



www.ptcauto.com

PTC, Inc. AG bearings Interchange	3-9
Round Bore Non-Relubricable	10-12
Square Bore Non-Relubricable	13-14
Round & Square Bore Non-Relubricable	15
Round Bore Relubricable	16-18
Square Bore Relubricable	19-20
Hex Bore Series	21-23
200 Series	24-26
special Bearings	27
Flange Disc Units	28-29
87000 Series	30
88000 Series	31
Mast Guide Bearings	32
Special Bearings	33
Special Bearings & Assemblies	34
Special Assemblies	35
Engineering Information	36-41

PTC, Inc. AG Bearings Interchange

PTC, Inc.	PEER	TIMKEN/FAFNIR	BCA	LINK-BELT	NTN
PTW208PPB2	W208PPB2	W208PPB2		24R6-208E3	2AC08-1 1/2
PTDS208TT4	W208PPB4	W208PPB4	DS208TT4		
PTDC208TT5	W208PP5	W208PP5	DC208TT5	18SB5-2E08E3	5AS08-1 1/8
PTDS208TT5	W208PPB5	W208PPB5	DS208TT5	18S5-2E08E3	1AS08-1 1/8
PTDC208TT6	W208PP6	W208PP6	DC208TT6	16SB5-208E3	
PTDS208TT6	W208PPB6	W208PPB6	DS208TT6	16S5-208E3	1AS08-1
PTDS208TT7	W208PPB7	W208PPB7	DS208TT7	19R208E3	1AC08-1 3/16
PTDC208TT8	W208PP8	W208PP8	DC208TT8	18SB2-2E08E3	6AS09-1 1/8
PTDS208TT8	W208PPB8	W208PPB8	DS208TT8	18S2-2E08E3	2AS08-1 1/8
PTDC208TT9	W208PP9	W208PP9	DC208TT9		
PTDS208TT9	W208PPB9	W208PPB9	DS208TT9	16S2-208E3	2AS08-1 1/8
PTDC208TT10	W208PP10	W208PP10	DC208TT10	24RB8-208E3	
PTW208PPB10	W208PPB10	W208PPB10			
PTDS208TT11	W208PPB11	W208PPB11	DS208TT11	14S4-208E3	4AS08-7/8
PTDS208TT12A	W208PPB12	W208PPB12	DS208TT12A	18S4-2E08E3	4AS08-1 1/8
PTDS208TT13	W208PPB13	W208PPB13	DS208TT13	14S5-208E3	1AS08-7/8
PTW208PP20	W208PP20	W208PP20			
PTDS208TT2A	W208PPB23	W208PPB23	DS208TT2A		
PTDS208TTR2	GW208PPB2	GW208PPB2	DS208TTR2		
PTDS208TTR5	GW208PPB5	GW208PPB5	DS208TTR5	18SG7-2E08E3	1AS08-1 5/32D1
PTDS208TTR6	GW208PPB6	GW208PPB6	DS208TTR6	16SG7-208E3	
PTDS208TTR7	GW208PPB7	GW208PPB7	DS208TTR7		
PTDS208TTR8	GW208PPB8	GW208PPB8	DS208TTR8	18SG2-2E08E3	2AS08-1 1/8 D1
PTDC208TTR17	GW208PP17	GW208PP17	DC208TTR17		
PTGW208PPB17	GW208PPB17	GW208PPB17			
PTGW208PPB23	GW208PPB23	GW208PPB23			
PTDS209TT2	W209PPB2	W209PPB2	DS209TT2	R3-209E3	
PTDS209TT4	W209PPB4	W209PPB4	DS209TT4	24R3-209E3	3AC09-1/2
PTDC209TT5	W209PP5	W209PP5	DC209TT5		
PTDS209TT5	W209PPB5	W209PPB5	DS209TT5	20S2-209E3	2AS09-1 1/4
PTDS209TT7	W209PPB7	W209PPB7	DS209TT7	20S4-209E3	

PTC, Inc. AG Bearings Interchange

PTC, Inc.	PEER	TIMKEN/FAFNIR	BCA	LINK-BELT	NTN
PTDS209TT11	W209PPB11	W209PPB11	DS209TT11	Timken/Fafnir	
PTDS209TTR2	GW209PPB2	GW209PPB2	DS209TTR2	RG3-209E3	3AC09D1
PTDS209TTR4	GW209PPB4	GW209PPB4	DS209TTR4	24RG3-209E3	3AC09-1 1/2 D1
PTDS209TTR5	GW209PPB5	GW209PPB5	DS209TTR5		
PTDS209TTR8	GW209PPB8	GW209PPB8	DS209TTR8	20SG5-209E3	
PTDS209TTR10	GW209PPB11	GW209PPB11	DS209TTR10		1AC09D1V1
PTDC210TT2	W210PP2	W210PP2	DC210TT2	31RB3-210E3	7AC10-1 15/16
PTDS210TT2	W210PPB2	W210PPB2	DS210TT2	31R3-210E3	3AC10-1 15/16
PTDC210TT4	W210PP4	W210PP4	DC210TT4	18SB3-210E3	7AS10-1 1/8
PTDS210TT4	W210PPB4	W210PPB4	DS210TT4	18S3-210E3	3AS10-1 3/4
PTDS210TT5	W210PPB5	W210PPB5	DS210TT5	28R3-210E3	3AC10-1 3/4
PTDS210TT6	W210PPB6	W210PPB6	DS210TT6	18S2-210E3	2AS10-1 1/8
PTDC210TT8	W210PP8	W210PP8	DC210TT8		
PTW210PPB9	W210PPB9	W210PPB9			
PTDS210TTR2	GW210PPB2	GW210PPB2	DS210TTR2	31RG3-210E3	3AC10-1 15/16 D1
PTDC210TTR2	GW210PP2	GW210PP2	DC210TTR2		
PTDC210TTR3	GW210PP3	GW210PP3	DC210TTR3		
PTDC210TTR4	GW210PP4	GW210PP4	DC210TTR4	18SBG3-210E3	7AS10-1 1/8 D1
PTDS210TTR4	GW210PPB4	GW210PPB4	DS210TTR4	18SG3-210E3	
PTDS210TTR5R	GW210PPB5	GW210PPB5	DS210TTR5R	28RG3-210E3	3AC10-1 3/4 D1
PTDS210TTR6	GW210PPB6	GW210PPB6	DS210TTR6		
PTDC210TTR9	GW210PP9	GW210PP9	DC210TTR9		
PTDS210TTR9	GW210PPB9	GW210PPB9	DS210TTR9		
PTDC211TT2	W211PP2	W211PP2	DC211TT2	35RB3-211E3	7AC11-2 3/16
PTDS211TT2	W211PPB2	W211PPB2	DS211TT2	35R3-211 E3	3AC11-2 3/16
PTDC211TT3	W211PP3	W211PP3	DC211TT3	24SB3-211E3	7AS11-1 1/2
PTDS211TT3	W211PPB3	W211PPB3	DS211TT3	24S3-211E3	3AS11-1 1/2
PTDS211TT4	W211PPB4	W211PPB4	DS211TT4		
PTDC211TT5	W211PP5	W211PP5	DC211TT5		6AS11-1 1/2V1
PTDS211TT6	W211PPB6	W211PPB6	DS211TT6		4AS11-1 1/2
PTDS211TT8	W211PPB8	W211PPB8	DS211TT8		



PTC, Inc. AG Bearings Interchange

PTC, Inc.	PEER	TIMKEN/FAFNIR	BCA	LINK-BELT	NTN
PTDC211TTR2	GW211PP2	GW211PP2	DC211TTR2	35RBG3-211E3	7AS11-1 1/2 D1
PTDS211TTR2	GW211PPB2	GW211PPB2	DS211TTR2	35RG3-211E3	3AC11-2 3/16 D1
PTDC211TTR3	GW211PP3	GW211PP3	DC211TTR3	24SBG3-211E3	7AS11-1 1/2 D1
PTDS211TTR3	GW211PPB3	GW211PPB3	DS211TTR3	24SG3-211E3	3AS11-1 1/2 D1
PTGW211PP5	GW211PP5	GW211PP5			
PTDS211TTR8	GW211PPB8	GW211PPB8	DS211TTR8		
PTDS211TTR9	GW211PPB9	GW211PPB9	DS211TTR9		
PTGW211PPB10	GW211PPB10	GW211PPB10			
PTDS211TTR13	GW211PPB13	GW211PPB13	DS211TTR13		
PTDS211TTR14	GW211PPB14	GW211PPB14	DS211TTR14		
PTGW211PPB15	GW211PPB15	GW211PPB15			
PTDC211TTR3E	GW211PP17	GW211PP17	DC211TTR3E		
PTGW211PPB17	GW211PPB17	GW211PPB17			
PTDC211TTR21	GW211PP25	GW211PP37	DC211TTR21		
PTGW212PP50	GW212PP50	GW212PP50			
PTW214PP2	W214PP2	W214PP2			
PTW214PPB2	W214PPB2	W214PPB2			
PTW214PPB9	W214PPB9	W214PPB9			
PTDC214TTR2	GW214PP2	GW214PP2	DC214TTR2		
PTGW214PPB2	GW214PPB2	GW214PPB2			3AC14D1
PTDS214TTR3	GW214PPB3		DS214TTR3		
PTGW214PPB4	GW214PPB4	GW214PPB4			3AS14-2D1
PTDS214TTR5	GW214PPB5	GW214PPB5	DS214TTR5		
PTDS214TTRA	GW214PPB6		DS214TTRA		
PTDC216TTR2	GW216PP2	GW216PP2	DC216TTR2		
PTGW216PPB4	GW216PPB4	GW216PPB4			
PTGW309PPB2	GW309PPB2	GW309PPB2			
PTGW315PPB11	GW315PPB11	GW315PPB11			
PTRX84	RX84				
PTX365	X365				
PT202KRR3	202KRR3	202KRR3			

PTC, Inc. AG Bearings Interchange

PTC, Inc.	PEER	TIMKEN/FAFNIR	BCA	LINK-BELT	NTN
PT202FFH8	202NPP9	202NPP9	202FFH8		
PT202RRE	202RRE	J202KRR8	202RRE		
PTCF5202-2RST-8	CF5202-2RST-8				DF0109LLPK1
PT203K	203JD		203K		5X0366LUL
PT203KR2	203KR2	203KR2			
PT203RRAR10	203KRR2	203KRR2	203RRAR10	126115	
PT8984YY	203KRR3	203KRR3	8984YY	BS226119	
PT203RRAR8	203KRR5	203KRR5	203RRAR8		
PT203RRH10	203KRR6	203KRR6	203RRH10		
PT203KRR7	203KRR7				
PT203NPP9	203NPP9	203NPP9			
PT5203KYY2	5203KYY2	5203KYY2			
PT204BBAR	29504-2RST	204RR6	204BBAR		SC0451IIC3
PTHPC011GP	204KRR2	204KRR2	HPC011GP	11KB204N	1AH04-11/16
PT204KRR3	204KRR3				
PT204KRRB2	204KRRB2	204KRRB2		11K204N	
PT204FVMN	204JY3	204RY2	204FVMN		
PT204FGB	204KRD4	204KRD4	204FGB		
PT204KPP2	204KPP2				
PT204KPPB2	204KPPB2				
PT204BBE	204RR8	204RR8	204BBE		
PT204KRR14	204KRR14	204KRR14			
PT205RVA	205KRP2	205KRP2	205RVA		
PT205RHN	205KR3	205KR3	205RHN		
PT205TNJ	205KP6	205KP6	205TNJ		
PT205-TNK	205KP8	205KP	205-TNK		
PT205KPP2	205KPP2				
PT205KRP2-P6F	205KRP2-P6F				
PTSE689	205KRP2-P6F-5YD-FM		SE689		
PT205KPPB2	205KPPB2				
PTHPC014GP	205KRR2	205KRR2	HPC014GP	14KB205N	1AH05-7/8

PTC, Inc. AG Bearings Interchange

PTC, Inc.	PEER	TIMKEN/FAFNIR	BCA	LINK-BELT	NTN
PTHPS014GP	205KRRB2	205KRRB2	HPS014GP	14K205N	2AH05-7/8
PT205-VVA	205KYY3	205KYY3	205-VVA		
PT205TTH	205PPB7	205PPB7	205TTH	BS217948N	
PT205PP8	205PP8	205PP8			
PT205TTB	205PP9	205PP9	205TTB	BS225817	
PT205PP10	205PP10	205PP10			
PT205TTP	205PP12	205PP12	205TTP		
PT205GP					
PT205DDS 3/4					
PT205KRR6	205KRR6				
PTFHRL6005-BB9105	FHRL6005-BB9105				
PTG206KPPB4	G206KPPB4				
PT206K14	206K14	206K14			
PT206KP2	206KP2	206KP2			
PT206GGH	206KPP16	206KPP16	206GGH		
PTHPC100GP	206KRR6	206KRR6	HPC100GP	16KB206N	1AH06-1
PTHPS100GP	206KRRB6	206KRRB6	HPS100GP	16K206N	2AH06-1
PTHPC100TP			HPC100TP		
PT206KRP4	206KRP4	206KRP4			
PTHPC100TPD	206KPPB5	206KPPB5	HPC100TPD		
PT206KRRB	206KRRB				
PT206KPP4	206KPP4				
PT206KPPB6	206KPPB6				
PT206KRR8	206KRR8				
PT5206KPP3	5206KPP3	5206KPP3			
PTHPS102GR	G207KPPB2	G207KPPB2	HPS102GR		
PT207KRR14	207KRR14	207KRR14			
PTHPS102GP	207KRRB9	207KRRB9	HPS102GP	18K207N	2AH07-1 1/8
PTHPS102GPE	207KRRB12	207KRRB12	HPS102GPE		
PTSPS105GPN	207KRRB12SPL		SPS105GPN		
PT207KYY	207KYY	207KYY			

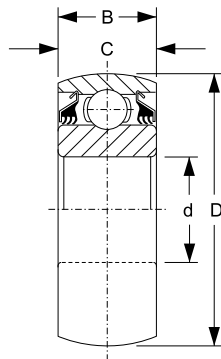
PTC, Inc. AG Bearings Interchange

PTC, Inc.	PEER	TIMKEN/FAFNIR	BCA	LINK-BELT	NTN
PT207KRR	207KRR				
PTHPS103GP2	207KPP3		HPS103GP2		
PTHPS103TP2	207KPPB3		HPS103TP2		
PT207KRR9	207KRR9				
PT207KRR12	207KRR12				
PTST627	ST627				
PT88107	88107		88107		
PT208KRR2	208KRR2				
PT208KP2	208KP2				
PT208KR4	208KR4				
PTHPS104TR	GW208PPB22	GW208PPB22	HPS104TR		
PTGW208KRRB5	GW208KRRB5				
PTW208K2	W208K2	W208K2			DC208-TT2
PTDC208TT	W208K3	W208K3	DC208TT		DC208
PTHPS106GPN	W208KRRB6	W208KRRB6	HPS106GPN		
PTHPS104TP	W208PPB16	W208PPB16	HPS104TP	20K5-208E3	A2AH08-1 1/4V2
PTW208KRR8	W208KRR8				
PTHPC104TPA	W208PP21		HPC104TPA		
PT208KRR4	208KRR4	208KRR4			
PT208NPPB5	208NPPB5	208NPPB5			
PT88128R					
PTHPS108GPH	209KRRB2	209KRRB2	HPS108GPH	24K209N	2AH09-1 1/2
PTG209KPPB2	G209KPPB2				
PTG5209KYYB2	G5209KYYB2				
PT210PP20	210PP20				
PT210PPB20	210PPB20				
PTG210KPPB2	G210KPPB2				
PTDC210	W210		DC210		
PTWIR210-31	WIR210-31				
PTGC211-32-NLC	GC211-32-NLC	GC1200KPPB2			
PTGW211PP17-HDT-211-H	GW211PP17-HDT-211-H				

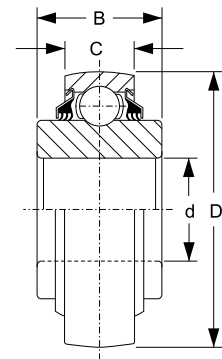
PTC, Inc. AG Bearings Interchange

PTC, Inc.	PEER	TIMKEN/FAFNIR	BCA	LINK-BELT	NTN
PTWIR211-33	WIR211-33				
PTWIR212-39	WIR212-39				
PT8445	W213-8445		8445		
PTGW214PPB6-FBD	GW214PPB6-FBD				
PTFD208R1					
PTFD209RM	FD209-1 1/8SQ	DHU1 1/8S-209	FD209RM		
PTFD209RE					
PTFD209RK	FD209-1 1/4SQ	DHU1 1/4S-209	FD209RK		
PTFD211RM	FD211-1 1/2SQ	DHU1 1/2S-211	FD211RM		
PTFD211RE	FD211-1 3/4RD	DHU1 3/4R-211	FD211RE		
PTFD211RK	FD211-1 15/16RD		FD211RK		
PTFD211RP					
PTFD211RB	FD211-2 3/16RD	DHU2 3/16R-211	FD211RB		
PTFD211RJA	FD211-1 15/16RDC		FD211RJA		
PTFD209RA	ST491A	491A	FD209RA		
PTFD209RB	ST491B	DHU1 1/2R-209	FD209RB		
PTST740					
PTMG305DD	MG305SZZ-3		MG305DD		
PTMG305DDA	MG305SZZ-6		MG305DDA		
PTMG305-2RS-3	MG305SZZ-7				
PTMG306DD	MG306SZZ-5		MG306DD		
PTMG307FFH	MG307SZZ-10		MG307FFH		
PTMG307FFA			MG307FFA		
PTMG307-2RS-4	MG307SZZ-18				
PTMG307-2RS-5	MG307SZZ-14				
PTMG308FFA	MG308SZZ-5		MG308FFA		
PTMG309DDA	MG309SZZ-4		MG309DDA		
PTMG309-2RS-3	MG309SZZ-5				
PTMG311-2RS-1	MG311SZZ-1				

Round Bore Non-Relubricable



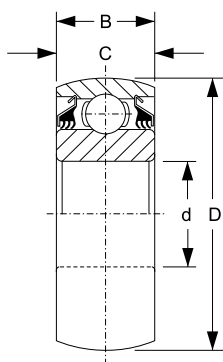
TYPE 1



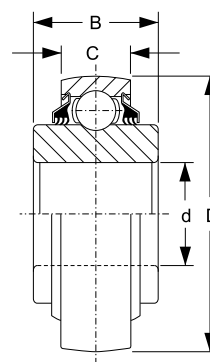
TYPE 2

Bearing No.	Type	Dimensions(in./mm)				Basic Load Rating Cr(KN)	Basic Static Load Rating Cor(KN)	Mass (kg)
		d	D	B	C			
PTW208PPB2	2	1.5005	3.1496	1.6880	0.7087	29.60	18.20	0.720
		38.113	80.000	42.875	18.000			
PTDS208TT4	1	1.1880	3.1496	1.1880	1.1880	29.60	18.20	0.636
		30.175	80.000	30.180	30.180			
PTDS208TT7	2	1.1880	3.1496	1.1880	0.7087	29.60	18.20	0.638
		30.175	80.000	30.180	18.000			
PTW208PPB10	2	1.5005	3.1496	1.6880	0.8268	29.60	18.20	0.641
		38.113	80.000	42.875	21.000			
PTDS208TT2A	2	1.5005	3.1496	1.6880	1.1880	29.60	18.20	0.685
		38.113	80.000	42.875	30.180			
PTDS209TT2	1	1.7717	3.3465	1.1880	1.1880	31.85	20.80	0.587
		45.000	85.000	30.180	30.180			
PTDS209TT4	1	1.5350	3.3465	1.1880	1.1880	31.85	20.80	0.681
		38.990	85.000	30.180	30.180			

Round Bore Non-Relubricable



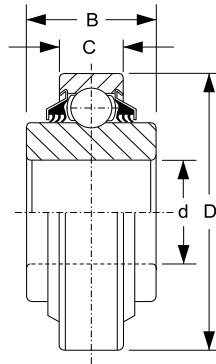
TYPE 1



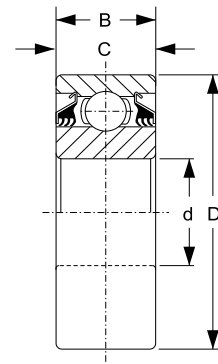
TYPE 2

Bearing No.	Type	Dimensions(in./mm)				Basic Load Rating Cr(KN)	Basic Static Load Rating Cor(KN)	Mass (kg)
		d	D	B	C			
PTDS209TT11	2	1.7810	3.3465	1.4380	0.8661	31.85	20.80	0.614
		45.237	85.000	36.530	22.000			
PTDS210TT2	1	1.9380	3.5433	1.1880	1.1880	35.10	23.20	0.675
		49.225	90.000	30.180	30.180			
PTDS210TT5	1	1.7850	3.5433	1.1880	1.1880	35.10	23.20	0.725
		45.339	90.000	30.180	30.180			
PTW210PPB9	2	1.9450	3.5433	1.4380	0.9055	35.10	23.20	0.645
		49.403	90.000	36.530	23.000			
PTDS210TT2	1	2.1880	3.9370	1.3126	1.3126	43.55	29.20	0.944
		55.575	100.00	33.340	33.340			
PTDS211TT8	2	2.1880	3.9370	1.3126	0.9843	43.55	29.20	0.890
		55.575	100.00	33.340	25.000			
PTW214PPB2	1	2.7559	4.9213	1.5630	1.5630	60.80	45.00	1.665
		70.000	125.00	39.690	39.690			
PTW214PPB9	2	2.7660	4.9213	1.7500	1.1024	60.80	45.00	1.785
		70.256	125.00	44.450	28.000			

Round Bore Non-Relubricable



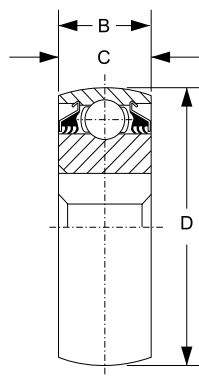
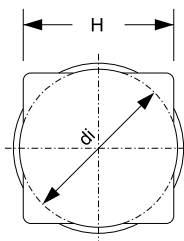
TYPE 1



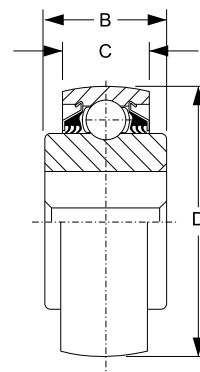
TYPE 2

Bearing No.	Type	Dimensions(in./mm)				Basic Load Rating Cr(KN)	Basic Static Load Rating Cor(KN)	Mass (kg)
		d	D	B	C			
PTDC208TT10	1	1.5005	3.1496	1.6880	0.8268	29.60	18.20	0.736
		38.113	80.000	42.875	21.000			
PTDC210TT2	2	1.9380	3.5433	1.1880	1.1880	35.10	23.20	0.687
		49.225	90.000	30.180	30.180			
PTDC210TT8	2	1.5300	3.5433	1.1880	1.1880	35.10	23.20	0.836
		38.862	90.000	30.180	30.180			
PTDC211TT2	2	2.1880	3.9370	1.3126	1.3126	43.55	29.20	1.010
		55.575	100.00	33.340	33.340			
PTW214PP2	2	2.7559	4.9213	1.5630	1.5630	60.80	45.00	1.902
		70.000	125.00	39.690	39.690			

Square Bore Non-Relubricable



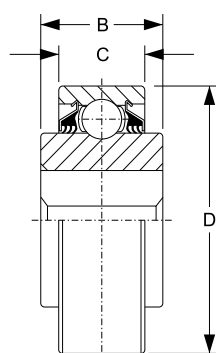
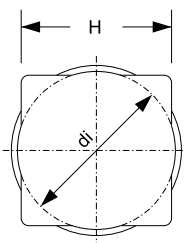
TYPE 1



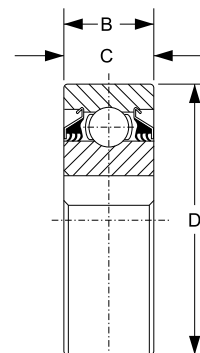
TYPE 2

Bearing No.	Type	Dimensions(in./mm)					Basic Load Rating Cr(KN)	Basic Static Load Rating Cor(KN)	Mass (kg)
		H	di	D	B	C			
PTDS208TT5	2	1.1800	1.2598	3.1496	1.4380	0.7090	29.60	18.20	0.590
		29.970	32.000	80.000	36.530	18.000			
PTDS208TT6	2	1.0300	1.1023	3.1496	1.4380	0.7090	29.60	18.20	0.652
		26.162	28.000	80.000	36.530	18.000			
PTDS208TT8	2	1.1800	1.2598	3.1496	1.4380	1.1880	29.60	18.20	0.735
		29.970	32.000	80.000	36.530	30.180			
PTDS208TT9	2	1.0300	1.1023	3.1496	1.4380	1.1880	29.60	18.20	0.785
		26.162	28.000	80.000	36.530	30.180			
PTDS208TT13	2	0.9043	0.9448	3.1496	1.4380	0.7090	29.60	18.20	0.690
		22.970	24.000	80.000	36.530	18.000			
PTDS209TT5	2	1.2900	1.3779	3.3465	1.4380	1.1880	31.85	20.80	0.945
		32.766	35.000	85.000	36.530	30.180			
PTDS210TT4	1	1.1800	1.2598	3.5433	1.1880	1.1880	35.10	23.20	0.940
		29.970	32.000	90.000	30.180	30.180			
PTDS210TT6	2	1.1800	1.2598	3.5433	1.4380	1.1880	35.10	23.20	1.085
		29.970	32.000	90.000	36.530	30.180			
PTDS211TT3	1	1.5311	1.6535	3.9370	1.3126	1.3126	43.55	29.20	1.208
		38.890	42.000	100.00	33.340	33.340			

Square Bore Non-Relubricable



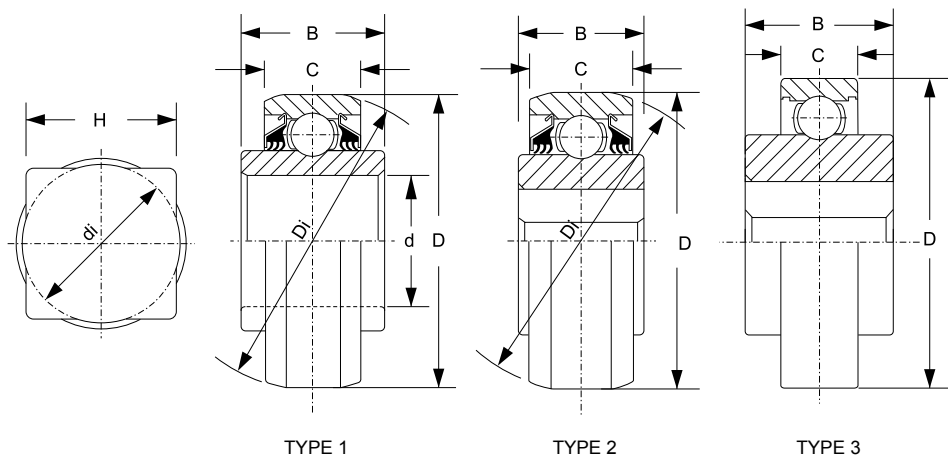
TYPE 1



TYPE 2

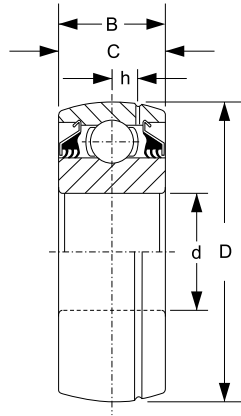
Bearing No.	Type	Dimensions(in./mm)					Basic Load Rating Cr(KN)	Basic Static Load Rating Cor(KN)	Mass (kg)
		H	di	D	B	C			
PTDC208TT5	1	1.1800	1.2598	3.1496	1.4380	0.7090	29.60	18.20	0.600
		29.970	32.000	80.000	36.530	18.000			
PTDC208TT6	1	1.0300	1.2598	3.1496	1.4380	0.7090	29.60	18.20	0.662
		26.162	32.000	80.000	36.530	18.000			
PTDC208TT8	1	1.1800	1.2598	3.1496	1.4380	1.1880	29.60	18.20	0.709
		29.970	32.000	80.000	36.530	30.180			
PTDC208TT9	1	1.0300	1.1023	3.1496	1.4380	1.1880	29.60	18.20	0.832
		26.162	28.000	80.000	36.530	30.180			
PTW208PP20	1	1.1800	1.2598	3.1496	1.4380	0.7090	29.60	18.20	0.600
		29.970	32.000	80.000	36.530	18.000			
PTDC209TT5	1	1.2900	1.3780	3.3460	1.4380	1.1880	31.85	20.80	0.810
		32.776	35.000	85.000	36.530	30.180			
PTDC210TT4	2	1.1800	1.2598	3.5433	1.1880	1.1880	35.10	23.20	1.049
		29.970	32.000	90.000	30.180	30.180			
PTDC211TT3	2	1.5311	1.6535	3.9370	1.3126	1.3126	43.55	29.20	1.271
		38.890	42.000	100.00	33.340	33.340			
PTDC211TT5	1	1.5311	1.6535	4.0000	1.7500	1.4380	43.55	29.20	1.562
		38.890	42.000	101.60	44.450	36.530			

Round And Square Bore Non-Relubricable

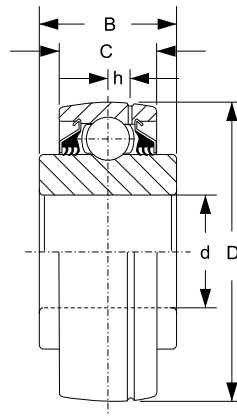


Bearing No.	Type	Dimensions(in./mm)							Basic Load Rating Cr(KN)	Basic Static Load Rating Cor(KN)	Mass (kg)
		d	H	di	D	Di	B	C			
PTDS208TT11	2		0.9043	0.9448	3.3760	3.4374	1.4380	1.1880	29.60	18.20	0.956
			22.970	24.000	85.750	87.310	36.530	30.180			
PTDS208TT12A	2		1.1800	1.2598	3.3760	3.4374	1.4380	1.1880	29.60	18.20	0.863
			29.970	32.000	85.750	87.310	36.530	30.180			
PTDS209TT7	2		1.2900	1.3701	3.3760	3.4374	1.4380	1.1880	31.85	20.80	0.788
			32.766	34.800	85.750	87.310	36.530	30.180			
PTDS211TT4	1	2.1880			3.9370	4.0276	2.1874	1.3126	43.55	29.20	1.208
		55.575			100.00	102.30	55.560	33.340			
PTDS211TT6	2		1.5311	1.6535	4.0772	4.1299	1.7500	1.4380	43.55	29.20	1.610
			38.890	42.000	103.56	104.90	44.450	36.520			
PTST627	1	2.1875			3.9370	3.9567	2.1874	1.3126	43.55	29.20	1.218
		55.563			100.00	100.50	55.560	33.340			
PTW208K2	3		1.0300	1.1023	3.1496		1.6880	0.7087	29.60	18.20	0.812
			26.162	28.000	80.000		42.875	18.000			
PTDC208TT	3		1.1800	1.2598	3.1496		1.6880	0.7087	29.60	18.20	0.725
			29.970	32.000	80.000		42.875	18.000			

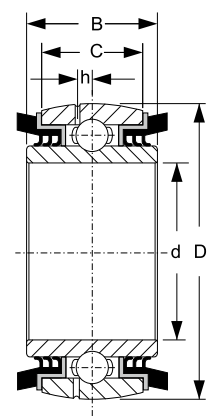
Round Bore Relubricable



TYPE 1



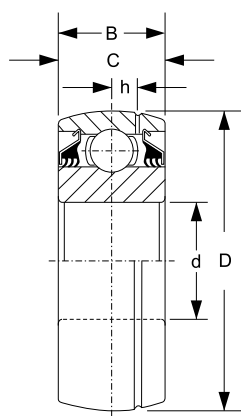
TYPE 2



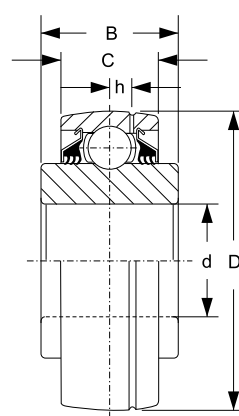
TYPE 3

Bearing No.	Type	Dimensions in./mm)					Basic Load Rating Cr(KN)	Basic Static Load Rating Cor(KN)	Mass (kg)
		d	D	B	C	h			
PTDS208TTR2	2	1.5005 38.113	3.1496 80.000	1.6880 42.875	0.7087 18.000	0.2480 6.300	29.60	18.20	0.598
PTDS208TTR7	2	1.1880 30.175	3.1496 80.000	1.1880 30.180	0.7087 18.000	0.2480 6.300	29.60	18.20	0.558
PTGW208PPB23	2	1.5005 38.113	3.1496 80.000	1.6880 42.875	1.1880 30.180	0.2480 6.300	29.60	18.20	0.817
PTDS209TTR2	1	1.7717 45.000	3.3465 85.000	1.1880 30.180	1.1880 30.180	0.2598 6.600	31.85	20.80	0.587
PTDS209TTR4	1	1.5350 38.990	3.3465 85.000	1.1880 30.180	1.1880 30.180	0.2598 6.600	31.85	20.80	0.681
PTDS209TTR10	2	1.7810 45.237	3.3465 85.000	1.4380 36.530	0.8661 22.000	0.2598 6.600	31.85	20.80	0.614
PTDS210TTR2	1	1.9380 49.225	3.5433 90.000	1.1880 30.180	1.1880 30.180	0.2598 6.600	35.10	23.20	0.675
PTDS210TTR5R	1	1.7850 45.339	3.5433 90.000	1.1880 30.180	1.1880 30.180	0.2598 6.600	35.10	23.20	0.725
PTDS210TTR9	2	1.9450 49.403	3.5433 90.000	1.4380 36.530	0.9055 23.000	0.2598 6.600	35.10	23.20	0.645
PTAA28184	3	1.7500 44.450	3.3465 85.000	1.6060 40.792	1.1875 30.163	0.2598 6.600	31.85	20.80	0.758
PTAA28186	3	2.1875 55.563	3.9370 100.00	1.8110 45.999	1.3140 33.376	0.3020 7.670	43.55	29.20	0.985

Round Bore Relubricable



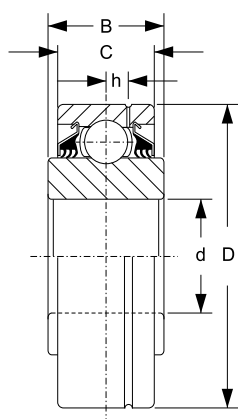
TYPE 1



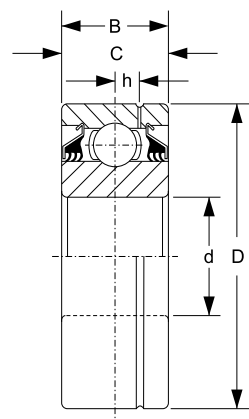
TYPE 2

Bearing No.	Type	Dimensions(in./mm)					Basic Load Rating Cr(KN)	Basic Static Load Rating Cor(KN)	Mass (kg)
		d	D	B	C	h			
PTDS211TTR2	1	2.1880	3.9370	1.3126	1.3126	0.3020	43.55	29.20	0.944
		55.575	100.00	33.340	33.340	7.670			
PTDS211TTR8	2	2.1880	3.9370	1.3126	0.9843	0.3020	43.55	29.20	0.890
		55.575	100.00	33.340	25.000	7.670			
PTDS211TTR9	2	2.1950	3.9370	1.5622	0.9843	0.3020	43.55	29.20	0.917
		55.753	100.00	39.680	25.000	7.670			
PTGW211PPB10	1	1.9380	3.9370	1.3126	1.3126	0.3020	43.55	29.20	1.026
		49.225	100.00	33.340	33.340	7.670			
PTDS211TTR13	2	1.7850	3.9370	1.3126	0.9843	0.3020	43.55	29.20	1.105
		45.339	100.00	33.340	25.000	7.670			
PTDS211TTR14	2	2.0150	3.9370	1.3126	0.9843	0.3020	43.55	29.20	0.990
		51.180	100.00	33.340	25.000	7.670			
PTGW211PPB15	2	2.1880	3.9370	1.5622	0.9843	0.3020	43.55	29.20	0.928
		55.575	100.00	39.680	25.000	7.670			
PTGW214PPB2	1	2.7559	4.9213	1.5630	1.5630	0.3543	60.80	45.00	1.665
		70.000	125.00	39.690	39.690	9.000			
PTDS214TTR3	1	1.9380	4.9213	1.5622	1.5622	0.3543	60.80	45.00	2.253
		49.225	125.00	39.680	39.680	9.000			
PTDS214TTR5	2	2.7559	4.9213	2.4380	1.5620	0.3543	60.80	45.00	2.240
		70.000	125.00	61.925	39.680	9.000			
PTDS214TTRA	2	2.6882	4.9213	2.6874	1.1024	0.3543	60.80	45.00	2.320
		68.280	125.00	68.260	28.000	9.000			
PTGW309PPB2	2	1.7717	3.9370	1.8748	1.0630	0.3543	53.00	32.00	1.550
		45.000	100.00	47.620	27.000	9.000			
PTGW315PPB11	1	2.7559	6.2992	2.6874	2.6874	0.5512	113.30	76.80	5.20
		70.000	160.00	68.260	68.260	14.000			

Round Bore Relubricable



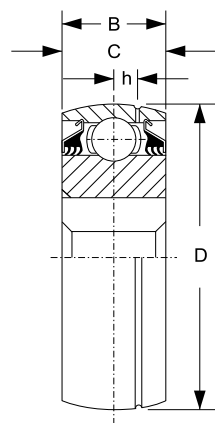
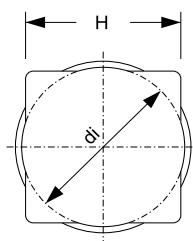
TYPE 1



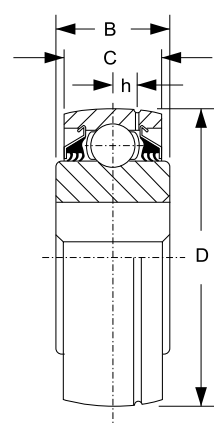
TYPE 2

Bearing No.	Type	Dimensions(in./mm)					Basic Load Rating Cr(KN)	Basic Static Load Rating Cor(KN)	Mass (kg)
		d	D	B	C	h			
PTDC210TTR2	2	1.9380	3.5433	1.1880	1.1880	0.2598	35.10	23.20	0.687
		49.225	90.000	30.180	30.180	6.600			
PTDC210TTR3	2	1.4067	3.5433	1.1880	1.1880	0.2598	35.10	23.20	1.022
		35.730	90.000	30.180	30.180	6.600			
PTDC210TTR9	1	1.9450	3.5433	1.4380	0.9055	0.2598	35.10	23.20	0.660
		49.403	90.000	36.530	23.000	6.600			
PTDC211TTR2	2	2.1880	3.9370	1.3126	1.3126	0.3020	43.55	29.20	1.010
		55.575	100.00	33.340	33.340	7.670			
PTDC211TTR21	1	1.7800	3.9370	1.7500	1.3126	0.3020	43.55	29.20	1.212
		45.212	100.00	44.450	33.340	7.670			
PTDC214TTR2	2	2.7559	4.9213	1.5630	1.5630	0.3543	60.80	45.00	1.902
		70.000	125.00	39.690	39.690	9.000			

Square Bore Relubricable



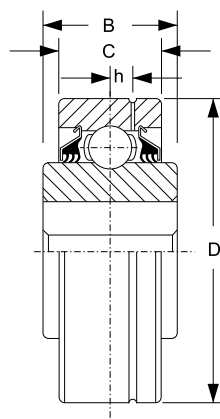
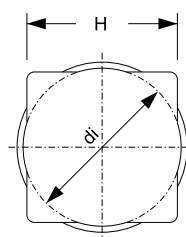
TYPE 1



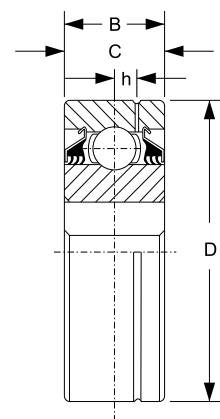
TYPE 2

Bearing No.	Type	Dimensions(in./mm)						Basic Load Rating Cr(KN)	Basic Static Load Rating Cor(KN)	Mass (kg)
		H	di	D	B	C	h			
PTDS208TTR5	2	1.1800 29.970	1.2598 32.000	3.1496 80.000	1.4380 36.530	0.8268 21.000	0.2480 6.300	29.60	18.20	0.590
PTDS208TTR6	2	1.0300 26.162	1.1023 28.000	3.1496 80.000	1.4380 36.530	0.8268 21.000	0.2480 6.300	29.60	18.20	0.652
PTDS208TTR8	2	1.1800 29.970	1.2598 32.000	3.1496 80.000	1.4380 36.530	1.1880 30.180	0.2480 6.300	29.60	18.20	0.735
PTGW208PPB17	2	1.1800 29.970	1.2598 32.000	3.3760 85.738	1.4380 36.530	1.1880 30.180	0.2480 6.300	29.60	18.20	0.826
PTDS209TTR5	2	1.2900 32.776	1.3780 35.000	3.3465 85.000	1.4380 36.530	1.1880 30.180	0.2598 6.600	31.85	20.80	0.795
PTDS209TTR8	2	1.2900 32.776	1.3780 35.000	3.3465 85.000	1.4380 36.530	0.8660 22.000	0.2598 6.600	31.85	20.80	0.682
PTDS210TTR4	1	1.1800 29.970	1.2598 32.000	3.5433 90.000	1.1880 30.180	1.1880 30.180	0.2598 6.600	35.10	23.20	0.880
PTDS210TTR6	2	1.1800 29.970	1.2598 32.000	3.5433 90.000	1.4380 36.530	1.1880 30.180	0.2598 6.600	35.10	23.20	1.085
PTDS211TTR3	1	1.5311 38.890	1.6535 42.000	3.9370 100.00	1.3126 33.340	1.3126 33.340	0.3020 7.670	43.55	29.20	1.208
PTGW211PPB17	2	1.5311 38.890	1.6535 42.000	3.9370 100.00	1.7500 44.450	1.3126 33.340	0.3020 7.670	43.55	29.20	1.420
PTGW214PPB4	1	2.0550 52.200	2.1614 54.900	4.9213 125.00	1.5630 39.690	1.5630 39.690	0.3543 9.000	60.80	45.00	2.157
PTGW216PPB4	2	1.7756 45.100	1.8898 48.000	5.5118 140.00	2.5000 63.500	1.1811 30.000	0.3604 9.200	71.50	54.30	3.406

Square Bore Relubricable



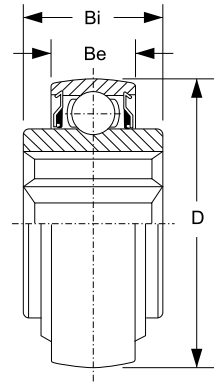
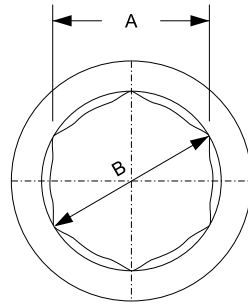
TYPE 1



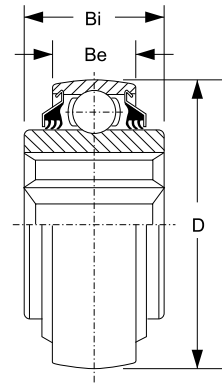
TYPE 2

Bearing No.	Type	Dimensions(in./mm)						Basic Load Rating Cr(KN)	Basic Static Load Rating Cor(KN)	Mass (kg)
		H	di	D	B	C	h			
PTDC208TTR17	1	1.1800	1.2598	3.3760	1.4380	1.1880	0.2480	29.60	18.20	0.870
		29.970	32.000	85.738	36.530	30.180	6.300			
PTDC210TTR4	2	1.1800	1.2598	3.5433	1.1880	1.1880	0.2598	35.10	23.20	0.971
		29.970	32.000	90.000	30.180	30.180	6.600			
PTDC211TTR3	2	1.5311	1.6535	3.9370	1.3126	1.3126	0.3020	43.55	29.20	1.270
		38.890	42.000	100.00	33.340	33.340	7.670			
PTGW211PP5	1	1.5311	1.6535	4.0000	1.7500	1.4380	0.3020	43.55	29.20	1.560
		38.890	42.000	101.60	44.450	36.530	7.670			
PTDC211TTR3E	1	1.5311	1.6535	3.9370	1.7500	1.3126	0.3020	43.55	29.20	1.446
		38.890	42.000	100.00	44.450	33.340	7.670			
PTGW212PP50	1	1.7400	1.9685	4.3307	2.0000	1.5060	0.3240	52.40	36.04	1.973
		45.466	50.000	110.00	50.800	38.252	8.230			
PTDC216TTR2	1	2.3150	2.5984	5.5118	2.5000	1.1811	0.3604	71.50	54.30	2.866
		58.800	66.000	140.00	63.500	30.000	9.200			

Hex Bore Series



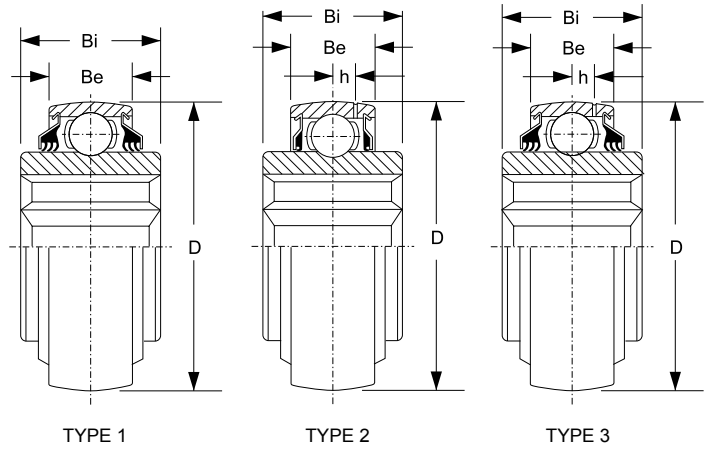
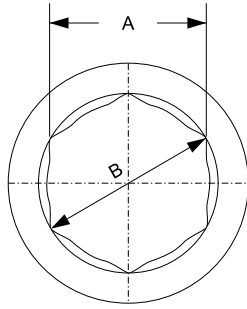
TYPE 1



TYPE 2

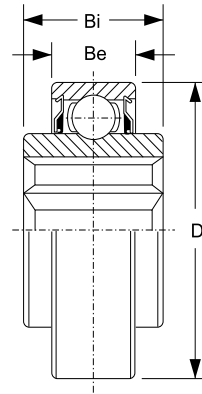
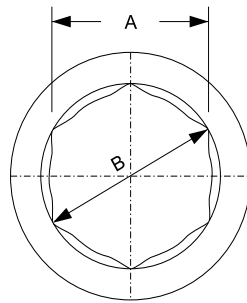
Bearing No.	Type	Dimensions(in./mm)					Basic Load Rating Cr(KN)	Basic Static Load Rating Cor(KN)	Mass (kg)
		A	B	D	Be	Bi			
PT204KRRB2	1	0.6950 17.653	0.7969 20.240	1.8504 47.000	0.5512 14.000	0.8250 20.955	12.80	6.60	0.145
PT204KPPB2	2	0.6950 17.653	0.7969 20.240	1.8504 47.000	0.5512 14.000	0.8250 20.955	12.80	6.60	0.145
PTHPS014GP	1	0.8760 22.250	1.0118 25.700	2.0472 52.000	0.5905 15.000	1.0000 25.400	14.00	7.85	0.213
PT205KPPB2	2	0.8760 22.250	1.0118 25.700	2.0472 52.000	0.5905 15.000	1.0000 25.400	14.00	7.85	0.213
PT205PPB13	2	0.8760 22.250	1.0118 25.700	2.0472 52.000	0.5905 15.000	1.0000 25.400	14.00	7.85	0.213
PTHPS100GP	1	1.0010 25.425	1.1520 29.260	2.4409 62.000	0.6299 16.000	0.9449 24.000	19.42	11.30	0.340
PT206KPPB6	2	1.0010 25.425	1.1520 29.260	2.4409 62.000	0.6299 16.000	0.9449 24.000	19.42	11.30	0.340
PTHPS103TP2	2	1.2512 31.780	1.4429 36.650	2.8346 72.000	0.6693 17.000	1.4843 37.700	25.64	15.30	0.398
PTHPS102GP	1	1.1260 28.600	1.2980 32.970	2.8346 72.000	0.6693 17.000	1.4843 37.700	25.64	15.30	0.454
PTHPS102GPE	1	1.1260 28.600	1.2980 32.970	2.8346 72.000	0.6693 17.000	0.9843 25.000	25.64	15.30	0.395
PTHPS108GPH	1	1.5010 38.125	1.7299 43.940	3.3465 85.000	0.7480 19.000	1.1811 30.000	31.85	20.80	0.571
PT210PPB20	2	1.2550 31.877	1.4491 36.808	3.5433 90.000	0.8661 22.000	1.4350 36.450	35.10	23.20	0.907
PTHPS106GPN	1	1.3760 34.950	1.5866 40.300	3.1496 80.000	0.8268 21.000	1.4378 36.520	29.60	18.20	0.594

Hex Bore Series

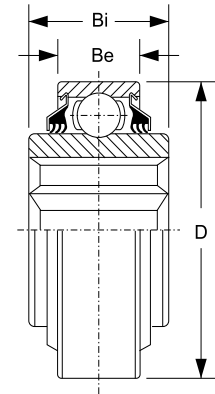


Bearing No.	Type	Dimensions(in./mm)						Basic Load Rating Cr(KN)	Basic Static Load Rating Cor(KN)	Mass (kg)
		A	B	D	Be	Bi	h			
PTG206KPPB4	3	1.0010	1.1561	2.4409	0.7087	0.9449	0.1969	19.42	11.30	0.213
		25.425	29.364	62.000	18.000	24.000	5.000			
PTHPS102GR	3	1.1260	1.2980	2.8346	0.7480	1.4843	0.2283	25.64	15.30	0.500
		28.600	32.970	72.000	19.000	37.700	5.800			
PTGW208KRRB5	2	1.2510	1.4500	3.1496	0.8661	1.4378	0.2480	29.60	18.20	0.690
		31.775	36.830	80.000	22.000	36.520	6.300			
PTHPS104TR	3	1.2510	1.4500	3.1496	0.8268	1.4378	0.2480	29.60	18.20	0.680
		31.775	36.830	80.000	21.000	36.520	6.300			
PTG209KPPB2	3	1.5010	1.7299	3.3465	0.7480	1.1811	0.2598	31.85	20.80	0.571
		38.125	43.940	85.000	19.000	30.000	6.600			
PTG5209KYYB2		1.5010	1.7332	3.3465	1.1811	1.2992		41.46	33.68	0.576
		38.125	44.023	85.000	30.000	33.000				
PTG210KPPB2	3	1.5010	1.7299	3.5433	0.8661	1.1811	0.2598	35.10	23.20	0.725
		38.125	43.940	90.000	22.000	30.000	6.600			
PTHPS104TP	1	1.2510	1.4429	3.1496	0.7087	1.4378		29.60	18.20	0.658
		31.775	36.650	80.000	18.000	36.520				

Hex Bore Series



TYPE 1

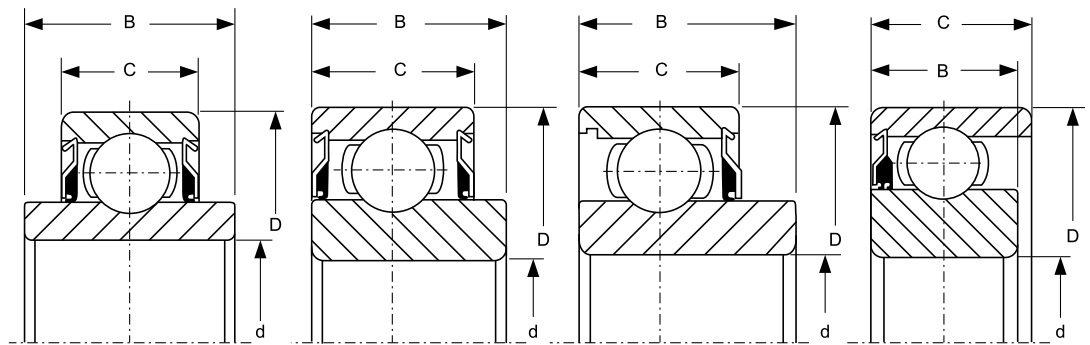


TYPE 2

Bearing No.	Type	Dimensions(in./mm)					Basic Load Rating Cr(KN)	Basic Static Load Rating Cor(KN)	Mass (kg)
		A	B	D	Be	Bi			
PT202KRR3	1	0.5630 14.300	0.6480 16.460	1.3780 35.000	0.4331 11.000	0.5118 13.000	7.75	3.60	0.054
PTHPC011GP	1	0.6950 17.653	0.7969 20.240	1.8504 47.000	0.5512 14.000	0.8252 20.960	12.80	6.60	0.154
PT204KPP2	2	0.6950 17.653	0.7969 20.240	1.8504 47.000	0.5512 14.000	0.8252 20.960	12.80	6.60	0.154
PTHPC014GP	1	0.8760 22.250	1.0118 25.700	2.0472 52.000	0.5905 15.000	1.0000 25.400	14.00	7.85	0.213
PT205KPP2	2	0.8760 22.250	1.0118 25.700	2.0472 52.000	0.5905 15.000	1.0000 25.400	14.00	7.85	0.213
PTHPC100GP	1	1.0010 25.425	1.1520 29.260	2.4409 62.000	0.6299 16.000	0.9449 24.000	19.42	11.30	0.340
PTHPC100TP	2	1.0010 25.425	1.1520 29.260	2.4409 62.000	0.6299 16.000	0.9449 24.000	19.42	11.30	0.340
PT206KPP4 *	2	1.0010 25.425	1.1561 29.364	2.4409 62.000	0.6299 16.000	1.0600 26.924	19.42	11.30	0.218
PT207KRR9	1	1.1260 28.600	1.2980 32.970	2.8346 72.000	0.6693 17.000	1.4843 37.700	25.64	15.30	0.454
PT207KRR12	1	1.1260 28.600	1.2980 32.970	2.8346 72.000	0.6693 17.000	0.9843 25.000	25.64	15.30	0.395
PTHPS103GP2	2	1.2512 31.780	1.4429 36.650	2.8346 72.000	0.6693 17.000	1.4843 37.700	25.64	15.30	0.417
PTW208KRR8	1	1.2510 31.775	1.4429 36.650	3.1496 80.000	0.7090 18.000	1.4380 36.530	29.60	18.20	0.658
PTHPC104TPA	2	1.2510 31.775	1.4429 36.650	3.1496 80.000	0.7090 18.000	1.4380 36.530	29.60	18.20	0.658
PTGC211-32-NLC	2	1.7512 44.480	2.0201 51.310	3.9370 100.00	0.9843 25.000	2.2500 57.150	43.55	29.20	1.519
PT210PP20	2	1.2550 31.877	1.4491 36.808	3.5433 90.000	0.8661 22.000	1.4350 36.450	35.10	23.20	0.907

*. Nylon Slinger Included.

200 Series



TYPE 1

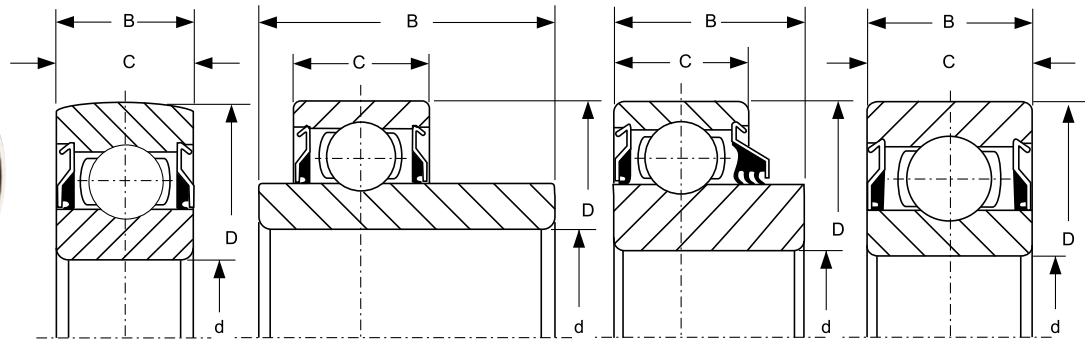
TYPE 2

TYPE 3

TYPE 4

Bearing No.	Type	Dimensions(in./mm)				Basic Load Rating Cr(KN)	Basic Static Load Rating Cor(KN)	Mass (kg)
		d	D	C	B			
PT203KR2	3	0.6253 15.883	1.5748 40.000	0.4724 12.000	0.5512 14.000	9.60	4.60	0.082
PT203RRAR10	1	0.6400 16.260	1.5748 40.000	0.4724 12.000	0.7200 18.288	9.60	4.60	0.077
PT203RRAR8	1	0.5150 13.081	1.5748 40.000	0.4724 12.000	0.7200 18.288	9.60	4.60	0.100
PT203RRH10	1	0.6400 16.256	1.8504 47.000	0.4724 12.000	0.7200 18.288	9.60	4.60	0.151
PT203KRR7	1	0.6693 17.000	1.5748 40.000	0.4724 12.000	0.6540 16.612	9.60	4.60	0.082
PT204KRR3	1	0.7874 20.000	1.8504 47.000	0.5512 14.000	0.6990 17.755	12.80	6.60	0.125
PT204FGB	2	0.6300 16.002	1.8504 47.000	0.5512 14.000	0.6860 17.420	12.80	6.60	0.164
PT204KRR14	1	0.6299 16.000	1.8504 47.000	0.5906 15.000	0.7200 18.288	12.80	6.60	0.175
PT205RHN	4	0.7500 19.050	2.0472 52.000	0.7000 17.780	0.6400 16.256	14.00	7.85	0.189
PT206KRR8	1	1.1811 30.000	2.4409 62.000	0.6299 16.000	0.9449 24.000	19.42	11.30	0.276
PT207KRR14	1	1.2530 31.826	2.8346 72.000	0.6693 17.000	0.9843 25.000	25.64	15.30	0.372
PT207KRR	1	1.3780 35.000	2.8346 72.000	0.6693 17.000	0.9843 25.000	25.64	15.30	0.359
PT208KRR2	1	1.5748 40.000	3.1496 80.000	0.8268 21.000	1.0630 27.000	29.60	18.20	0.530
PT208KRR4	1	1.5312 38.892	3.1496 80.000	0.8268 21.000	1.0830 27.508	29.60	18.20	0.582

200 Series



TYPE 1

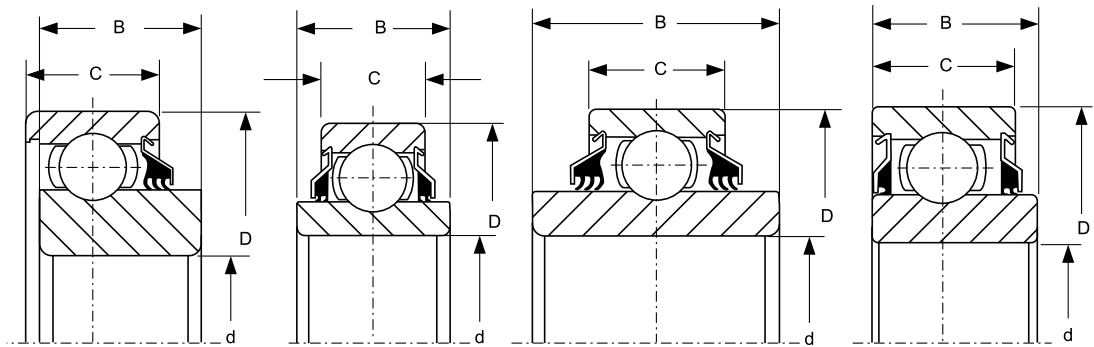
TYPE 2

TYPE 3

TYPE 4

Bearing No.	Type	Dimensions(in./mm)				Basic Load Rating Cr(KN)	Basic Static Load Rating Cor(KN)	Mass (kg)
		d	D	B	C			
PT202FFH8	1	0.5050 12.827	1.5000 38.100	0.4331 11.000	0.4331 11.000	7.75	3.60	0.060
PT202RRE	2	0.5906 15.000	1.3780 35.000	0.8780 22.300	0.4331 11.000	7.75	3.60	0.056
PT203NPP9	4	0.6260 15.900	1.5748 40.000	0.5100 12.954	0.5100 12.954	9.60	4.60	0.072
PT204BBE	4	0.6310 16.027	1.7805 45.225	0.6100 15.494	0.6100 15.494	12.80	6.60	0.120
PT204BBAR	4	0.7500 19.050	1.7805 45.225	0.6100 15.494	0.6100 15.494	12.80	6.60	0.115
PT205RVA	3	0.7500 19.050	2.0472 52.000	0.8310 21.107	0.5906 15.000	14.00	7.85	0.212
PT205GP	3	0.6299 16.000	2.0902 53.090	0.7677 19.500	0.7165 18.200	14.00	7.85	0.189
PT205DDS3/4	3	0.7500 19.050	2.0902 53.090	0.7677 19.500	0.7165 18.200	14.00	7.85	0.183
PT206KRP4	3	0.9900 25.146	2.4409 62.000	0.8750 22.225	0.7087 18.000	19.42	11.30	0.246
PT208NPPB5	1	1.4380 36.525	3.1496 80.000	0.8661 22.000	0.8661 22.000	29.60	18.20	0.458

200 Series



TYPE 1

TYPE 2

TYPE 3

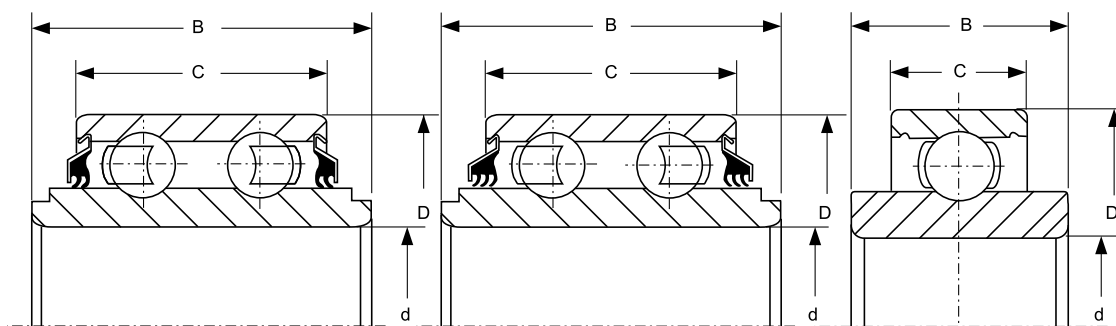
TYPE 4

Bearing No.	Type	Dimensions(in./mm)				Basic Load Rating Cr(KN)	Basic Static Load Rating Cor(KN)	Mass (kg)
		d	D	B	C			
PT203K	4	0.6693 17.000	1.5748 40.000	0.5512 14.000	0.4724 12.000	9.60	4.60	0.078
PT204RY2*	4	0.6310 16.027	1.7805 45.225	0.7346 18.660	0.6100 15.494	12.80	6.60	0.126
PT204FVMN	4	0.6310 16.027	1.7805 45.225	0.7346 18.660	0.6100 15.494	12.80	6.60	0.126
PT205TNJ	1	0.7560 19.202	2.0472 52.000	0.9210 23.393	0.7000 17.780	14.00	7.85	0.190
PT205KRR6	2	0.5150 13.081	2.0472 52.000	1.3750 34.925	0.5906 15.000	14.00	7.85	0.292
PT205PP8	3	0.5104 12.964	2.0472 52.000	1.3750 34.925	0.5906 15.000	14.00	7.85	0.308
PT205-TNK	1	0.7559 19.200	2.0472 52.000	0.7200 18.288	0.5906 15.000	14.00	7.85	0.176
PT205TTB	3	0.7560 19.202	2.0472 52.000	1.3750 34.925	0.5906 15.000	14.00	7.85	0.256
PT205PP10	3	0.6311 16.030	2.0472 52.000	1.3750 34.925	0.5906 15.000	14.00	7.85	0.274
PT205-VVA	2	0.7560 19.202	2.5000 63.500	1.0620 26.975	1.0000 25.400	14.00	7.85	0.470
PT206GGH	3	0.7559 19.200	2.4409 62.000	0.9449 24.000	0.6299 16.000	19.42	11.30	0.270
PT206KRRB	3	0.7579 19.250	2.4409 62.000	0.9449 24.000	0.6299 16.000	19.42	11.30	0.269
PT207KYY	2	1.3780 35.000	2.8346 72.000	0.9843 25.000	0.6693 17.000	25.64	15.30	0.349

*. Four-Point-Contact Bearing.



Special Bearings



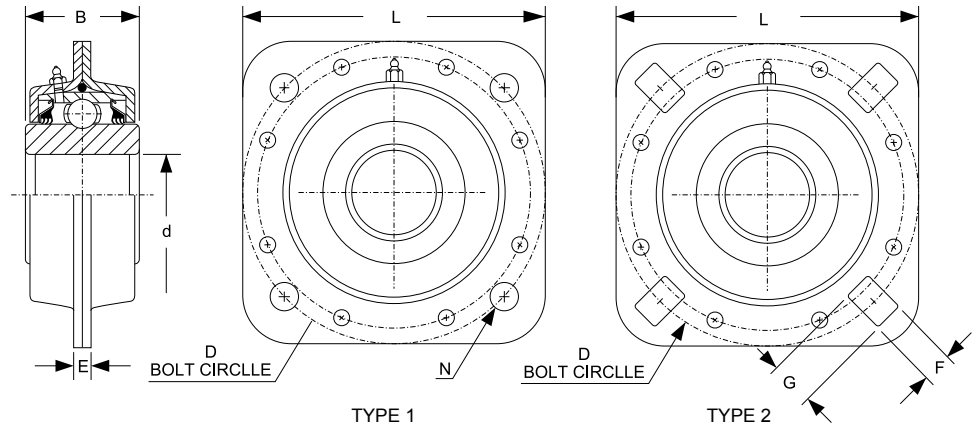
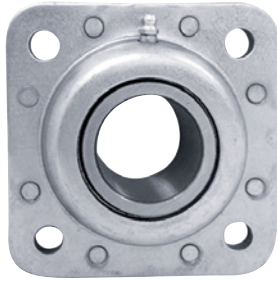
TYPE 1

TYPE 2

TYPE 3

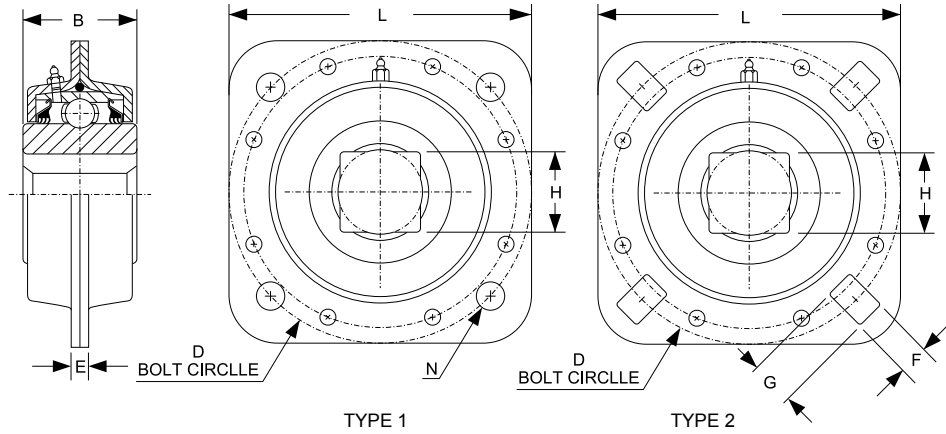
Bearing No.	Type	Dimensions(in./mm)				Basic Load Rating Cr(KN)	Basic Static Load Rating Cor(KN)	Mass (kg)
		d	D	B	C			
PT5203KYY2	1	0.6400	1.5748	1.7370	1.5402	14.02	7.88	0.233
		16.256	40.000	44.120	39.120			
PT206KPP3	2	1.1870	2.4409	1.9685	1.4567	28.60	20.40	0.527
		30.150	62.000	50.000	37.000			
PT206K14	3	1.2509	2.4409	0.9449	0.6299	19.42	11.30	0.176
		31.773	62.000	24.000	16.000			
PTWIR210-31	3	1.9370	3.5433	1.9370	0.7874	35.10	23.20	0.715
		49.200	90.000	49.200	20.000			
PTWIR211-33	3	2.0625	3.9370	2.1874	0.8268	43.55	29.20	0.947
		52.388	100.00	55.560	21.000			
PTWIR212-39	3	2.4374	4.3307	2.4374	0.8661	52.40	36.04	1.233
		61.910	110.00	61.910	22.000			
PTDC210	3	1.9380	3.5433	1.9375	0.7874	35.10	23.20	0.715
		49.225	90.000	49.212	20.000			
PT8445	3	2.1880	4.7244	2.1870	1.1380	57.50	40.00	1.650
		55.575	120.00	55.550	28.905			

Flange Disc Units



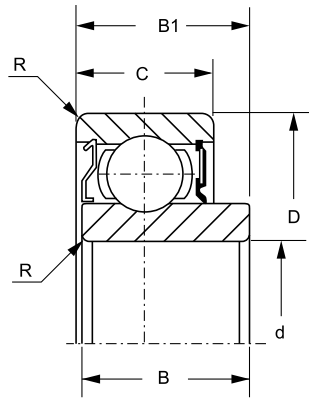
Bearing Unit No.	Type	Dimensions(in./mm)						
		d	D	L	B	E	N	FxG
PTFD209RB	2	1.5200	5.0000	5.0000	1.6850	0.3543		0.5315x0.6890
		38.608	127.00	127.00	42.800	9.000		13.500x17.500
PTFD209RE	1	1.5220	5.0000	5.0000	1.6850	0.3543	0.5315	
		38.660	127.00	127.00	42.800	9.000	13.500	
PTFD209RA	1	1.7717	5.0000	5.0000	1.6850	0.3543	0.5315	
		45.000	127.00	127.00	42.800	9.000	13.500	
PTFD211RE	1	1.7750	5.5000	5.5000	2.1870	0.3543	0.5315	
		45.085	139.70	139.70	55.550	9.000	13.500	
PTFD211RJA	1	1.9385	5.5000	5.5000	2.1250	0.3543	0.5315	
		49.238	139.70	139.70	53.975	9.000	13.500	
PTFD211RK	1	1.9385	5.5000	5.5000	2.1870	0.3543	0.5315	
		49.238	139.70	139.70	55.550	9.000	13.500	
PTFD211RB	1	2.1875	5.5000	5.5000	2.1890	0.3543	0.5315	
		55.563	139.70	139.70	55.600	9.000	13.500	
PTST740	1	2.1880	5.5000	5.5000	2.1870	0.3543	0.5315	
		55.575	139.70	139.70	55.550	9.000	13.500	

Flange Disc Units



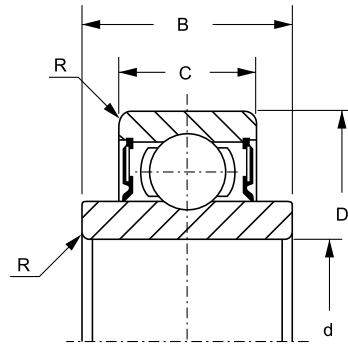
Bearing Unit No.	Type	Dimensions(in./mm)						
		H	D	L	B	E	N	FxG
PTFD208R1	2	1.0350	4.7638	4.7638	1.5000	0.2756		0.5315x0.5315
		26.300	121.00	121.00	38.100	7.000		13.500x13.500
PTFD209RM	2	1.1732	5.0000	5.0000	1.6850	0.3543		0.5315x0.6890
		29.800	127.00	127.00	42.800	9.000		13.500x17.500
PTFD209RK	2	1.2910	5.0000	5.0000	1.6850	0.3543		0.5315x0.6890
		32.800	127.00	127.00	42.800	9.000		13.500x17.500
PTFD211RM	2	1.5310	5.5000	5.5000	2.0000	0.3543		0.5315x0.6890
		38.890	139.70	139.70	50.800	9.000		13.500x17.500
PTFD211RP	1	1.6142	5.5000	5.5000	2.0060	0.3543	0.5315	
		41.000	139.70	139.70	50.950	9.000	13.500	

87000 Series



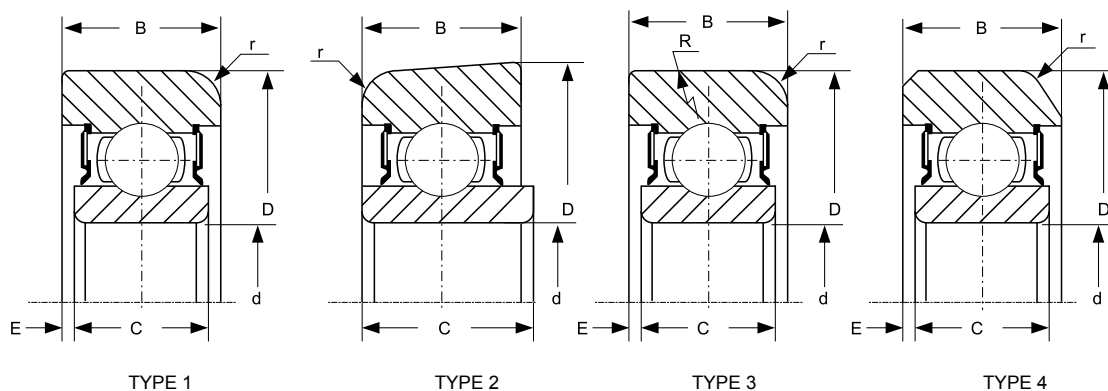
Bearing No.	Dimensions(in./mm)						Basic Load Rating Cr(KN)	Basic Static Load Rating Cor(KN)	Open Bearing (rpm)	Mass (kg)
	d	D	B	C	B1	Rmin				
PT87500	10	30	12.192	9	12.700	0.6	5.10	2.39	17,000	0.035
PT87501	12	32	12.192	10	12.700	0.6	6.80	3.05	15,000	0.044
PT87502	15	35	12.192	11	12.700	0.6	7.65	3.75	13,000	0.049
PT87503	17	40	13.665	12	14.300	0.6	9.60	4.60	12,000	0.070
PT87504	20	47	15.240	14	15.875	1.0	12.80	6.60	10,000	0.108
PT87505	25	52	15.240	15	15.875	1.0	14.00	7.85	8,900	0.133
PT87506	30	62	19	16	20	1.0	19.42	11.30	7,300	0.230
PT87507	35	72	20	17	21	1.1	25.64	15.30	6,300	0.321
PT87508	40	80	24	21	24	1.1	29.60	18.20	5,600	0.486
PT87509	45	85	24	21	24	1.1	31.85	20.80	5,200	0.545
PT87510	50	90	26	22	26	1.1	35.14	23.13	4,700	0.590
PT87511	55	100	27	23	27	1.5	43.59	29.27	4,300	0.744
PT87512	60	110	29	25	29	1.5	52.49	36.21	4,000	0.957
PT87602	15	42	14	13	15	1.0	11.40	5.45	12,000	0.088
PT87603	17	47	15	14	16	1.0	13.50	6.55	11,000	0.117
PT87604	20	52	18	15	19	1.1	15.90	7.90	10,000	0.160
PT87605	25	62	21	17	21	1.1	21.20	10.90	8,100	0.272
PT87606	30	72	23	19	23	1.1	26.70	15.00	6,800	0.404
PT87607	35	80	25	21	25	1.5	33.50	19.10	6,000	0.509
PT87608	40	90	27	23	27	1.5	40.50	24.00	5,300	0.708
PT87609	45	100	30	25	30	1.5	53.00	32.00	4,700	0.913

88000 Series

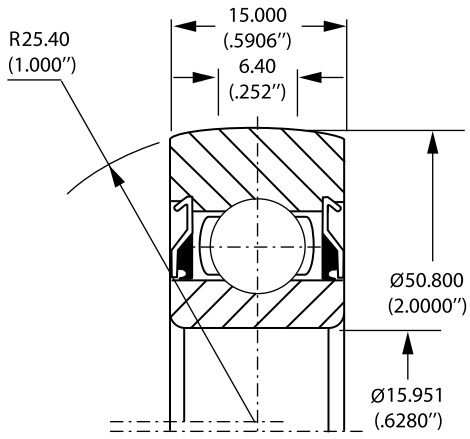


Bearing No.	Dimensions(in./mm)					Basic Load Rating Cr(KN)	Basic Static Load Rating Cor(KN)	Open Bearing (rpm)	Mass (kg)
	d	D	B	C	Rmin				
PT88006	6	24	12.624	8	0.3	3.33	1.40	24,000	0.025
PT88007	7	24	12.624	8	0.3	4.00	1.57	24,000	0.023
PT88008	8	24	12.624	8	0.3	4.00	1.57	24,000	0.022
PT88009	9	30	16.400	9	0.3	5.11	2.40	18,000	0.048
PT88011	11	32	15.400	10	0.6	6.10	2.75	16,000	0.049
PT88013	13	32	15.400	10	0.6	6.80	3.06	16,000	0.043
PT88014	14	35	14.400	11	0.6	7.64	3.72	15,000	0.057
PT88016	16	35	14.400	11	0.6	7.64	3.72	15,000	0.050
PT88026	26	52	16.749	15	1.0	14.01	7.87	8,900	0.133
PT88107	35	72	25.00	17	1.1	25.64	15.34	6,300	0.346
PT88128	38.894	80	27.50	21	1.1	29.60	18.20	5,600	0.596
PT88035	5	19	12.624	8	0.3	2.33	0.88	30,000	0.012
PT88036	6	19	12.624	8	0.3	2.33	0.88	30,000	0.012
PT88037	7	22	12.624	8	0.3	3.33	1.40	23,000	0.020
PT88038	8	22	12.624	8	0.3	3.33	1.40	23,000	0.018
PT88039	9	26	12.624	8	0.3	4.58	1.96	21,000	0.026
PT88500	10	30	16.401	9	0.6	5.10	2.39	18,000	0.041
PT88501	12	32	15.400	10	0.6	6.10	2.75	16,000	0.045
PT88502	15	35	14.400	11	0.6	7.65	3.75	15,000	0.054
PT88503	17	40	16.611	12	0.6	9.56	4.80	12,000	0.075
PT88504	20	47	17.750	14	1.0	12.80	6.60	10,000	0.112
PT88505	25	52	16.740	15	1.0	14.00	7.85	8,900	0.138
PT88506	30	62	24	16	1.0	19.42	11.30	7,300	0.255
PT88507	35	72	25	17	1.1	25.64	15.34	6,300	0.346
PT88508	40	80	27	21	1.1	29.60	18.20	5,600	0.535
PT88509	45	85	27	21	1.1	31.85	20.80	5,200	0.553
PT88510	50	90	30	22	1.1	35.10	23.20	4,700	0.635
PT88511	55	100	31	23	1.5	43.55	29.20	4,300	0.807
PT88512	60	110	33	25	1.5	52.49	36.20	3,800	1.060
PT88513	65	120	36	26	1.5	57.38	40.04	3,600	1.380

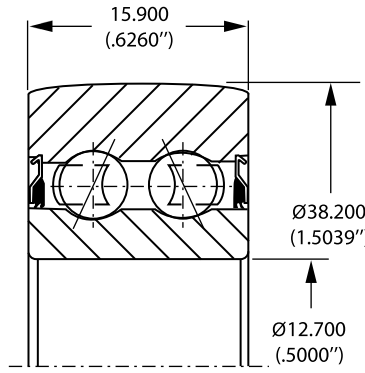
Mast Guide Bearings



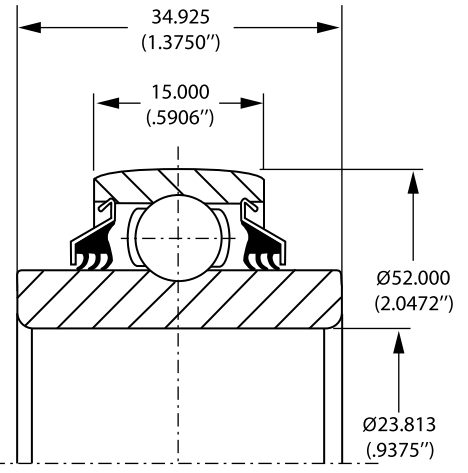
Bearing No.	Type	Dimensions(mm)							Basic Load Rating Cr(KN)	Basic Static Load Rating Cor(KN)
		d	D	B	C	r	E	R		
PTMG305DD	1	25.000	76.200	25.400	17.000	8.382	4.191		22.00	11.50
PTMG305DDA	1	25.400	74.600	25.400	17.000	8.382	4.191		22.00	11.50
PTMG305-2RS-3	2	25.000	76.352	24.765	26.000	9.042			22.00	11.50
PTMG306DD	1	30.000	88.900	25.400	19.000	9.525	3.302		27.00	15.20
PTMG307FFH	1	35.000	101.346	28.575	21.000	9.525	4.550		33.40	19.20
PTMG307FFA	1	35.000	101.600	28.575	21.000	9.525	4.547		33.40	19.20
PTMG307-2RS-4	3	35.000	101.346	28.575	21.000	6.985	4.550	215.90	33.40	19.20
PTMG307-2RS-5	3	35.000	101.346	28.575	21.000	9.525	4.550	215.90	33.40	19.20
PTMG308FFA	1	40.000	113.944	31.750	23.000	9.525	4.550		42.70	25.20
PTMG309DDA	4	45.000	127.063	31.750	25.000	7.938	3.380		53.10	32.00
PTMG309-2RS-3	1	45.000	127.063	31.750	27.000	11.113	0.787		53.10	32.00
PTMG311-2RS-1	1	55.000	152.476	38.100	29.000	11.113	4.496		71.50	44.60



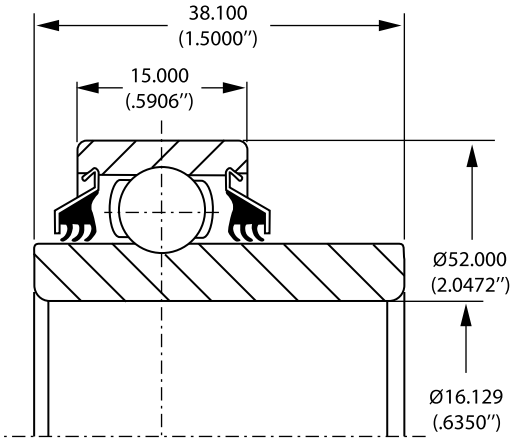
PT8984YY



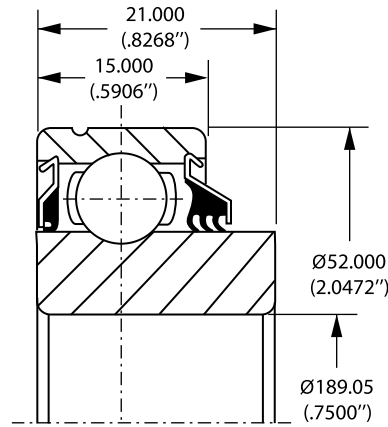
PTCF5202-2RST-8



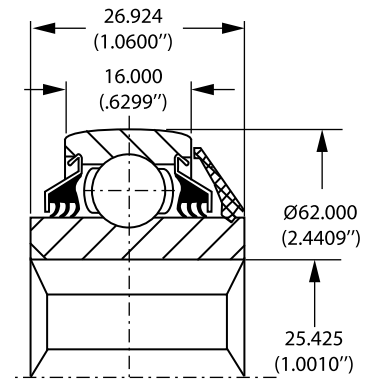
PT205TTH



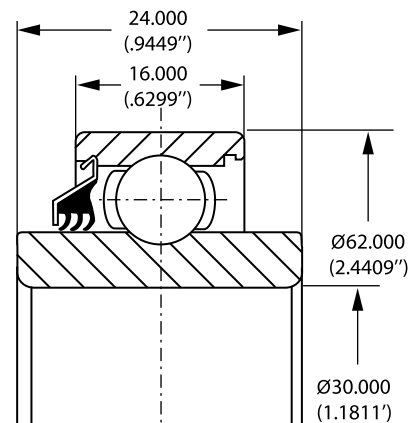
PT205TTP



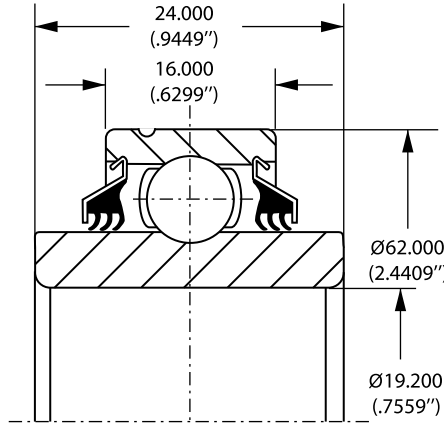
PT205RVA



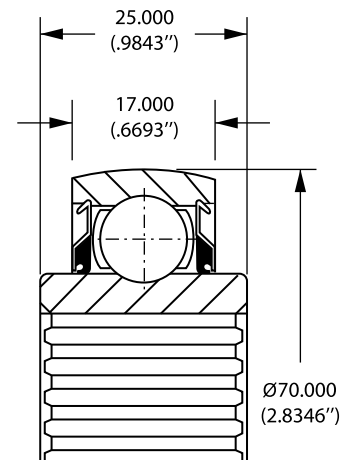
PTHPC100TPD
(Hex Bore)



PT206KP2

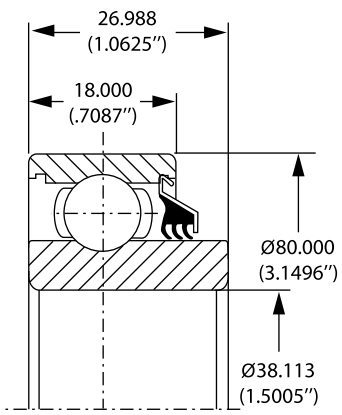


PT206GGH

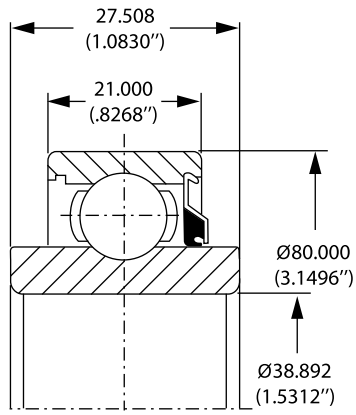


PTSPS105GPN

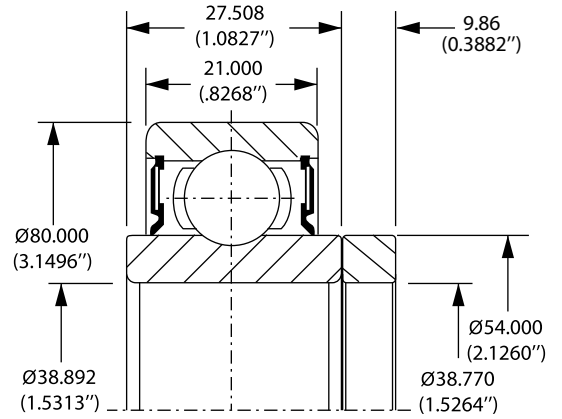
Special Bearings & Assemblies



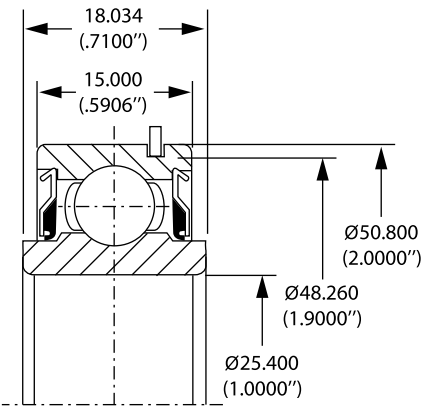
PT208KP2



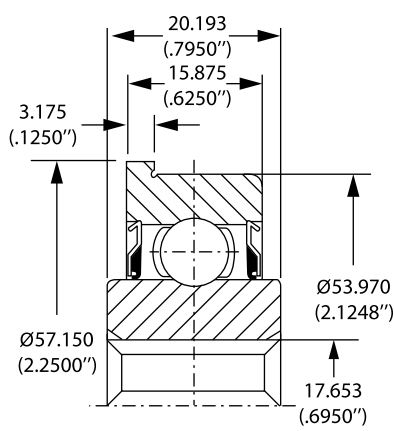
PT208KR4



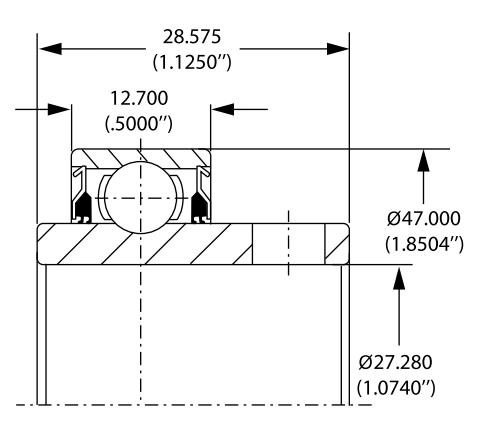
PT88128R



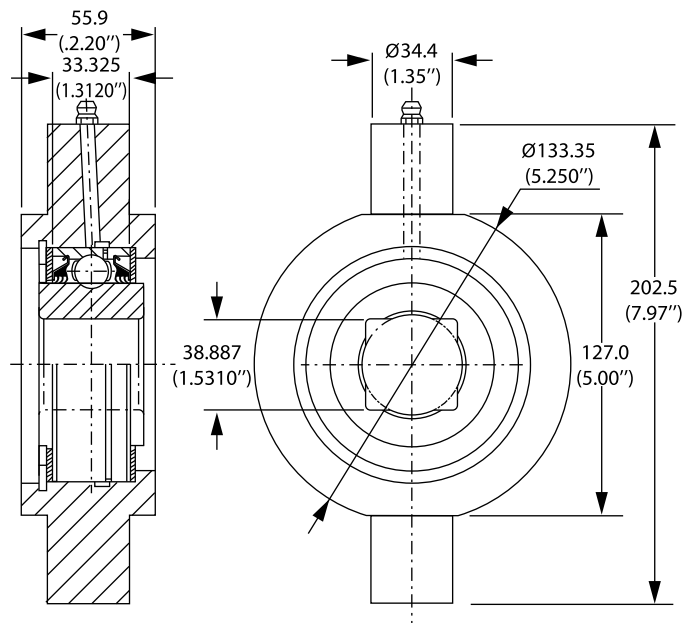
PTX365



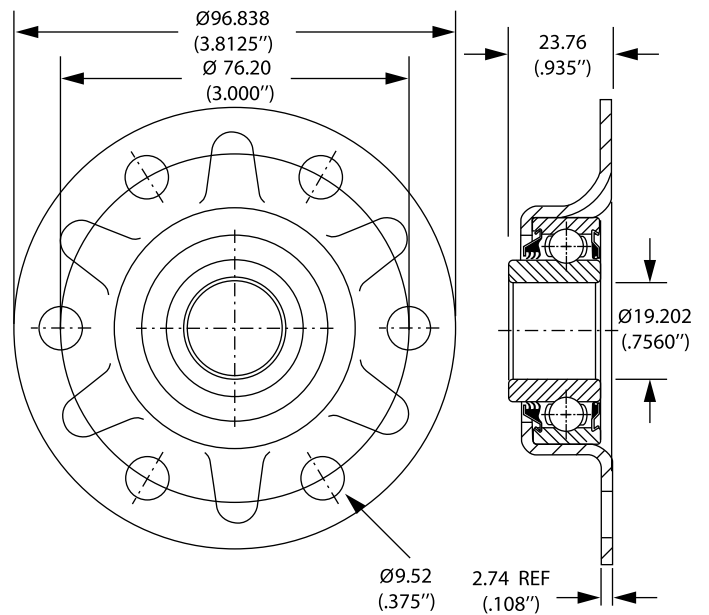
PTRX84
(Hex Bore)



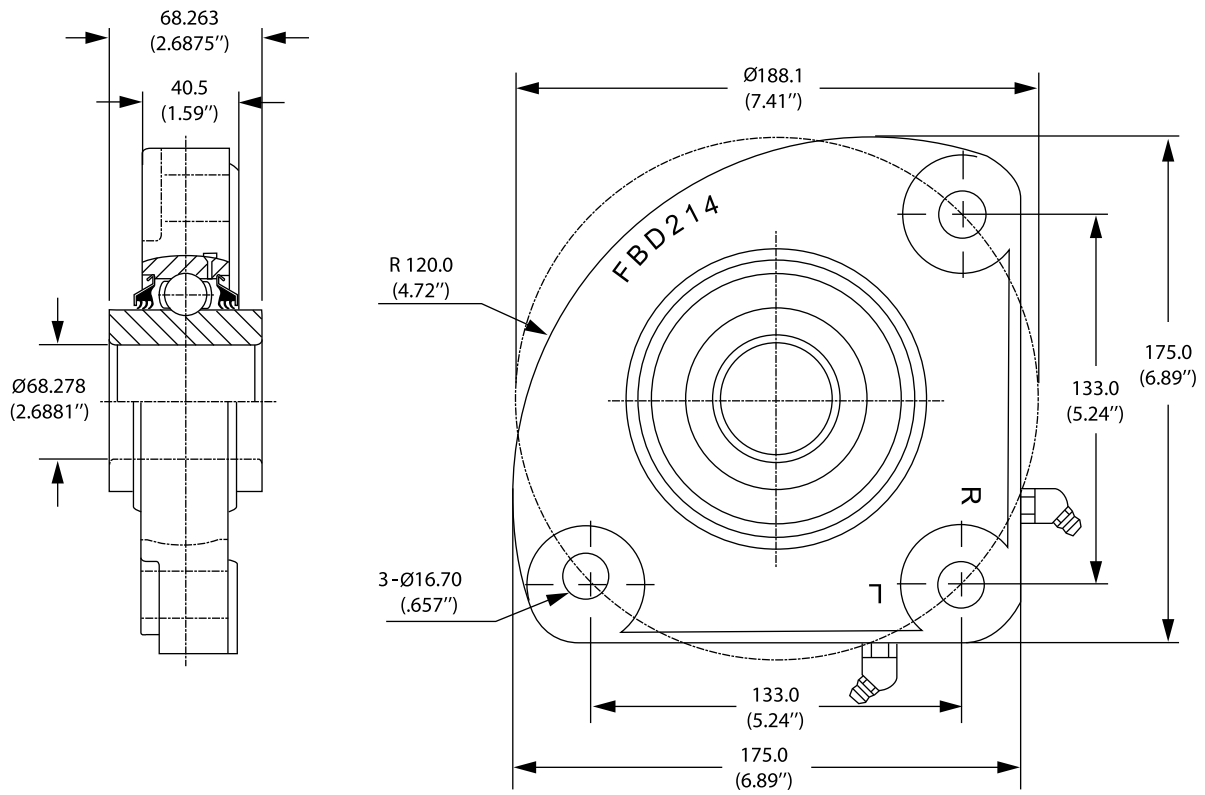
PTFHRL6005-BB9105



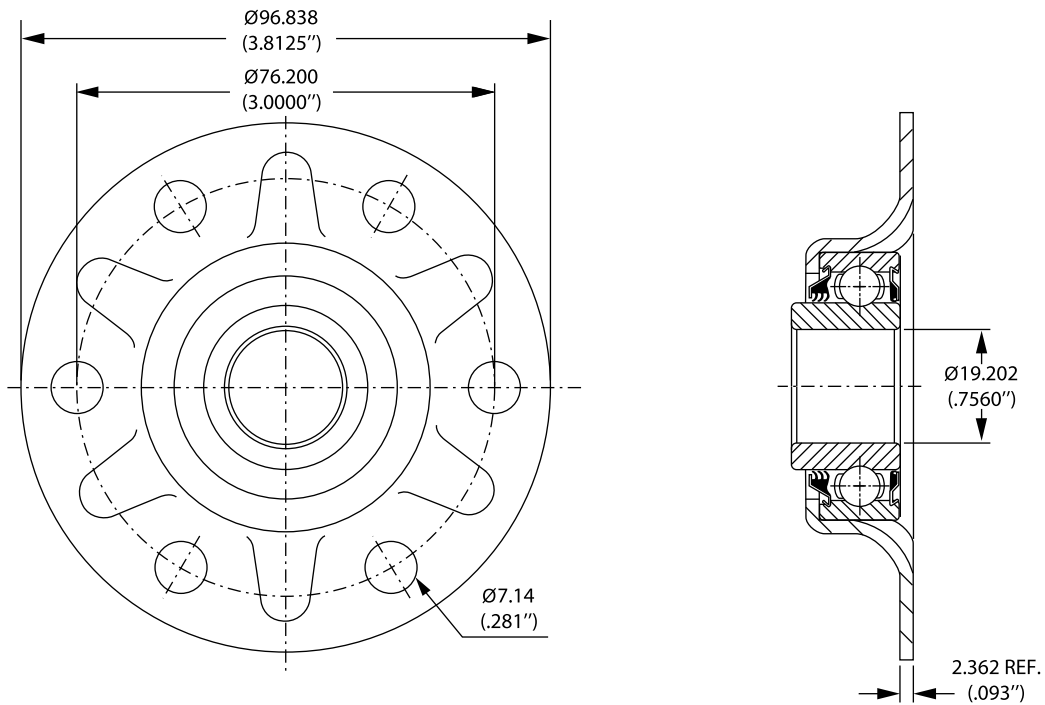
PTGW21PP-17-HDT-211-H



PT205KRP2-P6F



PTGW214PPB6-FBD



PTSE689

◆ radial Internal Clearance

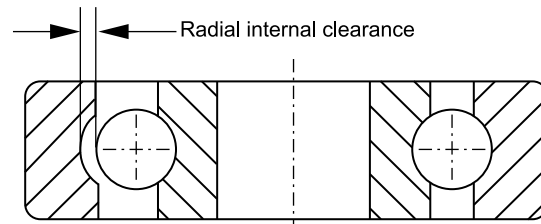


Figure: Exaggerated depiction of radial internal clearance.

Clearance values in micrometers

Basic bearing size	Group 2		Basic Group		Group 3		Group 4		Group 5	
	Min.	Max.	Min.	Max.	Min.	Max.	Min.	Max.	Min.	Max.
202	0	9	3	18	11	25	18	33	25	45
203	0	9	3	18	11	25	18	33	25	45
204	0	10	5	20	13	28	20	36	28	48
205	1	11	5	20	13	28	23	41	30	53
206	1	11	5	20	13	28	23	41	30	53
207	1	11	6	20	15	33	28	46	40	64
208	1	11	6	20	15	33	28	46	40	64
209	1	11	6	23	18	36	30	51	45	73
210	1	11	6	23	18	36	30	51	45	73
211	1	15	8	28	23	43	38	61	55	90
212	1	15	8	28	23	43	38	61	55	90
213	1	15	8	28	23	43	38	61	55	90
214	1	15	10	30	25	51	46	71	65	105
215	1	15	10	30	25	51	46	71	65	105
216	1	15	10	30	25	51	46	71	65	105

Clearance values in .0001 inch

Basic bearing size	Group 2		Basic Group		Group 3		Group 4		Group 5	
	Min.	Max.	Min.	Max.	Min.	Max.	Min.	Max.	Min.	Max.
202	0	3.5	1	7	4.5	10	7	13	10	18
203	0	3.5	1	7	4.5	10	7	13	10	18
204	0	4	2	8	5	11	8	14	11	19
205	0.5	4.5	2	8	5	11	9	16	12	21
206	0.5	4.5	2	8	5	11	9	16	12	21
207	0.5	4.5	2.5	8	6	13	11	18	16	25
208	0.5	4.5	2.5	8	6	13	11	18	16	25
209	0.5	4.5	2.5	9	7	14	12	20	18	29
210	0.5	4.5	2.5	9	7	14	12	20	18	29
211	0.5	6	3	11	9	17	15	24	22	35
212	0.5	6	3	11	9	17	15	24	22	35
213	0.5	6	3	11	9	17	15	24	22	35
214	0.5	6	4	12	10	20	18	28	26	41
215	0.5	6	4	12	10	20	18	28	26	41
216	0.5	6	4	12	10	20	18	28	26	41

◆ Tolerance of Bearings Outside Diameters and Width

Tolerances Values in Micrometers

D(mm)		ΔDmp		Kea	ΔCs		Vcs
Over	Incl.	High	Low	Max.	High	Low	Max.
30	50	0	-11	20	0	-120	20
50	80	0	-13	25	0	-120	20
80	120	0	-15	35	0	-120	20
120	150	0	-18	40	0	-150	25
150	180	0	-25	45	0	-200	25
180	250	0	-30	50	0	-250	30

Tolerances values in .0001 inch

D(in.)		ΔDmp		Kea	ΔCs		Vcs
Over	Incl.	High	Low	Max.	High	Low	Max.
1.1811	1.9685	0	-4	8	0	-47	8
1.9685	3.1496	0	-5	10	0	-47	8
3.1496	4.7244	0	-6	14	0	-47	8
4.7244	5.9055	0	-7	16	0	-59	10
5.9055	7.0866	0	-10	18	0	-79	10
7.0866	9.8425	0	-12	20	0	-98	12

Notes:

- (1) ΔDmp: The deviation of a single plane mean outside diameter of the outer ring.
- (2) Kea: Radial runout of assembled bearing outer ring.
- (3) ΔCs: Deviation of single outer ring width.
- (4) Vcs: Variation of outer ring width.

◆ Tolerance of Bearings Bore Diameters and Width

Tolerances Values In Micrometers

d(mm)		Δdmp		V _{BS}	ΔBS		Kia Max.	Square Bore		Hex Bore	
Over	Incl.	High	Low		High	Low		High	Low	High	Low
10	18	0	-10	20	0	-120	13	+130	-130	+130	0
18	30	0	-10	20	0	-120	13	+130	-130	+130	0
30	50	0	-12	20	0	-120	15	+130	-130	+130	0
50	80	0	-15	25	0	-150	20	+150	-130	+150	0

Tolerances values in .0001 inch

d(mm)		Δdmp		V _{BS}	ΔBS		Kia Max.	Square Bore		Hex Bore	
Over	Incl.	High	Low		High	Low		High	Low	High	Low
0.3937	0.7087	0	-4	8	0	-47	5	+51	-51	+51	0
0.7087	1.1811	0	-4	8	0	-47	5	+51	-51	+51	0
1.1811	1.9685	0	-5	8	0	-47	6	+51	-51	+51	0
1.9685	3.1496	0	-6	10	0	-59	8	+59	-51	+59	0

Notes:

- (1) Δdmp: Single plane mean bore diameter deviation.
- (2) Kia: Radial runout of assembled bearing inner ring.
- (3) ΔBS: Deviation of a single width of inner ring.
- (4) V_{BS}: Variation of inner ring width.



◆ Housing Fits For Ball Bearings With Cylindrical Outside Diameters:

Dimensions in Millimeters
Deviations and Fits in Micrometers

D			Part 1- Tolerance Classifications						
			K7	M6	M7	N6	N7	P6	P7
Over	Incl.	Bearing Deviation	Housing Deviation	Housing Deviation	Housing Deviation	Housing Deviation	Housing Deviation	Housing Deviation	Housing Deviation
10		0	+6	-4	0	-9	-5	-15	-11
	18	-8	-12	-15	-18	-20	-23	-26	-29
18		0	+6	-4	0	-11	-7	-18	-14
	30	-9	-15	-17	-21	-24	-28	-31	-35
30		0	+7	-4	0	-12	-8	-21	-17
	50	-11	-18	-20	-25	-28	-33	-37	-42
50		0	+9	-5	0	-14	-9	-26	-21
	80	-13	-21	-24	-30	-33	-39	-45	-51
80		0	+10	-6	0	-16	-10	-30	-24
	120	-15	-25	-28	-35	-38	-45	-52	-59
120		0	+12	-8	0	-20	-12	-36	-28
	150	-18	-28	-33	-40	-45	-52	-61	-68
150		0	+12	-8	0	-20	-12	-36	-28
	180	-25	-28	-33	-40	-45	-52	-61	-68

Dimensions in Millimeters
Deviations and Fits in Micrometers

D			Part 2- Tolerance Classifications							
			F7	G7	H8	H7	H6	J6	J7	K6
Over	Incl.	Bearing Deviation	Housing Deviation	Housing Deviation	Housing Deviation	Housing Deviation	Housing Deviation	Housing Deviation	Housing Deviation	Housing Deviation
10		0	+34	+24	+27	+18	+11	+6	+10	+2
	18	-8	+16	+6	0	0	0	-5	-8	-9
18		0	+41	+28	+33	+21	+13	+8	+12	+2
	30	-9	+20	+7	0	0	0	-5	-9	-11
30		0	+50	+34	+39	+25	+16	+10	+14	+3
	50	-11	+25	+9	0	0	0	-6	-11	-13
50		0	+60	+40	+46	+30	+19	+13	+18	+4
	80	-13	+30	+10	0	0	0	-6	-12	-15
80		0	+71	+47	+54	+35	+22	+16	+22	+4
	120	-15	+36	+12	0	0	0	-6	-13	-18
120		0	+83	+54	+63	+40	+25	+18	+26	+4
	150	-18	+43	+14	0	0	0	-7	-14	-21
150		0	+83	+54	+63	+40	+25	+18	+26	+4
	180	-25	+43	+14	0	0	0	-7	-14	-24

Notes: Housing fits for ball bearings with cylindrical outside diameters.

◆ Housing Fits For Ball Bearings With Cylindrical Outside Diameters, continued:

Dimensions in Inches
Deviations and Fits in .0001 Inches

D			Part 1- Tolerance Classifications						
			K7	M6	M7	N6	N7	P6	P7
Over	Incl.	Bearing Deviation	Housing Deviation	Housing Deviation	Housing Deviation	Housing Deviation	Housing Deviation	Housing Deviation	Housing Deviation
0.3937	0.7087	0	+2	-2	0	-4	-2	-6	-4
		-3	-5	-6	-7	-8	-9	-10	-11
0.7087	1.1811	0	+2	-2	0	-4	-3	-7	-6
		-3.5	-6	-7	-8	-9	-11	-12	-14
1.1811	1.9685	0	+3	-2	0	-5	-3	-8	-17
		-4.5	-7	-8	-10	-11	-13	-15	-7
1.9685	3.1496	0	+4	-2	0	-6	-4	-10	-20
		-5	-8	-9	-12	-13	-15	-18	-28
3.1496	4.7244	0	+4	-2	0	-6	-4	-12	-9
		-6	-10	-11	-14	-15	-18	-20	-23
4.7244	5.9055	0	+5	-3	0	-8	-5	-14	-11
		-7	-11	-13	-16	-18	-20	-24	-27
5.9055	7.0866	0	+5	-3	0	-8	-5	-14	-11
		-10	-11	-13	-16	-18	-20	-24	-27

Dimensions in Inches
Deviations and Fits in .0001 Inches

D			Part 2- Tolerance Classifications							
			F7	G7	H8	H7	H6	J6	J7	K6
Over	Incl.	Bearing Deviation	Housing Deviation	Housing Deviation	Housing Deviation	Housing Deviation	Housing Deviation	Housing Deviation	Housing Deviation	Housing Deviation
0.3937	0.7087	0	+13	+9	+11	+7	+4	+2	+4	+1
		-3	+6	+2	0	0	0	-2	-3	-4
0.7087	1.1811	0	+16	+11	+13	+8	+5	+3	+5	+1
		-3.5	+8	+3	0	0	0	-2	-4	-4
1.1811	1.9685	0	+20	+13	+15	+10	+6	+4	+6	+1
		-4.5	+10	+4	0	0	0	-2	-4	-5
1.9685	3.1496	0	+24	+16	+18	+12	+7	+5	+7	+2
		-5	+12	+4	0	0	0	-2	-5	-6
3.1496	4.7244	0	+28	+19	+21	+14	+9	+6	+9	+2
		-6	+14	+5	0	0	0	-2	-5	-7
4.7244	5.9055	0	+33	+21	+25	+16	+10	+7	+10	+2
		-7	+17	+6	0	0	0	-3	-6	-8
5.9055	7.0866	0	+33	+21	+25	+16	+10	+7	+10	+2
		-10	+17	+6	0	0	0	-3	-6	-8

Notes: Housing fits for ball bearings with cylindrical outside diameters.

◆ **Bearing Component Materials:**

Component	Material
Inner ring	SAE 52100 Steel
Outer ring	SAE 52100 Steel
Balls	SAE 52100 Steel
Retainer	Riveted Mild Steel

◆ **Housing Fit Selection For Ball Bearings With Cylindrical Outside Diameters:**

Design & Operating Conditions				Housing Fit
Rotational Conditions	Loading	Other Conditions	Outer Ring Axial Displaceability	
Outer Ring Point Loaded	Light Normal or Heavy	Heat input through shaft	Outer ring easily axially displaceable	G7
		Housing split axially		H7
	Shock with temporary complete unloading	Housing not split axially		H6
Indeterminate Load Direction		Light	Split housing not recommended	J6
	Normal or Heavy	K6		
	Heavy shock	M6		
Outer Ring Circumferentially Loaded	Light	Thin wall housing not split	Outer ring not easily axially displaceable	N6
	Normal or Heavy			P6
	Heavy			

Notes: Selection of housing fits for ball bearings with cylindrical outside diameters.

Mounted Units



Spherical Roller Bearings



Taper Roller Bearings



Spherical Plain Bearings and Rod ends



Needle Bearing Products



Chains and Sprockets



Radial Ball Bearing



Wheel Hub Units and Bearings



PTC, Inc.

Add:509 East Edgerton St. P.O. Box 805 Bryan OH 43506

Tel: 419-636-4430

Fax: 419-636-5852

Http: //www.ptcauto.com