

Enduro® Spherical Plain Bearings

Version 5.13

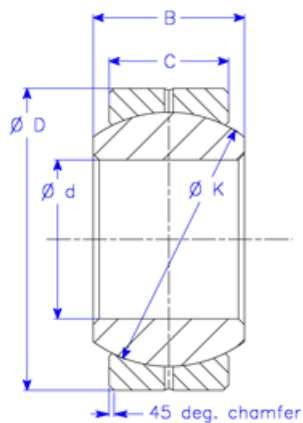


Dimensions



Enduro™ COM Series Bushings

ABI Industries
6505 San Leandro St.
Oakland, CA 94621
Tel: 510 613 8200
Fax: 510 613 8207



COM

- COM inch series bushing
- Lubrication port and groove in outer race
- Outer race treated with anti-corrosive coating
- Special order options include:
 - High temperature seals
 - Tapered and/or special sized bores
 - Special coatings for various environments

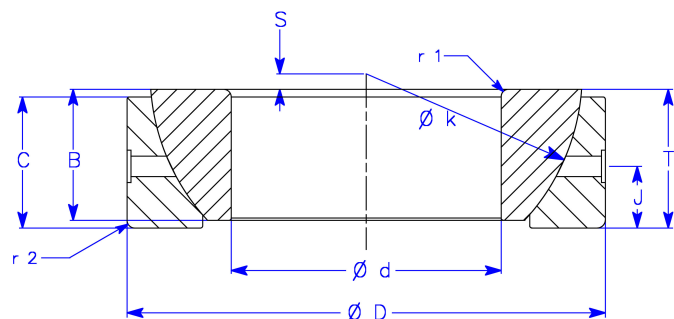


Part Number	Ø d (inches)	Ø D (inches)	B (inches)	C (inches)	Ø K (inches)	Stat. Co (kN)	Weight (lbs)
COM 3	0.1900	0.5625	0.281	0.218	0.406	14.5	0.02
COM 4	0.2500	0.6562	0.343	0.250	0.500	22.0	0.02
COM 5	0.3125	0.7500	0.375	0.281	0.562	29.0	0.03
COM 6	0.3750	0.8125	0.406	0.312	0.625	37.0	0.04
COM 7	0.4375	0.9062	0.437	0.343	0.687	45.0	0.05
COM 8	0.5000	1.0000	0.500	0.390	0.781	60.0	0.07
COM 9	0.5625	1.0937	0.562	0.437	0.875	71.0	0.09
COM 10	0.6250	1.1875	0.625	0.500	0.968	93.0	0.12
COM 12	0.7500	1.4370	0.750	0.593	1.187	133.0	0.21
COM 14	0.8750	1.5625	0.875	0.703	1.312	183.0	0.27
COM 16	1.0000	1.7500	1.000	0.797	1.500	243.0	0.38
HCOM 16	1.0000	2.0000	1.000	0.781	1.687	315.0	0.55
HCOM 19	1.1875	2.3752	1.187	0.937	2.000	448.0	0.90
HCOM 20	1.2500	2.3752	1.187	0.937	2.000	448.0	0.90
HCOM 24	1.5000	2.7500	1.375	1.094	2.312	604.7	1.36
HCOM 28	1.7500	3.1252	1.562	1.250	2.625	784.0	1.95
HCOM 32	2.0000	3.5000	1.750	1.375	2.937	965.0	2.64



Enduro™ GACZ.S Series Bushings

ABI Industries
6505 San Leandro St.
Oakland, CA 94621
Tel: 510 613 8200
Fax: 510 613 8207



GACZ..S

- GACZ.S inch series bushing
- Lubrication port groove on outer race
- All surfaces phosphate treated
- Both races coated with MoS₂
- Special order options include:
 - High temperature seals
 - Tapered and/or special sized bores
 - Special coatings for various environments

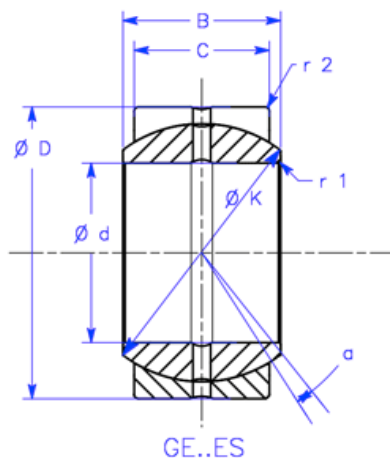


Part Number	Ø d (inches)	Ø D (inches)	B (inches)	C (inches)	T (inches)	J (inches)	S (inches)	Ø K (inches)	r 1 & r 2 (inches)	Dyn. C (kN)	Stat. Co (kN)	Weight (lbs)
GACZ 12 S	0.500	0.8750	0.27	0.190	0.300	0.094	0.244	0.719	0.020	6	18	0.03
GACZ 15 S	0.625	1.0625	0.34	0.250	0.370	0.109	0.307	0.899	0.031	10	31	0.06
GACZ 19 S	0.750	1.2500	0.41	0.310	0.440	0.125	0.365	1.080	0.039	16	47	0.08
GACZ 22 S	0.875	1.4375	0.48	0.380	0.520	0.172	0.436	1.258	0.079	22	66	0.11
GACZ 25 S	1.000	1.6250	0.55	0.440	0.600	0.203	0.493	1.437	0.079	29	87	0.19
GACZ 31 S	1.250	2.0000	0.70	0.550	0.740	0.234	0.601	1.795	0.079	47	142	0.35
GACZ 34 S	1.375	2.1875	0.77	0.600	0.840	0.281	0.688	1.937	0.098	53	159	0.47
GACZ 38 S	1.500	2.4375	0.84	0.660	0.910	0.312	0.750	2.155	0.098	66	197	0.66
GACZ 44 S	1.750	2.8125	0.98	0.790	1.070	0.328	0.880	2.515	0.098	91	273	1.0
GACZ 50 S	2.000	3.1875	1.13	0.920	1.230	0.375	1.010	2.875	0.142	122	365	1.5
GACZ 57 S	2.250	3.5625	1.27	1.050	1.390	0.453	1.140	3.235	0.142	155	466	2.1
GACZ 63 S	2.500	3.9375	1.42	1.180	1.540	0.500	1.270	3.590	0.142	196	589	2.5
GACZ 69 S	2.750	4.3750	1.56	1.275	1.700	0.515	1.400	3.950	0.181	231	694	3.9
GACZ 76 S	3.000	4.7500	1.71	1.405	1.860	0.578	1.530	4.312	0.181	279	838	5.0
GACZ 82 S	3.250	5.1250	1.86	1.545	2.030	0.656	1.670	4.675	0.181	332	995	6.4
GACZ 88 S	3.500	5.5000	2.00	1.675	2.180	0.703	1.800	5.040	0.181	389	1167	7.9
GACZ 95 S	3.750	5.8750	2.15	1.805	2.340	0.765	1.930	5.390	0.181	449	1348	9.6
GACZ 101 S	4.000	6.2500	2.30	1.935	2.500	0.781	2.060	5.750	0.181	515	1545	11.6
GACZ 114 S	4.500	7.0000	2.59	2.195	2.800	0.875	2.320	6.475	0.181	663	1990	17.1
GACZ 127 S	5.000	7.7500	2.88	3.130	3.130	1.000	2.580	7.190	0.181	818	2455	24.4
GACZ 152 S	6.000	8.7500	3.10	2.615	3.375	1.370	2.740	8.156	0.181	985	2955	38.3



Enduro™ GE.ES Series Bushings

ABI Industries
6505 San Leandro St.
Oakland, CA 94621
Tel: 510 613 8200
Fax: 510 613 8207



GE.ES Metric series bushing

Outer race with single axial fracture

ES suffix indicates lubrication ports and grooves in both inner and outer race

All surfaces phosphate treated

Both races coated with MoS₂

Special order options include:

- High temperature seals
- Tapered or special sized bores
- Special coatings for various environments

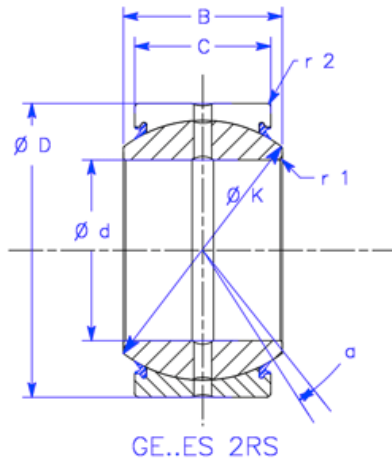


Part Number	Ø d (mm)	Ø D (mm)	B (mm)	C (mm)	Ø K (mm)	r 1 (mm)	r 2 (mm)	a °	Dyn. C (kN)	Stat. Co (kN)	Weight (lbs)
GE 5 E	5	14	6	4	10	0.3	0.3	13	3	17	0.009
GE 6 E	6	14	6	4	10	0.3	0.3	13	3	17	0.011
GE 8 E	8	16	8	5	13	0.3	0.3	15	6	28	0.015
GE 10 E	10	19	9	6	16	0.3	0.3	12	8	41	0.024
GE 12 E	12	22	10	7	18	0.3	0.3	11	11	54	0.037
GE 15 ES	15	26	12	9	22	0.3	0.3	8	17	85	0.057
GE 17 ES	17	30	14	10	25	0.3	0.3	10	21	106	0.088
GE 20 ES	20	35	16	12	29	0.3	0.3	9	30	146	0.141
GE 25 ES	25	42	20	16	36	0.6	0.6	7	48	240	0.254
GE 30 ES	30	47	22	18	41	0.6	0.6	6	62	310	0.328
GE 35 ES	35	55	25	20	47	0.6	1.0	6	80	400	0.503
GE 40 ES	40	62	28	22	53	0.6	1.0	7	100	500	0.701
GE 45 ES	45	68	32	25	60	0.6	1.0	7	127	640	0.928
GE 50 ES	50	75	35	28	66	0.6	1.0	6	156	780	1.24
GE 55 ES	55	85	40	32	74	0.6	1.0	7	200	1000	1.90
GE 60 ES	60	90	44	36	80	1.0	1.0	6	245	1220	2.27
GE 70 ES	70	105	49	40	92	1.0	1.0	6	315	1560	3.46
GE 80 ES	80	120	55	45	105	1.0	1.0	6	400	2000	5.11
GE 90 ES	90	130	60	50	115	1.0	1.0	5	490	2450	6.15
GE 100 ES	100	150	70	55	130	1.0	1.0	7	610	3050	9.79
GE 110 ES	110	160	70	55	140	1.0	1.0	6	655	3250	10.6
GE 120 ES	120	180	85	70	160	1.0	1.0	6	950	4750	17.9
GE 140 ES	140	210	90	70	180	1.0	1.0	7	1080	5400	24.7
GE 160 ES	160	230	105	80	200	1.0	1.0	8	1360	6800	31.1
GE 180 ES	180	260	105	80	225	1.0	1.0	6	1530	7650	40.8
GE 200 ES	200	290	130	100	250	1.1	1.1	7	2120	10600	62.6
GE 220 ES	220	320	135	100	275	1.1	1.1	8	2320	11600	78.7
GE 240 ES	240	340	140	100	300	1.1	1.1	8	2550	12700	87.5
GE 260 ES	260	370	150	110	325	1.1	1.1	7	3030	15190	114
GE 280 ES	280	400	155	120	350	1.1	1.1	6	3570	17850	143
GE 300 ES	300	430	165	120	375	1.1	1.1	7	3800	19100	171



Enduro™ GE.ES.2RS Series Bushings

ABI Industries
 6505 San Leandro St.
 Oakland, CA 94621
 Tel: 510 613 8200
 Fax: 510 613 8207



GE.ES 2RS Metric series bushing

Outer race with single axial fracture

ES suffix indicates lubrication ports and grooves in both inner and outer race

2RS indicates rubber seals on either side

All surfaces phosphate treated

Both races coated with MoS₂

Special order options include:

- High temperature seals
- Tapered or special sized bores
- Special coatings for various environments

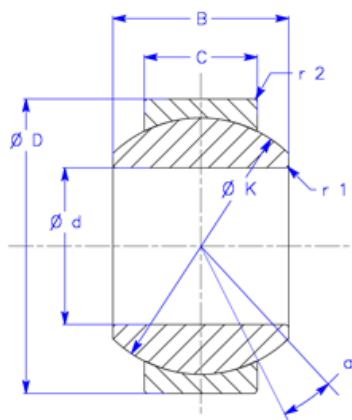


Part Number	Ø d (mm)	Ø D (mm)	B (mm)	C (mm)	Ø K (mm)	r 1 (mm)	r 2 (mm)	a °	Dyn. C (kN)	Stat. Co (kN)	Weight (lbs)
GE 15 ES2RS	15	26	12	9	22	0.3	0.3	8	17	85	0.057
GE 17 ES2RS	17	30	14	10	25	0.3	0.3	10	21	106	0.088
GE 20 ES2RS	20	35	16	12	29	0.3	0.3	9	30	146	0.141
GE 25 ES2RS	25	42	20	16	36	0.6	0.6	7	48	240	0.254
GE 30 ES2RS	30	47	22	18	41	0.6	0.6	6	62	310	0.328
GE 35 ES2RS	35	55	25	20	47	0.6	1.0	6	80	400	0.503
GE 40 ES2RS	40	62	28	22	53	0.6	1.0	7	100	500	0.701
GE 45 ES2RS	45	68	32	25	60	0.6	1.0	7	127	640	0.928
GE 50 ES2RS	50	75	35	28	66	0.6	1.0	6	156	780	1.24
GE 55 ES2RS	55	85	40	32	74	0.6	1.0	7	200	1000	1.90
GE 60 ES2RS	60	90	44	36	80	1.0	1.0	6	245	1220	2.27
GE 70 ES2RS	70	105	49	40	92	1.0	1.0	6	315	1560	3.46
GE 80 ES2RS	80	120	55	45	105	1.0	1.0	6	400	2000	5.11
GE 90 ES2RS	90	130	60	50	115	1.0	1.0	5	490	2450	6.15
GE 100 ES2RS	100	150	70	55	130	1.0	1.0	7	610	3050	9.79
GE 110 ES2RS	110	160	70	55	140	1.0	1.0	6	655	3250	10.6
GE 120 ES2RS	120	180	85	70	160	1.0	1.0	6	950	4750	17.9
GE 140 ES2RS	140	210	90	70	180	1.0	1.0	7	1080	5400	24.7
GE 160 ES2RS	160	230	105	80	200	1.0	1.0	8	1360	6800	31.1
GE 180 ES2RS	180	260	105	80	225	1.0	1.0	6	1530	7650	40.8
GE 200 ES2RS	200	290	130	100	250	1.1	1.1	7	2120	10600	62.6
GE 220 ES2RS	220	320	135	100	275	1.1	1.1	8	2320	11600	78.7
GE 240 ES2RS	240	340	140	100	300	1.1	1.1	8	2550	12700	87.5
GE 260 ES2RS	260	370	150	110	325	1.1	1.1	7	3030	15190	114
GE 280 ES2RS	280	400	155	120	350	1.1	1.1	6	3570	17850	143
GE 300 ES2RS	300	430	165	120	375	1.1	1.1	7	3800	19100	171



Enduro™ GE.FW Series Bushings

ABI Industries
6505 San Leandro St.
Oakland, CA 94621
Tel: 510 613 8200
Fax: 510 613 8207



GE..FW

- GE.FW metric series bushing
- Outer race formed around ball
- Maintenance free
- Outer race lined with PTFE composite material
- Outer race phosphate treated
- Inner race hard chrome plated
- Special order options include:
 - High temperature seals
 - Tapered and/or special sized bores
 - Special coatings for various environments

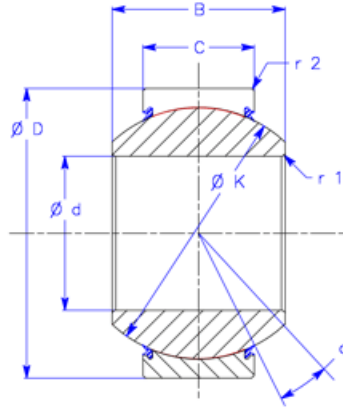


Part Number	Ø d (mm)	Ø D (mm)	B (mm)	C (mm)	Ø K (mm)	r 1 (mm)	r 2 (mm)	a °	Dyn. C (kN)	Stat. Co (kN)	Weight (lbs)
GE 6 FW	6	16	9	5	13	0.3	0.3	21	5.8	14.0	0.018
GE 8 FW	8	19	11	6	16	0.3	0.3	21	8.6	21.0	0.031
GE 10 FW	10	22	12	7	18	0.3	0.3	18	11.0	28.0	0.046
GE 12 FW	12	26	15	9	22	0.3	0.3	18	18.0	45.0	0.073
GE 15 FW	15	30	16	10	25	0.3	0.3	16	22.0	56.0	0.10
GE 17 FW	17	35	20	12	29	0.3	0.3	19	31.0	78.0	0.17
GE 20 FW	20	42	25	16	36	0.6	0.6	17	51.0	127	0.33
GE 25 FW	25	47	28	18	41	0.6	0.6	17	65.0	166	0.42
GE 30 FW	30	55	32	20	47	0.6	1.0	17	83.0	212	0.64



Enduro™ GE.FW.2RS Series Bushings

ABI Industries
6505 San Leandro St.
Oakland, CA 94621
Tel: 510 613 8200
Fax: 510 613 8207



GE..FW 2RS

GE.FW 2RS metric series bushing

Outer race with single axial fracture (FT Style with two fractures)

Maintenance free

Outer race lined with PTFE fabric

2RS indicates rubber seals on each side

Outer race phosphate treated

Inner race hard chrome plated

Special order options include:

- High temperature seals
- Tapered and/or special sized bores
- Special coatings for various environments

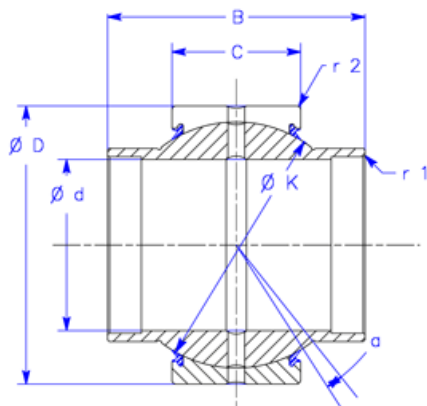


Part Number	Ø d (mm)	Ø D (mm)	B (mm)	C (mm)	Ø K (mm)	r 1 (mm)	r 2 (mm)	a °	Dyn. C (kN)	Stat. Co (kN)	Weight (lbs)
GE 15 FW2RS	15	30	16	10	25	0.3	0.3	16	22.4	56	0.101
GE 17 FW2RS	17	35	20	12	29	0.3	0.3	19	31.5	78	0.172
GE 20 FW2RS	20	42	25	16	36	0.6	0.6	17	51.0	127	0.331
GE 25 FW2RS	25	47	28	18	41	0.6	0.6	17	65.5	166	0.419
GE 30 FW2RS	30	55	32	20	47	0.6	1.0	17	210	350	0.639
GE 35 FW2RS	35	62	35	22	53	0.6	1.0	16	277	462	0.860
GE 40 FW2RS	40	68	40	25	60	0.6	1.0	17	360	600	1.15
GE 45 FW2RS	45	75	43	28	66	0.6	1.0	15	442	737	1.50
GE 55 FW2RS	50	90	56	36	80	0.6	1.0	17	690	1150	3.09
GE 60 FW2RS	60	105	63	40	92	1.0	1.0	17	885	1475	4.41
GE 70 FW2RS	70	120	70	45	105	1.0	1.0	16	1125	1875	6.39
GE 80 FW2RS	80	130	75	50	115	1.0	1.0	14	1380	2300	7.72
GE 90 FW2RS	90	150	85	55	130	1.0	1.0	15	1717	2862	11.9
GE 100 FW2RS	100	160	85	55	140	1.0	1.0	14	1845	3075	13.2
GE 110 FW2RS	110	180	100	70	160	1.0	1.0	12	2685	4475	21.4
GE 120 FW2RS	120	210	115	70	180	1.0	1.0	16	3015	5025	30.9
GE 140 FW2RS	240	230	130	80	200	1.0	1.0	16	3840	6400	41.9
GE 160 FT2RS	160	260	135	80	225	1.1	1.1	16	4320	7200	54.5
GE 180 FT2RS	180	290	155	100	250	1.1	1.1	14	6000	10000	79.1
GE 200 FT2RS	200	320	165	100	270	1.1	1.1	15	6600	11000	99.9
GE 220 FT2RS	220	340	175	100	300	1.1	1.1	16	7200	12000	113
GE 240 FT2RS	240	370	190	110	325	1.1	1.1	15	8550	14250	144
GE 260 FT2RS	260	400	205	120	350	1.1	1.1	15	10050	16750	182
GE 280 FT2RS	280	430	210	120	375	1.1	1.1	15	10800	18000	214



Enduro™ GE.HO.2RS Metric Series Bushing

ABI Industries
6505 San Leandro St.
Oakland, CA 94621
Tel: 510 613 8200
Fax: 510 613 8207



GE..HO 2RS

GE.HO2RS Metric series bushing

Outer race with single axial fracture

Lubrication ports and grooves in both inner and outer race

2RS suffix indicates seals on each side

All surfaces phosphate treated

Both races coated with MoS₂

Special order options include:

- High temperature seals
- Tapered or special sized bores
- Special coatings for various environments

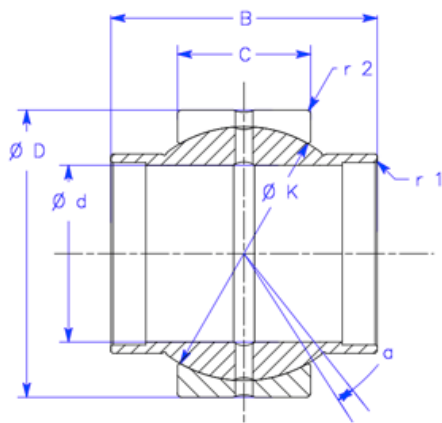


Part Number	Ø d (mm)	Ø D (mm)	B (mm)	C (mm)	Ø K (mm)	r (mm)	r 2 (mm)	a °	Dyn. C (kN)	Stat. Co (kN)	Weight (lbs)
GE 20 HO2RS	20	35	24	12	29	0.3	0.3	4	30	146	0.152
GE 25 HO2RS	25	42	29	16	36	0.6	0.6	4	48	240	0.265
GE 30 HO2RS	30	47	30	18	40.7	0.6	0.6	4	62	310	0.331
GE 35 HO2RS	35	55	35	20	47	0.6	0.6	4	80	400	0.573
GE 40 HO2RS	40	62	38	22	53	0.6	1.0	4	100	500	0.705
GE 45 HO2RS	45	68	40	25	60	0.6	1.0	4	127	640	0.948
GE 50 HO2RS	50	75	43	28	66	0.6	1.0	4	156	780	1.21
GE 60 HO2RS	60	90	54	36	80	1.0	1.0	4	245	1220	2.43
GE 70 HO2RS	70	105	65	40	92	1.0	1.0	4	315	1560	3.53
GE 80 HO2RS	80	120	74	45	105	1.0	1.0	4	400	2000	5.51



Enduro™ GE.LO Metric Series Bushing

ABI Industries
6505 San Leandro St.
Oakland, CA 94621
Tel: 510 613 8200
Fax: 510 613 8207



GE..LO

- GE.LO Metric series bushing
- Outer race with single axial fracture
- Lubrication ports and grooves in both inner and outer race
- All surfaces phosphate treated
- Both races coated with MoS₂
- Special order options include:
 - High temperature seals
 - Tapered or special sized bores
 - Special coatings for various environments

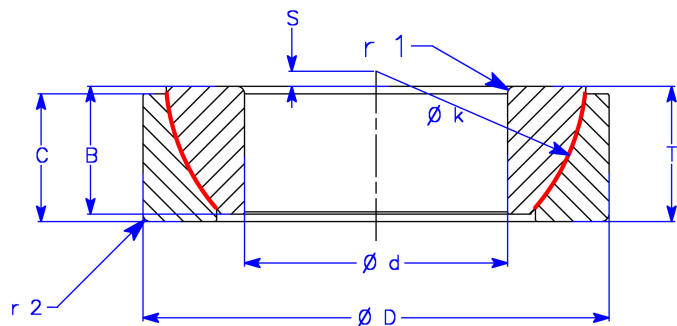


Part Number	Ø d (mm)	Ø D (mm)	B (mm)	C (mm)	Ø K (mm)	r 1 (mm)	r 2 (mm)	a °	Dyn. C (kN)	Stat. Co (kN)	Weight (lbs)
GE 20 LO	20	35	20	12	29.0	0.3	0.3	4	31.0	155	0.154
GE 25 LO	25	42	25	16	35.5	0.6	0.6	4	49.5	248	0.265
GE 30 LO	30	47	30	18	40.7	0.6	0.6	4	62.0	317	0.370
GE 32 LO	32	52	32	18	44.0	0.6	1.0	4	67.0	335	0.456
GE 35 LO	35	55	35	20	47.0	0.6	0.6	4	81.7	413	0.558
GE 40 LO	40	62	40	22	53.0	0.6	1.0	4	104	520	0.728
GE 45 LO	45	68	45	25	60.0	0.6	1.0	4	129	645	1.060
GE 50 LO	50	75	50	28	66.0	0.6	1.0	4	161	807	1.23
GE 60 LO	60	90	60	36	80.0	1.0	1.0	4	250	1250	2.54
GE 63 LO	63	95	63	36	83.0	1.0	1.0	4	255	1270	2.80
GE 70 LO	70	105	70	40	92.0	1.0	1.0	4	325	1620	3.77
GE 80 LO	80	120	80	45	105.0	1.0	1.0	4	410	2070	5.27
GE 90 LO	90	130	90	50	115.0	1.0	1.0	4	490	2450	6.70
GE 100 LO	100	150	100	55	130.0	1.0	1.0	4	610	3050	10.74
GE 110 LO	110	160	110	55	140.0	1.0	1.0	4	655	3250	12.2
GE 125 LO	125	180	125	70	160.0	1.0	1.0	4	950	4750	18.1
GE 160 LO	160	230	160	80	200.0	1.0	1.0	4	1360	6800	34.8
GE 200 LO	200	290	200	100	250.0	1.1	1.1	4	2120	10600	69.9



Enduro™ GE.SW Series Bushings

ABI Industries
6505 San Leandro St.
Oakland, CA 94621
Tel: 510 613 8200
Fax: 510 613 8207



GE.SW metric series bushing

Maintenance free

Outer race lined with PTFE fabric

Inner race surface hard chrome plated

Special order options include:

- High temperature seals
- Tapered and/or special sized bores
- Special coatings for various environments



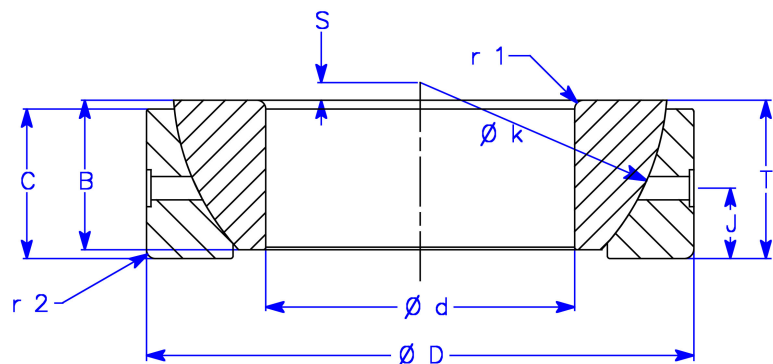
GE..SW

Part Number	Ø d (mm)	Ø D (mm)	B (mm)	C (mm)	T (mm)	S (mm)	Ø K (mm)	r (mm)	Dyn. C (kN)	Stat. Co (kN)	Weight (lbs)
GE 25 SW	25	47	15	14	15	1.0	42	0.6	71	140	0.31
GE 28 SW	28	52	15	15	16	1.0	47	1.0	90	180	0.40
GE 30 SW	30	55	17	15	17	2.0	50	1.0	95	190	0.49
GE 32 SW	32	58	17	16	17	2.0	52	1.0	102	204	0.53
GE 35 SW	35	62	18	16	18	2.0	56	1.0	116	232	0.62
GE 40 SW	40	68	19	17	19	1.5	62	1.0	134	270	0.75
GE 45 SW	45	75	20	18	20	1.5	69	1.0	160	320	0.95
GE 50 SW	50	80	20	19	20	4.0	74	1.0	176	355	1.0
GE 55 SW	55	90	23	20	23	4.0	82	1.5	220	440	1.5
GE 60 SW	60	95	23	21	23	5.0	89	1.5	240	480	1.7
GE 65 SW	65	100	23	22	23	5.0	94	1.5	260	520	1.8
GE 70 SW	70	110	25	23	25	7.0	102	1.5	315	630	2.2
GE 75 SW	75	115	25	24	25	7.9	107	1.5	345	670	2.4
GE 80 SW	80	125	29	26	29	10.0	115	1.5	375	750	3.5
GE 85 SW	85	130	29	27	29	9.4	122	1.5	425	810	3.7
GE 90 SW	90	140	32	28	32	11.0	129	2.0	480	965	4.9
GE 95 SW	95	145	32	30	32	10.8	135	2.0	500	1000	5.1
GE 100 SW	100	150	32	31	32	12.0	141	2.0	520	1040	5.3
GE 105 SW	105	160	35	33	35	12.3	148	2.0	565	1250	6.4
GE 110 SW	110	170	38	34	38	15.0	155	2.5	710	1430	8.2
GE 120 SW	120	180	38	37	38	17.0	168	2.5	765	1530	8.8
GE 130 SW	130	200	45	43	45	20.0	188	2.5	965	1930	13.2
GE 140 SW	140	210	45	43	45	20.0	198	2.5	1020	2040	14.1
GE 150 SW	150	225	48	46	48	21.0	211	3.0	1180	2360	17.4
GE 160 SW	160	240	51	49	51	21.0	225	3.0	1340	2700	21.2
GE 170 SW	170	260	57	55	57	27.0	246	3.0	1660	3350	28.7
GE 180 SW	180	280	64	61	64	21.0	260	3.0	2000	4000	38.6
GE 190 SW	190	290	64	62	64	29.0	275	3.0	2080	4150	39.7
GE 200 SW	200	310	70	66	70	26.0	290	3.0	2360	4750	50.7



Enduro™ GE.SX Series Bushings

ABI Industries
6505 San Leandro St.
Oakland, CA 94621
Tel: 510 613 8200
Fax: 510 613 8207



GE..SX

GE.SX metric series bushing

Lubrication port and groove in outer race

All surfaces phosphate treated

Both races coated with MoS₂

Special order options include:

- High temperature seals
- Tapered and/or special sized bores
- Special coatings for various environments

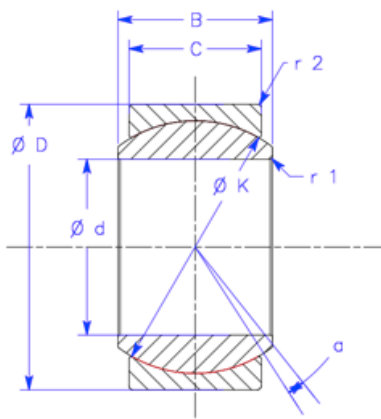


Part Number	$\varnothing d$ (mm)	$\varnothing D$ (mm)	B (mm)	C (mm)	T (mm)	J (mm)	S (mm)	$\varnothing K$ (mm)	r (mm)	Dyn. C (kN)	Stat. Co (kN)	Weight (lbs)
GE 25 SX	25	47	15	14	15	7.5	1.0	42	0.6	50	250	0.33
GE 28 SX	28	52	15	15	16	8.0	1.0	47	1.0	60	300	0.41
GE 30 SX	30	55	17	15	17	8.5	2.0	50	1.0	63	315	0.46
GE 32 SX	32	58	17	16	17	8.5	2.0	52	1.0	71	354	0.53
GE 35 SX	35	62	18	16	18	9.0	2.0	56	1.0	78	390	0.59
GE 40 SX	40	68	19	17	19	9.5	1.5	62	1.0	92	463	0.72
GE 45 SX	45	75	20	18	20	10.0	1.5	69	1.0	108	540	0.92
GE 50 SX	50	80	20	19	20	10.0	4.0	74	1.0	123	618	1.0
GE 55 SX	55	90	23	20	23	11.5	4.0	82	1.5	144	721	1.4
GE 60 SX	60	95	23	21	23	11.5	5.0	89	1.5	163	817	1.6
GE 65 SX	65	100	23	22	23	11.5	5.0	94	1.5	180	905	1.7
GE 70 SX	70	110	25	23	25	12.5	7.0	102	1.5	206	1030	2.3
GE 75 SX	75	115	25	24	25	12.5	7.9	107	1.5	220	1129	2.5
GE 80 SX	80	125	29	26	29	14.5	10.0	115	1.5	258	1290	3.4
GE 85 SX	85	130	29	27	29	14.5	9.4	122	1.5	284	1422	3.5
GE 90 SX	90	140	32	28	32	16.0	11.0	129	2.0	316	1580	4.6
GE 95 SX	95	145	32	30	32	16.0	10.8	135	2.0	350	1750	4.9
GE 100 SX	100	150	32	31	32	16.0	12.0	141	2.0	384	1923	5.2
GE 105 SX	105	160	35	33	35	17.5	12.3	148	2.0	423	2116	6.5
GE 110 SX	110	170	38	34	38	19.0	15.0	155	2.5	463	2318	8.1
GE 120 SX	120	180	38	37	38	19.0	17.0	168	2.5	547	2735	8.8
GE 130 SX	130	200	45	43	45	19.0	20.0	188	2.5	710	3550	13.1
GE 140 SX	140	210	45	43	45	19.0	20.0	198	2.5	740	3740	14.0
GE 150 SX	150	225	48	46	48	20.5	21.0	211	3.0	850	4270	17.7
GE 160 SX	160	240	51	49	51	22.0	21.0	225	3.0	970	4850	21.6
GE 170 SX	170	260	57	55	57	27.0	27.0	246	3.0	1190	5950	27.1
GE 180 SX	180	280	64	61	64	28.0	21.0	260	3.0	1395	6970	38.4
GE 190 SX	190	290	64	62	64	30.0	29.0	275	3.0	1500	7500	40.1
GE 200 SX	200	310	70	66	70	30.0	26.0	290	3.0	1680	8420	52.5



Enduro™ GE.UK Series Bushings

ABI Industries
6505 San Leandro St.
Oakland, CA 94621
Tel: 510 613 8200
Fax: 510 613 8207



GE..UK

- GE.UK metric series bushing
- Outer race formed over ball
- Maintenance free
- Outer race lined with PTFE composite material
- Inner race hard chrome plated
- Special order options include:
 - High temperature seals
 - Tapered and/or special sized bores
 - Special coatings for various environments

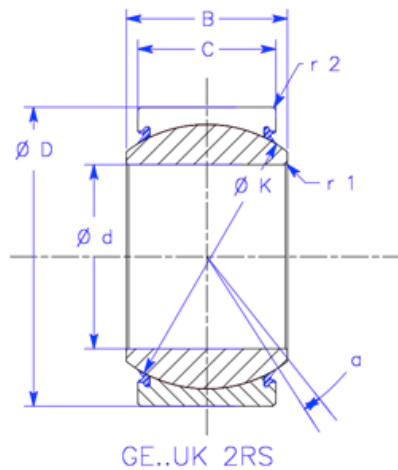


Part Number	Ø d (mm)	Ø D (mm)	B (mm)	C (mm)	Ø K (mm)	r 1 (mm)	r 2 (mm)	a °	Dyn. C (kN)	Stat. Co (kN)	Weight (lbs)
GE 6 UK	6	14	6	4	10	0.3	0.3	13	3	17	0.011
GE 8 UK	8	16	8	5	13	0.3	0.3	15	6	28	0.015
GE 10 UK	10	19	9	6	16	0.3	0.3	12	8	41	0.024
GE 12 UK	12	22	10	7	18	0.3	0.3	11	11	54	0.037
GE 15 UK	15	26	12	9	22	0.3	0.3	8	17	85	0.057
GE 17 UK	17	30	14	10	25	0.3	0.3	10	21	106	0.088
GE 20 UK	20	35	16	12	29	0.3	0.3	9	30	146	0.141
GE 25 UK	25	42	20	16	36	0.6	0.6	7	48	240	0.254
GE 30 UK	30	47	22	18	41	0.6	0.6	6	62	310	0.328



Enduro™ GE.UK2RS Series Bushings

ABI Industries
6505 San Leandro St.
Oakland, CA 94621
Tel: 510 613 8200
Fax: 510 613 8207



- GE.UK2RS metric series bushing
- Outer race with single axial fracture (UT Style with two fractures)
- Maintenance free
- Outer race lined with PTFE fabric
- 2RS indicates rubber seals on each side
- Outer race phosphate treated
- Inner race hard chrome plated
- Special order options include:
 - High temperature seals
 - Tapered and/or special sized bores
 - Special coatings for various environments

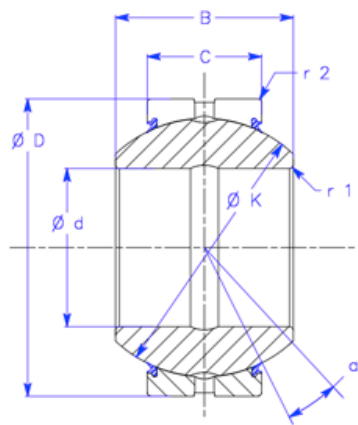


Part Number	Ø d (mm)	Ø D (mm)	B (mm)	C (mm)	Ø K (mm)	r 1 (mm)	r 2 (mm)	a °	Dyn. C (kN)	Stat. Co (kN)	Weight (lbs)
GE 15 UK2RS	15	26	12	9	22	0.3	0.3	8	17	85	0.057
GE 17 UK2RS	17	30	14	10	25	0.3	0.3	10	21	106	0.088
GE 20 UK2RS	20	35	16	12	29	0.3	0.3	9	30	146	0.141
GE 25 UK2RS	25	42	20	16	36	0.6	0.6	7	48	240	0.254
GE 30 UK2RS	30	47	22	18	41	0.6	0.6	6	62	310	0.328
GE 35 UK2RS	35	55	25	20	47	0.6	1.0	6	80	400	0.503
GE 40 UK2RS	40	62	28	22	53	0.6	1.0	7	100	500	0.701
GE 45 UK2RS	45	68	32	25	60	0.6	1.0	7	127	640	0.928
GE 50 UK2RS	50	75	35	28	66	0.6	1.0	6	156	780	1.24
GE 55 UK2RS	55	85	40	32	74	0.6	1.0	7	200	1000	1.90
GE 60 UK2RS	60	90	44	36	80	1.0	1.0	6	245	1220	2.27
GE 70 UK2RS	70	105	49	40	92	1.0	1.0	6	315	1560	3.46
GE 80 UK2RS	80	120	55	45	105	1.0	1.0	6	400	2000	5.11
GE 90 UK2RS	90	130	60	50	115	1.0	1.0	5	490	2450	6.15
GE 100 UK2RS	100	150	70	55	130	1.0	1.0	7	610	3050	9.79
GE 110 UK2RS	110	160	70	55	140	1.0	1.0	6	655	3250	10.6
GE 120 UK2RS	120	180	85	70	160	1.0	1.0	6	950	4750	17.9
GE 140 UK2RS	140	210	90	70	180	1.0	1.0	7	1080	5400	24.7
GE 160 UT2RS	160	230	105	80	200	1.0	1.0	8	1360	6800	31.1
GE 180 UT2RS	180	260	105	80	225	1.0	1.0	6	1530	7650	40.8
GE 200 UT2RS	200	290	130	100	250	1.1	1.1	7	2120	10600	62.6
GE 220 UT2RS	220	320	135	100	275	1.1	1.1	8	2320	11600	78.7
GE 240 UT2RS	240	340	140	100	300	1.1	1.1	8	2550	12700	87.5
GE 260 UT2RS	260	370	150	110	325	1.1	1.1	7	3030	15190	114
GE 280 UT2RS	280	400	155	120	350	1.1	1.1	6	3570	17850	143
GE 300 UT2RS	300	430	165	120	375	1.1	1.1	7	3800	19100	171



Enduro™ GEG.ES.2RS Series Bushings

ABI Industries
6505 San Leandro St.
Oakland, CA 94621
Tel: 510 613 8200
Fax: 510 613 8207



GEG..ES 2RS

GEG.ES 2RS metric series bush
(higher capacity than GE series)

Outer race with single axial fracture

ES suffix indicates lubrication ports and grooves in both inner and outer race

2RS indicates rubber seals on each side

All surfaces phosphate treated

Both races coated with MoS₂

Special order options include:

- High temperature seals
- Tapered and/or special sized bores
- Special coatings for various environments

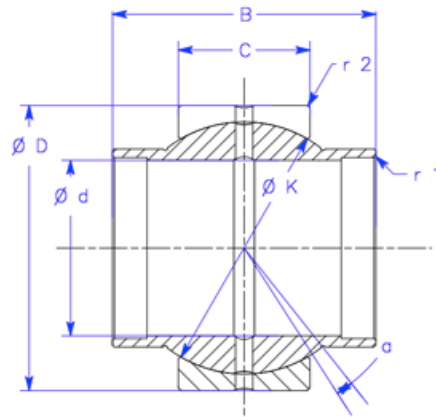


Part Number	Ø d (mm)	Ø D (mm)	B (mm)	C (mm)	Ø K (mm)	r 1 (mm)	r 2 (mm)	a °	Dyn. C (kN)	Stat. Co (kN)	Weight (lbs)
GEG 15 ES2RS	15	30	16	10	25	0.3	0.3	21	21	106	0.106
GEG 17 ES2RS	17	35	20	12	29	0.3	0.3	21	30	146	0.176
GEG 20 ES2RS	20	42	25	16	36	0.6	0.6	18	48	240	0.335
GEG 25 ES2RS	25	47	28	18	41	0.6	0.6	18	62	310	0.439
GEG 30 ES2RS	30	55	32	20	47	0.6	1.0	16	80	400	0.653
GEG 35 ES2RS	35	62	35	22	53	0.6	1.0	19	100	500	0.886
GEG 40 ES2RS	40	68	40	25	60	0.6	1.0	17	127	640	1.18
GEG 45 ES2RS	45	75	43	28	66	0.6	1.0	17	156	780	1.54
GEG 50 ES2RS	50	90	56	36	80	0.6	1.0	17	245	1220	3.13
GEG 60 ES2RS	60	105	63	40	92	1.0	1.0	16	315	1560	4.61
GEG 70 ES2RS	70	120	70	45	105	1.0	1.0	17	400	2000	6.64
GEG 80 ES2RS	80	130	75	50	115	1.0	1.0	17	490	2450	7.96
GEG 90 ES2RS	90	150	85	55	130	1.0	1.0	16	610	3050	12.1
GEG 100 ES2RS	100	160	85	55	140	1.0	1.0	14	655	3250	13.3
GEG 110 ES2RS	110	180	100	70	160	1.0	1.0	15	950	4750	21.5
GEG 120 ES2RS	120	210	115	70	180	1.0	1.0	14	1080	5400	33.3
GEG 140 ES2RS	240	230	130	80	200	1.0	1.0	12	1360	6800	41.7
GEG 160 ES2RS	160	260	135	80	225	1.0	1.1	16	1530	7650	54.7
GEG 180 ES2RS	180	290	155	100	250	1.1	1.1	14	2120	10600	79.1
GEG 200 ES2RS	200	320	165	100	270	1.1	1.1	15	2320	11600	99.0
GEG 220 ES2RS	220	340	175	100	300	1.1	1.1	16	2550	12700	112
GEG 240 ES2RS	240	370	190	110	325	1.1	1.1	15	3030	15190	144
GEG 260 ES2RS	260	400	205	120	350	1.1	1.1	15	3570	17850	181
GEG 280 ES2RS	280	430	210	120	375	1.1	1.1	15	3800	19100	213



Enduro™ GEWZ.ES Series Bushings

ABI Industries
6505 San Leandro St.
Oakland, CA 94621
Tel: 510 613 8200
Fax: 510 613 8207



GEWZ..ES

- GEWZ.ES inch series bushing
- Outer race with single axial fracture
- Inner race extended on both sides
- ES suffix indicates lubrication ports and grooves in both inner and outer race
- All surfaces phosphate treated
- Both races coated with MoS₂
- Special order options include:
 - High temperature seals
 - Tapered and/or special sized bores
 - Special coatings for various environments

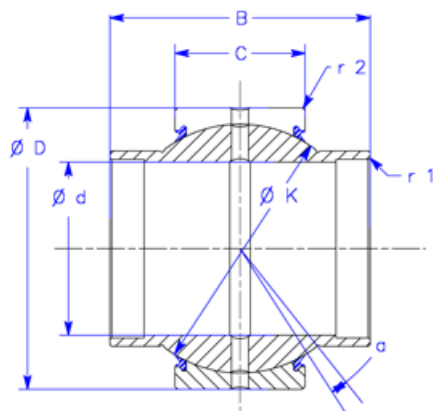


Part Number	Ø d (inches)	Ø D (inches)	B (inches)	C (inches)	Ø K (inches)	r 1 (inches)	r 2 (inches)	a °	Dyn. C (kN)	Stat. Co (kN)	Weight (lbs)
GEWZ 12 ES	0.500	0.8750	0.750	0.375	0.709	0.006	0.024	5	13	41	0.05
GEWZ 15 ES	0.625	1.0625	0.938	0.469	0.906	0.006	0.024	5	22	65	0.08
GEWZ 19 ES	0.750	1.2500	1.125	0.562	1.083	0.012	0.024	5	31	95	0.14
GEWZ 22 ES	0.875	1.4375	1.312	0.656	1.260	0.012	0.024	5	42	127	0.21
B 74945	1.000	1.6250	1.190	0.750	1.437	0.012	0.024	5	56	166	0.31
GEWZ 25 ES	1.000	1.6250	1.500	0.750	1.437	0.012	0.024	5	56	166	0.31
GEWZ 31 ES	1.250	2.0000	1.875	0.937	1.791	0.024	0.024	5	86	260	0.59
GEWZ 34 ES	1.375	2.1875	2.062	1.031	1.929	0.024	0.04	5	102	310	0.75
GEWZ 38 ES	1.500	2.4375	2.250	1.125	2.154	0.024	0.04	5	125	375	1.09
GEWZ 44 ES	1.750	2.8125	2.625	1.312	2.516	0.024	0.04	5	170	510	1.68
GEWZ 50 ES	2.000	3.1875	3.000	1.500	2.874	0.024	0.04	5	224	670	2.44
GEWZ 57 ES	2.250	3.5625	3.375	1.687	3.228	0.024	0.04	5	280	850	3.46
GEWZ 63 ES	2.500	3.9375	3.750	1.875	3.622	0.04	0.04	5	355	1060	4.75
GEWZ 69 ES	2.750	4.3750	4.125	2.062	3.937	0.04	0.04	5	415	1250	6.40
GEWZ 76 ES	3.000	4.7500	4.500	2.250	4.311	0.04	0.04	5	500	1500	7.92
GEWZ 82 ES	3.250	5.1250	4.875	2.437	4.685	0.04	0.04	5	585	1760	10.3
GEWZ 88 ES	3.500	5.5000	5.250	2.625	5.039	0.04	0.04	5	680	2040	12.9
GEWZ 95 ES	3.750	5.8750	5.625	2.812	5.394	0.04	0.04	5	780	2360	15.7
GEWZ 101 ES	4.000	6.2500	6.000	3.000	5.748	0.04	0.04	5	900	2650	18.9
GEWZ 114 ES	4.500	7.0000	6.750	3.375	6.476	0.04	0.04	5	1120	3400	27.0
GEWZ 127 ES	5.000	7.7500	7.500	3.750	7.205	0.04	0.04	5	1400	4150	36.7
GEWZ 152 ES	6.000	8.7500	8.250	4.125	8.150	0.04	0.04	5	1730	5200	45.5



Enduro™ GEWZ.ES2RS Series Bushings

ABI Industries
6505 San Leandro St.
Oakland, CA 94621
Tel: 510 613 8200
Fax: 510 613 8207



GEWZ..ES 2RS

GEWZ.ES2RS inch series bushing
Outer race with single axial fracture
Inner race extended on both sides
ES suffix indicates lubrication ports and grooves in both inner and outer race
2RS indicates rubber seals on each side
All surfaces phosphate treated
Both races coated with MoS₂
Special order options include:
-High temperature seals
-Tapered and/or special sized bores
-Special coatings for various environments

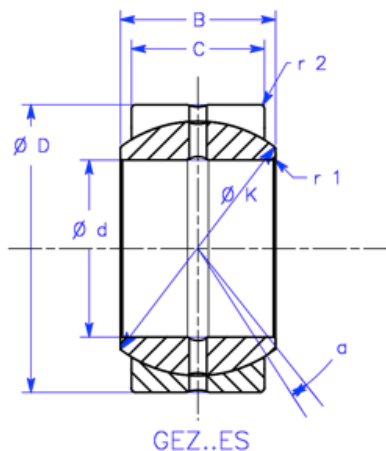


Part Number	Ø d (inches)	Ø D (inches)	B (inches)	C (inches)	Ø K (inches)	r 1 (inches)	r 2 (inches)	a °	Dyn. C (kN)	Stat. Co (kN)	Weight (lbs)
GEWZ 12 ES2RS	0.500	0.8750	0.750	0.375	0.709	0.006	0.024	5	13	41	0.05
GEWZ 15 ES2RS	0.625	1.0625	0.938	0.469	0.906	0.006	0.024	5	22	65	0.08
GEWZ 19 ES2RS	0.750	1.2500	1.125	0.562	1.083	0.012	0.024	5	31	95	0.14
GEWZ 22 ES2RS	0.875	1.4375	1.312	0.656	1.260	0.012	0.024	5	42	127	0.21
GEWZ 25 ES2RS	1.000	1.6250	1.500	0.750	1.437	0.012	0.024	5	56	166	0.31
GEWZ 31 ES2RS	1.250	2.0000	1.875	0.937	1.791	0.024	0.024	5	86	260	0.59
GEWZ 34 ES2RS	1.375	2.1875	2.062	1.031	1.929	0.024	0.04	5	102	310	0.75
GEWZ 38 ES2RS	1.500	2.4375	2.250	1.125	2.154	0.024	0.04	5	125	375	1.09
GEWZ 44 ES2RS	1.750	2.8125	2.625	1.312	2.516	0.024	0.04	5	170	510	1.68
GEWZ 50 ES2RS	2.000	3.1875	3.000	1.500	2.874	0.024	0.04	5	224	670	2.44
GEWZ 57 ES2RS	2.250	3.5625	3.375	1.687	3.228	0.024	0.04	5	280	850	3.46
GEWZ 63 ES2RS	2.500	3.9375	3.750	1.875	3.622	0.04	0.04	5	355	1060	4.75
GEWZ 69 ES2RS	2.750	4.3750	4.125	2.062	3.937	0.04	0.04	5	415	1250	6.40
GEWZ 76 ES2RS	3.000	4.7500	4.500	2.250	4.311	0.04	0.04	5	500	1500	7.92
GEWZ 82 ES2RS	3.250	5.1250	4.875	2.437	4.685	0.04	0.04	5	585	1760	10.3
GEWZ 88 ES2RS	3.500	5.5000	5.250	2.625	5.039	0.04	0.04	5	680	2040	12.9
GEWZ 95 ES2RS	3.750	5.8750	5.625	2.812	5.394	0.04	0.04	5	780	2360	15.7
GEWZ 101 ES2RS	4.000	6.2500	6.000	3.000	5.748	0.04	0.04	5	900	2650	18.9
GEWZ 114 ES2RS	4.500	7.0000	6.750	3.375	6.476	0.04	0.04	5	1120	3400	27.0
GEWZ 127 ES2RS	5.000	7.7500	7.500	3.750	7.205	0.04	0.04	5	1400	4150	36.7
GEWZ 152 ES2RS	6.000	8.7500	8.250	4.125	8.150	0.04	0.04	5	1730	5200	45.5



Enduro™ GEZ.ES Series Bushings

ABI Industries
6505 San Leandro St.
Oakland, CA 94621
Tel: 510 613 8200
Fax: 510 613 8207



GEZ.ES inch series bushing
Outer race with single axial fracture
ES suffix indicates lubrication ports and grooves in both inner and outer race
All surfaces phosphate treated
Both races coated with MoS₂
Special order options include:
-High temperature seals
-Tapered or special sized bores
-Special coatings for various environments

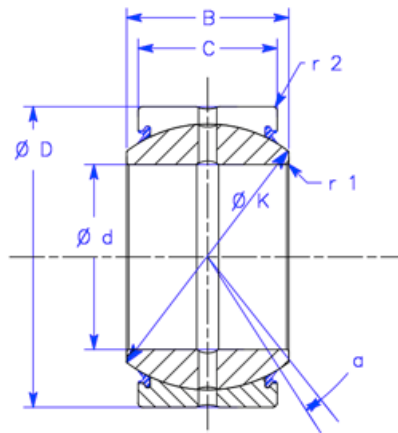


Part Number	Ø d (inches)	Ø D (inches)	B (inches)	C (inches)	Ø K (inches)	r 1 (inches)	r 2 (inches)	a °	Dyn. C (kN)	Stat. Co (kN)	Weight (lbs)
GEZ 12 ES	0.500	0.8750	0.437	0.375	0.719	0.015	0.022	6	13	41	0.044
GEZ 15 ES	0.625	1.0620	0.547	0.469	0.899	0.015	0.032	6	22	65	0.079
GEZ 19 ES	0.750	1.2500	0.656	0.562	1.080	0.022	0.032	6	31	96	0.126
GEZ 22 ES	0.875	1.4375	0.765	0.656	1.258	0.022	0.032	6	42	127	0.193
GEZ 25 ES	1.000	1.6250	0.875	0.750	1.437	0.022	0.032	6	56	166	0.276
GEZ 31 ES	1.250	2.0000	1.093	0.937	1.795	0.022	0.032	6	86	260	0.516
GEZ 34 ES	1.375	2.1875	1.187	1.031	1.937	0.022	0.032	6	102	310	0.770
GEZ 38 ES	1.500	2.4375	1.312	1.125	2.155	0.022	0.032	6	125	375	0.934
GEZ 44 ES	1.750	2.8125	1.531	1.312	2.515	0.022	0.032	6	170	510	1.43
GEZ 50 ES	2.000	3.1875	1.750	1.500	2.875	0.022	0.032	6	224	670	2.07
GEZ 57 ES	2.250	3.5625	1.969	1.687	3.235	0.022	0.032	6	280	850	2.92
GEZ 63 ES	2.500	3.9375	2.187	1.875	3.590	0.022	0.032	6	355	1050	4.09
GEZ 69 ES	2.750	4.3750	2.406	2.062	3.950	0.022	0.032	6	415	1250	5.38
GEZ 76 ES	3.000	4.7500	2.625	2.250	4.312	0.022	0.032	6	400	1500	6.87
GEZ 82 ES	3.250	5.1250	2.844	2.437	4.675	0.022	0.032	6	585	1760	8.63
GEZ 88 ES	3.500	5.5000	3.062	2.625	5.040	0.022	0.032	6	680	2040	10.7
GEZ 95 ES	3.750	5.8750	3.281	2.812	5.390	0.022	0.032	6	780	2360	13.0
GEZ 101 ES	4.000	6.2500	3.500	3.000	5.750	0.022	0.032	6	900	2650	15.6
GEZ 107 ES	4.250	6.6250	3.719	3.187	6.098	0.032	0.044	6	1000	2900	18.5
GEZ 114 ES	4.500	7.0000	3.937	3.375	6.475	0.032	0.044	6	1120	3400	21.6
GEZ 120 ES	4.750	7.3750	4.156	3.562	6.831	0.032	0.044	6	1250	3750	25.4
GEZ 127 ES	5.000	7.7500	4.375	3.750	7.190	0.032	0.044	6	1400	4150	29.8
GEZ 152 ES	6.000	8.7500	4.750	4.125	8.156	0.032	0.044	5	1730	5200	38.6



Enduro™ GEZ.ES2RS Series Bushings

ABI Industries
6505 San Leandro St.
Oakland, CA 94621
Tel: 510 613 8200
Fax: 510 613 8207



GEZ..ES 2RS

- GEZ.ES2RS inch series bushing
- Outer race with single axial fracture
- ES suffix indicates lubrication ports and grooves in both inner and outer race
- 2RS indicates rubber seals on either side
- All surfaces phosphate treated
- Both races coated with MoS₂
- Special order options include:
 - High temperature seals
 - Tapered or special sized bores
 - Special coatings for various environments

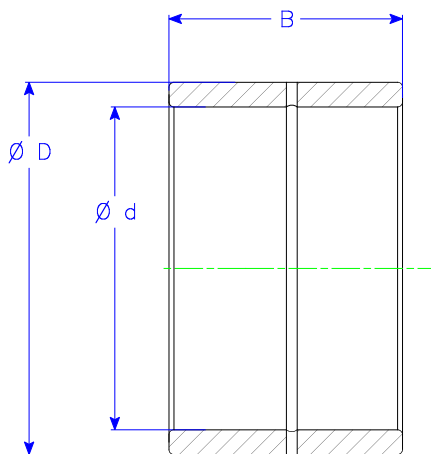


Part Number	Ø d (inches)	Ø D (inches)	B (inches)	C (inches)	Ø K (inches)	r 1 (inches)	r 2 (inches)	a °	Dyn. C (kN)	Stat. Co (kN)	Weight (lbs)
GEZ 19 ES2RS	0.750	1.2500	0.656	0.562	1.080	0.022	0.032	6	31	96	0.126
GEZ 22 ES2RS	0.875	1.4375	0.765	0.656	1.258	0.022	0.032	6	42	127	0.193
GEZ 25 ES2RS	1.000	1.6250	0.875	0.750	1.437	0.022	0.032	6	56	166	0.276
GEZ 31 ES2RS	1.250	2.0000	1.093	0.937	1.795	0.022	0.032	6	86	260	0.516
GEZ 34 ES2RS	1.375	2.1875	1.187	1.031	1.937	0.022	0.032	6	102	310	0.770
GEZ 38 ES2RS	1.500	2.4375	1.312	1.125	2.155	0.022	0.032	6	125	375	0.934
GEZ 44 ES2RS	1.750	2.8125	1.531	1.312	2.515	0.022	0.032	6	170	510	1.43
GEZ 50 ES2RS	2.000	3.1875	1.750	1.500	2.875	0.022	0.032	6	224	670	2.07
GEZ 57 ES2RS	2.250	3.5625	1.969	1.687	3.235	0.022	0.032	6	280	850	2.92
GEZ 63 ES2RS	2.500	3.9375	2.187	1.875	3.590	0.022	0.032	6	355	1050	4.09
GEZ 69 ES2RS	2.750	4.3750	2.406	2.062	3.950	0.022	0.032	6	415	1250	5.38
GEZ 76 ES2RS	3.000	4.7500	2.625	2.250	4.312	0.022	0.032	6	400	1500	6.87
GEZ 82 ES2RS	3.250	5.1250	2.844	2.437	4.675	0.022	0.032	6	585	1760	8.63
GEZ 88 ES2RS	3.500	5.5000	3.062	2.625	5.040	0.022	0.032	6	680	2040	10.7
GEZ 95 ES2RS	3.750	5.8750	3.281	2.812	5.390	0.022	0.032	6	780	2360	13.0
GEZ 101 ES2RS	4.000	6.2500	3.500	3.000	5.750	0.022	0.032	6	900	2650	15.6
GEZ 107 ES2RS	4.250	6.6250	3.719	3.187	6.098	0.032	0.044	6	1000	2900	18.5
GEZ 114 ES2RS	4.500	7.0000	3.937	3.375	6.475	0.032	0.044	6	1120	3400	21.9
GEZ 120 ES2RS	4.750	7.3750	4.156	3.562	6.831	0.032	0.044	6	1250	3750	25.4
GEZ 127 ES2RS	5.000	7.7500	4.375	3.750	7.190	0.032	0.044	6	1400	4150	38.8
GEZ 152 ES2RS	6.000	8.7500	4.750	4.125	8.156	0.032	0.044	6	1730	5200	50.4



Enduro™ MI Series Inner Ring

ABI Industries
6505 San Leandro St.
Oakland, CA 94621
Tel: 510 613 8200
Fax: 510 613 8207



MI series Bushing

Hardened cylindrical steel bushings

Lubrication groove and port in outer race

Can be used as inner race for a roller bearing

Special order options include:

- Tapered and/or special size bore holes
- Special coatings for various environments



Part Number	d (inches)	D (inches)	B (inches)	Part Number	d (inches)	D (inches)	B (inches)	Part Number	d (inches)	D (inches)	B (inches)
MI 12	0.7500	1.000	1.01	MI 24N	1.5000	1.750	1.01	MI 46	2.8750	3.500	2.01
MI 12N	0.7500	1.000	0.76	MI 24/27	1.5000	2.000	1.26	MI 47	2.9375	3.500	2.01
MI 13	0.8125	1.000	1.01	MI 25	1.5625	1.875	1.26	MI 48	3.0000	3.500	2.01
MI 13N	0.8125	1.000	0.76	MI 26	1.6250	2.000	1.26	MI 50	3.1250	3.750	2.01
MI 14/A	0.8750	1.125	1.26	MI 26N	1.6250	2.000	1.01	MI 52	3.2500	3.750	2.01
MI 14N	0.8750	1.125	1.01	MI 27	1.6875	2.000	1.26	MI 54	3.3750	4.000	2.01
MI 15	0.9375	1.125	1.26	MI 28	1.7500	2.250	1.76	MI 56	3.5000	4.000	2.01
MI 15N	0.9375	1.125	1.01	MI 28N	1.7500	2.250	1.51	MI 56/41	3.5000	4.125	2.01
MI 16	1.0000	1.250	1.26	MI 30	1.8750	2.500	1.76	MI 56/42	3.5000	4.250	2.01
MI 16N	1.0000	1.250	1.01	MI 31	1.9375	2.500	1.76	MI 58	3.6250	4.250	2.01
MI 16/17N	1.0000	1.375	1.01	MI 31N	1.9375	2.500	1.51	MI 60	3.7500	4.250	2.01
MI 17	1.0625	1.375	1.26	MI 32	2.0000	2.500	1.76	MI 60/45	3.7500	4.500	2.26
MI 18	1.1250	1.375	1.26	MI 32N	2.0000	2.500	1.51	MI 72	4.5000	5.500	3.02
MI 18N	1.1250	1.375	1.01	MI 34	2.1250	2.500	1.76	MI 72N	4.5000	5.500	2.52
MI 19	1.1875	1.500	1.26	MI 35	2.1875	2.750	1.76	MI 80	5.0000	6.000	3.02
MI 20	1.2500	1.500	1.26	MI 36	2.2500	2.750	1.76	MI 80N	5.0000	6.000	2.52
MI 20N	1.2500	1.500	1.01	MI 36N	2.2500	2.750	1.51	MI 88	5.5000	6.500	3.02
MI 755	1.2500	1.625	1.26	MI 38	2.3750	3.000	1.76	MI 88N	5.5000	6.500	2.52
MI 21	1.3125	1.625	1.26	MI 39	2.4375	3.000	1.76	MI 96	6.0000	7.250	3.02
MI 21N	1.3125	1.625	1.01	MI 40	2.5000	3.000	1.76	MI 104	6.5000	7.750	3.02
MI 22	1.3750	1.625	1.26	MI 40N	2.5000	3.000	1.51	MI 112	7.0000	8.250	3.02
MI 23	1.4375	1.750	1.26	MI 40/31	2.5000	3.125	1.51	MI 120	7.5000	8.750	3.02
MI 23N	1.4375	1.750	1.01	MI 42	2.6250	3.250	1.76	MI 128	8.0000	9.250	3.02
MI 24	1.5000	1.750	1.26	MI 44	2.7500	3.250	1.76				

Interchange Charts



Enduro™ Bushing OE Interchange Chart

ABI Industries
 6505 San Leandro St.
 Oakland, CA 94621
 Tel: 510 613 8200
 Fax: 510 613 8207

C
A
T

OEM Part #	Enduro Part #	RBC	Torrington	SKF
6V 2473	GE 10 ES	N/A	N/A	GE 10 E
3W 8357	GE 100 ES	MB 100	100 FS 150	GE 100 ES
6I 8829	GE 120 ES	MB 120	120 FS 180	GE 120 ES
6I 8830	GE 140 ES	MB 140	140 FS 180	GE 140 ES
6V 9274	GE 15 ES	MB 15	15 FS 26	GE 15 ES
6V 7668	GE 17 ES	MB 17	17 FS 30	GE 17 ES
9N 4661	GE 17 ES 2RS	MB 17 SS	17 FS 30 SS	GE 17 ES 2RS
6V 9275	GE 20 ES	MB 20	20 FS 25	GE 20 ES
6V 7669	GE 25 ES	MB 25	25 FS 42	GE 25 ES
9W 2401	GE 30 ES	MB 30	30 FS 47	GE 30 ES
8T 0317	GE 45 ES 2RS	MB 45 SS	45 FS 68 SS	GE 45 ES 2RS
8T 0333	GE 50 ES	MB 50	50 FS 75	GE 50 ES
8G 4189	GE 60 ES	MB 60	60 FS 90	GE 60 ES
132 0491	GE 80 ES	MB 80	80 FS 120	GE 80 ES
3W 8570	GE 90 ES	MB 90	90 FS 130	GE 90 ES
3G 5337	GEZ 101 ES	B 64 L	40 SF 64	GEZ 400 ES
6Y 4689	GEZ 101 ES 2RS	B 64 LSS	40 SF 64 SS	GEZ 400 ES 2RS
6Y 9379	GEZ 114 ES	B 72 9L	45 SF 72	GEZ 408 ES
5P 7212	GEZ 12 ES	B 8 L	5 SF 8	GEZ 008 ES
2U 5291	GEZ 15 ES	B 10 L	6 SF 10	GEZ 010 ES
9M 3914	GEZ 19 ES	B 12 L	7 SF 12	GEZ 012 ES
58639	GEZ 25 ES	B 16 L	10 SF 16	GEZ 100 ES
2D 8652	GEZ 31 ES	B 20 L	12 SF 20	GEZ 104 ES
4D 0298	GEZ 38 ES	B 24 L	15 SF 24	GEZ 108 ES
4V 2057	GEZ 38 ES 2RS	B 24 LSS	15 SF 24 SS	GEZ 108 ES 2RS
4D 4431	GEZ 44 ES	B 28 L	17 SF 28	GEZ 112 ES
9M 1328	GEZ 50 ES	B 32 L	20 SF 32	GEZ 200 ES
6V 5002	GEZ 50 ES 2RS	B 32 LSS	20 SF 32 SS	GEZ 200 ES 2RS
066 5815	GEZ 57 ES	B 36 L	22 SF 36	GEZ 204 ES
6V 5003	GEZ 57 ES 2RS	B 36 LSS	22 SF 36 SS	GEZ 204 ES 2RS
7J 1309	GEZ 63 ES	B 40 L	25 SF 40	GEZ 208 ES
9J 3206	GEZ 63 ES	B 40 L	25 SF 40	GEZ 208 ES
7J 3216	GEZ 69 ES	B 44 L	27 SF 44	GEZ 212 ES
5P 7802	GEZ 69 ES 2RS	B 44 LSS	27 SF 44 SS	GEZ 212 ES 2RS
5J 6424	GEZ 76 ES	B 48 L	30 SF 48	GEZ 300 ES
2U 5289	GEZ 82 ES 2RS	B 52 LSS	32 SF 52 SS	GEZ 304 ES 2RS
5P 7487	GEZ 88 ES	B 56 L	35 SF 56	GEZ 308 ESS
6Y 4457	GEZ 88 ES 2RS	B 56 LSS	35 SF 56 SS	GEZ 308 ES 2RS
117 3006	GEZ 95 ES	B 60 L	37 SF 60	GEZ 312 ES
7T 5459	GEZ 95 ES	B 60 L	37 SF 60	GEZ 312 ES



Enduro™ Bushing OE Interchange Chart

ABI Industries
 6505 San Leandro St.
 Oakland, CA 94621
 Tel: 510 613 8200
 Fax: 510 613 8207

	OEM Part #	Enduro Part #	RBC	Torrington	SKF
C L A R K	3777091	GE 17 ES 2RS	MB 17 SS	N/A	GE 17 ES 2RS
	2786209	GE 20 ES 2RS	MB 20 SS	20 FS 35 SS	GE 20 ES 2RS
	3738755	GE 20 ES 2RS	MB 20 SS	20 FS 35 SS	GE 20 ES 2RS
	3799599	GE 20 ES 2RS	MB 20 SS	20 FS 35 SS	GE 20 ES 2RS
	3799773	GE 25 ES	MB 25	25 FS 42	GE 25 ES
	2788734	GE 30 ES	MB 30	30 FS 47	GE 30 ES
	2366176	GE 35 ES	MB 35	35 FS 55	GE 35 ES
	6651229	GE 40 ES 2RS	MB 40 SS	40 FS 62 SS	GE 40 ES 2RS
	763906	GEZ 12 ES	B 8 L	5 SF 8	GEZ 008 ES
	763780	GEZ 15 ES	B 10 L	6 SF 10	GEZ 010 ES
	763451	GEZ 19 ES	B 12 L	7 SF 12	GEZ 012 ES
	1310275	GEZ 22 ES	B 14 L	8 SF 14	GEZ 014 ES
	665199	GEZ 25 ES	B 16 L	10 SF 16	GEZ 100 ES
	1300612	GEZ 25 ES 2RS	B 16 LSS	10 SF 16 SS	GEZ 100 ES 2RS
	1564692	GEZ 25 ES 2RS	B 16 LSS	10 SF 16 SS	GEZ 100 ES 2RS
	669928	GEZ 31 ES	B 20 L	12 SF 20	GEZ 104 ES
	1574465	GEZ 31 ES 2RS	B 20 LSS	12 SF 20 SS	GEZ 104 ES 2RS
	1307537	GEZ 34 ES	B 22 L	13 SF 22	GEZ 106 ES
	713418	GEZ 38 ES	B 24 L	15 SF 24	GEZ 108 ES
	1564670	GEZ 38 ES 2RS	B 24 LSS	15 SF 24 SS	GEZ 108 ES 2RS
	6625263	GEZ 38 ES 2RS	B 24 LSS	15 SF 24 SS	GEZ 108 ES 2RS
	1300394	GEZ 44 ES	B 28 L	17 SF 28	GEZ 112 ES
	1574466	GEZ 44 ES 2RS	B 28 LSS	17 SF 28 SS	GEZ 112 ES 2RS
	2110965	GEZ 44 ES 2RS	B 28 LSS	17 SF 28 SS	GEZ 112 ES 2RS
	6658692	GEZ 44 ES 2RS	B 28 LSS	17 SF 28 SS	GEZ 112 ES 2RS
	1300558	GEZ 50 ES	B 32 L	20 SF 32	GEZ 200 ES
	1300152	GEZ 50 ES 2RS	B 32 LSS	20 SF 32 SS	GEZ 200 ES 2RS
	1573309	GEZ 50 ES 2RS	B 32 LSS	20 SF 32 SS	GEZ 200 ES 2RS
1300326	GEZ 57 ES 2RS	B 36 LSS	22 SF 36 SS	GEZ 204 ES 2RS	
669896	GEZ 63 ES	B 40 L	25 SF 40	GEZ 208 ES	
1300553	GEZ 63 ES 2RS	B 40 LSS	25 SF 40 SS	GEZ 208 ES 2RS	
1776027	B 74945	B 74945	N/A	365514	
1301478	GEZ 76 ES	B 48 L	30 SF 48	GEZ 300 ES	
E U C I D	4022463	GEWZ 88 ES/K2	B 75062 EL	N/A	BLRB 366752
	4084159	GEWZ 101 ES/K2	B 7563 EL	N/A	N/A
	4022462	GEWZ 101 ES/K2	B 7563 EL	N/A	N/A
	4039220	GEWZ 101 XS/QK2	N/A	N/A	N/A
	4007326	GEZ 101 ES	B 64 L	40 SF 64	GEZ 400 ES
	4200470	GEZ 114 ES	B 72 9L	45 SF 72	GEZ 408 ES
	1573309	GEZ 50 ES	B 32 L	20 SF 32	GEZ 200 ES
	4021535	GEZ 63 ES	B 40 L	25 SF 40	GEZ 208 ES
	4200112	GEZ 76 ES 2RS	B 48 LSS	30 SF 48 SS	GEZ 300 ES 2RS



Enduro™ Bushing OE Interchange Chart

ABI Industries
 6505 San Leandro St.
 Oakland, CA 94621
 Tel: 510 613 8200
 Fax: 510 613 8207

	OEM Part #	Enduro Part #	RBC	Torrington	SKF
H y s t e r	302 5206	GE 17 ES 2RS	MB 17 SS	N/A	GE 17 ES 2RS
	301 4177	GE 25 ES	MB 25	25 FS 42	GE 25 ES
	503229200	GE 25 ES	MB 25	25 FS 42	GE 25 ES
	304 2792	GE 30 ES 2RS	MB 30 SS	30 FS 47 SS	GE 30 ES 2RS
	192 170	GEZ 19 ES 2RS	B 12 L	7 SF 12	GEZ 012 ES
	308 086	GEZ 25 ES 2RS	B 16 LSS	10 SF 16 SS	GEZ 100 ES 2RS
	272 992	GEZ 31 ES 2RS	B 20 LSS	12 SF 20 SS	GEZ 104 ES 2RS
	185 074	GEZ 38 ES 2RS	B 24 LSS	15 SF 24 SS	GEZ 108 ES 2RS
	178 015	GEZ 44 ES 2RS	B 28 LSS	17 SF 28 SS	GEZ 112 ES 2RS
	178 016	GEZ 50 ES 2RS	B 32 LSS	20 SF 32 SS	GEZ 200 ES 2RS
178 017	GEZ 57 ES 2RS	B 36 LSS	22 SF 36 SS	GEZ 204 ES 2RS	
J o h n D e e r e	AT 133366	GE 45 ES	MB 45	45 FS 68	GE 45 ES
	AT 128773	GE 50 ES	MB 50	50 FS 75	GE 50 ES
	AT 128774	GE 60 ES	MB 60	60 FS 90	GE 60 ES
	AT 142307	GE 70 ES 2RS	MB 70 SS	70 FS 105 SS	GE 70 ES 2RS
	AT 125753	GEG 45 ES 2RS	MBH 4550	N/A	GEH 45 2RS
	AT 157173	GEG 45 ES 2RS	MBH 4550	N/A	GEH 45 2RS
	AT 157174	GEG 50 ES 2RS	MBH 5060	N/A	GEH 50 2RS
	AT 157247	GEG 70 ES 2RS	MBH 7080	N/A	GEH 70 2RS
AT 125755	GEG 70 ES 2RS	MBH 7080	N/A	GEH 70 2RS	
K o e h r i n g	403 V 2790	GEZ 101 ES	B 64 L	40 SF 64	GEZ 400 ES
	403 V 8670	GEZ 114 ES	B 72 9L	45 SF 72	GEZ 408 ES
	403 V 8870	GEZ 127 ES	B 80 9L	50 SF 80	GEZ 500 ES
	403 V 9070	GEZ 152 ES	B 96 9L	60 SF 96	GEZ 600 ES
	403 V 6371	GEZ 22 ES	B 14 L	8 SF 14	GEZ 014 ES
	403 V 6470	GEZ 25 ES	B 16 L	10 SF 16	GEZ 100 ES
	403 V 6670	GEZ 31 ES	B 20 L	12 SF 20	GEZ 104 ES
	403 V 6971	GEZ 38 ES	B 24 L	15 SF 24	GEZ 108 ES
	403 V 7391	GEZ 50 ES	B 32 L	20 SF 32	GEZ 200 ES
	8065636	GEZ 50 ES 2RS	B 32 LSS	20 SF 32 SS	GEZ 200 ES 2RS
	403 V 7470	GEZ 57 ES	B 36 L	22 SF 36	GEZ 204 ES
	8065637	GEZ 63 ES	B 40 L	25 SF 40	GEZ 208 ES
	403 V 7682	GEZ 63 ES	B 40 L	25 SF 40	GEZ 208 ES
	8065635	GEZ 69 ES	B 44 L	27 SF 44	GEZ 212 ES
	403 V 7870	GEZ 69 ES	B 44 L	27 SF 44	GEZ 212 ES
	403 V 7980	GEZ 76 ES	B 48 L	30 SF 48	GEZ 300 ES
	403 V 8170	GEZ 82 ES	B 52 L	32 SF 52	GEZ 304 ES
	403 V 8292	GEZ 88 ES	B 56 L	35 SF 56	GEZ 308 ESS
	901 V 3373	GEZ 88 ES 2RS	B 56 LSS	35 SF 56 SS	GEZ 308 ES 2RS
	403 V 8470	GEZ 95 ES	B 60 L	37 SF 60	GEZ 312 ES



Enduro™ Bushing OE Interchange Chart

ABI Industries
 6505 San Leandro St.
 Oakland, CA 94621
 Tel: 510 613 8200
 Fax: 510 613 8207

	OEM Part #	Enduro Part #	RBC	Torrington	SKF
K o m a t s u	PB 8931	GE 140 ES	MB 140	140 FS 180	GE 140 ES
	VA 0538	GEZ 101 ES	B 64 L	40 SF 64	GEZ 400 ES
	VA 0960	GEZ 101 ES 2RS	B 64 LSS	40 SF 64 SS	GEZ 400 ES 2RS
	VL 4292	GEZ 114 ES	B 72 9 L	45 SF 72	GEZ 408 ES
	VL 4293	GEZ 114 ES	B 72 9 L	45 SF 72	GEZ 408 ES
	WA 6182	GEZ 114 ES 2RS	B 72 9 LSS	45 SBB 72 SS	GEZ 408 ES 2RS
	PB 9622	GEZ 127 ES	B 80 9 L	50 SF 80	GEZ 500 ES
	PB 0027	GEZ 127 ES	B 80 9 L	50 SF 80	GEZ 500 ES
	PB 5304	GEZ 152 ES	B 96 9 L	60 SF 96	GEZ 600 ES
	PB 6612	GEZ 152 ES	B 96 9 L	60 SF 96	GEZ 600 ES
	PB 6634	GEZ 152 ES	B 96 9 L	60 SF 96	GEZ 600 ES
	3031258 R92	GEZ 152 ES	B 96 9 L	60 SF 96	GEZ 600 ES
	607054 R91	GEZ 19 ES	B 12 L	7 SF 12	GEZ 012 ES
	62564	GEZ 25 ES	B 16 L	10 SF 16	GEZ 100 ES
	VM 8596	GEZ 25 ES	B 16 L	10 SF 16	GEZ 100 ES
	149401 H1	GEZ 31 ES	B 20 L	12 SF 20	GEZ 104 ES
	SV 4056	GEZ 31 ES	B 20 L	12 SF 20	GEZ 104 ES
	SV 4056	GEZ 31 ES	B 20 L	12 SF 20	GEZ 104 ES
	VP 4173	GEZ 31 ES	B 20 L	12 SF 20	GEZ 104 ES
	VH 8728	GEZ 38 ES	B 24 L	15 SF 24	GEZ 108 ES
	63096	GEZ 38 ES	B 24 L	15 SF 24	GEZ 108 ES
	PB 2539	GEZ 38 ES 2RS	B 24 LSS	15 SF 24 SS	GEZ 108 ES 2RS
	613524 C91	GEZ 44 ES	B 28 L	17 SF 28	GEZ 112 ES
	TL 8039	GEZ 44 ES	B 28 L	17 SF 28	GEZ 112 ES
	128107 H1	GEZ 50 ES	B 32 L	20 SF 32	GEZ 200 ES
	TG 5295	GEZ 50 ES	B 32 L	20 SF 32	GEZ 200 ES
	PB 2011	GEZ 50 ES 2RS	B 32 LSS	20 SF 32 SS	GEZ 200 ES 2RS
	619773 C91	GEZ 57 ES	B 36 L	22 SF 36	GEZ 204 ES
	VG 8968	GEZ 57 ES	B 36 L	22 SF 36	GEZ 204 ES
	WA 6183	GEZ 57 ES 2RS	B 36 LSS	22 SF 36 SS	GEZ 204 ES 2RS
	531698	GEZ 63 ES	B 40 L	25 SF 40	GEZ 208 ES
	327395 R91	GEZ 63 ES	B 40 L	25 SF 40	GEZ 208 ES
	TH 7096	GEZ 63 ES	B 40 L	25 SF 40	GEZ 208 ES
	TA 4012	GEZ 63 ES 2RS	B 40 LSS	25 SF 40 SS	GEZ 208 ES 2RS
	WA 6189	GEZ 63 ES 2RS	B 40 LSS	25 SF 40 SS	GEZ 208 ES 2RS
	VY 5605	GEZ 69 ES	B 44 L	27 SF 44	GEZ 212 ES
	PB 8945	GEZ 69 ES 2RS	B 44 LSS	27 SF 44 SS	GEZ 212 ES 2RS
	3031258 R92	GEZ 76 ES	B 48 L	30 SF 48	GEZ 300 ES
	VH 7349	GEZ 76 ES	B 48 L	30 SF 48	GEZ 300 ES
	TA 4013	GEZ 76 ES 2RS	B 48 LSS	30 SF 48 SS	GEZ 300 ES 2RS
20753	GEZ 82 ES	B 52 L	32 SF 52	GEZ 304 ES	
VG 8967	GEZ 82 ES	B 52 L	32 SF 52	GEZ 304 ES	
TA 4014	GEZ 82 ES 2RS	B 52 LSS	32 SF 52 SS	GEZ 304 ES 2RS	
VL 0094	GEZ 88 ES	B 56 L	35 SF 56	GEZ 308 ES	
PB 5303	GEZ 95 ES	B 60 L	37 SF 60	GEZ 312 ES	
WA 6184	GEZ 95 ES 2RS	B 60 LSS	37 SF 60 SS	GEZ 312 ES 2RS	



Enduro™ Bushing OE Interchange Chart

ABI Industries
 6505 San Leandro St.
 Oakland, CA 94621
 Tel: 510 613 8200
 Fax: 510 613 8207

	OEM Part #	Enduro Part #	RBC	Torrington	SKF
L B a n d / k e r	L 0009249628	GE 25 ES	MB 25	25 FS 42	GE 25 ES
	L 9512000307	GE 30 ES	MB 30	30 FS 47	GE 30 ES
	L 9512000357	GE 35 ES	MB 35	35 FS 55	GE 35 ES
	L A5514352 011	GE 50 ES 2RS	MB 50 SS	50 FS 75 SS	GE 50 ES 2RS
	L 9512092305	GE 60 ES 2RS	MB 60 SS	60 FS 90 SS	GE 60 ES 2RS
	704444	GEZ 15 ES	B 10 L	6 SF 10	GEZ 010 ES
L u i i	10728455	GEWZ 15 ES	B 10 EL	N/A	GEZM 010 ES
	10718718	GEZ 15 ES	B 10 L	6 SF 10	GEZ 010 ES
	P 18718	GEZ 15 ES	B 10 L	6 SF 10	GEZ 010 ES
	P 11496	GEZ 19 ES	B 12 L	7 SF 12	GEZ 012 ES
	10711430	GEZ 25 ES	B 16 L	10 SF 16	GEZ 100 ES
	P 11430	GEZ 25 ES	B 16 L	10 SF 16	GEZ 100 ES
	10713449	GEZ 38 ES	B 24 L	15 SF 24	GEZ 108 ES
	P 13449	GEZ 38 ES	B 24 L	15 SF 24	GEZ 108 ES
	10725788	GEZ 44 ES 2RS	B 28 LSS	17 SF 28 SS	GEZ 112 ES 2RS
	P 25788	GEZ 44 ES 2RS	B 28 LSS	17 SF 28 SS	GEZ 112 ES 2RS
	P 18830	GEZ 50 ES	B 32 L	20 SF 32	GEZ 200 ES
	10718830	GEZ 50 ES	B 32 L	20 SF 32	GEZ 200 ES
	10720484	GEZ 63 ES	B 40 L	25 SF 40	GEZ 208 ES
	P 20484	GEZ 63 ES	B 40 L	25 SF 40	GEZ 208 ES
	P 26223	GEZ 76 ES	B 48 L	30 SF 48	GEZ 300 ES
	10725494	GEZ 88 ES	B 56 L	35 SF 56	GEZ 308 ESS
R a y m o n d	444 203	GACZ 38 S	B 24 SA	15 SBT 24	N/A
	460 661	GEZ 15 ES	B 10 L	6 SF 10	GEZ 010 ES
	460 680	GEZ 19 ES	B 12 L	7 SF 12	GEZ 012 ES
	460 690	GEZ 22 ES	B 14 L	8 SF 14	GEZ 014 ES
	460 693	GEZ 25 ES	B 16 L	10 SF 16	GEZ 100 ES
	460 695	GEZ 31 ES 2RS	B 20 LSS	12 SF 20 SS	GEZ 104 ES 2RS
	460 696	GEZ 38 ES	B 24 L	15 SF 24	GEZ 108 ES
	460 710	GEZ 50 ES 2RS	B 32 LSS	20 SF 32 SS	GEZ 200 ES 2RS
S k y t r a c k	8065636	GEZ 50 ES	B 32 L	20 SF 32	GEZ 200 ES
	8065640	GEZ 50 ES 2RS	B 32 LSS	20 SF 32 SS	GEZ 200 ES 2RS
	8065637	GEZ 63 ES	B 40 L	25 SF 40	GEZ 208 ES
	80565641	GEZ 69 ES 2RS	B 44 LSS	27 SF 44 SS	GEZ 212 ES 2RS
T C M	510F242211	GE 15 ES 2RS	MB 15	N/A	GE 15 ES
	514A242211	GEF 20 ES	N/A	N/A	N/A



Enduro™ Bushing OE Interchange Chart

ABI Industries
 6505 San Leandro St.
 Oakland, CA 94621
 Tel: 510 613 8200
 Fax: 510 613 8207

T
E
R
E
X

OEM Part #	Enduro Part #	RBC	Torrington	SKF
1006221	GACZ 101 S	B 64 SA	40 SBT 64	GAZ 400 SA
3777091	GE 17 ES 2RS	MB 17 SS	N/A	GE 17 ES 2RS
2786209	GE 20 ES 2RS	MB 20 SS	20 FS 35 SS	GE 20 ES 2RS
3799599	GE 20 ES 2RS	MB 20 SS	20 FS 35 SS	GE 20 ES 2RS
3977773	GE 25 ES	MB 25	25 FS 42	GE 25 ES
2788734	GE 30 ES	MB 30	30 FS 47	GE 30 ES
2366176	GE 35 ES	MB 35	35 FS 55	GE 35 ES
9397102	GE 45 ES	MB 45	45 FS 68	GE 45 ES
1217-354	GEWZ 25 ES 2RS	B 16 EL	N/A	GEZM 100 ES
1004389	GEWZ 38 ES 2RS	B 24 EL	N/A	GEZM 108 ES
1006193	GEWZ 50 ES 2RS	B 32 EL	N/A	GEZM 200 ES
1004392	GEWZ 76 ES	B 48 EL	N/A	GEZM 300 ES
1004391	GEWZ 88 ES	B 56 EL	N/A	GEZM 308 ES
16965	GEZ 101 ES	B 64 L	40 SF 64	GEZ 400 ES
9216905	GEZ 101 ES	B 64 L	40 SF 64	GEZ 400 ES
403V2790	GEZ 101 ES	B 64 L	40 SF 64	GEZ 400 ES
A125286	GEZ 101 ES	B 64 L	40 SF 64	GEZ 400 ES
26580204	GEZ 101 ES 2RS	B 64 LSS	40 SF 64 SS	GEZ 400 ES 2RS
17942	GEZ 114 ES	B 72 9 L	45 SF 72	GEZ 408 ES
403V8670	GEZ 114 ES	B 72 9 L	45 SF 72	GEZ 408 ES
761010779800	GEZ 114 ES	B 72 9 L	45 SF 72	GEZ 408 ES
763906	GEZ 12 ES	B 8 L	5 SF 8	GEZ 008 ES
1029058	GEZ 12 ES	B 8 L	5 SF 8	GEZ 008 ES
947095	GEZ 127 ES	B 80 9 L	50 SF 80	GEZ 500 ES
403V8870	GEZ 127 ES	B 80 9 L	50 SF 80	GEZ 500 ES
761010147500	GEZ 15 ES	B 10 L	6 SF 10	GEZ 010 ES
403V9070	GEZ 152 ES	B 96 9 L	60 SF 96	GEZ 600 ES
31000009	GEZ 152 ES 2RS	B 96 9 LSS	60 SBB 96 SS	GEZ 600 ES 2RS
763451	GEZ 19 ES	B 12 L	7 SF 12	GEZ 012 ES
1011712	GEZ 19 ES	B 12 L	7 SF 12	GEZ 012 ES
1217-278	GEZ 19 ES	B 12 L	7 SF 12	GEZ 012 ES
1214-48	GEZ 22 ES	B 14 L	8 SF 14	GEZ 014 ES
665199	GEZ 25 ES	B 16 L	10 SF 16	GEZ 100 ES
76101038	GEZ 25 ES	B 16 L	10 SF 16	GEZ 100 ES
207122	GEZ 25 ES 2RS	B 16 LSS	10 SF 16 SS	GEZ 100 ES 2RS
1300612	GEZ 25 ES 2RS	B 16 LSS	10 SF 16 SS	GEZ 100 ES 2RS
669928	GEZ 31 ES	B 20 L	12 SF 20	GEZ 104 ES
403V6670	GEZ 31 ES	B 20 L	12 SF 20	GEZ 104 ES
9039496	GEZ 31 ES 2RS	B 20 LSS	12 SF 20 SS	GEZ 104 ES 2RS
1307537	GEZ 34 ES	B 22 L	13 SF 22	GEZ 106 ES
9227325	GEZ 38 ES	B 24 L	15 SF 24	GEZ 108 ES
1217-241	GEZ 38 ES	B 24 L	15 SF 24	GEZ 108 ES
1564670	GEZ 38 ES 2RS	B 24 LSS	15 SF 24 SS	GEZ 108 ES 2RS
9014053	GEZ 38 ES 2RS	B 24 LSS	15 SF 24 SS	GEZ 108 ES 2RS
1300394	GEZ 44 ES	B 28 L	17 SF 28	GEZ 112 ES
1217-182	GEZ 44 ES	B 28 L	17 SF 28	GEZ 112 ES
1574466	GEZ 44 ES 2RS	B 28 LSS	17 SF 28 SS	GEZ 112 ES 2RS
25656	GEZ 50 ES	B 32 L	20 SF 32	GEZ 200 ES
1300558	GEZ 50 ES	B 32 L	20 SF 32	GEZ 200 ES
9015216	GEZ 50 ES	B 32 L	20 SF 32	GEZ 200 ES



Enduro™ Bushing OE Interchange Chart

ABI Industries
 6505 San Leandro St.
 Oakland, CA 94621
 Tel: 510 613 8200
 Fax: 510 613 8207

	OEM Part #	Enduro Part #	RBC	Torrington	SKF
T E R E X	1217 188	GEZ 50 ES	B 32 L	20 SF 32	GEZ 200 ES
	1573309	GEZ 50 ES 2RS	B 32 LSS	20 SF 32 SS	GEZ 200 ES 2RS
	9255985	GEZ 50 ES 2RS	B 32 LSS	20 SF 32 SS	GEZ 200 ES 2RS
	9245374	GEZ 57 ES	B 36 L	22 SF 36	GEZ 204 ES
	91102882	GEZ 57 ES	B 36 L	22 SF 36	GEZ 204 ES
	403V4740	GEZ 57 ES	B 36 L	22 SF 36	GEZ 204 ES
	1212 339	GEZ 57 ES 2RS	B 36 LSS	22 SF 36 SS	GEZ 204 ES 2RS
	1217 339	GEZ 57 ES 2RS	B 36 LSS	22 SF 36 SS	GEZ 204 ES 2RS
	19614	GEZ 63 ES	B 40 L	25 SF 40	GEZ 208 ES
	9167506	GEZ 63 ES	B 40 L	25 SF 40	GEZ 208 ES
	31000136	GEZ 63 ES	B 40 L	25 SF 40	GEZ 208 ES
	1217 240	GEZ 63 ES	B 40 L	25 SF 40	GEZ 208 ES
	761010680000	GEZ 63 ES	B 40 L	25 SF 40	GEZ 208 ES
	9211100	GEZ 69 ES	B 44 L	27 SF 44	GEZ 212 ES
	403V7870	GEZ 69 ES	B 44 L	27 SF 44	GEZ 212 ES
	761010710000	GEZ 69 ES	B 44 L	27 SF 44	GEZ 212 ES
	16927	GEZ 76 ES	B 48 L	30 SF 48	GEZ 300 ES
	1301478	GEZ 76 ES	B 48 L	30 SF 48	GEZ 300 ES
	9001021	GEZ 76 ES	B 48 L	30 SF 48	GEZ 300 ES
	403V7970	GEZ 76 ES	B 48 L	30 SF 48	GEZ 300 ES
	9250454	GEZ 76 ES 2RS	B 48 LSS	30 SF 48 SS	GEZ 300 ES 2RS
	9050454	GEZ 76 ES 2RS	B 48 LSS	30 SF 48 SS	GEZ 300 ES 2RS
	9063933	GEZ 82 ES	B 52 L	32 SF 52	GEZ 304 ES
	403V8170	GEZ 82 ES	B 52 L	32 SF 52	GEZ 304 ES
	761010771600	GEZ 82 ES	B 52 L	32 SF 52	GEZ 304 ES
	204121	GEZ 82 ES 2RS	B 52 LSS	32 SF 52 SS	GEZ 304 ES 2RS
	16964	GEZ 88 ES	B 56 L	35 SF 56	GEZ 308 ESS
	9010661	GEZ 88 ES	B 56 L	35 SF 56	GEZ 308 ESS
	403V8292	GEZ 88 ES	B 56 L	35 SF 56	GEZ 308 ESS
	82076530	GEZ 88 ES 2RS	B 56 LSS	35 SF 56 SS	GEZ 308 ES 2RS
901V3373	GEZ 88 ES 2RS	B 56 LSS	35 SF 56 SS	GEZ 308 ES 2RS	
403V8470	GEZ 95 ES	B 60 L	37 SF 60	GEZ 312 ES	
T R A K	8065636	GEZ 50 ES	B 32 L	20 SF 32	GEZ 200 ES
	8065640	GEZ 50 ES 2RS	B 32 LSS	20 SF 32 SS	GEZ 200 ES 2RS
	8065637	GEZ 63 ES	B 40 L	25 SF 40	GEZ 208 ES
	8065641	GEZ 69 ES 2RS	B 44 LSS	27 SF 44 SS	GEZ 212 ES 2RS
U N I T R I G	1004389	GEWZ 38 ES	B 24 EL	N/A	GEZM 108 ES
	1004392	GEWZ 76 ES	B 48 EL	N/A	GEZM 300 ES
	1006224	GEWZ 76 ES/K	N/A	N/A	N/A
	1004391	GEWZ 88 ES	B 56 EL	N/A	GEZM 308 ES
	16965	GEZ 101 ES	B 64 L	40 SF 64	GEZ 400 ES
	17942	GEZ 114 ES	B 72 9 L	45 SF 72	GEZ 408 ES
	947095	GEZ 127 ES	B 80 9 L	50 SF 80	GEZ 500 ES
	22338	GEZ 152 ES	B 96 9 L	60 SF 96	GEZ 600 ES
	150392	GEZ 22 ES	B 14 L	8 SF 14	GEZ 014 ES
	17797	GEZ 25 ES	B 16 L	10 SF 16	GEZ 100 ES
	19970	GEZ 31 ES	B 20 L	12 SF 20	GEZ 104 ES
	21041	GEZ 44 ES	B 28 L	17 SF 28	GEZ 112 ES



Enduro™ Bushing OE Interchange Chart

ABI Industries
 6505 San Leandro St.
 Oakland, CA 94621
 Tel: 510 613 8200
 Fax: 510 613 8207

OEM Part #	Enduro Part #	RBC	Torrington	SKF
25656	GEZ 50 ES	B 32 L	20 SF 32	GEZ 200 ES
150281	GEZ 57 ES	B 36 L	22 SF 36	GEZ 204 ES
19614	GEZ 63 ES	B 40 L	25 SF 40	GEZ 208 ES
16927	GEZ 76 ES	B 48 L	30 SF 48	GEZ 300 ES
26448	GEZ 82 ES	B 52 L	32 SF 52	GEZ 304 ES
16964	GEZ 88 ES	B 56 L	35 SF 56	GEZ 308 ESS

V e r m e e r	77103616	GE 20 ES	MB 20	20 FS 25	GE 20 ES
	1747 001 1	GEZ 25 ES	B 16 L	10 SF 16	GEZ 100 ES
	1747 003 1	GEZ 31 ES	B 20 L	12 SF 20	GEZ 104 ES
	1747 005 1	GEZ 38 ES	B 24 L	15 SF 24	GEZ 108 ES
	1747 004 1	GEZ 44 ES	B 28 L	17 SF 28	GEZ 112 ES
	1747 009 1	GEZ 50 ES	B 32 L	20 SF 32	GEZ 200 ES
	665815	GEZ 57 ES	B 36 L	22 SF 36	GEZ 204 ES

V M E	127596	GACZ 44 S	B 28 SA	17 SBT 28	GAZ 112 SA
	127635	GACZ 50 S	B 32 A	20 SBT 32	GAZ 200 SA
	128026	GACZ 57 S	B 36 A	22 SBT 36	GAZ 204 S
	129034	GACZ 63 S	B 40 A	25 SBT 40	GAZ 208 SA
	184724	GE 12 E	MB 120	12 FS 22	GE 12 E
	4823444 7	GE 12 E	MB 120	12 FS 22	GE 12 E
	3777091	GE 17 ES 2RS	MB 17 SS	N/A	GE 17 ES 2RS
	4823801 8	GE 17 ES 2RS	MB 17 SS	N/A	GE 17 ES 2RS
	3799599	GE 20 ES	MB 20	20 FS 25	GE 20 ES
	3738755	GE 20 ES 2RS	MB 20 SS	20 FS 35 SS	GE 20 ES 2RS
	183785	GE 25 ES	MB 25	25 FS 42	GE 25 ES
	1837855	GE 25 ES	MB 25	25 FS 42	GE 25 ES
	183433	GE 30 ES 2RS	MB 30 SS	30 FS 47 SS	GE 30 ES 2RS
	184059	GE 35 ES	MB 35	35 FS 55	GE 35 ES
	2366176	GE 35 ES	MB 35	35 FS 55	GE 35 ES
	184428	GE 40 ES	MB 40	40 FS 62	GE 40 ES
	6645259	GE 40 ES 2RS	MB 40 SS	40 FS 62 SS	GE 40 ES 2RS
	183787	GE 45 ES	MB 45	45 FS 68	GE 45 ES
	183679	GE 50 ES	MB 50	50 FS 75	GE 50 ES
	4780963	GE 50 ES	MB 50	50 FS 75	GE 50 ES
	4780963 7	GE 50 ES	MB 50	50 FS 75	GE 50 ES
	184062	GE 50 ES 2RS	MB 50 SS	50 FS 75 SS	GE 50 ES 2RS
	4787550 5	GE 50 ES 2RS	MB 50 SS	50 FS 75 SS	GE 50 ES 2RS
	356313	GE 60 ES	MB 60	60 FS 90	GE 60 ES
	7183680 3	GE 70 ES	MB 70	70 FS 105	GE 70 ES
	184179	GE 70 ES 2RS	MB 70 SS	70 FS 105 SS	GE 70 ES 2RS
	4780220 2	GE 70 ES 2RS	MB 70 SS	70 FS 105 SS	GE 70 ES 2RS
	6624649	GE 80 ES	MB 80	80 FS 120	GE 80E
	183746	GE 90 ES	MB 90	90 FS 130	GE 90 ES
	4039220	GEWZ 101 XS/QK2	B 75068 EL	N/A	N/A
	4068077	GEWZ 63 ES	B 40 EL	N/A	GEZM 208 ES
	12569372	GEWZ 76 ES/K	N/A	N/A	N/A
	4007326	GEZ 101 ES	B 64 L	40 SF 64	GEZ 400 ES
1577520	GEZ 101 ES 2RS	B 64 LSS	40 SF 64 SS	GEZ 400 ES 2RS	
561085	GEZ 114 ES	B 72 9L	45 SF 72	GEZ 408 ES	



Enduro™ Bushing OE Interchange Chart

ABI Industries
 6505 San Leandro St.
 Oakland, CA 94621
 Tel: 510 613 8200
 Fax: 510 613 8207

	OEM Part #	Enduro Part #	RBC	Torrington	SKF
V M E	4200470	GEZ 114 ES	B 72 9 L	45 SF 72	GEZ 408 ES
	763906	GEZ 12 ES	B 8 L	5 SF 8	GEZ 008 ES
	1308679	GEZ 127 ES	B 80 9 L	50 SF 80	GEZ 500 ES
	4039047	GEZ 127 ES	B 80 9 L	50 SF 80	GEZ 500 ES
	4092037	GEZ 127 ES	B 80 9 L	50 SF 80	GEZ 500 ES
	1577508	GEZ 127 ES 2RS	B 80 9 LSS	50 SBB 80 SS	GEZ 500 ES 2RS
	763780	GEZ 15 ES	B 10 L	6 SF 10	GEZ 010 ES
	4073359	GEZ 152 ES	B 96 9 L	60 SF 96	GEZ 600 ES
	763451	GEZ 19 ES	B 12 L	7 SF 12	GEZ 012 ES
	1310275	GEZ 22 ES	B 14 L	8 SF 14	GEZ 014 ES
	665199	GEZ 25 ES	B 16 L	10 SF 16	GEZ 100 ES
	1300612	GEZ 25 ES 2RS	B 16 LSS	10 SF 16 SS	GEZ 100 ES 2RS
	1564692	GEZ 25 ES 2RS	B 16 LSS	10 SF 16 SS	GEZ 100 ES 2RS
	669928	GEZ 31 ES	B 20 L	12 SF 20	GEZ 104 ES
	1574465	GEZ 31 ES 2RS	B 20 LSS	12 SF 20 SS	GEZ 104 ES 2RS
	1307537	GEZ 34 ES	B 22 L	13 SF 22	GEZ 106 ES
	713418	GEZ 38 ES	B 24 L	15 SF 24	GEZ 108 ES
	9227325	GEZ 38 ES	B 24 L	15 SF 24	GEZ 108 ES
	1564670	GEZ 38 ES 2RS	B 24 LSS	15 SF 24 SS	GEZ 108 ES 2RS
	1300394	GEZ 44 ES	B 28 L	17 SF 28	GEZ 112 ES
	1574466	GEZ 44 ES 2RS	B 28 LSS	17 SF 28 SS	GEZ 112 ES 2RS
	1300558	GEZ 50 ES	B 32 L	20 SF 32	GEZ 200 ES
	4200216	GEZ 50 ES	B 32 L	20 SF 32	GEZ 200 ES
	1573309	GEZ 50 ES 2RS	B 32 LSS	20 SF 32 SS	GEZ 200 ES 2RS
	4019726	GEZ 57 ES	B 36 L	22 SF 36	GEZ 204 ES
	1302923	GEZ 57 ES	B 36 L	22 SF 36	GEZ 204 ES
	1564693	GEZ 57 ES 2RS	B 36 LSS	22 SF 36 SS	GEZ 204 ES 2RS
	669896	GEZ 63 ES	B 40 L	25 SF 40	GEZ 208 ES
	4021535	GEZ 63 ES	B 40 L	25 SF 40	GEZ 208 ES
	1564694	GEZ 63 ES 2RS	B 40 LSS	25 SF 40 SS	GEZ 208 ES 2RS
	1526213	GEZ 76 ES	B 48 L	30 SF 48	GEZ 300 ES
	4200112	GEZ 76 ES	B 48 L	30 SF 48	GEZ 300 ES
	1301478	GEZ 76 ES 2RS	B 48 LSS	30 SF 48 SS	GEZ 300 ES 2RS
1567176	GEZ 76 ES 2RS	B 48 LSS	30 SF 48 SS	GEZ 300 ES 2RS	
568953	GEZ 88 ES	B 56 L	35 SF 56	GEZ 308 ESS	
4008009	GEZ 88 ES	B 56 L	35 SF 56	GEZ 308 ESS	
W A G N E R	361036	GACZ 101 S	B 64 SA	40 SBT 64	GAZ 400 SA
	360964	GACZ 127 S	B 80 SA	50 SBT 80	GAZ 500 SA
	362434	GACZ 44 S	B 28 SA	17 SBT 28	GAZ 112 SA
	352843	GACZ 69 S	B 44 SA	27 SBT 44	GAZ 212 SA
	361758	GEZ 101 ES 2RS	B 64 LSS	40 SF 64 SS	GEZ 400 ES 2RS
	356276	GEZ 38 ES 2RS	B 24 LSS	15 SF 24 SS	GEZ 108 ES 2RS
	362470	GEZ 44 ES 2RS	B 28 LSS	17 SF 28 SS	GEZ 112 ES 2RS
	332833	GEZ 50 ES 2RS	B 32 LSS	20 SF 32 SS	GEZ 200 ES 2RS
	361927	GEZ 63 ES 2RS	B 40 LSS	25 SF 40 SS	GEZ 208 ES 2RS
	355620	GEZ 76 ES 2RS	B 48 LSS	30 SF 48 SS	GEZ 300 ES 2RS



Brand Interchange Chart

ABI Industries
6505 San Leandro St.
Oakland, CA 94621
Tel: 510 613 8200
Fax: 510 613 8207

GE Metric Series

ABI part #	RBC	TORRINGTON	SKF	IKO
GE 5 E	n/a	n/a	GE 5 E	GE 5 ES
GE 6 E	n/a	n/a	GE 6 E	GE 6 ES
GE 8 E	n/a	n/a	GE 8 E	GE 8 ES
GE 10 E	n/a	n/a	GE 10 E	GE 10 ES
GE 12 E	MB 12	12 FS 22	GE 12 E	GE 12 ES
GE 15 ES	MB 15	n/a	GE 15 ES	GE 15 ES
GE 15 ES 2RS	MB 15 SS	n/a	GE 15 ES 2RS	GE 15 ES 2RS
GE 17 ES	MB 17	n/a	GE 17 ES	GE 17 ES
GE 17 ES 2RS	MB 17 SS	n/a	GE 17 ES 2RS	GE 17 ES 2RS
GE 20 ES	MB 20	20 FS 35	GE 20 ES	GE 20 ES
GE 20 ES 2RS	MB 20 SS	20 FS 35 SS	GE 20 ES 2RS	GE 20 ES 2RS
GE 25 ES	MB 25	n/a	GE 25 ES	GE 25 ES
GE 25 ES 2RS	MB 25 SS	n/a	GE 25 ES SS	GE 25 ES SS
GE 30 ES	MB 30	30 FS 47	GE 30 ES	GE 30 ES
GE 30 ES 2RS	MB 30 SS	30 FS 47 SS	GE 30 ES 2RS	GE 30 ES 2RS
GE 35 ES	MB 35	35 FS 55	GE 35 ES	GE 35 ES
GE 35 ES 2RS	MB 35 SS	35 FS 55 SS	GE 35 ES 2RS	GE 35 ES 2RS
GE 40 ES	MB 40	40 FS 62	GE 40 ES	GE 40 ES
GE 40 ES 2RS	MB 40 SS	40 FS 62 SS	GE 40 ES 2RS	GE 40 ES 2RS
GE 45 ES	MB 45	45 FS 68	GE 45 ES	GE 45 ES
GE 45 ES 2RS	MB 45 SS	45 FS 68 SS	GE 45 ES 2RS	GE 45 ES 2RS
GE 50 ES	MB 50	50 FS 75	GE 50 ES	GE 50 ES
GE 50 ES 2RS	MB 50 SS	50 FS 75 SS	GE 50 ES 2RS	GE 50 ES 2RS
GE 55 ES	MB 55	n/a	GE 55 ES	GE 55 ES
GE 55 ES 2RS	MB 55 SS	n/a	GE 55 ES 2RS	GE 55 ES 2RS
GE 60 ES	MB 60	60 FS 90	GE 60 ES	GE 60 ES
GE 60 ES 2RS	MB 60 SS	60 FS 90 SS	GE 60 ES 2RS	GE 60 ES 2RS
GE 70 ES	MB 70	70 FS 105	GE 70 ES	GE 70 ES
GE 70 ES 2RS	MB 70 SS	70 FS 105 SS	GE 70 ES 2RS	GE 70 ES 2RS
GE 80 ES	MB 80	80 FS 120	GE 80 ES	GE 80 ES
GE 80 ES 2RS	MB 80 SS	80 FS 120 SS	GE 80 ES 2RS	GE 80 ES 2RS
GE 90 ES	MB 90	90 FS 130	GE 90 ES	GE 90 ES
GE 90 ES 2RS	MB 90 SS	90 FS 130 SS	GE 90 ES 2RS	GE 90 ES 2RS
GE 100 ES	MB 100	100 FS 150	GE 100 ES	GE 100 ES
GE 100 ES 2RS	MB 100 SS	100 FS 150 SS	GE 100 ES 2RS	GE 100 ES 2RS
GE 110 ES	MB 110	110 FS 160	GE 110 ES	GE 110 ES
GE 110 ES 2RS	MB 110 SS	110 FS 160 SS	GE 110 ES 2RS	GE 110 ES 2RS
GE 120 ES	MB 120	120 FS 180	GE 120 ES	GE 120 ES
GE 120 ES 2RS	MB 120 SS	120 FS 180 SS	GE 120 ES 2RS	GE 120 ES 2RS
GE 140 ES	MB 140	140 FS 210	GE 140 ES	GE 140 ES
GE 140 ES 2RS	MB 140 SS	140 FS 210 SS	GE 140 ES 2RS	GE 140 ES 2RS
GE 160 ES	MB 160	160 FS 230	GE 160 ES	GE 160 ES
GE 160 ES 2RS	MB 160 SS	160 FS 230 SS	GE 160 ES 2RS	GE 160 ES 2RS
GE 180 ES	MB 180	180 FS 260	GE 180 ES	GE 180 ES
GE 180 ES 2RS	MB 180 SS	180 FS 260 SS	GE 180 ES 2RS	GE 180 ES 2RS
GE 200 ES	MB 200	200 FS 290	GE 200 ES	GE 200 ES
GE 200 ES 2RS	MB 200 SS	200 FS 290 SS	GE 200 ES 2RS	GE 200 ES 2RS
GE 220 ES	MB 220	220 FS 320	GE 220 ES	GE 220 ES



Brand Interchange Chart

ABI Industries
6505 San Leandro St.
Oakland, CA 94621
Tel: 510 613 8200
Fax: 510 613 8207

GE 220 ES 2RS	MB 220 SS	220 FS 320 SS	GE 220 ES 2RS	GE 220 ES 2RS
GE 240 ES	MB 240	240 FS 340	GE 240 ES	GE 240 ES
GE 240 ES 2RS	MB 240 SS	240 FS 340 SS	GE 240 ES 2RS	GE 240 ES 2RS
GE 260 ES	MB 260	260 FS 370	GE 260 ES	GE 260 ES
GE 260 ES 2RS	MB 260 SS	260 FS 370 SS	GE 260 ES 2RS	GE 260 ES 2RS
GE 280 ES	MB 280	280 FS 400	GE 280 ES	GE 280 ES
GE 280 ES 2RS	MB 280 SS	280 FS 400 SS	GE 280 ES 2RS	GE 280 ES 2RS
GE 300 ES	MB 300	300 FS 430	GE 300 ES	GE 300 ES
GE 300 ES 2RS	MB 300 SS	300 FS 430 SS	GE 300 ES 2RS	GE 300 ES 2RS

GEZ Inch Series

ABI part #	RBC	TORRINGTON	SKF	IKO
GEZ 12 ES	B 8 L	5 SF 8	GEZ 008 ES	SBB 8
GEZ 15 ES	B 10 L	6 SF 10	GEZ 010 ES	SBB 10
GEZ 19 ES	B 12 L	7 SF 12	GEZ 012 ES	SBB 12
GEZ 19 ES 2RS	B 12 LSS	7 SF 12 SS	GEZ 012 ES 2RS	SBB 12 2RS
GEZ 22 ES	B 14 L	8 SF 14	GEZ 014 ES	SBB 14
GEZ 22 ES 2RS	B 14 LSS	8 SF 14 SS	GEZ 014 ES 2RS	SBB 14 2RS
GEZ 25 ES	B 16 L	10 SF 16	GEZ 100 ES	SBB 16
GEZ 25 ES 2RS	B 16 LSS	10 SF 16 SS	GEZ 100 ES 2RS	SBB 16 2RS
GEZ 31 ES	B 20 L	12 SF 20	GEZ 104 ES	SBB 20
GEZ 31 ES 2RS	B 20 LSS	12 SF 20 SS	GEZ 104 ES 2RS	SBB 20 2RS
GEZ 34 ES	B 22 L	13 SF 22	GEZ 106 ES	SBB 22
GEZ 34 ES 2RS	B 22 LSS	13 SF 22 SS	GEZ 106 ES 2RS	SBB 22 2RS
GEZ 38 ES	B 24 L	15 SF 24	GEZ 108 ES	SBB 24
GEZ 38 ES 2RS	B 24 LSS	15 SF 24 SS	GEZ 108 ES 2RS	SBB 24 2RS
GEZ 44 ES	B 28 L	17 SF 28	GEZ 112 ES	SBB 28
GEZ 44 ES 2RS	B 28 LSS	17 SF 28 SS	GEZ 112 ES 2RS	SBB 28 2RS
GEZ 50 ES	B 32 L	20 SF 32	GEZ 200 ES	SBB 32
GEZ 50 ES 2RS	B 32 LSS	20 SF 32 SS	GEZ 200 ES 2RS	SBB 32 2RS
GEZ 57 ES	B 36 L	22 SF 36	GEZ 204 ES	SBB 36
GEZ 57 ES 2RS	B 36 LSS	22 SF 36 SS	GEZ 204 ES 2RS	SBB 36 2RS
GEZ 63 ES	B 40 L	25 SF 40	GEZ 208 ES	SBB 40
GEZ 63 ES 2RS	B 40 LSS	25 SF 40 SS	GEZ 208 ES 2RS	SBB 40 2RS
GEZ 69 ES	B 44 L	24 SF 44	GEZ 212 ES	SBB 44
GEZ 69 ES 2RS	B 44 LSS	27 SF 44 SS	GEZ 212 ES 2RS	SBB 44 2RS
GEZ 76 ES	B 48 L	30 SF 48	GEZ 300 ES	SBB 48
GEZ 76 ES 2RS	B 48 LSS	30 SF 48 SS	GEZ 300 ES 2RS	SBB 48 2RS
GEZ 82 ES	B 52 L	32 SF 52	GEZ 304 ES	SBB 52
GEZ 82 ES 2RS	B 52 LSS	32 SF 52 SS	GEZ 304 ES 2RS	SBB 52 2RS
GEZ 88 ES	B 56 L	35 SF 56	GEZ 308 ES	SBB 56
GEZ 88 ES 2RS	B 56 LSS	35 SF 56 SS	GEZ 308 ES 2RS	SBB 56 2RS
GEZ 95 ES	B 60 L	37 SF 60	GEZ 312 ES	SBB 60
GEZ 95 ES 2RS	B 60 LSS	37 SF 60 SS	GEZ 312 ES 2RS	SBB 60 2RS
GEZ 101 ES	B 64 L	40 SF 64	GEZ 400 ES	SBB 64
GEZ 101 ES 2RS	B 64 LSS	40 SF 64 SS	GEZ 400 ES 2RS	SBB 64 2RS
GEZ 114 ES	B 72 9 L	45 SBB 72	GEZ 408 ES	SBB 72
GEZ 114 ES 2RS	B 72 9 LSS	45 SBB 72 SS	GEZ 408 ES 2RS	SBB 72 2RS
GEZ 120 ES	B 76 9 L	45 SBB 76	GEZ 412 ES	SBB 76
GEZ 120 ES 2RS	B 76 9 LSS	45 SBB 76 SS	GEZ 412 ES 2RS	SBB 76 2RS
GEZ 127 ES	B 80 9 L	50 SBB 80	GEZ 500 ES	SBB 80
GEZ 127 ES 2RS	B 80 9 LSS	50 SBB 80 SS	GEZ 500 ES 2RS	SBB 80 2RS
GEZ 152 ES	B 96 9 L	60 SBB 96	GEZ 600 ES	SBB 96
GEZ 152 ES 2RS	B 96 9 LSS	60 SBB 96 SS	GEZ 600 ES 2RS	SBB 96 2RS



Brand Interchange Chart

ABI Industries
6505 San Leandro St.
Oakland, CA 94621
Tel: 510 613 8200
Fax: 510 613 8207

GEG Heavy-Duty Metric Series

ABI part #	RBC	TORRINGTON	SKF	IKO
GEG 15 ES 2RS	MBH 1517	n/a	GEH 15 2RS	GE 15 GS 2RS
GEG 17 ES 2RS	MBH 1720	n/a	GEH 17 2RS	GE 17 GS 2RS
GEG 20 ES 2RS	MBH 2025	n/a	GEH 20 2RS	GE 20 GS 2RS
GEG 25 ES 2RS	MBH 2530	n/a	GEH 25 2RS	GE 25 GS 2RS
GEG 30 ES 2RS	MBH 3035	n/a	GEH 30 2RS	GE 30 GS 2RS
GEG 35 ES 2RS	MBH 3540	n/a	GEH 35 2RS	GE 35 GS 2RS
GEG 40 ES 2RS	MBH 4045	n/a	GEH 40 2RS	GE 40 GS 2RS
GEG 45 ES 2RS	MBH 4550	n/a	GEH 45 2RS	GE 45 GS 2RS
GEG 50 ES 2RS	MBH 5060	n/a	GEH 50 2RS	GE 50 GS 2RS
GEG 60 ES 2RS	MBH 6070	n/a	GEH 60 2RS	GE 60 GS 2RS
GEG 70 ES 2RS	MBH 7080	n/a	GEH 70 2RS	GE 70 GS 2RS
GEG 80 ES 2RS	MBH 8090	n/a	GEH 80 2RS	GE 80 GS 2RS
GEG 90 ES 2RS	MBH 90100	n/a	GEH 90 2RS	GE 90 GS 2RS
GEG 100 ES 2RS	MBH 100110	n/a	GEH 100 2RS	GE 100 GS 2RS
GEG 110 ES 2RS	MBH 110120	n/a	GEH 110 2RS	GE 110 GS 2RS
GEG 120 ES 2RS	MBH 120140	n/a	GEH 120 2RS	GE 120 GS 2RS
GEG 140 ES 2RS	MBH 140160 9 L	n/a	GEH 140 2RS	GE 140 GS 2RS
GEG 160 ES 2RS	MBH 160180 9 L	n/a	GEH 160 2RS	GE 160 GS 2RS
GEG 180 ES 2RS	MBH 180200 9 L	n/a	GEH 180 2RS	GE 180 GS 2RS
GEG 200 ES 2RS	MBH 200220 9 L	n/a	GEH 200 2RS	GE 200 GS 2RS
GEG 220 ES 2RS	MBH 220240 9 L	n/a	GEH 220 2RS	GE 220 GS 2RS
GEG 240 ES 2RS	MBH 240260 9 L	n/a	GEH 240 2RS	GE 240 GS 2RS
GEG 260 ES 2RS	MBH 260280 9 L	n/a	GEH 260 2RS	GE 260 GS 2RS
GEG 280 ES 2RS	MBH 280300 9 L	n/a	GEH 280 2RS	GE 280 GS 2RS

ABI part #	RBC	TORRINGTON	SKF	IKO
GE 15 FW2RS	n/a	n/a	GEH 15 2RS	n/a
GE 17 FW2RS	n/a	n/a	GEH 17 2RS	n/a
GE 20 FW2RS	n/a	n/a	GEH 20 2RS	n/a
GE 25 FW2RS	n/a	n/a	GEH 25 2RS	n/a
GE 30 FW2RS	n/a	n/a	GEH 30 2RS	n/a
GE 35 FW2RS	n/a	n/a	GEH 35 2RS	n/a
GE 40 FW2RS	n/a	n/a	GEH 40 2RS	n/a
GE 45 FW2RS	n/a	n/a	GEH 45 2RS	n/a
GE 50 FW2RS	n/a	n/a	GEH 50 2RS	n/a
GE 60 FW2RS	n/a	n/a	GEH 60 2RS	n/a
GE 70 FW2RS	n/a	n/a	GEH 70 2RS	n/a
GE 80 FW2RS	n/a	n/a	GEH 80 2RS	n/a
GE 90 FW2RS	n/a	n/a	GEH 90 2RS	n/a
GE 100 FW2RS	n/a	n/a	GEH 100 2RS	n/a
GE 110 FW2RS	n/a	n/a	GEH 110 2RS	n/a
GE 120 FW2RS	n/a	n/a	GEH 120 2RS	n/a
GE 140 FW2RS	n/a	n/a	GEH 140 2RS	n/a
GE 160 FW2RS	n/a	n/a	GEH 160 2RS	n/a
GE 180 FW2RS	n/a	n/a	GEH 180 2RS	n/a
GE 200 FW2RS	n/a	n/a	GEH 200 2RS	n/a
GE 220 FW2RS	n/a	n/a	GEH 220 2RS	n/a
GE 240 FW2RS	n/a	n/a	GEH 240 2RS	n/a
GE 260 FW2RS	n/a	n/a	GEH 260 2RS	n/a
GE 280 FW2RS	n/a	n/a	GEH 280 2RS	n/a



Brand Interchange Chart

ABI Industries
6505 San Leandro St.
Oakland, CA 94621
Tel: 510 613 8200
Fax: 510 613 8207

GE.LO Extended Inner Race Metric Series

ABI part #	RBC	TORRINGTON	SKF	IKO
GE 20 LO	n/a	n/a	GEG 20 ES	n/a
GE 25 LO	n/a	n/a	GEG 25 ES	n/a
GE 30 LO	n/a	n/a	n/a	n/a
GE 32 LO	n/a	n/a	GEG 32 ES	n/a
GE 35 LO	n/a	n/a	n/a	n/a
GE 40 LO	n/a	n/a	GEG 40 ES	n/a
GE 45 LO	n/a	n/a	n/a	n/a
GE 50 LO	n/a	n/a	GEG 50 ES	n/a
GE 60 LO	n/a	n/a	n/a	n/a
GE 63 LO	n/a	n/a	GEG 63 ES	n/a
GE 70 LO	n/a	n/a	n/a	n/a
GE 80 LO	n/a	n/a	n/a	n/a
GE 90 LO	n/a	n/a	n/a	n/a
GE 100 LO	n/a	n/a	GEG 100 ES	n/a
GE 110 LO	n/a	n/a	n/a	n/a
GE 125 LO	n/a	n/a	GEG 125 ES	n/a
GE 160 LO	n/a	n/a	GEG 160 ES	n/a
GE 200 LO	n/a	n/a	GEG 200 ES	n/a

GE.HO.2RS Sealed Extended Inner Ring Metric Series

ABI part #	RBC	TORRINGTON	SKF	IKO
GE 20 HO 2RS	MB 20 E	n/a	GEM 20 ES 2RS	n/a
GE 25 HO 2RS	MB 25 E	n/a	GEM 25 ES 2RS	n/a
GE 30 HO 2RS	MB 30 E	n/a	GEM 30 ES 2RS	n/a
GE 35 HO 2RS	MB 35 E	n/a	GEM 35 ES 2RS	n/a
GE 40 HO 2RS	MB 40 E	n/a	GEM 40 ES 2RS	n/a
GE 45 HO 2RS	MB 45 E	n/a	GEM 45 ES 2RS	n/a
GE 50 HO 2RS	MB 50 E	n/a	GEM 50 ES 2RS	n/a
GE 60 HO 2RS	MB 60 E	n/a	GEM 60 ES 2RS	n/a
GE 70 HO 2RS	MB 70 E	n/a	GEM 70 ES 2RS	n/a
GE 80 HO 2RS	MB 80 E	n/a	GEM 80 ES 2RS	n/a



Brand Interchange Chart

ABI Industries
6505 San Leandro St.
Oakland, CA 94621
Tel: 510 613 8200
Fax: 510 613 8207

GEWZ.ES Extended Inner Ring Inch Series

ABI part #	RBC	TORRINGTON	SKF	IKO
GEWZ 12 ES	B 8 EL	n/a	GEZM 008 ES	n/a
GEWZ 15 ES	B 10 EL	n/a	GEZM 010 ES	n/a
GEWZ 19 ES	B 12 EL	n/a	GEZM 012 ES	n/a
GEWZ 22 ES	B 14 EL	n/a	GEZM 014 ES	n/a
GEWZ 25 ES	B 16 EL	n/a	GEZM 100 ES	n/a
GEWZ 31 ES	B 20 EL	n/a	GEZM 104 ES	n/a
GEWZ 34 ES	B 22 EL	n/a	GEZM 106 ES	n/a
GEWZ 38 ES	B 24 EL	n/a	GEZM 108 ES	n/a
GEWZ 44 ES	B 28 EL	n/a	GEZM 112 ES	n/a
GEWZ 50 ES	B 32 EL	n/a	GEZM 200 ES	n/a
GEWZ 57 ES	B 36 EL	n/a	GEZM 204 ES	n/a
GEWZ 63 ES	B 40 EL	n/a	GEZM 208 ES	n/a
GEWZ 69 ES	B 44 EL	n/a	GEZM 212 ES	n/a
GEWZ 76 ES	B 48 EL	n/a	GEZM 300 ES	n/a
GEWZ 82 ES	B 52 EL	n/a	GEZM 304 ES	n/a
GEWZ 88 ES	B 56 EL	n/a	GEZM 308 ES	n/a
GEWZ 95 ES	B 60 EL	n/a	GEZM 312 ES	n/a
GEWZ 101 ES	B 64 EL	n/a	GEZM 400 ES	n/a
GEWZ 114 ES	B 72 9 EL	n/a	GEZM 408 ES	n/a
GEWZ 127 ES	B 80 9 EL	n/a	GEZM 500 ES	n/a
GEWZ 152 ES	B 96 9 EL	n/a	GEZM 600 ES	n/a
B 74945	B 74945	n/a	365514	n/a

GEWZ.ES.2RS Sealed Extended Inner Race Inch Series

ABI part #	RBC	TORRINGTON	SKF	IKO
GEWZ 12 ES 2RS	B 8 ELSS	n/a	GEZM 008 ES 2RS	n/a
GEWZ 15 ES 2RS	B 10 ELSS	n/a	GEZM 010 ES 2RS	n/a
GEWZ 19 ES 2RS	B 12 ELSS	n/a	GEZM 012 ES 2RS	n/a
GEWZ 22 ES 2RS	B 14 ELSS	n/a	GEZM 014 ES 2RS	n/a
GEWZ 25 ES 2RS	B 16 ELSS	n/a	GEZM 100 ES 2RS	n/a
GEWZ 31 ES 2RS	B 20 ELSS	n/a	GEZM 104 ES 2RS	n/a
GEWZ 34 ES 2RS	B 22 ELSS	n/a	GEZM 106 ES 2RS	n/a
GEWZ 38 ES 2RS	B 24 ELSS	n/a	GEZM 108 ES 2RS	n/a
GEWZ 44 ES 2RS	B 28 ELSS	n/a	GEZM 112 ES 2RS	n/a
GEWZ 50 ES 2RS	B 32 ELSS	n/a	GEZM 200 ES 2RS	n/a
GEWZ 57 ES 2RS	B 36 ELSS	n/a	GEZM 204 ES 2RS	n/a
GEWZ 63 ES 2RS	B 40 ELSS	n/a	GEZM 208 ES 2RS	n/a
GEWZ 69 ES 2RS	B 44 ELSS	n/a	GEZM 212 ES 2RS	n/a
GEWZ 76 ES 2RS	B 48 ELSS	n/a	GEZM 300 ES 2RS	n/a
GEWZ 82 ES 2RS	B 52 ELSS	n/a	GEZM 304 ES 2RS	n/a



Brand Interchange Chart

ABI Industries
6505 San Leandro St.
Oakland, CA 94621
Tel: 510 613 8200
Fax: 510 613 8207

GEWZ 88 ES 2RS	B 56 ELSS	n/a	GEZM 308 ES 2RS	n/a
GEWZ 95 ES 2RS	B 60 ELSS	n/a	GEZM 312 ES 2RS	n/a
GEWZ 101 ES 2RS	B 64 ELSS	n/a	GEZM 400 ES 2RS	n/a
GEWZ 114 ES 2RS	B 72 9 ELSS	n/a	GEZM 408 ES 2RS	n/a
GEWZ 127 ES 2RS	B 80 9 ELSS	n/a	GEZM 500 ES 2RS	n/a
GEWZ 152 ES 2RS	B 96 9 ELSS	n/a	GEZM 600 ES 2RS	n/a

GE.SX Angular Contact Trust Bearing Series

ABI part #	RBC	TORRINGTON	SKF	IKO
GE 25 SX	MB 25 SA	n/a	n/a	n/a
GE 28 SX	n/a	n/a	n/a	n/a
GE 30 SX	MB 30 SA	n/a	n/a	n/a
GE 32 SX	n/a	n/a	n/a	n/a
GE 35 SX	MB 35 SA	n/a	n/a	n/a
GE 40 SX	MB 40 SA	n/a	n/a	n/a
GE 45 SX	MB 45 SA	n/a	n/a	n/a
GE 50 SX	MB 50 SA	n/a	n/a	n/a
GE 55 SX	MB 55 SA	n/a	n/a	n/a
GE 60 SX	MB 60 SA	n/a	n/a	n/a
GE 65 SX	MB 65 SA	n/a	n/a	n/a
GE 70 SX	MB 70 SA	n/a	n/a	n/a
GE 75 SX	n/a	n/a	n/a	n/a
GE 80 SX	MB 80 SA	n/a	n/a	n/a
GE 85 SX	n/a	n/a	n/a	n/a
GE 90 SX	MB 90 SA	n/a	n/a	n/a
GE 95 SX	n/a	n/a	n/a	n/a
GE 100 SX	MB 100 SA	n/a	n/a	n/a
GE 105 SX	n/a	n/a	n/a	n/a
GE 110 SX	MB 110 SA	n/a	n/a	n/a
GE 120 SX	MB 120 SA	n/a	n/a	n/a
GE 130 SX	MB 130 SA	n/a	n/a	n/a
GE 140 SX	MB 140 SA	n/a	n/a	n/a
GE 150 SX	MB 150 SA	n/a	n/a	n/a
GE 160 SX	MB 160 SA	n/a	n/a	n/a
GE 170 SX	MB 170 SA	n/a	n/a	n/a
GE 180 SX	MB 180 SA	n/a	n/a	n/a
GE 190 SX	n/a	n/a	n/a	n/a
GE 200 SX	n/a	n/a	n/a	n/a

GACZ.S Angular Contact Thrust Bearing Inch Series



Brand Interchange Chart

ABI Industries
6505 San Leandro St.
Oakland, CA 94621
Tel: 510 613 8200
Fax: 510 613 8207

ABI part #	RBC	TORRINGTON	SKF	IKO
GACZ 12 S	B 8 SA	5 SBT 80	GAZ 008 SA	n/a
GACZ 15 S	B 10 SA	6 SBT 10	GAZ 010 SA	n/a
GACZ 19 S	B 12 SA	7 SBT 12	GAZ 012 SA	n/a
GACZ 22 S	B 14 SA	8 SBT 14	GAZ 014 SA	n/a
GACZ 25 S	B 16 SA	10 SBT 16	GAZ 100 SA	n/a
GACZ 31 S	B 20 SA	12 SBT 20	GAZ 104 SA	n/a
GACZ 34 S	B 22 SA	13 SBT 22	GAZ 106 SA	n/a
GACZ 38 S	B 24 SA	15 SBT 24	GAZ 108 SA	n/a
GACZ 44 S	B 28 SA	17 SBT 28	GAZ 112 SA	n/a
GACZ 50 S	B 32 SA	20 SBT 32	GAZ 200 SA	n/a
GACZ 57 S	B 36 SA	22 SBT 36	GAZ 204 SA	n/a
GACZ 63 S	B 40 SA	25 SBT 40	GAZ 208 SA	n/a
GACZ 69 S	B 44 SA	27 SBT 44	GAZ 212 SA	n/a
GACZ 76 S	B 48 SA	30 SBT 48	GAZ 300 SA	n/a
GACZ 82 S	B 52 SA	32 SBT 52	GAZ 304 SA	n/a
GACZ 88 S	B 56 SA	35 SBT 56	GAZ 308 SA	n/a
GACZ 95 S	B 60 SA	37 SBT 60	GAZ 312 SA	n/a
GACZ 101 S	B 64 SA	40 SBT 64	GAZ 400 SA	n/a
GACZ 114 S	B 72 SA	45 SBT 72	GAZ 408 SA	n/a
GACZ 127 S	B 80 SA	50 SBT 80	GAZ 500 SA	n/a
GACZ 152 S	B 96 SA	60 SBT 96	GAZ 600 SA	n/a

COM/HCOM Inch Series

ENDURO	HEIM	SPHERCO	SEALMASTER	ALINABAL	SUPERIOR
COM 3	COM 3	COM 3	COM 3	COM 3 E	COM 3
COM 4	COM 4	COM 4	COM 4	COM 4 E	COM 4
COM 5	COM 5	COM 5	COM 5	COM 5 E	COM 5
COM 6	COM 6	COM 6	COM 6	COM 6 E	COM 6
COM 7	COM 7	COM 7	COM 7	COM 7 E	COM 7
COM 8	COM 8	COM 8	COM 8	COM 8 E	COM 8
COM 9	COM 9	COM 9	COM 9	COM 9 E	COM 9
COM 10	COM 10	COM 10	COM 10	COM 10 E	COM 10
COM 12	COM 12	COM 12	COM 12	COM 12 E	COM 12
COM 14	COM 14	COM 14	COM 14	COM 14 E	COM 14
COM 16	COM 16	COM 16	COM 16	COM 16 E	COM 16
HCOM 16	LH 16 D	BH 16 LS	BH 16 LS	n/a	n/a
HCOM 19	LH 19 D	BH 19 LS	BH 19 LS	n/a	n/a
HCOM 20	LH 20 D	BH 20 LS	BH 20 LS	n/a	n/a
HCOM 24	LH 24 D	BH 24 LS	BH 24 LS	n/a	n/a



Brand Interchange Chart

ABI Industries
6505 San Leandro St.
Oakland, CA 94621
Tel: 510 613 8200
Fax: 510 613 8207

HCOM 28	LH 28 D	BH 28 LS	BH 28 LS	n/a	n/a
HCOM 32	LH 32 D	BH 32 LS	BH 32 LS	n/a	n/a

MI Plain Bearing/Roller Bearing Inner Ring Inch Series

ENDURO	RBC	TORRINGTON	INA	McGill
MI 12	IR 7194	IR 121616	PI 121616	MI 12
MI 12N	IR 7193	IR 121612	PI 121612	MI 12 N
MI 13	IR 7194 C	IR 131616		MI 13
MI 13N				MI 13 N
MI 14/A	IR 7215	IR 141820	PI 141820	MI 14
MI 14N	IR 7214	IR 141816	PI 141816	MI 14 N
MI 15	IR 7215 C	IR 151820		MI 15
MI 15N		IR 151816		MI 15 N
MI 16	IR 7235	IR 162020	PI 162020	MI 16
MI 16N	IR 7234	IR 162016	PI 162016	MI 16 N
MI 17	IR 7255 D			MI 17
MI 18	IR 7255	IR 182220	PI 182220	MI 18
MI 19	IR 7275	IR 192420		MI 19
MI 20	IR 7275 C	IR 202420	PI 202420	MI 20
MI 20N		IR 202416	PI 202416	MI 20 N
MI 21	IR 7295	IR 212620		MI 21
MI 21N	IR 7294	IR 212616	PI 212616	MI 21 N
MI 22		IR 222820		MI 22
MI 23	IR 7315	IR 232820	PI 232820	MI 23
MI 23N				MI 23 N
MI 24	IR 7315 C	IR 242820	PI 242820	MI 24
MI 24N		IR 242820	PI 242816	MI 24 N
MI 24/27	IR 7355 D2			
MI 25		IR 253220		MI 25
MI 26	IR 7355 D	IR 263220		MI 26
MI 26N				MI 26 N
MI 27	IR 7355	IR 273220	PI 273220	MI 27
MI 28	IR 8407	IR 283628	PI 283628	MI 28
MI 28N	IR 8406	IR 283624	PI 283624	MI 28 N
MI 30				MI 30
MI 31	IR 8447	IR 314028		MI 31
MI 32	IR 8447 C	IR 324028		MI 32
MI 32N	IR 8446 C	IR 324024	PI 324024	MI 32 N
MI 34	IR 8447 C1			MI 34
MI 35	IR 8477	IR 354428		MI 35
MI 36	IR 8477 C	IR 364428		MI 36
MI 36N	IR 8476 C	IR 364424	PI 364424	MI 36 N
MI 38	IR 8517	IR 384828		MI 38
MI 39				MI 39
MI 40	IR 8517 C	IR 404828		MI 40
MI 40N	IR 8516 C	IR 404824	PI 404824	MI 40 N
M 40/31	IR 8536			



Brand Interchange Chart

ABI Industries
6505 San Leandro St.
Oakland, CA 94621
Tel: 510 613 8200
Fax: 510 613 8207

MI 42	IR 9567 D			MI 42
MI 44	IR 9567	IR 445228	PI 445228	MI 44
MI 46				MI 46
MI 47	IR 9608	IR 475632		MI 47
MI 48	IR 9608 C	IR 485632	PI 485632	MI 48
MI 50	IR 9648	IR 506032		MI 50
MI 52	IR 9648 C	IR 526032		MI 52
MI 54	IR 9688	IR 546432		MI 54
MI 56	IR 9688 C	IR 566432		MI 56
MI 56/41	IR 9718			
MI 56/42				
MI 58	IR 9728 C			MI 58
MI 60	IR 9728 C1	IR 606832		MI 60
MI 60/45				