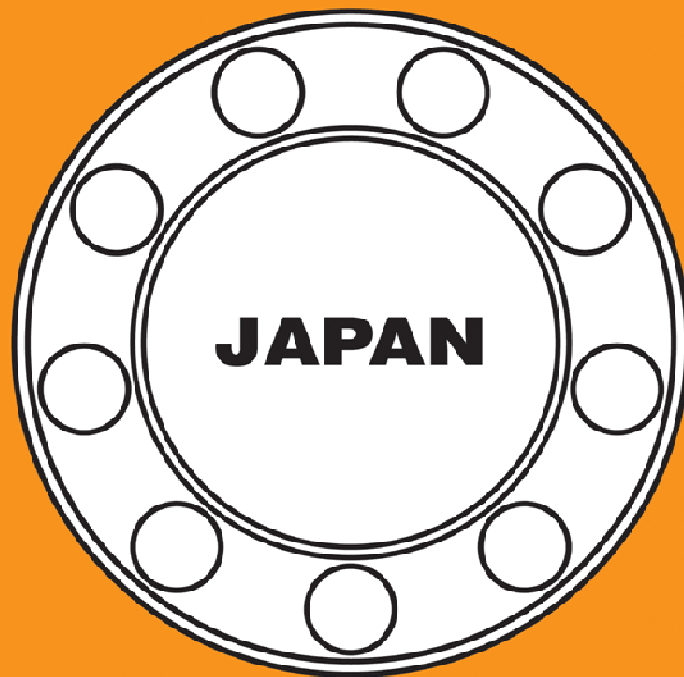


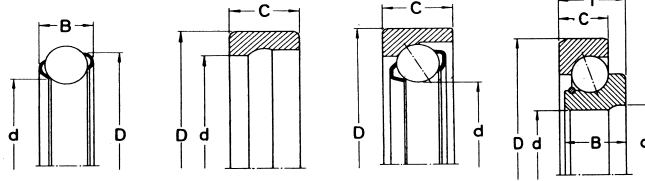
E-CATALOGUES

MBS

BALL & ROLLER BEARINGS



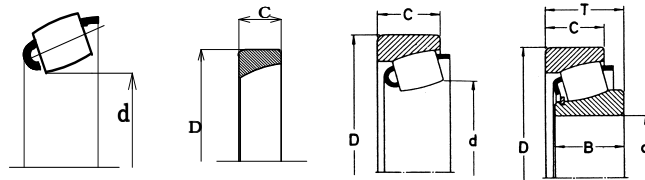
STEERING GEAR BALL BEARING



AC-1 AC-2 AC-3 AC-4

MBS No.	DIMENSIONS (mm)					N.W. (Gr)	DRAWING TYPE
	BORE (d)	OUTER DIAMETER (D)	WIDTH (OUTER RACE) (C)	WIDTH (INNER RACE) (B)	SET WIDTH (T)		
5666683	27.500	38.100	7.900			24	AC-2
5666693	20.000	34.200		9.000		20	AC-1
5666683/93	19.000	38.100			10.500	44	AC-3
5673272	38.460	55.600	7.899			59	AC-2
5673271	29.800	43.000		9.000		30	AC-1
5673272/71	29.800	55.600			11.300	99	AC-3
C4TZ3571A	28.700	50.640		10.800		42	AC-1
C4TZ3552A	37.800	53.975	8.800			57	AC-2
C4TZ3553A	37.800	58.737	9.300			87	AC-2
C4TZ3552A/71A	28.700	53.975			13.900	95	AC-3
C4TZ3553A/71A	28.700	58.737			13.900	127	AC-3
M307487	17.000	32.000			10.110	34	AC-3

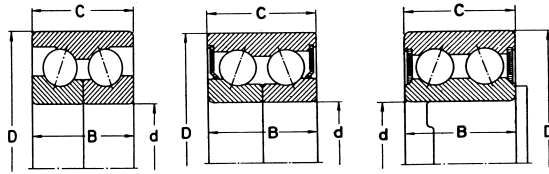
STEERING GEAR SPHERICAL ROLLER BEARING



SP-1 SP-2 SP-3 SP-4

MBS NO.	DIMENSIONS (mm)					N.W. (Gr)	DRAWING TYPE
	BORE (d)	OUTER DIAMETER (D)	WIDTH (OUTER RACE) (C)	WIDTH (INNER RACE) (B)	SET WIDTH (T)		
10790S	23.800	38.300		11.500		34	SP-1
10790Z	33.700	44.501	9.840			40	SP-2
10790SZ	23.800	44.501			11.500	74	SP-3
10983R	30.800	47.400		12.380		48	SP-1
10983Z	42.400	55.613	10.600			68	SP-2
10983RZ	30.800	55.613			13.000	116	SP-3
509043A	26.500	57.000	12.500	10.470	14.800	150	SP-4
502365	26.500	55.000	12.500	9.900	14.250	131	SP-4

DOUBLE-ROW BALL BEARING for WHEEL



DB-1

DB-2

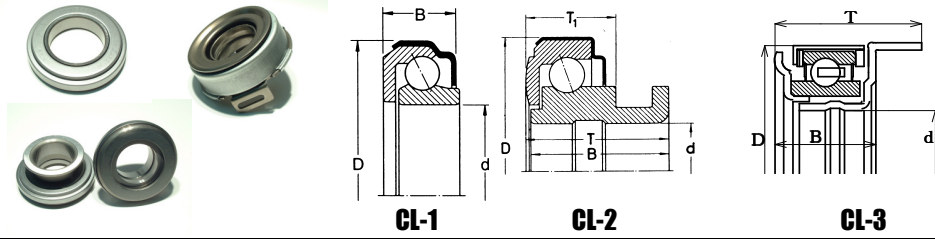
DB-3

MBS No.	DIMENSIONS (mm)				N.W. (Gr)	DRAWING TYPE
	BORE (d)	OUTER DIAMETER (D)	WIDTH (OUTER RACE) (C)	WIDTH (INNER RACE) (B)		
M309726BD	34.000	64.000	37.000	37.000	452	DB-2
MV309692	39.000	68.000	37.000	37.000	488	DB-2
M0895W	41.990	76.000	37.000	40.000	650	DB-2
M3872W	37.990	72.020	33.000	36.000	557	DB-1
M3874W	37.990	74.020	33.000	36.000	608	DB-1
M3668AW	36.000	68.000	33.000	33.000	461	DB-1
M3871W	37.990	71.020	30.000	33.000	475	DB-1
M311396	39.000	72.000	37.000	37.000	572	DB-2
M4074CW	40.000	74.000	34.000	36.000	598	DB-2
M407440W	40.000	74.000	40.000	40.000	639	DB-2
CRI-0822	42.000	72.000	38.000	38.000	514	DB-2
38BWD22-M	37.990	71.000	39.000	39.000	559	DB-2
40BWD12-M	40.000	74.000	42.000	42.000	665	DB-2
40BWD15-M	40.000	74.000	36.000	36.000	574	DB-2
510055	38.000	70.000	37.000	37.000	531	DB-2
MB0814W	38.000	74.000	36.000	36.000	601	DB-2
42BWD06-M	42.000	76.000	35.000	38.000	616	DB-1
M356240W	35.000	61.800	40.000	40.000	436	DB-2
510078	39.100	74.000	34.000	36.000	660	DB-2
39BWD05-M	39.000	74.000	39.000	39.000	614	DB-2

AIR CONDITION DOUBLE-ROW BALL BEARING

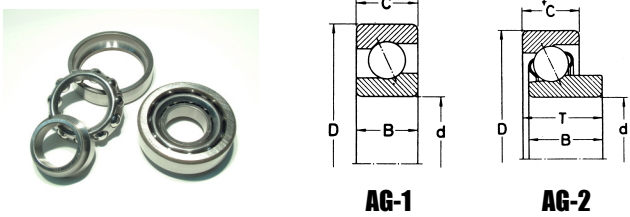
MBS NO.	DIMENSIONS (mm)				N.W. (Gr)	DRAWING TYPE
	BORE (d)	OUTER DIAMETER (D)	WIDTH (OUTER RACE) (C)	WIDTH (INNER RACE) (B)		
M908287H	40.000	62.000	20.600	20.600	195	DB-3
CW406224	40.000	62.000	24.000	24.000	234	DB-3

CLUTCH RELEASE BEARING



MBS No.	DIMENSIONS (mm)				N.W. (Gr)	DRAWING TYPE
	BORE (d)	OUTER DIAMETER (D)	WIDTH (B)	SET WIDTH (T)		
NITK52Z1B	52.400	92.240	20.000		461	CL-1
RCTM28A	28.000	57.500	22.000	32.000	191	CL-3
MA1054	38.100	69.900	16.000		228	CL-1
MA1181	41.275	81.600	17.460		368	CL-1
M614018	34.925	71.400	28.700	32.150	310	CL-2
RCT283SA	28.000	44.000	22.400	55.500	183	CL-3
24TK308B	38.100	67.000	16.500		179	CL-1
NRCT4075	40.000	74.600	19.000		297	CL-1

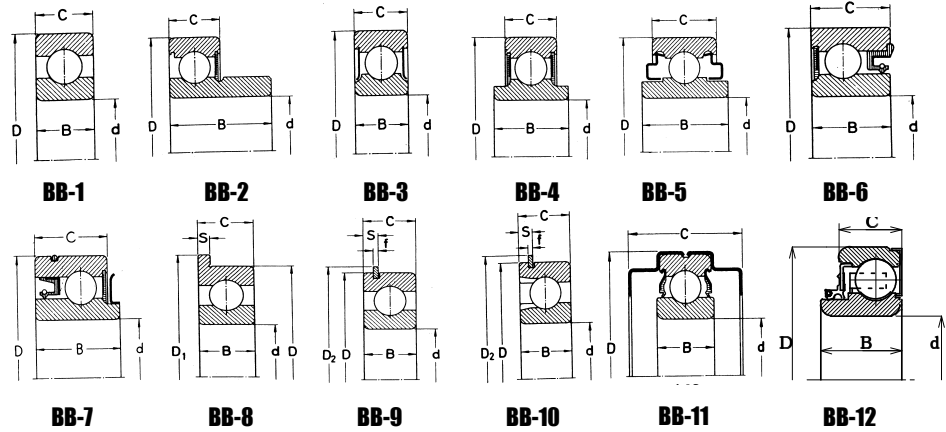
ANGURAR CONTACT BALL BEARING



MBS NO.	DIMENSIONS (mm)					N.W. (Gr)	DRAWING TYPE
	BORE (d)	OUTER DIAMETER (D)	WIDTH (OUTER RACE) (C)	WIDTH (INNER RACE) (B)	SET WIDTH (T)		
440270	30.000	62.000	16.000	16.000	17.250	209	AG-2
909001	19.057	52.832	15.443	15.113	17.983	174	AG-2
909048	38.100	80.000	16.500	17.750	22.860	419	AG-2
909052	32.550	75.260	19.558	22.098	29.083	436	AG-2

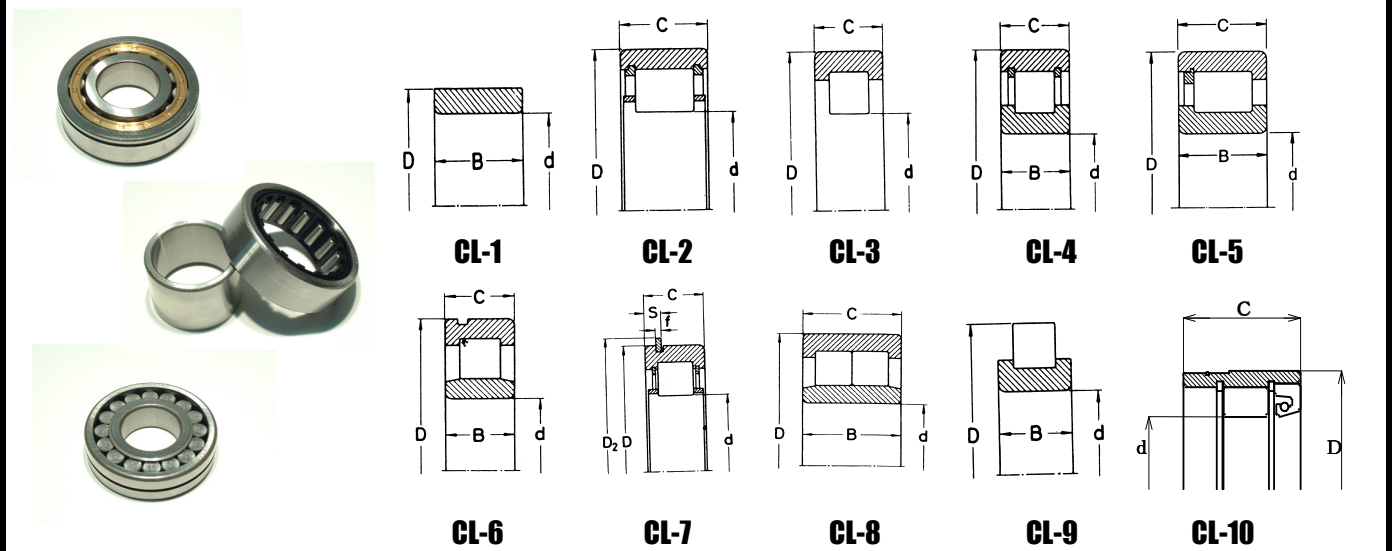
**DIMENSION LIST
DEEP GROOVE BALL BEARING**

DEEP GROOVE BALL BEARING

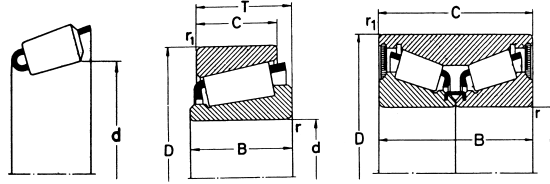


MBS No.	DIMENSIONS (mm)				N.W. (Gr)	DRAWING TYPE
	BORE (d)	OUTER DIAMETER (D)	WIDTH (OUTER RACE) (C)	WIDTH (INNER RACE) (B)		
88107	35.000	72.000	17.000	25.000	336	BB-5
88107R	35.000	72.000	17.000	35.000	408	BB-5
88128	38.892	80.000	21.000	27.500	488	BB-5
88128R	38.892	80.000	21.000	37.500	576	BB-5
88508	40.000	80.000	21.000	27.000	474	BB-5
88508A	40.000	72.000	17.000	22.000	275	BB-4
88509	45.000	85.000	21.000	27.000	491	BB-5
88510	50.000	90.000	22.000	30.000	584	BB-5
B5T4812B	35.000	74.700	40.950	25.000	446	BB-11
B5QH4812D	40.000	82.700	47.300	27.000	625	BB-11
8A1180 (107RING)	34.900	49.500	/	10.000	71	/
8M1180 (128RING)	38.700	54.000	/	10.000	83	/
RW207CC	35.000	72.000	21.460	21.460	418	BB-3
RW207CCR	35.000	72.000	21.460	31.460	486	BB-3
RW307E	35.000	76.200	25.400	26.212	486	BB-6
RW307ER	35.000	76.200	25.400	36.212	560	BB-6
RW507E	35.000	72.000	22.500	23.500	377	BB-6
RW507ER	35.000	72.000	22.500	33.500	450	BB-6
DG357226C4	35.000	72.000	17.000	26.000	334	BB-4
DG357226C4+C014	35.000	72.000	17.000	44.000	492	BB-4
C014 (collar)	35.000	52.000	/	18.000	158	/
DG357222C4	35.000	72.000	16.500	22.000	293	BB-12
306924	25.000	67.000	17.000	17.000	243	BB-8
411280	30.000	72.000	25.000	28.000	485	BB-7
411802	36.512	68.000	15.000	15.000	211	BB-1
62304/17-2RS	17.000	52.000	21.000	21.000	222	BB-3
62304/20-2RS	20.000	52.000	21.000	21.000	208	BB-3
B17-99	17.000	52.000	17.000	17.000	160	BB-3
CN20-122	20.000	47.000	16.000	16.000	108	BB-3
6304/16-2RS	17.000	52.000	16.000	16.000	180	BB-3
35BCD08-2RS	35.000	80.000	21.000	28.000	559	BB-4
6207E22GY4	35.000	72.000	17.000	21.000	298	BB-2
98305	25.000	62.000	12.000	12.000	168	BB-1
N1211L	55.000	100.000	17.300	17.300	594	BB-10
N309L	45.000	100.000	21.000	21.000	738	BB-9
8MTH7025	40.000	90.000	20.000	20.000	563	BB-1
8MTH7025NR	40.000	90.000	20.000	20.000	593	BB-9
40BCV09-M	40.000	90.000	23.000	28.000	666	BB-4
DG4094W	40.000	94.000	26.000	31.000	802	BB-4

AUTOMOBILE CYLINDRICAL ROLLER BEARING



MBS No.	DIMENSIONS (mm)				N.W. (Gr)	DRAWING TYPE
	BORE (d)	OUTER DIAMETER (D)	WIDTH (OUTER RACE) (C)	WIDTH (INNER RACE) (B)		
C1207	44.008	72.000	17.000		238	CL-2
C1502	47.681	70.658	22.225		274	CL-2
IR1502	38.882	47.612		34.138	166	CL-1
R1563TAV	35.547	57.150	17.780		159	CL-2
R1559TV	41.201	64.292	21.082		225	CL-2
MRP1563TAV	35.670	58.270	30.620		235	CL-10
MRP1559TV	41.293	65.440	33.000		307	CL-10
UC1305TAM	25.000	62.000	19.000	17.000	279	CL-4
UY1307TAM	30.000	80.000	23.000	21.000	608	CL-4
UY1307TM	30.000	80.000	21.000	21.000	586	CL-4
MUB5204TM	20.000	47.000	20.637	20.637	189	CL-4
MUB5205UM	25.000	52.000	20.637	20.637	217	CL-4
411919 (Bronze cage)	30.000	62.000	24.000	24.000	363	CL-8
403635	45.027	90.000	23.000		605	CL-7
NKA206M	30.000	61.935	18.550	19.000	282	CL-4
338552X1	49.930	80.000	15.000	15.000	291	CL-4
RNU0727	47.500	70.631	27.000		324	CL-2
RNU45698	45.080	72.000	25.000		338	CL-2
R0688	32.000	68.000		30.000	485	CL-9
SC050615V	25.000	62.000	15.500	15.500	246	CL-5

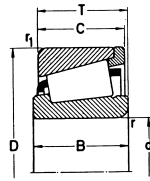
TAPERED ROLLER BEARING

TP-1

TP-2

TP-3

MBS No.	DIMENSIONS (mm)					N.W. (Gr)	DRAWING TYPE
	BORE (d)	OUTER DIAMETER (D)	WIDTH (OUTER RACE) (C)	WIDTH (INNER RACE) (B)	SET WIDTH (T)		
30303D	17.000	47.000	10.500	14.000	15.250	137	TP-2
32005X	25.000	47.000	11.500	15.000	15.000	118	TP-2
32005X/26	26.000	47.000	11.500	15.000	15.000	114	TP-2
32006JR	30.000	55.000	13.000	17.000	17.000	180	TP-2
M320/28	28.000	52.000	12.000	16.000	16.000	150	TP-2
M329013	29.000	50.292	10.720	17.520	14.224	125	TP-2
CN28KW02	28.000	52.000	16.000	18.500	15.926	146	TP-2
57410S/LM29710S	38.100	65.088	13.970	21.139	18.034	235	TP-2
909001R	19.057	52.832	14.000	15.440	17.983	179	TP-2
909052R	32.550	75.260	19.000	27.100	29.083	493	TP-2
07100/07196	25.400	50.005	9.525	14.260	13.495	120	TP-2
18590/18520	41.275	73.025	12.700	17.462	16.667	285	TP-2
02474/02420	28.575	68.262	17.462	22.225	22.225	401	TP-2
3579/3525	42.862	87.312	30.886	23.812	30.162	809	TP-2
28584/28521	52.388	92.075	25.400	19.845	24.608	667	TP-2
469/453X	57.150	104.775	29.317	24.605	30.162	1,054	TP-2
LM11749/LM11710	17.462	39.878	10.670	14.610	13.843	87	TP-2
LM11949/LM11910	19.050	45.237	12.070	16.640	15.494	126	TP-2
M12649/M12610	21.430	50.005	13.970	18.288	17.526	172	TP-2
L44649/L44610	26.988	50.292	10.668	14.732	14.224	123	TP-2
L45449/L45410	29.000	50.292	10.668	14.732	14.224	114	TP-2
LM102949/LM102910	45.242	73.431	15.748	19.812	19.558	319	TP-2
JLM104948/JLM104910	50.000	82.000	17.000	21.500	21.500	446	TP-2
LM48548/LM48510	34.925	65.088	13.970	18.288	18.034	251	TP-2
LM67048/LM67010	31.750	59.131	11.811	16.764	15.875	199	TP-2
JL69349/JL69310	38.000	63.000	13.500	17.000	17.000	199	TP-2

UNIT TYPE TAPERED ROLLER BEARING**TP-4**

MBS No.	DIMENSIONS (mm)					N.W. (Gr)	DRAWING TYPE
	BORE (d)	OUTER DIAMETER (D)	(OUTER RACE) (C)	(INNER RACE) (B)	SET WIDTH (T)		
SETM10 (SET10)	39.688	73.025	14.700	22.098	19.395	519	TP-4
M399 (U399/U360)	39.688	73.025	14.700	22.098	19.395	355	TP-4
SETM9 (SET9)	35.000	65.000	14.000	20.600	18.100	389	TP-4
M298 (U298/U261L)	35.000	65.000	14.000	20.600	18.100	270	TP-4
SETM20 (SET20)	39.688	79.967	14.700	22.098	19.395	766	TP-4
M365L (U399A/U365L)	39.688	79.967	14.700	22.098	19.395	470	TP-4
SETM80 (SET80)	45.000	80.000	18.000	26.000	24.000	638	TP-4
M497 (U497/U460L)	45.000	80.000	18.000	26.000	24.000	490	TP-4

DOUBLE-ROW BALL BEARING for WHEEL							
MBS	OEM No.	KOYO	NTN	NSK	SKF	others	APPLICATION
M309726BD	VOLKSWAGEN 171 407 625C OPEL 3 28 100 OPEL 3 28 104 HONDA 44300-SB2-014	DAC3464W22 RSCS42	DE07A39LL DE0778LLCS		309726DA	532066DA (FAG)	VOLKSWAGEN CARIBE, SCIROCCO, RABIT, JETTA, ATLANTIC(75-84) [FRONT WHEEL] DAEWOO LASER , OPEL GM AVEO HONDA TODAY 550- 660cc
MV309692	MAZDA H001-26-151		DE0819LL(Ba II type), CRI-0868LL		BA2B309692	540733BA (FAG)	FORD TOPAZ, GHIA(90-94), TEMPO EXP, ESCORT(83-89) MAZDA 626 CAPELLA(82-87) [FRONT WHEEL]
M0895W	CHRYSLER 521687	DAC427640- 2RSF	DE0895LL			547059A(FAG)	CHRYSLER DART-K, SPIRIT, NEW- YORKER, SHADOW, PHANTOM(83-89) [FRONT WHEEL]
M3872W	TOYOTA 90363-38006 90369-38011	DAC3872W- 8CS81		38BWD12CA133 38BWD12CA145			TOYOTA COROLLA, SPRINTER 1.3, 1.5, 1.6, 1.8, 2.0L (1987-) [FRONT WHEEL]
M3874W	TOYOTA 90369-38003, 90369-38002 NISSAN 40210-50Y00	DAC3874W- 6CS84	DE08A33CS3 8PX1	38BWD01A1ACA 147		559192(FAG) 38BVV07-26G (NACHI)	NISSAN TSURU III(1992-) [REAR WHEEL] TOYOTA COROLLA, CAMRY, CELICA, (TAIWAN) CORONA EXSIOR PREMIO 1.6, 2.0 [FRONT WHEEL]
M3668AW	SUZUKI 09267-36001 09267-36002	DAC3668AW- CS36					SUZUKI SWIFT/ SPRINTER/ CULTUS 1.0, 1.3, 1.5, 1.6L (1983- 1994) [FRONT WHEEL]
M3871W	TOYOTA 90369-38006	DAC3871W- 1CS74		38BWD09CA158			TOYOTA TAECEL/CORSA 1.3, 1.5L (1986-1994) [FRONT WHEEL]
M311396	GM 94655750 GM 90279332 OPEL 3 28 102 OPEL 3 28 103 ISUZU 8-94254-352	DAC3972AW- 4CS49		39BWD01BCA81	BAHB311396B	F45920 (INA) 542186CA (FAG)	ISUZU ASKA 1.8/ 2.0L (1983-1990) GM MONZA, KADETT, IPANEMA OPEL VECTRA (TAIWAN) DAEWOO LANOS 1.6 NUBIRA 1.6-2.0(1997-) [FRONT WHEEL]
M4074CW	NISSAN MB808442	DAC4074CW- CS73					NISSAN LANCER 1300-1800cc/ LANCER DIESEL 1800-2000cc (1991/10-94/04) MIRAGE 1300- 1600cc MIRAGE DIESEL 1800-2000cc PAJERO MINI 660, 1800cc (1994/12-) [FRONT WHEEL]

DOUBLE-ROW BALL BEARING for WHEEL							
MBS	OEM No.	KOYO	NTN	NSK	SKF	others	APPLICATION
M407440W	MAZDA B455-33-047	DAC407440- CS77	DE08A27LL	40BWD06ACA109			MAZDA 323 FAMILIA 1300-1800cc (1989-) FORD LASER [FRONT WHEEL]
CRI-0822	MAZDA H266-26-151		CRI-0822LL				MAZDA 626 CAPELLA 1.6, 1.8, 2.0L, 2.0DIESEL, TELSTAR 1.6, 1.8, 2.0L, 2.0DIESEL PERSONA 1.8, 2.0L (87-91/10) [FRONT WHEEL]
38BWD22-M	TOYOTA (90369-38021) (90369-38022)	DAC3871W3CS63		38BWD22			TOYOTA VITZ, YARIS YARIS TA-SCP10, TA-NCP15 1000cc, 1300cc [FRONT WHEEL]
40BWD12-M	TOYOTA (90369-40066) (90369-40067)	DAC4074W3CS80		40BWD12CA88			TOYOTA NEW COROLLA, VISTA, CELICA [FRONT WHEEL]
40BWD15-M	NISSAN (40210-4M400)		AU0817-5LL =AU0844	40BWD15A-JB- 5C01			NISSAN SUNNY·SENTRA B-15 1300cc,1500cc,1600cc,1800cc Maxima TG,FG,QG10 1500cc,1800cc,2000cc [FRONT WHEEL]
510055	HYUNDAI 51720-02000 51720-29400					510055 (TIMKEN KOREA)	HYUNDAI ATOS(1.0L) (Year 1998/01-), ACCENT(1.3L-1.6L)(Year 2000/01-), GETZ(CLICK)(1.1L-1.6L)(Year 2002/09-) DAEWOO MATIZ
MB0814W	NISSAN (40210-WD200)		NTN AU0814- 1LLX/L260				NISSAN AD/VAN,WINGROAD (Wagon) 1300cc,1500cc,1800cc,2200cc
42BWD06-M	NISSAN (40210-90J00) (40210-30R01) (40210-30R06)		NTN AU0815-2/L 260 DE08A21CS	42BWD06CA98			NISSAN PRIMERA 1800cc,2000cc (Year 1990/02-1994/04) BLUEBIRD 1800cc,2000cc,2400cc VANET 2000cc
M356240W	SUZUKI (43440-78A20) (43440-75F00) (43440-84F00)	DAC3562W- 5CS35	NTN AU0706- 3LXL/L260				SUZUKI ALTOIVF.F.1.1(year 2002/06-) WAGON R 1.0/1.2 (year 1998/02-2000/05) WAGON R 1.3 (year 2000/05-) OPEL AGILA 1.2-1.3
510078	HYUNDAI 51720-2D000 51720-2D100			39BWD20		510078 (TIMKEN)	HYUNDAI ELANTRA 2006-2001 HYUNDAI TIBURON 2008-2003 KIA SPECTRA 2008-2004
39BWD05-M	GM/SUZUKI 09267-39010 09267-39004			39BWD05			DAEWOO/GM LEGANZA 1997/06- 2003/07 NUBIERA 1997/04- EVANDA 2005/03 GM/OPEL REZZO 2000/09- ASTRA 1991/09-2001/03 VECTRA 1988/04- 2002/04 OMEGA 1994/03-2003/07

FRONT WHEEL ANGULAR CONTACT BALL BEARING & TAPERED ROLLER BEARING				
MBS	OEM No.	SKF	BCA	APPLICATION
909001 (Ball) or 909001R (Tapered)	GM 909001,F0001NE	909001	B-01	GM Chevrolet Corvette,BelAir,Biscayne,Brookwood,Caprice,EstateWagon,Impala, Kingswood,Townsmen,Truck 1/2 TonC-10,C1500,S-10, R10, R1500, V10, V1500,K10,K1500,P10,3100,3200 series, Suburban (1953-59)
909052 (Ball) or 909052R (Tapered)	GM 909052 FAFNIR 10052	909052	B-52	GM Chevrolet Corvette,BelAir,Biscayne,Brookwood,Caprice, EstateWagon,Impala,Kingswood, Townsmen, Truck 1/2 Ton Chevrolet (C- 10,C1500,S-10, R10, R1500, V10, V1500,K10,K1500,P10,3100,3200 series, Suburban) L15,M15,S-15,100,1000,1500, C1500,G1500,P1500, R1500,V1500,K1500,G1500 series & Safari (1946-59)
909048 (Ball)	GM 909048 FAFNIR 10048	909048	B-48	GM Truck 1 Ton 250,300,3500,C3500,G3500,K3500,P3500,R3500,V3500 series Truck 1/2 Ton L15,M15,S-15,100,1000,1500,C1500,G1500,P1500, R1500,V1500,K1500,G1500 series & Safari Truck 3/4 Ton 150,2500,C2500,K2500,P2500,R2500,V2500 series & Handi Van Chevrolet (C- 20,C2500, R20, R2500, V20, V2500,K20,K2500,P20,3400,3500 series, Suburban) (1960-62)

AIR CONDITION DOUBLE-ROW BALL BEARING				
MBS	OEM No.	NSK	others	APPLICATION
M908287H	HONDA, DELCO 6557684, 6559469	40BD49T12DDU	907257 (BCA/BOWER)	GM AIR-CONDITION(40-62-20.6mm) [AIR CONDITION]
CW406224	DENSO, HITACHI, XECEL	40BD219T12DDU	40BGS11G-2DS (NACHI) DE0865-LLBC5 (NTN) 83A551B4CS (KOYO)	TOYOTA AIR-CONDITION(40-62-24mm) FORD Sierra, Ghia, XR4 PEUGEOT (Various) =6908VV [AIR CONDITION]

DEEP GROOVE BALL BEARING					
MBS	OEM No.	KOYO	SKF	others	APPLICATION
62304/20-2RS					SCANIA/ALTERNATOR
62304/17-2RS				62304-LL/17 or 2J- SC03A57LLVA CS12 (NTN)	MERCEDES BENZ, SCANIA GENERATER/ALTERNATOR
6304/16-2RS	ALTERNATOR NIPPON DENSO (949100-4370) TOYOTA (90099-10160) (90099-10192)	DG175216- 2RDDCM (KOYO)		6304B17W16- 2RS	NIPPON DENSO Internal Fan Alternador Acura,Chevrolet,Chrysler,Dodge,Eagle,Honda, Isuzu, Jaguar, Jeep, Lexus, Mazda, Plymouth, Toyota, Volvo
B17-99	ALTERNATOR BOSCH (1-120-905-012) VALEO (592905) (592936)			B17-99D (NSK)	BOSCH, FORD 6G & VALEO A14Vi Alternador AUDI,BMW,FORD,JAGUAR,LAND ROVER,MERCEDES,SAAB, VOLKSWAGEN
CN20-122	Transmission 8-94124-7650			B20-122C3 (NSK)	
35BCD08-2RS	TOYOTA (90369-35061) (90369-35064) (90369-35085)	DG358028W2 RSC4 (KOYO) (+C014)		35BCD08- 2LR (NACHI)	TOYOTA (+C014) TownAce 1500cc, TownAce Diesel 1800cc,2200cc, Light Ace 1500cc,1800cc,2000cc, 2200cc Crown (Creseda) 2000cc
40BCV09-M	TOYOTA 90363-40068			40BCV09S1- 2NSLC5 (NACHI)	TOYOTA LAND CRUISER PRADO etc [REAR WHEEL]
411802	FORD C5NNN779A		411802		FORD TRACTOR [pilot] FORD 5000/6000

DEEP GROOVE BALL BEARING					
MBS	OEM No.	KOYO	SKF	others	APPLICATION
DG357226C4	TOYOTA 04421-12020, 90369-35001, 9-00090-212	DG357226W2R SC4		B35-53AC4 (NSK)	TOYOTA COROLLA 1600cc(AE109/111) COROLLA/CARDINA/CARIB DIESEL2000cc TOWNAGE/LIGHTAGE 1500,1800,DIESEL2000cc (1988-) ISUZU PIAZZA 2000cc (1984-91) [REAR WHEEL] (without locking collar type)
DG357226C4 + C014	TOYOTA 42410-12090, 04421-30011, 04421-27021, DAIHATSU 04421-27010	DG357226W2R SC4 + C014			TOYOTA COROLLA 1300cc(EE111), COLORRA/SPRINTER 1500cc(AE100), 1600cc(AE101), COROLLA DIESEL 2000cc, COROLLA Levin 1500cc (AE100/110) (1991/5-) RIGHT-ACE 1300-200ccDIESEL, TOWN-ACE 1300-2200ccDIESEL, CHASER/MARK- II /CRE
C014	TOYOTA 42423- 21011	C014			same as "DG357226C4 + R014" TOYOTA VITZ 1300cc (2000/8-) (LOCKING COLLAR for REAR WHEEL)
DG357222C4	SUZUKI 09269- 35009	DG357222DW C4			SUZUKI GIMNY 660-1300cc (1990/3-) AZ OFFROAD 660cc (1998/10-) [REAR WHEEL]
N309L	FORD C4TA7065C GM 9423103		309SG2, or 6309NR21MM	SC0914NR, or N309L (NTN)	GM TRUCK CS-50,CS-60--- CLARK 5speed Transmission, NEW PROCESS 435G Transmission, SPICER 3152 Transmission VOLKSWAGEN 680/690 81/6.140/11.130/13.130 [Transmission]
N1211L	GM 907993			N1211L (BCA/BOWER)	GM TRUCK C-30,P-30,CS-50--- SAGINAW 4 speed Transmission,MUNCIE [Transmission]
8MTH7025	FORD 8MTH7025		308SG1-0102 or 306523	308L1 (BCA/BOWER)	FORD TRUCK Bronco 1/2 ton, E100,F100,P100,150 Series Econoline,Pick- up, Percel Delivery (Truck 1/2 ton), E200,F200, P200,250 Series Econoline,Pick- up, Percel Delivery (Truck 3/4 ton), E300,F300, P300,350series,F450,3500Econoline, Pick-up, Percel Delivery
DG4094W	TOYOTA 90363-40071	DG4094W12RS HR4SHZ			Toyota Previa, RAV4, Prado, Hiace4×4, PRADO, Reiz, Corolla, Camry, Sienna TURCK (REAR WHEEL)

DEEP GROOVE BALL BEARING					
MBS	OEM No.	SKF	BCA	others	APPLICATION
88107	ALFA ROMEO 1356-32007,10200-17-301-00 CHRYSLER 3632989,3632990 FORD 8A1225A,G510603,556205,11540320,ERB31,2402E4812A,11556205,B5T4812B GM 132474,3760527,3760535,3990291,904571 9047733,954652,954667 VOLVO 181252 BEDFORD 6381863, 7089938 TOYOTA etc	88107	88107,88107A	207KRRAH03 (INA) SX0735ZZ/2A (NTN)	FORD E100,F100,P100,150 Series Econoline,Pick-up, Parcel Delivery (Truck 1/2 ton) E200,F200,P200,250 Series Econoline,Pick-up, Parcel Delivery (Truck 3/4 ton) E300,F300,P300,350series, F450,3500Econoline, Pick-up, Parcel Delivery (Truck 1 ton) P400,M450,P4500series, B-F500,600,700 series Pick-Up ParcelDelivery (Truck 1 1/2-2 1/2ton) GM Cadillac JIMMY, S-15 JIMMY Chevrolet (Blazer, S-10 Blazer) GM Truck 250,300,3500,C3500,G3500,K3500,P3500,R3500,V3500 series Chevrolet (C-10,C1500,S-10, R10, R1500, V10, V1500,K10, K1500,P10,3100,3200 series, Suburban) L15,M15,S-15,100,1000,1500,C1500,G1500,P1500, R1500,V1500,K1500,G1500 series & Safari 150,2500,C2500,K2500,P2500,R2500,V2500 series & Handi Van TOYOTA CELICA,CORONA 1.6/2.0 [REAR WHEEL (Bearing Only)] [DRIVESHAFT (Bearing Only)]
88107R	FORD A9AZ1225A,C0DZ1225B,D2DZ1225A GM 391741,907013,954854 etc	88107AR	88107AR		same as "88107" [REAR WHEEL (Bearing+ Locking collar 107R(8A1180))]
88128	CHRYSLER 65320,F52C1225 FORD 8M1225A,A9A1225,C1T Z1225A,D8AZ1225A GM 954172,954848 ROVER 07296,08276 etc	88128	88128,88128A	208KRRAH01 (INA)	Ford Bronco 1/2 ton,Brougham, Country Sedan, Country Squire, Crown Victoria, Custom, Galaxy,E100,F100,P100,F150 Series Econoline,Pick-up, Parcel Delivery (Truck 1/2 ton),Fairlane, Torino, LTD II, Ranchero, Granada, LTD(Crown Victoria),Thunderbird GM CHEVROLET PICK-UP CS100 67/68 [REAR WHEEL (BEARING only)]
88128R	FORD C9AZ1225A,C1SZ1225A, C6AW1225 GM 391740,907380,954948 etc	88128R 88128AR	88128R		same as "88128" [REAR WHEEL (BEARING+ Loking collar 128R(8M1180))]
88508	CHRYSLER 1663976,248004 FORD TYBJ44804A,B5QH4812D GM 900862,904570,954153,954178,9423041,9411404 07296,08276 VOLVO 6852606 etc	88508 G88508	88508	208KRRAH04 (INA) 88508/2A (NTN)	FORD F-100, F-150 PICK-UP (1974-1985),P400,M450,P4500series,B-F500,600, 700series Pick-Up ParcelDelivery (Truck 1 1/2-2 1/2ton) GM Chevrolet (C-10,C1500,S-10, R10, R1500, V10, V1500,K10,K1500, P10, 3100, 3200 series, Suburban),Chevrolet Truck 1 1/2, 2,& 2 1/2 Ton (40, 50, 60 &70 series) 4000, 5000, 6000 & 7000 series DODGE Truck D500,D600,DP600,DP800 [DRIVESHAFT (Bearing Only)]
88508A	FORD 88508A		HB88508-A (BCA/BOWER)		BOLAS CARDAN(DRIVE SHAFT) FORD TRUCK

DEEP GROOVE BALL BEARING					
MBS	OEM No.	SKF	BCA	others	APPLICATION
88509	FORD B5QH4812C GM 7143164,904848,907845 ,954155,954179 VAUXHALL 7143164 BEDFORD 6381862 etc	88509 G88509	88509		FORD E300,F300,P300,350series,F450,3500Econoline, Pick-up, Parcel Delivery (Truck 1 ton),P400,M450,P4500series,B-F500,600,700series Pick-Up ParcelDelivery (Truck 1 1/2-2 1/2ton)
88510	CHRYSLER 1932710 GM 907172,954201 etc	1700810	88510		GM TRUCK 907172, 954201 [REAR WHEEL] KENWORTH, MACK TRUCK [DRIVESHAFT]
B5T4812B	CHRYSLER 3632989,3632990 FORD 8A1225A,G510603, 556205,11540320,ERB3 1, 2402E4812A,11556205, B5T4812B GM 132474,3760527, 3760535,3990291, 904571 9047733, 954652,954667 VOLVO 181252 BEDFORD 6381863, 7089938	G88509	HB-88107A		FORD E100,F100,P100,150 Series Econoline,Pick-up, Parcel Delivery (Truck 1/2 ton) E200,F200,P200,250 Series Econoline,Pick-up, Parcel Delivery (Truck 3/4 ton) E300,F300,P300,350series, F450, 3500Econoline, Pick-up, Parcel Delivery (Truck 1 ton) P400,M4
B5QH4812D	CHRYSLER 1663976, 248004 FORD TYBJ44804A,B5QH481 2D GM 900862,904570,954153, 954178,9423041,941140 4 07296,08276 VOLVO 6852606 etc		HB-88508		FORD F-100, F-150 PICK-UP (1974- 1985),P400,M450,P4500series,B-F500,600, 700series Pick-Up ParcelDelivery (Truck 1 1/2-2 1/2ton) GM Chevrolet (C-10,C1500,S-10, R10, R1500, V10, V1500,K10,K1500, P10, 3100, 3200
RW207CC	FORD AJ1225B,B7A1225A,C3 AW1225A JOHN DEERE L2089C	G-RW507J, 1700289	RW207HH	RW507-R (NEW DEPARTUR E) 207PP-3 (FAFNIR) RW207HH	FORD Aerostar, Bronco II ,Ranger.Bronco 1/2 ton,Brougham, Country Sedan, Country Squire, Crown Victoria, Custom, Galaxy,E100,F100, P100,150 Series Econoline,Pick-up, Parcel Delivery (Truck 1/2 ton), Fairlane, Torino, LTD II , Ranchero,Fairmount, Falcon, Granada

DEEP GROOVE BALL BEARING					
MBS	OEM No.	SKF	BCA	others	APPLICATION
RW207CCR	FORD D0AZ1225A,D2OZ1225 B,D3AZ1225A,D5DZ122 5A MERCURY D0AZ1225A,D2OZ1225 B,D3AZ1225A,D5DZ122 5A CHRYSLER 2627107	G- RW507JR, 1700289R	RW207CCR RW507CR	RW507-RR (NEW DEPARTUR E) 207PP- 3R (FAFNIR) RW207HHR	same as "RW207CC" GM Chevrolet Special,Super,S.Sport,Luxe,Rally s, Chevy, Malibu, Super Coupe-Luxe, OPEL K180 DODGE Valiant I , II ,III,IV,RT,Polara,Coronad
RW507E	GM 3707387,3729375, 3799122, 904474,904764 907828,907977,954830, 954861 etc	7406719	RW507E RW507D		same as "RW507ER" [REAR WHEEL (Bearing without Locking collar)]
RW507ER	FORD 71BG1225A1A GM 391744,393208, 393473,7412981,90700, 907690,907879,907884, 954999 HOLDEN 2810498	RW507AR 306892	RW507ER RW507DR		GM Chevrolet Corvette, Chevrolet(BelAir,Biscayne, Brookwood,Caprice, EstateWagon,Impala,Kingswood,Townsmen) [REAR WHEEL (Bearing+ Locking collar 107R(8A1180)]
RW307E	GM Chevrolet 904824, 904868,907090,907100 CATERPILLER 6M5293	RW607B	RW307E	904824 (NEW DEPARTUR E) 904868 (FAFNIR)	same as "RW307ER" [REAR WHEEL (Bearing without Locking collar)] (STEEL CAGE TYPE)
RW307ER	GM Chevrolet 907293,907294,904324, 907072, 374687,3771751	RW607BR	RW307ER	904824R (NEW DEPARTUR E) 904868R (FAFNIR)	GM Chevrolet 3771751 or 374687, Pontiac 907294 [REAR WHEEL (Bearing with Locking collar)] (STEEL CAGE TYPE)
98305	FAFNIR 4A,4W,6105 RIV 4BE VESPA 93031	98305			VESPA , RIV(ITALY) 4BE, FAFNIR 4A,4W,6105
411280	HILMAN/HUMBER 1801176, 9198012, 75221451	411280		411280 (JAF)	HILMAN 1801176, 9198012, 75221451 HUMBER 1801176, 9198012 SUNBEAM 1801176, 9198012, 71248180 [REAR WHEEL]
440270	PEUGEOT 3730-05	440270 (7206AE1)		509993 (FAG) 9943 (SNR)	PEUGEOT 204,404,404A8,404C,404L,404U6,404U8,404U10, 504,504 Truck [REAR WHEEL]
6207E22GY4	RENAULT 7703090038	BB1B417145		6207E22GY 4 (SNR)	RENAULT R12,R15,R16,R17 [REAR WHEEL]

STEERING GEAR BALL BEARING				
MBS	OEM No.	SKF	others	APPLICATION
5666683	GM 5666683 FORD C2AZ3552A CHRYSLER 2072062	8537	8537 (BCA) 311142/161(F1 10085) (INA)	SAME AS "5666683/5666693" (Outer race only)
5666693	GM 5666693 FORD AJ33770A			SAME AS "5666683/5666693" (Ball and Steel Cage only)
5666683/5666693	GM 5666683 FORD C2AZ3552A CHRYSLER 2072062	8537	8537 (BCA) 311142/161(F1 10085) (INA)	GM CHEVROLET 400,SPECIAL,SUPER,S.SPORT,LUXE,RALLY S.,CHEVY,MALIBU,SUPER COUPE-LUXE PICK-UP CS100,C10,CUSTOM,DIESEL,SILV FORD Brougham, Country Sedan, Country Squire, Crown Victoria, Custom, Galaxy,E100,F100,P100,150 Series Econoline,Pick-up, Percel Delivery (Truck 1/2 ton) E200,F200,P200,250 Series Econoline,Pick-up, Percel Delivery (Truck 3/4 ton) E300,F300,P300,350series,F450,3500Econoline, Pick-up, Percel Delivery (Truck 1 ton) Fairlane, Torino, LTD II, Ranchero,Falcon,Granada, LTD(Crown Victoria),Marverick, Mustang, Mustang II,Thunderbird
5673272	GM 5673272			SAME AS "5673272/5673271" (Outer race only)
5673271	GM 5673271			SAME AS "5673272/5673271" (Ball and Steel Cage only)
5673272/5673271	GM 5673272/5673271			GM CHEVROLET Truck C50,350,714,718,814,914 FORD Truck F350
C4TZ3571A	FORD C4TZ3571A			SAME AS "C4TZ3552A""C4TZ3553A" (Ball with Nylon Cage only)
C4TZ3552A	FORD C4TZ3552A			FORD Truck P400,M450,P4500series,B-F500,600,700series Pick-Up ParcelDelivery (Truck 1 1/2-2 1/2ton) (Outer race only)
C4TZ3553A	FORD C4TZ3553A			FORD Truck P400,M450,P4500series,B-F500,600,700series Pick-Up ParcelDelivery (Truck 1 1/2-2 1/2ton) (Outer race only)
C4TZ3552A/ C4TZ3571A	FORD C4TZ3552A/C4TZ 3571A			DODGE Truck DP600, DP800 FORD Truck P400,M450,P4500series,B-F500,600,700series Pick-Up ParcelDelivery (Truck 1 1/2-2 1/2ton) (Outer race and Ball with Nylon Cage Set)
C4TZ3553A/ C4TZ3571A	FORD C4TZ3553A/C4TZ 3571A			DODGE Truck DP600, DP800 FORD Truck P400,M450,P4500series,B-F500,600,700series Pick-Up ParcelDelivery (Truck 1 1/2-2 1/2ton) (Outer race and Ball with Nylon Cage Set)
M307487	VOLKSWAGEN 411.71725			VOLKSWAGEN 411.71725

CLUTCH RELEASE BEARING				
MBS	OEM No.	NSK	others	APPLICATION
NITK52Z1B	TOYOTA 90363-52018, 90363-52014 NISSAN 30502- 55100,L1100 30502- 90006,52018 FORD 78-7580A	TK52Z-1B	CT52A-1 (KOYO) N1087 (Borg-Warner) 2062 (BCA)	NISSAN Patrol (Safari)(1974-78) truck 6.0t (K-CK85) FORD Falcon,Sprint,Rural,Ranchero,F350,F3500,7000 DODGE PICK-UPD100,D200 Truck D400,DP400
RCTM28A	SUZUKI 09269-28006 MAZDA 9S9T-92-8004		RCTS28SA (KOYO) FCR50-35-6- 5K (NTN)	SUZUKI SWIFT/CALTUS 1000 (G10B Engine)~1300cc (G13B Engine) (1989/07~) MAZDA CAROL 660cc (1990/02~)
MA1054	GM 1319083, 1367058 CHRYSLER 658998 VOLVO 6611737 FORD 74-7580B		400404(SKF) 200080A(FAG) N1054 (Borg-Warner)	DODGE VALIANT I , II ,III,IV, RT,POLARA, CORONADO,COUPE GTX CHRYSLER NEW YORKER, NEWPORT, 300J,K,L VOLVO COMBINES ST257,S280 GM BUICK Le Sabre, Skylark, Wildcat FORD Falcon, Fairlane, Mustang
MA1181	GM 9414772, 9494772 FORD B7A7580A CHRYSLER 2530444		NIC.N1181 (SKF) N1181 (Borg-Warner) 1625 (BCA)	CHRYSLER NEW YORKER, NEWPORT,CORDOVA FORD Falcon, Falcon, Mustang, Maverick, Thundervird (1955-79) Truck P100,F100, P350, F350,P400 series GM Truck 1.5-2 ton, Mercury Comet, Cyclone (1952-78)
M614018	GM 900018, 907403, 907576, 907826, 908120, 908244, 3724507		C1705C (BCA) N1430 (Borg-Warner) CT24H-1	GM BUICK(Skylark,Skyhawk,Century,Regal,Somerset Regal, Skylark(86-90), Somerset) CABALLERO & SPRINT (1971- 1977) Chevrolet (Blazer, S-10 Blazer, Chevelle,El Camino, Malibu,Monte Carlo, Acadian Beaumont,Chevy II ,NOVA(RWD), Camaro,Chevette,BelAir,Biscayne, Brookwood, Caprice,EstateWagon, Impala,Kingswood,Townsmen) JIMMY, S- 15 JIMMY(1971-90) Truck 1/2 Ton (C- 10,C1500,S-10, R10, R1500, V10, V1500,K10,K1500,P10,3100,3200 series, Suburban), Truck 3/4 Ton Chevrolet (C-20,C2500, R20, R2500, V20,V2500,K20,K2500,P20,3400,3500 series, Suburban) 1 Ton(250,300,3500,C3500,G3500, K3500,P3500, R3500,V3500 series) etc
RCT283SA	SUZUKI 09269-28004		FCR44-36-1/2E (NTN)	SUZUKI ALTO 550cc/660cc, KEI 660cc, WAGON R 660cc, SWIFT AA44S,43S 1.0L
24TK308B	SUZUKI 09269-38001, 09269-38002 TOYOTA 90363-38009/84	RCT38SL1 (KOYO)	24TK308B (NSK) SF0816 (NTN)	SUZUKI 09269-38001/09269-38002 TOYOTA 90363-38009/84 MITSUBISHI MD701283 ISUZU 9-00095-040-1
NRCT4075	NISSAN 30502-21000	RCT4075-1S (KOYO)	TK40-4A (NSK) SF0820/2E (NTN)	NISSAN CONDOR, FAIRLADY Z,CEDRIC/GLORIA, PICK-UP,MAXIMA/BLUEBIRD, SILVIA/STANZA, SUNNY/SENTRA URVAN

SPHERICAL ROLLER BEARING				
MBS	OEM No.	FAG	others	APPLICATION
10790S	CLARK 851765+851764 GM 179289 or 179291+179290			CIARK 851765 FORD 8N3571 GM 179291 IHC 1142413R91 [STEERING GEAR] SPHERICAL ROLLER with CAGE
10790Z	CIARK 851765+851764 GM 179289 or 179291+179290			CIARK 851764 FORD 8N3552 GM 179290 IHC 112415R1 [STEERING GEAR] OUTER RACE
10790SZ	CIARK 851765+851764 GM 179289 or 179291+179290			CIARK 851765+851764 GM 179289 or 179291+179290 IHC 112414R91 or 1142413R91+112415R1 [STEERING GEAR] SPHERICAL ROLLER with CAGE & OUTER RACE
10983R	CIARK EQU 853373, 178480 HOUGH HS 915 GM 178480 Massey-Ferguson 832262M1			CIARK EQU 853373, 178480 HOUGH HS 915 GM 178480 Massey-Ferguson 832262M1 [STEERING GEAR] SPHERICAL ROLLER with CAGE
10983Z	CIARK EQU 178479 HOUGH HS 905 GM 178479 Massey-Ferguson 832262M1			CIARK EQU 178479 HOUGH HS 905 GM 178479 Massey-Ferguson 832262M1 [STEERING GEAR] OUTER RACE
10983RZ	Allis-Chalmers 6575+6613 Chamberlain 10916 HOUGH HS 915+HS 905 GM 178479, 268322 Massey-Ferguson 1016867M1 Michigan, CLARK 853373+853379			Allis-Chalmers 6575+6613 Chamberlain 10916 GM 178481+178479 HOUGH HS 915+HS 905 Massey-Ferguson 832262M1+1016867M1 Michigan, CIARK 853373+853379 [STEERING GEAR] SPHERICAL ROLLER with CAGE & OUTER RACE
502365	MERCEDES BENZ 000 981 04 06	FAG 502365A		MERCEDES BENZ LP321,L-1111,L-1113/1114,LPO-1113/1114,O321
509043A	MERCEDES BENZ Benz 345 981 70 06	FAG 509043B		MERCEDES BENZ LP321,L/LO-608/708, L/LO-709,LO-812,L-912, L-1111,L-1113/1114,L-1214,L-1313/1314,LPO- 1113 O321,O352

CYLINDRICAL ROLLER BEARING				APPLICATION
MBS	OEM No.	SKF	others	
RNU0727	TOYOTA 90365-47013		RNU0727 (KOYO) R1063 (NTN)	TOYOTA Land Cruiser 3400cc, 3500cc, 4000cc, 4200cc (Diesel) Daina 1600,1800,2000,2400, 2800cc Toyo-Ace 1600,1800,2000,2200,2400, 2800cc (Diesel) [REAR WHEEL]
MUB5204TM	IHC 158687H, 419133C91,50103R92 878714R91		MUB5204TM (BCA/BOWER)	I.H.C.TRUCK[REAR AXLE PINION] METRO M1400 w/RA-20 AXLES
MUB5205UM	GM 189436, 7450081, 7450353 FORD TVAA4625 MACK 67AX187 EATON 35032		MUB5205UM (BCA/BOWER)	GM Truck (250,300,3500,C3500,G3500,K3500, P3500,R3500,V3500 series, L15,M15,S-15,100,1000,1500,C1500,G1500,P1500, R1500,V1500,K1500,G1500 series & Safari) Chevrolet (C-20,C-30,R20,V20,C3500,R30,R3500,V30,V3500,K30, K3500,P30, 3800, 3900 series, Suburban, Pick-up, Van, Suburban 150,2500,C2500,K2500,P2500,R2500,V2500 series & Handi Van) [REAR AXLE PINION]
R1563TAV	CHRYSLER 2800459,2852949, FORD C7AW1225A, C7AZ1225A GM 3868746, 7451405, 7451595		R1563TAV (BCA/BOWER)	FORD Aerostar, Bronco II , Ranger, Brougham, Country Sedan, Country Squire, Crown Victoria, Custom, Galaxy, Fairmount,Granada, LTD(Crown Victoria),Mustang, Mustang II ,Thunderbird GM BUICK (Skylark,Skyhawk,APOLLO,Centurion, Electra, EstateWagon,Invicta,Le Sabre,Park Avenue,Wildcat , Century, Regal,Somerset Regal,Reatta, Riviera,) CABALLERO & SPRINT, Cadillac (Calais,Deville,Eldorado,Fleetwood Brougham, Sedan,Limousine,Commercial Chassis, SEVILLE) Chevrolet (Blazer, S-10 Blazer,Chevelle,El Camino, Malibu,Monte Carlo,Acadian Beaumont,Monza, Vega,Camaro,BelAir, Biscayne, Brookwood,Caprice, EstateWagon,Impala,Kingswood,Townsmen) JIMMY, S-15 JIMMY, Chevrolet Truck (C-10,C1500,S-10, R10, R1500, V10, V1500,K10,K1500,P10,3100,3200 series,L15,M15,100,1000,1500,C1500,G1500,P1500,V1500,K1500,G1500 series & Safari Suburban) [REAR WHEEL] GM Chevrolet Truck 1 1/2, 2, & 2 1/2 Ton (40, 50, 60 &70 series) [TRANSMISSION (Counter Shaft Front)]
R1559TV	CHRYSLER 2931851. 3744495 GM 7451809		R1559TV (BCA/BOWER)	CHRYSLER CORDOBA, FIFTH AVENUE, LEBARON, NEWPORT, NEW YORKER, IMPERIAL GM Buick (Centurion,Electra, EstateWagon ,Invicta,Le Sabre,Park Avenue,Wildcat, Century,Regal,Somerset Regal, Skylark(86-90), Somerset,Reatta, Riviera) Cadillac (Calais,Deville, Eldorado, Fleetwood Brougham, Sedan,Limousine,Commercial Chassis) Chevrolet (Blazer, S-10 Blazer,Chevelle,El Camino, Malibu,Monte Carlo,Acadian Beaumont) JIMMY, S-15 JIMMY, Chevrolet Truck (C-10,C1500,S-10, R10,R1500, V10, V1500,K10,K1500,P10,3100,3200 series,L15,M15,100,1000 1500,G1500, P1500,R1500,V1500,C-20,C2500,R20, R2500,V20,V2500,K20,K2500,P20,3400,3500 series & Safari Suburban) [REAR WHEEL]
MRP1563TAV				
MRP1559TV				

CYLINDRICAL

CROSS REFERENCE

CYLINDRICAL ROLLER BEARING				
MBS	OEM No.	SKF	others	APPLICATION
RNU45698			F45698 (INA)	FORD F-1000 (MADE IN BRASIL) [REAR WHEEL] (Nylon cage)
403635	BEDFORD 7107669			GM CHEVROLET BUS/TRUCK C30, C50 BEDFORD 7107669 [Transmission gear box]
411919	BEDFORD 7165097			BEDFORD 7165097 [Transmission gear box]
UC1305TAM	CLARK 666698 CHRYSLER 1667389. 579118,9194005, D17076-123 GM 145443,7132142 FORD 59T4625,81T4625MA, C3TZ4625, C1TT4625	F-UC1305TAM	MU1305TDM (BCA/BOWER)	FORD P400,M450,P4500series,B-F500,600,700 series Pick-Up ParcelDelivery (Truck 1 1/2-2 1/2ton) GM Truck 1 Ton 250,300,3500,C3500,G3500,K3500,P3500,R3500,V3500 series, Chevrolet Truck 1 1/2, 2,& 2 1/2 Ton (40,
UY1307TAM	DODGE 3647500300, E15828 FORD 2000E4625A Leyland/DAF 7H8623	F-UY1307TAM	9812RSC(SNR)	BEDFORD 7132268, DODGE E15828, D18401/74 DODGE(SPAIN) 3647500300 FORD 540E-4625, 2000E4625A [PINION REAR]
UY1307TM	LANCIA 2173643 RENAULT 00 23 874 166 Michigan 667466 CHRYSLER 1195116, 148353, 189826 FORD 7EQH4625A, C99T4625 GM 148353, 189826, 9040136	F-UY1307TM	MUS1307TM (BCA/BOWER) E- NFV307X2/30C3 (NTN)	CHRYSLER DodgeD500-D600, D700-D900, CNT900 GM CHEVROLET BUS/TRUCK B60-C70 Truck 1/2 Ton L15,M15,S-15,100,1000,1500 ,C1500, G1500,P1500,R1500,V1500,K1500,G1500 series & Safari Truck 3/4 Ton 150,2500,C2500,K2500
C1502	GM111121 VAUXHALL 111121	C1502	R1502EL (BCA/BOWER) 506706 (FAG)	GM 111121 VAUXHALL 111121 [REAR WHEEL]
IR1502	GM111122 VAUXHALL 111122	IR1502	RA1502 (BCA/BOWER) L503466 (FAG)	GM 111122 VAUXHALL 111122 [REAR WHEEL]
C1207	CATERPILLR 3S6347,7F4627 CHRYSLER 1269689 GM 121856,131293, 2093943,7325543, 7450287,7450941,101 3494	C1207, 1207TS	M1207EL (BCA/BOWER) 505307 (FAG)	GM CHEVROLET BUS/TRUCK C60-C70 (121856,131293, 2093943,7325543, 7450287,7450941,7451433,1013494) BEDFORD 131203 [transmission gear box]

UNIT TYPE TAPERED ROLLER BEARING					
MBS	OEM No.	TIMKEN	SKF	others	APPLICATION
SETM10	ISUZU 9-00093-627-0 FORD 1525726,1525727, A720X1225BB1A, ERR84 GM 1496327, 7451960, (Oldsmobile) 9428063 RENAULT 77 03 090 264 IHC 394730 C91	U399/U360 +K426898 (SET10)	331459B +Locking Collar	A-10 (NTN- BOWER)	FORD E100,F100,P100,150 Series Econoline,Pick-up, Percel Delivery (Truck 1/2 ton),F-100, F-150 PICK-UP (1974-1985), F-150, F-200, F-250, B-200 Chasis (1986-1995), Fairmount Sedan, H.T., Camioneta, Grand Marquis,LTD Sedan, H.T.,Marverick, Mustang, H.T., Fast Back, Thunderbird(1985-1989 1/2), Cougar(1985-1988), Falcon, Sprint, Ranchero GM BUICK(Skylark, Special,Centurion,Electra,EstateWagon,Invicta,Le Sabre,Park Avenue,Wildcat,Reatta, Riviera), Chevrolet (Chevelle, Camioneta, Malibu, Sedan, H.T.,S-10 Pick-up, S-10 Blazer,Impala, H.T.,C-10, C1500, R10, R1500, V10, V1500,K10,K1500,P10,3100,3200 series, Suburban) OPEL K-180 ISUZU TROOPER(4WD)(Colombia) [REAR WHEEL] WITH LOCKING COLLAR TYPE
M399	same as "SETM10"	U399/U360	331459B	A-10 (NTN- BOWER) Bearing only	same as "SETM10" NISSAN E20 (Mini Bus) -in South Africa local production TOYOTA HI-ACE (Mini Bus) -in South Africa local production NISSAN (Taiwan) 747DE 2.0,2.4,2.5L [REAR WHEEL] WITHOUT LOCKING COLLAR TYPE (BEARING ONLY)
SETM9	GM(Chevrolet) 7451959, 9428059, (Chevette) 7451992 HOLDEN 2812191 ROVER GHB 194 SAAB 8710865	U298/U261 L +K426897 (SET9)	331579B +Locking Collar	A-9 (NTN- BOWER)	FIAT EIXO ALBARUS M30 made in BRASIL FORD Aerostar, Bronco II ,Ranger, Bronco 1/2 ton, E100,F100,P100,150 Series Econoline,Pick-up, Percel Delivery (Truck 1/2 ton), E200,F200,P200,250 Series Econoline,Pick-up, Percel Delivery (Truck 3/4 ton) GM BUICK (Skylark, Special, Centurion,Electra,EstateWagon,Invicta,Le Sabre,Park Avenue,Wildcat, Century,Regal,Somerset Regal, Skylark(86-90), Somerset, Reatta, Riviera), CABALLERO & SPRINT, Chevrolet (Chevelle,EI Camino, Malibu,Monte Carlo,Acadian Beaumont, Camaro, CHEVETTE) NISSAN (MEXICO) Datsun Sedan, Truck, Pick-up (-1995), Samurai (1981-1985), Sakura (1982-1985) [REAR WHEEL] WITH LOCKING COLLAR TYPE
M298	same as "SETM 9"	U298/ U261L	331579B	A-9 (NTN- BOWER) Bearing only	same as "SETM 9" MITSUBISHI (Taiwan) 菱利1.2 NISSAN (Taiwan) 303 [REAR WHEEL] WITH LOCKING COLLAR TYPE
SETM20	FORD D4AW1225A	U399A/U365 L +K518783 +K523967 or U399A- ASSY90012- K5		A-20 (NTN- BOWER)	FORD Bronco 1/2 ton(1978-1987),Brougham, Country Sedan, Country Squire, Crown Victoria, Custom, Galaxy,E100,F100,F150,P100,150 Series Econoline,Pick-up, Percel Delivery (Truck 1/2 ton)(1978-1987),E200,F200,P200,250 Series Econoline,Pick-up, Percel Delivery (Truck 3/4 ton),EIXO ARBARUS 44-3 (BRASIL), F-1000 4X2,4X4 (1979-90) made in BRASIL, Fairlane, Torino, LTD II , Ranchero, Thunderbird MPL MOTORS JEEP JAVAL 4X4 made in BRASIL [REAR WHEEL] WITH LOCKING COLLAR And RUBBER SEAL TYPE
M365L	same as "SETM 20"	U399A/ U365L		A-20 (NTN- BOWER) Bearing only	same as "SETM 20" [REAR WHEEL] WITHOUT LOCKING COLLAR And RUBBER SEAL TYPE
SETM80	GM 1496328,9429614 TOYOTA 90365-47013 MERCEDES BENZ 0059812605 RENAULT 5000388399 VOLKSWAGEN 281501319	U497/ U460L +K444658		A-80 (NTN- BOWER)	MERCEDES BENZ SPRINTER 310D, FORD F-1000 (1990-) TOYOTA JEEP "SAMURAI", LANDCRUISER FJ-60, FJ-75 GM A-20,C-20,D-20 4X4, Bonanza 92, Blazer, S-10 [REAR WHEEL]
M497	same as "SETM 80"	U497/ U460L		A-80 (NTN- BOWER) Bearing only	same as "SETM 80" (Taiwan) 太子 253,255,261 NISSAN [REAR WHEEL] WITHOUT LOCKING COLLAR And RUBBER SEAL TYPE

TAPERED ROLLER BEARING					
MBS	OEM No.	TIMKEN	SKF	others	APPLICATION
32005X	NISSAN 40215-HC000 MAZDA S121-33-075A, S121-33-075 SUZUKI 09265-25016 RENAULT 79 03 090 058, 267, 052 PEUGEOT 2372.19,20		32005X, 32005X/V B015	32005JR (KOYO) 4T- 32005X (NTN)	NISSAN SUNNY VANETTE 1500,2200cc (1994/4-) [FRONT WHEEL OUTER] SUZUKI SPRINT [COUNTER SHAFT] MAZDA J80 1500,2000cc BONGO 1500,2000,2200DIESEL (1985/2-) [FRONT WHEEL OUTER] PEUGEOT 104,504,505 DIESEL,GR,GRD,FAMILIAR,PICK-UP DIESEL RENAULT R4,R5,R6,R12,FUEGO [REAR WHEEL] TOYOTA STARLET,TARCEL (1984/10-89/12) [REAR WHEEL]
32005X/26					HONDA, YAMAHA, KAWASAKI, SUZUKI [MOTORCYCLE STEERING GEAR]
32006JR	CITROEN 3735.15 FORD 87CT7L352AA MERCEDES BENZ 005 981 39 05 RENAULT 07 83 200 600 TOYOTA 90366-30001		32006X/Q	32006JR (KOYO) 4T- 32006X (NTN)	TOYOTA CROWN 2000cc,SOARER 2000/2500cc,MARK-II,CRESTA, CHASER 2000cc (1984/8-88) CORONA,CARINA,CELICA 1600/1800cc (1982-85) [REAR WHEEL]
M320/28	MAZDA 8545-33-047			320/28JR, 320/28JLFT (KOYO)	MAZDA CAPERA 1800cc (1980/7-86/6) [FRONT WHEEL INNER] HONDA, YAMAHA, KAWASAKI, SUZUKI [MOTORCYCLE STEERING GEAR]
30303D	TOYOTA 97610-30303 DAIHATSU 90366-17001		30303D	4T-30303D (NTN)	TOYOTA LANDCRUISER BJ (1974-), FJ (1969-), LJ (1987-), HJ (1985-) [KNUCKLEARM] HI-LUX 2000, 2200cc 4WD DAIHATSU JEEP [KING PIN]
LM102949/ LM102910	MAZDA S231-33-047 MITSUBISHI MB932726, MB092749 TOYOTA 90368-45087, 90080-36067 VOLVO 6647502+6647504	LM102949/ LM102910	LM102949/ LM102910	LM102949/ LM102910 (KOYO)	MAZDA J80 ,J100 2200cc BONGO 1500,2000,2200DIESEL (1984/10-) [FRONT WHEEL INNER] MITSUBISHI CHARANGER 2500-3500cc, DELICA 2400-3000cc (1994/3-) [FRONT WHEEL OUTER] DELICA 1400-2500cc, DIESEL (1983/11-) PAJERO 2500-3500, DIESEL [FRONT WHEEL INNER/OUTER] TOYOTA LIGHTACE, TOYOACE, TOWNACE, DIESEL 1800-2200cc DYNA 1800-2800DIESEL, MASTERACE 2000-2000DIESEL, LANDCRUISER 2400DIESEL, 3000DIESEL, 3500DIESEL, 4000,4200DIESEL, 4700cc (1985/8-) [FRONT WHEEL OUTER] [REAR WHEEL OUTER] HIACE, HILUX 2000, 2400 DIESEL, 2800DIESEL (1988/8-) [FRONT WHEEL OUTER]
JLM104948/ JLM104910	TOYOTA 90368-49084 90080-36064 FORD C9NN7N043A VW 007311125	JLM104948/ JLM104910	JLM104948 / JLM104910	JLM104948/ 10 (KOYO)	TOYOTA HI-ACE 1800-2800DIESEL, TOYOACE 1800-2000cc,LIGHT-ACE, TOWN-ACE 2000cc DIESEL, DYNA 1800-2000cc, LANDCRUISER 2400DIESEL, 3000DIESEL, 3500DIESEL, 4000,4200DIESEL, 4000cc (1985/8-) [REAR WHEEL INNER] HIACE, HILUX 2400-3000cc DIESEL, (1994/8-) [FRONT WHEEL INNER]

TAPERED ROLLER BEARING					
MBS	OEM No.	TIMKEN	SKF	others	APPLICATION
LM11749/ LM11710	FORD 3024E1216+3024E1217B 72GB 1215AA OPEL 330011 GM 9415135,7451077 TOYOTA 90368-17017 MAZDA B002-33-075 ISUZU 9-00093-603 NISSAN 40215-21000 MITSUBISHI MB515922	LM11749/ LM11710	KLM11749 / KLM11710	LM11749R/ LM11710 (KOYO)	TOYOTA TARCEL, CORSA, COROLLA II, STARLET 1300-1500cc MITSUBISHI LANCER FIORE, MIRAGE, GALANT, ETERNA 1300-1800cc FORD FESTIVA 1100-1300cc (1985-94)
LM11949/ LM11910	GM 7450627 FORD 204E 1215A VW 211 405 645D TOYOTA 90368-19037 MAZDA B092-26-075 NISSAN 40215-A0100 MITSUBISHI MB515027 HONDA 91052-671-004	LM11949/ LM11910	KLM11949 / KLM11910 /Q	LM11949/ LM11910 (KOYO)	TOYOTA TOWN-ACE 1500-2000cc DIESEL 2000-2200cc CHASER, MARK- II 1800-2000cc, MASTER-ACE,LIGHT-ACE 1500-2200cc DELTA/WIDE 1500-2200cc (1983-) COROLLA 1300, 1800DIESEL (1987/10-91/09)
L45449/ L45410	MAZDA B092-26- 175 ISUZU 8-94245- 139 etc	L45449/ L45410	331274	L45449/10 (KOYO)	MAZDA FAMILIA 1300-1500cc, 1700cc DIESEL (1989/10-94/02) ISUZU PIAZZA 2000cc(1984/06-91/07) VOLKSWAGEN Sedan,Brasillia,TC,TL,Variant 74,Apollo,Gol,Golf, Parati, Santana,Passat
L44649/ L44610	MITSUBUSHI MB515921 MAZDA B002-33- 047 NISSAN 40210- A0800 etc	L44649/ L44610	KL44649/ KL44610	L44649R/10 (KOYO)	MITSUBISHI MIRAGE 1300-1800cc DIESEL, LANCER FIORE 1300-1800cc DIESEL,GALANT/ETERNA 1600-1800cc DIESEL (1984/06-1996/12) MAZDA FESTIVA 1100-1300cc (1985/10-1994/04) NISSAN SUNNY Truck 1200cc
M329013	FORD 89FB1238AC 547405645B	XC10240/ L45410	BT1B3290 13Q	572428 (FAG)	FORD ESCORT,VERONA 93,FIESTA [REAR WHEEL INNER & OUTER]
M12649/ M12610	TOYOTA 90368-21001 NISSAN 40215-F1700 MITSUBUSHI MB109565 ISUZU 8-94242-913 etc	M12649/ M12610	KM12649/ KM12610	M12649/10 (KOYO)	TOYOTA HI-ACE 1800-2000cc,HI-ACE DIESEL2400cc (1987/8-) ISUZU ELF2000-2500cc, FARGO 2700-3000cc MITSUBISHI DELICA 1400-2400cc,DELICA DIESEL 2500cc (1983/11-)
LM48548/ LM48510	NISSAN (40210- HC000) (40210-F1700) TOYOTA (90368- 34001) MAZDA (S083-33-047) MITSUBISHI (MB109564)	LM48548/ LM48510	LM48548/ LM48510/ Q	LM48548/ LM48510 (KOYO)	NISSAN (40210-HC000) (40210-F1700) TOYOTA (90368-34001) MAZDA (S083-33-047) MITSUBISHI (MB109564)
LM67048/ LM67010	TOYOTA 90368- 31067 NISSAN 40210- A0100 MITSUBUSHI MB515026 etc	LM67048/ LM67010	KLM67048 / KLM67010	LM67048/1 0 (KOYO)	TOYOTA TOWN-ACE 1500-2000cc,2000-2200cc DIESEL, MARK- II 1800-2400cc DIESEL, MASTER-ACE,LIGHT-ACE 1500-2200cc DIESEL , DELTA/WIDE 1500-2200cc DIESEL (1983/05-) NISSAN LAUREL1800- 2000cc,SUNNY VANETTE 1200-2000cc DIESEL VANETT

TAPERED ROLLER BEARING					
MBS	OEM No.	TIMKEN	SKF	others	APPLICATION
JL69349/ JL69310	TOYOTA (90368-38001, 97770-69349, 97770-69310) MAZDA (B001-33-047) NISSAN (40215-HC400) ISUZU (8-90142-867)	JL69349/ JL68145	K-JL69349 / K-JL69310	JL69349/10 (KOYO)	TOYOTA (90368-38001, 97770-69349, 97770-69310) MAZDA (B001-33-047) NISSAN (40215-HC400) ISUZU (8-90142-867)
07100/07196	EATON 656270 NEW DEPARTURE S601	07100/ 07196	K07100S/ K07196		EATON 656270 NEW DEPARTURE S601 CLARKEQU SK4573
18590/18520	MJM05552 FORD 5000360,712756,B161 77 NISSAN 40215-45600 etc	18590/ 18520	K18590/ K18520	18590/ 18520 (KOYO)	RENAULT ESTANCIERA/JEEP,BAQUEANO,GLADIATOR,PICK-UPT80, T1000 FORD Jeep,Rural,F-75 4X4 [FRONT WHEEL
02474/02420	TOYOTA 90368-28001 ISUZU 9-00093-086, 5-09812-037	02474/0242 0	02474/024 20 (KOYO)	0474R/02420 R (NSK)	TOYOTA COASTER 2400cc (1982/05-) COASTER DIESEL 3400-4200cc (1993/01-) DYNA 2000cc (1995/05-), 2400/2800/3000/3400cc DIESEL (1995/05-) TOYOACE HINO RANGER BU100-BU142M Front Wheel
3579/3525	TOYOTA 90368-42045	3579/3525	3579R/352 5 (KOYO)		TOYOTA COASTER 2400cc (1982/05-) COASTER DIESEL 3400-4200cc (1993/01-) DYNA 2000cc (1995/05-), 2400/2800/3000/3400cc DIESEL (1995/05-) TOYOACE HINO RANGER BU100-BU142M Front Wheel
28584/28521	TOYOTA 90368-52043 ISUZU 9-00093-082 NISSAN 43215-89TA0	28584/2852 1	28584/285 21 (KOYO)	28584R/2852 1R (NSK)	TOYOTA COASTER 2400cc (1982/05-) COASTER DIESEL 3400-4200cc (1993/01-) DYNA 2000cc (1995/05-), 2400/2800/3000/3400cc DIESEL (1995/05-) TOYOACE HINO RANGER BU100-BU142M Rear Wheel ISUZU E
469/453X	TOYOTA 90368-57010	469/453X	469/453X (KOYO)	469R/453XR (NSK)	TOYOTA COASTER 2400cc (1982/05-) COASTER DIESEL 3400-4200cc (1993/01-) DYNA 2000cc (1995/05-), 2400/2800/3000/3400cc DIESEL (1995/05-) TOYOACE HINO RANGER BU100-BU142M Rear Wheel
57410S/LM297 10S	MITSUBISHI MB349416, MB175967 HYUNDAI 51700-24000	TF38KW01C G5 (NSK)		57410LFT/L M29710 (KOYO)	MITSUBISHI LANCER 4G13 1300cc, 4G15 1500cc, 4G61 1600cc, 4D65 1800cc GALANT, MIRAGE (Year 1985-1992) HYUNDAI ELANTRA (Year 1992-1995) EXCEL (Year 1986-1994) ACCENT (1992-1995)
CN28KW02	MITSUBISHI MB515471 HYUNDAI 52720-24310	TF28KW02G 5SA (NSK)		4T CRI 0618 (NTN)	HYUNDAI EXCEL (Year 1989-1994) ,ELANTRA (Year 1992-1995) MITSUBISHI MIRAGE (Year 1989-1993) DODGE • PLYMOUTH COLT FWD (YEAR 1989-1992)