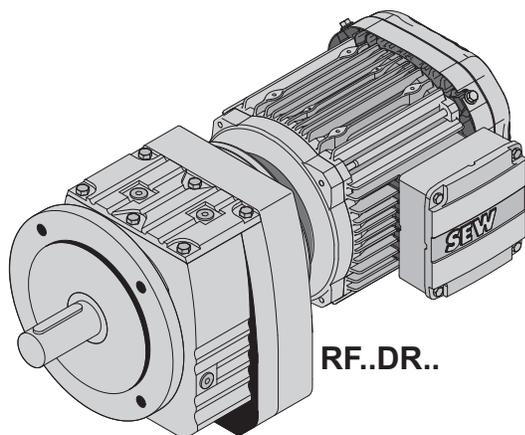
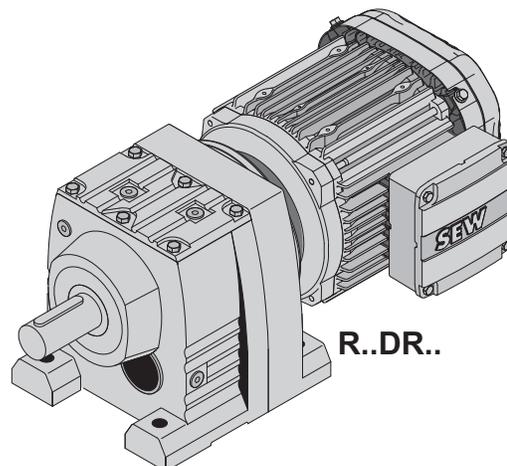


# 8 Helical gearmotors

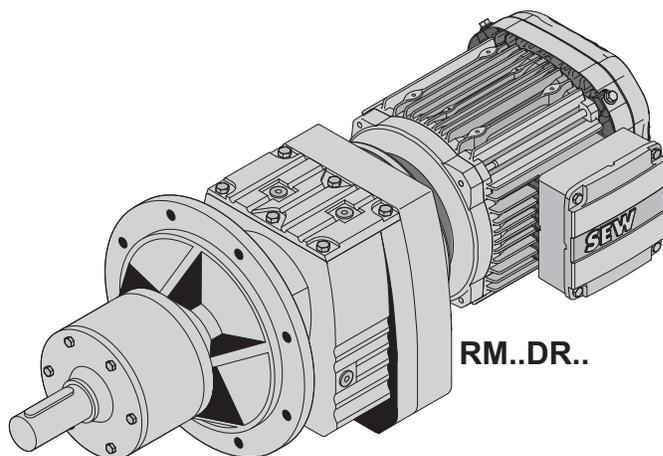
## 8.1 R..DRN.. designs



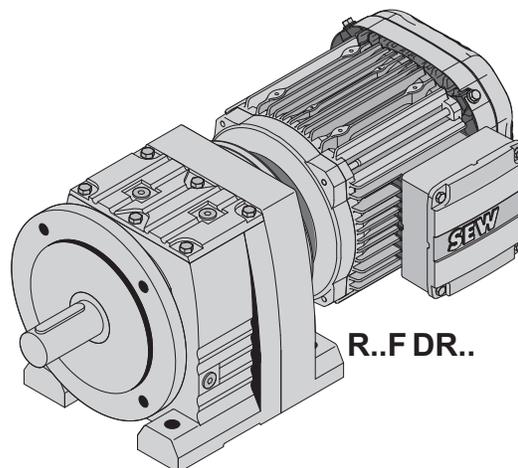
RF..DR..



R..DR..



RM..DR..

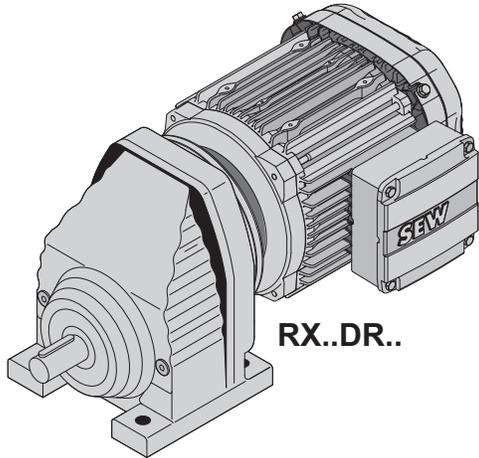


R..F DR..

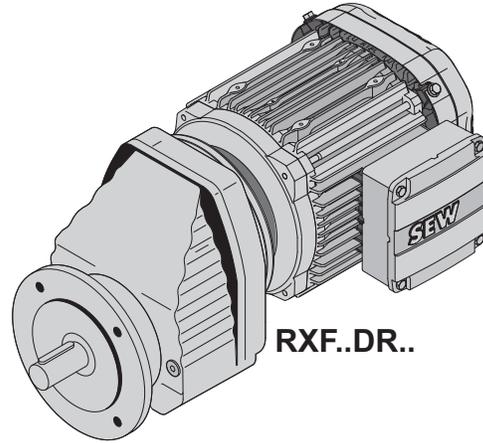
8654457099

8

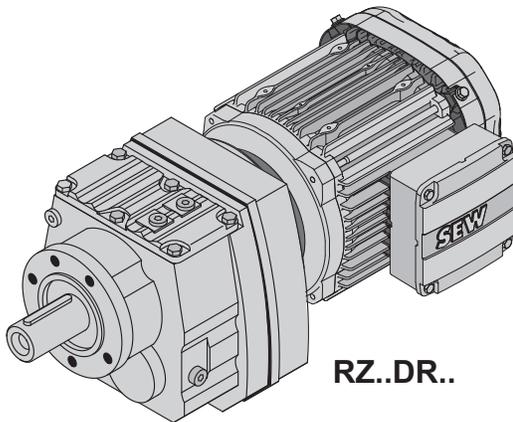
21933480/EN-US - 04/2018



RX..DR..



RXF..DR..



RZ..DR..

8962221323

8.2 R.. DRS/DRN.. Possible combinations

RX57, n <sub>e</sub> =1700 rpm										610 lb-in
n <sub>a</sub> rpm	T <sub>amax</sub> lb-in	F <sub>Ra</sub> lb	φ <sub>(/R)</sub> °	i	DR63S DRS71S DRS71M	DRN80M DRN90S	DRN90L	DRN100LM DRN100L	DRN112M	DRN132S DRN132M
 1										
309	345	650	-	5.50*						
335	315	635	-	5.07						
391	600	550	-	4.35						
449	610	515	-	3.79						
479	610	500	-	3.55*						
541	575	480	-	3.14						
584	590	405	-	2.91						
644	610	325	-	2.64*						
717	610	260	-	2.37						
833	610	166	-	2.04						
885	610	126	-	1.92*						
1030	610	27	-	1.65						
1150	600	-	-	1.48						
1310	555	-	-	1.30						

RX67, n <sub>e</sub> =1700 rpm										1180 lb-in
n <sub>a</sub> rpm	T <sub>amax</sub> lb-in	F <sub>Ra</sub> lb	φ <sub>(/R)</sub> °	i	DR63S DRS71S DRS71M	DRN80M DRN90S	DRN90L	DRN100LM DRN100L	DRN112M	DRN132S DRN132M
 1										
280	380	840	-	6.07						
328	660	745	-	5.18						
375	725	700	-	4.53						
395	705	685	-	4.30*						
451	765	640	-	3.77						
531	880	580	-	3.20*						
588	930	545	-	2.89						
669	1040	340	-	2.54						
708	1080	235	-	2.40*						
833	1180	-	-	2.04						
914	1110	-	-	1.86						
1055	1000	-	-	1.61						
1215	920	-	-	1.40*						

RX77, n <sub>e</sub> =1700 rpm										1900 lb-in	
n <sub>a</sub> rpm	T <sub>amax</sub> lb-in	F <sub>Ra</sub> lb	φ <sub>(/R)</sub> °	i	DR63S DRS71S DRS71M	DRN80M DRN90S	DRN90L	DRN100LM DRN100L	DRN112M	DRN132S DRN132M	DRN132L DRN160M DRN160L
 1											
212	500	1330	-	8.00*							
228	465	1300	-	7.47							
265	910	1170	-	6.41							
302	970	1110	-	5.63							
318	910	1100	-	5.35*							
359	1080	1020	-	4.73							
421	1260	930	-	4.04*							
459	1350	890	-	3.70							
523	1610	570	-	3.25*							

21933480/EN-US - 04/2018

RX77, $n_e=1700$ rpm					1900 lb-in						
$n_a$ rpm	$T_{amax}$ lb-in	$F_{Ra}$ lb	$\Phi_{(R)}$ '	$i$	DR63S DRS71S DRS71M	DRN80M DRN90S	DRN90L	DRN100LM DRN100L	DRN112M	DRN132S DRN132M	DRN132L DRN160M DRN160L
552	1700	425	-	3.08*							
630	1900	103	-	2.70							
700	1900	-	-	2.43							
798	1760	-	-	2.13							
904	1650	-	-	1.88*							
1020	1530	-	-	1.67							
1195	1370	-	-	1.42							

RX87, $n_e=1700$ rpm					3580 lb-in								
$n_a$ rpm	$T_{amax}$ lb-in	$F_{Ra}$ lb	$\Phi_{(R)}$ '	$i$	DRS71M	DRN80M DRN90S	DRN90L	DRN100LM DRN100L	DRN112M	DRN132S DRN132M	DRN132L DRN160M DRN160L	DRN180M DRN180L	DRN200L
 1													
197	1220	1650	-	8.65									
223	1310	1570	-	7.63									
236	1230	1550	-	7.20*									
264	1690	1430	-	6.45									
306	1990	1320	-	5.56*									
335	2210	1250	-	5.07									
378	2560	1140	-	4.50*									
450	2690	1040	-	3.78									
489	3580	440	-	3.48									
550	3580	270	-	3.09									
616	3580	91	-	2.76*									
685	3580	-	-	2.48									
791	3400	-	-	2.15									
881	3140	-	-	1.93									
1060	2780	-	-	1.60*									
1225	2560	-	-	1.39									

RX97, $n_e=1700$ rpm					5260 lb-in								
$n_a$ rpm	$T_{amax}$ lb-in	$F_{Ra}$ lb	$\Phi_{(R)}$ '	$i$	DRS71M	DRN80M DRN90S	DRN90L	DRN100LM DRN100L	DRN112M	DRN132S DRN132M	DRN132L DRN160M DRN160L	DRN180M DRN180L	DRN200L DRN225S
 1													
207	1990	2000	-	8.23									
237	2300	1870	-	7.16*									
259	2650	1780	-	6.56									
294	3710	1590	-	5.79									
346	3490	1500	-	4.91									
376	5260	1160	-	4.52									
421	5260	970	-	4.04									
467	5260	795	-	3.64*									
515	5260	620	-	3.30									
582	5260	425	-	2.92									
644	5260	235	-	2.64									
759	5260	-	-	2.24*									
867	5040	-	-	1.96									
1035	4460	-	-	1.64									
1195	4020	-	-	1.42									

RX107, n <sub>e</sub> =1700 rpm					7340 lb-in					
n <sub>a</sub> rpm	T <sub>amax</sub> lb-in	F <sub>Ra</sub> lb	Φ <sub>(/R)</sub> °	i	DRN100LM DRN100L	DRN112M	DRN132S DRN132M	DRN132L DRN160M DRN160L	DRN180M DRN180L	DRN200L DRN225S DRN225M
 1										
256	4070	2010	-	6.63*						
303	4020	1880	-	5.61						
328	6140	1600	-	5.19						
366	6140	1510	-	4.65						
405	7340	1090	-	4.20*						
446	7340	900	-	3.81						
503	7340	670	-	3.38						
554	7340	480	-	3.07						
644	7340	167	-	2.64*						
739	7340	-	-	2.30						
872	6760	-	-	1.95						
994	6230	-	-	1.71						
1180	5700	-	-	1.44						

8

R07, n <sub>e</sub> =1700 rpm					440 lb-in					
n <sub>a</sub> rpm	T <sub>amax</sub> lb-in	F <sub>Ra</sub> lb	Φ <sub>(/R)</sub> °	i	DT56M DT56L DR63S DRS71S DRS71M					
 3										
22	440	340	-	78.24						
24	440	340	-	71.47						
28	440	335	-	60.32						
33	440	315	-	51.52						
36	440	305	-	47.78						
38	440	295	-	44.16						
41	440	285	-	41.31						
42	440	285	-	40.34						
44	440	275	-	38.51						
50	440	265	-	34.05						
58	440	245	-	29.08						
63	440	235	-	26.97						
73	440	220	-	23.32						
78	440	215	-	21.73						
 2										
93	440	198	-	18.31						
102	440	190	-	16.73						
120	440	175	-	14.12						
141	440	161	-	12.06						
152	440	155	-	11.18						
176	440	144	-	9.67						
189	440	138	-	9.01						
217	430	130	-	7.85						
227	380	106	-	7.48						
249	380	93	-	6.83						
295	350	93	-	5.76						
346	325	95	-	4.92						
372	315	93	-	4.57						

21933480/EN-US - 04/2018

R07, $n_e=1700$ rpm					440 lb-in
$n_a$ rpm	$T_{amax}$ lb-in	$F_{Ra}$ lb	$\Phi_{(R)}$ '	$i$	DT56M DT56L DR63S DRS71S DRS71M
430	300	91	-	3.95	
462	290	91	-	3.68	
530	270	90	-	3.21	

R17, $n_e=1700$ rpm					750 lb-in	
$n_a$ rpm	$T_{amax}$ lb-in	$F_{Ra}$ lb	$\Phi_{(R)}$ '	$i$	DR63S DRS71S DRS71M	DRN80M
					 3	
21	750	395	-	81.64		
24	750	395	-	70.39		
26	750	395	-	65.61		
30	750	395	-	57.35		
32	750	395	-	53.76		
36	750	395	-	47.44		
38	750	395	-	44.18		
44	750	395	-	38.61		
47	750	395	-	36.20		
53	750	385	-	31.94		
60	750	365	-	28.32		
71	750	340	-	24.07		
					 2	
67	750	345	-	25.23		
73	750	330	-	23.15		
86	750	310	-	19.71		
100	750	285	-	16.99		
107	750	275	-	15.84		
123	750	260	-	13.84		
131	750	250	-	12.98		
148	715	240	-	11.45		
167	680	230	-	10.15		
197	635	220	-	8.63		
225	495	210	-	7.55		
241	485	205	-	7.04		
276	475	194	-	6.15		
295	465	190	-	5.76		
334	450	182	-	5.09		
377	420	176	-	4.51		
444	395	168	-	3.83		

R27, $n_e=1700$ rpm					1150 lb-in			
$n_a$ rpm	$T_{amax}$ lb-in	$F_{Ra}$ lb	$\Phi_{(R)}$ '	$i$	DR63S DRS71S DRS71M	DRN80M DRN90S	DRN90L	DRN100LM DRN100L
					 3			
13	1150	950	-	135.09				
14	1150	950	-	123.91				
16	1150	950	-	105.49				
19	1150	950	-	90.96				
20	1150	940	-	84.78				

R27, n <sub>e</sub> =1700 rpm					1150 lb-in			
n <sub>a</sub> rpm	T <sub>amax</sub> lb-in	F <sub>Ra</sub> lb	φ <sub>(/R)</sub> '	i	DR63S DRS71S DRS71M	DRN80M DRN90S	DRN90L	DRN100LM DRN100L
23	1150	890	-	74.11				
24	1150	870	-	69.47				
28	1150	830	-	61.30				
30	1150	800	-	55.87				
35	1150	755	-	48.17				
38	1150	735	-	44.90				
43	1150	695	-	39.25				
46	1150	680	-	36.79				
52	1150	645	-	32.47				
59	1150	615	-	28.78				
69	1150	575	-	24.47				
 2								
60	1150	610	-	28.37				
65	1150	590	-	26.09				
76	1150	550	-	22.32				
88	1150	520	-	19.35				
94	1150	505	-	18.08				
109	1150	475	-	15.63				
128	1150	410	-	13.28*				
143	1140	370	-	11.86				
168	1070	355	-	10.13				
181	1070	133	-	9.41				
208	1020	129	-	8.16				
223	990	137	-	7.63*				
258	930	136	-	6.59				
304	870	139	-	5.60*				
340	840	136	-	5.00*				
398	765	153	-	4.27				
425	750	151	-	4.00*				
504	695	152	-	3.37				

R27R17, n <sub>e</sub> =1700 rpm					1150 lb-in			
n <sub>a</sub> rpm	T <sub>amax</sub> lb-in	F <sub>Ra</sub> lb	φ <sub>(/R)</sub> '	i	DR63S DRS71S DRS71M	DRN80M		
 3								
0.20	1150	950	-	8612				
0.23	1150	745	-	7425				
0.25	1150	950	-	6921				
0.28	1150	950	-	6050				
0.33	1150	745	-	5217				
0.36	1150	950	-	4661				
0.42	1150	745	-	4073				
0.48	1150	950	-	3516				
0.54	1150	950	-	3160				
0.62	1150	950	-	2763				
0.70	1150	950	-	2414				
0.81	1150	950	-	2110				
0.91	1150	950	-	1862				
1.0	1150	745	-	1625				
1.2	1150	950	-	1434				

21933480/EN-US - 04/2018

R27R17, $n_e=1700$ rpm					1150 lb-in	
$n_a$ rpm	$T_{amax}$ lb-in	$F_{Ra}$ lb	$\Phi_{(R)}$ '	i	DR63S DRS71S DRS71M	DRN80M
1.4	1150	950	-	1254		
 2  3						
0.93	1150	950	-	1822		
1.1	1150	950	-	1580		
1.2	1150	950	-	1464		
1.3	1150	950	-	1270		
1.5	1150	950	-	1100		
1.7	1150	950	-	972		
2.0	1150	950	-	840		
2.3	1150	950	-	741		
2.6	1150	950	-	654		
3.0	1150	950	-	566		
3.4	1150	950	-	499		
 3  2						
1.5	1150	950	-	1101		
1.8	1150	950	-	962		
2.0	1150	745	-	848		
2.3	1150	745	-	743		
2.6	1150	950	-	649		
3.0	1150	950	-	567		
3.3	1150	950	-	509		
3.9	1150	950	-	432		
4.4	1150	950	-	387		
5.0	1150	745	-	339		
5.7	1150	745	-	296		
6.6	1150	950	-	259		
7.4	1150	950	-	229		
8.5	1150	950	-	200		
9.6	1150	745	-	177		
10	1150	950	-	166		
11	1150	950	-	150		
12	1150	950	-	141		
14	1150	745	-	124		
15	1150	950	-	110		
18	1150	950	-	94		
 2  2						
3.9	1150	950	-	440		
4.5	1150	950	-	381		
5.2	1150	950	-	329		
5.9	1150	950	-	290		
6.6	1150	950	-	256		
7.5	1150	950	-	227		
8.4	1150	950	-	203		
9.5	1150	950	-	179		
11	1150	950	-	156		
13	1150	950	-	135		
14	1150	950	-	118		
16	1150	950	-	104		
19	1150	950	-	90		

R37, n <sub>e</sub> =1700 rpm					1760 lb-in			
n <sub>a</sub> rpm	T <sub>amax</sub> lb-in	F <sub>Ra</sub> lb	φ <sub>(/R)</sub> °	i	DR63S DRS71S DRS71M	DRN80M DRN90S	DRN90L	DRN100LM DRN100L
 3								
13	1760	1110	7.9	134.82				
14	1760	1110	8	123.66				
16	1760	1110	8	105.28				
19	1760	1110	8	90.77				
20	1760	1110	8	84.61				
23	1760	1110	8	73.96				
25	1760	1110	8	69.33				
28	1760	1110	8.1	61.18				
30	1760	1110	8.7	55.76				
35	1760	1080	8.7	48.08				
38	1760	1020	8.8	44.81				
43	1760	920	8.8	39.17				
46	1760	880	8.9	36.72				
52	1760	790	8.9	32.40				
59	1760	705	9	28.73				
70	1760	605	9	24.42				
 2								
60	1760	700	7.3	28.32				
65	1630	740	7.4	26.03				
76	1760	545	7.4	22.27				
88	1760	460	7.5	19.31				
94	1760	425	7.5	18.05				
109	1760	345	7.7	15.60				
128	1680	320	7.9	13.25				
144	1610	310	8	11.83				
168	1500	315	8.1	10.11				
180	1470	305	8.2	9.47				
213	1380	300	8.4	7.97				
255	1270	144	12.1	6.67				
300	1250	94	12.4	5.67				
336	1190	104	12.7	5.06				
394	1110	114	13	4.32				
420	1070	121	13.2	4.05				
499	990	138	13.7	3.41				

8

R37R17, n <sub>e</sub> =1700 rpm					1760 lb-in			
n <sub>a</sub> rpm	T <sub>amax</sub> lb-in	F <sub>Ra</sub> lb	φ <sub>(/R)</sub> °	i	DR63S DRS71S DRS71M	DRN80M		
 3  3								
0.20	1760	1110	-	8595				
0.23	1760	1110	-	7411				
0.25	1760	1110	-	6907				
0.28	1760	1110	-	6038				
0.33	1760	1110	-	5206				
0.37	1760	1110	-	4651				
0.42	1760	1110	-	4065				
0.46	1760	1110	-	3658				
0.54	1760	1110	-	3154				
0.62	1760	1110	-	2757				

21933480/EN-US - 04/2018

R37R17, $n_e=1700$ rpm					1760 lb-in	
$n_a$ rpm	$T_{amax}$ lb-in	$F_{Ra}$ lb	$\Phi_{(R)}$ '	$i$	DR63S DRS71S DRS71M	DRN80M
0.71	1760	1110	-	2409		
0.81	1760	1110	-	2106		
0.92	1760	1110	-	1856		
1.0	1760	1110	-	1622		
1.2	1760	1110	-	1431		
1.4	1760	1110	-	1251		
 2  3						
0.94	1760	1110	-	1818		
1.1	1760	1110	-	1576		
1.3	1760	1110	-	1359		
1.3	1760	1110	-	1267		
1.5	1760	1110	-	1098		
1.8	1760	1110	-	970		
2.0	1760	1110	-	839		
2.3	1760	1110	-	740		
2.6	1760	1110	-	653		
2.9	1760	1110	-	577		
3.4	1760	1110	-	498		
 3  2						
1.5	1760	1110	-	1099		
1.8	1760	1110	-	960		
2.0	1760	1110	-	847		
2.3	1760	1110	-	741		
2.6	1760	1110	-	647		
3.0	1760	1110	-	566		
3.3	1760	1110	-	508		
3.9	1760	1110	-	431		
4.4	1760	1110	-	387		
5.0	1760	1110	-	338		
5.7	1760	1110	-	296		
6.6	1760	1110	-	259		
7.5	1760	1110	-	228		
8.5	1760	1110	-	199		
9.9	1760	1110	-	172		
11	1760	1110	-	150		
13	1760	1110	-	130		
14	1760	1110	-	124		
15	1760	1110	-	110		
18	1760	1110	-	94		
 2  2						
3.9	1760	1110	-	439		
4.5	1760	1110	-	378		
5.2	1760	1110	-	328		
5.9	1760	1110	-	289		
6.4	1760	1110	-	265		
7.5	1760	1110	-	226		
8.4	1760	1110	-	202		
9.5	1760	1110	-	179		
11	1760	1110	-	156		
13	1760	1110	-	135		

R37R17, n <sub>e</sub> =1700 rpm					1760 lb-in	
n <sub>a</sub> rpm	T <sub>amax</sub> lb-in	F <sub>Ra</sub> lb	φ <sub>(/R)</sub> '	i	DR63S DRS71S DRS71M	DRN80M
13	1760	1110	-	127		
16	1760	1110	-	104		
19	1760	1110	-	90		

R47, n <sub>e</sub> =1700 rpm					2650 lb-in					
n <sub>a</sub> rpm	T <sub>amax</sub> lb-in	F <sub>Ra</sub> lb	φ <sub>(/R)</sub> '	i	DR63S DRS71S DRS71M	DRN80M DRN90S	DRN90L	DRN100LM DRN100L	DRN112M	DRN132S
 3										
9.6	2650	1220	6.9	176.88						
10	2650	1220	6.9	162.94						
12	2650	1220	6.9	139.99						
14	2650	1220	6.9	121.87						
15	2650	1220	6.9	114.17						
17	2650	1220	7	100.86						
18	2650	1220	7	93.68						
20	2650	1220	7	84.90						
22	2650	1220	7	76.23						
25	2650	1220	7.6	68.54						
26	2650	1200	7.6	64.21						
30	2650	1150	7.6	56.73						
32	2650	1110	7.6	52.69						
36	2650	1070	7.7	47.75						
40	2650	1020	7.7	42.87						
46	2650	960	7.7	36.93						
49	2650	940	7.7	34.73						
57	2650	880	7.8	29.88						
64	2650	840	7.9	26.70						
72	2650	775	8	23.59						
 2										
50	2120	970	6.5	33.79						
55	1940	960	6.5	31.12						
64	2650	840	6.6	26.74						
73	2650	760	6.6	23.28						
78	2650	710	6.7	21.81						
88	2610	640	6.8	19.27						
95	2560	615	6.8	17.89						
105	2430	625	6.9	16.22						
117	2340	605	7	14.56						
136	2210	590	7.1	12.54						
144	2160	575	7.1	11.79						
167	2030	565	7.3	10.15						
187	1940	550	7.7	9.07						
212	1810	555	7.8	8.01						
219	1440	565	9.5	7.76*						
244	1400	540	9.7	6.96						
283	1380	510	9.9	6.00						
301	1370	500	10	5.64*						
351	1320	470	10.3	4.85						
392	1290	455	11.1	4.34						
444	1270	430	11.4	3.83						

21933480/EN-US - 04/2018

R47R37, n <sub>e</sub> =1700 rpm					2650 lb-in			
n <sub>a</sub> rpm	T <sub>amax</sub> lb-in	F <sub>Ra</sub> lb	φ <sub>(R)</sub> °	i	DR63S DRS71S DRS71M	DRN80M DRN90S	DRN90L	DRN100LM DRN100L
					 3  3			
0.13	2650	1220	-	13598				
0.14	2650	1220	-	12472				
0.16	2650	1220	-	10619				
0.19	2650	1220	-	9155				
0.20	2650	1220	-	8534				
0.23	2650	1220	-	7460				
0.24	2650	1220	-	6993				
0.28	2650	1220	-	6171				
0.30	2650	1220	-	5624				
0.35	2650	1220	-	4849				
0.38	2650	1220	-	4520				
0.43	2650	1220	-	3951				
0.46	2650	1220	-	3704				
0.52	2650	1220	-	3268				
0.59	2650	1220	-	2898				
0.69	2650	1220	-	2463				
					 2  3			
0.65	2650	1220	-	2598				
0.71	2650	1220	-	2383				
0.84	2650	1220	-	2029				
0.97	2650	1220	-	1749				
1.0	2650	1220	-	1630				
1.2	2650	1220	-	1425				
1.3	2650	1220	-	1336*				
1.4	2650	1220	-	1179				
1.6	2650	1220	-	1074				
1.8	2650	1220	-	927				
2.0	2650	1220	-	863				
2.3	2650	1220	-	755				
2.4	2650	1220	-	708				
2.7	2650	1220	-	624				
3.1	2650	1220	-	554				
3.6	2650	1220	-	471				
					 3  2			
0.60	2650	1220	-	2856				
0.65	2650	1220	-	2625				
0.76	2650	1220	-	2246				
0.87	2650	1220	-	1948				
0.93	2650	1220	-	1821				
1.1	2650	1220	-	1573				
1.4	2650	1220	-	1193				
1.7	2650	1220	-	1020				
1.8	2650	1220	-	955				
2.1	2650	1220	-	804				
2.5	2650	1220	-	673				
3.0	2650	1220	-	572				
3.3	2650	1220	-	510				
3.9	2650	1220	-	436				
4.2	2650	1220	-	408				

R47R37, n <sub>e</sub> =1700 rpm					2650 lb-in			
n <sub>a</sub> rpm	T <sub>amax</sub> lb-in	F <sub>Ra</sub> lb	φ <sub>(/R)</sub> °	i	DR63S DRS71S DRS71M	DRN80M DRN90S	DRN90L	DRN100LM DRN100L
4.9	2650	1220	-	344				
 2  2								
3.1	2650	1220	-	546				
3.4	2650	1220	-	502				
4.0	2650	1220	-	429				
4.6	2650	1220	-	372				
4.9	2650	1220	-	348				
5.6	2650	1220	-	301				
6.7	2650	1220	-	255				
7.5	2650	1220	-	228				
8.7	2650	1220	-	195				
9.3	2650	1220	-	182				
11	2650	1220	-	154				
13	2650	1220	-	129				
16	2650	1220	-	109				
17	2650	1220	-	98				

R57, n <sub>e</sub> =1700 rpm					3980 lb-in					
n <sub>a</sub> rpm	T <sub>amax</sub> lb-in	F <sub>Ra</sub> lb	φ <sub>(/R)</sub> °	i	DR63S DRS71S DRS71M	DRN80M DRN90S	DRN90L	DRN100LM DRN100L	DRN112M	DRN132S DRN132M
 3										
9.1	3980	1600	6.9	186.89						
9.9	3980	1600	6.9	172.17						
11	3980	1600	6.9	147.92						
13	3980	1600	6.9	128.77						
14	3980	1600	6.9	120.63						
16	3980	1600	7	106.58						
17	3980	1600	7	98.99						
19	3980	1600	7	89.71						
21	3980	1580	7	80.55						
25	3980	1490	7.5	69.23						
26	3980	1450	7.5	64.85						
30	3980	1370	7.6	57.29						
32	3980	1330	7.6	53.22						
35	3980	1280	7.6	48.23						
39	3980	1220	7.6	43.30						
46	3980	1140	7.6	37.30*						
48	3980	1110	7.7	35.07						
56	3980	1040	7.7	30.18						
63	3980	990	7.8	26.97						
 2										
65	3980	980	6.4	26.31						
68	3980	950	6.5	24.99*						
78	3980	900	6.6	21.93						
91	3980	830	6.7	18.60*						
101	3980	745	6.7	16.79						
115	3840	695	6.8	14.77*						
122	3800	670	6.8	13.95*						
143	3580	645	6.9	11.88						
158	3450	635	7.2	10.79						

21933480/EN-US - 04/2018

R57, n <sub>e</sub> =1700 rpm					3980 lb-in					
n <sub>a</sub> rpm	T <sub>amax</sub> lb-in	F <sub>Ra</sub> lb	Φ <sub>(/R)</sub> °	i	DR63S DRS71S DRS71M	DRN80M DRN90S	DRN90L	DRN100LM DRN100L	DRN112M	DRN132S DRN132M
182	3270	615	7.4	9.35						
188	3310	305	8.7	9.06						
213	3140	315	8.8	7.97						
226	3090	300	8.8	7.53						
265	2960	270	9	6.41						
292	2830	285	9.6	5.82						
337	2690	270	9.9	5.05						
387	2470	315	10.1	4.39						

R57R37, n <sub>e</sub> =1700 rpm					3980 lb-in			
n <sub>a</sub> rpm	T <sub>amax</sub> lb-in	F <sub>Ra</sub> lb	Φ <sub>(/R)</sub> °	i	DR63S DRS71S DRS71M	DRN80M DRN90S	DRN90L	DRN100LM DRN100L
					 3  3			
0.12	3980	1600	-	14369				
0.14	3980	1600	-	12095				
0.16	3980	1600	-	10860				
0.18	3980	1600	-	9445				
0.20	3980	1600	-	8480				
0.23	3980	1600	-	7312				
0.26	3980	1600	-	6521				
0.30	3980	1600	-	5585				
0.34	3980	1600	-	4928				
0.39	3980	1600	-	4378				
0.44	3980	1600	-	3873				
0.51	3980	1600	-	3344				
0.58	3980	1600	-	2907				
0.66	3980	1600	-	2567				
0.76	3980	1600	-	2244				
0.86	3980	1600	-	1967				
					 2  3			
0.57	3980	1600	-	2957				
0.68	3980	1600	-	2508				
0.74	3980	1600	-	2309				
0.85	3980	1600	-	1991				
0.96	3980	1600	-	1768				
1.1	3980	1600	-	1520				
1.3	3980	1600	-	1342*				
1.5	3980	1600	-	1164				
1.7	3980	1600	-	1027				
1.9	3980	1600	-	894				
2.1	3980	1600	-	805				
2.5	3980	1600	-	683				
2.8	3980	1600	-	603				
3.2	3980	1600	-	534				
3.7	3980	1600	-	454				
4.1	3980	1600	-	410				
					 3  2			
0.98	3980	1600	-	1732				
1.1	3980	1600	-	1555				
1.2	3980	1600	-	1399				

21933480/EN-US - 04/2018

R57R37, n <sub>e</sub> =1700 rpm					3980 lb-in			
n <sub>a</sub> rpm	T <sub>amax</sub> lb-in	F <sub>Ra</sub> lb	φ <sub>(/R)</sub> °	i	DR63S DRS71S DRS71M	DRN80M DRN90S	DRN90L	DRN100LM DRN100L
1.4	3980	1600	-	1189				
1.6	3980	1600	-	1034				
2.2	3980	1600	-	782				
2.5	3980	1600	-	678				
2.8	3980	1600	-	604				
3.2	3980	1600	-	537				
3.6	3980	1600	-	471				
4.8	3980	1600	-	357				
5.3	3980	1600	-	319				
6.2	3980	1600	-	273				
7.1	3980	1600	-	241				
7.9	3980	1600	-	215				
9.1	3980	1600	-	187				
10	3980	1600	-	164				
12	3980	1600	-	142				
 2  2								
4.7	3980	1600	-	359				
5.2	3980	1600	-	324				
5.9	3980	1600	-	290				
6.5	3980	1600	-	262				
6.9	3980	1600	-	246*				
7.7	3980	1600	-	220*				
9.0	3980	1600	-	188				
11	3980	1600	-	159				
12	3980	1600	-	146				
13	3980	1600	-	134				

8

R67, n <sub>e</sub> =1700 rpm					5300 lb-in					
n <sub>a</sub> rpm	T <sub>amax</sub> lb-in	F <sub>Ra</sub> lb	φ <sub>(/R)</sub> °	i	DR63S DRS71S DRS71M	DRN80M DRN90S	DRN90L	DRN100LM DRN100L	DRN112M	DRN132S DRN132M
 3										
8.5	5300	1700	6.4	199.81						
9.2	5300	1700	6.4	184.07						
11	5300	1700	6.4	158.14						
12	5300	1700	6.4	137.67						
13	5300	1700	6.4	128.97						
15	5300	1700	6.5	113.94						
16	5300	1700	6.5	105.83						
18	5300	1700	6.5	95.91						
20	5300	1700	6.5	86.11						
23	5300	1700	6.5	74.17						
24	5300	1700	6.5	69.75						
28	5300	1700	7	61.26						
30	5300	1700	7	56.89						
33	5300	1700	7.1	51.56						
37	5300	1700	7.1	46.29						
43	5130	1750	7.1	39.88*						
45	5040	1780	7.1	37.50						
53	4770	1850	7.2	32.27						
59	4600	1890	7.3	28.83						

21933480/EN-US - 04/2018

R67, n <sub>e</sub> =1700 rpm					5300 lb-in					
n <sub>a</sub> rpm	T <sub>amax</sub> lb-in	F <sub>Ra</sub> lb	Φ <sub>(/R)</sub> °	i	DR63S DRS71S DRS71M	DRN80M DRN90S	DRN90L	DRN100LM DRN100L	DRN112M	DRN132S DRN132M
 2										
60	4770	1850	6	28.13						
64	4770	1850	6	26.72						
73	4950	1760	6.1	23.44						
85	5300	1470	6.2	19.89						
95	5220	1380	6.2	17.95						
108	4950	1350	6.3	15.79						
114	4860	1320	6.3	14.91						
134	4600	1260	6.4	12.70						
147	4420	1230	6.7	11.54						
170	4150	1200	6.8	10.00						
195	3890	1190	7	8.70*						
218	3360	1110	8.3	7.79						
231	3270	1100	8.3	7.36*						
271	2910	1150	8.5	6.27						
298	2740	1130	9.1	5.70						
345	2560	1080	9.4	4.93						
396	2380	1040	9.7	4.29						

R67R37, n <sub>e</sub> =1700 rpm					5300 lb-in					
n <sub>a</sub> rpm	T <sub>amax</sub> lb-in	F <sub>Ra</sub> lb	Φ <sub>(/R)</sub> °	i	DR63S DRS71S DRS71M	DRN80M DRN90S	DRN90L	DRN100LM DRN100L	DRN112M	DRN132S DRN132M
 3  3										
0.11	5300	1700	-	15361						
0.13	5300	1700	-	12931						
0.14	5300	1700	-	11996						
0.17	5300	1700	-	10097						
0.19	5300	1700	-	9066						
0.22	5300	1700	-	7816						
0.25	5300	1700	-	6732						
0.28	5300	1700	-	5970						
0.32	5300	1700	-	5268						
0.36	5300	1700	-	4680						
0.41	5300	1700	-	4136						
0.48	5300	1700	-	3566						
0.54	5300	1700	-	3125						
0.62	5300	1700	-	2745						
0.71	5300	1700	-	2403						
 2  3										
0.63	5300	1700	-	2682						
0.69	5300	1700	-	2460						
0.81	5300	1700	-	2094						
0.94	5300	1700	-	1805						
1.0	5300	1700	-	1629						
1.2	5300	1700	-	1471						
1.2	5300	1700	-	1379						
1.5	5300	1700	-	1109						
1.8	5300	1700	-	956						
1.9	5300	1700	-	891						
2.3	5300	1700	-	730						

R67R37, n <sub>e</sub> =1700 rpm					5300 lb-in			
n <sub>a</sub> rpm	T <sub>amax</sub> lb-in	F <sub>Ra</sub> lb	Φ <sub>(/R)</sub> °	i	DR63S DRS71S DRS71M	DRN80M DRN90S	DRN90L	DRN100LM DRN100L
2.6	5300	1700	-	644				
3.0	5300	1700	-	571				
3.5	5300	1700	-	486				
 3  2								
0.80	5300	1700	-	2136				
0.92	5300	1700	-	1852				
1.0	5300	1700	-	1652				
1.2	5300	1700	-	1432				
1.4	5300	1700	-	1259				
1.5	5300	1700	-	1106				
2.0	5300	1700	-	836				
2.3	5300	1700	-	750				
2.6	5300	1700	-	646				
3.0	5300	1700	-	574				
3.4	5300	1700	-	495				
3.9	5300	1700	-	438				
4.4	5300	1700	-	388				
4.9	5300	1700	-	344				
5.8	5300	1700	-	294				
6.5	5300	1700	-	261				
7.3	5300	1700	-	234				
8.5	5300	1700	-	200				
9.7	5300	1700	-	176				
11	5300	1700	-	158				
 2  2								
3.8	5300	1700	-	443				
4.4	5300	1700	-	384				
4.7	5300	1700	-	359				
5.5	5300	1700	-	310				
6.4	5300	1700	-	264*				
7.2	5300	1700	-	235				
8.5	5300	1700	-	201				
9.4	5300	1700	-	181				
11	5300	1700	-	159				

R77, n <sub>e</sub> =1700 rpm					7250 lb-in						
n <sub>a</sub> rpm	T <sub>amax</sub> lb-in	F <sub>Ra</sub> lb	Φ <sub>(/R)</sub> °	i	DR63S DRS71S DRS71M	DRN80M DRN90S	DRN90L	DRN100LM DRN100L	DRN112M	DRN132S DRN132M	DRN132L DRN160M DRN160L
 3											
8.7	7250	2230	6.4	195.24*							
10	7250	2230	6.5	166.59							
12	7250	2230	6.4	145.67							
12	7250	2230	6.4	138.39							
14	7250	2230	6.5	121.42							
17	7250	2230	6.5	102.99							
18	7250	2230	6.5	92.97							
21	7250	2230	6.5	81.80							
22	7250	2230	6.5	77.24							
26	7250	2230	6.5	65.77							
29	7250	2230	7.1	57.68							

21933480/EN-US - 04/2018

R77, n <sub>e</sub> =1700 rpm					7250 lb-in						
n <sub>a</sub> rpm	T <sub>amax</sub> lb-in	F <sub>Ra</sub> lb	Φ <sub>(R)</sub> °	i	DR63S DRS71S DRS71M	DRN80M DRN90S	DRN90L	DRN100LM DRN100L	DRN112M	DRN132S DRN132M	DRN132L DRN160M DRN160L
33	7250	2230	7.1	52.07							
37	7250	2230	7.1	45.81							
39	7250	2230	7.1	43.26							
46	7250	2230	7.1	36.83							
51	7250	2230	7.2	33.47							
59	7250	2030	7.3	29.00							
67	6900	1950	7.3	25.23							
 2											
73	7250	1690	6.1	23.37							
79	7250	1560	6.1	21.43							
90	6900	1510	6.1	18.80							
95	6900	1430	6.2	17.82*							
109	6540	1390	6.2	15.60							
121	6370	1330	6.5	14.05							
138	6100	1270	6.4	12.33							
156	5830	1220	6.5	10.88							
176	5570	1190	6.7	9.64							
198	5570	705	7.5	8.59							
220	5390	675	7.9	7.74							
250	5130	660	7.8	6.79							
284	4770	700	8	5.99*							
320	4510	710	8.4	5.31*							

R77R37, n <sub>e</sub> =1700 rpm					7250 lb-in			
n <sub>a</sub> rpm	T <sub>amax</sub> lb-in	F <sub>Ra</sub> lb	Φ <sub>(R)</sub> °	i	DR63S DRS71S DRS71M	DRN80M DRN90S	DRN90L	DRN100LM DRN100L
 3  3								
0.10	7250	2230	-	16370				
0.11	7250	2230	-	15015				
0.12	7250	2230	-	13885				
0.13	7250	2230	-	12783				
0.15	7250	2230	-	11021				
0.17	7250	2230	-	9788				
0.20	7250	2230	-	8714				
0.22	7250	2230	-	7617				
0.25	7250	2230	-	6770				
0.29	7250	2230	-	5838				
0.33	7250	2230	-	5184				
0.38	7250	2230	-	4470				
0.43	7250	2230	-	3999				
0.49	7250	2230	-	3488				
0.56	7250	2230	-	3053				
0.64	7250	2230	-	2671				
 2  3								
0.54	7250	2230	-	3151				
0.59	7250	2230	-	2890				
0.69	7250	2230	-	2460				
0.80	7250	2230	-	2121				
0.86	7250	2230	-	1977				
0.98	7250	2230	-	1728				

R77R37, n <sub>e</sub> =1700 rpm					7250 lb-in			
n <sub>a</sub> rpm	T <sub>amax</sub> lb-in	F <sub>Ra</sub> lb	φ <sub>(/R)</sub> °	i	DR63S DRS71S DRS71M	DRN80M DRN90S	DRN90L	DRN100LM DRN100L
1.0	7250	2230	-	1620				
1.2	7250	2230	-	1430				
1.3	7250	2230	-	1303				
1.5	7250	2230	-	1124				
1.6	7250	2230	-	1047				
1.9	7250	2230	-	915				
2.0	7250	2230	-	858				
2.2	7250	2230	-	757				
2.5	7250	2230	-	671				
3.0	7250	2230	-	571				
 3  2								
0.72	7250	2230	-	2345				
0.82	7250	2230	-	2070				
0.93	7250	2230	-	1822				
1.1	7250	2230	-	1580				
1.2	7250	2230	-	1394				
1.4	7250	2230	-	1218				
1.6	7250	2230	-	1084*				
1.8	7250	2230	-	940				
2.1	7250	2230	-	821				
2.3	7250	2230	-	731				
2.6	7250	2230	-	646				
3.0	7250	2230	-	560				
3.5	7250	2230	-	488				
3.9	7250	2230	-	436				
4.6	7250	2230	-	373				
5.2	7250	2230	-	327				
5.9	7250	2230	-	289				
6.5	7250	2230	-	260				
7.6	7250	2230	-	224				
8.6	7250	2230	-	197				
10	7250	2230	-	169				
11	7250	2230	-	149				
 2  2								
3.3	7250	2230	-	520				
3.8	7250	2230	-	451				
4.0	7250	2230	-	422				
4.7	7250	2230	-	365				
5.5	7250	2230	-	310*				
6.2	7250	2230	-	276				
7.2	7250	2230	-	236				
7.7	7250	2230	-	221				
9.1	7250	2230	-	186				

R87, n <sub>e</sub> =1700 rpm					13700 lb-in								
n <sub>a</sub> rpm	T <sub>amax</sub> lb-in	F <sub>Ra</sub> lb	φ <sub>(/R)</sub> °	i	DRS71M	DRN80M DRN90S	DRN90L	DRN100LM DRN100L	DRN112M	DRN132S DRN132M	DRN132L DRN160M DRN160L	DRN180M DRN180L	DRN200L
 3													
6.9	13700	3800	6	246.54									
7.9	13700	3800	6	216.54									

21933480/EN-US - 04/2018

R87, $n_e=1700$ rpm					13700 lb-in								
$n_a$ rpm	$T_{amax}$ lb-in	$F_{Ra}$ lb	$\phi_{(R)}$ '	$i$	DRS71M	DRN80M DRN90S	DRN90L	DRN100LM DRN100L	DRN112M	DRN132S DRN132M	DRN160M DRN160L	DRN180M DRN180L	DRN200L
8.3	13700	3800	6	205.71									
9.4	13700	3800	6	181.77									
11	13700	3800	6	155.34									
12	13700	3800	6	142.41									
14	13700	3800	6	124.97									
14	13700	3800	6	118.43*									
16	13700	3800	6	103.65									
18	13700	3800	6	93.38									
21	13700	3730	6	81.92									
23	13700	3380	6.4	72.57									
27	13700	3020	6.4	63.68*									
28	13700	2880	6.4	60.35*									
32	13700	2540	6.5	52.82									
36	13700	2280	6.5	47.58									
41	13700	1970	6.5	41.74									
46	13700	1680	6.5	36.84*									
52	13700	1420	6.6	32.66*									
61	13200	1250	6.6	27.88									
 2													
49	13200	1690	5.5	34.40*									
54	13700	1330	5.5	31.40									
61	13700	1080	5.5	27.84*									
73	13700	740	5.5	23.40									
79	13200	740	5.7	21.51									
89	12700	720	5.7	19.10									
100	12200	685	5.8	17.08*									
111	11800	665	5.9	15.35									
128	11300	630	6	13.33									
142	10800	615	6	11.93									
172	10400	500	6.1	9.90*									
186	10700	-	6.3	9.14*									
207	10200	-	6.6	8.22									
238	9460	-	6.7	7.13									
266	9020	-	6.8	6.39									
321	8050	149	7	5.30*									

R87R57, $n_e=1700$ rpm					13700 lb-in					
$n_a$ rpm	$T_{amax}$ lb-in	$F_{Ra}$ lb	$\phi_{(R)}$ '	$i$	DR63S DRS71S DRS71M	DRN80M DRN90S	DRN90L	DRN100LM DRN100L	DRN112M	DRN132S DRN132M
 3  3										
0.10	13700	3800	-	17452						
0.11	13700	3800	-	15310						
0.12	13700	3800	-	13813						
0.14	13700	3800	-	12025						
0.16	13700	3800	-	10549						
0.18	13700	3800	-	9244						
0.21	13700	3800	-	8109						
0.24	13700	3800	-	7038						
0.28	13700	3800	-	6174						
0.31	13700	3800	-	5449						

R87R57, n <sub>e</sub> =1700 rpm					13700 lb-in					
n <sub>a</sub> rpm	T <sub>amax</sub> lb-in	F <sub>Ra</sub> lb	φ <sub>(/R)</sub> '	i	DR63S DRS71S DRS71M	DRN80M DRN90S	DRN90L	DRN100LM DRN100L	DRN112M	DRN132S DRN132M
0.35	13700	3800	-	4831						
0.40	13700	3800	-	4206						
0.45	13700	3800	-	3744						
0.53	13700	3800	-	3233						
0.59	13700	3800	-	2873						
0.68	13700	3800	-	2518						
0.77	13700	3800	-	2209						
0.87	13700	3800	-	1961						
1.7	13700	3800	-	994						
1.9	13700	3800	-	881						
 2  3										
0.42	13700	3800	-	4020						
0.46	13700	3800	-	3703						
0.53	13700	3800	-	3182						
0.61	13700	3800	-	2770						
0.66	13700	3800	-	2595						
0.80	13700	3800	-	2129						
0.88	13700	3800	-	1930						
0.98	13700	3800	-	1733						
1.1	13700	3800	-	1489						
1.2	13700	3800	-	1395						
1.4	13700	3800	-	1232						
1.5	13700	3800	-	1145						
1.6	13700	3800	-	1037						
1.8	13700	3800	-	931						
2.1	13700	3800	-	802*						
2.3	13700	3800	-	754						
2.6	13700	3800	-	649						
2.9	13700	3800	-	580						
 3  2										
0.98	13700	3800	-	1737						
1.1	13700	3800	-	1524						
1.3	13700	3800	-	1303						
1.5	13700	3800	-	1143						
1.7	13700	3800	-	1008						
1.9	13700	3800	-	885						
2.2	13700	3800	-	776						
2.5	13700	3800	-	685*						
2.8	13700	3800	-	599						
3.2	13700	3800	-	525						
3.7	13700	3800	-	456*						
4.3	13700	3800	-	398						
4.8	13700	3800	-	352						
5.6	13700	3800	-	305						
6.3	13700	3800	-	268						
7.2	13700	3800	-	236*						
8.1	13700	3800	-	209*						
 2  2										
3.2	13700	3800	-	538						
3.6	13700	3800	-	472						
4.2	13700	3800	-	400						

21933480/EN-US - 04/2018

R87R57, n <sub>e</sub> =1700 rpm						13700 lb-in				
n <sub>a</sub> rpm	T <sub>amax</sub> lb-in	F <sub>Ra</sub> lb	φ <sub>(/R)</sub> '	i	DR63S DRS71S DRS71M	DRN80M DRN90S	DRN90L	DRN100LM DRN100L	DRN112M	DRN132S DRN132M
4.7	13700	3800	-	361						
5.7	13700	3800	-	300						
6.6	13700	3800	-	256						
7.3	13700	3800	-	232						
8.7	13700	3800	-	195						

R97, n <sub>e</sub> =1700 rpm					26500 lb-in								
n <sub>a</sub> rpm	T <sub>amax</sub> lb-in	F <sub>Ra</sub> lb	φ <sub>(/R)</sub> '	i	DRS71M	DRN80M DRN90S	DRN90L	DRN100LM DRN100L	DRN112M	DRN132S DRN132M	DRN132L DRN160M DRN160L	DRN180M DRN180L	DRN200L DRN225S
 3													
5.9	26500	4450	5.7	289.74									
6.6	26500	4450	5.7	255.71									
7.0	26500	4450	5.7	241.25									
7.9	26500	4450	5.7	216.28									
9.1	26500	4450	5.7	186.30									
10.0	26500	4450	5.7	170.02									
11	26500	4450	5.7	150.78									
13	26500	4450	5.7	126.75									
15	26500	4450	5.7	116.48									
16	26500	4450	5.7	103.44									
18	26500	4270	5.7	92.48									
20	26500	3840	5.8	83.15									
24	26500	3300	5.8	72.17									
26	26500	2930	6.1	65.21									
28	26500	2620	6.2	59.92									
32	26500	2210	6.2	53.21									
36	26500	1840	6.2	47.58									
40	26500	1500	6.2	42.78									
46	26500	1060	6.3	37.13									
51	25500	1030	6.3	33.25									
62	23600	1090	6.3	27.58									
 2													
53	22600	1800	5.3	32.05									
63	22600	1340	5.3	27.19									
68	25000	400	5.4	25.03									
76	24000	400	5.5	22.37									
84	23000	430	5.5	20.14									
93	22100	485	5.6	18.24									
105	21200	470	5.6	16.17									
116	20300	510	5.6	14.62									
137	19300	445	5.7	12.39									
157	18400	435	5.8	10.83									
183	17900	-	5.6	9.29									
203	17900	-	5.7	8.39									
239	17600	-	5.8	7.12									
274	16700	-	5.9	6.21									
327	15700	-	6.1	5.20									
378	14400	-	6.2	4.50*									

R97R57, n <sub>e</sub> =1700 rpm					26500 lb-in					
n <sub>a</sub> rpm	T <sub>amax</sub> lb-in	F <sub>Ra</sub> lb	φ <sub>(/R)</sub> °	i	DR63S DRS71S DRS71M	DRN80M DRN90S	DRN90L	DRN100LM DRN100L	DRN112M	DRN132S DRN132M
						 3  3				
0.08	26500	4450	-	21769						
0.09	26500	4450	-	19332						
0.10	26500	4450	-	17230						
0.11	26500	4450	-	14999						
0.13	26500	4450	-	13320						
0.15	26500	4450	-	11156						
0.17	26500	4450	-	10030						
0.20	26500	4450	-	8706						
0.22	26500	4450	-	7692						
0.25	26500	4450	-	6708						
0.29	26500	4450	-	5931						
0.33	26500	4450	-	5161						
0.37	26500	4450	-	4559						
0.42	26500	4450	-	4004						
0.49	26500	4450	-	3481						
						 2  3				
0.36	26500	4450	-	4678						
0.39	26500	4450	-	4309						
0.46	26500	4450	-	3702						
0.56	26500	4450	-	3019						
0.64	26500	4450	-	2668						
0.76	26500	4450	-	2245						
0.84	26500	4450	-	2016						
0.98	26500	4450	-	1733						
1.0	26500	4450	-	1623						
1.2	26500	4450	-	1434						
1.4	26500	4450	-	1207						
1.6	26500	4450	-	1084						
1.8	26500	4450	-	934						
1.9	26500	4450	-	878						
2.3	26500	4450	-	755						
						 3  2				
0.55	26500	4450	-	3065						
0.62	26500	4450	-	2722						
0.74	26500	4450	-	2311						
0.82	26500	4450	-	2078						
0.93	26500	4450	-	1823						
1.1	26500	4450	-	1583						
1.2	26500	4450	-	1396						
1.4	26500	4450	-	1228						
1.6	26500	4450	-	1069						
1.8	26500	4450	-	938						
2.1	26500	4450	-	824						
2.3	26500	4450	-	737						
2.7	26500	4450	-	632						
3.0	26500	4450	-	560						
3.5	26500	4450	-	484						
3.9	26500	4450	-	431						
4.5	26500	4450	-	379						

21933480/EN-US - 04/2018

R97R57, $n_e=1700$ rpm					26500 lb-in					
$n_a$ rpm	$T_{amax}$ lb-in	$F_{Ra}$ lb	$\Phi_{(R)}$ °	i	DR63S DRS71S DRS71M	DRN80M DRN90S	DRN90L	DRN100LM DRN100L	DRN112M	DRN132S DRN132M
5.1	26500	4450	-	336						
5.7	26500	4450	-	296						
6.8	26500	4450	-	249						
7.3	26500	4450	-	234						
8.1	26500	4450	-	209						
 2  2										
2.7	26500	4450	-	625						
3.1	26500	4450	-	549						
3.6	26500	4450	-	466						
4.0	26500	4450	-	420						
4.6	26500	4450	-	370						
4.9	26500	4450	-	349						
5.7	26500	4450	-	297						
6.3	26500	4450	-	270						
7.5	26500	4450	-	227						

R107, $n_e=1700$ rpm					38000 lb-in					
$n_a$ rpm	$T_{amax}$ lb-in	$F_{Ra}$ lb	$\Phi_{(R)}$ °	i	DRN100LM DRN100L	DRN112M	DRN132S DRN132M	DRN132L DRN160M DRN160L	DRN180M DRN180L	DRN200L DRN225S DRN225M
 3										
6.8	38000	6620	7	251.15						
7.4	38000	6620	7	229.95						
8.4	38000	6620	7	203.16						
9.9	38000	6620	7	172.34						
11	38000	6620	7	158.68						
12	38000	6620	7	141.83						
13	38000	6620	7	127.68						
15	38000	6620	7	115.63						
17	38000	6620	7	102.53						
18	38000	6620	7	92.70						
22	38000	6520	7.1	78.57						
23	38000	6320	7.3	72.88						
26	38000	6050	7.3	65.60*						
29	38000	5800	7.4	59.41						
32	38000	5510	7.4	52.68						
36	38000	5280	7.4	47.63						
42	38000	4910	7.4	40.37*						
48	38000	4620	7.4	35.26						
58	38000	4260	7.5	29.49						
 2										
55	38000	4340	6.7	30.77						
62	38000	4130	6.8	27.58						
68	38000	3940	6.8	24.90*						
75	38000	3760	6.9	22.62						
85	38000	3550	6.9	20.07						
93	38000	3390	6.8	18.21						
109	38000	3140	6.9	15.65						
124	38000	2930	6.9	13.66						
147	38000	2690	7	11.59						
168	38000	2500	7.1	10.13						

R107, n <sub>e</sub> =1700 rpm					38000 lb-in					
n <sub>a</sub> rpm	T <sub>amax</sub> lb-in	F <sub>Ra</sub> lb	φ <sub>(/R)</sub> °	i	DRN100LM DRN100L	DRN112M	DRN132S DRN132M	DRN132L DRN160M DRN160L	DRN180M DRN180L	DRN200L DRN225S DRN225M
199	38000	2280	7.2	8.56						
216	26200	2840	8.8	7.86						
255	26200	2640	8.9	6.66						
292	26200	2480	9	5.82						
346	25600	2320	9.3	4.92						

R107R77, n <sub>e</sub> =1700 rpm					38000 lb-in						
n <sub>a</sub> rpm	T <sub>amax</sub> lb-in	F <sub>Ra</sub> lb	φ <sub>(/R)</sub> °	i	DR63S DRS71S DRS71M	DRN80M DRN90S	DRN90L	DRN100LM DRN100L	DRN112M	DRN132S DRN132M	DRN132L DRN160M DRN160L
 3  3											
0.08	38000	6620	-	20018							
0.10	38000	6620	-	17080							
0.11	38000	6620	-	14936							
0.13	38000	6620	-	12829							
0.15	38000	6620	-	11256							
0.18	38000	6620	-	9547							
0.20	38000	6620	-	8618							
0.22	38000	6620	-	7583							
0.25	38000	6620	-	6743							
0.29	38000	6620	-	5914							
0.33	38000	6620	-	5168							
0.38	38000	6620	-	4435							
0.44	38000	6620	-	3896							
0.50	38000	6620	-	3432							
0.56	38000	6620	-	3039							
0.63	38000	6620	-	2688							
0.73	38000	6620	-	2339							
 2  3											
0.43	38000	6620	-	3918							
0.51	38000	6620	-	3343							
0.56	38000	6620	-	3034							
0.64	38000	6620	-	2653							
0.75	38000	6620	-	2280							
0.82	38000	6620	-	2067							
1.0	38000	6620	-	1693							
1.1	38000	6620	-	1550							
1.2	38000	6620	-	1407							
1.4	38000	6620	-	1209							
1.6	38000	6620	-	1055							
1.8	38000	6620	-	919							
2.1	38000	6620	-	815							
2.4	38000	6620	-	717							
2.7	38000	6620	-	626							
3.2	38000	6620	-	528							
 3  2											
0.86	38000	6620	-	1987							
0.93	38000	6620	-	1827							
1.1	38000	6620	-	1599							
1.2	38000	6620	-	1400*							
1.4	38000	6620	-	1226							

21933480/EN-US - 04/2018

R107R77, n <sub>e</sub> =1700 rpm					38000 lb-in							
n <sub>a</sub> rpm	T <sub>amax</sub> lb-in	F <sub>Ra</sub> lb	Φ <sub>(/R)</sub> °	i	DR63S DRS71S DRS71M	DRN80M DRN90S	DRN90L	DRN100LM DRN100L	DRN112M	DRN132S DRN132M	DRN132L DRN160M DRN160L	
1.5	38000	6620	-	1104								
1.8	38000	6620	-	939								
2.1	38000	6620	-	822								
2.8	38000	6620	-	614								
3.1	38000	6620	-	544								
3.5	38000	6620	-	492								
4.1	38000	6620	-	417								
4.6	38000	6620	-	369								
5.3	38000	6620	-	323								
6.0	38000	6620	-	285								
6.7	38000	6620	-	253								
7.9	38000	6620	-	214*								
9.1	38000	6620	-	187								
 2  2												
3.6	38000	6620	-	469								
4.0	38000	6620	-	426								
4.5	38000	6620	-	377								
5.2	38000	6620	-	325								
6.0	38000	6620	-	284								
6.6	38000	6620	-	256								
7.7	38000	6620	-	220								
8.8	38000	6620	-	193								
9.9	38000	6620	-	172								

R127, n <sub>e</sub> =1700 rpm					53000 lb-in							
n <sub>a</sub> rpm	T <sub>amax</sub> lb-in	F <sub>Ra</sub> lb	Φ <sub>(/R)</sub> °	i	DRN100LM DRN100L	DRN112M	DRN132S DRN132M	DRN132L DRN160M DRN160L	DRN180M DRN180L	DRN200L DRN225S DRN225M	DRN250ME	
 3												
6.5	53000	-	6	262.65								
7.1	53000	-	6	240.48								
8.0	53000	-	6	212.46								
9.4	53000	-	6	180.23								
10	53000	-	6	165.95								
11	53000	-	6	148.33								
13	53000	-	6	133.53								
14	53000	-	6	120.92								
16	53000	-	6	107.23								
18	53000	-	6	96.95								
20	53000	-	7	85.26								
21	53000	-	6	82.17								
22	53000	-	7	76.21								
25	53000	-	7	68.61								
27	53000	-	7	62.13								
31	53000	-	7	55.09								
34	53000	-	7	49.81								
40	53000	-	7	42.22								
46	50600	-	7	36.88								
55	47600	-	7	30.84								

R127, n <sub>e</sub> =1700 rpm					53000 lb-in						
n <sub>a</sub> rpm	T <sub>amax</sub> lb-in	F <sub>Ra</sub> lb	φ <sub>(/R)</sub> °	i	DRN100LM DRN100L	DRN112M	DRN132S DRN132M	DRN132L DRN160M DRN160L	DRN180M DRN180L	DRN200L DRN225S DRN225M	DRN250ME
 2											
53	53000	-	6	32.18							
59	53000	-	6	28.84							
65	53000	-	6	26.04							
72	53000	-	6	23.65							
81	53000	-	6	20.98							
89	53000	-	6	19.04							
104	53000	-	6	16.37							
119	53000	-	6	14.29							
140	52500	-	6	12.12							
161	50400	-	6	10.59							
190	47900	-	7	8.96							
192	34700	-	8	8.85							
226	34700	-	8	7.51							
259	34700	-	8	6.56							
306	34700	-	8	5.55							

8

R127R77, n <sub>e</sub> =1700 rpm					53000 lb-in						
n <sub>a</sub> rpm	T <sub>amax</sub> lb-in	F <sub>Ra</sub> lb	φ <sub>(/R)</sub> °	i	DR63S DRS71S DRS71M	DRN80M DRN90S	DRN90L	DRN100LM DRN100L	DRN112M	DRN132S DRN132M	DRN132L DRN160M DRN160L
 3											
0.08	53000	-	-	20936							
0.10	53000	-	-	17863							
0.11	53000	-	-	15620							
0.12	53000	-	-	14123							
0.13	53000	-	-	13417							
0.14	53000	-	-	11772							
0.17	53000	-	-	9985							
0.19	53000	-	-	9013							
0.19	53000	-	-	8771							
0.21	53000	-	-	8282							
0.22	53000	-	-	7639							
0.24	53000	-	-	7053							
0.25	53000	-	-	6722							
0.27	53000	-	-	6347							
0.27	53000	-	-	6185							
0.30	53000	-	-	5592							
0.36	53000	-	-	4740							
0.38	53000	-	-	4441							
0.43	53000	-	-	3949							
0.45	53000	-	-	3764							
0.48	53000	-	-	3571							
0.55	53000	-	-	3110							
0.60	53000	-	-	2812							
0.71	53000	-	-	2383							
0.88	53000	-	-	1934							
0.93	53000	-	-	1835							
1.1	53000	-	-	1555							
1.2	53000	-	-	1444							
1.4	53000	-	-	1224							

21933480/EN-US - 04/2018

R127R77, n <sub>e</sub> =1700 rpm					53000 lb-in						
n <sub>a</sub> rpm	T <sub>amax</sub> lb-in	F <sub>Ra</sub> lb	Φ <sub>(/R)</sub>	i	DR63S DRS71S DRS71M	DRN80M DRN90S	DRN90L	DRN100LM DRN100L	DRN112M	DRN132S DRN132M	DRN132L DRN160M DRN160L
 2 											
0.49	53000	-	-	3495							
0.56	53000	-	-	3056							
0.59	53000	-	-	2903							
0.67	53000	-	-	2547							
0.79	53000	-	-	2161							
0.87	53000	-	-	1951							
0.99	53000	-	-	1716							
1.0	53000	-	-	1620							
1.2	53000	-	-	1380							
1.4	53000	-	-	1210							
1.8	53000	-	-	961							
2.2	53000	-	-	773							
2.8	53000	-	-	608							
 3 											
0.68	53000	-	-	2506							
0.75	53000	-	-	2266							
0.84	53000	-	-	2016							
0.89	53000	-	-	1920							
0.93	53000	-	-	1823							
1.0	53000	-	-	1673							
1.1	53000	-	-	1545							
1.1	53000	-	-	1512							
1.3	53000	-	-	1322							
1.3	53000	-	-	1282							
1.4	53000	-	-	1195							
1.5	53000	-	-	1164							
1.6	53000	-	-	1034							
1.7	53000	-	-	1013							
1.7	53000	-	-	987							
1.8	53000	-	-	936							
1.8	53000	-	-	935							
2.0	53000	-	-	830							
2.1	53000	-	-	794							
2.1	53000	-	-	792							
2.2	53000	-	-	777							
2.3	53000	-	-	750							
2.6	53000	-	-	659							
2.6	53000	-	-	642							
2.7	53000	-	-	636							
2.8	53000	-	-	614							
2.9	53000	-	-	581							
3.3	53000	-	-	521							
3.5	53000	-	-	492							
3.5	53000	-	-	480							
4.2	53000	-	-	407							
4.4	53000	-	-	386							
5.7	53000	-	-	298							
6.7	53000	-	-	253							

R127R77, n <sub>e</sub> =1700 rpm					53000 lb-in						
n <sub>a</sub> rpm	T <sub>amax</sub> lb-in	F <sub>Ra</sub> lb	φ <sub>(/R)</sub> °	i	DR63S DRS71S DRS71M	DRN80M DRN90S	DRN90L	DRN100LM DRN100L	DRN112M	DRN132S DRN132M	DRN132L DRN160M DRN160L
2  2											
3.5	53000	-	-	490							
4.3	53000	-	-	394							
5.2	53000	-	-	327							
6.6	53000	-	-	259							
8.4	53000	-	-	202							
10	53000	-	-	162							
13	53000	-	-	126							

8

R137, n <sub>e</sub> =1700 rpm					70700 lb-in				
n <sub>a</sub> rpm	T <sub>amax</sub> lb-in	F <sub>Ra</sub> lb	φ <sub>(/R)</sub> °	i	DRN132S DRN132M	DRN132L DRN160M DRN160L	DRN180M DRN180L	DRN200L DRN225S DRN225M	DRN250ME DRN280S DRN280M
3									
7.6	70700	12000	6	222.60*					
9.0	70700	12000	6	188.45					
9.7	70700	12000	6.1	174.40*					
11	70700	12000	6.1	156.31					
12	70700	12000	6.1	141.12*					
13	70700	12000	6.1	128.18					
15	70700	12000	6.1	113.72					
16	70700	12000	6.1	103.20*					
19	70700	12000	6.1	88.70*					
21	70700	12000	6.4	80.91*					
23	70700	12000	6.4	73.49					
26	70700	12000	6.4	65.20					
29	70700	12000	6.4	59.17*					
33	70700	12000	6.4	50.86*					
38	70700	12000	6.4	44.39					
45	70700	12000	6.4	37.65					
52	70700	11800	6.5	32.91					
61	67900	11100	6.5	27.83					
2									
57	68800	11400	5.7	29.57*					
70	70700	10000	5.8	24.12					
77	70700	9520	5.8	22.00*					
89	70700	8770	5.9	19.04*					
101	70700	8150	5.9	16.80*					
117	70700	7450	5.9	14.51					
133	70700	6890	6	12.83					
158	70700	6130	6.1	10.79					
195	69300	5410	6.1	8.71					
224	45200	8000	8	7.59					
266	45200	7340	8.2	6.38					
330	40700	7070	8.2	5.15					

21933480/EN-US - 04/2018

R137R77, n <sub>e</sub> =1700 rpm					70700 lb-in						
n <sub>a</sub> rpm	T <sub>amax</sub> lb-in	F <sub>Ra</sub> lb	φ <sub>(/R)</sub> °	i	DR63S DRS71S DRS71M	DRN80M DRN90S	DRN90L	DRN100LM DRN100L	DRN112M	DRN132S DRN132M	DRN132L DRN160M DRN160L
 3  3											
0.08	70700	12000	-	22203*							
0.09	70700	12000	-	18945							
0.10	70700	12000	-	16566							
0.12	70700	12000	-	14777							
0.13	70700	12000	-	12921							
0.15	70700	12000	-	11712							
0.16	70700	12000	-	10573*							
0.19	70700	12000	-	8784							
0.23	70700	12000	-	7479							
0.26	70700	12000	-	6559							
0.29	70700	12000	-	5834							
0.33	70700	12000	-	5116							
0.38	70700	12000	-	4464							
0.43	70700	12000	-	3928*							
0.49	70700	12000	-	3454							
0.57	70700	12000	-	2993							
 2  3											
0.36	70700	12000	-	4709*							
0.42	70700	12000	-	4018							
0.48	70700	12000	-	3514							
0.51	70700	12000	-	3338							
0.58	70700	12000	-	2929							
0.68	70700	12000	-	2484							
0.76	70700	12000	-	2242*							
0.91	70700	12000	-	1863							
1.1	70700	12000	-	1586							
1.2	70700	12000	-	1391							
1.4	70700	12000	-	1256							
1.5	70700	12000	-	1105							
1.6	70700	12000	-	1043							
1.9	70700	12000	-	888							
2.4	70700	12000	-	699							
2.8	70700	12000	-	609							
 3  2											
0.64	70700	12000	-	2658							
0.70	70700	12000	-	2412							
0.82	70700	12000	-	2073*							
0.92	70700	12000	-	1839*							
1.1	70700	12000	-	1598							
1.2	70700	12000	-	1397							
1.4	70700	12000	-	1226*							
1.6	70700	12000	-	1090*							
1.8	70700	12000	-	951							
2.0	70700	12000	-	831							
2.3	70700	12000	-	730							
2.7	70700	12000	-	629							
3.0	70700	12000	-	560							
3.5	70700	12000	-	490*							
4.0	70700	12000	-	428							

R137R77, n <sub>e</sub> =1700 rpm					70700 lb-in						
n <sub>a</sub> rpm	T <sub>amax</sub> lb-in	F <sub>Ra</sub> lb	φ <sub>(/R)</sub> °	i	DR63S DRS71S DRS71M	DRN80M DRN90S	DRN90L	DRN100LM DRN100L	DRN112M	DRN132S DRN132M	DRN132L DRN160M DRN160L
4.5	70700	12000	-	381							
5.3	70700	12000	-	323							
5.8	70700	12000	-	291							
6.7	70700	12000	-	255*							
7.6	70700	12000	-	223							
8.6	70700	12000	-	197*							
9.7	70700	12000	-	175							
 2  2											
3.0	70700	12000	-	564							
3.3	70700	12000	-	517							
3.8	70700	12000	-	453*							
4.5	70700	12000	-	376							
5.0	70700	12000	-	339							
5.7	70700	12000	-	297							

8

R147, n <sub>e</sub> =1700 rpm					115000 lb-in			
n <sub>a</sub> rpm	T <sub>amax</sub> lb-in	F <sub>Ra</sub> lb	φ <sub>(/R)</sub> °	i	DRN132L DRN160M DRN160L	DRN180M DRN180L	DRN200L DRN225S DRN225M	DRN250ME DRN280S DRN280M
 3								
10	115000	14100	5.5	163.31				
12	115000	14100	5.5	146.91				
14	115000	14100	5.5	119.86				
16	115000	14100	5.5	109.31				
18	115000	14100	5.5	94.60*				
20	115000	14100	5.5	83.47				
24	115000	14100	5.5	72.09				
25	115000	14100	5.8	66.99				
28	115000	14100	5.8	61.09				
32	115000	14100	5.8	52.87				
36	115000	14100	5.8	46.65				
42	115000	14100	5.8	40.29				
48	115000	14100	5.9	35.64				
57	115000	14100	5.9	29.95				
70	105200	14500	5.9	24.19				
 2								
83	106100	14500	5.2	20.44				
94	92900	15100	5.3	18.04				
109	115000	14100	5.3	15.64				
122	111400	13500	5.3	13.91				
142	115000	12300	5.4	11.99				
175	115000	11000	5.5	9.74				
206	115000	10100	5.6	8.26				
234	76700	12000	7.5	7.25				
289	76700	10900	7.6	5.89				
340	76700	10100	7.8	5.00				

21933480/EN-US - 04/2018

R147R77, $n_e=1700$ rpm					115000 lb-in						
$n_a$ rpm	$T_{amax}$ lb-in	$F_{Ra}$ lb	$\Phi_{(R)}$ '	$i$	DR63S DRS71S DRS71M	DRN80M DRN90S	DRN90L	DRN100LM DRN100L	DRN112M	DRN132S DRN132M	DRN132L DRN160M DRN160L
					 3  3						
0.07	115000	14100	-	23401							
0.08	115000	14100	-	21342							
0.09	115000	14100	-	18210							
0.11	115000	14100	-	15923							
0.12	115000	14100	-	14075							
0.14	115000	14100	-	12344							
0.15	115000	14100	-	11143							
0.17	115000	14100	-	9743							
0.20	115000	14100	-	8443							
0.23	115000	14100	-	7307							
0.26	115000	14100	-	6447							
0.31	115000	14100	-	5568							
0.35	115000	14100	-	4926							
0.39	115000	14100	-	4325							
0.45	115000	14100	-	3754							
0.51	115000	14100	-	3302							
0.59	115000	14100	-	2898							
					 3  2						
0.67	115000	14100	-	2555							
0.77	115000	14100	-	2211							
0.87	115000	14100	-	1951							
1.00	115000	14100	-	1705							
1.1	115000	14100	-	1536							
1.3	115000	14100	-	1329							
1.5	115000	14100	-	1166							
1.7	115000	14100	-	1029							
1.9	115000	14100	-	889							
2.2	115000	14100	-	784							
2.4	115000	14100	-	695							
2.7	115000	14100	-	619							
3.0	115000	14100	-	558							
3.5	115000	14100	-	489							
4.1	115000	14100	-	415							

R147R87, $n_e=1700$ rpm					115000 lb-in							
$n_a$ rpm	$T_{amax}$ lb-in	$F_{Ra}$ lb	$\Phi_{(R)}$ '	$i$	DRN80M DRN90S	DRN90L	DRN100LM DRN100L	DRN112M	DRN132S DRN132M	DRN132L DRN160M DRN160L	DRN180M DRN180L	DRN200L
					 3  2							
3.2	115000	14100	-	533								
3.7	115000	14100	-	462								
4.0	115000	14100	-	426								
4.6	115000	14100	-	368								
5.2	115000	14100	-	326								
6.1	115000	14100	-	280								
6.9	115000	14100	-	247								
7.9	115000	14100	-	214								
9.0	115000	14100	-	189								
11	115000	14100	-	159								

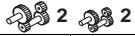
R167, n <sub>e</sub> =1700 rpm					159200 lb-in					
n <sub>a</sub> rpm	T <sub>amax</sub> lb-in	F <sub>Ra</sub> lb	Φ <sub>(/R)</sub> °	i	DRN132L DRN160M DRN160L	DRN180M DRN180L	DRN200L DRN225S DRN225M	DRN250ME DRN280S DRN280M	DRN315S DRN315ME	DRN315L DRN315H
 3										
7.4	159200	27000	5.2	229.71						
9.1	159200	27000	5.2	186.93*						
11	159200	27000	5.2	153.07						
12	159200	27000	5.2	139.98						
14	159200	27000	5.2	121.81*						
16	159200	27000	5.2	107.49						
18	159200	27000	5.2	93.19						
21	159200	27000	5.2	82.91*						
23	159200	27000	5.6	73.70*						
25	159200	27000	5.6	67.40						
29	159200	27000	5.6	58.65						
33	159200	27000	5.6	51.76						
38	159200	27000	5.6	44.87						
43	159200	27000	5.6	39.92						
49	159200	27000	5.6	34.41						
61	159200	25900	5.7	27.96						
72	159200	24100	5.7	23.71						
 2										
37	61900	27000	5	46.00						
45	79600	27000	5	37.74						
55	88400	27000	5	30.71						
69	123800	26900	5.1	24.57						
78	115000	26300	5.1	21.85						
89	141500	23100	5.1	19.03						
100	132700	22600	5.1	16.98						
117	159200	19300	5.2	14.48						
142	150400	18200	5.3	11.99						
166	150400	16900	5.3	10.24						

R167R97, n <sub>e</sub> =1700 rpm					159200 lb-in								
n <sub>a</sub> rpm	T <sub>amax</sub> lb-in	F <sub>Ra</sub> lb	Φ <sub>(/R)</sub> °	i	DRS71M	DRN80M DRN90S	DRN90L	DRN100LM DRN100L	DRN112M	DRN132S DRN132M	DRN132L DRN160M DRN160L	DRN180M DRN180L	DRN200L DRN225S
 3  3													
0.06	159200	27000	-	27001									
0.08	159200	27000	-	22482									
0.08	159200	27000	-	20002*									
0.10	159200	27000	-	17361									
0.11	159200	27000	-	15446									
0.12	159200	27000	-	14051									
0.14	159200	27000	-	11812									
0.16	159200	27000	-	10509									
0.18	159200	27000	-	9631									
0.22	159200	27000	-	7749									
0.25	159200	27000	-	6894									
0.28	159200	27000	-	6077									
0.31	159200	27000	-	5407									
0.37	159200	27000	-	4650									
0.41	159200	27000	-	4129									
0.46	159200	27000	-	3692									

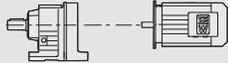
21933480/EN-US - 04/2018

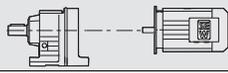
R167R97, $n_e=1700$ rpm										159200 lb-in			
$n_a$ rpm	$T_{amax}$ lb-in	$F_{Ra}$ lb	$\varphi_{(R)}$ °	$i$	DRS71M	DRN80M DRN90S	DRN90L	DRN100LM DRN100L	DRN112M	DRN132S DRN132M	DRN132L DRN160M DRN160L	DRN180M DRN180L	DRN200L DRN225S
0.55	159200	27000	-	3099									
 3  2													
0.64	159200	27000	-	2657*									
0.73	159200	27000	-	2333									
0.82	159200	27000	-	2085									
0.91	159200	27000	-	1877									
1.0	159200	27000	-	1670*									
1.2	159200	27000	-	1438									
1.3	159200	27000	-	1279									
1.5	159200	27000	-	1123									
1.7	159200	27000	-	999									
2.0	159200	27000	-	861									
2.2	159200	27000	-	760									
2.6	159200	27000	-	656									
2.9	159200	27000	-	579									
3.4	159200	27000	-	503									
3.9	159200	27000	-	432									
4.5	159200	27000	-	376									
5.1	159200	27000	-	335									
5.6	159200	27000	-	303									
6.1	159200	27000	-	279									

R167R107, $n_e=1700$ rpm										159200 lb-in			
$n_a$ rpm	$T_{amax}$ lb-in	$F_{Ra}$ lb	$\varphi_{(R)}$ °	$i$	DRN100LM DRN100L	DRN112M	DRN132S DRN132M	DRN132L DRN160M DRN160L	DRN180M DRN180L	DRN200L DRN225S DRN225M	DRN250ME		
 2  3													
0.47	159200	27000	-	3637									
0.51	159200	27000	-	3330									
0.62	159200	27000	-	2757									
0.70	159200	27000	-	2436									
0.74	159200	27000	-	2298									
0.82	159200	27000	-	2066									
0.92	159200	27000	-	1849									
1.0	159200	27000	-	1674									
1.1	159200	27000	-	1485									
1.3	159200	27000	-	1342									
1.4	159200	27000	-	1229									
1.5	159200	27000	-	1111									
1.8	159200	27000	-	950									
2.0	159200	27000	-	860									
2.2	159200	27000	-	763									
2.5	159200	27000	-	690									
2.9	159200	27000	-	585									
3.3	159200	27000	-	511									
 3  2													
4.9	159200	27000	-	349									
5.8	159200	27000	-	295									
6.3	159200	27000	-	270									
7.4	159200	27000	-	229									
8.5	159200	27000	-	200									

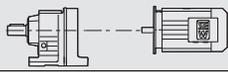
R167R107, n <sub>e</sub> =1700 rpm					159200 lb-in						
n <sub>a</sub> rpm	T <sub>amax</sub> lb-in	F <sub>Ra</sub> lb	φ <sub>(/R)</sub> '	i	DRN100LM DRN100L	DRN112M	DRN132S DRN132M	DRN132L DRN160M DRN160L	DRN180M DRN180L	DRN200L DRN225S DRN225M	DRN250ME
10	159200	27000	-	169							
											
3.8	159200	27000	-	446							
4.3	159200	27000	-	399							
4.7	159200	27000	-	361							
5.2	159200	27000	-	328							
5.8	159200	27000	-	291							
6.4	159200	27000	-	264							
7.5	159200	27000	-	227							
8.6	159200	27000	-	198							
10	159200	27000	-	168							

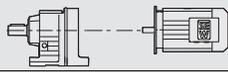
## 8.3 R.. DRS/DRN.. Selections by HP

<b>P<sub>m</sub> = 0.16 HP</b>											
<b>n<sub>a</sub></b> rpm	<b>T<sub>a</sub></b> lb-in	<b>i</b> ratio	<b>F<sub>Ra</sub><sup>1)</sup></b> lb	<b>SEW SF</b> <b>f<sub>B</sub></b>	<b>HazLoc</b> <b>-NA<sup>®</sup></b>			<b>m</b> lbs			
0.08	90900	21342	15100	1.25							
0.09	77600	18210	15600	1.50							
0.11	67800	15923	15900	1.70							
0.12	60000	14075	16100	1.90							
0.14	51500	12344	16300	2.2		R	147R77	DR	63S4	930	342/346
0.15	45000	11143	16400	2.6		RF	147R77	DR	63S4	950	343/346
0.17	40600	9743	16400	2.8		RM	147R77	DR	63S4	1310	343/346
0.20	31500	8443	16600	3.6							
0.23	27300	7307	16600	4.2							
0.26	24100	6447	16700	4.8							
0.30	20800	5568	16700	5.5							
0.13	55000	12921	12700	1.30							
0.14	48800	11712	13000	1.45							
0.16	42600	10573	13200	1.65							
0.19	32800	8784	13400	2.1		R	137R77	DR	63S4	640	340/346
0.22	26200	7479	13600	2.7		RF	137R77	DR	63S4	690	341/346
0.26	27300	6559	13500	2.6		RM	137R77	DR	63S4	930	341/346
0.29	20400	5834	13700	3.5							
0.33	21300	5116	13600	3.3							
0.14	50100	11772	9660	1.05							
0.17	41600	9985	9660	1.25							
0.19	36400	9013	9660	1.45							
0.19	33500	8771	9660	1.60							
0.20	30900	8282	9660	1.70							
0.22	30800	7639	9660	1.70							
0.24	24700	7053	9660	2.1							
0.25	25700	6722	9660	2.1		R	127R77	DR	63S4	570	338/346
0.26	23700	6347	9660	2.2		RF	127R77	DR	63S4	590	339/346
0.27	25800	6185	9660	2.1		RM	127R77	DR	63S4	810	339/346
0.30	23300	5592	9660	2.3							
0.35	19700	4740	9660	2.7							
0.38	17000	4441	9660	3.1							
0.43	13800	3949	9660	3.8							
0.45	14400	3764	9660	3.7							
0.47	12500	3571	9660	4.2							
0.54	9600	3110	9660	5.5							
0.48	15000	3495	9660	3.5		R	127R77	DR	63S4	530	338/346
0.55	13100	3056	9660	4.0		RF	127R77	DR	63S4	580	339/346
0.58	12500	2903	9660	4.2		RM	127R77	DR	63S4	790	339/346
0.66	10900	2547	9660	4.8							
0.67	10500	2506	9660	5.0		R	127R77	DR	63S4	570	338/346
						RF	127R77	DR	63S4	590	339/346
						RM	127R77	DR	63S4	800	339/346
0.22	29000	7583	7640	1.30							
0.25	23600	6743	8070	1.60							
0.28	24600	5914	8000	1.55		R	107R77	DR	63S4	445	336/346
0.33	18100	5168	8250	2.1		RF	107R77	DR	63S4	460	337/346
0.38	16600	4435	8290	2.3		RM	107R77	DR	63S4	650	337/346
0.43	14900	3896	8330	2.5							
0.55	12600	3039	8380	3.0							
0.43	16900	3918	8280	2.2							
0.50	14400	3343	8340	2.6		R	107R77	DR	63S4	430	336/346
0.55	13000	3034	8370	2.9		RF	107R77	DR	63S4	445	337/346
0.63	11400	2653	8400	3.3		RM	107R77	DR	63S4	640	337/346
0.74	9830	2280	8430	3.9							
0.81	8730	2067	8440	4.4							
0.37	21100	4559	5540	1.25		R	97R57	DR	63S4	285	334/346
0.42	17400	4004	5650	1.50		RF	97R57	DR	63S4	320	335/346
0.48	15500	3481	6120	1.70		RM	97R57	DR	63S4	435	335/346

<b>P<sub>m</sub> = 0.16 HP</b>											
<b>n<sub>a</sub></b> rpm	<b>T<sub>a</sub></b> lb-in	<b>i</b> ratio	<b>F<sub>Ra</sub><sup>1)</sup></b> lb	<b>SEW SF</b> f <sub>B</sub>	<b>HazLoc</b> -NA <sup>®</sup>			<b>m</b> lbs			
0.36	22700	4678	5330	1.15							
0.39	20900	4309	5570	1.25							
0.45	17900	3702	5900	1.50							
0.56	14400	3019	6170	1.85		<b>R</b>	<b>97R57</b>	<b>DR</b>	<b>63S4</b>	275	334/346
0.63	12500	2668	6240	2.1		<b>RF</b>	<b>97R57</b>	<b>DR</b>	<b>63S4</b>	315	335/346
0.75	10100	2245	6310	2.6		<b>RM</b>	<b>97R57</b>	<b>DR</b>	<b>63S4</b>	430	335/346
0.83	8910	2016	6340	3.0							
0.97	8390	1733	6350	3.2							
0.55	14800	3065	6150	1.80							
0.62	13100	2722	6220	2.0							
0.73	11000	2311	6280	2.4		<b>R</b>	<b>97R57</b>	<b>DR</b>	<b>63S4</b>	280	334/346
0.81	9960	2078	6310	2.7		<b>RF</b>	<b>97R57</b>	<b>DR</b>	<b>63S4</b>	320	335/346
0.92	8550	1823	6350	3.1		<b>RM</b>	<b>97R57</b>	<b>DR</b>	<b>63S4</b>	430	335/346
1.1	7420	1583	6370	3.6							
1.2	6170	1396	6390	4.3							
1.4	5230	1228	6410	5.1							
0.58	11800	2873	3490	1.15		<b>R</b>	<b>87R57</b>	<b>DR</b>	<b>63S4</b>	190	331/346
0.86	8980	1961	4440	1.55		<b>RF</b>	<b>87R57</b>	<b>DR</b>	<b>63S4</b>	205	332/346
						<b>RM</b>	<b>87R57</b>	<b>DR</b>	<b>63S4</b>	270	332/346
0.65	12400	2595	4010	1.10		<b>R</b>	<b>87R57</b>	<b>DR</b>	<b>63S4</b>	185	331/346
0.79	9870	2129	4350	1.40		<b>RF</b>	<b>87R57</b>	<b>DR</b>	<b>63S4</b>	205	332/346
0.87	8740	1930	4470	1.55		<b>RM</b>	<b>87R57</b>	<b>DR</b>	<b>63S4</b>	270	332/346
0.97	7660	1733	4490	1.80							
0.97	7870	1737	4490	1.75							
1.1	6900	1524	4490	2.0							
1.3	5450	1303	4490	2.5		<b>R</b>	<b>87R57</b>	<b>DR</b>	<b>63S4</b>	190	331/346
1.5	4780	1143	4490	2.9		<b>RF</b>	<b>87R57</b>	<b>DR</b>	<b>63S4</b>	205	332/346
1.9	4010	885	4490	3.4		<b>RM</b>	<b>87R57</b>	<b>DR</b>	<b>63S4</b>	270	332/346
2.2	3510	776	4490	3.9							
2.5	3100	685	4490	4.4							
2.8	2390	599	4490	5.7							
1.3	6620	1303	2370	1.10		<b>R</b>	<b>77R37</b>	<b>DR</b>	<b>63S4</b>	100	328/346
1.5	5610	1124	2550	1.30		<b>RF</b>	<b>77R37</b>	<b>DR</b>	<b>63S4</b>	110	329/346
1.6	5190	1047	2610	1.40		<b>RM</b>	<b>77R37</b>	<b>DR</b>	<b>63S4</b>	165	329/346
1.8	4460	915	2710	1.65							
1.4	5670	1218	2540	1.30							
1.6	5140	1084	2620	1.40		<b>R</b>	<b>77R37</b>	<b>DR</b>	<b>63S4</b>	100	328/346
1.8	4650	940	2690	1.55		<b>RF</b>	<b>77R37</b>	<b>DR</b>	<b>63S4</b>	115	329/346
2.0	3540	821	2810	2.0		<b>RM</b>	<b>77R37</b>	<b>DR</b>	<b>63S4</b>	170	329/346
2.3	3260	731	2830	2.2							
2.6	3230	646	2830	2.2							
3.2	2670	520	2870	2.7		<b>R</b>	<b>77R37</b>	<b>DR</b>	<b>63S4</b>	99	328/346
3.7	2280	451	2900	3.2		<b>RF</b>	<b>77R37</b>	<b>DR</b>	<b>63S4</b>	110	329/346
4.0	2110	422	2910	3.4		<b>RM</b>	<b>77R37</b>	<b>DR</b>	<b>63S4</b>	165	329/346
4.6	1790	365	2920	4.0							
1.9	4410	891	1930	1.20							
2.3	3520	730	2100	1.50		<b>R</b>	<b>67R37</b>	<b>DR</b>	<b>63S4</b>	88	325/346
2.6	3050	644	2170	1.75		<b>RF</b>	<b>67R37</b>	<b>DR</b>	<b>63S4</b>	95	326/346
2.9	2660	571	2220	2.0		<b>RM</b>	<b>67R37</b>	<b>DR</b>	<b>63S4</b>	130	326/346
3.5	2190	486	2270	2.4							
2.0	4140	836	1990	1.30							
2.2	3390	750	2120	1.55		<b>R</b>	<b>67R37</b>	<b>DR</b>	<b>63S4</b>	90	325/346
2.6	3060	646	2170	1.75		<b>RF</b>	<b>67R37</b>	<b>DR</b>	<b>63S4</b>	97	326/346
2.9	2790	574	2200	1.90		<b>RM</b>	<b>67R37</b>	<b>DR</b>	<b>63S4</b>	130	326/346
3.4	2410	495	2250	2.2							
3.8	1950	438	2290	2.7							
2.5	3150	678	1680	1.25							
2.8	2860	604	1700	1.40		<b>R</b>	<b>57R37</b>	<b>DR</b>	<b>63S4</b>	75	322/346
3.1	2610	537	1720	1.50		<b>RF</b>	<b>57R37</b>	<b>DR</b>	<b>63S4</b>	83	323/346
3.6	2290	471	1740	1.75		<b>RM</b>	<b>57R37</b>	<b>DR</b>	<b>63S4</b>	110	323/346
4.7	1690	357	1770	2.4							
5.3	1480	319	1780	2.7							

21933480/EN-US - 04/2018

<b>P<sub>m</sub> = 0.16 HP</b>										
<b>n<sub>a</sub></b> rpm	<b>T<sub>a</sub></b> lb-in	<b>i</b> ratio	<b>F<sub>Ra</sub><sup>1)</sup></b> lb	<b>SEW SF</b> f <sub>B</sub>	<b>HazLoc</b> -NA®		<b>m</b> lbs			
4.7	1810	359	1760	2.2						
5.2	1640	324	1770	2.4						
5.8	1430	290	1780	2.8	R	57R37	DR	63S4	73	322/346
6.4	1290	262	1780	3.1	RF	57R37	DR	63S4	81	323/346
6.8	1180	246	1790	3.4	RM	57R37	DR	63S4	105	323/346
7.6	1030	220	1790	3.8						
3.3	2370	510	1250	1.10						
3.9	1970	436	1300	1.35	R	47R37	DR	63S4	63	319/346
4.1	1820	408	1310	1.45	RF	47R37	DR	63S4	63	320/346
4.9	1480	344	1340	1.80						
3.9	2200	429	1270	1.20						
4.5	1880	372	1310	1.40						
4.8	1740	348	1320	1.50	R	47R37	DR	63S4	62	319/346
5.6	1480	301	1340	1.80	RF	47R37	DR	63S4	63	320/346
6.6	1220	255	1350	2.2						
7.4	1070	228	1360	2.5						
8.6	890	195	1370	3.0						
5.0	1560	338	1100	1.15						
5.7	1490	296	1150	1.20						
6.5	1290	259	1240	1.35	R	37R17	DR	63S4	38	316/346
7.4	1140	228	1270	1.55	RF	37R17	DR	63S4	41	317/346
8.4	980	199	1290	1.80						
9.8	860	172	1310	2.0						
5.1	1670	328	1020	1.05						
5.8	1430	289	1190	1.25						
6.3	1350	265	1220	1.30	R	37R17	DR	63S4	37	316/346
7.4	1080	226	1280	1.65	RF	37R17	DR	63S4	40	317/346
8.3	1000	202	1290	1.75						
9.4	870	179	1310	2.0						
8.4	960	200	900	1.20	R	27R17	DR	63S4	25	313/346
9.5	830	177	920	1.35	RF	27R17	DR	63S4	25	314/346
10	810	166	920	1.40						
7.4	1080	227	840	1.05						
8.3	1000	203	890	1.15	R	27R17	DR	63S4	24	313/346
9.4	870	179	910	1.30	RF	27R17	DR	63S4	24	314/346
11	725	156	930	1.60						
5.6	1780	195.24*	2920	4.1	R	77	DR	63M6	81	328
6.6	1520	166.59	2920	4.8	RF	77	DR	63M6	94	329
7.5	1330	145.67	2920	5.4	RM	77	DR	63M6	150	329
5.5	1830	199.81	2300	2.9						
6.0	1680	184.07	2310	3.1						
7.0	1440	158.14	2330	3.7	R	67	DR	63M6	66	325
8.0	1260	137.67	2340	4.2	RF	67	DR	63M6	73	326
8.5	1180	128.97	2340	4.5	RM	67	DR	63M6	110	326
9.7	1040	113.94	2350	5.1						
8.4	1190	199.81	2340	4.4	R	67	DR	63S4	66	325
9.1	1100	184.07	2340	4.8	RF	67	DR	63S4	73	326
					RM	67	DR	63S4	110	326
5.9	1710	186.89	1770	2.3						
6.4	1570	172.17	1770	2.5						
7.4	1350	147.92	1780	2.9	R	57	DR	63M6	51	322
8.5	1170	128.77	1790	3.4	RF	57	DR	63M6	59	323
9.1	1100	120.63	1790	3.6	RM	57	DR	63M6	85	323
10	970	106.58	1790	4.1						
11	900	98.99	1790	4.4						
9.0	1120	186.89	1790	3.5	R	57	DR	63S4	51	322
9.8	1030	172.17	1790	3.9	RF	57	DR	63S4	59	323
11	880	147.92	1790	4.5	RM	57	DR	63S4	85	323
13	770	128.77	1800	5.2						
6.2	1620	176.88	1330	1.65						
6.8	1490	162.94	1340	1.80	R	47	DR	63M6	40	319
7.9	1280	139.99	1350	2.1	RF	47	DR	63M6	40	320
9.0	1110	121.87	1360	2.4						

<b>P<sub>m</sub> = 0.16 HP</b>									
<b>n<sub>a</sub></b> <b>rpm</b>	<b>T<sub>a</sub></b> <b>lb-in</b>	<b>i</b> <b>ratio</b>	<b>F<sub>Ra</sub><sup>1)</sup></b> <b>lb</b>	<b>SEW SF</b> <b>f<sub>B</sub></b>	<b>HazLoc</b> <b>-NA<sup>®</sup></b>			<b>m</b> <b>lbs</b>	
9.5	1060	176.88	1360	2.5					
10	970	162.94	1370	2.7					
12	830	139.99	1370	3.2					
14	730	121.87	1380	3.6		<b>R</b>	<b>47</b>	<b>DR</b>	<b>63S4</b>
15	685	114.17	1380	3.9		<b>RF</b>	<b>47</b>	<b>DR</b>	<b>63S4</b>
17	605	100.86	1380	4.4				40	319
18	560	93.68	1380	4.7				40	320
8.2	1230	134.82	1250	1.45					
8.9	1130	123.66	1270	1.55					
10	960	105.28	1300	1.85		<b>R</b>	<b>37</b>	<b>DR</b>	<b>63M6</b>
12	830	90.77	1310	2.1		<b>RF</b>	<b>37</b>	<b>DR</b>	<b>63M6</b>
13	775	84.61	1320	2.3				31	316
15	675	73.96	1330	2.6				34	317
12	800	134.82	1320	2.2					
14	740	123.66	1320	2.4					
16	630	105.28	1340	2.8		<b>R</b>	<b>37</b>	<b>DR</b>	<b>63S4</b>
19	540	90.77	1340	3.2		<b>RF</b>	<b>37</b>	<b>DR</b>	<b>63S4</b>
20	505	84.61	1350	3.5				31	316
23	440	73.96	1350	4.0				34	317
10	960	105.49	900	1.20					
12	830	90.96	920	1.40		<b>R</b>	<b>27</b>	<b>DR</b>	<b>63M6</b>
13	775	84.78	920	1.50		<b>RF</b>	<b>27</b>	<b>DR</b>	<b>63M6</b>
15	675	74.11	940	1.70				18	313
								18	314
12	810	135.09	920	1.40					
14	740	123.91	930	1.55					
16	630	105.49	940	1.80					
18	545	90.96	950	2.1					
20	505	84.78	960	2.3					
23	440	74.11	960	2.6		<b>R</b>	<b>27</b>	<b>DR</b>	<b>63S4</b>
24	415	69.47	970	2.8		<b>RF</b>	<b>27</b>	<b>DR</b>	<b>63S4</b>
27	365	61.30	930	3.1				18	313
30	335	55.87	910	3.4				18	314
35	285	48.17	870	4.0					
37	265	44.90	850	4.3					
16	645	70.39	535	1.15					
17	600	65.61	545	1.25		<b>R</b>	<b>17</b>	<b>DR</b>	<b>63M6</b>
19	525	57.35	560	1.45		<b>RF</b>	<b>17</b>	<b>DR</b>	<b>63M6</b>
20	490	53.76	560	1.55				17	310
23	430	47.44	560	1.75				17	311
21	485	81.64	560	1.55					
24	420	70.39	560	1.80					
26	390	65.61	560	1.90					
29	340	57.35	560	2.2					
31	320	53.76	560	2.3					
35	280	47.44	550	2.6		<b>R</b>	<b>17</b>	<b>DR</b>	<b>63S4</b>
38	265	44.18	535	2.8		<b>RF</b>	<b>17</b>	<b>DR</b>	<b>63S4</b>
44	230	38.61	520	3.2				17	310
46	215	36.20	510	3.5				17	311
53	192	31.94	490	3.9					
59	170	28.32	475	4.4					
70	144	24.07	450	5.2					
28	360	60.32	295	1.20					
33	305	51.52	305	1.45					
35	285	47.78	310	1.55					
38	260	44.16	315	1.65					
41	245	41.31	320	1.80					
42	240	40.34	320	1.85					
44	230	38.51	320	1.90		<b>R</b>	<b>07</b>	<b>DR</b>	<b>63S4</b>
49	200	34.05	310	2.2		<b>RF</b>	<b>07</b>	<b>DR</b>	<b>63S4</b>
58	174	29.08	300	2.5				14	307
62	162	26.97	290	2.7				14	308
72	140	23.32	280	3.2					
77	130	21.73	275	3.4					

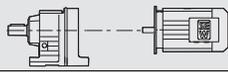
21933480/EN-US - 04/2018

8

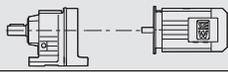
<b>P<sub>m</sub> = 0.16 HP</b>								<b>m</b>			
<b>n<sub>a</sub></b> rpm	<b>T<sub>a</sub></b> lb-in	<b>i</b> ratio	<b>F<sub>Ra</sub><sup>1)</sup></b> lb	<b>SEW SF</b> f <sub>B</sub>	<b>HazLoc</b> -NA®			<b>lbs</b>			
92	110	18.31	265	4.0							
100	100	16.73	255	4.4							
119	85	14.12	245	5.2							
139	72	12.06	235	6.1							
150	67	11.18	230	6.6							
174	58	9.67	220	7.6							
186	54	9.01	215	8.2							
214	47	7.85	205	9.2		<b>R</b>	<b>07</b>	<b>DR</b>	<b>63S4</b>	14	307
225	45	7.48	200	8.5		<b>RF</b>	<b>07</b>	<b>DR</b>	<b>63S4</b>	14	308
246	41	6.83	197	9.3							
291	35	5.76	187	10							
341	30	4.92	178	11							
368	27	4.57	173	12							
425	24	3.95	166	13							
457	22	3.68	162	13							
524	19	3.21	155	14							
277	36	6.07	900	10		<b>RX</b>	<b>67</b>	<b>DR</b>	<b>63S4</b>	36	297
325	31	5.18	850	21		<b>RXF</b>	<b>67</b>	<b>DR</b>	<b>63S4</b>	45	298
371	27	4.53	820	27							
391	26	4.30*	800	27							
305	33	5.50*	710	10							
332	30	5.07	690	10							
386	26	4.35	655	23							
443	23	3.79	625	27							
473	21	3.55*	615	29							
536	19	3.14	590	31		<b>RX</b>	<b>57</b>	<b>DR</b>	<b>63S4</b>	30	295
577	18	2.91	575	34		<b>RXF</b>	<b>57</b>	<b>DR</b>	<b>63S4</b>	35	296
636	16	2.64*	555	39							
709	14	2.37	535	43							
823	12	2.04	510	50							
875	12	1.92*	500	53							
1015	9.9	1.65	475	62							

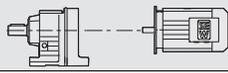
<b>P<sub>m</sub> = 0.25 HP</b>								<b>m</b>			
<b>n<sub>a</sub></b> rpm	<b>T<sub>a</sub></b> lb-in	<b>i</b> ratio	<b>F<sub>Ra</sub><sup>1)</sup></b> lb	<b>SEW SF</b> f <sub>B</sub>	<b>HazLoc</b> -NA®			<b>lbs</b>			
0.12	102800	14075	14700	1.10	X						
0.14	89000	12344	15200	1.30	X						
0.15	78800	11143	15600	1.45	X						
0.17	70200	9743	15800	1.65	X						
0.20	57200	8443	16100	2.0	X	<b>R</b>	<b>147R77</b>	<b>(E)DRS</b>	<b>71S4</b>	930	342/346
0.23	49500	7307	16300	2.3	X	<b>RF</b>	<b>147R77</b>	<b>(E)DRS</b>	<b>71S4</b>	950	343/346
0.26	43700	6447	16400	2.6	X	<b>RM</b>	<b>147R77</b>	<b>(E)DRS</b>	<b>71S4</b>	1320	343/346
0.31	37700	5568	16500	3.0	X						
0.35	34800	4926	16500	3.3	X						
0.39	29700	4325	16600	3.9	X						
0.45	26500	3754	16600	4.3	X						
0.51	22600	3302	16700	5.1	X						
0.19	59500	8784	12500	1.20	X						
0.23	48900	7479	13000	1.45	X						
0.26	47300	6559	13000	1.50	X	<b>R</b>	<b>137R77</b>	<b>(E)DRS</b>	<b>71S4</b>	640	340/346
0.29	38200	5834	13300	1.85	X	<b>RF</b>	<b>137R77</b>	<b>(E)DRS</b>	<b>71S4</b>	690	341/346
0.33	36900	5116	13300	1.90	X	<b>RM</b>	<b>137R77</b>	<b>(E)DRS</b>	<b>71S4</b>	940	341/346
0.38	30200	4464	13500	2.3	X						
0.43	26600	3928	13600	2.7	X						
0.36	34800	4709	13400	2.0	X	<b>R</b>	<b>137R77</b>	<b>(E)DRS</b>	<b>71S4</b>	620	340/346
0.42	29700	4018	13500	2.4	X	<b>RF</b>	<b>137R77</b>	<b>(E)DRS</b>	<b>71S4</b>	670	341/346
0.48	25900	3514	13600	2.7	X	<b>RM</b>	<b>137R77</b>	<b>(E)DRS</b>	<b>71S4</b>	920	341/346
0.51	24600	3338	13600	2.9	X						
0.58	21600	2929	13600	3.3	X						

21933480/EN-US - 04/2018

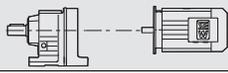
<b>P<sub>m</sub> = 0.25 HP</b>									
<b>n<sub>a</sub></b> rpm	<b>T<sub>a</sub></b> lb-in	<b>i</b> ratio	<b>F<sub>Ra</sub><sup>1)</sup></b> lb	<b>SEW SF</b> f <sub>B</sub>	<b>HazLoc</b> -NA <sup>®</sup>			<b>m</b> lbs	
0.24	46100	7053	9660	1.15	X				
0.25	46100	6722	9660	1.15	X				
0.27	43000	6347	9660	1.25	X				
0.27	44600	6185	9660	1.20	X				
0.30	40300	5592	9660	1.30	X				
0.36	34100	4740	9660	1.55	X				
0.38	30500	4441	9660	1.75	X				
0.43	25800	3949	9660	2.0	X	<b>R</b>	<b>127R77</b>	<b>(E)DRS 71S4</b>	580 338/346
0.45	25800	3764	9660	2.0	X	<b>RF</b>	<b>127R77</b>	<b>(E)DRS 71S4</b>	600 339/346
0.48	23300	3571	9660	2.3	X	<b>RM</b>	<b>127R77</b>	<b>(E)DRS 71S4</b>	810 339/346
0.55	19000	3110	9660	2.8	X				
0.60	17200	2812	9660	3.1	X				
0.71	14600	2383	9660	3.6	X				
0.88	13200	1934	9660	4.0	X				
0.93	12000	1835	9660	4.4	X				
1.1	10100	1555	9660	5.2	X				
0.49	25800	3495	9660	2.0	X				
0.56	22600	3056	9660	2.4	X				
0.59	21400	2903	9660	2.5	X	<b>R</b>	<b>127R77</b>	<b>(E)DRS 71S4</b>	540 338/346
0.67	18800	2547	9660	2.8	X	<b>RF</b>	<b>127R77</b>	<b>(E)DRS 71S4</b>	590 339/346
0.79	15700	2161	9660	3.4	X	<b>RM</b>	<b>127R77</b>	<b>(E)DRS 71S4</b>	800 339/346
0.87	13900	1951	9660	3.8	X				
0.99	11900	1716	9660	4.5	X				
1.1	11100	1620	9660	4.8	X				
0.68	18300	2506	9660	2.9	X				
0.75	16500	2266	9660	3.2	X				
0.84	14000	2016	9660	3.8	X	<b>R</b>	<b>127R77</b>	<b>(E)DRS 71S4</b>	570 338/346
0.89	14000	1920	9660	3.8	X	<b>RF</b>	<b>127R77</b>	<b>(E)DRS 71S4</b>	600 339/346
0.93	12600	1823	9660	4.2	X	<b>RM</b>	<b>127R77</b>	<b>(E)DRS 71S4</b>	810 339/346
1.0	11000	1673	9660	4.8	X				
1.1	10700	1545	9660	4.9	X				
1.1	10000	1512	9660	5.3	X				
0.38	30000	4435	7540	1.25	X	<b>R</b>	<b>107R77</b>	<b>(E)DRS 71S4</b>	450 336/346
0.44	26700	3896	7830	1.40	X	<b>RF</b>	<b>107R77</b>	<b>(E)DRS 71S4</b>	465 337/346
0.56	21900	3039	8130	1.75	X	<b>RM</b>	<b>107R77</b>	<b>(E)DRS 71S4</b>	660 337/346
0.43	28900	3918	7640	1.30	X				
0.51	24700	3343	7990	1.55	X				
0.56	22400	3034	8120	1.70	X	<b>R</b>	<b>107R77</b>	<b>(E)DRS 71S4</b>	435 336/346
0.64	19600	2653	8210	1.95	X	<b>RF</b>	<b>107R77</b>	<b>(E)DRS 71S4</b>	450 337/346
0.75	16800	2280	8280	2.3	X	<b>RM</b>	<b>107R77</b>	<b>(E)DRS 71S4</b>	640 337/346
0.82	15000	2067	8330	2.5	X				
0.86	14200	1987	8350	2.7	X				
0.93	12500	1827	8380	3.0	X	<b>R</b>	<b>107R77</b>	<b>(E)DRS 71S4</b>	450 336/346
1.1	10600	1599	8420	3.6	X	<b>RF</b>	<b>107R77</b>	<b>(E)DRS 71S4</b>	460 337/346
1.2	9610	1400	8430	4.0	X	<b>RM</b>	<b>107R77</b>	<b>(E)DRS 71S4</b>	660 337/346
1.4	8120	1226	8450	4.7	X				
0.64	20700	2668	5590	1.30	X				
0.76	17000	2245	5990	1.55	X				
0.84	15100	2016	6140	1.75	X				
0.98	13700	1733	6200	1.95	X				
1.1	12700	1623	6230	2.1	X	<b>R</b>	<b>97R57</b>	<b>(E)DRS 71S4</b>	280 334/346
1.2	11100	1434	6280	2.4	X	<b>RF</b>	<b>97R57</b>	<b>(E)DRS 71S4</b>	320 335/346
1.4	9180	1207	6330	2.9	X	<b>RM</b>	<b>97R57</b>	<b>(E)DRS 71S4</b>	435 335/346
1.6	8130	1084	6360	3.3	X				
1.8	6840	934	6380	3.9	X				
1.9	6370	878	6390	4.2	X				
2.2	5340	755	6410	5.0	X				
0.62	21500	2722	4430	1.25	X	<b>R</b>	<b>97R57</b>	<b>(E)DRS 71S4</b>	285 334/346
0.74	18100	2311	5440	1.45	X	<b>RF</b>	<b>97R57</b>	<b>(E)DRS 71S4</b>	325 335/346
0.82	16300	2078	5990	1.60	X	<b>RM</b>	<b>97R57</b>	<b>(E)DRS 71S4</b>	435 335/346

21933480/EN-US - 04/2018

<b>P<sub>m</sub> = 0.25 HP</b>									
<b>n<sub>a</sub></b> rpm	<b>T<sub>a</sub></b> lb-in	<b>i</b> ratio	<b>F<sub>Ra</sub><sup>1)</sup></b> lb	<b>SEW SF</b> f <sub>B</sub>	<b>HazLoc</b> -NA <sup>®</sup>			<b>m</b> lbs	
1.1	11700	1489	4110	1.15	X				
1.2	10900	1395	4220	1.25	X				
1.4	9570	1232	4380	1.45	X	<b>R</b>	<b>87R57</b>	<b>(E)DRS</b>	<b>71S4</b>
1.5	8830	1145	4460	1.55	X	<b>RF</b>	<b>87R57</b>	<b>(E)DRS</b>	<b>71S4</b>
1.6	7890	1037	4490	1.75	X	<b>RM</b>	<b>87R57</b>	<b>(E)DRS</b>	<b>71S4</b>
1.8	6980	931	4490	1.95	X			190	331/346
2.1	5880	802	4490	2.3	X			210	332/346
2.1	11500	1524	3590	1.20	X			275	332/346
1.3	9460	1303	4380	1.45	X	<b>R</b>	<b>87R57</b>	<b>(E)DRS</b>	<b>71S4</b>
1.5	8300	1143	4490	1.65	X	<b>RF</b>	<b>87R57</b>	<b>(E)DRS</b>	<b>71S4</b>
1.9	6730	885	4490	2.0	X	<b>RM</b>	<b>87R57</b>	<b>(E)DRS</b>	<b>71S4</b>
2.2	5900	776	4490	2.3	X			195	331/346
2.0	6780	858	2330	1.05	X	<b>R</b>	<b>77R37</b>	<b>(E)DRS</b>	<b>71S4</b>
2.2	5920	757	2500	1.20	X	<b>RF</b>	<b>77R37</b>	<b>(E)DRS</b>	<b>71S4</b>
2.5	5190	671	2610	1.40	X	<b>RM</b>	<b>77R37</b>	<b>(E)DRS</b>	<b>71S4</b>
3.0	4330	571	2720	1.65	X			105	328/346
2.1	6070	821	2470	1.20	X			120	329/346
2.3	5510	731	2560	1.30	X			175	329/346
2.6	5220	646	2610	1.40	X	<b>R</b>	<b>77R37</b>	<b>(E)DRS</b>	<b>71S4</b>
3.0	4520	560	2700	1.60	X	<b>RF</b>	<b>77R37</b>	<b>(E)DRS</b>	<b>71S4</b>
3.5	3810	488	2780	1.90	X	<b>RM</b>	<b>77R37</b>	<b>(E)DRS</b>	<b>71S4</b>
3.9	3370	436	2820	2.1	X			110	328/346
4.6	2910	373	2860	2.5	X			120	329/346
5.2	2550	327	2880	2.8	X			175	329/346
5.9	2290	289	2900	3.2	X				
3.0	4410	571	1930	1.20	X	<b>R</b>	<b>67R37</b>	<b>(E)DRS</b>	<b>71S4</b>
3.5	3690	486	2070	1.45	X	<b>RF</b>	<b>67R37</b>	<b>(E)DRS</b>	<b>71S4</b>
						<b>RM</b>	<b>67R37</b>	<b>(E)DRS</b>	<b>71S4</b>
								94	325/346
3.0	4560	574	1900	1.15	X			100	326/346
3.4	3930	495	2030	1.35	X			135	326/346
3.9	3300	438	2130	1.60	X	<b>R</b>	<b>67R37</b>	<b>(E)DRS</b>	<b>71S4</b>
4.4	2920	388	2190	1.80	X	<b>RF</b>	<b>67R37</b>	<b>(E)DRS</b>	<b>71S4</b>
4.9	2730	344	2210	1.95	X	<b>RM</b>	<b>67R37</b>	<b>(E)DRS</b>	<b>71S4</b>
5.8	2170	294	2270	2.4	X			96	325/346
6.5	2010	261	2280	2.6	X			105	326/346
								140	326/346
3.7	3450	454	1650	1.15	X	<b>R</b>	<b>57R37</b>	<b>(E)DRS</b>	<b>71S4</b>
4.2	3110	410	1680	1.30	X	<b>RF</b>	<b>57R37</b>	<b>(E)DRS</b>	<b>71S4</b>
						<b>RM</b>	<b>57R37</b>	<b>(E)DRS</b>	<b>71S4</b>
								80	322/346
3.6	3740	471	1620	1.05	X			87	323/346
4.8	2790	357	1700	1.40	X	<b>R</b>	<b>57R37</b>	<b>(E)DRS</b>	<b>71S4</b>
5.3	2460	319	1730	1.60	X	<b>RF</b>	<b>57R37</b>	<b>(E)DRS</b>	<b>71S4</b>
6.2	2070	273	1750	1.90	X	<b>RM</b>	<b>57R37</b>	<b>(E)DRS</b>	<b>71S4</b>
7.1	1780	241	1760	2.2	X			81	322/346
7.9	1590	215	1770	2.5	X			89	323/346
								115	323/346
4.7	2930	359	1690	1.35	X				
5.2	2650	324	1710	1.50	X				
5.9	2330	290	1730	1.70	X	<b>R</b>	<b>57R37</b>	<b>(E)DRS</b>	<b>71S4</b>
6.5	2100	262	1750	1.90	X	<b>RF</b>	<b>57R37</b>	<b>(E)DRS</b>	<b>71S4</b>
6.9	1950	246	1760	2.0	X	<b>RM</b>	<b>57R37</b>	<b>(E)DRS</b>	<b>71S4</b>
7.7	1720	220	1770	2.3	X			79	322/346
9.0	1440	188	1780	2.8	X			87	323/346
11	1210	159	1780	3.3	X			115	323/346
5.7	2410	301	1250	1.10	X				
6.7	2020	255	1290	1.30	X	<b>R</b>	<b>47R37</b>	<b>(E)DRS</b>	<b>71S4</b>
7.5	1780	228	1310	1.50	X	<b>RF</b>	<b>47R37</b>	<b>(E)DRS</b>	<b>71S4</b>
8.7	1490	195	1340	1.75	X			68	319/346
								69	320/346
8.5	1590	199	1080	1.10	X				
9.9	1390	172	1220	1.25	X	<b>R</b>	<b>37R17</b>	<b>(E)DRS</b>	<b>71S4</b>
11	1200	150	1250	1.45	X	<b>RF</b>	<b>37R17</b>	<b>(E)DRS</b>	<b>71S4</b>
								43	316/346
8.4	1630	202	1050	1.10	X			46	317/346
9.5	1420	179	1200	1.25	X	<b>R</b>	<b>37R17</b>	<b>(E)DRS</b>	<b>71S4</b>
11	1210	156	1250	1.45	X	<b>RF</b>	<b>37R17</b>	<b>(E)DRS</b>	<b>71S4</b>
								43	316/346
								46	317/346

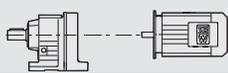
<b>P<sub>m</sub> = 0.25 HP</b>											
<b>n<sub>a</sub></b> <b>rpm</b>	<b>T<sub>a</sub></b> <b>lb-in</b>	<b>i</b> <b>ratio</b>	<b>F<sub>Ra</sub><sup>1)</sup></b> <b>lb</b>	<b>SEW SF</b> <b>f<sub>B</sub></b>	<b>HazLoc</b> <b>-NA®</b>					<b>m</b> <b>lbs</b>	
12	1080	141	840	1.05	X						
14	950	124	900	1.20	X	<b>R</b>	<b>27R17</b>	<b>(E)DRS</b>	<b>71S4</b>	30	313/346
15	860	110	910	1.35	X	<b>RF</b>	<b>27R17</b>	<b>(E)DRS</b>	<b>71S4</b>	30	314/346
18	720	94	930	1.60	X						
13	1050	135	860	1.10	X						
14	970	118	900	1.20	X	<b>R</b>	<b>27R17</b>	<b>(E)DRS</b>	<b>71S4</b>	30	313/346
16	840	104	920	1.35	X	<b>RF</b>	<b>27R17</b>	<b>(E)DRS</b>	<b>71S4</b>	30	314/346
19	725	90	930	1.60	X						
8.7	1810	195.24*	2920	4.0	X	<b>R</b>	<b>77</b>	<b>(E)DRS</b>	<b>71S4</b>	87	328
10	1540	166.59	2920	4.7	X	<b>RF</b>	<b>77</b>	<b>(E)DRS</b>	<b>71S4</b>	99	329
12	1350	145.67	2920	5.4	X	<b>RM</b>	<b>77</b>	<b>(E)DRS</b>	<b>71S4</b>	155	329
12	1280	138.39	2920	5.7	X						
5.5	2870	195.24*	2860	2.5		<b>R</b>	<b>77</b>	<b>DR</b>	<b>63L6</b>	83	328
6.4	2450	166.59	2890	3.0		<b>RF</b>	<b>77</b>	<b>DR</b>	<b>63L6</b>	95	329
7.3	2140	145.67	2910	3.4		<b>RM</b>	<b>77</b>	<b>DR</b>	<b>63L6</b>	150	329
7.7	2030	138.39	2910	3.6							
8.8	1780	121.42	2920	4.1							
8.5	1850	199.81	2300	2.9	X						
9.2	1700	184.07	2310	3.1	X	<b>R</b>	<b>67</b>	<b>(E)DRS</b>	<b>71S4</b>	71	325
11	1460	158.14	2330	3.6	X	<b>RF</b>	<b>67</b>	<b>(E)DRS</b>	<b>71S4</b>	78	326
12	1270	137.67	2340	4.2	X	<b>RM</b>	<b>67</b>	<b>(E)DRS</b>	<b>71S4</b>	115	326
13	1190	128.97	2340	4.4	X						
15	1050	113.94	2350	5.0	X						
16	980	105.83	2350	5.4	X						
5.4	2940	199.81	2190	1.80		<b>R</b>	<b>67</b>	<b>DR</b>	<b>63L6</b>	67	325
5.8	2710	184.07	2210	1.95		<b>RF</b>	<b>67</b>	<b>DR</b>	<b>63L6</b>	74	326
6.8	2320	158.14	2260	2.3		<b>RM</b>	<b>67</b>	<b>DR</b>	<b>63L6</b>	110	326
7.8	2020	137.67	2280	2.6							
8.3	1900	128.97	2290	2.8							
9.4	1670	113.94	2310	3.2							
10	1550	105.83	2320	3.4							
11	1410	95.91	2330	3.8							
12	1260	86.11	2340	4.2							
14	1090	74.17	2340	4.9							
15	1020	69.75	2350	5.2							
9.1	1730	186.89	1770	2.3	X						
9.9	1590	172.17	1770	2.5	X	<b>R</b>	<b>57</b>	<b>(E)DRS</b>	<b>71S4</b>	56	322
11	1370	147.92	1780	2.9	X	<b>RF</b>	<b>57</b>	<b>(E)DRS</b>	<b>71S4</b>	64	323
13	1190	128.77	1790	3.3	X	<b>RM</b>	<b>57</b>	<b>(E)DRS</b>	<b>71S4</b>	90	323
14	1110	120.63	1790	3.6	X						
16	980	106.58	1790	4.0	X						
17	910	98.99	1790	4.3	X						
19	830	89.71	1790	4.8	X						
5.7	2750	186.89	1710	1.45		<b>R</b>	<b>57</b>	<b>DR</b>	<b>63L6</b>	53	322
6.2	2530	172.17	1720	1.55		<b>RF</b>	<b>57</b>	<b>DR</b>	<b>63L6</b>	60	323
7.2	2170	147.92	1740	1.85		<b>RM</b>	<b>57</b>	<b>DR</b>	<b>63L6</b>	87	323
8.3	1890	128.77	1760	2.1							
8.9	1770	120.63	1760	2.2							
9.6	1640	176.88	1330	1.60	X						
10	1510	162.94	1340	1.75	X	<b>R</b>	<b>47</b>	<b>(E)DRS</b>	<b>71S4</b>	45	319
12	1290	139.99	1350	2.0	X	<b>RF</b>	<b>47</b>	<b>(E)DRS</b>	<b>71S4</b>	45	320
14	1130	121.87	1360	2.4	X						
15	1050	114.17	1360	2.5	X						
17	930	100.86	1370	2.8	X						
18	860	93.68	1370	3.1	X						
20	785	84.90	1370	3.4	X						
22	705	76.23	1380	3.8	X						

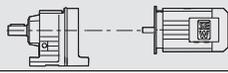
21933480/EN-US - 04/2018

<b>P<sub>m</sub> = 0.25 HP</b>									
<b>n<sub>a</sub></b> rpm	<b>T<sub>a</sub></b> lb-in	<b>i</b> ratio	<b>F<sub>Ra</sub><sup>1)</sup></b> lb	<b>SEW SF</b> f <sub>B</sub>	<b>HazLoc</b> -NA <sup>®</sup>			<b>m</b> lbs	
13	1250	134.82	1250	1.40	X				
14	1140	123.66	1270	1.55	X				
16	970	105.28	1290	1.80	X				
19	840	90.77	1310	2.1	X				
20	780	84.61	1320	2.3	X	<b>R</b>	<b>37</b>	<b>(E)DRS 71S4</b>	<b>37 316</b>
23	685	73.96	1330	2.6	X	<b>RF</b>	<b>37</b>	<b>(E)DRS 71S4</b>	<b>40 317</b>
25	640	69.33	1340	2.8	X				
28	565	61.18	1330	3.1	X				
30	515	55.76	1300	3.4	X				
35	445	48.08	1240	4.0	X				
10	1550	105.28	1110	1.15		<b>R</b>	<b>37</b>	<b>DR 63L6</b>	<b>33 316</b>
12	1330	90.77	1230	1.30		<b>RF</b>	<b>37</b>	<b>DR 63L6</b>	<b>36 317</b>
13	1240	84.61	1250	1.40					
14	1140	123.91	795	1.00	X				
16	970	105.49	900	1.20	X				
19	840	90.96	920	1.35	X				
20	785	84.78	920	1.45	X				
23	685	74.11	930	1.65	X				
24	640	69.47	930	1.80	X				
28	565	61.30	900	2.0	X	<b>R</b>	<b>27</b>	<b>(E)DRS 71S4</b>	<b>24 313</b>
30	515	55.87	880	2.2	X	<b>RF</b>	<b>27</b>	<b>(E)DRS 71S4</b>	<b>24 314</b>
35	445	48.17	840	2.6	X				
38	415	44.90	830	2.8	X				
43	360	39.25	795	3.2	X				
46	340	36.79	780	3.4	X				
52	300	32.47	750	3.8	X				
59	265	28.78	725	4.3	X				
69	225	24.47	690	5.1	X				
60	260	28.37	720	4.4	X				
65	240	26.09	700	4.8	X				
76	205	22.32	670	5.6	X	<b>R</b>	<b>27</b>	<b>(E)DRS 71S4</b>	<b>24 313</b>
88	179	19.35	640	6.4	X	<b>RF</b>	<b>27</b>	<b>(E)DRS 71S4</b>	<b>23 314</b>
94	168	18.08	625	6.9	X				
109	145	15.63	600	7.9	X				
128	123	13.28*	570	9.3	X				
21	755	81.64	390	1.00					
24	650	70.39	535	1.15	X				
26	605	65.61	540	1.25	X				
30	530	57.35	540	1.40	X				
32	495	53.76	530	1.50	X				
36	435	47.44	515	1.70	X	<b>R</b>	<b>17</b>	<b>(E)DRS 71S4</b>	<b>22 310</b>
38	405	44.18	510	1.85	X	<b>RF</b>	<b>17</b>	<b>(E)DRS 71S4</b>	<b>22 311</b>
44	355	38.61	490	2.1	X				
47	335	36.20	485	2.2	X				
53	295	31.94	470	2.5	X				
60	260	28.32	455	2.9	X				
71	220	24.07	435	3.4	X				
67	230	25.23	440	3.2	X				
73	210	23.15	430	3.5	X	<b>R</b>	<b>17</b>	<b>(E)DRS 71S4</b>	<b>22 310</b>
86	183	19.71	410	4.1	X	<b>RF</b>	<b>17</b>	<b>(E)DRS 71S4</b>	<b>21 311</b>
100	158	16.99	395	4.8	X				
36	440	47.78	280	1.00	X				
38	405	44.16	285	1.10	X				
41	380	41.31	290	1.15	X				
42	370	40.34	295	1.20	X				
44	355	38.51	295	1.25	X	<b>R</b>	<b>07</b>	<b>(E)DRS 71S4</b>	<b>20 307</b>
50	315	34.05	285	1.40	X	<b>RF</b>	<b>07</b>	<b>(E)DRS 71S4</b>	<b>20 308</b>
58	265	29.08	280	1.65	X				
63	250	26.97	275	1.75	X				
73	215	23.32	265	2.0	X				
78	200	21.73	260	2.2	X				

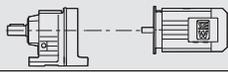
21933480/EN-US - 04/2018

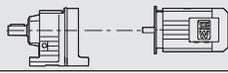
<b>P<sub>m</sub> = 0.25 HP</b>									
<b>n<sub>a</sub></b> rpm	<b>T<sub>a</sub></b> lb-in	<b>i</b> ratio	<b>F<sub>Ra</sub><sup>1)</sup></b> lb	<b>SEW SF</b> f <sub>B</sub>	<b>HazLoc</b> -NA <sup>®</sup>			<b>m</b> lbs	
<b>3</b>	170	18.31	250	2.6	X				
<b>102</b>	155	16.73	245	2.9	X				
<b>120</b>	131	14.12	235	3.4	X				
<b>141</b>	112	12.06	225	4.0	X				
<b>152</b>	104	11.18	220	4.3	X				
<b>176</b>	90	9.67	210	4.9	X				
<b>189</b>	84	9.01	205	5.3	X				
<b>216</b>	73	7.85	199	6.0	X	<b>R</b>	<b>07</b>	<b>(E)DRS</b>	<b>71S4</b>
<b>227</b>	69	7.48	197	5.5	X	<b>RF</b>	<b>07</b>	<b>(E)DRS</b>	<b>71S4</b>
<b>249</b>	63	6.83	192	6.0	X			19	307
<b>295</b>	53	5.76	182	6.6	X			19	308
<b>345</b>	46	4.92	174	7.2	X				
<b>372</b>	42	4.57	170	7.5	X				
<b>431</b>	37	3.95	163	8.2	X				
<b>462</b>	34	3.68	159	8.6	X				
<b>530</b>	30	3.21	153	9.2	X				
<b>280</b>	56	6.07	890	6.8	X				
<b>328</b>	48	5.18	850	14	X				
<b>376</b>	42	4.53	810	17	X				
<b>395</b>	40	4.30*	795	18	X				
<b>451</b>	35	3.77	765	22	X	<b>RX</b>	<b>67</b>	<b>(E)DRS</b>	<b>71S4</b>
<b>531</b>	30	3.20*	725	30	X	<b>RXF</b>	<b>67</b>	<b>(E)DRS</b>	<b>71S4</b>
<b>588</b>	27	2.89	700	35	X			41	297
<b>669</b>	24	2.54	670	44	X			50	298
<b>708</b>	22	2.40*	655	49	X				
<b>832</b>	19	2.04	625	63	X				
<b>309</b>	51	5.50*	705	6.8	X				
<b>336</b>	47	5.07	685	6.8	X				
<b>391</b>	40	4.35	650	15	X				
<b>449</b>	35	3.79	620	17	X				
<b>479</b>	33	3.55*	610	19	X				
<b>542</b>	29	3.14	585	20	X	<b>RX</b>	<b>57</b>	<b>(E)DRS</b>	<b>71S4</b>
<b>584</b>	27	2.91	570	22	X	<b>RXF</b>	<b>57</b>	<b>(E)DRS</b>	<b>71S4</b>
<b>644</b>	25	2.64*	555	25	X			36	295
<b>717</b>	22	2.37	535	28	X			40	296
<b>833</b>	19	2.04	510	32	X				
<b>885</b>	18	1.92*	500	34	X				
<b>1030</b>	15	1.65	475	40	X				

<b>P<sub>m</sub> = 0.33 HP</b>											
n <sub>a</sub> rpm	T <sub>a</sub> lb-in	i ratio	F <sub>Ra</sub> <sup>1)</sup> lb	SEW SF f <sub>B</sub>	HazLoc -NA <sup>®</sup>					m lbs	
0.17	97100	9743	14900	1.20	X						
0.20	80500	8443	15500	1.45	X						
0.23	69700	7307	15800	1.65	X						
0.26	61500	6447	16000	1.85	X						
0.31	53100	5568	16200	2.2	X	R	147R77	(E)DRS	71S4	930	342/346
0.35	48400	4926	16300	2.4	X	RF	147R77	(E)DRS	71S4	950	343/346
0.39	41600	4325	16400	2.8	X	RM	147R77	(E)DRS	71S4	1320	343/346
0.45	36900	3754	16500	3.1	X						
0.51	31800	3302	16600	3.6	X						
0.59	27600	2898	16600	4.2	X						
0.29	54300	5834	12800	1.30	X	R	137R77	(E)DRS	71S4	640	340/346
0.33	51000	5116	12900	1.40	X	RF	137R77	(E)DRS	71S4	690	341/346
0.38	42600	4464	13200	1.65	X	RM	137R77	(E)DRS	71S4	940	341/346
0.43	37400	3928	13300	1.90	X						
0.36	47900	4709	13000	1.45	X	R	137R77	(E)DRS	71S4	620	340/346
0.42	40900	4018	13200	1.75	X	RF	137R77	(E)DRS	71S4	670	341/346
0.48	35800	3514	13400	2.0	X	RM	137R77	(E)DRS	71S4	920	341/346
0.51	34000	3338	13400	2.1	X						
0.58	29800	2929	13500	2.4	X						
0.64	26800	2658	13600	2.6	X	R	137R77	(E)DRS	71S4	640	340/346
0.70	24300	2412	13600	2.9	X	RF	137R77	(E)DRS	71S4	690	341/346
0.82	20900	2073	13600	3.4	X	RM	137R77	(E)DRS	71S4	940	341/346
0.92	17700	1839	13700	4.0	X						
1.2	13900	1397	13700	5.1	X						
1.4	11900	1226	13800	5.9	X						
0.36	47200	4740	9660	1.10	X						
0.38	42700	4441	9660	1.25	X						
0.43	36700	3949	9660	1.45	X						
0.45	36200	3764	9660	1.45	X						
0.48	33200	3571	9660	1.60	X						
0.55	27600	3110	9660	1.90	X	R	127R77	(E)DRS	71S4	580	338/346
0.60	24900	2812	9660	2.1	X	RF	127R77	(E)DRS	71S4	600	339/346
0.71	21100	2383	9660	2.5	X	RM	127R77	(E)DRS	71S4	810	339/346
0.88	18600	1934	9660	2.9	X						
0.93	17000	1835	9660	3.1	X						
1.1	14400	1555	9660	3.7	X						
1.2	12800	1444	9660	4.1	X						
1.4	10800	1224	9660	4.9	X						
0.49	35600	3495	9660	1.50	X						
0.56	31100	3056	9660	1.70	X						
0.59	29500	2903	9660	1.80	X						
0.67	25900	2547	9660	2.0	X						
0.79	21800	2161	9660	2.4	X	R	127R77	(E)DRS	71S4	540	338/346
0.87	19400	1951	9660	2.7	X	RF	127R77	(E)DRS	71S4	590	339/346
0.99	16700	1716	9660	3.2	X	RM	127R77	(E)DRS	71S4	800	339/346
1.1	15600	1620	9660	3.4	X						
1.2	13000	1380	9660	4.1	X						
1.4	12200	1210	9660	4.3	X						
0.68	25300	2506	9660	2.1	X						
0.75	22800	2266	9660	2.3	X						
0.84	19600	2016	9660	2.7	X						
0.89	19300	1920	9660	2.7	X						
0.93	17700	1823	9660	3.0	X						
1.0	15700	1673	9660	3.4	X	R	127R77	(E)DRS	71S4	570	338/346
1.1	15000	1545	9660	3.5	X	RF	127R77	(E)DRS	71S4	600	339/346
1.1	14200	1512	9660	3.7	X	RM	127R77	(E)DRS	71S4	810	339/346
1.3	11800	1322	9660	4.5	X						
1.3	12000	1282	9660	4.4	X						
1.4	10700	1195	9660	4.9	X						
1.5	11700	1164	9660	4.5	X						
1.7	9960	987	9660	5.3	X						

<b>P<sub>m</sub> = 0.33 HP</b>											
<b>n<sub>a</sub></b> rpm	<b>T<sub>a</sub></b> lb-in	<b>i</b> ratio	<b>F<sub>Ra</sub><sup>1)</sup></b> lb	<b>SEW SF</b> f <sub>B</sub>	<b>HazLoc</b> -NA <sup>®</sup>			<b>m</b> lbs			
<b>0.56</b>	30300	3039	7520	1.25	X						
<b>0.86</b>	19700	1987	8200	1.90	X						
<b>0.93</b>	17600	1827	8260	2.2	X	<b>R</b>	<b>107R77</b>	<b>(E)DRS</b>	<b>71S4</b>	450	336/346
<b>1.1</b>	15000	1599	8330	2.5	X	<b>RF</b>	<b>107R77</b>	<b>(E)DRS</b>	<b>71S4</b>	465	337/346
<b>1.2</b>	13500	1400	8360	2.8	X	<b>RM</b>	<b>107R77</b>	<b>(E)DRS</b>	<b>71S4</b>	660	337/346
<b>1.4</b>	11500	1226	8400	3.3	X						
<b>1.8</b>	9060	939	8440	4.2	X						
<b>2.1</b>	7740	822	8450	4.9	X						
<b>0.98</b>	18500	1733	5840	1.45	X	<b>R</b>	<b>97R57</b>	<b>(E)DRS</b>	<b>71S4</b>	280	334/346
<b>1.1</b>	17300	1623	5970	1.55	X	<b>RF</b>	<b>97R57</b>	<b>(E)DRS</b>	<b>71S4</b>	320	335/346
						<b>RM</b>	<b>97R57</b>	<b>(E)DRS</b>	<b>71S4</b>	435	335/346
<b>0.93</b>	19200	1823	5120	1.40	X						
<b>1.1</b>	16700	1583	5880	1.60	X						
<b>1.2</b>	14300	1396	6170	1.85	X						
<b>1.4</b>	12400	1228	6240	2.1	X	<b>R</b>	<b>97R57</b>	<b>(E)DRS</b>	<b>71S4</b>	285	334/346
<b>1.6</b>	11400	1069	6270	2.3	X	<b>RF</b>	<b>97R57</b>	<b>(E)DRS</b>	<b>71S4</b>	325	335/346
<b>1.8</b>	9900	938	6320	2.7	X	<b>RM</b>	<b>97R57</b>	<b>(E)DRS</b>	<b>71S4</b>	435	335/346
<b>2.1</b>	8350	824	6350	3.2	X						
<b>2.3</b>	7460	737	6370	3.5	X						
<b>2.7</b>	6400	632	6390	4.2	X						
<b>1.5</b>	12000	1145	4070	1.15	X	<b>R</b>	<b>87R57</b>	<b>(E)DRS</b>	<b>71S4</b>	190	331/346
<b>1.6</b>	10700	1037	4240	1.25	X	<b>RF</b>	<b>87R57</b>	<b>(E)DRS</b>	<b>71S4</b>	210	332/346
<b>1.8</b>	9580	931	4380	1.45	X	<b>RM</b>	<b>87R57</b>	<b>(E)DRS</b>	<b>71S4</b>	275	332/346
<b>2.1</b>	8120	802	4490	1.70	X						
<b>1.5</b>	11400	1143	3630	1.20	X						
<b>1.9</b>	9200	885	4420	1.50	X						
<b>2.2</b>	8070	776	4490	1.70	X	<b>R</b>	<b>87R57</b>	<b>(E)DRS</b>	<b>71S4</b>	195	331/346
<b>2.5</b>	7120	685	4490	1.90	X	<b>RF</b>	<b>87R57</b>	<b>(E)DRS</b>	<b>71S4</b>	210	332/346
<b>2.8</b>	5900	599	4490	2.3	X	<b>RM</b>	<b>87R57</b>	<b>(E)DRS</b>	<b>71S4</b>	275	332/346
<b>3.2</b>	5180	525	4490	2.6	X						
<b>3.7</b>	4580	456	4490	3.0	X						
<b>6.3</b>	2640	268	4490	5.2	X						
<b>3.0</b>	5930	571	2500	1.20	X	<b>R</b>	<b>77R37</b>	<b>(E)DRS</b>	<b>71S4</b>	105	328/346
						<b>RF</b>	<b>77R37</b>	<b>(E)DRS</b>	<b>71S4</b>	120	329/346
						<b>RM</b>	<b>77R37</b>	<b>(E)DRS</b>	<b>71S4</b>	175	329/346
<b>3.0</b>	6080	560	2470	1.20	X						
<b>3.5</b>	5180	488	2610	1.40	X						
<b>3.9</b>	4580	436	2690	1.60	X	<b>R</b>	<b>77R37</b>	<b>(E)DRS</b>	<b>71S4</b>	110	328/346
<b>4.6</b>	3950	373	2770	1.85	X	<b>RF</b>	<b>77R37</b>	<b>(E)DRS</b>	<b>71S4</b>	120	329/346
<b>5.2</b>	3460	327	2810	2.1	X	<b>RM</b>	<b>77R37</b>	<b>(E)DRS</b>	<b>71S4</b>	175	329/346
<b>5.9</b>	3090	289	2840	2.3	X						
<b>6.5</b>	2750	260	2870	2.6	X						
<b>7.6</b>	2280	224	2900	3.2	X						
<b>4.4</b>	4010	388	2010	1.30	X						
<b>4.9</b>	3690	344	2070	1.45	X	<b>R</b>	<b>67R37</b>	<b>(E)DRS</b>	<b>71S4</b>	96	325/346
<b>5.8</b>	2990	294	2180	1.75	X	<b>RF</b>	<b>67R37</b>	<b>(E)DRS</b>	<b>71S4</b>	105	326/346
<b>6.5</b>	2740	261	2210	1.95	X	<b>RM</b>	<b>67R37</b>	<b>(E)DRS</b>	<b>71S4</b>	140	326/346
<b>7.3</b>	2460	234	2240	2.1	X						
<b>8.5</b>	2070	200	2280	2.5	X						
<b>9.7</b>	1790	176	2300	3.0	X						
<b>11</b>	1600	158	2320	3.3	X						
<b>4.4</b>	4220	384	1970	1.25	X						
<b>4.7</b>	3930	359	2030	1.35	X						
<b>5.5</b>	3370	310	2120	1.55	X	<b>R</b>	<b>67R37</b>	<b>(E)DRS</b>	<b>71S4</b>	94	325/346
<b>6.5</b>	2830	264	2200	1.85	X	<b>RF</b>	<b>67R37</b>	<b>(E)DRS</b>	<b>71S4</b>	100	326/346
<b>7.2</b>	2500	235	2240	2.1	X	<b>RM</b>	<b>67R37</b>	<b>(E)DRS</b>	<b>71S4</b>	135	326/346
<b>8.5</b>	2110	201	2280	2.5	X						
<b>9.4</b>	1900	181	2290	2.8	X						
<b>5.3</b>	3360	319	1660	1.20	X						
<b>6.2</b>	2830	273	1700	1.40	X						
<b>7.1</b>	2450	241	1730	1.60	X	<b>R</b>	<b>57R37</b>	<b>(E)DRS</b>	<b>71S4</b>	81	322/346
<b>7.9</b>	2190	215	1740	1.80	X	<b>RF</b>	<b>57R37</b>	<b>(E)DRS</b>	<b>71S4</b>	89	323/346
<b>9.1</b>	1940	187	1760	2.0	X	<b>RM</b>	<b>57R37</b>	<b>(E)DRS</b>	<b>71S4</b>	115	323/346
<b>10</b>	1670	164	1770	2.4	X						
<b>12</b>	1460	142	1780	2.7	X						

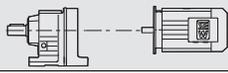
21933480/EN-US - 04/2018

<b>P<sub>m</sub> = 0.33 HP</b>												
<b>n<sub>a</sub></b> rpm	<b>T<sub>a</sub></b> lb-in	<b>i</b> ratio	<b>F<sub>Ra</sub><sup>1)</sup></b> lb	<b>SEW SF</b> f <sub>B</sub>	<b>HazLoc</b> -NA®					<b>m</b> lbs		
5.2	3560	324	1640	1.10	X	<b>R</b> <b>RF</b> <b>RM</b>	<b>57R37</b>	<b>(E)DRS</b>	<b>71S4</b>	79	322/346	
5.9	3150	290	1680	1.25	X		<b>57R37</b>	<b>(E)DRS</b>	<b>71S4</b>	87	323/346	
6.5	2840	262	1700	1.40	X		<b>57R37</b>	<b>(E)DRS</b>	<b>71S4</b>	115	323/346	
6.9	2640	246	1710	1.50	X							
7.7	2340	220	1730	1.70	X							
7.5	2420	228	1250	1.10	X	<b>R</b> <b>RF</b>	<b>47R37</b>	<b>(E)DRS</b>	<b>71S4</b>	68	319/346	
8.7	2040	195	1290	1.30	X		<b>47R37</b>	<b>(E)DRS</b>	<b>71S4</b>	69	320/346	
9.3	1900	182	1300	1.40	X							
11	1580	154	1330	1.70	X							
11	1620	150	1060	1.10	X	<b>R</b> <b>RF</b>	<b>37R17</b>	<b>(E)DRS</b>	<b>71S4</b>	43	316/346	
13	1370	130	1220	1.30	X		<b>37R17</b>	<b>(E)DRS</b>	<b>71S4</b>	46	317/346	
14	1300	124	1230	1.35	X							
15	1150	110	1260	1.55	X							
18	980	94	1290	1.80	X							
13	1420	135	1200	1.25	X	<b>R</b> <b>RF</b>	<b>37R17</b>	<b>(E)DRS</b>	<b>71S4</b>	43	316/346	
13	1390	127	1210	1.25	X		<b>37R17</b>	<b>(E)DRS</b>	<b>71S4</b>	46	317/346	
16	1130	104	1270	1.55	X							
19	980	90	1290	1.80	X							
5.6	3690	195.24*	2790	1.95		<b>R</b> <b>RF</b> <b>RM</b>	<b>77</b>	<b>DRS</b>	<b>71S6</b>	87	328	
6.6	3150	166.59	2840	2.3			<b>77</b>	<b>DRS</b>	<b>71S6</b>	99	329	
7.5	2750	145.67	2870	2.6			<b>77</b>	<b>DRS</b>	<b>71S6</b>	155	329	
8.7	2380	195.24*	2890	3.0	X	<b>R</b> <b>RF</b> <b>RM</b>	<b>77</b>	<b>(E)DRS</b>	<b>71S4</b>	87	328	
10	2030	166.59	2910	3.6	X		<b>77</b>	<b>(E)DRS</b>	<b>71S4</b>	99	329	
12	1780	145.67	2920	4.1	X		<b>77</b>	<b>(E)DRS</b>	<b>71S4</b>	155	329	
12	1690	138.39	2920	4.3	X		<b>77</b>	<b>(E)DRS</b>	<b>71S4</b>	155	329	
14	1480	121.42	2920	4.9	X							
5.5	3770	199.81	2060	1.40		<b>R</b> <b>RF</b> <b>RM</b>	<b>67</b>	<b>DRS</b>	<b>71S6</b>	71	325	
6.0	3480	184.07	2110	1.50			<b>67</b>	<b>DRS</b>	<b>71S6</b>	78	326	
7.0	2990	158.14	2180	1.75			<b>67</b>	<b>DRS</b>	<b>71S6</b>	115	326	
8.0	2600	137.67	2230	2.0								
8.5	2430	128.97	2240	2.2								
9.7	2150	113.94	2270	2.5								
10	2000	105.83	2290	2.6								
8.5	2440	199.81	2240	2.2	X	<b>R</b> <b>RF</b> <b>RM</b>	<b>67</b>	<b>(E)DRS</b>	<b>71S4</b>	71	325	
9.2	2250	184.07	2260	2.4	X		<b>67</b>	<b>(E)DRS</b>	<b>71S4</b>	78	326	
11	1930	158.14	2290	2.7	X		<b>67</b>	<b>(E)DRS</b>	<b>71S4</b>	115	326	
12	1680	137.67	2310	3.1	X							
13	1570	128.97	2320	3.4	X							
15	1390	113.94	2330	3.8	X							
16	1290	105.83	2330	4.1	X							
18	1170	95.91	2340	4.5	X							
20	1050	86.11	2350	5.0	X							
5.9	3530	186.89	1640	1.15		<b>R</b> <b>RF</b> <b>RM</b>	<b>57</b>	<b>DRS</b>	<b>71S6</b>	56	322	
6.4	3250	172.17	1670	1.20			<b>57</b>	<b>DRS</b>	<b>71S6</b>	64	323	
7.4	2790	147.92	1700	1.40			<b>57</b>	<b>DRS</b>	<b>71S6</b>	90	323	
8.5	2430	128.77	1730	1.65								
9.1	2280	120.63	1740	1.75								
10	2010	106.58	1750	1.95								
11	1870	98.99	1760	2.1								
9.1	2280	186.89	1740	1.75	X	<b>R</b> <b>RF</b> <b>RM</b>	<b>57</b>	<b>(E)DRS</b>	<b>71S4</b>	56	322	
9.9	2100	172.17	1750	1.90	X		<b>57</b>	<b>(E)DRS</b>	<b>71S4</b>	64	323	
11	1810	147.92	1760	2.2	X		<b>57</b>	<b>(E)DRS</b>	<b>71S4</b>	90	323	
13	1570	128.77	1770	2.5	X							
14	1470	120.63	1780	2.7	X							
16	1300	106.58	1780	3.0	X							
17	1210	98.99	1790	3.3	X							
19	1090	89.71	1790	3.6	X							
21	980	80.55	1790	4.0	X							
25	840	69.23	1770	4.7	X							

<b>P<sub>m</sub> = 0.33 HP</b>											
<b>n<sub>a</sub></b> <b>rpm</b>	<b>T<sub>a</sub></b> <b>lb-in</b>	<b>i</b> <b>ratio</b>	<b>F<sub>Ra</sub><sup>1)</sup></b> <b>lb</b>	<b>SEW SF</b> <b>f<sub>B</sub></b>	<b>HazLoc</b> <b>-NA<sup>®</sup></b>			<b>m</b> <b>lbs</b>			
9.6	2160	176.88	1280	1.25	X						
10	1990	162.94	1290	1.35	X						
12	1710	139.99	1320	1.55	X						
14	1490	121.87	1340	1.80	X						
15	1390	114.17	1340	1.90	X						
17	1230	100.86	1350	2.1	X						
18	1140	93.68	1360	2.3	X	R	47	(E)DRS	71S4	45	319
20	1030	84.90	1360	2.5	X	RF	47	(E)DRS	71S4	45	320
22	930	76.23	1370	2.8	X						
25	830	68.54	1370	3.2	X						
26	785	64.21	1370	3.4	X						
30	690	56.73	1330	3.8	X						
32	640	52.69	1300	4.1	X						
36	580	47.75	1260	4.5	X						
13	1650	134.82	1040	1.05	X						
14	1510	123.66	1140	1.15	X						
16	1280	105.28	1240	1.35	X						
19	1110	90.77	1270	1.60	X						
20	1030	84.61	1280	1.70	X						
23	900	73.96	1300	1.95	X						
25	840	69.33	1310	2.1	X	R	37	(E)DRS	71S4	37	316
28	745	61.18	1310	2.4	X	RF	37	(E)DRS	71S4	40	317
30	680	55.76	1280	2.6	X						
35	585	48.08	1220	3.0	X						
38	545	44.81	1200	3.2	X						
43	475	39.17	1150	3.7	X						
46	445	36.72	1130	3.9	X						
52	395	32.40	1090	4.5	X						
20	1030	84.78	870	1.10	X						
23	900	74.11	910	1.25	X						
24	850	69.47	910	1.35	X						
28	750	61.30	880	1.55	X						
30	680	55.87	860	1.70	X						
35	585	48.17	820	1.95	X	R	27	(E)DRS	71S4	24	313
38	545	44.90	810	2.1	X	RF	27	(E)DRS	71S4	24	314
43	480	39.25	780	2.4	X						
46	450	36.79	765	2.5	X						
52	395	32.47	740	2.9	X						
59	350	28.78	715	3.3	X						
69	295	24.47	680	3.8	X						
60	345	28.37	710	3.3	X						
65	315	26.09	695	3.6	X						
76	270	22.32	660	4.2	X						
88	235	19.35	635	4.9	X						
94	220	18.08	620	5.2	X						
109	191	15.63	595	6.0	X						
128	163	13.28*	565	7.1	X						
143	145	11.86	545	7.9	X						
168	124	10.13	520	8.7	X	R	27	(E)DRS	71S4	24	313
181	115	9.41	505	9.4	X	RF	27	(E)DRS	71S4	23	314
208	100	8.16	485	10	X						
223	93	7.63*	475	11	X						
258	81	6.59	450	12	X						
304	69	5.60*	430	13	X						
340	61	5.00*	415	14	X						
398	52	4.27	395	15	X						
425	49	4.00*	385	15	X						
505	41	3.37	365	17	X						
30	700	57.35	470	1.05	X						
32	655	53.76	500	1.15	X						
36	580	47.44	490	1.30	X						
38	540	44.18	485	1.40	X						
44	470	38.61	470	1.60	X	R	17	(E)DRS	71S4	22	310
47	440	36.20	465	1.70	X	RF	17	(E)DRS	71S4	22	311
53	390	31.94	450	1.90	X						
60	345	28.32	440	2.2	X						
71	290	24.07	420	2.5	X						

21933480/EN-US - 04/2018

8

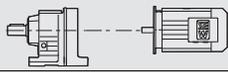
<b>P<sub>m</sub> = 0.33 HP</b>											
<b>n<sub>a</sub></b> rpm	<b>T<sub>a</sub></b> lb-in	<b>i</b> ratio	<b>F<sub>Ra</sub><sup>1)</sup></b> lb	<b>SEW SF</b> f <sub>B</sub>	<b>HazLoc</b> -NA®			<b>m</b> lbs			
167	124	19.71	335	6.0							
194	107	16.99	320	7.0							
208	100	15.84	315	7.5							
238	87	13.84	300	8.6							
254	82	12.98	295	9.2							
288	72	11.45	285	9.9							
325	64	10.15	275	11							
382	54	8.63	260	12		<b>R</b>	<b>17</b>	<b>DRS</b>	<b>71S2</b>	22	310
437	48	7.55	250	10		<b>RF</b>	<b>17</b>	<b>DRS</b>	<b>71S2</b>	21	311
469	44	7.04	245	11							
537	39	6.15	235	12							
572	36	5.76	230	13							
649	32	5.09	220	14							
732	28	4.51	210	15							
861	24	3.83	200	16							
67	305	25.23	425	2.4	X						
73	280	23.15	420	2.6	X						
86	240	19.71	400	3.1	X						
100	205	16.99	385	3.6	X	<b>R</b>	<b>17</b>	<b>(E)DRS</b>	<b>71S4</b>	22	310
107	194	15.84	380	3.9	X	<b>RF</b>	<b>17</b>	<b>(E)DRS</b>	<b>71S4</b>	21	311
123	169	13.84	365	4.4	X						
131	159	12.98	360	4.7	X						
148	140	11.45	345	5.1	X						
50	415	34.05	270	1.05	X						
58	355	29.08	260	1.25	X	<b>R</b>	<b>07</b>	<b>(E)DRS</b>	<b>71S4</b>	20	307
63	330	26.97	260	1.35	X	<b>RF</b>	<b>07</b>	<b>(E)DRS</b>	<b>71S4</b>	20	308
73	285	23.32	250	1.55	X						
78	265	21.73	250	1.65	X						
93	220	18.31	240	1.95	X						
102	200	16.73	235	2.2	X						
120	173	14.12	225	2.6	X						
141	148	12.06	220	3.0	X						
152	137	11.18	215	3.2	X						
176	118	9.67	205	3.7	X						
189	110	9.01	200	4.0	X						
216	96	7.85	195	4.5	X	<b>R</b>	<b>07</b>	<b>(E)DRS</b>	<b>71S4</b>	19	307
227	91	7.48	193	4.2	X	<b>RF</b>	<b>07</b>	<b>(E)DRS</b>	<b>71S4</b>	19	308
249	84	6.83	188	4.5	X						
295	71	5.76	179	5.0	X						
345	60	4.92	171	5.4	X						
372	56	4.57	167	5.7	X						
431	48	3.95	160	6.2	X						
462	45	3.68	157	6.5	X						
530	39	3.21	151	7.0	X						
280	74	6.07	890	5.1	X						
328	63	5.18	840	10	X						
376	55	4.53	810	13	X						
395	53	4.30*	795	13	X						
451	46	3.77	760	17	X	<b>RX</b>	<b>67</b>	<b>(E)DRS</b>	<b>71S4</b>	41	297
531	39	3.20*	720	23	X	<b>RXF</b>	<b>67</b>	<b>(E)DRS</b>	<b>71S4</b>	50	298
588	35	2.89	695	27	X						
669	31	2.54	670	34	X						
708	29	2.40*	655	37	X						
832	25	2.04	620	47	X						
309	67	5.50*	700	5.1	X						
336	62	5.07	680	5.1	X						
391	53	4.35	650	11	X						
449	46	3.79	620	13	X						
479	43	3.55*	605	14	X						
542	38	3.14	585	15	X	<b>RX</b>	<b>57</b>	<b>(E)DRS</b>	<b>71S4</b>	36	295
584	36	2.91	570	17	X	<b>RXF</b>	<b>57</b>	<b>(E)DRS</b>	<b>71S4</b>	40	296
644	32	2.64*	550	19	X						
717	29	2.37	530	21	X						
833	25	2.04	505	24	X						
885	24	1.92*	495	26	X						
1030	20	1.65	475	30	X						

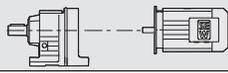
21933480/EN-US - 04/2018

**P<sub>m</sub> = 0.50 HP**

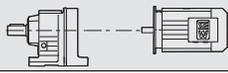
n <sub>a</sub> rpm	T <sub>a</sub> lb-in	i ratio	F <sub>Ra</sub> <sup>1)</sup> lb	SEW SF f <sub>B</sub>	HazLoc -NA®					m lbs	
<b>0.23</b>	112500	7307	14200	1.00	X						
<b>0.26</b>	99300	6447	14800	1.15	X						
<b>0.31</b>	85700	5568	15300	1.35	X						
<b>0.35</b>	77300	4926	15600	1.50	X	<b>R</b>	<b>147R77</b>	<b>(E)DRS</b>	<b>71S4</b>	930	342/346
<b>0.39</b>	67000	4325	15900	1.70	X	<b>RF</b>	<b>147R77</b>	<b>(E)DRS</b>	<b>71S4</b>	950	343/346
<b>0.45</b>	58900	3754	16100	1.95	X	<b>RM</b>	<b>147R77</b>	<b>(E)DRS</b>	<b>71S4</b>	1320	343/346
<b>0.51</b>	51100	3302	16300	2.2	X						
<b>0.59</b>	44600	2898	16400	2.6	X						
<b>0.38</b>	68700	4464	12100	1.05	X	<b>R</b>	<b>137R77</b>	<b>(E)DRS</b>	<b>71S4</b>	640	340/346
<b>0.43</b>	60500	3928	12500	1.15	X	<b>RF</b>	<b>137R77</b>	<b>(E)DRS</b>	<b>71S4</b>	690	341/346
						<b>RM</b>	<b>137R77</b>	<b>(E)DRS</b>	<b>71S4</b>	940	341/346
<b>0.42</b>	64800	4018	12300	1.10	X						
<b>0.48</b>	56600	3514	12700	1.25	X						
<b>0.51</b>	53800	3338	12800	1.30	X	<b>R</b>	<b>137R77</b>	<b>(E)DRS</b>	<b>71S4</b>	620	340/346
<b>0.58</b>	47200	2929	13000	1.50	X	<b>RF</b>	<b>137R77</b>	<b>(E)DRS</b>	<b>71S4</b>	670	341/346
<b>0.68</b>	39800	2484	13300	1.80	X	<b>RM</b>	<b>137R77</b>	<b>(E)DRS</b>	<b>71S4</b>	920	341/346
<b>0.76</b>	35600	2242	13400	2.0	X						
<b>0.64</b>	42600	2658	13200	1.65	X						
<b>0.70</b>	38600	2412	13300	1.85	X						
<b>0.82</b>	33200	2073	13400	2.1	X						
<b>0.92</b>	28600	1839	13500	2.5	X	<b>R</b>	<b>137R77</b>	<b>(E)DRS</b>	<b>71S4</b>	640	340/346
<b>1.2</b>	22200	1397	13600	3.2	X	<b>RF</b>	<b>137R77</b>	<b>(E)DRS</b>	<b>71S4</b>	690	341/346
<b>1.4</b>	19200	1226	13700	3.7	X	<b>RM</b>	<b>137R77</b>	<b>(E)DRS</b>	<b>71S4</b>	940	341/346
<b>1.6</b>	17300	1090	13700	4.1	X						
<b>1.8</b>	15100	951	13700	4.7	X						
<b>0.55</b>	45800	3110	9660	1.15	X						
<b>0.60</b>	41400	2812	9660	1.30	X						
<b>0.71</b>	35100	2383	9660	1.50	X						
<b>0.88</b>	29900	1934	9660	1.75	X	<b>R</b>	<b>127R77</b>	<b>(E)DRS</b>	<b>71S4</b>	580	338/346
<b>0.93</b>	27800	1835	9660	1.90	X	<b>RF</b>	<b>127R77</b>	<b>(E)DRS</b>	<b>71S4</b>	600	339/346
<b>1.1</b>	23500	1555	9660	2.2	X	<b>RM</b>	<b>127R77</b>	<b>(E)DRS</b>	<b>71S4</b>	810	339/346
<b>1.2</b>	21300	1444	9660	2.5	X						
<b>1.4</b>	18000	1224	9660	2.9	X						
<b>0.56</b>	49200	3056	9660	1.10	X						
<b>0.59</b>	46800	2903	9660	1.15	X						
<b>0.67</b>	41000	2547	9660	1.30	X						
<b>0.79</b>	34600	2161	9660	1.55	X						
<b>0.87</b>	31000	1951	9660	1.70	X	<b>R</b>	<b>127R77</b>	<b>(E)DRS</b>	<b>71S4</b>	540	338/346
<b>0.99</b>	26900	1716	9660	1.95	X	<b>RF</b>	<b>127R77</b>	<b>(E)DRS</b>	<b>71S4</b>	590	339/346
<b>1.1</b>	25200	1620	9660	2.1	X	<b>RM</b>	<b>127R77</b>	<b>(E)DRS</b>	<b>71S4</b>	800	339/346
<b>1.2</b>	21100	1380	9660	2.5	X						
<b>1.4</b>	19400	1210	9660	2.7	X						
<b>1.8</b>	15000	961	9660	3.5	X						
<b>2.2</b>	11800	773	9660	4.5	X						
<b>0.68</b>	40100	2506	9660	1.30	X						
<b>0.75</b>	36300	2266	9660	1.45	X						
<b>0.84</b>	31600	2016	9660	1.70	X						
<b>0.89</b>	30700	1920	9660	1.70	X						
<b>0.93</b>	28500	1823	9660	1.85	X						
<b>1.0</b>	25600	1673	9660	2.1	X						
<b>1.1</b>	24200	1545	9660	2.2	X						
<b>1.1</b>	23200	1512	9660	2.3	X						
<b>1.3</b>	19700	1322	9660	2.7	X	<b>R</b>	<b>127R77</b>	<b>(E)DRS</b>	<b>71S4</b>	570	338/346
<b>1.3</b>	19600	1282	9660	2.7	X	<b>RF</b>	<b>127R77</b>	<b>(E)DRS</b>	<b>71S4</b>	600	339/346
<b>1.4</b>	17800	1195	9660	3.0	X	<b>RM</b>	<b>127R77</b>	<b>(E)DRS</b>	<b>71S4</b>	810	339/346
<b>1.5</b>	18600	1164	9660	2.8	X						
<b>1.7</b>	15100	1013	9660	3.5	X						
<b>1.7</b>	15800	987	9660	3.4	X						
<b>1.8</b>	14600	936	9660	3.6	X						
<b>2.0</b>	12600	830	9660	4.2	X						
<b>2.1</b>	12400	794	9660	4.3	X						
<b>2.2</b>	11900	777	9660	4.5	X						
<b>2.3</b>	11400	750	9660	4.7	X						

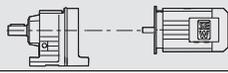
21933480/EN-US - 04/2018

<b>P<sub>m</sub> = 0.50 HP</b>								<b>m</b>			
<b>n<sub>a</sub></b> rpm	<b>T<sub>a</sub></b> lb-in	<b>i</b> ratio	<b>F<sub>Ra</sub><sup>1)</sup></b> lb	<b>SEW SF</b> f <sub>B</sub>	<b>HazLoc</b> -NA®			<b>lbs</b>			
<b>0.82</b>	33100	2067	7230	1.15	X						
<b>1.0</b>	26900	1693	7820	1.40	X	<b>R</b>	<b>107R77</b>	<b>(E)DRS</b>	<b>71S4</b>	435	336/346
<b>1.1</b>	24100	1550	8030	1.55	X	<b>RF</b>	<b>107R77</b>	<b>(E)DRS</b>	<b>71S4</b>	450	337/346
<b>1.2</b>	21900	1407	8130	1.75	X	<b>RM</b>	<b>107R77</b>	<b>(E)DRS</b>	<b>71S4</b>	640	337/346
<b>1.4</b>	18800	1209	8230	2.0	X						
<b>1.6</b>	16400	1055	8300	2.3	X						
<b>0.86</b>	31500	1987	7390	1.20	X						
<b>0.93</b>	28400	1827	7690	1.35	X	<b>R</b>	<b>107R77</b>	<b>(E)DRS</b>	<b>71S4</b>	450	336/346
<b>1.1</b>	24500	1599	8010	1.55	X	<b>RF</b>	<b>107R77</b>	<b>(E)DRS</b>	<b>71S4</b>	460	337/346
<b>1.2</b>	21800	1400	8140	1.75	X	<b>RM</b>	<b>107R77</b>	<b>(E)DRS</b>	<b>71S4</b>	660	337/346
<b>1.4</b>	18800	1226	8230	2.0	X						
<b>1.8</b>	14600	939	8340	2.6	X						
<b>2.1</b>	12600	822	8380	3.0	X						
<b>1.4</b>	19700	1207	5710	1.35	X	<b>R</b>	<b>97R57</b>	<b>(E)DRS</b>	<b>71S4</b>	280	334/346
<b>1.6</b>	17500	1084	5940	1.50	X	<b>RF</b>	<b>97R57</b>	<b>(E)DRS</b>	<b>71S4</b>	320	335/346
						<b>RM</b>	<b>97R57</b>	<b>(E)DRS</b>	<b>71S4</b>	435	335/346
<b>1.2</b>	22600	1396	4100	1.15	X						
<b>1.4</b>	19700	1228	4980	1.35	X	<b>R</b>	<b>97R57</b>	<b>(E)DRS</b>	<b>71S4</b>	285	334/346
<b>1.6</b>	17700	1069	5920	1.50	X	<b>RF</b>	<b>97R57</b>	<b>(E)DRS</b>	<b>71S4</b>	325	335/346
<b>1.8</b>	15400	938	6130	1.70	X	<b>RM</b>	<b>97R57</b>	<b>(E)DRS</b>	<b>71S4</b>	435	335/346
<b>2.1</b>	13200	824	6210	2.0	X						
<b>2.3</b>	11800	737	6260	2.2	X						
<b>2.7</b>	10100	632	6310	2.6	X						
<b>3.9</b>	6990	431	6380	3.8	X						
<b>4.5</b>	6090	379	6400	4.4	X						
<b>5.0</b>	5460	336	6410	4.9	X						
<b>2.1</b>	12800	802	3940	1.05	X	<b>R</b>	<b>87R57</b>	<b>(E)DRS</b>	<b>71S4</b>	190	331/346
<b>2.2</b>	12000	754	4070	1.15	X	<b>RF</b>	<b>87R57</b>	<b>(E)DRS</b>	<b>71S4</b>	210	332/346
<b>2.6</b>	10200	649	4300	1.35	X	<b>RM</b>	<b>87R57</b>	<b>(E)DRS</b>	<b>71S4</b>	275	332/346
<b>2.2</b>	12600	776	3980	1.10	X						
<b>2.5</b>	11100	685	4190	1.25	X	<b>R</b>	<b>87R57</b>	<b>(E)DRS</b>	<b>71S4</b>	195	331/346
<b>2.8</b>	9460	599	4380	1.45	X	<b>RF</b>	<b>87R57</b>	<b>(E)DRS</b>	<b>71S4</b>	210	332/346
<b>3.2</b>	8300	525	4490	1.65	X	<b>RM</b>	<b>87R57</b>	<b>(E)DRS</b>	<b>71S4</b>	275	332/346
<b>3.7</b>	7280	456	4490	1.90	X						
<b>6.3</b>	4220	268	4490	3.2	X						
<b>7.2</b>	3730	236	4490	3.7	X						
<b>3.2</b>	9030	538	4440	1.50	X	<b>R</b>	<b>87R57</b>	<b>(E)DRS</b>	<b>71S4</b>	190	331/346
<b>3.6</b>	7870	472	4490	1.75	X	<b>RF</b>	<b>87R57</b>	<b>(E)DRS</b>	<b>71S4</b>	205	332/346
<b>4.2</b>	6610	400	4490	2.1	X	<b>RM</b>	<b>87R57</b>	<b>(E)DRS</b>	<b>71S4</b>	270	332/346
<b>4.7</b>	5930	361	4490	2.3	X						
<b>4.6</b>	6160	373	2460	1.20	X						
<b>5.2</b>	5400	327	2580	1.35	X	<b>R</b>	<b>77R37</b>	<b>(E)DRS</b>	<b>71S4</b>	110	328/346
<b>5.9</b>	4810	289	2670	1.50	X	<b>RF</b>	<b>77R37</b>	<b>(E)DRS</b>	<b>71S4</b>	120	329/346
<b>6.5</b>	4290	260	2730	1.70	X	<b>RM</b>	<b>77R37</b>	<b>(E)DRS</b>	<b>71S4</b>	175	329/346
<b>7.6</b>	3610	224	2800	2.0	X						
<b>8.7</b>	3170	197	2840	2.3	X						
<b>10</b>	2780	169	2870	2.6	X						
<b>11</b>	2420	149	2890	3.0	X						
<b>5.8</b>	4730	294	1860	1.10	X	<b>R</b>	<b>67R37</b>	<b>(E)DRS</b>	<b>71S4</b>	96	325/346
<b>6.5</b>	4290	261	1960	1.25	X	<b>RF</b>	<b>67R37</b>	<b>(E)DRS</b>	<b>71S4</b>	105	326/346
<b>7.3</b>	3850	234	2040	1.40	X	<b>RM</b>	<b>67R37</b>	<b>(E)DRS</b>	<b>71S4</b>	140	326/346
<b>8.5</b>	3260	200	2140	1.65	X						
<b>3.8</b>	8300	289.74	6350	3.2		<b>R</b>	<b>97</b>	<b>DRS</b>	<b>71M6</b>	240	334
<b>4.3</b>	7320	255.71	6370	3.6		<b>RF</b>	<b>97</b>	<b>DRS</b>	<b>71M6</b>	280	335
<b>4.6</b>	6910	241.25	6380	3.8		<b>RM</b>	<b>97</b>	<b>DRS</b>	<b>71M6</b>	390	335
<b>5.1</b>	6190	216.28	6390	4.3							
<b>4.5</b>	7060	246.54	4490	1.95							
<b>5.1</b>	6200	216.54	4490	2.2		<b>R</b>	<b>87</b>	<b>DRS</b>	<b>71M6</b>	150	331
<b>5.3</b>	5890	205.71	4490	2.3		<b>RF</b>	<b>87</b>	<b>DRS</b>	<b>71M6</b>	165	332
<b>6.0</b>	5200	181.77	4490	2.6		<b>RM</b>	<b>87</b>	<b>DRS</b>	<b>71M6</b>	230	332
<b>7.1</b>	4450	155.34	4490	3.1							
<b>7.7</b>	4080	142.41	4490	3.4							
<b>6.6</b>	4770	166.59	2670	1.50		<b>R</b>	<b>77</b>	<b>DRS</b>	<b>71M6</b>	90	328
<b>7.5</b>	4170	145.67	2740	1.75		<b>RF</b>	<b>77</b>	<b>DRS</b>	<b>71M6</b>	100	329
<b>8.0</b>	3960	138.39	2760	1.85		<b>RM</b>	<b>77</b>	<b>DRS</b>	<b>71M6</b>	155	329

<b>P<sub>m</sub> = 0.50 HP</b>											
<b>n<sub>a</sub></b> <b>rpm</b>	<b>T<sub>a</sub></b> <b>lb-in</b>	<b>i</b> <b>ratio</b>	<b>F<sub>Ra</sub><sup>1)</sup></b> <b>lb</b>	<b>SEW SF</b> <b>f<sub>B</sub></b>	<b>HazLoc</b> <b>-NA<sup>®</sup></b>			<b>m</b> <b>lbs</b>			
8.7	3620	195.24*	2800	2.0	X						
10	3080	166.59	2840	2.4	X						
12	2700	145.67	2870	2.7	X	<b>R</b>	<b>77</b>	<b>(E)DRS</b>	<b>71S4</b>	87	328
12	2560	138.39	2880	2.8	X	<b>RF</b>	<b>77</b>	<b>(E)DRS</b>	<b>71S4</b>	99	329
14	2250	121.42	2900	3.2	X	<b>RM</b>	<b>77</b>	<b>(E)DRS</b>	<b>71S4</b>	155	329
17	1900	102.99	2920	3.8	X						
18	1720	92.97	2920	4.2	X						
7.0	4530	158.14	1900	1.15		<b>R</b>	<b>67</b>	<b>DRS</b>	<b>71M6</b>	74	325
8.0	3940	137.67	2030	1.35		<b>RF</b>	<b>67</b>	<b>DRS</b>	<b>71M6</b>	81	326
8.5	3690	128.97	2070	1.45		<b>RM</b>	<b>67</b>	<b>DRS</b>	<b>71M6</b>	115	326
9.7	3260	113.94	2140	1.65							
8.5	3700	199.81	2070	1.45	X						
9.2	3410	184.07	2120	1.55	X						
11	2930	158.14	2190	1.80	X						
12	2550	137.67	2230	2.1	X						
13	2390	128.97	2250	2.2	X						
15	2110	113.94	2280	2.5	X	<b>R</b>	<b>67</b>	<b>(E)DRS</b>	<b>71S4</b>	71	325
16	1960	105.83	2290	2.7	X	<b>RF</b>	<b>67</b>	<b>(E)DRS</b>	<b>71S4</b>	78	326
18	1770	95.91	2300	3.0	X	<b>RM</b>	<b>67</b>	<b>(E)DRS</b>	<b>71S4</b>	115	326
20	1590	86.11	2320	3.3	X						
23	1370	74.17	2330	3.9	X						
24	1290	69.75	2340	4.1	X						
28	1130	61.26	2340	4.7	X						
30	1050	56.89	2350	5.0	X						
8.5	3690	128.77	1630	1.10		<b>R</b>	<b>57</b>	<b>DRS</b>	<b>71M6</b>	59	322
9.1	3450	120.63	1650	1.15		<b>RF</b>	<b>57</b>	<b>DRS</b>	<b>71M6</b>	67	323
10	3050	106.58	1680	1.30		<b>RM</b>	<b>57</b>	<b>DRS</b>	<b>71M6</b>	93	323
11	2830	98.99	1700	1.40							
9.1	3460	186.89	1650	1.15	X						
9.9	3190	172.17	1670	1.25	X						
11	2740	147.92	1710	1.45	X						
13	2380	128.77	1730	1.65	X						
14	2230	120.63	1740	1.80	X						
16	1970	106.58	1750	2.0	X						
17	1830	98.99	1760	2.2	X	<b>R</b>	<b>57</b>	<b>(E)DRS</b>	<b>71S4</b>	56	322
19	1660	89.71	1770	2.4	X	<b>RF</b>	<b>57</b>	<b>(E)DRS</b>	<b>71S4</b>	64	323
21	1490	80.55	1780	2.7	X	<b>RM</b>	<b>57</b>	<b>(E)DRS</b>	<b>71S4</b>	90	323
25	1280	69.23	1730	3.1	X						
26	1200	64.85	1700	3.3	X						
30	1060	57.29	1640	3.8	X						
32	980	53.22	1600	4.0	X						
35	890	48.23	1560	4.5	X						
12	2590	139.99	1160	1.00	X						
14	2260	121.87	1270	1.15	X						
15	2110	114.17	1280	1.25	X						
17	1870	100.86	1310	1.40	X						
18	1730	93.68	1320	1.55	X						
20	1570	84.90	1330	1.70	X						
22	1410	76.23	1340	1.90	X						
25	1270	68.54	1350	2.1	X	<b>R</b>	<b>47</b>	<b>(E)DRS</b>	<b>71S4</b>	45	319
26	1190	64.21	1340	2.2	X	<b>RF</b>	<b>47</b>	<b>(E)DRS</b>	<b>71S4</b>	45	320
30	1050	56.73	1290	2.5	X						
32	970	52.69	1270	2.7	X						
36	880	47.75	1230	3.0	X						
40	795	42.87	1190	3.3	X						
46	680	36.93	1140	3.9	X						
49	640	34.73	1120	4.1	X						
50	625	33.79	1110	3.4	X						
55	575	31.12	1090	3.4	X	<b>R</b>	<b>47</b>	<b>(E)DRS</b>	<b>71S4</b>	44	319
64	495	26.74	1040	5.3	X	<b>RF</b>	<b>47</b>	<b>(E)DRS</b>	<b>71S4</b>	44	320
73	430	23.28	990	6.2	X						
78	400	21.81	970	6.6	X						

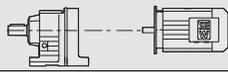
21933480/EN-US - 04/2018

<b>P<sub>m</sub> = 0.50 HP</b>								<b>m lbs</b>			
<b>n<sub>a</sub></b> rpm	<b>T<sub>a</sub></b> lb-in	<b>i</b> ratio	<b>F<sub>Ra</sub><sup>1)</sup></b> lb	<b>SEW SF</b> f <sub>B</sub>	<b>HazLoc</b> -NA <sup>®</sup>						
19	1680	90.77	1010	1.05	X	<b>R</b> <b>RF</b>	<b>37</b> <b>37</b>	<b>(E)DRS</b> <b>(E)DRS</b>	<b>71S4</b> <b>71S4</b>	<b>37</b> <b>40</b>	<b>316</b> <b>317</b>
20	1560	84.61	1100	1.15	X						
23	1370	73.96	1220	1.30	X						
25	1280	69.33	1240	1.40	X						
28	1130	61.18	1260	1.55	X						
30	1030	55.76	1230	1.70	X						
35	890	48.08	1190	2.0	X						
38	830	44.81	1160	2.1	X						
43	725	39.17	1120	2.4	X						
46	680	36.72	1100	2.6	X						
52	600	32.40	1060	2.9	X						
59	530	28.73	1020	3.3	X						
70	450	24.42	980	3.9	X						
60	525	28.32	1020	3.4	X						
65	480	26.03	1000	3.4	X						
76	410	22.27	950	4.3	X						
88	355	19.31	910	4.9	X						
94	330	18.05	890	5.3	X						
109	285	15.60	850	6.1	X						
128	245	13.25	810	6.8	X						
144	215	11.83	785	7.4	X	<b>R</b> <b>RF</b>	<b>27</b> <b>27</b>	<b>(E)DRS</b> <b>(E)DRS</b>	<b>71S4</b> <b>71S4</b>	<b>24</b> <b>24</b>	<b>313</b> <b>314</b>
28	1130	61.30	800	1.00	X						
30	1030	55.87	810	1.10	X						
35	890	48.17	785	1.30	X						
38	830	44.90	775	1.40	X						
43	725	39.25	750	1.60	X						
46	680	36.79	735	1.70	X						
52	600	32.47	715	1.90	X						
59	530	28.78	690	2.1	X						
69	450	24.47	660	2.5	X						
60	525	28.37	690	2.2	X	<b>R</b> <b>RF</b>	<b>27</b> <b>27</b>	<b>(E)DRS</b> <b>(E)DRS</b>	<b>71S4</b> <b>71S4</b>	<b>24</b> <b>23</b>	<b>313</b> <b>314</b>
65	480	26.09	670	2.4	X						
76	410	22.32	645	2.8	X						
88	355	19.35	620	3.2	X						
94	335	18.08	605	3.4	X						
109	285	15.63	580	4.0	X						
128	245	13.28*	555	4.7	X						
44	715	38.61	425	1.05	X	<b>R</b> <b>RF</b>	<b>17</b> <b>17</b>	<b>(E)DRS</b> <b>(E)DRS</b>	<b>71S4</b> <b>71S4</b>	<b>22</b> <b>22</b>	<b>310</b> <b>311</b>
47	670	36.20	425	1.10	X						
53	590	31.94	415	1.25	X						
60	525	28.32	405	1.45	X						
71	445	24.07	395	1.70	X						
208	151	15.84	305	5.0		<b>R</b> <b>RF</b>	<b>17</b> <b>17</b>	<b>DRS</b> <b>DRS</b>	<b>71S2</b> <b>71S2</b>	<b>22</b> <b>21</b>	<b>310</b> <b>311</b>
238	132	13.84	295	5.7							
254	124	12.98	290	6.1							
288	109	11.45	280	6.5							
325	97	10.15	270	7.0							
382	82	8.63	255	7.7							
437	72	7.55	245	6.9							
469	67	7.04	240	7.2							
537	59	6.15	230	8.1							
572	55	5.76	225	8.5							
649	49	5.09	215	9.3							
732	43	4.51	210	9.9							
861	37	3.83	199	11							

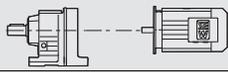
<b>P<sub>m</sub> = 0.50 HP</b>									
<b>n<sub>a</sub></b> rpm	<b>T<sub>a</sub></b> lb-in	<b>i</b> ratio	<b>F<sub>Ra</sub><sup>1)</sup></b> lb	<b>SEW SF</b> f <sub>B</sub>	<b>HazLoc</b> -NA®			<b>m</b> lbs	
67	465	25.23	400	1.60	X				
73	425	23.15	390	1.75	X				
86	365	19.71	380	2.1	X				
100	315	16.99	365	2.4	X				
107	290	15.84	360	2.6	X				
123	255	13.84	350	2.9	X				
131	240	12.98	345	3.1	X				
148	210	11.45	335	3.4	X				
167	188	10.15	325	3.6	X	<b>R</b>	<b>17</b>	<b>(E)DRS</b>	<b>71S4</b>
197	160	8.63	310	4.0	X	<b>RF</b>	<b>17</b>	<b>(E)DRS</b>	<b>71S4</b>
225	140	7.55	290	3.5	X			22	310
242	131	7.04	285	3.7	X			21	311
276	114	6.15	275	4.2	X				
295	107	5.76	270	4.4	X				
334	94	5.09	260	4.8	X				
377	84	4.51	255	5.1	X				
443	71	3.83	240	5.6	X				
93	335	18.31	220	1.30	X				
102	310	16.73	215	1.45	X				
120	260	14.12	210	1.70	X				
141	220	12.06	205	2.0	X				
152	205	11.18	200	2.1	X				
176	179	9.67	194	2.5	X				
189	167	9.01	191	2.6	X				
216	146	7.85	185	3.0	X	<b>R</b>	<b>07</b>	<b>(E)DRS</b>	<b>71S4</b>
227	139	7.48	184	2.7	X	<b>RF</b>	<b>07</b>	<b>(E)DRS</b>	<b>71S4</b>
249	127	6.83	180	3.0	X			19	307
295	107	5.76	172	3.3	X			19	308
345	91	4.92	165	3.6	X				
372	85	4.57	162	3.8	X				
431	73	3.95	156	4.1	X				
462	68	3.68	153	4.3	X				
530	59	3.21	147	4.6	X				
280	113	6.07	880	3.4	X				
328	96	5.18	840	6.9	X				
376	84	4.53	800	8.6	X				
395	80	4.30*	790	8.9	X				
451	70	3.77	755	11	X	<b>RX</b>	<b>67</b>	<b>(E)DRS</b>	<b>71S4</b>
531	59	3.20*	720	15	X	<b>RXF</b>	<b>67</b>	<b>(E)DRS</b>	<b>71S4</b>
588	54	2.89	695	18	X			41	297
669	47	2.54	665	22	X			50	298
708	45	2.40*	655	24	X				
832	38	2.04	620	31	X				
309	102	5.50*	695	3.4	X				
336	94	5.07	675	3.4	X				
391	81	4.35	645	7.5	X				
449	70	3.79	615	8.7	X				
479	66	3.55*	605	9.3	X				
542	58	3.14	580	9.9	X	<b>RX</b>	<b>57</b>	<b>(E)DRS</b>	<b>71S4</b>
584	54	2.91	565	11	X	<b>RXF</b>	<b>57</b>	<b>(E)DRS</b>	<b>71S4</b>
644	49	2.64*	550	12	X			36	295
717	44	2.37	530	14	X			40	296
833	38	2.04	505	16	X				
885	36	1.92*	495	17	X				
1030	31	1.65	470	20	X				

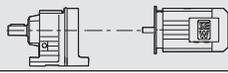
21933480/EN-US - 04/2018

<b>P<sub>m</sub> = 0.75 HP</b>											
<b>n<sub>a</sub></b> rpm	<b>T<sub>a</sub></b> lb-in	<b>i</b> ratio	<b>F<sub>Ra</sub><sup>1)</sup></b> lb	<b>SEW SF</b> f <sub>B</sub>	<b>HazLoc</b> -NA®					<b>m</b> lbs	
<b>0.28</b>	138100	6077	27000	1.15	X						
<b>0.31</b>	122900	5407	27000	1.30	X	<b>R</b>	<b>167R97</b>	<b>(E)DRS</b>	<b>71M4</b>	1660	344/346
<b>0.36</b>	104100	4650	27000	1.55	X	<b>RF</b>	<b>167R97</b>	<b>(E)DRS</b>	<b>71M4</b>	1680	345/346
<b>0.41</b>	90100	4129	27000	1.75	X	<b>RM</b>	<b>167R97</b>	<b>(E)DRS</b>	<b>71M4</b>	2110	345/346
<b>0.39</b>	104900	4325	14600	1.10	X						
<b>0.45</b>	91900	3754	15100	1.25	X	<b>R</b>	<b>147R77</b>	<b>(E)DRS</b>	<b>71M4</b>	940	342/346
<b>0.51</b>	80100	3302	15500	1.45	X	<b>RF</b>	<b>147R77</b>	<b>(E)DRS</b>	<b>71M4</b>	950	343/346
<b>0.58</b>	70000	2898	15800	1.65	X	<b>RM</b>	<b>147R77</b>	<b>(E)DRS</b>	<b>71M4</b>	1320	343/346
<b>0.66</b>	63600	2555	16000	1.80	X						
<b>0.76</b>	55000	2211	16200	2.1	X						
<b>0.87</b>	48600	1951	16300	2.4	X	<b>R</b>	<b>147R77</b>	<b>(E)DRS</b>	<b>71M4</b>	930	342/346
<b>0.99</b>	41300	1705	16400	2.8	X	<b>RF</b>	<b>147R77</b>	<b>(E)DRS</b>	<b>71M4</b>	950	343/346
<b>1.1</b>	36900	1536	16500	3.1	X	<b>RM</b>	<b>147R77</b>	<b>(E)DRS</b>	<b>71M4</b>	1320	343/346
<b>1.3</b>	32000	1329	16600	3.6	X						
<b>1.4</b>	27700	1166	16600	4.1	X						
<b>0.68</b>	61900	2484	12400	1.15	X	<b>R</b>	<b>137R77</b>	<b>(E)DRS</b>	<b>71M4</b>	620	340/346
						<b>RF</b>	<b>137R77</b>	<b>(E)DRS</b>	<b>71M4</b>	670	341/346
						<b>RM</b>	<b>137R77</b>	<b>(E)DRS</b>	<b>71M4</b>	920	341/346
<b>0.64</b>	66200	2658	12200	1.05	X						
<b>0.70</b>	60100	2412	12500	1.20	X						
<b>0.82</b>	51600	2073	12900	1.35	X						
<b>0.92</b>	45000	1839	13100	1.55	X						
<b>1.1</b>	38400	1598	13300	1.85	X	<b>R</b>	<b>137R77</b>	<b>(E)DRS</b>	<b>71M4</b>	640	340/346
<b>1.2</b>	34600	1397	13400	2.0	X	<b>RF</b>	<b>137R77</b>	<b>(E)DRS</b>	<b>71M4</b>	690	341/346
<b>1.4</b>	30100	1226	13500	2.4	X	<b>RM</b>	<b>137R77</b>	<b>(E)DRS</b>	<b>71M4</b>	940	341/346
<b>1.6</b>	27000	1090	13600	2.6	X						
<b>1.8</b>	23500	951	13600	3.0	X						
<b>2.0</b>	20000	831	13700	3.5	X						
<b>0.87</b>	46900	1934	9660	1.15	X						
<b>0.92</b>	43900	1835	9660	1.20	X	<b>R</b>	<b>127R77</b>	<b>(E)DRS</b>	<b>71M4</b>	580	338/346
<b>1.1</b>	37200	1555	9660	1.45	X	<b>RF</b>	<b>127R77</b>	<b>(E)DRS</b>	<b>71M4</b>	600	339/346
<b>1.2</b>	33900	1444	9660	1.55	X	<b>RM</b>	<b>127R77</b>	<b>(E)DRS</b>	<b>71M4</b>	810	339/346
<b>1.4</b>	28800	1224	9660	1.85	X						
<b>0.78</b>	53800	2161	9660	1.00	X						
<b>0.87</b>	48300	1951	9660	1.10	X						
<b>0.98</b>	42100	1716	9660	1.25	X						
<b>1.0</b>	39600	1620	9660	1.35	X						
<b>1.2</b>	33400	1380	9660	1.60	X	<b>R</b>	<b>127R77</b>	<b>(E)DRS</b>	<b>71M4</b>	540	338/346
<b>1.4</b>	30100	1210	9660	1.75	X	<b>RF</b>	<b>127R77</b>	<b>(E)DRS</b>	<b>71M4</b>	590	339/346
<b>1.8</b>	23600	961	9660	2.2	X	<b>RM</b>	<b>127R77</b>	<b>(E)DRS</b>	<b>71M4</b>	800	339/346
<b>2.2</b>	18700	773	9660	2.8	X						
<b>2.8</b>	14400	608	9660	3.7	X						
<b>3.5</b>	12300	490	9660	4.3	X						
<b>0.84</b>	49500	2016	9660	1.05	X						
<b>0.88</b>	47800	1920	9660	1.10	X						
<b>0.93</b>	44700	1823	9660	1.20	X						
<b>1.0</b>	40500	1673	9660	1.30	X						
<b>1.1</b>	37900	1545	9660	1.40	X						
<b>1.1</b>	36600	1512	9660	1.45	X						
<b>1.3</b>	31400	1322	9660	1.70	X						
<b>1.3</b>	31000	1282	9660	1.70	X						
<b>1.4</b>	28400	1195	9660	1.85	X						
<b>1.4</b>	29000	1164	9660	1.85	X	<b>R</b>	<b>127R77</b>	<b>(E)DRS</b>	<b>71M4</b>	580	338/346
<b>1.7</b>	24100	1013	9660	2.2	X	<b>RF</b>	<b>127R77</b>	<b>(E)DRS</b>	<b>71M4</b>	600	339/346
<b>1.7</b>	24500	987	9660	2.2	X	<b>RM</b>	<b>127R77</b>	<b>(E)DRS</b>	<b>71M4</b>	810	339/346
<b>1.8</b>	23000	936	9660	2.3	X						
<b>2.0</b>	19900	830	9660	2.7	X						
<b>2.1</b>	19500	794	9660	2.7	X						
<b>2.2</b>	18800	777	9660	2.8	X						
<b>2.2</b>	18000	750	9660	2.9	X						
<b>2.6</b>	15900	659	9660	3.3	X						
<b>2.7</b>	15300	636	9660	3.5	X						
<b>2.8</b>	14600	614	9660	3.6	X						
<b>3.2</b>	12300	521	9660	4.3	X						

<b>P<sub>m</sub> = 0.75 HP</b>							<b>m lbs</b>				
<b>n<sub>a</sub> rpm</b>	<b>T<sub>a</sub> lb-in</b>	<b>i ratio</b>	<b>F<sub>Ra</sub><sup>1)</sup> lb</b>	<b>SEW SF f<sub>B</sub></b>	<b>HazLoc -NA<sup>®</sup></b>						
1.2	34400	1407	7080	1.10	X	<b>R</b> <b>RF</b> <b>RM</b>	<b>107R77</b> <b>107R77</b> <b>107R77</b>	<b>(E)DRS</b> <b>(E)DRS</b> <b>(E)DRS</b>	<b>71M4</b> <b>71M4</b> <b>71M4</b>	440	336/346
1.4	29500	1209	7590	1.30	X						
1.6	25800	1055	7910	1.45	X						
1.8	22500	919	8110	1.70	X						
2.1	20100	815	8190	1.90	X						
2.4	17600	717	8260	2.2	X						
2.7	15300	626	8320	2.5	X						
1.2	34200	1400	7100	1.10	X	<b>R</b> <b>RF</b> <b>RM</b>	<b>107R77</b> <b>107R77</b> <b>107R77</b>	<b>(E)DRS</b> <b>(E)DRS</b> <b>(E)DRS</b>	<b>71M4</b> <b>71M4</b> <b>71M4</b>	450	336/346
1.4	29700	1226	7570	1.30	X						
1.5	26500	1104	7850	1.45	X						
1.8	22900	939	8100	1.65	X						
2.1	19900	822	8200	1.90	X						
2.0	20500	824	4730	1.30	X	<b>R</b> <b>RF</b> <b>RM</b>	<b>97R57</b> <b>97R57</b> <b>97R57</b>	<b>(E)DRS</b> <b>(E)DRS</b> <b>(E)DRS</b>	<b>71M4</b> <b>71M4</b> <b>71M4</b>	290	334/346
2.3	18300	737	5380	1.45	X						
2.7	15700	632	6110	1.70	X						
3.0	13600	560	6200	1.95	X						
3.5	11800	484	6260	2.2	X						
3.9	10800	431	6290	2.5	X						
4.5	9460	379	6330	2.8	X						
5.0	8440	336	6350	3.1	X						
5.7	7380	296	6370	3.6	X						
6.8	6120	249	6400	4.3	X						
3.2	12900	525	3090	1.05	X	<b>R</b> <b>RF</b> <b>RM</b>	<b>87R57</b> <b>87R57</b> <b>87R57</b>	<b>(E)DRS</b> <b>(E)DRS</b> <b>(E)DRS</b>	<b>71M4</b> <b>71M4</b> <b>71M4</b>	195	331/346
3.7	11300	456	4170	1.20	X						
4.2	9760	398	4360	1.40	X						
4.8	8660	352	4470	1.60	X						
5.5	7430	305	4490	1.85	X						
3.6	12100	472	4060	1.15	X	<b>R</b> <b>RF</b> <b>RM</b>	<b>87R57</b> <b>87R57</b> <b>87R57</b>	<b>(E)DRS</b> <b>(E)DRS</b> <b>(E)DRS</b>	<b>71M4</b> <b>71M4</b> <b>71M4</b>	195	331/346
4.2	10200	400	4310	1.35	X						
4.7	9180	361	4420	1.50	X						
6.1	7090	276	2270	1.00	X	<b>R</b> <b>RF</b> <b>RM</b>	<b>77R37</b> <b>77R37</b> <b>77R37</b>	<b>(E)DRS</b> <b>(E)DRS</b> <b>(E)DRS</b>	<b>71M4</b> <b>71M4</b> <b>71M4</b>	110	328/346
7.2	6030	236	2480	1.20	X						
7.6	5630	221	2550	1.30	X						
9.1	4710	186	2680	1.55	X						
3.9	12200	289.74	6250	2.2		<b>R</b> <b>RF</b> <b>RM</b>	<b>97</b> <b>97</b> <b>97</b>	<b>DRS</b> <b>DRS</b> <b>DRS</b>	<b>80S6</b> <b>80S6</b> <b>80S6</b>	245	334
4.4	10700	255.71	6290	2.5							
4.6	10100	241.25	6310	2.6							
5.2	9130	216.28	6340	2.9							
5.8	8100	289.74	6360	3.3	X	<b>R</b> <b>RF</b> <b>RM</b>	<b>97</b> <b>97</b> <b>97</b>	<b>(E)DRS</b> <b>(E)DRS</b> <b>(E)DRS</b>	<b>71M4</b> <b>71M4</b> <b>71M4</b>	240	334
6.6	7150	255.71	6380	3.7	X						
7.0	6750	241.25	6380	3.9	X						
7.8	6050	216.28	6400	4.4	X						
4.5	10400	246.54	4030	1.30		<b>R</b> <b>RF</b> <b>RM</b>	<b>87</b> <b>87</b> <b>87</b>	<b>DRS</b> <b>DRS</b> <b>DRS</b>	<b>80S6</b> <b>80S6</b> <b>80S6</b>	155	331
5.2	9140	216.54	4430	1.50							
5.4	8680	205.71	4470	1.60							
6.2	7670	181.77	4490	1.80							
7.2	6550	155.34	4490	2.1							
6.8	6890	246.54	4490	2.0	X	<b>R</b> <b>RF</b> <b>RM</b>	<b>87</b> <b>87</b> <b>87</b>	<b>(E)DRS</b> <b>(E)DRS</b> <b>(E)DRS</b>	<b>71M4</b> <b>71M4</b> <b>71M4</b>	150	331
7.8	6050	216.54	4490	2.3	X						
8.2	5750	205.71	4490	2.4	X						
9.3	5080	181.77	4490	2.7	X						
11	4340	155.34	4490	3.2	X						
12	3980	142.41	4490	3.4	X						
14	3490	124.97	4490	3.9	X						
14	3310	118.43*	4490	4.1	X						
16	2900	103.65	4490	4.7	X						
10	4660	166.59	2680	1.55	X						
12	4070	145.67	2750	1.80	X						
12	3870	138.39	2770	1.85	X						
14	3390	121.42	2820	2.1	X						
16	2880	102.99	2860	2.5	X						
18	2600	92.97	2880	2.8	X						
21	2280	81.80	2900	3.2	X						
22	2160	77.24	2910	3.4	X						
26	1840	65.77	2920	3.9	X						

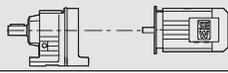
21933480/EN-US - 04/2018

<b>P<sub>m</sub> = 0.75 HP</b>									
<b>n<sub>a</sub></b> <b>rpm</b>	<b>T<sub>a</sub></b> <b>lb-in</b>	<b>i</b> <b>ratio</b>	<b>F<sub>Ra</sub><sup>1)</sup></b> <b>lb</b>	<b>SEW SF</b> <b>f<sub>B</sub></b>	<b>HazLoc</b> <b>-NA<sup>®</sup></b>			<b>m</b> <b>lbs</b>	
11	4420	158.14	1930	1.20	X				
12	3850	137.67	2040	1.40	X				
13	3600	128.97	2090	1.45	X				
15	3180	113.94	2150	1.65	X				
16	2960	105.83	2180	1.80	X	<b>R</b>	<b>67</b>	<b>(E)DRS 71M4</b>	<b>74 325</b>
18	2680	95.91	2220	2.0	X	<b>RF</b>	<b>67</b>	<b>(E)DRS 71M4</b>	<b>81 326</b>
20	2400	86.11	2250	2.2	X	<b>RM</b>	<b>67</b>	<b>(E)DRS 71M4</b>	<b>115 326</b>
23	2070	74.17	2280	2.6	X				
24	1950	69.75	2290	2.7	X				
28	1710	61.26	2310	3.1	X				
30	1590	56.89	2320	3.3	X				
14	3370	120.63	1660	1.20	X				
16	2980	106.58	1690	1.35	X				
17	2760	98.99	1710	1.45	X				
19	2510	89.71	1720	1.60	X				
21	2250	80.55	1740	1.75	X				
24	1930	69.23	1680	2.1	X	<b>R</b>	<b>57</b>	<b>(E)DRS 71M4</b>	<b>59 322</b>
26	1810	64.85	1650	2.2	X	<b>RF</b>	<b>57</b>	<b>(E)DRS 71M4</b>	<b>67 323</b>
30	1600	57.29	1590	2.5	X	<b>RM</b>	<b>57</b>	<b>(E)DRS 71M4</b>	<b>93 323</b>
32	1480	53.22	1560	2.7	X				
35	1340	48.23	1520	3.0	X				
39	1210	43.30	1470	3.3	X				
45	1040	37.30*	1410	3.8	X				
48	980	35.07	1390	4.1	X				
64	735	26.31	1280	5.4	X	<b>R</b>	<b>57</b>	<b>(E)DRS 71M4</b>	<b>57 322</b>
68	695	24.99*	1260	5.7	X	<b>RF</b>	<b>57</b>	<b>(E)DRS 71M4</b>	<b>65 323</b>
77	610	21.93	1210	6.5	X	<b>RM</b>	<b>57</b>	<b>(E)DRS 71M4</b>	<b>91 323</b>
91	520	18.60*	1150	7.7	X				
18	2620	93.68	1140	1.00	X				
20	2370	84.90	1250	1.10	X				
22	2130	76.23	1280	1.25	X				
25	1910	68.54	1300	1.40	X				
26	1790	64.21	1290	1.50	X				
30	1580	56.73	1250	1.65	X	<b>R</b>	<b>47</b>	<b>(E)DRS 71M4</b>	<b>48 319</b>
32	1470	52.69	1220	1.80	X	<b>RF</b>	<b>47</b>	<b>(E)DRS 71M4</b>	<b>48 320</b>
35	1330	47.75	1190	2.0	X				
39	1190	42.87	1160	2.2	X				
46	1030	36.93	1110	2.6	X				
49	970	34.73	1090	2.7	X				
57	830	29.88	1050	3.2	X				
63	745	26.74	1020	3.5	X	<b>R</b>	<b>47</b>	<b>(E)DRS 71M4</b>	<b>46 319</b>
73	650	23.28	980	4.1	X	<b>RF</b>	<b>47</b>	<b>(E)DRS 71M4</b>	<b>47 320</b>
78	610	21.81	960	4.3	X				
28	1710	61.18	990	1.05	X				
30	1560	55.76	1100	1.15	X				
35	1340	48.08	1130	1.30	X				
38	1250	44.81	1110	1.40	X				
43	1090	39.17	1080	1.60	X	<b>R</b>	<b>37</b>	<b>(E)DRS 71M4</b>	<b>39 316</b>
46	1020	36.72	1060	1.70	X	<b>RF</b>	<b>37</b>	<b>(E)DRS 71M4</b>	<b>43 317</b>
52	900	32.40	1030	1.95	X				
59	800	28.73	990	2.2	X				
69	680	24.42	950	2.6	X				
76	620	22.27	930	2.8	X				
88	540	19.31	890	3.3	X				
94	500	18.05	870	3.5	X	<b>R</b>	<b>37</b>	<b>(E)DRS 71M4</b>	<b>39 316</b>
108	435	15.60	840	4.0	X	<b>RF</b>	<b>37</b>	<b>(E)DRS 71M4</b>	<b>42 317</b>
128	370	13.25	800	4.5	X				
143	330	11.83	770	4.9	X				
43	1090	39.25	705	1.05	X				
46	1020	36.79	695	1.10	X	<b>R</b>	<b>27</b>	<b>(E)DRS 71M4</b>	<b>27 313</b>
52	900	32.47	675	1.25	X	<b>RF</b>	<b>27</b>	<b>(E)DRS 71M4</b>	<b>26 314</b>
59	800	28.78	660	1.45	X				
69	680	24.47	635	1.70	X				

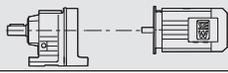
<b>P<sub>m</sub> = 0.75 HP</b>									
<b>n<sub>a</sub></b> rpm	<b>T<sub>a</sub></b> lb-in	<b>i</b> ratio	<b>F<sub>Ra</sub><sup>1)</sup></b> lb	<b>SEW SF</b> f <sub>B</sub>	<b>HazLoc</b> -NA <sup>®</sup>			<b>m</b> lbs	
76	620	22.32	620	1.85	X				
87	540	19.35	595	2.1	X				
93	505	18.08	585	2.3	X				
108	435	15.63	565	2.6	X				
127	370	13.28*	540	3.1	X				
143	330	11.86	525	3.4	X				
167	280	10.13	500	3.8	X				
180	260	9.41	485	4.1	X	<b>R</b>	<b>27</b>	<b>(E)DRS 71M4</b>	26 313
207	225	8.16	465	4.5	X	<b>RF</b>	<b>27</b>	<b>(E)DRS 71M4</b>	26 314
222	210	7.63*	455	4.6	X				
256	184	6.59	435	5.1	X				
302	157	5.60*	415	5.6	X				
338	140	5.00*	405	6.0	X				
396	120	4.27	385	6.4	X				
422	112	4.00*	375	6.7	X				
502	94	3.37	355	7.4	X				
86	550	19.71	345	1.35	X				
99	475	16.99	340	1.60	X				
107	440	15.84	335	1.70	X				
122	385	13.84	325	1.95	X				
130	360	12.98	320	2.1	X				
148	320	11.45	315	2.2	X				
166	280	10.15	305	2.4	X	<b>R</b>	<b>17</b>	<b>(E)DRS 71M4</b>	24 310
196	240	8.63	295	2.6	X	<b>RF</b>	<b>17</b>	<b>(E)DRS 71M4</b>	24 311
224	210	7.55	275	2.4	X				
240	197	7.04	270	2.5	X				
275	172	6.15	265	2.8	X				
293	161	5.76	260	2.9	X				
332	142	5.09	250	3.2	X				
375	126	4.51	245	3.4	X				
441	107	3.83	235	3.7	X				
396	119	8.63	245	5.3		<b>R</b>	<b>17</b>	<b>DRS 71M2</b>	24 310
453	104	7.55	235	4.8		<b>RF</b>	<b>17</b>	<b>DRS 71M2</b>	24 311
486	97	7.04	230	5.0					
556	85	6.15	220	5.6					
593	80	5.76	215	5.9					
672	70	5.09	210	6.4					
758	62	4.51	200	6.8					
892	53	3.83	193	7.5					
326	145	5.18	830	4.6	X				
373	127	4.53	800	5.7	X				
393	120	4.30*	785	5.9	X				
448	106	3.77	755	7.3	X				
528	90	3.20*	715	9.9	X	<b>RX</b>	<b>67</b>	<b>(E)DRS 71M4</b>	44 297
585	81	2.89	690	12	X	<b>RXF</b>	<b>67</b>	<b>(E)DRS 71M4</b>	53 298
665	71	2.54	665	15	X				
704	67	2.40*	650	16	X				
827	57	2.04	620	21	X				
910	52	1.86	600	21	X				
1050	45	1.61	570	22	X				
388	122	4.35	640	4.9	X				
446	106	3.79	610	5.8	X				
476	99	3.55*	600	6.2	X				
539	88	3.14	575	6.5	X				
580	81	2.91	560	7.3	X				
640	74	2.64*	545	8.3	X	<b>RX</b>	<b>57</b>	<b>(E)DRS 71M4</b>	38 295
713	66	2.37	525	9.2	X	<b>RXF</b>	<b>57</b>	<b>(E)DRS 71M4</b>	43 296
828	57	2.04	500	11	X				
880	54	1.92*	490	11	X				
1025	46	1.65	470	13	X				
1145	41	1.48	450	15	X				
1295	37	1.30	435	15	X				

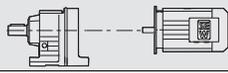
21933480/EN-US - 04/2018

<b>P<sub>m</sub> = 1.0 HP</b>											
<b>n<sub>a</sub></b> rpm	<b>T<sub>a</sub></b> lb-in	<b>i</b> ratio	<b>F<sub>Ra</sub><sup>1)</sup></b> lb	<b>SEW SF</b> f <sub>B</sub>	<b>HazLoc</b> -NA <sup>®</sup>					<b>m</b> lbs	
<b>0.38</b>	138400	4650	27000	1.15	X	<b>R</b>	<b>167R97</b>	<b>(E)DRN</b>	<b>80M4</b>	1670	344/346
<b>0.42</b>	120500	4129	27000	1.30	X	<b>RF</b>	<b>167R97</b>	<b>(E)DRN</b>	<b>80M4</b>	1690	345/346
<b>0.47</b>	105500	3692	27000	1.50	X	<b>RM</b>	<b>167R97</b>	<b>(E)DRN</b>	<b>80M4</b>	2120	345/346
<b>0.66</b>	82200	2657	27000	1.95	X						
<b>0.75</b>	70200	2333	27000	2.3	X	<b>R</b>	<b>167R97</b>	<b>(E)DRN</b>	<b>80M4</b>	1670	344/346
<b>0.84</b>	61600	2085	27000	2.6	X	<b>RF</b>	<b>167R97</b>	<b>(E)DRN</b>	<b>80M4</b>	1680	345/346
<b>0.93</b>	54300	1877	27000	2.9	X	<b>RM</b>	<b>167R97</b>	<b>(E)DRN</b>	<b>80M4</b>	2110	345/346
<b>1.2</b>	44500	1438	27000	3.6	X						
<b>0.53</b>	104700	3302	14600	1.10	X	<b>R</b>	<b>147R77</b>	<b>(E)DRN</b>	<b>80M4</b>	950	342/346
<b>0.60</b>	91600	2898	15100	1.25	X	<b>RF</b>	<b>147R77</b>	<b>(E)DRN</b>	<b>80M4</b>	960	343/346
						<b>RM</b>	<b>147R77</b>	<b>(E)DRN</b>	<b>80M4</b>	1330	343/346
<b>0.69</b>	82800	2555	15400	1.40	X						
<b>0.79</b>	71700	2211	15800	1.60	X						
<b>0.90</b>	63200	1951	16000	1.80	X	<b>R</b>	<b>147R77</b>	<b>(E)DRN</b>	<b>80M4</b>	940	342/346
<b>1.0</b>	54100	1705	16200	2.1	X	<b>RF</b>	<b>147R77</b>	<b>(E)DRN</b>	<b>80M4</b>	960	343/346
<b>1.1</b>	48500	1536	16300	2.4	X	<b>RM</b>	<b>147R77</b>	<b>(E)DRN</b>	<b>80M4</b>	1330	343/346
<b>1.3</b>	41900	1329	16400	2.7	X						
<b>1.5</b>	36500	1166	16500	3.1	X						
<b>0.94</b>	59600	1863	12500	1.20	X						
<b>1.1</b>	50300	1586	12900	1.40	X						
<b>1.3</b>	45100	1391	13100	1.55	X	<b>R</b>	<b>137R77</b>	<b>(E)DRN</b>	<b>80M4</b>	630	340/346
<b>1.4</b>	40500	1256	13200	1.75	X	<b>RF</b>	<b>137R77</b>	<b>(E)DRN</b>	<b>80M4</b>	680	341/346
<b>1.6</b>	35400	1105	13400	2.0	X	<b>RM</b>	<b>137R77</b>	<b>(E)DRN</b>	<b>80M4</b>	930	341/346
<b>1.7</b>	33300	1043	13400	2.1	X						
<b>2.0</b>	28200	888	13500	2.5	X						
<b>0.84</b>	67200	2073	12200	1.05	X						
<b>0.95</b>	58800	1839	12600	1.20	X						
<b>1.1</b>	50400	1598	12900	1.40	X						
<b>1.2</b>	45100	1397	13100	1.55	X	<b>R</b>	<b>137R77</b>	<b>(E)DRN</b>	<b>80M4</b>	650	340/346
<b>1.4</b>	39300	1226	13300	1.80	X	<b>RF</b>	<b>137R77</b>	<b>(E)DRN</b>	<b>80M4</b>	700	341/346
<b>1.6</b>	35200	1090	13400	2.0	X	<b>RM</b>	<b>137R77</b>	<b>(E)DRN</b>	<b>80M4</b>	950	341/346
<b>1.8</b>	30700	951	13500	2.3	X						
<b>2.1</b>	26200	831	13600	2.7	X						
<b>2.4</b>	22800	730	13600	3.1	X						
<b>1.1</b>	48800	1555	9660	1.10	X	<b>R</b>	<b>127R77</b>	<b>(E)DRN</b>	<b>80M4</b>	590	338/346
<b>1.2</b>	44700	1444	9660	1.20	X	<b>RF</b>	<b>127R77</b>	<b>(E)DRN</b>	<b>80M4</b>	610	339/346
<b>1.4</b>	37800	1224	9660	1.40	X	<b>RM</b>	<b>127R77</b>	<b>(E)DRN</b>	<b>80M4</b>	830	339/346
<b>1.1</b>	51800	1620	9660	1.00	X						
<b>1.3</b>	43800	1380	9660	1.20	X	<b>R</b>	<b>127R77</b>	<b>(E)DRN</b>	<b>80M4</b>	550	338/346
<b>1.4</b>	39200	1210	9660	1.35	X	<b>RF</b>	<b>127R77</b>	<b>(E)DRN</b>	<b>80M4</b>	600	339/346
<b>1.8</b>	30800	961	9660	1.70	X	<b>RM</b>	<b>127R77</b>	<b>(E)DRN</b>	<b>80M4</b>	810	339/346
<b>2.3</b>	24500	773	9660	2.2	X						
<b>2.9</b>	19000	608	9660	2.8	X						
<b>1.1</b>	53100	1673	9660	1.00	X						
<b>1.1</b>	49500	1545	9660	1.05	X						
<b>1.2</b>	48000	1512	9660	1.10	X						
<b>1.3</b>	41400	1322	9660	1.30	X						
<b>1.4</b>	40700	1282	9660	1.30	X						
<b>1.5</b>	37400	1195	9660	1.40	X						
<b>1.5</b>	37700	1164	9660	1.40	X						
<b>1.7</b>	31800	1034	9660	1.65	X						
<b>1.7</b>	31700	1013	9660	1.65	X						
<b>1.8</b>	32000	987	9660	1.65	X						
<b>1.9</b>	30000	936	9660	1.75	X	<b>R</b>	<b>127R77</b>	<b>(E)DRN</b>	<b>80M4</b>	590	338/346
<b>1.9</b>	28700	935	9660	1.85	X	<b>RF</b>	<b>127R77</b>	<b>(E)DRN</b>	<b>80M4</b>	610	339/346
<b>2.1</b>	26200	830	9660	2.0	X	<b>RM</b>	<b>127R77</b>	<b>(E)DRN</b>	<b>80M4</b>	820	339/346
<b>2.2</b>	25400	794	9660	2.1	X						
<b>2.2</b>	24400	792	9660	2.2	X						
<b>2.2</b>	24600	777	9660	2.1	X						
<b>2.3</b>	23700	750	9660	2.2	X						
<b>2.7</b>	20900	659	9660	2.5	X						
<b>2.7</b>	19900	642	9660	2.7	X						
<b>2.8</b>	20000	636	9660	2.6	X						
<b>2.9</b>	19200	614	9660	2.8	X						
<b>3.0</b>	18000	581	9660	2.9	X						
<b>3.4</b>	16300	521	9660	3.3	X						

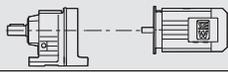
<b>P<sub>m</sub> = 1.0 HP</b>											
<b>n<sub>a</sub></b> <b>rpm</b>	<b>T<sub>a</sub></b> <b>lb-in</b>	<b>i</b> <b>ratio</b>	<b>F<sub>Ra</sub><sup>1)</sup></b> <b>lb</b>	<b>SEW SF</b> <b>f<sub>B</sub></b>	<b>HazLoc</b> <b>-NA<sup>®</sup></b>		<b>m</b> <b>lbs</b>				
3.6	15200	492	9660	3.5	X	R	127R77	(E)DRN	80M4	590	338/346
3.6	14700	480	9660	3.6	X	RF	127R77	(E)DRN	80M4	610	339/346
4.3	12500	407	9660	4.2	X	RM	127R77	(E)DRN	80M4	820	339/346
4.5	12100	386	9660	4.4	X						
3.6	16100	490	9660	3.3	X	R	127R77	(E)DRN	80M4	550	338/346
4.4	12800	394	9660	4.1	X	RF	127R77	(E)DRN	80M4	600	339/346
5.3	10500	327	9660	5.0	X	RM	127R77	(E)DRN	80M4	810	339/346
1.7	33700	1055	7160	1.15	X						
1.9	29400	919	7590	1.30	X	R	107R77	(E)DRN	80M4	450	336/346
2.1	26300	815	7870	1.45	X	RF	107R77	(E)DRN	80M4	465	337/346
2.4	23000	717	8100	1.65	X	RM	107R77	(E)DRN	80M4	660	337/346
2.8	20000	626	8190	1.90	X						
3.3	16500	528	8290	2.3	X						
1.6	34800	1104	7030	1.10	X						
1.9	30000	939	7540	1.25	X						
2.1	26000	822	7890	1.45	X						
2.9	19000	614	8220	2.0	X	R	107R77	(E)DRN	80M4	460	336/346
3.2	16700	544	8290	2.3	X	RF	107R77	(E)DRN	80M4	475	337/346
3.6	15100	492	8330	2.5	X	RM	107R77	(E)DRN	80M4	670	337/346
4.2	12800	417	8380	3.0	X						
4.8	11600	369	8400	3.3	X						
5.4	10100	323	8420	3.8	X						
3.7	15300	469	8320	2.5	X	R	107R77	(E)DRN	80M4	450	336/346
4.1	13900	426	8350	2.7	X	RF	107R77	(E)DRN	80M4	460	337/346
						RM	107R77	(E)DRN	80M4	660	337/346
2.3	24300	755	5080	1.10	X	R	97R57	(E)DRN	80M4	295	334/346
						RF	97R57	(E)DRN	80M4	335	335/346
						RM	97R57	(E)DRN	80M4	445	335/346
2.4	23900	737	3720	1.10	X						
2.8	20500	632	5620	1.30	X						
3.1	17800	560	5910	1.50	X						
3.6	15500	484	6120	1.70	X	R	97R57	(E)DRN	80M4	300	334/346
4.1	14000	431	6180	1.90	X	RF	97R57	(E)DRN	80M4	340	335/346
4.6	12300	379	6250	2.2	X	RM	97R57	(E)DRN	80M4	450	335/346
5.2	10900	336	6290	2.4	X						
5.9	9610	296	6320	2.8	X						
7.0	7990	249	6360	3.3	X						
2.8	20900	625	5570	1.25	X						
3.2	18200	549	5870	1.45	X						
3.8	15400	466	6130	1.70	X						
4.2	13800	420	6190	1.90	X	R	97R57	(E)DRN	80M4	295	334/346
4.7	12100	370	6250	2.2	X	RF	97R57	(E)DRN	80M4	330	335/346
5.0	11400	349	6270	2.3	X	RM	97R57	(E)DRN	80M4	445	335/346
5.9	9690	297	6320	2.7	X						
6.5	8770	270	6340	3.0	X						
4.4	12700	398	3960	1.05	X						
5.0	11300	352	4170	1.20	X						
5.7	9730	305	4360	1.40	X	R	87R57	(E)DRN	80M4	205	331/346
6.5	8610	268	4480	1.60	X	RF	87R57	(E)DRN	80M4	225	332/346
7.4	7600	236	4490	1.80	X	RM	87R57	(E)DRN	80M4	290	332/346
8.4	6610	209	4490	2.1	X						
4.4	13200	400	3880	1.05	X						
4.8	11900	361	4090	1.15	X						
5.8	9840	300	4350	1.40	X	R	87R57	(E)DRN	80M4	205	331/346
6.8	8330	256	4490	1.65	X	RF	87R57	(E)DRN	80M4	220	332/346
7.5	7540	232	4490	1.80	X	RM	87R57	(E)DRN	80M4	285	332/346
9.0	6430	195	4490	2.1	X						
8.9	6390	197	2410	1.15	X	R	77R37	(E)DRN	80M4	120	328/346
10	5560	169	2560	1.30	X	RF	77R37	(E)DRN	80M4	135	329/346
12	4870	149	2660	1.50	X	RM	77R37	(E)DRN	80M4	190	329/346
9.4	6130	186	2460	1.20	X	R	77R37	(E)DRN	80M4	120	328/346
						RF	77R37	(E)DRN	80M4	130	329/346
						RM	77R37	(E)DRN	80M4	185	329/346

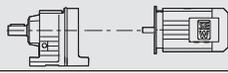
21933480/EN-US - 04/2018

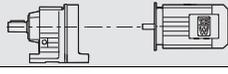
<b>P<sub>m</sub> = 1.0 HP</b>								<b>m</b>			
<b>n<sub>a</sub></b> rpm	<b>T<sub>a</sub></b> lb-in	<b>i</b> ratio	<b>F<sub>Ra</sub><sup>1)</sup></b> lb	<b>SEW SF</b> f <sub>B</sub>	<b>HazLoc</b> -NA <sup>®</sup>		<b>lbs</b>				
11	5130	158	1750	1.05	X	<b>R</b>	<b>67R37</b>	<b>(E)DRN</b>	<b>80M4</b>	110	325/346
						<b>RF</b>	<b>67R37</b>	<b>(E)DRN</b>	<b>80M4</b>	115	326/346
						<b>RM</b>	<b>67R37</b>	<b>(E)DRN</b>	<b>80M4</b>	150	326/346
4.6	13800	255.71	6190	1.90							
4.8	13000	241.25	6220	2.0		<b>R</b>	<b>97</b>	<b>DRN</b>	<b>90S6</b>	260	334
5.4	11600	216.28	6260	2.3		<b>RF</b>	<b>97</b>	<b>DRN</b>	<b>90S6</b>	300	335
6.2	10000	186.30	6310	2.6		<b>RM</b>	<b>97</b>	<b>DRN</b>	<b>90S6</b>	410	335
6.8	9190	170.02	6330	2.9							
6.0	10400	289.74	6300	2.5	X						
6.8	9200	255.71	6330	2.9	X						
7.3	8680	241.25	6350	3.1	X	<b>R</b>	<b>97</b>	<b>(E)DRN</b>	<b>80M4</b>	250	334
8.1	7780	216.28	6370	3.4	X	<b>RF</b>	<b>97</b>	<b>(E)DRN</b>	<b>80M4</b>	285	335
9.4	6700	186.30	6390	4.0	X	<b>RM</b>	<b>97</b>	<b>(E)DRN</b>	<b>80M4</b>	400	335
10	6110	170.02	6400	4.3	X						
5.4	11700	216.54	3550	1.15							
5.7	11100	205.71	3770	1.25							
6.4	9830	181.77	4240	1.40							
7.5	8400	155.34	4490	1.65		<b>R</b>	<b>87</b>	<b>DRN</b>	<b>90S6</b>	170	331
8.2	7700	142.41	4490	1.80		<b>RF</b>	<b>87</b>	<b>DRN</b>	<b>90S6</b>	185	332
9.3	6750	124.97	4490	2.0		<b>RM</b>	<b>87</b>	<b>DRN</b>	<b>90S6</b>	250	332
9.8	6400	118.43*	4490	2.1							
11	5600	103.65	4490	2.5							
12	5050	93.38	4490	2.7							
7.1	8870	246.54	4450	1.55	X						
8.1	7790	216.54	4490	1.75	X						
8.5	7400	205.71	4490	1.85	X						
9.6	6540	181.77	4490	2.1	X						
11	5580	155.34	4490	2.5	X	<b>R</b>	<b>87</b>	<b>(E)DRN</b>	<b>80M4</b>	160	331
12	5120	142.41	4490	2.7	X	<b>RF</b>	<b>87</b>	<b>(E)DRN</b>	<b>80M4</b>	175	332
14	4490	124.97	4490	3.0	X	<b>RM</b>	<b>87</b>	<b>(E)DRN</b>	<b>80M4</b>	240	332
15	4260	118.43*	4490	3.2	X						
17	3720	103.65	4490	3.7	X						
19	3360	93.38	4490	4.1	X						
9.6	6560	121.42	2380	1.10							
11	5560	102.99	2560	1.30							
13	5020	92.97	2640	1.45							
14	4420	81.80	2710	1.65		<b>R</b>	<b>77</b>	<b>DRN</b>	<b>90S6</b>	110	328
15	4170	77.24	2740	1.75		<b>RF</b>	<b>77</b>	<b>DRN</b>	<b>90S6</b>	125	329
18	3550	65.77	2800	2.0		<b>RM</b>	<b>77</b>	<b>DRN</b>	<b>90S6</b>	180	329
20	3110	57.68	2840	2.3							
22	2810	52.07	2870	2.6							
25	2470	45.81	2890	2.9							
11	5990	166.59	2490	1.20	X						
12	5240	145.67	2610	1.40	X						
13	4970	138.39	2640	1.45	X						
14	4360	121.42	2720	1.65	X						
17	3700	102.99	2790	1.95	X						
19	3340	92.97	2820	2.2	X	<b>R</b>	<b>77</b>	<b>(E)DRN</b>	<b>80M4</b>	100	328
21	2940	81.80	2860	2.5	X	<b>RF</b>	<b>77</b>	<b>(E)DRN</b>	<b>80M4</b>	115	329
23	2770	77.24	2870	2.6	X	<b>RM</b>	<b>77</b>	<b>(E)DRN</b>	<b>80M4</b>	170	329
27	2360	65.77	2890	3.1	X						
30	2070	57.68	2910	3.5	X						
34	1870	52.07	2920	3.9	X						
38	1640	45.81	2920	4.4	X						
40	1550	43.26	2920	4.7	X						
12	5180	95.91	1730	1.00							
14	4650	86.11	1870	1.15							
16	4010	74.17	2010	1.30							
17	3770	69.75	2060	1.40							
19	3310	61.26	2130	1.60							
20	3070	56.89	2170	1.75		<b>R</b>	<b>67</b>	<b>DRN</b>	<b>90S6</b>	98	325
23	2780	51.56	2200	1.90		<b>RF</b>	<b>67</b>	<b>DRN</b>	<b>90S6</b>	105	326
25	2500	46.29	2240	2.1		<b>RM</b>	<b>67</b>	<b>DRN</b>	<b>90S6</b>	140	326
29	2150	39.88*	2270	2.4							
31	2020	37.50	2280	2.5							
36	1740	32.27	2310	2.7							
40	1550	28.83	2320	3.0							

<b>P<sub>m</sub> = 1.0 HP</b>											
<b>n<sub>a</sub></b> <b>rpm</b>	<b>T<sub>a</sub></b> <b>lb-in</b>	<b>i</b> <b>ratio</b>	<b>F<sub>Ra</sub><sup>1)</sup></b> <b>lb</b>	<b>SEW SF</b> <b>f<sub>B</sub></b>	<b>HazLoc</b> <b>-NA<sup>®</sup></b>			<b>m</b> <b>lbs</b>			
13	4950	137.67	1800	1.05	X						
14	4640	128.97	1880	1.15	X						
15	4090	113.94	2000	1.30	X						
17	3800	105.83	2050	1.40	X						
18	3450	95.91	2110	1.55	X						
20	3090	86.11	2160	1.70	X	<b>R</b>	<b>67</b>	<b>(E)DRN</b>	<b>80M4</b>	84	325
24	2660	74.17	2220	2.0	X	<b>RF</b>	<b>67</b>	<b>(E)DRN</b>	<b>80M4</b>	91	326
25	2500	69.75	2240	2.1	X	<b>RM</b>	<b>67</b>	<b>(E)DRN</b>	<b>80M4</b>	125	326
29	2200	61.26	2270	2.4	X						
31	2040	56.89	2280	2.6	X						
34	1850	51.56	2300	2.9	X						
38	1660	46.29	2310	3.2	X						
17	3740	69.23	1620	1.05		<b>R</b>	<b>57</b>	<b>DRN</b>	<b>90S6</b>	84	322
18	3500	64.85	1640	1.15		<b>RF</b>	<b>57</b>	<b>DRN</b>	<b>90S6</b>	91	323
20	3090	57.29	1680	1.30		<b>RM</b>	<b>57</b>	<b>DRN</b>	<b>90S6</b>	120	323
22	2870	53.22	1660	1.40							
24	2600	48.23	1620	1.55							
27	2340	43.30	1580	1.70							
31	2010	37.30*	1520	1.95							
33	1890	35.07	1500	2.1							
39	1630	30.18	1440	2.4							
43	1450	26.97	1400	2.7							
16	3830	106.58	1610	1.05	X						
18	3560	98.99	1640	1.10	X						
20	3220	89.71	1670	1.25	X						
22	2890	80.55	1660	1.35	X						
25	2490	69.23	1600	1.60	X						
27	2330	64.85	1580	1.70	X	<b>R</b>	<b>57</b>	<b>(E)DRN</b>	<b>80M4</b>	70	322
31	2060	57.29	1530	1.95	X	<b>RF</b>	<b>57</b>	<b>(E)DRN</b>	<b>80M4</b>	77	323
33	1910	53.22	1500	2.1	X	<b>RM</b>	<b>57</b>	<b>(E)DRN</b>	<b>80M4</b>	105	323
36	1730	48.23	1470	2.3	X						
40	1550	43.30	1420	2.6	X						
47	1340	37.30*	1370	3.0	X						
50	1260	35.07	1350	3.1	X						
58	1080	30.18	1290	3.7	X						
65	970	26.97	1250	4.1	X						
67	940	26.31	1240	4.2	X	<b>R</b>	<b>57</b>	<b>(E)DRN</b>	<b>80M4</b>	68	322
70	890	24.99*	1220	4.4	X	<b>RF</b>	<b>57</b>	<b>(E)DRN</b>	<b>80M4</b>	75	323
80	785	21.93	1180	5.0	X	<b>RM</b>	<b>57</b>	<b>(E)DRN</b>	<b>80M4</b>	100	323
94	665	18.60*	1120	6.0	X						
24	2580	47.75	1170	1.05		<b>R</b>	<b>47</b>	<b>DRN</b>	<b>90S6</b>	72	319
27	2310	42.87	1220	1.15		<b>RF</b>	<b>47</b>	<b>DRN</b>	<b>90S6</b>	73	320
32	1990	36.93	1180	1.35							
34	1870	34.73	1170	1.40							
39	1610	29.88	1130	1.65							
44	1440	26.70	1090	1.85							
49	1270	23.59	1060	2.1							
26	2460	68.54	1240	1.10	X						
27	2310	64.21	1220	1.15	X						
31	2040	56.73	1190	1.30	X						
33	1890	52.69	1170	1.40	X	<b>R</b>	<b>47</b>	<b>(E)DRN</b>	<b>80M4</b>	58	319
37	1710	47.75	1140	1.55	X	<b>RF</b>	<b>47</b>	<b>(E)DRN</b>	<b>80M4</b>	59	320
41	1540	42.87	1110	1.70	X						
47	1320	36.93	1070	2.0	X						
50	1240	34.73	1050	2.1	X						
59	1070	29.88	1010	2.5	X						
66	960	26.70	980	2.8	X						
74	840	23.59	950	3.1	X						
65	960	26.74	980	2.8	X	<b>R</b>	<b>47</b>	<b>(E)DRN</b>	<b>80M4</b>	57	319
75	830	23.28	950	3.2	X	<b>RF</b>	<b>47</b>	<b>(E)DRN</b>	<b>80M4</b>	57	320
80	780	21.81	930	3.4	X						
91	690	19.27	900	3.8	X						
98	640	17.89	880	4.0	X						
108	580	16.22	850	4.2	X						
41	1550	28.73	1050	1.15		<b>R</b>	<b>37</b>	<b>DRN</b>	<b>90S6</b>	63	316
48	1320	24.42	1010	1.35		<b>RF</b>	<b>37</b>	<b>DRN</b>	<b>90S6</b>	66	317

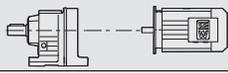
21933480/EN-US - 04/2018

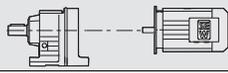
<b>P<sub>m</sub> = 1.0 HP</b>							<b>m</b> <b>lbs</b>				
<b>n<sub>a</sub></b> <b>rpm</b>	<b>T<sub>a</sub></b> <b>lb-in</b>	<b>i</b> <b>ratio</b>	<b>F<sub>Ra</sub><sup>1)</sup></b> <b>lb</b>	<b>SEW SF</b> <b>f<sub>B</sub></b>	<b>HazLoc</b> <b>-NA<sup>®</sup></b>						
36	1720	48.08	980	1.00	X	R RF	37	(E)DRN (E)DRN	80M4 80M4	50	316
39	1610	44.81	1060	1.10	X						
45	1400	39.17	1030	1.25	X						
48	1320	36.72	1010	1.35	X						
54	1160	32.40	980	1.50	X						
61	1030	28.73	950	1.70	X						
72	870	24.42	920	2.0	X						
79	800	22.27	890	2.2	X						
91	690	19.31	860	2.5	X						
97	645	18.05	850	2.7	X						
112	560	15.60	810	3.1	X	R RF	37	(E)DRN (E)DRN	80M4 80M4	49	316
132	475	13.25	775	3.5	X						
148	425	11.83	750	3.8	X						
173	360	10.11	715	4.1	X						
185	340	9.47	705	4.3	X						
61	1030	28.78	620	1.10	X						
72	880	24.47	600	1.30	X						
78	800	22.32	590	1.45	X						
91	695	19.35	570	1.65	X						
97	650	18.08	560	1.75	X						
112	560	15.63	540	2.0	X						
132	475	13.28*	520	2.4	X						
148	425	11.86	505	2.7	X						
173	360	10.13	485	3.0	X						
186	335	9.41	465	3.2	X						
215	290	8.16	450	3.5	X						
230	270	7.63*	440	3.6	X						
266	235	6.59	425	4.0	X						
313	200	5.60*	405	4.3	X						
350	180	5.00*	390	4.7	X						
89	705	19.71	310	1.05	X	R RF	17	(E)DRN (E)DRN	80M4 80M4	34	310
103	610	16.99	310	1.25	X						
111	565	15.84	305	1.30	X						
126	495	13.84	300	1.50	X						
135	465	12.98	300	1.60	X						
153	410	11.45	295	1.75	X						
172	365	10.15	285	1.85	X						
203	310	8.63	280	2.0	X						
232	270	7.55	260	1.80	X						
249	250	7.04	255	1.90	X						
285	220	6.15	250	2.2	X						
304	205	5.76	245	2.3	X						
344	183	5.09	240	2.5	X						
388	162	4.51	235	2.6	X						
457	138	3.83	225	2.9	X						
176	355	19.71	285	2.1							
205	305	16.99	280	2.4							
219	285	15.84	275	2.6							
251	250	13.84	265	3.0							
268	235	12.98	260	3.2							
304	205	11.45	255	3.5							
342	184	10.15	250	3.7							
403	156	8.63	240	4.1							
461	137	7.55	225	3.6							
494	127	7.04	220	3.8							
565	111	6.15	215	4.3							
603	104	5.76	210	4.5							
683	92	5.09	205	4.9							
771	82	4.51	196	5.2							
907	69	3.83	188	5.7							
						R RF	17 17	DRN DRN	80MS2 80MS2	34 34	310 311

<b>P<sub>m</sub> = 1.0 HP</b>									
n <sub>a</sub> rpm	T <sub>a</sub> lb-in	i ratio	F <sub>Ra</sub> <sup>1)</sup> lb	SEW SF f <sub>B</sub>	HazLoc -NA <sup>®</sup>			m lbs	
338	186	5.18	820	3.6	X				
387	163	4.53	780	4.5	X				
407	155	4.30*	770	4.6	X				
464	136	3.77	740	5.7	X				
547	115	3.20*	700	7.7	X				
606	104	2.89	680	9.0	X	RX	67	(E)DRN 80M4	55 297
689	91	2.54	650	11	X	RXF	67	(E)DRN 80M4	64 298
730	86	2.40*	640	13	X				
857	74	2.04	605	16	X				
943	67	1.86	590	17	X				
1090	58	1.61	560	17	X				
402	157	4.35	625	3.8	X				
462	136	3.79	595	4.5	X				
493	128	3.55*	585	4.8	X				
558	113	3.14	565	5.1	X				
601	105	2.91	550	5.7	X				
663	95	2.64*	535	6.4	X	RX	57	(E)DRN 80M4	49 295
739	85	2.37	515	7.2	X	RXF	57	(E)DRN 80M4	53 296
858	73	2.04	490	8.3	X				
912	69	1.92*	480	8.8	X				
1060	59	1.65	460	10	X				
1185	53	1.48	445	11	X				
1340	47	1.30	425	12	X				

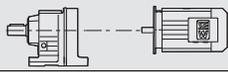
<b>P<sub>m</sub> = 1.5 HP</b>									
n <sub>a</sub> rpm	T <sub>a</sub> lb-in	i ratio	F <sub>Ra</sub> <sup>1)</sup> lb	SEW SF f <sub>B</sub>	HazLoc -NA <sup>®</sup>			m lbs	
0.66	126400	2657	27000	1.25	X				
0.76	109000	2333	27000	1.45	X				
0.85	96200	2085	27000	1.65	X	R	167R97	(E)DRN 90S4	1680 344/346
0.94	85400	1877	27000	1.85	X	RF	167R97	(E)DRN 90S4	1690 345/346
1.1	76000	1670	27000	2.1	X	RM	167R97	(E)DRN 90S4	2120 345/346
1.2	68400	1438	27000	2.3	X				
1.4	60800	1279	27000	2.6	X				
1.6	52400	1123	27000	3.0	X				
0.80	108400	2211	14400	1.05	X				
0.90	95700	1951	15000	1.20	X				
1.0	82400	1705	15400	1.40	X				
1.1	74000	1536	15700	1.55	X				
1.3	64000	1329	16000	1.80	X	R	147R77	(E)DRN 90S4	950 342/346
1.5	55900	1166	16200	2.1	X	RF	147R77	(E)DRN 90S4	970 343/346
1.7	49000	1029	16300	2.3	X	RM	147R77	(E)DRN 90S4	1340 343/346
2.0	42600	889	16400	2.7	X				
2.2	37300	784	16500	3.1	X				
2.5	32900	695	16600	3.5	X				
1.3	68200	1391	12100	1.05	X				
1.4	61400	1256	12500	1.15	X				
1.6	53800	1105	12800	1.30	X	R	137R77	(E)DRN 90S4	640 340/346
1.7	50700	1043	12900	1.40	X	RF	137R77	(E)DRN 90S4	700 341/346
2.0	42900	888	13200	1.65	X	RM	137R77	(E)DRN 90S4	940 341/346
2.5	33500	699	13400	2.1	X				
2.9	29000	609	13500	2.4	X				
1.3	68300	1397	12100	1.05	X				
1.4	59700	1226	12500	1.20	X				
1.6	53300	1090	12800	1.35	X				
1.9	46500	951	13000	1.50	X	R	137R77	(E)DRN 90S4	660 340/346
2.1	40000	831	13200	1.75	X	RF	137R77	(E)DRN 90S4	710 341/346
2.4	34900	730	13400	2.0	X	RM	137R77	(E)DRN 90S4	960 341/346
2.8	29800	629	13500	2.4	X				
3.1	27100	560	13500	2.6	X				
3.6	23200	490	13600	3.0	X				
3.1	27900	564	13500	2.5	X	R	137R77	(E)DRN 90S4	640 340/346
3.4	25500	517	13600	2.8	X	RF	137R77	(E)DRN 90S4	690 341/346
						RM	137R77	(E)DRN 90S4	940 341/346

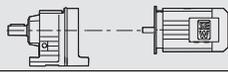
21933480/EN-US - 04/2018

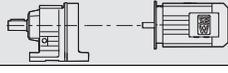
<b>P<sub>m</sub> = 1.5 HP</b>												
<b>n<sub>a</sub></b> <b>rpm</b>	<b>T<sub>a</sub></b> <b>lb-in</b>	<b>i</b> <b>ratio</b>	<b>F<sub>Ra</sub><sup>1)</sup></b> <b>lb</b>	<b>SEW SF</b> <b>f<sub>B</sub></b>	<b>HazLoc</b> <b>-NA<sup>®</sup></b>					<b>m</b> <b>lbs</b>		
1.8	46800	961	9660	1.15	X	R	127R77	(E)DRN	90S4	560	338/346	
2.3	37300	773	9660	1.40	X	RF	127R77	(E)DRN	90S4	610	339/346	
2.9	29100	608	9660	1.80	X	RM	127R77	(E)DRN	90S4	820	339/346	
1.7	49000	1034	9660	1.10	X							
1.7	48500	1013	9660	1.10	X							
1.8	48400	987	9660	1.10	X							
1.9	45600	936	9660	1.15	X							
1.9	44300	935	9660	1.20	X							
2.1	40000	830	9660	1.35	X							
2.2	38600	794	9660	1.35	X							
2.2	37500	792	9660	1.40	X							
2.3	37500	777	9660	1.40	X							
2.4	36100	750	9660	1.45	X							
2.7	31800	659	9660	1.65	X	R	127R77	(E)DRN	90S4	600	338/346	
2.7	30600	642	9660	1.75	X	RF	127R77	(E)DRN	90S4	620	339/346	
2.8	30600	636	9660	1.75	X	RM	127R77	(E)DRN	90S4	830	339/346	
2.9	29400	614	9660	1.80	X							
3.0	27700	581	9660	1.90	X							
3.4	24900	521	9660	2.1	X							
3.6	23400	492	9660	2.3	X							
3.7	22700	480	9660	2.3	X							
4.3	19300	407	9660	2.8	X							
4.6	18500	386	9660	2.9	X							
5.9	14200	298	9660	3.7	X							
7.0	12000	253	9660	4.4	X							
3.6	24300	490	9660	2.2	X	R	127R77	(E)DRN	90S4	560	338/346	
4.5	19400	394	9660	2.7	X	RF	127R77	(E)DRN	90S4	610	339/346	
5.4	16000	327	9660	3.3	X	RM	127R77	(E)DRN	90S4	820	339/346	
6.8	12500	259	9660	4.2	X							
2.5	34900	717	7020	1.10	X	R	107R77	(E)DRN	90S4	460	336/346	
2.8	30400	626	7500	1.25	X	RF	107R77	(E)DRN	90S4	475	337/346	
3.3	25300	528	7950	1.50	X	RM	107R77	(E)DRN	90S4	670	337/346	
2.9	29200	614	7610	1.30	X							
3.2	25800	544	7910	1.45	X							
3.6	23300	492	8080	1.65	X							
4.2	19700	417	8200	1.90	X	R	107R77	(E)DRN	90S4	475	336/346	
4.8	17700	369	8260	2.1	X	RF	107R77	(E)DRN	90S4	485	337/346	
5.5	15500	323	8320	2.5	X	RM	107R77	(E)DRN	90S4	680	337/346	
6.2	13600	285	8360	2.8	X							
7.0	11900	253	8390	3.2	X							
3.8	23200	469	8090	1.65	X							
4.1	21100	426	8160	1.80	X	R	107R77	(E)DRN	90S4	460	336/346	
4.7	18600	377	8240	2.0	X	RF	107R77	(E)DRN	90S4	470	337/346	
5.4	15900	325	8310	2.4	X	RM	107R77	(E)DRN	90S4	670	337/346	
6.2	13900	284	8350	2.7	X							
3.6	23500	484	3820	1.15	X							
4.1	21200	431	5530	1.25	X							
4.7	18600	379	5830	1.45	X							
5.2	16500	336	6040	1.60	X	R	97R57	(E)DRN	90S4	315	334/346	
6.0	14500	296	6170	1.85	X	RF	97R57	(E)DRN	90S4	350	335/346	
7.1	12100	249	6250	2.2	X	RM	97R57	(E)DRN	90S4	465	335/346	
7.5	11200	234	6280	2.4	X							
8.4	10000	209	6310	2.6	X							
3.8	23200	466	5250	1.15	X							
4.2	20900	420	5560	1.25	X							
4.8	18300	370	5860	1.45	X	R	97R57	(E)DRN	90S4	305	334/346	
5.0	17300	349	5970	1.55	X	RF	97R57	(E)DRN	90S4	345	335/346	
5.9	14600	297	6160	1.80	X	RM	97R57	(E)DRN	90S4	460	335/346	
6.5	13300	270	6210	2.0	X							
7.8	11300	227	6280	2.4	X							
6.6	13000	268	3910	1.05	X	R	87R57	(E)DRN	90S4	220	331/346	
7.5	11500	236	4140	1.20	X	RF	87R57	(E)DRN	90S4	235	332/346	
8.4	10000	209	4320	1.35	X	RM	87R57	(E)DRN	90S4	300	332/346	
6.9	12600	256	3980	1.10	X	R	87R57	(E)DRN	90S4	220	331/346	
7.6	11400	232	4160	1.20	X	RF	87R57	(E)DRN	90S4	235	332/346	
9.0	9710	195	4370	1.40	X	RM	87R57	(E)DRN	90S4	300	332/346	

<b>P<sub>m</sub> = 1.5 HP</b>											
<b>n<sub>a</sub></b> rpm	<b>T<sub>a</sub></b> lb-in	<b>i</b> ratio	<b>F<sub>Ra</sub><sup>1)</sup></b> lb	<b>SEW SF</b> f <sub>B</sub>	<b>HazLoc</b> -NA®			<b>m</b> lbs			
<b>6.3</b>	14800	186.30	6150	1.80		<b>R</b>	<b>97</b>	<b>DRN</b>	<b>112M6</b>	310	334
						<b>RF</b>	<b>97</b>	<b>DRN</b>	<b>112M6</b>	350	335
						<b>RM</b>	<b>97</b>	<b>DRN</b>	<b>112M6</b>	465	335
<b>6.1</b>	15500	289.74	6120	1.70	X						
<b>6.9</b>	13700	255.71	6200	1.95	X						
<b>7.3</b>	12900	241.25	6220	2.0	X						
<b>8.2</b>	11600	216.28	6270	2.3	X	<b>R</b>	<b>97</b>	<b>(E)DRN</b>	<b>90S4</b>	260	334
<b>9.5</b>	9990	186.30	6310	2.7	X	<b>RF</b>	<b>97</b>	<b>(E)DRN</b>	<b>90S4</b>	300	335
<b>10</b>	9110	170.02	6340	2.9	X	<b>RM</b>	<b>97</b>	<b>(E)DRN</b>	<b>90S4</b>	410	335
<b>12</b>	8080	150.78	6360	3.3	X						
<b>14</b>	6790	126.75	6380	3.9	X						
<b>15</b>	6240	116.48	6390	4.2	X						
<b>7.2</b>	13200	246.54	3000	1.05	X						
<b>8.1</b>	11600	216.54	3590	1.20	X						
<b>8.6</b>	11000	205.71	3800	1.25	X						
<b>9.7</b>	9740	181.77	4270	1.40	X						
<b>11</b>	8330	155.34	4490	1.65	X						
<b>12</b>	7630	142.41	4490	1.80	X						
<b>14</b>	6700	124.97	4490	2.0	X	<b>R</b>	<b>87</b>	<b>(E)DRN</b>	<b>90S4</b>	170	331
<b>15</b>	6350	118.43*	4490	2.2	X	<b>RF</b>	<b>87</b>	<b>(E)DRN</b>	<b>90S4</b>	185	332
<b>17</b>	5550	103.65	4490	2.5	X	<b>RM</b>	<b>87</b>	<b>(E)DRN</b>	<b>90S4</b>	250	332
<b>19</b>	5000	93.38	4490	2.7	X						
<b>22</b>	4390	81.92	4490	3.1	X						
<b>24</b>	3890	72.57	4490	3.5	X						
<b>28</b>	3410	63.68*	4490	4.0	X						
<b>29</b>	3230	60.35*	4490	4.2	X						
<b>33</b>	2830	52.82	4490	4.8	X						
<b>15</b>	6510	121.42	2390	1.10	X						
<b>17</b>	5520	102.99	2560	1.30	X						
<b>19</b>	4980	92.97	2640	1.45	X						
<b>22</b>	4380	81.80	2720	1.65	X						
<b>23</b>	4140	77.24	2750	1.75	X						
<b>27</b>	3520	65.77	2810	2.1	X	<b>R</b>	<b>77</b>	<b>(E)DRN</b>	<b>90S4</b>	110	328
<b>31</b>	3090	57.68	2840	2.4	X	<b>RF</b>	<b>77</b>	<b>(E)DRN</b>	<b>90S4</b>	125	329
<b>34</b>	2790	52.07	2870	2.6	X	<b>RM</b>	<b>77</b>	<b>(E)DRN</b>	<b>90S4</b>	180	329
<b>38</b>	2450	45.81	2890	3.0	X						
<b>41</b>	2320	43.26	2900	3.1	X						
<b>48</b>	1970	36.83	2880	3.7	X						
<b>53</b>	1790	33.47	2800	4.0	X						
<b>18</b>	5140	95.91	1750	1.05	X						
<b>20</b>	4610	86.11	1880	1.15	X						
<b>24</b>	3970	74.17	2020	1.35	X						
<b>25</b>	3740	69.75	2060	1.40	X						
<b>29</b>	3280	61.26	2140	1.60	X	<b>R</b>	<b>67</b>	<b>(E)DRN</b>	<b>90S4</b>	98	325
<b>31</b>	3050	56.89	2170	1.75	X	<b>RF</b>	<b>67</b>	<b>(E)DRN</b>	<b>90S4</b>	105	326
<b>34</b>	2760	51.56	2210	1.90	X	<b>RM</b>	<b>67</b>	<b>(E)DRN</b>	<b>90S4</b>	140	326
<b>38</b>	2480	46.29	2240	2.1	X						
<b>44</b>	2130	39.88*	2270	2.4	X						
<b>47</b>	2010	37.50	2290	2.5	X						
<b>55</b>	1730	32.27	2240	2.8	X						
<b>61</b>	1540	28.83	2170	3.0	X						
<b>63</b>	1500	28.13	2150	3.2	X						
<b>66</b>	1430	26.72	2120	3.3	X	<b>R</b>	<b>67</b>	<b>(E)DRN</b>	<b>90S4</b>	96	325
<b>75</b>	1250	23.44	2040	3.9	X	<b>RF</b>	<b>67</b>	<b>(E)DRN</b>	<b>90S4</b>	105	326
<b>89</b>	1060	19.89	1940	5.0	X	<b>RM</b>	<b>67</b>	<b>(E)DRN</b>	<b>90S4</b>	140	326
<b>25</b>	3710	69.23	1490	1.05	X						
<b>27</b>	3470	64.85	1470	1.15	X						
<b>31</b>	3070	57.29	1440	1.30	X						
<b>33</b>	2850	53.22	1410	1.40	X						
<b>37</b>	2580	48.23	1380	1.55	X	<b>R</b>	<b>57</b>	<b>(E)DRN</b>	<b>90S4</b>	84	322
<b>41</b>	2320	43.30	1350	1.70	X	<b>RF</b>	<b>57</b>	<b>(E)DRN</b>	<b>90S4</b>	91	323
<b>47</b>	2000	37.30*	1300	2.0	X	<b>RM</b>	<b>57</b>	<b>(E)DRN</b>	<b>90S4</b>	120	323
<b>50</b>	1880	35.07	1290	2.1	X						
<b>58</b>	1610	30.18	1240	2.5	X						
<b>65</b>	1440	26.97	1200	2.8	X						

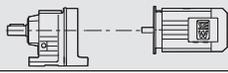
21933480/EN-US - 04/2018

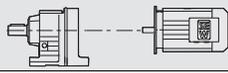
<b>P<sub>m</sub> = 1.5 HP</b>										
<b>n<sub>a</sub></b> rpm	<b>T<sub>a</sub></b> lb-in	<b>i</b> ratio	<b>F<sub>Ra</sub><sup>1)</sup></b> lb	<b>SEW SF</b> f <sub>B</sub>	<b>HazLoc</b> -NA <sup>®</sup>			<b>m</b> lbs		
67	1410	26.31	1200	2.8	X					
70	1340	24.99*	1180	3.0	X	<b>R</b>	<b>57</b>	<b>(E)DRN 90S4</b>	82	322
80	1170	21.93	1140	3.4	X	<b>RF</b>	<b>57</b>	<b>(E)DRN 90S4</b>	89	323
95	990	18.60*	1090	4.0	X	<b>RM</b>	<b>57</b>	<b>(E)DRN 90S4</b>	115	323
105	900	16.79	1060	4.4	X					
37	2560	47.75	1060	1.05	X					
41	2290	42.87	1040	1.15	X					
48	1980	36.93	1010	1.35	X	<b>R</b>	<b>47</b>	<b>(E)DRN 90S4</b>	72	319
51	1860	34.73	1000	1.45	X	<b>RF</b>	<b>47</b>	<b>(E)DRN 90S4</b>	73	320
59	1600	29.88	960	1.65	X					
66	1430	26.70	940	1.85	X					
75	1260	23.59	910	2.1	X					
66	1430	26.74	940	1.85	X					
76	1240	23.28	910	2.1	X					
81	1160	21.81	890	2.3	X					
91	1030	19.27	860	2.5	X					
98	950	17.89	850	2.7	X	<b>R</b>	<b>47</b>	<b>(E)DRN 90S4</b>	71	319
109	860	16.22	830	2.8	X	<b>RF</b>	<b>47</b>	<b>(E)DRN 90S4</b>	71	320
121	780	14.56	800	3.0	X					
140	670	12.54	770	3.3	X					
149	630	11.79	755	3.4	X					
174	540	10.15	725	3.7	X					
194	485	9.07	700	4.0	X					
54	1730	32.40	785	1.00	X	<b>R</b>	<b>37</b>	<b>(E)DRN 90S4</b>	63	316
61	1540	28.73	850	1.15	X	<b>RF</b>	<b>37</b>	<b>(E)DRN 90S4</b>	66	317
72	1300	24.42	860	1.35	X					
79	1190	22.27	840	1.50	X					
91	1030	19.31	820	1.70	X					
98	960	18.05	810	1.85	X					
113	830	15.60	775	2.1	X					
133	710	13.25	745	2.4	X					
149	630	11.83	725	2.5	X	<b>R</b>	<b>37</b>	<b>(E)DRN 90S4</b>	62	316
174	540	10.11	695	2.8	X	<b>RF</b>	<b>37</b>	<b>(E)DRN 90S4</b>	65	317
186	505	9.47	680	2.9	X					
221	425	7.97	650	3.2	X					
264	355	6.67	615	3.6	X					
311	300	5.67	585	4.1	X					
348	270	5.06	570	4.4	X					
91	1030	19.35	525	1.10	X					
97	960	18.08	520	1.20	X					
113	830	15.63	505	1.35	X					
133	710	13.28*	490	1.60	X					
149	635	11.86	475	1.80	X					
174	540	10.13	460	2.0	X					
187	500	9.41	440	2.1	X	<b>R</b>	<b>27</b>	<b>(E)DRN 90S4</b>	49	313
216	435	8.16	430	2.4	X	<b>RF</b>	<b>27</b>	<b>(E)DRN 90S4</b>	49	314
231	405	7.63*	420	2.4	X					
267	350	6.59	405	2.6	X					
315	300	5.60*	390	2.9	X					
352	265	5.00*	380	3.1	X					
413	225	4.27	365	3.4	X					
440	210	4.00*	355	3.5	X					
523	181	3.37	340	3.9	X					
156	605	22.32	470	1.90						
180	520	19.35	455	2.2						
193	490	18.08	450	2.4						
223	420	15.63	435	2.7						
262	360	13.28*	415	3.2						
294	320	11.86	405	3.5						
344	270	10.13	385	3.9		<b>R</b>	<b>27</b>	<b>DRN 80M2</b>	36	313
370	255	9.41	375	4.2		<b>RF</b>	<b>27</b>	<b>DRN 80M2</b>	36	314
427	220	8.16	360	4.6						
457	205	7.63*	355	4.8						
529	179	6.59	340	5.2						
622	152	5.60*	325	5.8						
697	136	5.00*	315	6.2						
816	116	4.27	300	6.7						

<b>P<sub>m</sub> = 1.5 HP</b>											
n <sub>a</sub> rpm	T <sub>a</sub> lb-in	i ratio	F <sub>Ra</sub> <sup>1)</sup> lb	SEW SF f <sub>B</sub>	HazLoc -NA <sup>®</sup>			m lbs			
871	108	4.00*	295	6.9							
1035	91	3.37	280	7.7							
177	530	19.71	255	1.40							
205	460	16.99	250	1.65							
220	425	15.84	245	1.75							
252	375	13.84	245	2.0							
269	350	12.98	240	2.1							
304	310	11.45	235	2.3							
343	275	10.15	230	2.5							
404	230	8.63	225	2.7		R	17	DRN	80M2	34	310
462	200	7.55	210	2.4		RF	17	DRN	80M2	34	311
495	191	7.04	205	2.5							
567	167	6.15	200	2.9							
605	156	5.76	198	3.0							
685	138	5.09	192	3.3							
773	122	4.51	187	3.5							
909	104	3.83	180	3.8							
204	460	8.65	1720	2.6	X	RX	87	(E)DRN	90S4	125	301
						RXF	87	(E)DRN	90S4	135	302
275	340	6.41	1240	2.6	X						
313	300	5.63	1190	3.2	X	RX	77	(E)DRN	90S4	90	299
329	285	5.35*	1170	3.2	X	RXF	77	(E)DRN	90S4	95	300
373	250	4.73	1120	4.3	X						
340	275	5.18	800	2.4	X						
389	240	4.53	765	3.0	X						
410	230	4.30*	755	3.1	X						
467	200	3.77	725	3.8	X						
551	172	3.20*	690	5.2	X						
610	155	2.89	670	6.0	X	RX	67	(E)DRN	90S4	69	297
693	136	2.54	645	7.7	X	RXF	67	(E)DRN	90S4	77	298
734	129	2.40*	630	8.4	X						
862	110	2.04	600	11	X						
949	100	1.86	580	11	X						
1095	86	1.61	555	12	X						
1260	75	1.40*	530	12	X						
405	230	4.35	610	2.6	X						
465	200	3.79	585	3.0	X						
496	190	3.55*	575	3.2	X						
562	168	3.14	550	3.4	X						
605	156	2.91	540	3.8	X						
667	142	2.64*	525	4.3	X	RX	57	(E)DRN	90S4	63	295
743	127	2.37	505	4.8	X	RXF	57	(E)DRN	90S4	67	296
863	110	2.04	485	5.6	X						
918	103	1.92*	475	5.9	X						
1065	89	1.65	455	6.9	X						
1195	79	1.48	435	7.6	X						
1350	70	1.30	420	8.0	X						

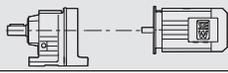
<b>P<sub>m</sub> = 2.0 HP</b>											
n <sub>a</sub> rpm	T <sub>a</sub> lb-in	i ratio	F <sub>Ra</sub> <sup>1)</sup> lb	SEW SF f <sub>B</sub>	HazLoc -NA <sup>®</sup>			m lbs			
0.76	147800	2333	27000	1.10	X						
0.85	130900	2085	27000	1.20	X						
0.94	116700	1877	27000	1.35	X						
1.1	103800	1670	27000	1.55	X	R	167R97	(E)DRN	90L4	1690	344/346
1.2	92300	1438	27000	1.70	X	RF	167R97	(E)DRN	90L4	1700	345/346
1.4	82100	1279	27000	1.95	X	RM	167R97	(E)DRN	90L4	2130	345/346
1.6	71100	1123	27000	2.2	X						
1.8	63300	999	27000	2.5	X						
2.0	54500	861	27000	2.9	X						
4.1	27000	426	16600	4.2	X	R	147R87	(E)DRN	90L4	1010	342/346
4.8	23300	368	16700	4.9	X	RF	147R87	(E)DRN	90L4	1020	343/346
						RM	147R87	(E)DRN	90L4	1390	343/346

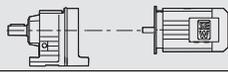
21933480/EN-US - 04/2018

<b>P<sub>m</sub> = 2.0 HP</b>										
<b>n<sub>a</sub></b> rpm	<b>T<sub>a</sub></b> lb-in	<b>i</b> ratio	<b>F<sub>Ra</sub><sup>1)</sup></b> lb	<b>SEW SF</b> f <sub>B</sub>	<b>HazLoc</b> -NA <sup>®</sup>			<b>m</b> lbs		
1.0	110800	1705	14300	1.05	X					
1.1	99600	1536	14800	1.15	X					
1.3	86200	1329	15300	1.35	X					
1.5	75300	1166	15700	1.55	X					
1.7	66100	1029	15900	1.75	X	<b>R</b>	<b>147R77</b>	<b>(E)DRN 90L4</b>	960	342/346
2.0	57300	889	16100	2.0	X	<b>RF</b>	<b>147R77</b>	<b>(E)DRN 90L4</b>	980	343/346
2.2	50400	784	16300	2.3	X	<b>RM</b>	<b>147R77</b>	<b>(E)DRN 90L4</b>	1350	343/346
2.5	44500	695	16400	2.6	X					
2.9	40200	619	16500	2.9	X					
3.2	36100	558	16500	3.2	X					
1.7	68000	1043	12100	1.05	X	<b>R</b>	<b>137R77</b>	<b>(E)DRN 90L4</b>	650	342/346
2.0	57700	888	12600	1.25	X	<b>RF</b>	<b>137R77</b>	<b>(E)DRN 90L4</b>	700	343/346
2.5	45100	699	13100	1.55	X	<b>RM</b>	<b>137R77</b>	<b>(E)DRN 90L4</b>	950	343/346
2.9	39100	609	13300	1.80	X					
1.6	71400	1090	12000	1.00						
1.9	62300	951	12400	1.15	X					
2.1	53900	831	12800	1.30	X					
2.4	47100	730	13000	1.50	X	<b>R</b>	<b>137R77</b>	<b>(E)DRN 90L4</b>	670	342/346
2.8	40200	629	13200	1.75	X	<b>RF</b>	<b>137R77</b>	<b>(E)DRN 90L4</b>	720	343/346
3.1	36400	560	13300	1.95	X	<b>RM</b>	<b>137R77</b>	<b>(E)DRN 90L4</b>	970	343/346
3.6	31400	490	13500	2.2	X					
4.1	27400	428	13500	2.6	X					
4.6	24800	381	13600	2.9	X					
5.5	21000	323	13600	3.4	X					
3.1	37400	564	13300	1.90	X	<b>R</b>	<b>137R77</b>	<b>(E)DRN 90L4</b>	650	342/346
3.4	34300	517	13400	2.1	X	<b>RF</b>	<b>137R77</b>	<b>(E)DRN 90L4</b>	700	343/346
3.9	30000	453	13500	2.4	X	<b>RM</b>	<b>137R77</b>	<b>(E)DRN 90L4</b>	940	343/346
4.7	24700	376	13600	2.9	X					
2.3	50200	773	9660	1.05	X	<b>R</b>	<b>127R77</b>	<b>(E)DRN 90L4</b>	570	338/346
2.9	39300	608	9660	1.35	X	<b>RF</b>	<b>127R77</b>	<b>(E)DRN 90L4</b>	620	339/346
						<b>RM</b>	<b>127R77</b>	<b>(E)DRN 90L4</b>	830	339/346
2.1	53800	830	9660	1.00						
2.2	51800	794	9660	1.00	X					
2.2	50700	792	9660	1.05	X					
2.3	50500	777	9660	1.05	X					
2.4	48600	750	9660	1.10	X					
2.7	42800	659	9660	1.25	X					
2.8	41300	642	9660	1.30	X					
2.8	41200	636	9660	1.30	X	<b>R</b>	<b>127R77</b>	<b>(E)DRN 90L4</b>	600	338/346
2.9	39600	614	9660	1.35	X	<b>RF</b>	<b>127R77</b>	<b>(E)DRN 90L4</b>	630	339/346
3.0	37300	581	9660	1.40	X	<b>RM</b>	<b>127R77</b>	<b>(E)DRN 90L4</b>	840	339/346
3.4	33600	521	9660	1.60	X					
3.6	31600	492	9660	1.70	X					
3.7	30700	480	9660	1.75	X					
4.3	26000	407	9660	2.0	X					
4.6	25000	386	9660	2.1	X					
5.9	19200	298	9660	2.8	X					
7.0	16200	253	9660	3.3	X					
3.6	32600	490	9660	1.65	X					
4.5	26000	394	9660	2.0	X	<b>R</b>	<b>127R77</b>	<b>(E)DRN 90L4</b>	570	338/346
5.4	21500	327	9660	2.5	X	<b>RF</b>	<b>127R77</b>	<b>(E)DRN 90L4</b>	610	339/346
6.8	16900	259	9660	3.1	X	<b>RM</b>	<b>127R77</b>	<b>(E)DRN 90L4</b>	830	339/346
8.7	13100	202	9660	4.0	X					
11	10600	162	9660	5.0	X					
3.4	34100	528	7120	1.10	X	<b>R</b>	<b>107R77</b>	<b>(E)DRN 90L4</b>	470	336/346
						<b>RF</b>	<b>107R77</b>	<b>(E)DRN 90L4</b>	480	337/346
						<b>RM</b>	<b>107R77</b>	<b>(E)DRN 90L4</b>	680	337/346
3.2	34800	544	7030	1.10	X					
3.6	31500	492	7400	1.20	X					
4.2	26700	417	7840	1.40	X					
4.8	23900	369	8050	1.60	X	<b>R</b>	<b>107R77</b>	<b>(E)DRN 90L4</b>	480	336/346
5.5	20800	323	8170	1.80	X	<b>RF</b>	<b>107R77</b>	<b>(E)DRN 90L4</b>	495	337/346
6.2	18300	285	8240	2.1	X	<b>RM</b>	<b>107R77</b>	<b>(E)DRN 90L4</b>	690	337/346
7.0	16200	253	8300	2.4	X					
8.2	13700	214	8360	2.8	X					

<b>P<sub>m</sub> = 2.0 HP</b>									
<b>n<sub>a</sub></b> <b>rpm</b>	<b>T<sub>a</sub></b> <b>lb-in</b>	<b>i</b> <b>ratio</b>	<b>F<sub>Ra</sub><sup>1)</sup></b> <b>lb</b>	<b>SEW SF</b> <b>f<sub>B</sub></b>	<b>HazLoc</b> <b>-NA<sup>®</sup></b>			<b>m</b> <b>lbs</b>	
3.8	31100	469	7430	1.20	X				
4.2	28300	426	7700	1.35	X				
4.7	24900	377	7980	1.50	X	R	107R77	(E)DRN 90L4	465 336/346
5.5	21400	325	8150	1.80	X	RF	107R77	(E)DRN 90L4	480 337/346
6.2	18600	284	8240	2.0	X	RM	107R77	(E)DRN 90L4	670 337/346
6.9	16700	256	8290	2.3	X				
8.0	14400	220	8340	2.6	X				
9.1	12500	193	8380	3.0	X				
4.7	24900	379	4990	1.05	X				
5.2	22100	336	5400	1.20	X	R	97R57	(E)DRN 90L4	320 334/346
6.0	19400	296	5740	1.35	X	RF	97R57	(E)DRN 90L4	360 335/346
7.1	16200	249	6060	1.65	X	RM	97R57	(E)DRN 90L4	470 335/346
7.6	15100	234	6140	1.75	X				
8.5	13500	209	6200	1.95	X				
4.8	24600	370	5040	1.10	X				
5.1	23200	349	5260	1.15	X	R	97R57	(E)DRN 90L4	315 334/346
5.9	19700	297	5710	1.35	X	RF	97R57	(E)DRN 90L4	350 335/346
6.5	17800	270	5910	1.50	X	RM	97R57	(E)DRN 90L4	465 335/346
7.8	15100	227	6140	1.75	X				
9.1	12900	195	3930	1.05	X	R	87R57	(E)DRN 90L4	225 331/346
						RF	87R57	(E)DRN 90L4	240 332/346
						RM	87R57	(E)DRN 90L4	305 332/346
4.7	26700	251.15	7830	1.40					
5.1	24500	229.95	8010	1.55		R	107	DRN 112M6	440 336
5.8	21600	203.16	8140	1.75		RF	107	DRN 112M6	450 337
6.8	18300	172.34	8240	2.1		RM	107	DRN 112M6	650 337
7.4	16900	158.68	8280	2.2					
8.3	15100	141.83	8330	2.5					
6.9	18200	255.71	5430	1.45	X				
7.3	17200	241.25	5740	1.55	X				
8.2	15400	216.28	6130	1.70	X				
9.5	13200	186.30	6210	2.0	X				
10	12100	170.02	6250	2.2	X	R	97	(E)DRN 90L4	265 334
12	10700	150.78	6290	2.5	X	RF	97	(E)DRN 90L4	305 335
14	9030	126.75	6340	2.9	X	RM	97	(E)DRN 90L4	420 335
15	8300	116.48	6350	3.2	X				
17	7370	103.44	6370	3.6	X				
19	6590	92.48	6390	4.0	X				
9.7	12900	181.77	3090	1.05	X				
11	11000	155.34	3780	1.25	X				
12	10100	142.41	4120	1.35	X				
14	8910	124.97	4450	1.55	X				
15	8440	118.43*	4490	1.60	X				
17	7390	103.65	4490	1.85	X				
19	6650	93.38	4490	2.1	X	R	87	(E)DRN 90L4	175 331
22	5840	81.92	4490	2.4	X	RF	87	(E)DRN 90L4	190 332
24	5170	72.57	4490	2.6	X	RM	87	(E)DRN 90L4	260 332
28	4540	63.68*	4490	3.0	X				
29	4300	60.35*	4490	3.2	X				
33	3760	52.82	4490	3.6	X				
37	3390	47.58	4450	4.0	X				
42	2970	41.74	4270	4.6	X				
48	2620	36.84*	4110	5.2	X				
19	6630	92.97	2370	1.10	X				
22	5830	81.80	2510	1.25	X				
23	5500	77.24	2570	1.30	X				
27	4680	65.77	2680	1.55	X				
31	4110	57.68	2750	1.75	X				
34	3710	52.07	2790	1.95	X	R	77	(E)DRN 90L4	120 328
39	3260	45.81	2830	2.2	X	RF	77	(E)DRN 90L4	130 329
41	3080	43.26	2840	2.4	X	RM	77	(E)DRN 90L4	185 329
48	2620	36.83	2830	2.8	X				
53	2380	33.47	2750	3.0	X				
61	2060	29.00	2640	3.5	X				
70	1790	25.23	2530	3.8	X				

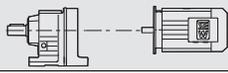
21933480/EN-US - 04/2018

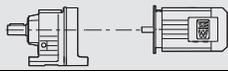
<b>P<sub>m</sub> = 2.0 HP</b>											
<b>n<sub>a</sub></b> <b>rpm</b>	<b>T<sub>a</sub></b> <b>lb-in</b>	<b>i</b> <b>ratio</b>	<b>F<sub>Ra</sub><sup>1)</sup></b> <b>lb</b>	<b>SEW SF</b> <b>f<sub>B</sub></b>	<b>HazLoc</b> <b>-NA<sup>®</sup></b>				<b>m</b> <b>lbs</b>		
<b>76</b>	1660	23.37	2470	4.3	X	<b>R</b>	<b>77</b>	<b>(E)DRN 90L4</b>	115	328	
<b>82</b>	1520	21.43	2410	4.8	X	<b>RF</b>	<b>77</b>	<b>(E)DRN 90L4</b>	130	329	
<b>94</b>	1340	18.80	2320	5.2	X	<b>RM</b>	<b>77</b>	<b>(E)DRN 90L4</b>	185	329	
<b>25</b>	4970	69.75	1790	1.05	X						
<b>29</b>	4360	61.26	1940	1.20	X						
<b>31</b>	4050	56.89	2010	1.30	X						
<b>34</b>	3670	51.56	2070	1.45	X	<b>R</b>	<b>67</b>	<b>(E)DRN 90L4</b>	105	325	
<b>38</b>	3300	46.29	2140	1.60	X	<b>RF</b>	<b>67</b>	<b>(E)DRN 90L4</b>	110	326	
<b>44</b>	2840	39.88*	2200	1.80	X	<b>RM</b>	<b>67</b>	<b>(E)DRN 90L4</b>	145	326	
<b>47</b>	2670	37.50	2220	1.90	X						
<b>55</b>	2300	32.27	2190	2.1	X						
<b>61</b>	2050	28.83	2120	2.2	X						
<b>63</b>	2000	28.13	2110	2.4	X						
<b>66</b>	1900	26.72	2080	2.5	X	<b>R</b>	<b>67</b>	<b>(E)DRN 90L4</b>	105	325	
<b>75</b>	1670	23.44	2000	3.0	X	<b>RF</b>	<b>67</b>	<b>(E)DRN 90L4</b>	110	326	
<b>89</b>	1410	19.89	1910	3.7	X	<b>RM</b>	<b>67</b>	<b>(E)DRN 90L4</b>	145	326	
<b>98</b>	1280	17.95	1850	4.1	X						
<b>33</b>	3790	53.22	1330	1.05	X						
<b>37</b>	3430	48.23	1310	1.15	X						
<b>41</b>	3080	43.30	1280	1.30	X	<b>R</b>	<b>57</b>	<b>(E)DRN 90L4</b>	91	322	
<b>47</b>	2650	37.30*	1240	1.50	X	<b>RF</b>	<b>57</b>	<b>(E)DRN 90L4</b>	98	323	
<b>50</b>	2500	35.07	1230	1.60	X	<b>RM</b>	<b>57</b>	<b>(E)DRN 90L4</b>	125	323	
<b>59</b>	2150	30.18	1190	1.85	X						
<b>66</b>	1920	26.97	1160	2.1	X						
<b>67</b>	1870	26.31	1150	2.1	X						
<b>71</b>	1780	24.99*	1140	2.2	X						
<b>81</b>	1560	21.93	1100	2.5	X	<b>R</b>	<b>57</b>	<b>(E)DRN 90L4</b>	89	322	
<b>95</b>	1320	18.60*	1060	3.0	X	<b>RF</b>	<b>57</b>	<b>(E)DRN 90L4</b>	96	323	
<b>105</b>	1190	16.79	1030	3.3	X	<b>RM</b>	<b>57</b>	<b>(E)DRN 90L4</b>	125	323	
<b>120</b>	1050	14.77*	1000	3.6	X						
<b>127</b>	990	13.95*	980	3.8	X						
<b>149</b>	840	11.88	940	4.2	X						
<b>48</b>	2630	36.93	950	1.00	X						
<b>51</b>	2470	34.73	940	1.05	X	<b>R</b>	<b>47</b>	<b>(E)DRN 90L4</b>	79	319	
<b>59</b>	2130	29.88	910	1.25	X	<b>RF</b>	<b>47</b>	<b>(E)DRN 90L4</b>	79	320	
<b>66</b>	1900	26.70	890	1.40	X						
<b>75</b>	1680	23.59	870	1.60	X						
<b>76</b>	1660	23.28	870	1.60	X						
<b>81</b>	1550	21.81	860	1.70	X						
<b>92</b>	1370	19.27	830	1.90	X						
<b>99</b>	1270	17.89	820	2.0	X						
<b>109</b>	1150	16.22	800	2.1	X						
<b>121</b>	1030	14.56	775	2.3	X						
<b>141</b>	890	12.54	750	2.5	X						
<b>150</b>	840	11.79	735	2.6	X						
<b>174</b>	720	10.15	705	2.8	X	<b>R</b>	<b>47</b>	<b>(E)DRN 90L4</b>	78	319	
<b>195</b>	645	9.07	685	3.0	X	<b>RF</b>	<b>47</b>	<b>(E)DRN 90L4</b>	78	320	
<b>221</b>	570	8.01	665	3.2	X						
<b>228</b>	550	7.76*	650	2.6	X						
<b>254</b>	495	6.96	630	2.8	X						
<b>295</b>	425	6.00	605	3.2	X						
<b>313</b>	400	5.64*	595	3.4	X						
<b>364</b>	345	4.85	570	3.8	X						
<b>407</b>	305	4.34	550	4.2	X						
<b>461</b>	270	3.83	530	4.7	X						
<b>72</b>	1740	24.42	600	1.00	X	<b>R</b>	<b>37</b>	<b>(E)DRN 90L4</b>	70	316	
						<b>RF</b>	<b>37</b>	<b>(E)DRN 90L4</b>	73	317	

<b>P<sub>m</sub> = 2.0 HP</b>									
n <sub>a</sub> rpm	T <sub>a</sub> lb-in	i ratio	F <sub>Ra</sub> <sup>1)</sup> lb	SEW SF f <sub>B</sub>	HazLoc -NA <sup>®</sup>			m lbs	
92	1370	19.31	720	1.30	X				
98	1280	18.05	750	1.40	X				
113	1110	15.60	745	1.60	X				
133	940	13.25	715	1.80	X				
149	840	11.83	700	1.90	X				
175	720	10.11	670	2.1	X				
187	675	9.47	660	2.2	X	R	37	(E)DRN 90L4	69 316
222	565	7.97	635	2.4	X	RF	37	(E)DRN 90L4	72 317
265	475	6.67	600	2.7	X				
312	400	5.67	575	3.1	X				
349	360	5.06	555	3.3	X				
409	305	4.32	530	3.6	X				
437	285	4.05	520	3.7	X				
518	240	3.41	495	4.1	X				
526	235	6.67	495	5.3					
619	200	5.67	470	6.2		R	37	DRN 90S2	62 316
693	182	5.06	455	6.6		RF	37	DRN 90S2	65 317
811	155	4.32	435	7.2					
866	145	4.05	425	7.4					
1030	123	3.41	405	8.1					
113	1110	15.63	470	1.05	X				
133	940	13.28*	460	1.20	X				
149	840	11.86	450	1.35	X				
174	720	10.13	435	1.50	X				
217	580	8.16	405	1.75	X				
232	540	7.63*	400	1.80	X	R	27	(E)DRN 90L4	56 313
268	470	6.59	390	2.0	X	RF	27	(E)DRN 90L4	56 314
316	395	5.60*	375	2.2	X				
353	355	5.00*	365	2.4	X				
414	300	4.27	350	2.5	X				
442	285	4.00*	345	2.6	X				
524	240	3.37	330	2.9	X				
532	235	6.59	330	4.0					
626	200	5.60*	315	4.3		R	27	DRN 90S2	49 313
701	180	5.00*	305	4.7		RF	27	DRN 90S2	49 314
821	154	4.27	295	5.0					
876	144	4.00*	285	5.2					
1040	121	3.37	275	5.8					
232	540	7.63	1640	2.4	X	RX	87	(E)DRN 90L4	135 301
245	510	7.20*	1610	2.4	X	RXF	87	(E)DRN 90L4	145 302
314	400	5.63	1170	2.4	X				
330	380	5.35*	1150	2.4	X				
374	335	4.73	1110	3.2	X				
437	285	4.04*	1060	4.4	X				
477	260	3.70	1030	5.1	X	RX	77	(E)DRN 90L4	97 299
544	230	3.25*	990	7.0	X	RXF	77	(E)DRN 90L4	100 300
574	215	3.08*	970	7.8	X				
656	192	2.70	930	9.9	X				
728	173	2.43	900	11	X				
390	320	4.53	755	2.2	X				
411	305	4.30*	745	2.3	X				
468	265	3.77	715	2.9	X				
552	225	3.20*	680	3.9	X				
612	205	2.89	660	4.5	X				
695	181	2.54	635	5.8	X	RX	67	(E)DRN 90L4	76 297
736	171	2.40*	625	6.4	X	RXF	67	(E)DRN 90L4	84 298
865	146	2.04	595	8.1	X				
951	132	1.86	575	8.4	X				
1100	115	1.61	550	8.8	X				
1260	100	1.40*	525	9.2	X				

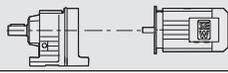
21933480/EN-US - 04/2018

8

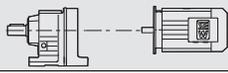
<b>P<sub>m</sub> = 2.0 HP</b>							<b>m lbs</b>	
<b>n<sub>a</sub> rpm</b>	<b>T<sub>a</sub> lb-in</b>	<b>i ratio</b>	<b>F<sub>Ra</sub><sup>1)</sup> lb</b>	<b>SEW SF f<sub>B</sub></b>	<b>HazLoc -NA<sup>®</sup></b>			
466	270	3.79	570	2.3	X			
498	250	3.55*	560	2.4	X			
563	220	3.14	540	2.6	X			
607	205	2.91	530	2.9	X			
669	188	2.64*	515	3.2	X			
745	169	2.37	500	3.6	X	<b>RX</b>	<b>57</b>	<b>(E)DRN 90L4</b>
865	146	2.04	475	4.2	X	<b>RXF</b>	<b>57</b>	<b>(E)DRN 90L4</b>
920	137	1.92*	470	4.5	X			70 295
1070	118	1.65	445	5.2	X			74 296
1195	105	1.48	430	5.7	X			
1355	93	1.30	415	6.0	X			

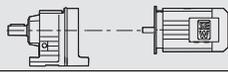
<b>P<sub>m</sub> = 3.0 HP</b>							<b>m lbs</b>	
<b>n<sub>a</sub> rpm</b>	<b>T<sub>a</sub> lb-in</b>	<b>i ratio</b>	<b>F<sub>Ra</sub><sup>1)</sup> lb</b>	<b>SEW SF f<sub>B</sub></b>	<b>HazLoc -NA<sup>®</sup></b>			
1.1	157700	1674	27000	1.00	X			
1.2	138000	1485	27000	1.15	X			
1.3	123400	1342	27000	1.30	X			
1.4	114400	1229	27000	1.40	X	<b>R</b>	<b>167R107</b>	<b>(E)DRN 100LM4</b>
1.6	102200	1111	27000	1.55	X	<b>RF</b>	<b>167R107</b>	<b>(E)DRN 100LM4</b>
1.9	90200	950	27000	1.75	X	<b>RM</b>	<b>167R107</b>	<b>(E)DRN 100LM4</b>
2.0	81000	860	27000	1.95	X			1820 344/346
2.3	70900	763	27000	2.2	X			1830 345/346
2.6	63400	690	27000	2.5	X			2260 345/346
1.1	160300	1670	27000	1.00				
1.2	141000	1438	27000	1.15	X			
1.4	125400	1279	27000	1.25	X	<b>R</b>	<b>167R97</b>	<b>(E)DRN 100LM4</b>
1.6	109200	1123	27000	1.45	X	<b>RF</b>	<b>167R97</b>	<b>(E)DRN 100LM4</b>
1.8	97100	999	27000	1.65	X	<b>RM</b>	<b>167R97</b>	<b>(E)DRN 100LM4</b>
2.0	83700	861	27000	1.90	X			1710 344/346
2.3	74100	760	27000	2.1	X			1720 345/346
2.7	61400	656	27000	2.6	X			2160 345/346
3.3	51100	533	16300	2.2	X			
3.8	43900	462	16400	2.6	X	<b>R</b>	<b>147R87</b>	<b>(E)DRN 100LM4</b>
4.1	41500	426	16400	2.8	X	<b>RF</b>	<b>147R87</b>	<b>(E)DRN 100LM4</b>
4.8	35800	368	16500	3.2	X	<b>RM</b>	<b>147R87</b>	<b>(E)DRN 100LM4</b>
5.4	31700	326	16600	3.6	X			1030 342/346
1.5	114700	1166	14100	1.00	X			
1.7	101000	1029	14700	1.15	X			
2.0	87400	889	15300	1.30	X			
2.2	76900	784	15600	1.50	X	<b>R</b>	<b>147R77</b>	<b>(E)DRN 100LM4</b>
2.5	68000	695	15900	1.70	X	<b>RF</b>	<b>147R77</b>	<b>(E)DRN 100LM4</b>
2.8	61200	619	16000	1.90	X	<b>RM</b>	<b>147R77</b>	<b>(E)DRN 100LM4</b>
3.2	55000	558	16200	2.1	X			990 342/346
3.6	48100	489	16300	2.4	X			1000 343/346
4.2	40800	415	16400	2.8	X			1370 343/346
2.5	68800	699	12100	1.05	X	<b>R</b>	<b>137R77</b>	<b>(E)DRN 100LM4</b>
2.9	59700	609	12500	1.20	X	<b>RF</b>	<b>137R77</b>	<b>(E)DRN 100LM4</b>
						<b>RM</b>	<b>137R77</b>	<b>(E)DRN 100LM4</b>
2.4	71700	730	11900	1.00				680 340/346
2.8	61500	629	12500	1.15	X			730 341/346
3.1	55300	560	12700	1.30	X			970 341/346
3.6	48000	490	13000	1.45	X			
4.1	41900	428	13200	1.70	X	<b>R</b>	<b>137R77</b>	<b>(E)DRN 100LM4</b>
4.6	37700	381	13300	1.90	X	<b>RF</b>	<b>137R77</b>	<b>(E)DRN 100LM4</b>
5.5	31900	323	13400	2.2	X	<b>RM</b>	<b>137R77</b>	<b>(E)DRN 100LM4</b>
6.0	28700	291	13500	2.5	X			700 340/346
6.9	25100	255	13600	2.8	X			750 341/346
7.9	22000	223	13600	3.2	X			990 341/346
3.1	56800	564	12700	1.25	X			
3.4	52000	517	12900	1.35	X	<b>R</b>	<b>137R77</b>	<b>(E)DRN 100LM4</b>
3.9	45500	453	13100	1.55	X	<b>RF</b>	<b>137R77</b>	<b>(E)DRN 100LM4</b>
4.7	37600	376	13300	1.90	X	<b>RM</b>	<b>137R77</b>	<b>(E)DRN 100LM4</b>
5.2	33800	339	13400	2.1	X			670 340/346
5.9	29600	297	13500	2.4	X			720 341/346
								970 341/346

21933480/EN-US - 04/2018

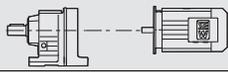
<b>P<sub>m</sub> = 3.0 HP</b>											
<b>n<sub>a</sub></b> <b>rpm</b>	<b>T<sub>a</sub></b> <b>lb-in</b>	<b>i</b> <b>ratio</b>	<b>F<sub>Ra</sub><sup>1)</sup></b> <b>lb</b>	<b>SEW SF</b> <b>f<sub>B</sub></b>	<b>HazLoc</b> <b>-NA<sup>®</sup></b>			<b>m</b> <b>lbs</b>			
3.4	51200	521	9660	1.05	X						
3.6	48300	492	9660	1.10	X						
3.7	47000	480	9660	1.15	X	<b>R</b>	<b>127R77</b>	<b>(E)DRN</b>	<b>100LM4</b>	630	338/346
4.3	39800	407	9660	1.35	X	<b>RF</b>	<b>127R77</b>	<b>(E)DRN</b>	<b>100LM4</b>	650	339/346
4.6	38000	386	9660	1.40	X	<b>RM</b>	<b>127R77</b>	<b>(E)DRN</b>	<b>100LM4</b>	870	339/346
5.9	29300	298	9660	1.80	X						
7.0	24800	253	9660	2.1	X						
3.6	49400	490	9660	1.05	X						
4.5	39600	394	9660	1.35	X						
5.4	32700	327	9660	1.60	X	<b>R</b>	<b>127R77</b>	<b>(E)DRN</b>	<b>100LM4</b>	590	338/346
6.8	25700	259	9660	2.1	X	<b>RF</b>	<b>127R77</b>	<b>(E)DRN</b>	<b>100LM4</b>	640	339/346
8.7	20000	202	9660	2.6	X	<b>RM</b>	<b>127R77</b>	<b>(E)DRN</b>	<b>100LM4</b>	850	339/346
11	16200	162	9660	3.3	X						
14	12400	126	9660	4.2	X						
4.8	36300	369	6840	1.05	X						
5.5	31800	323	7360	1.20	X	<b>R</b>	<b>107R77</b>	<b>(E)DRN</b>	<b>100LM4</b>	500	336/346
6.2	28000	285	7730	1.35	X	<b>RF</b>	<b>107R77</b>	<b>(E)DRN</b>	<b>100LM4</b>	520	337/346
7.0	24700	253	7990	1.55	X	<b>RM</b>	<b>107R77</b>	<b>(E)DRN</b>	<b>100LM4</b>	710	337/346
8.2	20900	214	8160	1.80	X						
9.4	18300	187	8250	2.1	X						
4.7	37800	377	6640	1.00	X						
5.4	32500	325	7290	1.15	X	<b>R</b>	<b>107R77</b>	<b>(E)DRN</b>	<b>100LM4</b>	490	336/346
6.2	28400	284	7690	1.35	X	<b>RF</b>	<b>107R77</b>	<b>(E)DRN</b>	<b>100LM4</b>	500	337/346
6.9	25500	256	7930	1.50	X	<b>RM</b>	<b>107R77</b>	<b>(E)DRN</b>	<b>100LM4</b>	700	337/346
8.0	21900	220	8130	1.75	X						
9.1	19100	193	8220	2.0	X						
10	17200	172	8270	2.2	X						
7.1	24700	249	5020	1.05	X	<b>R</b>	<b>97R57</b>	<b>(E)DRN</b>	<b>100LM4</b>	345	334/346
7.5	23000	234	5280	1.15	X	<b>RF</b>	<b>97R57</b>	<b>(E)DRN</b>	<b>100LM4</b>	385	335/346
8.4	20600	209	5600	1.30	X	<b>RM</b>	<b>97R57</b>	<b>(E)DRN</b>	<b>100LM4</b>	495	335/346
7.8	22800	227	5300	1.15	X	<b>R</b>	<b>97R57</b>	<b>(E)DRN</b>	<b>100LM4</b>	340	334/346
						<b>RF</b>	<b>97R57</b>	<b>(E)DRN</b>	<b>100LM4</b>	375	335/346
						<b>RM</b>	<b>97R57</b>	<b>(E)DRN</b>	<b>100LM4</b>	490	335/346
6.7	28100	262.65	9660	1.90	X						
7.3	25700	240.48	9660	2.1	X						
8.3	22700	212.46	9660	2.3	X						
9.8	19300	180.23	9660	2.8	X	<b>R</b>	<b>127</b>	<b>(E)DRN</b>	<b>100LM4</b>	540	338
11	17800	165.95	9660	3.0	X	<b>RF</b>	<b>127</b>	<b>(E)DRN</b>	<b>100LM4</b>	570	339
12	15900	148.33	9660	3.3	X	<b>RM</b>	<b>127</b>	<b>(E)DRN</b>	<b>100LM4</b>	780	339
13	14300	133.53	9660	3.7	X						
15	12900	120.92	9660	4.1	X						
16	11500	107.23	9660	4.6	X						
5.8	32500	203.16	7290	1.15		<b>R</b>	<b>107</b>	<b>DRN</b>	<b>132S6</b>	465	336
6.8	27600	172.34	7760	1.40		<b>RF</b>	<b>107</b>	<b>DRN</b>	<b>132S6</b>	475	337
7.4	25400	158.68	7940	1.50		<b>RM</b>	<b>107</b>	<b>DRN</b>	<b>132S6</b>	670	337
8.3	22700	141.83	8110	1.65							
7.0	26900	251.15	7820	1.40	X						
7.7	24600	229.95	8000	1.55	X						
8.7	21700	203.16	8140	1.75	X						
10	18400	172.34	8240	2.1	X	<b>R</b>	<b>107</b>	<b>(E)DRN</b>	<b>100LM4</b>	420	336
11	17000	158.68	8280	2.2	X	<b>RF</b>	<b>107</b>	<b>(E)DRN</b>	<b>100LM4</b>	435	337
12	15200	141.83	8330	2.5	X	<b>RM</b>	<b>107</b>	<b>(E)DRN</b>	<b>100LM4</b>	630	337
14	13600	127.68	8360	2.8	X						
15	12400	115.63	8380	3.1	X						
17	10900	102.53	8310	3.5	X						
19	9940	92.70	8070	3.8	X						
8.2	23200	216.28	3940	1.15	X						
9.5	19900	186.30	4900	1.35	X						
10	18200	170.02	5430	1.45	X						
12	16100	150.78	6050	1.65	X	<b>R</b>	<b>97</b>	<b>(E)DRN</b>	<b>100LM4</b>	295	334
14	13500	126.75	6200	1.95	X	<b>RF</b>	<b>97</b>	<b>(E)DRN</b>	<b>100LM4</b>	330	335
15	12400	116.48	6240	2.1	X	<b>RM</b>	<b>97</b>	<b>(E)DRN</b>	<b>100LM4</b>	445	335
17	11000	103.44	6280	2.4	X						
19	9920	92.48	6320	2.7	X						
21	8910	83.15	6250	3.0	X						
24	7740	72.17	6000	3.4	X						

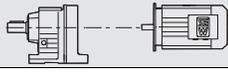
21933480/EN-US - 04/2018

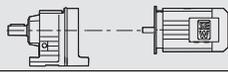
<b>P<sub>m</sub> = 3.0 HP</b>												
<b>n<sub>a</sub></b> rpm	<b>T<sub>a</sub></b> lb-in	<b>i</b> ratio	<b>F<sub>Ra</sub><sup>1)</sup></b> lb	<b>SEW SF</b> f <sub>B</sub>	<b>HazLoc</b> -NA®			<b>m</b> lbs				
27	6990	65.21	5830	3.8	X	R	97	(E)DRN	100LM4	295	334	
29	6420	59.92	5680	4.1	X		RF	97	(E)DRN	100LM4	330	335
33	5700	53.21	5490	4.7	X		RM	97	(E)DRN	100LM4	445	335
37	5100	47.58	5310	5.2	X							
14	13400	124.97	2930	1.00	X							
15	12700	118.43*	3190	1.10	X							
17	11100	103.65	3770	1.25	X							
19	10000	93.38	4170	1.35	X							
22	8780	81.92	4460	1.55	X							
24	7780	72.57	4490	1.75	X	R	87	(E)DRN	100LM4	200	331	
28	6830	63.68*	4490	2.0	X	RF	87	(E)DRN	100LM4	220	332	
29	6470	60.35*	4490	2.1	X	RM	87	(E)DRN	100LM4	285	332	
33	5660	52.82	4480	2.4	X							
37	5100	47.58	4350	2.7	X							
42	4470	41.74	4190	3.1	X							
48	3950	36.84*	4040	3.5	X							
54	3500	32.66*	3900	3.9	X							
51	3690	34.40*	3960	3.6	X	R	87	(E)DRN	100LM4	200	331	
56	3360	31.40	3850	4.1	X	RF	87	(E)DRN	100LM4	215	332	
63	2980	27.84*	3720	4.6	X	RM	87	(E)DRN	100LM4	280	332	
75	2510	23.40	3520	5.5	X							
82	2300	21.51	3440	5.8	X							
27	7050	65.77	2280	1.05	X							
31	6180	57.68	2450	1.15	X							
34	5580	52.07	2550	1.30	X							
38	4910	45.81	2650	1.50	X	R	77	(E)DRN	100LM4	145	328	
41	4640	43.26	2690	1.55	X	RF	77	(E)DRN	100LM4	155	329	
48	3950	36.83	2730	1.85	X	RM	77	(E)DRN	100LM4	210	329	
53	3590	33.47	2660	2.0	X							
61	3110	29.00	2560	2.3	X							
70	2700	25.23	2470	2.5	X							
75	2500	23.37	2410	2.9	X							
82	2290	21.43	2360	3.2	X	R	77	(E)DRN	100LM4	140	328	
94	2010	18.80	2270	3.4	X	RF	77	(E)DRN	100LM4	155	329	
99	1910	17.82*	2230	3.6	X	RM	77	(E)DRN	100LM4	210	329	
113	1670	15.60	2150	3.9	X							
125	1500	14.05	2080	4.2	X							
38	4960	46.29	1800	1.05	X							
44	4270	39.88*	1960	1.20	X	R	67	(E)DRN	100LM4	130	325	
47	4020	37.50	2010	1.25	X	RF	67	(E)DRN	100LM4	135	326	
55	3460	32.27	2100	1.40	X	RM	67	(E)DRN	100LM4	170	326	
61	3090	28.83	2040	1.50	X							
75	2510	23.44	1940	1.95	X							
89	2130	19.89	1850	2.5	X							
98	1920	17.95	1800	2.7	X							
112	1690	15.79	1740	2.9	X	R	67	(E)DRN	100LM4	125	325	
118	1590	14.91	1710	3.0	X	RF	67	(E)DRN	100LM4	135	326	
139	1360	12.70	1640	3.4	X	RM	67	(E)DRN	100LM4	170	326	
153	1230	11.54	1590	3.6	X							
176	1070	10.00	1530	3.9	X							
203	930	8.70*	1460	4.2	X							
226	830	7.79	1420	4.0	X							
47	4000	37.30*	1120	1.00	X	R	57	(E)DRN	100LM4	115	322	
50	3760	35.07	1110	1.05	X	RF	57	(E)DRN	100LM4	120	323	
58	3230	30.18	1090	1.25	X	RM	57	(E)DRN	100LM4	150	323	
65	2890	26.97	1070	1.40	X							
80	2350	21.93	1030	1.70	X							
95	1990	18.60*	1000	2.0	X							
105	1800	16.79	980	2.2	X							
119	1580	14.77*	950	2.4	X	R	57	(E)DRN	100LM4	115	322	
126	1490	13.95*	940	2.5	X	RF	57	(E)DRN	100LM4	120	323	
148	1270	11.88	900	2.8	X	RM	57	(E)DRN	100LM4	145	323	
163	1150	10.79	880	3.0	X							
188	1000	9.35	850	3.3	X							
194	970	9.06	840	3.4	X							
221	850	7.97	810	3.7	X							

<b>P<sub>m</sub> = 3.0 HP</b>											
<b>n<sub>a</sub></b> rpm	<b>T<sub>a</sub></b> lb-in	<b>i</b> ratio	<b>F<sub>Ra</sub><sup>1)</sup></b> lb	<b>SEW SF</b> f <sub>B</sub>	<b>HazLoc</b> -NA®					<b>m</b> lbs	
<b>75</b>	2530	23.59	790	1.05	X	<b>R</b>	<b>47</b>	<b>(E)DRN</b>	<b>100LM4</b>	105	319
						<b>RF</b>	<b>47</b>	<b>(E)DRN</b>	<b>100LM4</b>	105	320
<b>91</b>	2060	19.27	770	1.25	X						
<b>109</b>	1730	16.22	745	1.40	X						
<b>121</b>	1560	14.56	730	1.50	X						
<b>140</b>	1340	12.54	705	1.65	X						
<b>149</b>	1260	11.79	700	1.70	X						
<b>174</b>	1080	10.15	675	1.85	X						
<b>194</b>	970	9.07	655	2.0	X						
<b>220</b>	850	8.01	635	2.1	X	<b>R</b>	<b>47</b>	<b>(E)DRN</b>	<b>100LM4</b>	100	319
<b>227</b>	830	7.76*	620	1.75	X	<b>RF</b>	<b>47</b>	<b>(E)DRN</b>	<b>100LM4</b>	100	320
<b>253</b>	745	6.96	605	1.90	X						
<b>294</b>	640	6.00	580	2.1	X						
<b>312</b>	605	5.64*	575	2.3	X						
<b>363</b>	520	4.85	550	2.5	X						
<b>406</b>	465	4.34	535	2.8	X						
<b>460</b>	410	3.83	515	3.1	X						
<b>113</b>	1670	15.60	395	1.05	X						
<b>133</b>	1420	13.25	490	1.20	X						
<b>149</b>	1260	11.83	545	1.30	X						
<b>174</b>	1080	10.11	600	1.40	X						
<b>186</b>	1010	9.47	620	1.45	X						
<b>221</b>	850	7.97	600	1.60	X	<b>R</b>	<b>37</b>	<b>(E)DRN</b>	<b>100LM4</b>	94	316
<b>264</b>	715	6.67	570	1.80	X	<b>RF</b>	<b>37</b>	<b>(E)DRN</b>	<b>100LM4</b>	97	317
<b>311</b>	605	5.67	545	2.1	X						
<b>348</b>	540	5.06	530	2.2	X						
<b>408</b>	460	4.32	510	2.4	X						
<b>435</b>	430	4.05	505	2.5	X						
<b>517</b>	365	3.41	480	2.7	X						
<b>529</b>	355	6.67	480	3.6							
<b>622</b>	300	5.67	455	4.1		<b>R</b>	<b>37</b>	<b>DRN</b>	<b>90L2</b>	69	316
<b>697</b>	270	5.06	445	4.4		<b>RF</b>	<b>37</b>	<b>DRN</b>	<b>90L2</b>	72	317
<b>816</b>	230	4.32	425	4.8							
<b>871</b>	215	4.05	415	5.0							
<b>1035</b>	183	3.41	395	5.4							
<b>174</b>	1080	10.13	335	1.00							
<b>267</b>	705	6.59	320	1.35	X						
<b>315</b>	600	5.60*	345	1.45	X						
<b>352</b>	535	5.00*	340	1.55	X	<b>R</b>	<b>27</b>	<b>(E)DRN</b>	<b>100LM4</b>	81	313
<b>413</b>	455	4.27	330	1.70	X	<b>RF</b>	<b>27</b>	<b>(E)DRN</b>	<b>100LM4</b>	81	314
<b>440</b>	425	4.00*	325	1.75	X						
<b>523</b>	360	3.37	315	1.95	X						
<b>462</b>	405	7.63*	320	2.4							
<b>535</b>	350	6.59	310	2.6		<b>R</b>	<b>27</b>	<b>DRN</b>	<b>90L2</b>	56	313
<b>629</b>	300	5.60*	300	2.9		<b>RF</b>	<b>27</b>	<b>DRN</b>	<b>90L2</b>	56	314
<b>705</b>	265	5.00*	290	3.1							
<b>825</b>	225	4.27	280	3.4							
<b>881</b>	210	4.00*	275	3.5							
<b>1045</b>	181	3.37	265	3.9							
<b>373</b>	505	4.73	1090	2.1	X						
<b>436</b>	430	4.04*	1040	2.9	X						
<b>476</b>	395	3.70	1010	3.4	X						
<b>542</b>	345	3.25*	970	4.6	X						
<b>572</b>	330	3.08*	960	5.2	X	<b>RX</b>	<b>77</b>	<b>(E)DRN</b>	<b>100LM4</b>	120	299
<b>654</b>	285	2.70	920	6.6	X	<b>RXF</b>	<b>77</b>	<b>(E)DRN</b>	<b>100LM4</b>	125	300
<b>726</b>	260	2.43	890	7.3	X						
<b>827</b>	225	2.13	860	7.7	X						
<b>937</b>	200	1.88*	820	8.2	X						
<b>1055</b>	179	1.67	790	8.6	X						
<b>1240</b>	153	1.42	755	9.0	X						

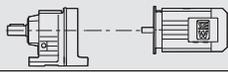
21933480/EN-US - 04/2018

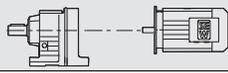
<b>P<sub>m</sub> = 3.0 HP</b>							<b>m lbs</b>				
<b>n<sub>a</sub> rpm</b>	<b>T<sub>a</sub> lb-in</b>	<b>i ratio</b>	<b>F<sub>Ra</sub><sup>1)</sup> lb</b>	<b>SEW SF f<sub>B</sub></b>	<b>HazLoc -NA<sup>®</sup></b>						
467	400	3.77	695	1.90	X	<b>RX</b>	<b>67</b>	<b>(E)DRN</b>	<b>100LM4</b>	<b>100</b>	<b>297</b>
551	340	3.20*	660	2.6	X						
610	305	2.89	645	3.0	X						
693	270	2.54	620	3.8	X						
734	255	2.40*	610	4.2	X						
862	215	2.04	580	5.4	X						
949	199	1.86	565	5.6	X						
1095	173	1.61	540	5.8	X						
1260	150	1.40*	520	6.1	X						
562	335	3.14	520	1.70	X						
667	280	2.64*	495	2.2	X						
743	250	2.37	480	2.4	X						
863	215	2.04	460	2.8	X						
918	205	1.92*	455	3.0	X						
1065	177	1.65	435	3.4	X						
1195	158	1.48	420	3.8	X						
1350	140	1.30	405	4.0	X						

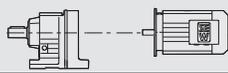
<b>P<sub>m</sub> = 4.0 HP</b>							<b>m lbs</b>										
<b>n<sub>a</sub> rpm</b>	<b>T<sub>a</sub> lb-in</b>	<b>i ratio</b>	<b>F<sub>Ra</sub><sup>1)</sup> lb</b>	<b>SEW SF f<sub>B</sub></b>	<b>HazLoc -NA<sup>®</sup></b>												
1.6	146900	1123	27000	1.10	X	<b>R</b>	<b>167R97</b>	<b>(E)DRN</b>	<b>100L4</b>	<b>1710</b>	<b>344/346</b>						
1.8	130700	999	27000	1.20	X												
2.0	112600	861	27000	1.40	X												
2.3	99600	760	27000	1.60	X												
2.7	83500	656	27000	1.90	X												
3.5	64000	503	27000	2.5	X	<b>RF</b>	<b>167R97</b>	<b>(E)DRN</b>	<b>100L4</b>	<b>1720</b>	<b>345/346</b>						
3.3	69000	533	15800	1.65	X												
3.8	59400	462	16100	1.95	X												
4.1	55800	426	16200	2.1	X												
4.8	48200	368	16300	2.4	X												
5.4	42600	326	16400	2.7	X	<b>RM</b>	<b>167R97</b>	<b>(E)DRN</b>	<b>100L4</b>	<b>2160</b>	<b>345/346</b>						
6.3	36000	280	16500	3.2	X												
2.0	117300	889	14000	1.00	X												
2.2	103300	784	14600	1.10	X												
2.5	91400	695	15100	1.25	X												
2.9	82000	619	15500	1.40	X	<b>R</b>	<b>147R77</b>	<b>(E)DRN</b>	<b>100L4</b>	<b>990</b>	<b>342/346</b>						
3.2	73800	558	15700	1.55	X												
3.6	64400	490	12300	1.10	X												
4.1	56200	428	12700	1.25	X												
4.6	50500	381	12900	1.40	X												
5.5	42800	323	13200	1.65	X	<b>RF</b>	<b>137R77</b>	<b>(E)DRN</b>	<b>100L4</b>	<b>700</b>	<b>340/346</b>						
6.0	38500	291	13300	1.85	X												
6.9	33700	255	13400	2.1	X												
7.9	29500	223	13500	2.4	X												
3.4	69500	517	12100	1.00	X							<b>RM</b>	<b>137R77</b>	<b>(E)DRN</b>	<b>100L4</b>	<b>720</b>	<b>341/346</b>
3.9	60900	453	12500	1.15	X												
4.3	53500	407	9660	1.00	X												
4.6	51000	386	9660	1.05	X												
5.9	39300	298	9660	1.35	X												
7.0	33300	253	9660	1.60	X	<b>R</b>	<b>127R77</b>	<b>(E)DRN</b>	<b>100L4</b>	<b>630</b>	<b>338/346</b>						
4.5	53000	394	9660	1.00	X												
5.4	43800	327	9660	1.20	X												
6.8	34500	259	9660	1.55	X												
8.7	26900	202	9660	1.95	X												
11	21700	162	9660	2.4	X	<b>RF</b>	<b>127R77</b>	<b>(E)DRN</b>	<b>100L4</b>	<b>650</b>	<b>339/346</b>						
14	16700	126	9660	3.2	X												
7.0	33200	253	7210	1.15	X												
8.2	28200	214	7710	1.35	X												
9.4	24600	187	8000	1.55	X												
6.9	34200	256	7100	1.10	X	<b>R</b>	<b>107R77</b>	<b>(E)DRN</b>	<b>100L4</b>	<b>490</b>	<b>336/346</b>						
												<b>RF</b>	<b>107R77</b>	<b>(E)DRN</b>	<b>100L4</b>	<b>500</b>	<b>337/346</b>

<b>P<sub>m</sub> = 4.0 HP</b>									
<b>n<sub>a</sub></b> <b>rpm</b>	<b>T<sub>a</sub></b> <b>lb-in</b>	<b>i</b> <b>ratio</b>	<b>F<sub>Ra</sub><sup>1)</sup></b> <b>lb</b>	<b>SEW SF</b> <b>f<sub>B</sub></b>	<b>HazLoc</b> <b>-NA<sup>®</sup></b>			<b>m</b> <b>lbs</b>	
6.7	37500	262.65	9660	1.40	X				
7.3	34300	240.48	9660	1.55	X				
8.3	30300	212.46	9660	1.75	X				
9.8	25700	180.23	9660	2.1	X				
11	23700	165.95	9660	2.2	X				
12	21200	148.33	9660	2.5	X	<b>R</b>	<b>127</b>	<b>(E)DRN 100L4</b>	<b>540 338</b>
13	19000	133.53	9660	2.8	X	<b>RF</b>	<b>127</b>	<b>(E)DRN 100L4</b>	<b>570 339</b>
15	17200	120.92	9660	3.1	X	<b>RM</b>	<b>127</b>	<b>(E)DRN 100L4</b>	<b>780 339</b>
16	15300	107.23	9660	3.5	X				
18	13800	96.95	9660	3.8	X				
21	12100	85.26	9660	4.4	X				
21	11700	82.17	9660	4.5	X				
23	10800	76.21	9660	4.9	X				
7.4	33900	158.68	7140	1.10		<b>R</b>	<b>107</b>	<b>DRN 132S6</b>	<b>465 336</b>
8.3	30300	141.83	7510	1.25		<b>RF</b>	<b>107</b>	<b>DRN 132S6</b>	<b>475 337</b>
9.2	27300	127.68	7790	1.40		<b>RM</b>	<b>107</b>	<b>DRN 132S6</b>	<b>670 337</b>
7.7	32800	229.95	7260	1.15	X				
8.7	29000	203.16	7640	1.30	X				
10	24600	172.34	8000	1.55	X				
11	22600	158.68	8110	1.70	X				
12	20200	141.83	8190	1.90	X	<b>R</b>	<b>107</b>	<b>(E)DRN 100L4</b>	<b>420 336</b>
14	18200	127.68	8250	2.1	X	<b>RF</b>	<b>107</b>	<b>(E)DRN 100L4</b>	<b>435 337</b>
15	16500	115.63	8290	2.3	X	<b>RM</b>	<b>107</b>	<b>(E)DRN 100L4</b>	<b>630 337</b>
17	14600	102.53	8160	2.6	X				
19	13200	92.70	7930	2.9	X				
22	11200	78.57	7560	3.4	X				
24	10400	72.88	7390	3.6	X				
12	21500	150.78	4430	1.25	X				
14	18100	126.75	5460	1.45	X				
15	16600	116.48	5900	1.60	X				
17	14700	103.44	6160	1.80	X				
19	13200	92.48	6210	2.0	X				
21	11800	83.15	6100	2.2	X	<b>R</b>	<b>97</b>	<b>(E)DRN 100L4</b>	<b>295 334</b>
24	10300	72.17	5870	2.6	X	<b>RF</b>	<b>97</b>	<b>(E)DRN 100L4</b>	<b>330 335</b>
27	9320	65.21	5700	2.9	X	<b>RM</b>	<b>97</b>	<b>(E)DRN 100L4</b>	<b>445 335</b>
29	8560	59.92	5570	3.1	X				
33	7600	53.21	5390	3.5	X				
37	6800	47.58	5220	3.9	X				
41	6110	42.78	5060	4.3	X				
47	5300	37.13	4850	5.0	X				
53	4750	33.25	4700	5.4	X				
19	13300	93.38	2950	1.05	X				
22	11700	81.92	3550	1.15	X				
24	10300	72.57	4040	1.30	X				
28	9100	63.68*	4430	1.50	X				
29	8620	60.35*	4480	1.60	X	<b>R</b>	<b>87</b>	<b>(E)DRN 100L4</b>	<b>200 331</b>
33	7550	52.82	4360	1.80	X	<b>RF</b>	<b>87</b>	<b>(E)DRN 100L4</b>	<b>220 332</b>
37	6800	47.58	4240	2.0	X	<b>RM</b>	<b>87</b>	<b>(E)DRN 100L4</b>	<b>285 332</b>
42	5960	41.74	4090	2.3	X				
48	5260	36.84*	3960	2.6	X				
54	4660	32.66*	3820	2.9	X				
63	3980	27.88	3650	3.3	X				
51	4910	34.40*	3880	2.7	X				
56	4480	31.40	3780	3.1	X				
63	3980	27.84*	3650	3.5	X	<b>R</b>	<b>87</b>	<b>(E)DRN 100L4</b>	<b>200 331</b>
75	3340	23.40	3470	4.1	X	<b>RF</b>	<b>87</b>	<b>(E)DRN 100L4</b>	<b>215 332</b>
82	3070	21.51	3390	4.3	X	<b>RM</b>	<b>87</b>	<b>(E)DRN 100L4</b>	<b>280 332</b>
92	2730	19.10	3270	4.7	X				
103	2440	17.08*	3160	5.0	X				
115	2190	15.35	3060	5.4	X				
38	6540	45.81	2380	1.10	X				
41	6180	43.26	2450	1.15	X	<b>R</b>	<b>77</b>	<b>(E)DRN 100L4</b>	<b>145 328</b>
48	5260	36.83	2600	1.40	X	<b>RF</b>	<b>77</b>	<b>(E)DRN 100L4</b>	<b>155 329</b>
53	4780	33.47	2570	1.50	X	<b>RM</b>	<b>77</b>	<b>(E)DRN 100L4</b>	<b>210 329</b>
61	4140	29.00	2480	1.75	X				
70	3600	25.23	2400	1.90	X				

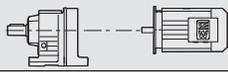
21933480/EN-US - 04/2018

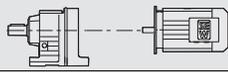
<b>P<sub>m</sub> = 4.0 HP</b>									
<b>n<sub>a</sub></b> rpm	<b>T<sub>a</sub></b> lb-in	<b>i</b> ratio	<b>F<sub>Ra</sub><sup>1)</sup></b> lb	<b>SEW SF</b> f <sub>B</sub>	<b>HazLoc</b> -NA <sup>®</sup>			<b>m</b> lbs	
75	3340	23.37	2350	2.2	X				
82	3060	21.43	2300	2.4	X				
94	2680	18.80	2220	2.6	X				
99	2540	17.82*	2190	2.7	X				
113	2220	15.60	2110	2.9	X				
125	2000	14.05	2040	3.2	X	R	77	(E)DRN 100L4	140 328
143	1760	12.33	1970	3.5	X	RF	77	(E)DRN 100L4	155 329
162	1550	10.88	1900	3.8	X	RM	77	(E)DRN 100L4	210 329
183	1370	9.64	1830	4.0	X				
205	1220	8.59	1780	4.5	X				
228	1100	7.74	1730	4.9	X				
260	970	6.79	1660	5.3	X				
75	3350	23.44	1870	1.50	X				
89	2840	19.89	1790	1.85	X				
98	2560	17.95	1750	2.0	X	R	67	(E)DRN 100L4	125 325
112	2250	15.79	1690	2.2	X	RF	67	(E)DRN 100L4	135 326
118	2130	14.91	1670	2.3	X	RM	67	(E)DRN 100L4	170 326
139	1810	12.70	1600	2.5	X				
153	1640	11.54	1560	2.7	X				
176	1420	10.00	1500	2.9	X				
65	3850	26.97	980	1.05	X	R	57	(E)DRN 100L4	115 322
						RF	57	(E)DRN 100L4	120 323
						RM	57	(E)DRN 100L4	150 323
80	3130	21.93	960	1.25	X				
95	2650	18.60*	940	1.50	X				
105	2400	16.79	920	1.65	X				
119	2110	14.77*	900	1.80	X				
126	1990	13.95*	890	1.90	X				
148	1690	11.88	860	2.1	X				
163	1540	10.79	840	2.2	X	R	57	(E)DRN 100L4	115 322
189	1330	9.35	820	2.5	X	RF	57	(E)DRN 100L4	120 323
195	1290	9.06	810	2.6	X	RM	57	(E)DRN 100L4	145 323
221	1130	7.97	790	2.8	X				
234	1070	7.53	775	2.9	X				
275	910	6.41	745	3.2	X				
303	830	5.82	725	3.4	X				
349	720	5.05	700	3.7	X				
402	625	4.39	675	4.0	X				
109	2310	16.22	670	1.05	X				
121	2080	14.56	680	1.15	X				
141	1790	12.54	665	1.25	X				
149	1680	11.79	660	1.30	X				
174	1450	10.15	640	1.40	X				
194	1290	9.07	625	1.50	X				
220	1140	8.01	610	1.60	X	R	47	(E)DRN 100L4	100 319
227	1100	7.76*	590	1.30	X	RF	47	(E)DRN 100L4	100 320
253	990	6.96	575	1.40	X				
294	850	6.00	560	1.60	X				
313	800	5.64*	550	1.70	X				
363	690	4.85	530	1.90	X				
407	615	4.34	515	2.1	X				
460	545	3.83	500	2.3	X				
174	1440	10.11	340	1.05	X				
186	1350	9.47	380	1.10	X				
221	1130	7.97	455	1.20	X				
264	950	6.67	400	1.35	X				
311	800	5.67	455	1.55	X	R	37	(E)DRN 100L4	94 316
348	720	5.06	485	1.65	X	RF	37	(E)DRN 100L4	97 317
408	615	4.32	490	1.80	X				
436	575	4.05	485	1.85	X				
517	485	3.41	465	2.0	X				
527	475	6.67	465	2.7					
621	405	5.67	445	3.1					
695	360	5.06	430	3.3		R	37	DRN 100LM2	94 316
814	305	4.32	415	3.6		RF	37	DRN 100LM2	97 317
869	290	4.05	405	3.7					
1030	240	3.41	390	4.1					

<b>P<sub>m</sub> = 4.0 HP</b>								<b>m lbs</b>		
<b>n<sub>a</sub></b> rpm	<b>T<sub>a</sub></b> lb-in	<b>i</b> ratio	<b>F<sub>Ra</sub><sup>1)</sup></b> lb	<b>SEW SF</b> <b>f<sub>B</sub></b>	<b>HazLoc</b> <b>-NA<sup>®</sup></b>					
315	800	5.60*	193	1.10	X					
353	710	5.00*	235	1.20	X	R	27	(E)DRN	100L4	81 313
413	610	4.27	280	1.25	X	RF	27	(E)DRN	100L4	81 314
441	570	4.00*	295	1.30	X					
523	480	3.37	295	1.45	X					
534	470	6.59	295	2.0		R	27	DRN	100LM2	81 313
628	400	5.60*	285	2.2		RF	27	DRN	100LM2	81 314
703	355	5.00*	280	2.4						
823	305	4.27	270	2.5						
879	285	4.00*	265	2.6						
1045	240	3.37	255	2.9						
373	675	4.73	1070	1.60	X	RX	77	(E)DRN	100L4	120 299
436	575	4.04*	1020	2.2	X	RXF	77	(E)DRN	100L4	125 300
476	525	3.70	1000	2.6	X					
542	460	3.25*	960	3.5	X					
572	440	3.08*	940	3.9	X					
467	535	3.77	670	1.45	X	RX	67	(E)DRN	100L4	100 297
551	455	3.20*	645	1.95	X	RXF	67	(E)DRN	100L4	110 298
610	410	2.89	625	2.3	X					
694	360	2.54	605	2.9	X					
735	340	2.40*	595	3.2	X					
863	290	2.04	570	4.1	X					
949	265	1.86	550	4.2	X					
1095	225	1.61	530	4.4	X					
1260	200	1.40*	510	4.6	X					
562	445	3.14	500	1.30	X	RX	57	(E)DRN	100L4	94 295
668	375	2.64*	480	1.60	X	RXF	57	(E)DRN	100L4	98 296
744	335	2.37	465	1.80	X					
864	290	2.04	450	2.1	X					
918	270	1.92*	440	2.2	X					
1065	235	1.65	425	2.6	X					
1195	210	1.48	410	2.9	X					
1350	186	1.30	395	3.0	X					

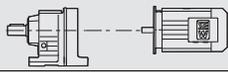
<b>P<sub>m</sub> = 5.0 HP</b>								<b>m lbs</b>		
<b>n<sub>a</sub></b> rpm	<b>T<sub>a</sub></b> lb-in	<b>i</b> ratio	<b>F<sub>Ra</sub><sup>1)</sup></b> lb	<b>SEW SF</b> <b>f<sub>B</sub></b>	<b>HazLoc</b> <b>-NA<sup>®</sup></b>					
1.9	154500	950	27000	1.05	X					
2.0	139200	860	27000	1.15	X	R	167R107	(E)DRN	100L4	1820 344/346
2.3	122500	763	27000	1.30	X	RF	167R107	(E)DRN	100L4	1830 345/346
2.5	110100	690	27000	1.45	X	RM	167R107	(E)DRN	100L4	2260 345/346
3.0	92200	585	27000	1.75	X					
4.0	74000	446	27000	2.1	X	R	167R107	(E)DRN	100L4	1800 344/346
4.4	66000	399	27000	2.4	X	RF	167R107	(E)DRN	100L4	1820 345/346
4.9	59300	361	27000	2.7	X	RM	167R107	(E)DRN	100L4	2250 345/346
5.4	53600	328	27000	3.0	X					
2.0	142000	861	27000	1.10	X	R	167R97	(E)DRN	100L4	1710 344/346
2.3	125600	760	27000	1.25	X	RF	167R97	(E)DRN	100L4	1720 345/346
2.7	105900	656	27000	1.50	X	RM	167R97	(E)DRN	100L4	2160 345/346
3.5	81200	503	27000	1.95	X					
4.7	60800	376	27000	2.6	X					
5.2	54000	335	27000	2.9	X					
3.3	87200	533	15300	1.30	X	R	147R87	(E)DRN	100L4	1030 342/346
3.8	75100	462	15700	1.55	X	RF	147R87	(E)DRN	100L4	1050 343/346
4.1	70400	426	15800	1.65	X	RM	147R87	(E)DRN	100L4	1420 343/346
4.8	60800	368	16100	1.90	X					
5.4	53700	326	16200	2.1	X					
6.3	45600	280	16400	2.5	X					
7.1	40200	247	16500	2.9	X					
2.5	115100	695	14100	1.00	X	R	147R77	(E)DRN	100L4	990 342/346
2.8	103100	619	14600	1.10	X	RF	147R77	(E)DRN	100L4	1000 343/346
3.1	92800	558	15100	1.25	X	RM	147R77	(E)DRN	100L4	1370 343/346
3.6	81300	489	15500	1.40	X					
4.2	68900	415	15800	1.65	X					

21933480/EN-US - 04/2018

<b>P<sub>m</sub> = 5.0 HP</b>										<b>m</b>	
<b>n<sub>a</sub></b> rpm	<b>T<sub>a</sub></b> lb-in	<b>i</b> ratio	<b>F<sub>Ra</sub><sup>1)</sup></b> lb	<b>SEW SF</b> f <sub>B</sub>	<b>HazLoc</b> -NA <sup>®</sup>				<b>lbs</b>		
4.1	70800	428	12000	1.00	X						
4.6	63500	381	12400	1.10	X						
5.4	53800	323	12800	1.30	X						
6.0	48500	291	13000	1.45	X	<b>R</b>	<b>137R77</b>	<b>(E)DRN</b>	<b>100L4</b>	700	340/346
6.9	42300	255	13200	1.65	X	<b>RF</b>	<b>137R77</b>	<b>(E)DRN</b>	<b>100L4</b>	750	341/346
7.9	37100	223	13300	1.90	X	<b>RM</b>	<b>137R77</b>	<b>(E)DRN</b>	<b>100L4</b>	990	341/346
8.9	32700	197	13400	2.2	X						
10	28900	175	13500	2.4	X						
4.7	63400	376	12400	1.10	X	<b>R</b>	<b>137R77</b>	<b>(E)DRN</b>	<b>100L4</b>	670	340/346
5.2	57000	339	12700	1.25	X	<b>RF</b>	<b>137R77</b>	<b>(E)DRN</b>	<b>100L4</b>	720	341/346
5.9	50000	297	12900	1.40	X	<b>RM</b>	<b>137R77</b>	<b>(E)DRN</b>	<b>100L4</b>	970	341/346
5.9	49500	298	9660	1.05	X	<b>R</b>	<b>127R77</b>	<b>(E)DRN</b>	<b>100L4</b>	630	338/346
7.0	41900	253	9660	1.25	X	<b>RF</b>	<b>127R77</b>	<b>(E)DRN</b>	<b>100L4</b>	650	339/346
						<b>RM</b>	<b>127R77</b>	<b>(E)DRN</b>	<b>100L4</b>	870	339/346
6.8	43400	259	9660	1.20	X	<b>R</b>	<b>127R77</b>	<b>(E)DRN</b>	<b>100L4</b>	590	338/346
8.7	33900	202	9660	1.55	X	<b>RF</b>	<b>127R77</b>	<b>(E)DRN</b>	<b>100L4</b>	640	339/346
11	27300	162	9660	1.95	X	<b>RM</b>	<b>127R77</b>	<b>(E)DRN</b>	<b>100L4</b>	850	339/346
14	21100	126	9660	2.5	X						
8.2	35500	214	6950	1.05	X	<b>R</b>	<b>107R77</b>	<b>(E)DRN</b>	<b>100L4</b>	500	336/346
9.4	31000	187	7450	1.25	X	<b>RF</b>	<b>107R77</b>	<b>(E)DRN</b>	<b>100L4</b>	520	337/346
						<b>RM</b>	<b>107R77</b>	<b>(E)DRN</b>	<b>100L4</b>	710	337/346
8.0	37000	220	6760	1.05	X	<b>R</b>	<b>107R77</b>	<b>(E)DRN</b>	<b>100L4</b>	490	336/346
9.1	32400	193	7300	1.15	X	<b>RF</b>	<b>107R77</b>	<b>(E)DRN</b>	<b>100L4</b>	500	337/346
10	29000	172	7630	1.30	X	<b>RM</b>	<b>107R77</b>	<b>(E)DRN</b>	<b>100L4</b>	700	337/346
6.7	47000	262.65	9660	1.15	X						
7.3	43000	240.48	9660	1.25	X						
8.3	38000	212.46	9660	1.40	X						
9.8	32200	180.23	9660	1.65	X						
11	29700	165.95	9660	1.80	X						
12	26500	148.33	9660	2.0	X	<b>R</b>	<b>127</b>	<b>(E)DRN</b>	<b>100L4</b>	540	338
13	23900	133.53	9660	2.2	X	<b>RF</b>	<b>127</b>	<b>(E)DRN</b>	<b>100L4</b>	570	339
15	21600	120.92	9660	2.5	X	<b>RM</b>	<b>127</b>	<b>(E)DRN</b>	<b>100L4</b>	780	339
16	19200	107.23	9660	2.8	X						
18	17300	96.95	9660	3.1	X						
21	15200	85.26	9660	3.5	X						
21	14700	82.17	9660	3.6	X						
23	13600	76.21	9660	3.9	X						
8.7	36400	203.16	6840	1.05	X						
10	30800	172.34	7460	1.25	X						
11	28400	158.68	7690	1.35	X						
12	25400	141.83	7940	1.50	X	<b>R</b>	<b>107</b>	<b>(E)DRN</b>	<b>100L4</b>	420	336
14	22800	127.68	8100	1.65	X	<b>RF</b>	<b>107</b>	<b>(E)DRN</b>	<b>100L4</b>	435	337
15	20700	115.63	8170	1.85	X	<b>RM</b>	<b>107</b>	<b>(E)DRN</b>	<b>100L4</b>	630	337
17	18300	102.53	8010	2.1	X						
19	16600	92.70	7790	2.3	X						
22	14000	78.57	7450	2.7	X						
24	13000	72.88	7290	2.9	X						
12	27000	150.78	2790	1.00							
14	22700	126.75	4080	1.15	X						
15	20800	116.48	4640	1.25	X						
17	18500	103.44	5340	1.45	X						
19	16500	92.48	5930	1.60	X						
21	14800	83.15	5950	1.80	X	<b>R</b>	<b>97</b>	<b>(E)DRN</b>	<b>100L4</b>	295	334
24	12900	72.17	5740	2.0	X	<b>RF</b>	<b>97</b>	<b>(E)DRN</b>	<b>100L4</b>	330	335
27	11600	65.21	5590	2.3	X	<b>RM</b>	<b>97</b>	<b>(E)DRN</b>	<b>100L4</b>	445	335
29	10700	59.92	5470	2.5	X						
33	9530	53.21	5290	2.8	X						
37	8520	47.58	5130	3.1	X						
41	7660	42.78	4980	3.5	X						
47	6650	37.13	4790	4.0	X						
53	5950	33.25	4640	4.3	X						

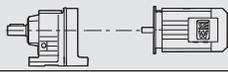
<b>P<sub>m</sub> = 5.0 HP</b>									
<b>n<sub>a</sub></b> <b>rpm</b>	<b>T<sub>a</sub></b> <b>lb-in</b>	<b>i</b> <b>ratio</b>	<b>F<sub>Ra</sub><sup>1)</sup></b> <b>lb</b>	<b>SEW SF</b> <b>f<sub>B</sub></b>	<b>HazLoc</b> <b>-NA<sup>®</sup></b>			<b>m</b> <b>lbs</b>	
24	13000	72.57	3080	1.05	X				
28	11400	63.68*	3660	1.20	X				
29	10800	60.35*	3860	1.25	X				
33	9460	52.82	4010	1.45	X	<b>R</b>	<b>87</b>	<b>(E)DRN 100L4</b>	200 331
37	8520	47.58	4100	1.60	X	<b>RF</b>	<b>87</b>	<b>(E)DRN 100L4</b>	220 332
42	7480	41.74	4010	1.85	X	<b>RM</b>	<b>87</b>	<b>(E)DRN 100L4</b>	285 332
48	6600	36.84*	3880	2.1	X				
54	5850	32.66*	3760	2.3	X				
63	4990	27.88	3600	2.7	X				
51	6160	34.40*	3810	2.1	X				
56	5620	31.40	3720	2.4	X				
63	4980	27.84*	3600	2.8	X	<b>R</b>	<b>87</b>	<b>(E)DRN 100L4</b>	200 331
75	4190	23.40	3420	3.3	X	<b>RF</b>	<b>87</b>	<b>(E)DRN 100L4</b>	215 332
82	3850	21.51	3340	3.4	X	<b>RM</b>	<b>87</b>	<b>(E)DRN 100L4</b>	280 332
92	3420	19.10	3230	3.7	X				
103	3060	17.08*	3130	4.0	X				
114	2750	15.35	3030	4.3	X				
48	6600	36.83	2370	1.10	X	<b>R</b>	<b>77</b>	<b>(E)DRN 100L4</b>	145 328
53	5990	33.47	2480	1.20	X	<b>RF</b>	<b>77</b>	<b>(E)DRN 100L4</b>	155 329
61	5190	29.00	2410	1.40	X	<b>RM</b>	<b>77</b>	<b>(E)DRN 100L4</b>	210 329
70	4520	25.23	2330	1.55	X				
75	4180	23.37	2290	1.75	X				
82	3830	21.43	2240	1.90	X				
93	3360	18.80	2170	2.0	X				
99	3190	17.82*	2140	2.2	X				
113	2790	15.60	2070	2.3	X	<b>R</b>	<b>77</b>	<b>(E)DRN 100L4</b>	140 328
125	2510	14.05	2010	2.5	X	<b>RF</b>	<b>77</b>	<b>(E)DRN 100L4</b>	155 329
143	2200	12.33	1940	2.8	X	<b>RM</b>	<b>77</b>	<b>(E)DRN 100L4</b>	210 329
162	1940	10.88	1870	3.0	X				
182	1720	9.64	1810	3.2	X				
205	1530	8.59	1760	3.6	X				
227	1380	7.74	1710	3.9	X				
259	1210	6.79	1640	4.2	X				
75	4200	23.44	1800	1.20	X				
88	3560	19.89	1740	1.50	X				
98	3210	17.95	1700	1.60	X				
111	2830	15.79	1650	1.75	X				
118	2670	14.91	1620	1.80	X				
138	2270	12.70	1560	2.0	X	<b>R</b>	<b>67</b>	<b>(E)DRN 100L4</b>	125 325
152	2060	11.54	1520	2.1	X	<b>RF</b>	<b>67</b>	<b>(E)DRN 100L4</b>	135 326
176	1790	10.00	1470	2.3	X	<b>RM</b>	<b>67</b>	<b>(E)DRN 100L4</b>	170 326
202	1550	8.70*	1410	2.5	X				
226	1390	7.79	1370	2.4	X				
239	1310	7.36*	1350	2.5	X				
281	1120	6.27	1290	2.6	X				
309	1020	5.70	1260	2.7	X				
356	880	4.93	1210	2.9	X				
80	3920	21.93	890	1.00	X				
95	3330	18.60*	880	1.20	X				
105	3000	16.79	870	1.30	X				
119	2640	14.77*	850	1.45	X				
126	2490	13.95*	840	1.50	X				
148	2120	11.88	820	1.70	X				
163	1930	10.79	810	1.80	X	<b>R</b>	<b>57</b>	<b>(E)DRN 100L4</b>	115 322
188	1670	9.35	785	1.95	X	<b>RF</b>	<b>57</b>	<b>(E)DRN 100L4</b>	120 323
194	1620	9.06	785	2.0	X	<b>RM</b>	<b>57</b>	<b>(E)DRN 100L4</b>	145 323
221	1420	7.97	765	2.2	X				
234	1340	7.53	755	2.3	X				
274	1140	6.41	725	2.6	X				
302	1040	5.82	710	2.7	X				
348	900	5.05	685	3.0	X				
400	785	4.39	660	3.1	X				

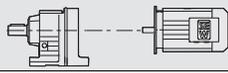
21933480/EN-US - 04/2018

<b>P<sub>m</sub> = 5.0 HP</b>											
<b>n<sub>a</sub></b> rpm	<b>T<sub>a</sub></b> lb-in	<b>i</b> ratio	<b>F<sub>Ra</sub><sup>1)</sup></b> lb	<b>SEW SF</b> f <sub>B</sub>	<b>HazLoc</b> -NA <sup>®</sup>			<b>m</b> lbs			
140	2240	12.54	545	1.00							
149	2110	11.79	590	1.05	X						
173	1810	10.15	605	1.10	X						
194	1620	9.07	595	1.20	X						
219	1430	8.01	585	1.25	X						
227	1380	7.76*	560	1.05	X	R	47	(E)DRN	100L4	100	319
252	1240	6.96	550	1.15	X	RF	47	(E)DRN	100L4	100	320
293	1070	6.00	535	1.30	X						
312	1010	5.64*	530	1.35	X						
362	860	4.85	515	1.55	X						
405	775	4.34	500	1.65	X						
459	685	3.83	485	1.85	X						
438	715	8.01	505	2.5		R	47	DRN	100L2	100	319
452	695	7.76*	490	2.1		RF	47	DRN	100L2	100	320
504	625	6.96	475	2.2							
264	1190	6.67	197	1.05	X						
310	1010	5.67	285	1.25	X						
348	900	5.06	335	1.30	X	R	37	(E)DRN	100L4	94	316
407	770	4.32	390	1.45	X	RF	37	(E)DRN	100L4	97	317
434	725	4.05	410	1.50	X						
516	610	3.41	445	1.60	X						
371	850	9.47	465	1.75							
440	715	7.97	470	1.95							
526	595	6.67	445	2.1							
619	505	5.67	430	2.5		R	37	DRN	100L2	94	316
693	450	5.06	420	2.6		RF	37	DRN	100L2	97	317
812	385	4.32	405	2.9							
867	360	4.05	400	3.0							
1030	305	3.41	380	3.2							
412	765	4.27	148	1.00	X	R	27	(E)DRN	100L4	81	313
440	715	4.00*	172	1.05	X	RF	27	(E)DRN	100L4	81	314
522	600	3.37	225	1.15	X						
532	590	6.59	230	1.60							
626	500	5.60*	265	1.75							
702	445	5.00*	265	1.85		R	27	DRN	100L2	81	313
821	380	4.27	260	2.0		RF	27	DRN	100L2	81	314
877	355	4.00*	255	2.1							
1040	300	3.37	245	2.3							
372	840	4.73	1040	1.30	X						
435	720	4.04*	1000	1.75	X						
475	660	3.70	980	2.0	X	RX	77	(E)DRN	100L4	120	299
541	580	3.25*	940	2.8	X	RXF	77	(E)DRN	100L4	125	300
571	550	3.08*	930	3.1	X						
466	675	3.77	650	1.15	X						
549	570	3.20*	625	1.55	X						
609	515	2.89	610	1.80	X						
692	455	2.54	590	2.3	X						
732	430	2.40*	580	2.5	X	RX	67	(E)DRN	100L4	100	297
860	365	2.04	555	3.2	X	RXF	67	(E)DRN	100L4	110	298
947	330	1.86	540	3.4	X						
1095	285	1.61	520	3.5	X						
1255	250	1.40*	500	3.7	X						
561	560	3.14	480	1.00	X						
666	470	2.64*	460	1.30	X						
742	420	2.37	450	1.45	X						
861	365	2.04	435	1.65	X	RX	57	(E)DRN	100L4	94	295
916	340	1.92*	425	1.75	X	RXF	57	(E)DRN	100L4	98	296
1065	295	1.65	410	2.1	X						
1190	260	1.48	400	2.3	X						
1350	230	1.30	385	2.4	X						

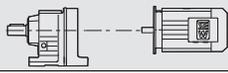
<b>P<sub>m</sub> = 5.4 HP</b>											
<b>n<sub>a</sub></b> rpm	<b>T<sub>a</sub></b> lb-in	<b>i</b> ratio	<b>F<sub>Ra</sub><sup>1)</sup></b> lb	<b>SEW SF</b> <b>f<sub>B</sub></b>	<b>HazLoc</b> <b>-NA<sup>®</sup></b>					<b>m</b> lbs	
2.1	149800	860	27000	1.05	X	R	167R107	(E)DRN	112M4	1830	344/346
2.3	131900	763	27000	1.20	X	RF	167R107	(E)DRN	112M4	1850	345/346
2.6	118600	690	27000	1.35	X	RM	167R107	(E)DRN	112M4	2280	345/346
3.0	99400	585	27000	1.60	X						
4.0	79600	446	27000	2.0	X	R	167R107	(E)DRN	112M4	1820	344/346
4.4	71000	399	27000	2.2	X	RF	167R107	(E)DRN	112M4	1830	345/346
4.9	63800	361	27000	2.5	X	RM	167R107	(E)DRN	112M4	2260	345/346
5.4	57700	328	27000	2.8	X						
2.0	152700	861	27000	1.05	X						
2.3	135000	760	27000	1.20	X	R	167R97	(E)DRN	112M4	1730	344/346
2.7	114000	656	27000	1.40	X	RF	167R97	(E)DRN	112M4	1740	345/346
3.5	87400	503	27000	1.80	X	RM	167R97	(E)DRN	112M4	2170	345/346
4.7	65400	376	27000	2.4	X						
5.3	58200	335	27000	2.7	X						
3.3	93800	533	15000	1.25	X						
3.8	80800	462	15500	1.40	X						
4.2	75600	426	15700	1.50	X						
4.8	65300	368	15900	1.75	X	R	147R87	(E)DRN	112M4	1050	342/346
5.4	57800	326	16100	2.0	X	RF	147R87	(E)DRN	112M4	1070	343/346
6.3	49000	280	16300	2.3	X	RM	147R87	(E)DRN	112M4	1440	343/346
7.2	43200	247	16400	2.7	X						
8.3	37300	214	16500	3.1	X						
9.4	33000	189	16600	3.5	X						
11	27700	159	16600	4.1	X						
2.9	110800	619	14300	1.05	X	R	147R77	(E)DRN	112M4	1010	342/346
3.2	99700	558	14800	1.15	X	RF	147R77	(E)DRN	112M4	1020	343/346
3.6	87300	489	15300	1.30	X	RM	147R77	(E)DRN	112M4	1390	343/346
4.3	74000	415	15700	1.55	X						
4.6	68200	381	12100	1.05	X						
5.5	57800	323	12600	1.20	X						
6.1	52100	291	12900	1.35	X	R	137R77	(E)DRN	112M4	720	340/346
6.9	45500	255	13100	1.55	X	RF	137R77	(E)DRN	112M4	770	341/346
7.9	39800	223	13300	1.75	X	RM	137R77	(E)DRN	112M4	1010	341/346
9.0	35100	197	13400	2.0	X						
10	31100	175	13500	2.3	X						
4.7	68100	376	12100	1.05	X	R	137R77	(E)DRN	112M4	690	340/346
5.2	61300	339	12500	1.15	X	RF	137R77	(E)DRN	112M4	740	341/346
6.0	53700	297	12800	1.30	X	RM	137R77	(E)DRN	112M4	990	341/346
5.9	53200	298	9660	1.00	X	R	127R77	(E)DRN	112M4	650	338/346
7.0	45000	253	9660	1.20	X	RF	127R77	(E)DRN	112M4	670	339/346
						RM	127R77	(E)DRN	112M4	890	339/346
6.8	46700	259	9660	1.15	X	R	127R77	(E)DRN	112M4	610	338/346
8.7	36400	202	9660	1.45	X	RF	127R77	(E)DRN	112M4	660	339/346
11	29300	162	9660	1.80	X	RM	127R77	(E)DRN	112M4	870	339/346
14	22600	126	9660	2.3	X						
8.2	38100	214	6600	1.00	X	R	107R77	(E)DRN	112M4	530	336/346
9.4	33300	187	7200	1.15	X	RF	107R77	(E)DRN	112M4	540	337/346
						RM	107R77	(E)DRN	112M4	730	337/346
9.1	34800	193	7030	1.10	X	R	107R77	(E)DRN	112M4	510	336/346
10	31200	172	7430	1.20	X	RF	107R77	(E)DRN	112M4	520	337/346
						RM	107R77	(E)DRN	112M4	720	337/346
5.3	64100	222.60*	12300	1.10							
6.3	54200	188.45	12800	1.30							
6.8	50200	174.40*	12900	1.40							
7.6	45000	156.31	13100	1.55		R	137	DRN	132M6	690	340
8.4	40600	141.12*	13200	1.75		RF	137	DRN	132M6	740	341
9.2	36900	128.18	13300	1.90		RM	137	DRN	132M6	990	341
10	32700	113.72	13400	2.2							
11	29700	103.20*	13500	2.4							
13	25500	88.70*	13600	2.8							

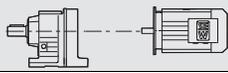
21933480/EN-US - 04/2018

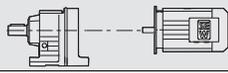
<b>P<sub>m</sub> = 5.4 HP</b>								<b>m lbs</b>		
<b>n<sub>a</sub></b> rpm	<b>T<sub>a</sub></b> lb-in	<b>i</b> ratio	<b>F<sub>Ra</sub><sup>1)</sup></b> lb	<b>SEW SF</b> f <sub>B</sub>	<b>HazLoc</b> -NA <sup>®</sup>					
6.7	50500	262.65	9660	1.05	X					
7.4	46200	240.48	9660	1.15	X					
8.3	40800	212.46	9660	1.30	X					
9.8	34600	180.23	9660	1.55	X					
11	31900	165.95	9660	1.65	X					
12	28500	148.33	9660	1.85	X					
13	25600	133.53	9660	2.1	X	<b>R</b>	<b>127</b>	<b>(E)DRN</b>	<b>112M4</b>	560 338
15	23200	120.92	9660	2.3	X	<b>RF</b>	<b>127</b>	<b>(E)DRN</b>	<b>112M4</b>	590 339
16	20600	107.23	9660	2.6	X	<b>RM</b>	<b>127</b>	<b>(E)DRN</b>	<b>112M4</b>	800 339
18	18600	96.95	9660	2.9	X					
21	16300	85.26	9660	3.2	X					
22	15800	82.17	9660	3.4	X					
23	14600	76.21	9660	3.6	X					
26	13100	68.61	9660	4.0	X					
28	11900	62.13	9660	4.4	X					
10	33100	172.34	7230	1.15	X					
11	30500	158.68	7500	1.25	X					
12	27200	141.83	7790	1.40	X					
14	24500	127.68	8010	1.55	X					
15	22200	115.63	8120	1.70	X	<b>R</b>	<b>107</b>	<b>(E)DRN</b>	<b>112M4</b>	440 336
17	19700	102.53	7940	1.95	X	<b>RF</b>	<b>107</b>	<b>(E)DRN</b>	<b>112M4</b>	450 337
19	17800	92.70	7730	2.1	X	<b>RM</b>	<b>107</b>	<b>(E)DRN</b>	<b>112M4</b>	650 337
23	15100	78.57	7390	2.5	X					
24	14000	72.88	7230	2.7	X					
27	12600	65.60*	7020	3.0	X					
30	11400	59.41	6830	3.3	X					
34	10100	52.68	6590	3.8	X					
14	24300	126.75	3580	1.10	X					
15	22400	116.48	4180	1.20	X					
17	19800	103.44	4930	1.35	X					
19	17700	92.48	5560	1.50	X					
21	15900	83.15	5880	1.65	X					
25	13800	72.17	5680	1.90	X	<b>R</b>	<b>97</b>	<b>(E)DRN</b>	<b>112M4</b>	310 334
27	12500	65.21	5530	2.1	X	<b>RF</b>	<b>97</b>	<b>(E)DRN</b>	<b>112M4</b>	350 335
30	11500	59.92	5410	2.3	X	<b>RM</b>	<b>97</b>	<b>(E)DRN</b>	<b>112M4</b>	465 335
33	10200	53.21	5250	2.6	X					
37	9150	47.58	5090	2.9	X					
41	8220	42.78	4940	3.2	X					
48	7140	37.13	4750	3.7	X					
53	6390	33.25	4610	4.0	X					
55	6160	32.05	4560	3.7	X					
65	5220	27.19	4350	4.3	X	<b>R</b>	<b>97</b>	<b>(E)DRN</b>	<b>112M4</b>	305 334
71	4810	25.03	4240	5.2	X	<b>RF</b>	<b>97</b>	<b>(E)DRN</b>	<b>112M4</b>	345 335
79	4300	22.37	4100	5.6	X	<b>RM</b>	<b>97</b>	<b>(E)DRN</b>	<b>112M4</b>	455 335
88	3870	20.14	3980	6.0	X					
28	12200	63.68*	3360	1.10	X					
29	11600	60.35*	3550	1.20	X					
33	10100	52.82	3740	1.35	X	<b>R</b>	<b>87</b>	<b>(E)DRN</b>	<b>112M4</b>	220 331
37	9150	47.58	3860	1.50	X	<b>RF</b>	<b>87</b>	<b>(E)DRN</b>	<b>112M4</b>	240 332
42	8020	41.74	3960	1.70	X	<b>RM</b>	<b>87</b>	<b>(E)DRN</b>	<b>112M4</b>	305 332
48	7080	36.84*	3840	1.95	X					
54	6280	32.66*	3720	2.2	X					
63	5360	27.88	3570	2.5	X					
51	6610	34.40*	3770	2.0	X					
56	6030	31.40	3680	2.3	X					
64	5350	27.84*	3560	2.6	X					
76	4500	23.40	3400	3.0	X					
82	4130	21.51	3320	3.2	X	<b>R</b>	<b>87</b>	<b>(E)DRN</b>	<b>112M4</b>	220 331
93	3670	19.10	3210	3.5	X	<b>RF</b>	<b>87</b>	<b>(E)DRN</b>	<b>112M4</b>	235 332
104	3280	17.08*	3110	3.7	X	<b>RM</b>	<b>87</b>	<b>(E)DRN</b>	<b>112M4</b>	300 332
115	2950	15.35	3010	4.0	X					
133	2560	13.33	2890	4.4	X					
148	2290	11.93	2790	4.7	X					
48	7080	36.83	2270	1.00	X	<b>R</b>	<b>77</b>	<b>(E)DRN</b>	<b>112M4</b>	165 328
53	6430	33.47	2400	1.15	X	<b>RF</b>	<b>77</b>	<b>(E)DRN</b>	<b>112M4</b>	175 329
61	5570	29.00	2370	1.30	X	<b>RM</b>	<b>77</b>	<b>(E)DRN</b>	<b>112M4</b>	230 329
70	4850	25.23	2300	1.40	X					

<b>P<sub>m</sub> = 5.4 HP</b>											
<b>n<sub>a</sub></b> rpm	<b>T<sub>a</sub></b> lb-in	<b>i</b> ratio	<b>F<sub>Ra</sub><sup>1)</sup></b> lb	<b>SEW SF</b> f <sub>B</sub>	<b>HazLoc</b> -NA <sup>®</sup>			<b>m</b> lbs			
76	4490	23.37	2260	1.60	X						
83	4120	21.43	2210	1.75	X						
94	3610	18.80	2140	1.90	X						
99	3420	17.82*	2120	2.0	X						
113	2990	15.60	2050	2.2	X						
126	2700	14.05	1990	2.4	X	R	77	(E)DRN	112M4	160	328
144	2370	12.33	1920	2.6	X	RF	77	(E)DRN	112M4	175	329
163	2090	10.88	1860	2.8	X	RM	77	(E)DRN	112M4	230	329
183	1850	9.64	1800	3.0	X						
206	1650	8.59	1750	3.4	X						
229	1480	7.74	1700	3.6	X						
260	1300	6.79	1640	3.9	X						
295	1150	5.99*	1580	4.2	X						
333	1020	5.31*	1520	4.4	X						
89	3820	19.89	1710	1.40	X						
99	3450	17.95	1670	1.50	X						
112	3030	15.79	1630	1.65	X						
119	2860	14.91	1600	1.70	X						
139	2440	12.70	1540	1.90	X						
153	2210	11.54	1510	2.0	X	R	67	(E)DRN	112M4	150	325
177	1920	10.00	1450	2.2	X	RF	67	(E)DRN	112M4	155	326
203	1670	8.70*	1400	2.3	X	RM	67	(E)DRN	112M4	190	326
227	1490	7.79	1360	2.2	X						
240	1410	7.36*	1340	2.3	X						
282	1200	6.27	1280	2.4	X						
311	1090	5.70	1250	2.5	X						
359	940	4.93	1200	2.7	X						
412	820	4.29	1150	2.9	X						
95	3570	18.60*	850	1.10	X						
105	3220	16.79	840	1.25	X						
120	2840	14.77*	830	1.35	X						
127	2680	13.95*	830	1.40	X						
149	2280	11.88	810	1.55	X						
164	2070	10.79	795	1.65	X	R	57	(E)DRN	112M4	135	322
189	1790	9.35	775	1.80	X	RF	57	(E)DRN	112M4	140	323
195	1740	9.06	770	1.90	X	RM	57	(E)DRN	112M4	170	323
222	1530	7.97	750	2.0	X						
235	1440	7.53	745	2.1	X						
276	1230	6.41	715	2.4	X						
304	1120	5.82	700	2.5	X						
351	970	5.05	675	2.8	X						
403	840	4.39	655	2.9	X						
446	760	7.97	635	4.1		R	57	DRN	112M2	135	322
472	720	7.53	625	4.3		RF	57	DRN	112M2	140	323
554	610	6.41	600	4.8		RM	57	DRN	112M2	170	323
610	555	5.82	585	5.1							
704	480	5.05	560	5.6							
809	420	4.39	540	5.9							
174	1950	10.15	590	1.05	X						
195	1740	9.07	585	1.10	X						
221	1540	8.01	575	1.20	X						
254	1330	6.96	540	1.05	X	R	47	(E)DRN	112M4	125	319
295	1150	6.00	525	1.20	X	RF	47	(E)DRN	112M4	125	320
314	1080	5.64*	520	1.25	X						
364	930	4.85	505	1.40	X						
408	830	4.34	495	1.55	X						
462	735	3.83	480	1.75	X						
458	740	7.76*	480	1.95		R	47	DRN	112M2	125	319
510	665	6.96	470	2.1		RF	47	DRN	112M2	125	320
592	570	6.00	455	2.4							
630	540	5.64*	445	2.5							
732	460	4.85	430	2.9							
819	415	4.34	420	3.1							
927	365	3.83	405	3.5							

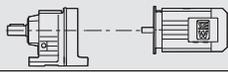
21933480/EN-US - 04/2018

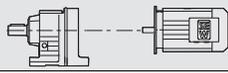
<b>P<sub>m</sub> = 5.4 HP</b>									
n <sub>a</sub> rpm	T <sub>a</sub> lb-in	i ratio	F <sub>Ra</sub> <sup>1)</sup> lb	SEW SF f <sub>B</sub>	HazLoc -NA®			m lbs	
438	775	4.04*	990	1.65	X				
478	710	3.70	970	1.90	X				
544	625	3.25*	930	2.6	X				
574	590	3.08*	920	2.9	X				
656	515	2.70	890	3.7	X	RX	77	(E)DRN 112M4	140 299
728	465	2.43	860	4.1	X	RXF	77	(E)DRN 112M4	145 300
830	405	2.13	830	4.3	X				
941	360	1.88*	795	4.6	X				
1060	320	1.67	770	4.8	X				
1245	270	1.42	735	5.0	X				
553	615	3.20*	615	1.45	X				
612	555	2.89	600	1.70	X				
696	485	2.54	580	2.1	X				
737	460	2.40*	575	2.4	X	RX	67	(E)DRN 112M4	120 297
866	390	2.04	550	3.0	X	RXF	67	(E)DRN 112M4	130 298
953	355	1.86	535	3.1	X				
1100	305	1.61	515	3.3	X				
1265	265	1.40*	495	3.4	X				
670	505	2.64*	455	1.20	X				
746	455	2.37	440	1.35	X				
866	390	2.04	425	1.55	X				
921	365	1.92*	420	1.65	X	RX	57	(E)DRN 112M4	115 295
1070	315	1.65	405	1.90	X	RXF	57	(E)DRN 112M4	120 296
1200	280	1.48	395	2.1	X				
1355	250	1.30	380	2.2	X				

<b>P<sub>m</sub> = 7.5 HP</b>									
n <sub>a</sub> rpm	T <sub>a</sub> lb-in	i ratio	F <sub>Ra</sub> <sup>1)</sup> lb	SEW SF f <sub>B</sub>	HazLoc -NA®			m lbs	
3.0	140600	585	27000	1.15	X	R	167R107	(E)DRN 132S4	1860 344/346
3.5	121800	511	27000	1.30	X	RF	167R107	(E)DRN 132S4	1870 345/346
						RM	167R107	(E)DRN 132S4	2300 345/346
5.1	81400	349	27000	1.95	X	R	167R107	(E)DRN 132S4	1860 344/346
6.5	64500	270	27000	2.5	X	RF	167R107	(E)DRN 132S4	1870 345/346
7.7	54100	229	27000	2.9	X	RM	167R107	(E)DRN 132S4	2300 345/346
4.0	111400	446	27000	1.45	X				
4.4	99500	399	27000	1.60	X				
4.9	89600	361	27000	1.80	X	R	167R107	(E)DRN 132S4	1840 344/346
5.4	81100	328	27000	1.95	X	RF	167R107	(E)DRN 132S4	1860 345/346
6.1	71600	291	27000	2.2	X	RM	167R107	(E)DRN 132S4	2290 345/346
6.7	64700	264	27000	2.5	X				
7.8	55200	227	27000	2.9	X				
2.7	160300	656	27000	1.00	X				
3.0	139800	579	27000	1.15	X				
3.5	122900	503	27000	1.30	X				
4.1	104300	432	27000	1.55	X	R	167R97	(E)DRN 132S4	1750 344/346
4.7	92000	376	27000	1.75	X	RF	167R97	(E)DRN 132S4	1770 345/346
5.3	81800	335	27000	1.95	X	RM	167R97	(E)DRN 132S4	2200 345/346
5.8	73000	303	27000	2.2	X				
6.3	67300	279	27000	2.4	X				
3.8	113400	462	14200	1.00	X				
4.2	105700	426	14500	1.10	X				
4.8	91300	368	15100	1.25	X				
5.4	80700	326	15500	1.40	X	R	147R87	(E)DRN 132S4	1080 342/346
6.3	68800	280	15900	1.65	X	RF	147R87	(E)DRN 132S4	1100 343/346
7.2	60700	247	16100	1.90	X	RM	147R87	(E)DRN 132S4	1460 343/346
8.3	52400	214	16200	2.2	X				
9.4	46400	189	16400	2.5	X				
11	38900	159	16500	3.0	X				
4.3	103300	415	14600	1.10	X	R	147R77	(E)DRN 132S4	1030 342/346
						RF	147R77	(E)DRN 132S4	1050 343/346
						RM	147R77	(E)DRN 132S4	1420 343/346

<b>P<sub>m</sub> = 7.5 HP</b>												
<b>n<sub>a</sub></b> <b>rpm</b>	<b>T<sub>a</sub></b> <b>lb-in</b>	<b>i</b> <b>ratio</b>	<b>F<sub>Ra</sub><sup>1)</sup></b> <b>lb</b>	<b>SEW SF</b> <b>f<sub>B</sub></b>	<b>HazLoc</b> <b>-NA®</b>					<b>m</b> <b>lbs</b>		
<b>6.9</b>	63500	255	12400	1.10	X	<b>R</b>	<b>137R77</b>	<b>(E)DRN</b>	<b>132S4</b>	740	340/346	
<b>7.9</b>	55600	223	12700	1.25	X		<b>RF</b>	<b>137R77</b>	<b>(E)DRN</b>	<b>132S4</b>	790	341/346
<b>9.0</b>	49000	197	13000	1.45	X		<b>RM</b>	<b>137R77</b>	<b>(E)DRN</b>	<b>132S4</b>	1040	341/346
<b>10</b>	43400	175	13100	1.65	X							
<b>8.7</b>	50900	202	9660	1.05	X	<b>R</b>	<b>127R77</b>	<b>(E)DRN</b>	<b>132S4</b>	640	338/346	
<b>11</b>	40900	162	9660	1.30	X		<b>RF</b>	<b>127R77</b>	<b>(E)DRN</b>	<b>132S4</b>	690	339/346
<b>14</b>	31600	126	9660	1.70	X		<b>RM</b>	<b>127R77</b>	<b>(E)DRN</b>	<b>132S4</b>	900	339/346
<b>7.3</b>	65100	163.31	15900	1.75								
<b>8.1</b>	58500	146.91	16100	1.95								
<b>9.9</b>	47700	119.86	16300	2.4		<b>R</b>	<b>147</b>	<b>DRN</b>	<b>160M6</b>	1060	342	
<b>11</b>	43500	109.31	16400	2.6			<b>RF</b>	<b>147</b>	<b>DRN</b>	<b>160M6</b>	1080	343
<b>13</b>	37700	94.60*	16500	3.0			<b>RM</b>	<b>147</b>	<b>DRN</b>	<b>160M6</b>	1450	343
<b>14</b>	33200	83.47	16600	3.5								
<b>6.8</b>	69500	174.40*	12100	1.00								
<b>7.6</b>	62300	156.31	12400	1.15		<b>R</b>	<b>137</b>	<b>DRN</b>	<b>160M6</b>	780	340	
<b>8.4</b>	56200	141.12*	12700	1.25			<b>RF</b>	<b>137</b>	<b>DRN</b>	<b>160M6</b>	830	341
<b>9.2</b>	51100	128.18	12900	1.40			<b>RM</b>	<b>137</b>	<b>DRN</b>	<b>160M6</b>	1070	341
<b>10</b>	45300	113.72	13100	1.55								
<b>11</b>	41100	103.20*	13200	1.70								
<b>7.9</b>	59400	222.60*	12600	1.20	X							
<b>9.4</b>	50300	188.45	12900	1.40	X							
<b>10</b>	46600	174.40*	13000	1.50	X							
<b>11</b>	41700	156.31	13200	1.70	X							
<b>13</b>	37700	141.12*	13300	1.90	X							
<b>14</b>	34200	128.18	13400	2.1	X							
<b>16</b>	30300	113.72	13500	2.3	X	<b>R</b>	<b>137</b>	<b>(E)DRN</b>	<b>132S4</b>	650	340	
<b>17</b>	27500	103.20*	13500	2.6	X		<b>RF</b>	<b>137</b>	<b>(E)DRN</b>	<b>132S4</b>	710	341
<b>20</b>	23700	88.70*	13600	3.0	X		<b>RM</b>	<b>137</b>	<b>(E)DRN</b>	<b>132S4</b>	950	341
<b>22</b>	21600	80.91*	13600	3.3	X							
<b>24</b>	19600	73.49	13700	3.6	X							
<b>27</b>	17400	65.20	13700	4.1	X							
<b>30</b>	15800	59.17*	13700	4.5	X							
<b>35</b>	13500	50.86*	13700	5.2	X							
<b>9.8</b>	48100	180.23	9660	1.10	X							
<b>11</b>	44300	165.95	9660	1.20	X							
<b>12</b>	39600	148.33	9660	1.35	X							
<b>13</b>	35600	133.53	9660	1.50	X							
<b>15</b>	32300	120.92	9660	1.65	X							
<b>16</b>	28600	107.23	9660	1.85	X							
<b>18</b>	25900	96.95	9660	2.0	X	<b>R</b>	<b>127</b>	<b>(E)DRN</b>	<b>132S4</b>	590	338	
<b>21</b>	22700	85.26	9660	2.3	X		<b>RF</b>	<b>127</b>	<b>(E)DRN</b>	<b>132S4</b>	610	339
<b>22</b>	21900	82.17	9660	2.4	X		<b>RM</b>	<b>127</b>	<b>(E)DRN</b>	<b>132S4</b>	820	339
<b>23</b>	20300	76.21	9660	2.6	X							
<b>26</b>	18300	68.61	9660	2.9	X							
<b>28</b>	16600	62.13	9660	3.2	X							
<b>32</b>	14700	55.09	9660	3.6	X							
<b>35</b>	13300	49.81	9660	4.0	X							
<b>42</b>	11200	42.22	9660	4.7	X							
<b>12</b>	37900	141.83	6640	1.00	X							
<b>14</b>	34100	127.68	7110	1.10	X							
<b>15</b>	30900	115.63	7460	1.25	X							
<b>17</b>	27400	102.53	7610	1.40	X							
<b>19</b>	24700	92.70	7430	1.55	X							
<b>22</b>	21000	78.57	7140	1.80	X	<b>R</b>	<b>107</b>	<b>(E)DRN</b>	<b>132S4</b>	465	336	
<b>24</b>	19400	72.88	7000	1.95	X		<b>RF</b>	<b>107</b>	<b>(E)DRN</b>	<b>132S4</b>	475	337
<b>27</b>	17500	65.60*	6820	2.2	X		<b>RM</b>	<b>107</b>	<b>(E)DRN</b>	<b>132S4</b>	670	337
<b>30</b>	15800	59.41	6640	2.4	X							
<b>34</b>	14000	52.68	6430	2.7	X							
<b>37</b>	12700	47.63	6250	3.0	X							
<b>44</b>	10700	40.37*	5970	3.5	X							

21933480/EN-US - 04/2018

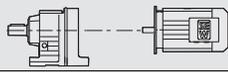
<b>P<sub>m</sub> = 7.5 HP</b>											
<b>n<sub>a</sub></b> <b>rpm</b>	<b>T<sub>a</sub></b> <b>lb-in</b>	<b>i</b> <b>ratio</b>	<b>F<sub>Ra</sub><sup>1)</sup></b> <b>lb</b>	<b>SEW SF</b> <b>f<sub>B</sub></b>	<b>HazLoc</b> <b>-NA<sup>®</sup></b>			<b>m</b> <b>lbs</b>			
19	24700	92.48	3480	1.05	X						
21	22200	83.15	4230	1.20	X						
24	19200	72.17	5110	1.40	X						
27	17400	65.21	5280	1.50	X						
30	16000	59.92	5190	1.65	X	<b>R</b>	<b>97</b>	<b>(E)DRN</b>	<b>132S4</b>	335	334
33	14200	53.21	5040	1.85	X	<b>RF</b>	<b>97</b>	<b>(E)DRN</b>	<b>132S4</b>	375	335
37	12700	47.58	4910	2.1	X	<b>RM</b>	<b>97</b>	<b>(E)DRN</b>	<b>132S4</b>	490	335
41	11400	42.78	4780	2.3	X						
48	9920	37.13	4610	2.7	X						
53	8880	33.25	4480	2.9	X						
64	7370	27.58	4260	3.2	X						
55	8560	32.05	4440	2.6	X						
65	7260	27.19	4240	3.1	X						
71	6690	25.03	4150	3.7	X	<b>R</b>	<b>97</b>	<b>(E)DRN</b>	<b>132S4</b>	330	334
79	5980	22.37	4020	4.0	X	<b>RF</b>	<b>97</b>	<b>(E)DRN</b>	<b>132S4</b>	370	335
88	5380	20.14	3900	4.3	X	<b>RM</b>	<b>97</b>	<b>(E)DRN</b>	<b>132S4</b>	480	335
97	4870	18.24	3790	4.5	X						
109	4320	16.17	3660	4.9	X						
37	12700	47.58	3880	1.10	X	<b>R</b>	<b>87</b>	<b>(E)DRN</b>	<b>132S4</b>	245	331
42	11100	41.74	3770	1.25	X	<b>RF</b>	<b>87</b>	<b>(E)DRN</b>	<b>132S4</b>	265	332
48	9840	36.84*	3670	1.40	X	<b>RM</b>	<b>87</b>	<b>(E)DRN</b>	<b>132S4</b>	330	332
54	8720	32.66*	3570	1.55	X						
63	7450	27.88	3440	1.80	X						
64	7440	27.84*	3440	1.85	X						
76	6250	23.40	3290	2.2	X						
82	5740	21.51	3220	2.3	X						
93	5100	19.10	3120	2.5	X						
104	4560	17.08*	3030	2.7	X	<b>R</b>	<b>87</b>	<b>(E)DRN</b>	<b>132S4</b>	245	331
115	4100	15.35	2940	2.9	X	<b>RF</b>	<b>87</b>	<b>(E)DRN</b>	<b>132S4</b>	260	332
133	3560	13.33	2830	3.2	X	<b>RM</b>	<b>87</b>	<b>(E)DRN</b>	<b>132S4</b>	325	332
148	3180	11.93	2740	3.4	X						
179	2640	9.90*	2600	4.0	X						
193	2440	9.14*	2560	4.4	X						
215	2190	8.22	2480	4.7	X						
248	1900	7.13	2380	5.0	X						
70	6740	25.23	1950	1.00	X	<b>R</b>	<b>77</b>	<b>(E)DRN</b>	<b>132S4</b>	190	328
						<b>RF</b>	<b>77</b>	<b>(E)DRN</b>	<b>132S4</b>	200	329
						<b>RM</b>	<b>77</b>	<b>(E)DRN</b>	<b>132S4</b>	255	329
94	5020	18.80	2040	1.35	X						
99	4760	17.82*	2020	1.45	X						
113	4160	15.60	1960	1.55	X						
126	3750	14.05	1910	1.70	X						
143	3290	12.33	1850	1.85	X	<b>R</b>	<b>77</b>	<b>(E)DRN</b>	<b>132S4</b>	185	328
163	2900	10.88	1800	2.0	X	<b>RF</b>	<b>77</b>	<b>(E)DRN</b>	<b>132S4</b>	200	329
183	2570	9.64	1740	2.2	X	<b>RM</b>	<b>77</b>	<b>(E)DRN</b>	<b>132S4</b>	255	329
206	2290	8.59	1710	2.4	X						
228	2060	7.74	1660	2.6	X						
260	1810	6.79	1600	2.8	X						
295	1600	5.99*	1550	3.0	X						
333	1410	5.31*	1490	3.2	X						
112	4220	15.79	1530	1.15	X						
119	3980	14.91	1510	1.20	X						
139	3390	12.70	1460	1.35	X						
153	3080	11.54	1440	1.45	X						
177	2670	10.00	1390	1.55	X	<b>R</b>	<b>67</b>	<b>(E)DRN</b>	<b>132S4</b>	175	325
203	2320	8.70*	1350	1.65	X	<b>RF</b>	<b>67</b>	<b>(E)DRN</b>	<b>132S4</b>	180	326
227	2080	7.79	1320	1.60	X	<b>RM</b>	<b>67</b>	<b>(E)DRN</b>	<b>132S4</b>	215	326
240	1960	7.36*	1300	1.65	X						
282	1670	6.27	1250	1.75	X						
310	1520	5.70	1210	1.80	X						
358	1310	4.93	1170	1.95	X						
412	1140	4.29	1120	2.1	X						

<b>P<sub>m</sub> = 7.5 HP</b>											
<b>n<sub>a</sub></b> <b>rpm</b>	<b>T<sub>a</sub></b> <b>lb-in</b>	<b>i</b> <b>ratio</b>	<b>F<sub>Ra</sub><sup>1)</sup></b> <b>lb</b>	<b>SEW SF</b> <b>f<sub>B</sub></b>	<b>HazLoc</b> <b>-NA<sup>®</sup></b>					<b>m</b> <b>lbs</b>	
127	3720	13.95*	675	1.00	X						
149	3170	11.88	725	1.15	X						
164	2880	10.79	720	1.20	X						
189	2490	9.35	710	1.30	X						
222	2130	7.97	700	1.45	X	R	57	(E)DRN	132S4	160	322
235	2010	7.53	695	1.55	X	RF	57	(E)DRN	132S4	165	323
276	1710	6.41	675	1.75	X	RM	57	(E)DRN	132S4	195	323
304	1550	5.82	660	1.80	X						
350	1340	5.05	645	2.0	X						
403	1170	4.39	625	2.1	X						
240	1960	14.77*	685	1.95							
254	1860	13.95*	680	2.0							
298	1580	11.88	660	2.3							
328	1430	10.79	650	2.4							
379	1240	9.35	630	2.6		R	57	DRN	132S2	160	322
445	1060	7.97	610	3.0		RF	57	DRN	132S2	165	323
471	1000	7.53	600	3.1		RM	57	DRN	132S2	195	323
553	850	6.41	580	3.5							
608	775	5.82	565	3.6							
702	670	5.05	545	4.0							
807	585	4.39	525	4.2							
364	1290	4.85	465	1.00	X	R	47	(E)DRN	132S4	150	319
408	1150	4.34	460	1.10	X	RF	47	(E)DRN	132S4	150	320
461	1020	3.83	450	1.25	X						
283	1670	12.54	495	1.30							
300	1570	11.79	500	1.40							
349	1350	10.15	490	1.50							
391	1200	9.07	480	1.60							
442	1060	8.01	470	1.70		R	47	DRN	132S2	150	319
591	795	6.00	430	1.75		RF	47	DRN	132S2	150	320
628	750	5.64*	425	1.80							
730	645	4.85	410	2.0							
817	575	4.34	400	2.2							
925	510	3.83	390	2.5							
267	1770	6.63*	2210	2.3	X						
315	1490	5.61	2110	2.7	X	RX	107	(E)DRN	132S4	325	305
341	1380	5.19	2060	4.4	X	RXF	107	(E)DRN	132S4	365	306
380	1240	4.65	2000	5.0	X						
305	1540	5.79	1770	2.4	X						
360	1310	4.91	1690	2.7	X						
391	1200	4.52	1650	4.3	X						
437	1080	4.04	1600	4.9	X						
486	970	3.64*	1550	5.4	X						
536	880	3.30	1510	6.0	X	RX	97	(E)DRN	132S4	255	303
605	780	2.92	1450	6.7	X	RXF	97	(E)DRN	132S4	275	304
669	705	2.64	1410	7.5	X						
789	595	2.24*	1340	8.8	X						
904	520	1.96	1290	9.6	X						
1080	435	1.64	1220	10	X						
1250	375	1.42	1160	11	X						
393	1200	4.50*	1280	2.1	X						
467	1010	3.78	1220	2.7	X						
509	920	3.48	1200	3.9	X						
573	820	3.09	1160	4.3	X	RX	87	(E)DRN	132S4	205	301
641	735	2.76*	1120	4.9	X	RXF	87	(E)DRN	132S4	215	302
712	660	2.48	1090	5.4	X						
821	575	2.15	1040	5.9	X						
544	860	3.25*	900	1.85	X						
574	820	3.08*	890	2.1	X						
656	720	2.70	860	2.6	X						
728	645	2.43	830	2.9	X						
830	565	2.13	800	3.1	X	RX	77	(E)DRN	132S4	165	299
940	500	1.88*	775	3.3	X	RXF	77	(E)DRN	132S4	170	300
1060	445	1.67	750	3.4	X						
1240	380	1.42	715	3.6	X						

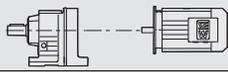
21933480/EN-US - 04/2018

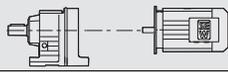
<b>P<sub>m</sub> = 7.5 HP</b>								<b>m</b>			
<b>n<sub>a</sub></b> rpm	<b>T<sub>a</sub></b> lb-in	<b>i</b> ratio	<b>F<sub>Ra</sub><sup>1)</sup></b> lb	<b>SEW SF</b> f <sub>B</sub>	<b>HazLoc</b> -NA <sup>®</sup>			<b>lbs</b>			
696	675	2.54	550	1.55	X						
737	640	2.40*	545	1.70	X						
865	545	2.04	520	2.2	X	<b>RX</b>	<b>67</b>	<b>(E)DRN</b>	<b>132S4</b>	145	297
952	495	1.86	510	2.2	X	<b>RXF</b>	<b>67</b>	<b>(E)DRN</b>	<b>132S4</b>	155	298
1100	425	1.61	490	2.4	X						
1265	370	1.40*	475	2.5	X						
866	545	2.04	250	1.10	X						
921	510	1.92*	265	1.20	X	<b>RX</b>	<b>57</b>	<b>(E)DRN</b>	<b>132S4</b>	140	295
1070	440	1.65	295	1.40	X	<b>RXF</b>	<b>57</b>	<b>(E)DRN</b>	<b>132S4</b>	145	296
1200	390	1.48	305	1.50	X						
1355	345	1.30	325	1.60	X						

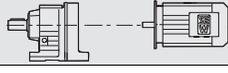
<b>P<sub>m</sub> = 10.0 HP</b>								<b>m</b>			
<b>n<sub>a</sub></b> rpm	<b>T<sub>a</sub></b> lb-in	<b>i</b> ratio	<b>F<sub>Ra</sub><sup>1)</sup></b> lb	<b>SEW SF</b> f <sub>B</sub>	<b>HazLoc</b> -NA <sup>®</sup>			<b>lbs</b>			
5.1	110200	349	27000	1.45	X						
6.6	86800	270	27000	1.85	X	<b>R</b>	<b>167R107</b>	<b>(E)DRN</b>	<b>132M4</b>	1900	344/346
7.7	73100	229	27000	2.2	X	<b>RF</b>	<b>167R107</b>	<b>(E)DRN</b>	<b>132M4</b>	1910	345/346
8.8	63400	200	27000	2.5	X	<b>RM</b>	<b>167R107</b>	<b>(E)DRN</b>	<b>132M4</b>	2340	345/346
4.0	148700	446	27000	1.05	X						
4.4	133000	399	27000	1.20	X						
4.9	119800	361	27000	1.35	X						
5.4	108500	328	27000	1.45	X	<b>R</b>	<b>167R107</b>	<b>(E)DRN</b>	<b>132M4</b>	1880	344/346
6.1	95900	291	27000	1.65	X	<b>RF</b>	<b>167R107</b>	<b>(E)DRN</b>	<b>132M4</b>	1900	345/346
6.7	86700	264	27000	1.85	X	<b>RM</b>	<b>167R107</b>	<b>(E)DRN</b>	<b>132M4</b>	2330	345/346
7.8	74100	227	27000	2.1	X						
9.0	64300	198	27000	2.5	X						
11	54100	168	27000	2.9	X						
4.1	140100	432	27000	1.15	X						
4.7	123100	376	27000	1.30	X	<b>R</b>	<b>167R97</b>	<b>(E)DRN</b>	<b>132M4</b>	1790	344/346
5.3	109600	335	27000	1.45	X	<b>RF</b>	<b>167R97</b>	<b>(E)DRN</b>	<b>132M4</b>	1810	345/346
5.9	98100	303	27000	1.60	X	<b>RM</b>	<b>167R97</b>	<b>(E)DRN</b>	<b>132M4</b>	2240	345/346
6.4	90400	279	27000	1.75	X						
5.4	107700	326	14400	1.05	X						
6.3	92000	280	15100	1.25	X						
7.2	81200	247	15500	1.40	X	<b>R</b>	<b>147R87</b>	<b>(E)DRN</b>	<b>132M4</b>	1120	342/346
8.3	70100	214	15800	1.65	X	<b>RF</b>	<b>147R87</b>	<b>(E)DRN</b>	<b>132M4</b>	1130	343/346
9.4	62000	189	16000	1.85	X	<b>RM</b>	<b>147R87</b>	<b>(E)DRN</b>	<b>132M4</b>	1500	343/346
11	52100	159	16200	2.2	X						
9.0	65300	197	12300	1.10	X	<b>R</b>	<b>137R77</b>	<b>(E)DRN</b>	<b>132M4</b>	780	340/346
10	57900	175	12600	1.20	X	<b>RF</b>	<b>137R77</b>	<b>(E)DRN</b>	<b>132M4</b>	830	341/346
						<b>RM</b>	<b>137R77</b>	<b>(E)DRN</b>	<b>132M4</b>	1080	341/346
14	42100	126	9660	1.25	X	<b>R</b>	<b>127R77</b>	<b>(E)DRN</b>	<b>132M4</b>	680	338/346
						<b>RF</b>	<b>127R77</b>	<b>(E)DRN</b>	<b>132M4</b>	720	339/346
						<b>RM</b>	<b>127R77</b>	<b>(E)DRN</b>	<b>132M4</b>	940	339/346
5.2	122400	229.71	27000	1.30							
6.3	99600	186.93*	27000	1.60							
7.7	81500	153.07	27000	1.95							
8.4	74600	139.98	27000	2.1							
9.7	64900	121.81*	27000	2.5		<b>R</b>	<b>167</b>	<b>DRN</b>	<b>160M6</b>	1600	344
11	57200	107.49	27000	2.8		<b>RF</b>	<b>167</b>	<b>DRN</b>	<b>160M6</b>	1620	345
13	49600	93.19	27000	3.2		<b>RM</b>	<b>167</b>	<b>DRN</b>	<b>160M6</b>	2050	345
14	44100	82.91*	27000	3.6							
16	39200	73.70*	27000	4.0							
18	35900	67.40	27000	4.4							
7.2	87000	163.31	15300	1.30							
8.1	78300	146.91	15600	1.45		<b>R</b>	<b>147</b>	<b>DRN</b>	<b>160M6</b>	1060	342
9.9	63800	119.86	16000	1.80		<b>RF</b>	<b>147</b>	<b>DRN</b>	<b>160M6</b>	1080	343
11	58200	109.31	16100	1.95		<b>RM</b>	<b>147</b>	<b>DRN</b>	<b>160M6</b>	1450	343
12	50400	94.60*	16300	2.3							
14	44400	83.47	16400	2.6							

<b>P<sub>m</sub> = 10.0 HP</b>									
<b>n<sub>a</sub></b> <b>rpm</b>	<b>T<sub>a</sub></b> <b>lb-in</b>	<b>i</b> <b>ratio</b>	<b>F<sub>Ra</sub><sup>1)</sup></b> <b>lb</b>	<b>SEW SF</b> <b>f<sub>B</sub></b>	<b>HazLoc</b> <b>-NA<sup>®</sup></b>			<b>m</b> <b>lbs</b>	
9.4	66900	188.45	12200	1.05	X				
10	61900	174.40*	12400	1.15	X				
11	55500	156.31	12700	1.30	X				
13	50100	141.12*	12900	1.40	X				
14	45500	128.18	13100	1.55	X				
16	40300	113.72	13200	1.75	X	<b>R</b>	<b>137</b>	<b>(E)DRN 132M4</b>	690 340
17	36600	103.20*	13300	1.95	X	<b>RF</b>	<b>137</b>	<b>(E)DRN 132M4</b>	740 341
20	31500	88.70*	13500	2.2	X	<b>RM</b>	<b>137</b>	<b>(E)DRN 132M4</b>	990 341
22	28700	80.91*	13500	2.5	X				
24	26100	73.49	13600	2.7	X				
27	23100	65.20	13600	3.1	X				
30	21000	59.17*	13600	3.4	X				
35	18000	50.86*	13700	3.9	X				
12	52600	148.33	9660	1.00	X				
13	47400	133.53	9660	1.10	X				
15	42900	120.92	9660	1.25	X				
17	38000	107.23	9660	1.40	X				
18	34400	96.95	9660	1.55	X				
21	30200	85.26	9660	1.75	X				
22	29100	82.17	9660	1.80	X	<b>R</b>	<b>127</b>	<b>(E)DRN 132M4</b>	630 338
23	27000	76.21	9660	1.95	X	<b>RF</b>	<b>127</b>	<b>(E)DRN 132M4</b>	650 339
26	24300	68.61	9660	2.2	X	<b>RM</b>	<b>127</b>	<b>(E)DRN 132M4</b>	860 339
29	22000	62.13	9660	2.4	X				
32	19500	55.09	9660	2.7	X				
36	17600	49.81	9660	3.0	X				
42	14900	42.22	9660	3.5	X				
48	13000	36.88	9660	3.9	X				
58	10900	30.84	9660	4.3	X				
55	11400	32.18	9660	4.6	X	<b>R</b>	<b>127</b>	<b>(E)DRN 132M4</b>	590 338
						<b>RF</b>	<b>127</b>	<b>(E)DRN 132M4</b>	640 339
						<b>RM</b>	<b>127</b>	<b>(E)DRN 132M4</b>	850 339
17	36400	102.53	6840	1.05	X				
19	32900	92.70	7080	1.15	X				
23	27900	78.57	6840	1.35	X				
24	25800	72.88	6720	1.45	X				
27	23200	65.60*	6560	1.65	X	<b>R</b>	<b>107</b>	<b>(E)DRN 132M4</b>	500 336
30	21000	59.41	6410	1.80	X	<b>RF</b>	<b>107</b>	<b>(E)DRN 132M4</b>	520 337
34	18700	52.68	6230	2.0	X	<b>RM</b>	<b>107</b>	<b>(E)DRN 132M4</b>	710 337
37	16900	47.63	6070	2.2	X				
44	14300	40.37*	5810	2.6	X				
50	12500	35.26	5610	3.0	X				
60	10400	29.49	5340	3.6	X				
58	10900	30.77	5400	3.5	X	<b>R</b>	<b>107</b>	<b>(E)DRN 132M4</b>	490 336
64	9790	27.58	5240	3.9	X	<b>RF</b>	<b>107</b>	<b>(E)DRN 132M4</b>	500 337
71	8840	24.90*	5090	4.3	X	<b>RM</b>	<b>107</b>	<b>(E)DRN 132M4</b>	700 337
78	8030	22.62	4950	4.7	X				
25	25600	72.17	3210	1.05	X				
27	23100	65.21	4980	1.15	X				
30	21200	59.92	4910	1.25	X				
33	18800	53.21	4800	1.40	X	<b>R</b>	<b>97</b>	<b>(E)DRN 132M4</b>	375 334
37	16800	47.58	4690	1.55	X	<b>RF</b>	<b>97</b>	<b>(E)DRN 132M4</b>	415 335
41	15100	42.78	4580	1.75	X	<b>RM</b>	<b>97</b>	<b>(E)DRN 132M4</b>	530 335
48	13100	37.13	4440	2.0	X				
53	11800	33.25	4320	2.2	X				
64	9790	27.58	4130	2.4	X				
55	11300	32.05	4290	2.0	X				
65	9650	27.19	4110	2.4	X				
71	8890	25.03	4030	2.8	X	<b>R</b>	<b>97</b>	<b>(E)DRN 132M4</b>	370 334
79	7940	22.37	3910	3.0	X	<b>RF</b>	<b>97</b>	<b>(E)DRN 132M4</b>	410 335
88	7150	20.14	3800	3.2	X	<b>RM</b>	<b>97</b>	<b>(E)DRN 132M4</b>	520 335
97	6470	18.24	3700	3.4	X				
48	13000	36.84*	3470	1.05	X	<b>R</b>	<b>87</b>	<b>(E)DRN 132M4</b>	285 331
54	11500	32.66*	3390	1.20	X	<b>RF</b>	<b>87</b>	<b>(E)DRN 132M4</b>	300 332
64	9900	27.88	3280	1.35	X	<b>RM</b>	<b>87</b>	<b>(E)DRN 132M4</b>	365 332

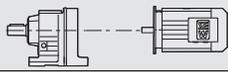
21933480/EN-US - 04/2018

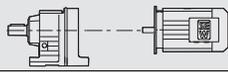
<b>P<sub>m</sub> = 10.0 HP</b>											
<b>n<sub>a</sub></b> <b>rpm</b>	<b>T<sub>a</sub></b> <b>lb-in</b>	<b>i</b> <b>ratio</b>	<b>F<sub>Ra</sub><sup>1)</sup></b> <b>lb</b>	<b>SEW SF</b> <b>f<sub>B</sub></b>	<b>HazLoc</b> <b>-NA<sup>®</sup></b>			<b>m</b> <b>lbs</b>			
64	9880	27.84*	3280	1.40	X						
76	8310	23.40	3160	1.65	X						
82	7630	21.51	3100	1.75	X						
93	6780	19.10	3010	1.90	X						
104	6060	17.08*	2930	2.0	X						
116	5450	15.35	2860	2.2	X						
133	4730	13.33	2750	2.4	X	<b>R</b>	<b>87</b>	<b>(E)DRN</b>	<b>132M4</b>	285	331
149	4230	11.93	2670	2.6	X	<b>RF</b>	<b>87</b>	<b>(E)DRN</b>	<b>132M4</b>	300	332
179	3510	9.90*	2540	3.0	X	<b>RM</b>	<b>87</b>	<b>(E)DRN</b>	<b>132M4</b>	365	332
194	3240	9.14*	2520	3.3	X						
216	2910	8.22	2440	3.5	X						
249	2530	7.13	2340	3.7	X						
278	2260	6.39	2270	4.0	X						
335	1880	5.30*	2140	4.3	X						
94	6670	18.80	1540	1.05	X						
100	6320	17.82*	1600	1.10	X						
114	5530	15.60	1740	1.20	X						
126	4990	14.05	1820	1.30	X						
144	4370	12.33	1770	1.40	X						
163	3860	10.88	1720	1.50	X	<b>R</b>	<b>77</b>	<b>(E)DRN</b>	<b>132M4</b>	225	328
184	3420	9.64	1680	1.65	X	<b>RF</b>	<b>77</b>	<b>(E)DRN</b>	<b>132M4</b>	240	329
206	3050	8.59	1660	1.85	X	<b>RM</b>	<b>77</b>	<b>(E)DRN</b>	<b>132M4</b>	295	329
229	2740	7.74	1620	1.95	X						
261	2410	6.79	1560	2.1	X						
296	2120	5.99*	1510	2.2	X						
334	1880	5.31*	1460	2.4	X						
140	4510	12.70	1250	1.00	X						
154	4090	11.54	1350	1.10	X						
177	3550	10.00	1320	1.15	X						
204	3080	8.70*	1280	1.25	X						
228	2760	7.79	1260	1.20	X	<b>R</b>	<b>67</b>	<b>(E)DRN</b>	<b>132M4</b>	215	325
241	2610	7.36*	1240	1.25	X	<b>RF</b>	<b>67</b>	<b>(E)DRN</b>	<b>132M4</b>	220	326
283	2220	6.27	1200	1.30	X	<b>RM</b>	<b>67</b>	<b>(E)DRN</b>	<b>132M4</b>	255	326
311	2020	5.70	1170	1.35	X						
360	1750	4.93	1130	1.45	X						
413	1520	4.29	1090	1.55	X						
223	2830	7.97	460	1.10	X						
236	2670	7.53	510	1.15	X	<b>R</b>	<b>57</b>	<b>(E)DRN</b>	<b>132M4</b>	200	322
277	2270	6.41	625	1.30	X	<b>RF</b>	<b>57</b>	<b>(E)DRN</b>	<b>132M4</b>	205	323
305	2060	5.82	615	1.35	X	<b>RM</b>	<b>57</b>	<b>(E)DRN</b>	<b>132M4</b>	235	323
352	1790	5.05	605	1.50	X						
404	1550	4.39	590	1.60	X						
240	2620	14.77*	625	1.45							
254	2470	13.95*	625	1.55							
298	2110	11.88	610	1.70							
328	1910	10.79	605	1.80							
379	1660	9.35	590	1.95		<b>R</b>	<b>57</b>	<b>DRN</b>	<b>132S2</b>	160	322
445	1410	7.97	580	2.2		<b>RF</b>	<b>57</b>	<b>DRN</b>	<b>132S2</b>	165	323
471	1330	7.53	575	2.3		<b>RM</b>	<b>57</b>	<b>DRN</b>	<b>132S2</b>	195	323
553	1130	6.41	555	2.6							
609	1030	5.82	545	2.7							
703	890	5.05	525	3.0							
807	780	4.39	510	3.2							
268	2350	6.63*	2150	1.75	X						
316	1990	5.61	2060	2.0	X						
342	1840	5.19	2010	3.3	X	<b>RX</b>	<b>107</b>	<b>(E)DRN</b>	<b>132M4</b>	370	305
381	1650	4.65	1950	3.7	X	<b>RXF</b>	<b>107</b>	<b>(E)DRN</b>	<b>132M4</b>	405	306
422	1490	4.20*	1900	4.9	X						
306	2050	5.79	1720	1.80	X						
361	1740	4.91	1650	2.0	X						
392	1600	4.52	1610	3.3	X						
439	1430	4.04	1560	3.7	X	<b>RX</b>	<b>97</b>	<b>(E)DRN</b>	<b>132M4</b>	295	303
487	1290	3.64*	1520	4.1	X	<b>RXF</b>	<b>97</b>	<b>(E)DRN</b>	<b>132M4</b>	315	304
538	1170	3.30	1480	4.5	X						
607	1030	2.92	1430	5.1	X						

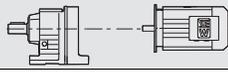
<b>P<sub>m</sub> = 10.0 HP</b>									
n <sub>a</sub> rpm	T <sub>a</sub> lb-in	i ratio	F <sub>Ra</sub> <sup>1)</sup> lb	SEW SF f <sub>B</sub>	HazLoc -NA <sup>®</sup>			m lbs	
394	1590	4.50*	1230	1.60	X				
469	1340	3.78	1180	2.0	X				
510	1230	3.48	1160	2.9	X				
575	1090	3.09	1120	3.3	X				
643	980	2.76*	1090	3.7	X	RX	87	(E)DRN 132M4	240 301
715	880	2.48	1060	4.1	X	RXF	87	(E)DRN 132M4	255 302
824	760	2.15	1020	4.5	X				
920	680	1.93	980	4.6	X				
1110	565	1.60*	930	4.9	X				
1275	490	1.39	900	5.2	X				
546	1150	3.25*	860	1.40	X				
576	1090	3.08*	850	1.55	X				
658	950	2.70	820	2.0	X				
730	860	2.43	800	2.2	X	RX	77	(E)DRN 132M4	205 299
833	755	2.13	775	2.3	X	RXF	77	(E)DRN 132M4	210 300
944	665	1.88*	750	2.5	X				
1065	590	1.67	725	2.6	X				
1245	505	1.42	695	2.7	X				
698	900	2.54	490	1.15	X				
739	850	2.40*	505	1.30	X				
868	725	2.04	490	1.65	X	RX	67	(E)DRN 132M4	185 297
955	655	1.86	480	1.70	X	RXF	67	(E)DRN 132M4	195 298
1105	570	1.61	465	1.75	X				
1265	495	1.40*	450	1.85	X				
1075	585	1.65	52	1.05	X	RX	57	(E)DRN 132M4	180 295
1200	520	1.48	78	1.15	X	RXF	57	(E)DRN 132M4	185 296
1360	460	1.30	120	1.20	X				

<b>P<sub>m</sub> = 12.3 HP</b>									
n <sub>a</sub> rpm	T <sub>a</sub> lb-in	i ratio	F <sub>Ra</sub> <sup>1)</sup> lb	SEW SF f <sub>B</sub>	HazLoc -NA <sup>®</sup>			m lbs	
5.1	136900	349	27000	1.15	X				
6.0	114600	295	27000	1.40	X				
6.6	107600	270	27000	1.50	X	R	167R107	(E)DRN 132L4	1920 344/346
7.7	90600	229	27000	1.75	X	RF	167R107	(E)DRN 132L4	1930 345/346
8.9	78700	200	27000	2.0	X	RM	167R107	(E)DRN 132L4	2360 345/346
10	65900	169	27000	2.4	X				
4.9	147700	361	27000	1.10	X				
5.4	133900	328	27000	1.20	X				
6.1	118400	291	27000	1.35	X	R	167R107	(E)DRN 132L4	1900 344/346
6.7	107200	264	27000	1.50	X	RF	167R107	(E)DRN 132L4	1920 345/346
7.8	91700	227	27000	1.75	X	RM	167R107	(E)DRN 132L4	2350 345/346
9.0	79600	198	27000	2.0	X				
11	67100	168	27000	2.4	X				
4.7	152000	376	27000	1.05	X				
5.3	135200	335	27000	1.20	X	R	167R97	(E)DRN 132L4	1810 344/346
5.9	121300	303	27000	1.30	X	RF	167R97	(E)DRN 132L4	1830 345/346
6.4	111700	279	27000	1.40	X	RM	167R97	(E)DRN 132L4	2260 345/346
6.3	113500	280	14200	1.00	X				
7.2	100100	247	14800	1.15	X	R	147R87	(E)DRN 132L4	1130 342/346
8.3	86500	214	15300	1.35	X	RF	147R87	(E)DRN 132L4	1150 343/346
9.4	76500	189	15600	1.50	X	RM	147R87	(E)DRN 132L4	1520 343/346
11	64300	159	16000	1.80	X				
14	51900	126	9660	1.00	X	R	127R77	(E)DRN 132L4	700 338/346
						RF	127R77	(E)DRN 132L4	740 339/346
						RM	127R77	(E)DRN 132L4	950 339/346
7.7	100200	229.71	27000	1.60	X				
9.5	81600	186.93*	27000	1.95	X	R	167	(E)DRN 132L4	1540 344
12	66800	153.07	27000	2.4	X	RF	167	(E)DRN 132L4	1550 345
13	61100	139.98	27000	2.6	X	RM	167	(E)DRN 132L4	1980 345
15	53100	121.81*	27000	3.0	X				

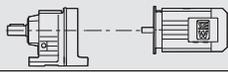
21933480/EN-US - 04/2018

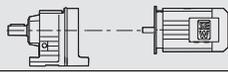
<b>P<sub>m</sub> = 12.3 HP</b>									
<b>n<sub>a</sub></b> rpm	<b>T<sub>a</sub></b> lb-in	<b>i</b> ratio	<b>F<sub>Ra</sub><sup>1)</sup></b> lb	<b>SEW SF</b> f <sub>B</sub>	<b>HazLoc</b> -NA®			<b>m</b> lbs	
11	71300	163.31	15800	1.60	X				
12	64100	146.91	16000	1.80	X				
15	52300	119.86	16200	2.2	X	<b>R</b>	<b>147</b>	<b>(E)DRN 132L4</b>	990 342
16	47700	109.31	16300	2.4	X	<b>RF</b>	<b>147</b>	<b>(E)DRN 132L4</b>	1010 343
19	41300	94.60*	16400	2.8	X	<b>RM</b>	<b>147</b>	<b>(E)DRN 132L4</b>	1380 343
21	36400	83.47	16500	3.2	X				
25	31400	72.09	16600	3.6	X				
26	29200	66.99	16600	3.9	X				
11	68200	156.31	12100	1.05	X				
13	61600	141.12*	12500	1.15	X				
14	55900	128.18	12700	1.25	X				
16	49600	113.72	12900	1.45	X				
17	45000	103.20*	13100	1.55	X	<b>R</b>	<b>137</b>	<b>(E)DRN 132L4</b>	710 340
20	38700	88.70*	13300	1.85	X	<b>RF</b>	<b>137</b>	<b>(E)DRN 132L4</b>	760 341
22	35300	80.91*	13400	2.0	X	<b>RM</b>	<b>137</b>	<b>(E)DRN 132L4</b>	1000 341
24	32000	73.49	13400	2.2	X				
27	28400	65.20	13500	2.5	X				
30	25800	59.17*	13600	2.7	X				
35	22200	50.86*	13600	3.2	X				
40	19300	44.39	13700	3.6	X				
15	52700	120.92	9660	1.00	X				
17	46800	107.23	9660	1.15	X				
18	42300	96.95	9660	1.25	X				
21	37200	85.26	9660	1.45	X				
22	35800	82.17	9660	1.50	X				
23	33200	76.21	9660	1.60	X	<b>R</b>	<b>127</b>	<b>(E)DRN 132L4</b>	650 338
26	29900	68.61	9660	1.75	X	<b>RF</b>	<b>127</b>	<b>(E)DRN 132L4</b>	670 339
29	27100	62.13	9660	1.95	X	<b>RM</b>	<b>127</b>	<b>(E)DRN 132L4</b>	880 339
32	24000	55.09	9660	2.2	X				
36	21700	49.81	9660	2.4	X				
42	18400	42.22	9660	2.9	X				
48	16100	36.88	9660	3.1	X				
58	13400	30.84	9660	3.5	X				
55	14000	32.18	9660	3.8	X	<b>R</b>	<b>127</b>	<b>(E)DRN 132L4</b>	610 338
62	12500	28.84	9660	4.2	X	<b>RF</b>	<b>127</b>	<b>(E)DRN 132L4</b>	660 339
68	11300	26.04	9660	4.7	X	<b>RM</b>	<b>127</b>	<b>(E)DRN 132L4</b>	870 339
23	34300	78.57	6570	1.10	X				
24	31800	72.88	6470	1.20	X				
27	28600	65.60*	6340	1.35	X				
30	25900	59.41	6210	1.45	X	<b>R</b>	<b>107</b>	<b>(E)DRN 132L4</b>	520 336
34	23000	52.68	6040	1.65	X	<b>RF</b>	<b>107</b>	<b>(E)DRN 132L4</b>	540 337
37	20700	47.63	5900	1.85	X	<b>RM</b>	<b>107</b>	<b>(E)DRN 132L4</b>	730 337
44	17600	40.37*	5680	2.2	X				
50	15300	35.26	5490	2.5	X				
60	12800	29.49	5240	3.0	X				
58	13400	30.77	5300	2.8	X				
64	12000	27.58	5140	3.2	X	<b>R</b>	<b>107</b>	<b>(E)DRN 132L4</b>	510 336
71	10800	24.90*	5000	3.5	X	<b>RF</b>	<b>107</b>	<b>(E)DRN 132L4</b>	520 337
78	9870	22.62	4870	3.9	X	<b>RM</b>	<b>107</b>	<b>(E)DRN 132L4</b>	720 337
88	8760	20.07	4710	4.3	X				
30	26100	59.92	4660	1.00	X				
33	23200	53.21	4580	1.15	X				
37	20700	47.58	4490	1.30	X	<b>R</b>	<b>97</b>	<b>(E)DRN 132L4</b>	395 334
41	18600	42.78	4400	1.40	X	<b>RF</b>	<b>97</b>	<b>(E)DRN 132L4</b>	435 335
48	16200	37.13	4280	1.65	X	<b>RM</b>	<b>97</b>	<b>(E)DRN 132L4</b>	550 335
53	14500	33.25	4180	1.75	X				
64	12000	27.58	4010	1.95	X				
71	10900	25.03	3920	2.3	X				
79	9760	22.37	3820	2.5	X				
88	8790	20.14	3720	2.6	X	<b>R</b>	<b>97</b>	<b>(E)DRN 132L4</b>	390 334
97	7960	18.24	3630	2.8	X	<b>RF</b>	<b>97</b>	<b>(E)DRN 132L4</b>	425 335
110	7060	16.17	3510	3.0	X	<b>RM</b>	<b>97</b>	<b>(E)DRN 132L4</b>	540 335
121	6380	14.62	3420	3.2	X				
143	5410	12.39	3270	3.6	X				

<b>P<sub>m</sub> = 12.3 HP</b>									
n <sub>a</sub> rpm	T <sub>a</sub> lb-in	i ratio	F <sub>Ra</sub> <sup>1)</sup> lb	SEW SF f <sub>B</sub>	HazLoc -NA®			m lbs	
64	12100	27.88	3140	1.10	X				
83	9390	21.51	2990	1.40	X				
93	8330	19.10	2920	1.55	X				
104	7450	17.08*	2850	1.65	X				
116	6700	15.35	2780	1.75	X	R	87	(E)DRN 132L4	300 331
133	5810	13.33	2690	1.95	X	RF	87	(E)DRN 132L4	315 332
149	5200	11.93	2610	2.1	X	RM	87	(E)DRN 132L4	385 332
179	4320	9.90*	2490	2.4	X				
194	3990	9.14*	2480	2.7	X				
216	3580	8.22	2410	2.9	X				
249	3110	7.13	2310	3.0	X				
278	2780	6.39	2240	3.2	X				
126	6130	14.05	1370	1.05	X				
144	5380	12.33	1500	1.15	X	R	77	(E)DRN 132L4	245 328
163	4740	10.88	1600	1.25	X	RF	77	(E)DRN 132L4	255 329
184	4210	9.64	1620	1.30	X	RM	77	(E)DRN 132L4	310 329
229	3370	7.74	1560	1.60	X				
261	2960	6.79	1520	1.75	X				
296	2610	5.99*	1480	1.85	X				
334	2310	5.31*	1430	1.95	X				
342	2260	5.19	1970	2.7	X				
382	2030	4.65	1920	3.0	X	RX	107	(E)DRN 132L4	385 305
423	1830	4.20*	1860	4.0	X	RXF	107	(E)DRN 132L4	425 306
465	1660	3.81	1810	4.4	X				
524	1470	3.38	1750	5.0	X				
392	1970	4.52	1570	2.7	X				
439	1760	4.04	1530	3.0	X				
488	1580	3.64*	1490	3.3	X				
538	1430	3.30	1450	3.7	X				
607	1270	2.92	1400	4.1	X	RX	97	(E)DRN 132L4	315 303
672	1150	2.64	1360	4.6	X	RXF	97	(E)DRN 132L4	330 304
792	970	2.24*	1300	5.4	X				
907	850	1.96	1250	5.9	X				
1085	710	1.64	1180	6.2	X				
1255	615	1.42	1130	6.5	X				
511	1510	3.48	1120	2.4	X				
575	1340	3.09	1090	2.7	X				
643	1200	2.76*	1060	3.0	X				
715	1080	2.48	1030	3.3	X	RX	87	(E)DRN 132L4	260 301
824	940	2.15	990	3.6	X	RXF	87	(E)DRN 132L4	270 302
920	840	1.93	960	3.7	X				
1110	695	1.60*	910	4.0	X				
1275	605	1.39	880	4.2	X				
731	1060	2.43	770	1.80	X				
833	930	2.13	750	1.90	X	RX	77	(E)DRN 132L4	225 299
944	820	1.88*	725	2.0	X	RXF	77	(E)DRN 132L4	230 300
1065	725	1.67	705	2.1	X				
1245	620	1.42	675	2.2	X				

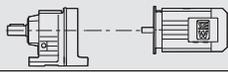
<b>P<sub>m</sub> = 15.0 HP</b>									
n <sub>a</sub> rpm	T <sub>a</sub> lb-in	i ratio	F <sub>Ra</sub> <sup>1)</sup> lb	SEW SF f <sub>B</sub>	HazLoc -NA®			m lbs	
6.0	141100	295	27000	1.15	X				
6.6	131900	270	27000	1.20	X	R	167R107	(E)DRN 160M4	1990 344/346
7.8	111300	229	27000	1.45	X	RF	167R107	(E)DRN 160M4	2000 345/346
8.9	96700	200	27000	1.65	X	RM	167R107	(E)DRN 160M4	2430 345/346
10	81100	169	27000	1.95	X				
6.1	144900	291	27000	1.10	X				
6.7	131200	264	27000	1.20	X	R	167R107	(E)DRN 160M4	1980 344/346
7.8	112300	227	27000	1.40	X	RF	167R107	(E)DRN 160M4	1990 345/346
9.0	97600	198	27000	1.65	X	RM	167R107	(E)DRN 160M4	2420 345/346
11	82400	168	27000	1.95	X				

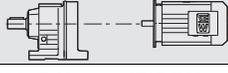
21933480/EN-US - 04/2018

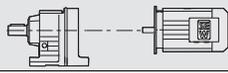
<b>P<sub>m</sub> = 15.0 HP</b>											
<b>n<sub>a</sub></b> <b>rpm</b>	<b>T<sub>a</sub></b> <b>lb-in</b>	<b>i</b> <b>ratio</b>	<b>F<sub>Ra</sub><sup>1)</sup></b> <b>lb</b>	<b>SEW SF</b> <b>f<sub>B</sub></b>	<b>HazLoc</b> <b>-NA<sup>®</sup></b>					<b>m</b> <b>lbs</b>	
<b>5.9</b>	148500	303	27000	1.05	X	<b>R</b>	<b>167R97</b>	<b>(E)DRN</b>	<b>160M4</b>	1880	344/346
<b>6.4</b>	136800	279	27000	1.15	X	<b>RF</b>	<b>167R97</b>	<b>(E)DRN</b>	<b>160M4</b>	1900	345/346
						<b>RM</b>	<b>167R97</b>	<b>(E)DRN</b>	<b>160M4</b>	2330	345/346
<b>8.3</b>	105700	214	14500	1.10	X	<b>R</b>	<b>147R87</b>	<b>(E)DRN</b>	<b>160M4</b>	1210	342/346
<b>9.4</b>	93400	189	15000	1.25	X	<b>RF</b>	<b>147R87</b>	<b>(E)DRN</b>	<b>160M4</b>	1220	343/346
<b>11</b>	78500	159	15600	1.45	X	<b>RM</b>	<b>147R87</b>	<b>(E)DRN</b>	<b>160M4</b>	1590	343/346
<b>7.7</b>	122200	229.71	27000	1.30	X						
<b>9.5</b>	99400	186.93*	27000	1.60	X						
<b>12</b>	81400	153.07	27000	1.95	X						
<b>13</b>	74400	139.98	27000	2.1	X	<b>R</b>	<b>167</b>	<b>(E)DRN</b>	<b>160M4</b>	1600	344
<b>15</b>	64800	121.81*	27000	2.5	X	<b>RF</b>	<b>167</b>	<b>(E)DRN</b>	<b>160M4</b>	1620	345
<b>17</b>	57200	107.49	27000	2.8	X	<b>RM</b>	<b>167</b>	<b>(E)DRN</b>	<b>160M4</b>	2050	345
<b>19</b>	49500	93.19	27000	3.2	X						
<b>21</b>	44100	82.91*	27000	3.6	X						
<b>39</b>	24400	46.00	27000	2.5	X	<b>R</b>	<b>167</b>	<b>(E)DRN</b>	<b>160M4</b>	1590	344
						<b>RF</b>	<b>167</b>	<b>(E)DRN</b>	<b>160M4</b>	1600	345
						<b>RM</b>	<b>167</b>	<b>(E)DRN</b>	<b>160M4</b>	2030	345
<b>11</b>	86900	163.31	15300	1.30	X						
<b>12</b>	78100	146.91	15600	1.45	X						
<b>15</b>	63700	119.86	16000	1.80	X						
<b>16</b>	58100	109.31	16100	2.0	X						
<b>19</b>	50300	94.60*	16300	2.3	X	<b>R</b>	<b>147</b>	<b>(E)DRN</b>	<b>160M4</b>	1060	342
<b>21</b>	44400	83.47	16400	2.6	X	<b>RF</b>	<b>147</b>	<b>(E)DRN</b>	<b>160M4</b>	1080	343
<b>25</b>	38300	72.09	16500	3.0	X	<b>RM</b>	<b>147</b>	<b>(E)DRN</b>	<b>160M4</b>	1450	343
<b>27</b>	35600	66.99	16500	3.2	X						
<b>29</b>	32500	61.09	16600	3.5	X						
<b>34</b>	28100	52.87	16600	4.1	X						
<b>14</b>	68200	128.18	12100	1.05	X						
<b>16</b>	60500	113.72	12500	1.15	X						
<b>17</b>	54900	103.20*	12700	1.30	X						
<b>20</b>	47200	88.70*	13000	1.50	X						
<b>22</b>	43000	80.91*	13200	1.65	X						
<b>24</b>	39100	73.49	13300	1.80	X	<b>R</b>	<b>137</b>	<b>(E)DRN</b>	<b>160M4</b>	780	340
<b>27</b>	34600	65.20	13400	2.0	X	<b>RF</b>	<b>137</b>	<b>(E)DRN</b>	<b>160M4</b>	830	341
<b>30</b>	31400	59.17*	13500	2.2	X	<b>RM</b>	<b>137</b>	<b>(E)DRN</b>	<b>160M4</b>	1070	341
<b>35</b>	27000	50.86*	13500	2.6	X						
<b>40</b>	23600	44.39	13600	3.0	X						
<b>47</b>	20000	37.65	13700	3.5	X						
<b>54</b>	17500	32.91	13700	4.0	X						
<b>18</b>	51500	96.95	9660	1.05	X						
<b>21</b>	45300	85.26	9660	1.15	X						
<b>22</b>	43700	82.17	9660	1.20	X						
<b>23</b>	40500	76.21	9660	1.30	X						
<b>26</b>	36500	68.61	9660	1.45	X	<b>R</b>	<b>127</b>	<b>(E)DRN</b>	<b>160M4</b>	720	338
<b>29</b>	33000	62.13	9660	1.60	X	<b>RF</b>	<b>127</b>	<b>(E)DRN</b>	<b>160M4</b>	740	339
<b>32</b>	29300	55.09	9660	1.80	X	<b>RM</b>	<b>127</b>	<b>(E)DRN</b>	<b>160M4</b>	950	339
<b>36</b>	26500	49.81	9660	2.0	X						
<b>42</b>	22400	42.22	9660	2.4	X						
<b>48</b>	19600	36.88	9660	2.6	X						
<b>58</b>	16400	30.84	9660	2.9	X						
<b>55</b>	17100	32.18	9660	3.1	X						
<b>62</b>	15300	28.84	9660	3.5	X	<b>R</b>	<b>127</b>	<b>(E)DRN</b>	<b>160M4</b>	680	338
<b>68</b>	13800	26.04	9660	3.8	X	<b>RF</b>	<b>127</b>	<b>(E)DRN</b>	<b>160M4</b>	730	339
<b>75</b>	12500	23.65	9660	4.2	X	<b>RM</b>	<b>127</b>	<b>(E)DRN</b>	<b>160M4</b>	940	339
<b>85</b>	11100	20.98	9660	4.8	X						
<b>24</b>	38700	72.88	6180	1.00							
<b>27</b>	34900	65.60*	6070	1.10	X						
<b>30</b>	31600	59.41	5970	1.20	X						
<b>34</b>	28000	52.68	5830	1.35	X	<b>R</b>	<b>107</b>	<b>(E)DRN</b>	<b>160M4</b>	590	336
<b>37</b>	25300	47.63	5710	1.50	X	<b>RF</b>	<b>107</b>	<b>(E)DRN</b>	<b>160M4</b>	610	337
<b>44</b>	21400	40.37*	5510	1.75	X	<b>RM</b>	<b>107</b>	<b>(E)DRN</b>	<b>160M4</b>	800	337
<b>50</b>	18700	35.26	5340	2.0	X						
<b>60</b>	15600	29.49	5120	2.4	X						

<b>P<sub>m</sub> = 15.0 HP</b>									
<b>n<sub>a</sub></b> <b>rpm</b>	<b>T<sub>a</sub></b> <b>lb-in</b>	<b>i</b> <b>ratio</b>	<b>F<sub>Ra</sub><sup>1)</sup></b> <b>lb</b>	<b>SEW SF</b> <b>f<sub>B</sub></b>	<b>HazLoc</b> <b>-NA<sup>®</sup></b>			<b>m</b> <b>lbs</b>	
<b>58</b>	16300	30.77	5170	2.3	X				
<b>64</b>	14600	27.58	5030	2.6	X				
<b>71</b>	13200	24.90*	4900	2.9	X	<b>R</b>	<b>107</b>	<b>(E)DRN 160M4</b>	580 336
<b>79</b>	12000	22.62	4780	3.2	X	<b>RF</b>	<b>107</b>	<b>(E)DRN 160M4</b>	590 337
<b>89</b>	10600	20.07	4630	3.6	X	<b>RM</b>	<b>107</b>	<b>(E)DRN 160M4</b>	790 337
<b>98</b>	9680	18.21	4510	3.9	X				
<b>37</b>	25300	47.58	4260	1.05	X				
<b>42</b>	22700	42.78	4190	1.15	X	<b>R</b>	<b>97</b>	<b>(E)DRN 160M4</b>	465 334
<b>48</b>	19700	37.13	4100	1.35	X	<b>RF</b>	<b>97</b>	<b>(E)DRN 160M4</b>	500 335
<b>53</b>	17600	33.25	4020	1.45	X	<b>RM</b>	<b>97</b>	<b>(E)DRN 160M4</b>	620 335
<b>64</b>	14600	27.58	3880	1.60	X				
<b>71</b>	13300	25.03	3800	1.90	X				
<b>79</b>	11900	22.37	3710	2.0	X				
<b>88</b>	10700	20.14	3620	2.1	X				
<b>97</b>	9700	18.24	3540	2.3	X				
<b>110</b>	8600	16.17	3430	2.5	X	<b>R</b>	<b>97</b>	<b>(E)DRN 160M4</b>	460 334
<b>121</b>	7780	14.62	3350	2.6	X	<b>RF</b>	<b>97</b>	<b>(E)DRN 160M4</b>	500 335
<b>143</b>	6590	12.39	3210	2.9	X	<b>RM</b>	<b>97</b>	<b>(E)DRN 160M4</b>	610 335
<b>164</b>	5760	10.83	3090	3.2	X				
<b>191</b>	4940	9.29	3010	3.6	X				
<b>212</b>	4460	8.39	2930	4.0	X				
<b>250</b>	3780	7.12	2790	4.7	X				
<b>286</b>	3300	6.21	2680	5.1	X				
<b>83</b>	11400	21.51	2870	1.15	X				
<b>93</b>	10100	19.10	2810	1.25	X				
<b>104</b>	9080	17.08*	2750	1.35	X				
<b>116</b>	8170	15.35	2690	1.45	X				
<b>133</b>	7090	13.33	2610	1.60	X				
<b>149</b>	6350	11.93	2540	1.70	X	<b>R</b>	<b>87</b>	<b>(E)DRN 160M4</b>	375 331
<b>179</b>	5260	9.90*	2430	2.0	X	<b>RF</b>	<b>87</b>	<b>(E)DRN 160M4</b>	390 332
<b>194</b>	4860	9.14*	2440	2.2	X	<b>RM</b>	<b>87</b>	<b>(E)DRN 160M4</b>	455 332
<b>216</b>	4370	8.22	2370	2.4	X				
<b>249</b>	3790	7.13	2280	2.5	X				
<b>278</b>	3390	6.39	2210	2.6	X				
<b>335</b>	2820	5.30*	2100	2.9	X				
<b>163</b>	5780	10.88	1190	1.00	X				
<b>184</b>	5130	9.64	1310	1.10	X	<b>R</b>	<b>77</b>	<b>(E)DRN 160M4</b>	315 328
<b>229</b>	4110	7.74	1220	1.30	X	<b>RF</b>	<b>77</b>	<b>(E)DRN 160M4</b>	325 329
<b>262</b>	3610	6.79	1320	1.40	X	<b>RM</b>	<b>77</b>	<b>(E)DRN 160M4</b>	380 329
<b>296</b>	3180	5.99*	1390	1.50	X				
<b>334</b>	2820	5.31*	1400	1.60	X				
<b>342</b>	2760	5.19	1920	2.2	X				
<b>382</b>	2470	4.65	1870	2.5	X				
<b>423</b>	2230	4.20*	1820	3.3	X				
<b>466</b>	2020	3.81	1780	3.6	X	<b>RX</b>	<b>107</b>	<b>(E)DRN 160M4</b>	460 305
<b>525</b>	1800	3.38	1720	4.1	X	<b>RXF</b>	<b>107</b>	<b>(E)DRN 160M4</b>	495 306
<b>578</b>	1630	3.07	1680	4.5	X				
<b>673</b>	1400	2.64*	1610	5.2	X				
<b>393</b>	2400	4.52	1530	2.2	X				
<b>439</b>	2150	4.04	1490	2.5	X				
<b>488</b>	1930	3.64*	1450	2.7	X				
<b>539</b>	1750	3.30	1410	3.0	X				
<b>608</b>	1550	2.92	1370	3.4	X	<b>RX</b>	<b>97</b>	<b>(E)DRN 160M4</b>	385 303
<b>672</b>	1400	2.64	1330	3.7	X	<b>RXF</b>	<b>97</b>	<b>(E)DRN 160M4</b>	405 304
<b>793</b>	1190	2.24*	1270	4.4	X				
<b>908</b>	1040	1.96	1230	4.8	X				
<b>1085</b>	870	1.64	1170	5.1	X				
<b>1255</b>	750	1.42	1120	5.3	X				

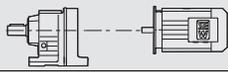
21933480/EN-US - 04/2018

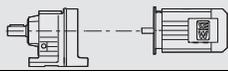
<b>P<sub>m</sub> = 15.0 HP</b>							<b>m lbs</b>			
<b>n<sub>a</sub> rpm</b>	<b>T<sub>a</sub> lb-in</b>	<b>i ratio</b>	<b>F<sub>Ra</sub><sup>1)</sup> lb</b>	<b>SEW SF f<sub>B</sub></b>	<b>HazLoc -NA<sup>®</sup></b>					
511	1840	3.48	1080	1.95	X	<b>RX</b>	<b>87</b>	<b>(E)DRN 160M4</b>	<b>330</b>	<b>301</b>
575	1640	3.09	1050	2.2	X					
643	1460	2.76*	1030	2.4	X					
716	1320	2.48	1000	2.7	X					
825	1140	2.15	970	3.0	X					
921	1020	1.93	940	3.1	X					
1110	850	1.60*	890	3.3	X					
1275	740	1.39	860	3.5	X					
731	1290	2.43	560	1.45	X	<b>RX</b>	<b>77</b>	<b>(E)DRN 160M4</b>	<b>295</b>	<b>299</b>
834	1130	2.13	600	1.55	X					
945	1000	1.88*	625	1.65	X					
1065	880	1.67	645	1.75	X					
1250	755	1.42	655	1.80	X					

<b>P<sub>m</sub> = 20 HP</b>							<b>m lbs</b>			
<b>n<sub>a</sub> rpm</b>	<b>T<sub>a</sub> lb-in</b>	<b>i ratio</b>	<b>F<sub>Ra</sub><sup>1)</sup> lb</b>	<b>SEW SF f<sub>B</sub></b>	<b>HazLoc -NA<sup>®</sup></b>					
7.8	149500	229	27000	1.05	X	<b>R</b>	<b>167R107</b>	<b>(E)DRN 160L4</b>	<b>2020</b>	<b>344/346</b>
8.9	130100	200	27000	1.20	X					
10	109300	169	27000	1.45	X					
7.8	150500	227	27000	1.05	X	<b>R</b>	<b>167R107</b>	<b>(E)DRN 160L4</b>	<b>2010</b>	<b>344/346</b>
9.0	131000	198	27000	1.20	X					
11	110700	168	27000	1.45	X					
11	105000	159	14600	1.10	X	<b>R</b>	<b>147R87</b>	<b>(E)DRN 160L4</b>	<b>1240</b>	<b>342/346</b>
7.7	162800	229.71	27000	1.00		<b>R</b>	<b>167</b>	<b>(E)DRN 160L4</b>	<b>1640</b>	<b>344</b>
9.5	132500	186.93*	27000	1.20	X					
12	108500	153.07	27000	1.45	X					
13	99200	139.98	27000	1.60	X					
15	86300	121.81*	27000	1.85	X					
17	76200	107.49	27000	2.1	X					
19	66000	93.19	27000	2.4	X					
21	58700	82.91*	27000	2.7	X					
24	52200	73.70*	27000	3.0	X					
26	47700	67.40	27000	3.3	X					
39	32600	46.00	27000	1.90	X					
47	26700	37.74	27000	3.0	X					
11	115800	163.31	14000	1.00		<b>R</b>	<b>147</b>	<b>(E)DRN 160L4</b>	<b>1090</b>	<b>342</b>
12	104100	146.91	14600	1.10	X					
15	84900	119.86	15400	1.35	X					
16	77500	109.31	15600	1.50	X					
19	67000	94.60*	15900	1.70	X					
21	59100	83.47	16100	1.95	X					
25	51100	72.09	16300	2.2	X					
27	47500	66.99	16300	2.4	X					
29	43300	61.09	16400	2.7	X					
34	37400	52.87	16500	3.1	X					
38	33000	46.65	16600	3.5	X					
20	62900	88.70*	12400	1.15	X	<b>R</b>	<b>137</b>	<b>(E)DRN 160L4</b>	<b>810</b>	<b>340</b>
22	57300	80.91*	12600	1.25	X					
24	52100	73.49	12900	1.35	X					
27	46200	65.20	13100	1.55	X					
30	41900	59.17*	13200	1.70	X					
35	36000	50.86*	13400	1.95	X					
40	31400	44.39	13500	2.2	X					
47	26700	37.65	13600	2.6	X					
54	23300	32.91	13600	3.0	X					
64	19700	27.83	13700	3.4	X					

<b>P<sub>m</sub> = 20 HP</b>									
<b>n<sub>a</sub></b> rpm	<b>T<sub>a</sub></b> lb-in	<b>i</b> ratio	<b>F<sub>Ra</sub><sup>1)</sup></b> lb	<b>SEW SF</b> f <sub>B</sub>	<b>HazLoc</b> -NA®			<b>m</b> lbs	
23	54000	76.21	9660	1.00					
26	48600	68.61	9660	1.10	X				
29	44000	62.13	9660	1.20	X	<b>R</b>	<b>127</b>	<b>(E)DRN 160L4</b>	<b>750 338</b>
32	39000	55.09	9660	1.35	X	<b>RF</b>	<b>127</b>	<b>(E)DRN 160L4</b>	<b>780 339</b>
36	35300	49.81	9660	1.50	X	<b>RM</b>	<b>127</b>	<b>(E)DRN 160L4</b>	<b>990 339</b>
42	29900	42.22	9660	1.75	X				
48	26100	36.88	9660	1.95	X				
58	21800	30.84	9660	2.2	X				
55	22800	32.18	9660	2.3	X				
62	20400	28.84	9660	2.6	X				
68	18400	26.04	9660	2.9	X	<b>R</b>	<b>127</b>	<b>(E)DRN 160L4</b>	<b>720 338</b>
75	16700	23.65	9660	3.2	X	<b>RF</b>	<b>127</b>	<b>(E)DRN 160L4</b>	<b>760 339</b>
85	14800	20.98	9660	3.6	X	<b>RM</b>	<b>127</b>	<b>(E)DRN 160L4</b>	<b>980 339</b>
93	13500	19.04	9660	3.9	X				
109	11600	16.37	9660	4.6	X				
34	37300	52.68	5440	1.00	X	<b>R</b>	<b>107</b>	<b>(E)DRN 160L4</b>	<b>630 336</b>
37	33700	47.63	5360	1.15	X	<b>RF</b>	<b>107</b>	<b>(E)DRN 160L4</b>	<b>640 337</b>
44	28600	40.37*	5210	1.35	X	<b>RM</b>	<b>107</b>	<b>(E)DRN 160L4</b>	<b>840 337</b>
50	25000	35.26	5080	1.50	X				
60	20900	29.49	4900	1.80	X				
58	21800	30.77	4940	1.75	X				
64	19500	27.58	4830	1.95	X	<b>R</b>	<b>107</b>	<b>(E)DRN 160L4</b>	<b>610 336</b>
71	17600	24.90*	4720	2.1	X	<b>RF</b>	<b>107</b>	<b>(E)DRN 160L4</b>	<b>630 337</b>
79	16000	22.62	4610	2.4	X	<b>RM</b>	<b>107</b>	<b>(E)DRN 160L4</b>	<b>820 337</b>
89	14200	20.07	4480	2.7	X				
98	12900	18.21	4380	3.0	X				
114	11000	15.65	4210	3.4	X				
130	9680	13.66	4060	3.9	X				
48	26300	37.13	3760	1.00	X	<b>R</b>	<b>97</b>	<b>(E)DRN 160L4</b>	<b>500 334</b>
53	23500	33.25	3720	1.10	X	<b>RF</b>	<b>97</b>	<b>(E)DRN 160L4</b>	<b>540 335</b>
64	19500	27.58	3630	1.20	X	<b>RM</b>	<b>97</b>	<b>(E)DRN 160L4</b>	<b>650 335</b>
71	17700	25.03	3570	1.40	X				
79	15800	22.37	3500	1.50	X				
88	14200	20.14	3440	1.60	X				
97	12900	18.24	3370	1.70	X				
110	11400	16.17	3290	1.85	X	<b>R</b>	<b>97</b>	<b>(E)DRN 160L4</b>	<b>495 334</b>
122	10300	14.62	3220	1.95	X	<b>RF</b>	<b>97</b>	<b>(E)DRN 160L4</b>	<b>530 335</b>
143	8780	12.39	3100	2.2	X	<b>RM</b>	<b>97</b>	<b>(E)DRN 160L4</b>	<b>650 335</b>
164	7670	10.83	3000	2.4	X				
191	6580	9.29	2940	2.7	X				
212	5950	8.39	2860	3.0	X				
250	5040	7.12	2730	3.5	X				
286	4400	6.21	2630	3.8	X				
104	12100	17.08*	2560	1.00	X				
116	10800	15.35	2520	1.10	X				
133	9450	13.33	2460	1.20	X				
149	8460	11.93	2410	1.30	X				
179	7020	9.90*	2320	1.50	X	<b>R</b>	<b>87</b>	<b>(E)DRN 160L4</b>	<b>410 331</b>
194	6480	9.14*	2360	1.65	X	<b>RF</b>	<b>87</b>	<b>(E)DRN 160L4</b>	<b>425 332</b>
216	5820	8.22	2300	1.75	X	<b>RM</b>	<b>87</b>	<b>(E)DRN 160L4</b>	<b>490 332</b>
249	5050	7.13	2220	1.85	X				
278	4530	6.39	2150	2.0	X				
335	3750	5.30*	2050	2.1	X				
342	3680	5.19	1830	1.65	X				
382	3290	4.65	1790	1.85	X				
423	2970	4.20*	1750	2.5	X				
466	2700	3.81	1710	2.7	X				
525	2400	3.38	1660	3.1	X				
579	2170	3.07	1620	3.4	X	<b>RX</b>	<b>107</b>	<b>(E)DRN 160L4</b>	<b>495 305</b>
673	1870	2.64*	1560	3.9	X	<b>RXF</b>	<b>107</b>	<b>(E)DRN 160L4</b>	<b>530 306</b>
771	1630	2.30	1500	4.5	X				
909	1380	1.95	1430	4.9	X				
1040	1210	1.71	1380	5.2	X				
1230	1020	1.44	1320	5.6	X				

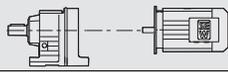
21933480/EN-US - 04/2018

<b>P<sub>m</sub> = 20 HP</b>											
<b>n<sub>a</sub></b> rpm	<b>T<sub>a</sub></b> lb-in	<b>i</b> ratio	<b>F<sub>Ra</sub><sup>1)</sup></b> lb	<b>SEW SF</b> f <sub>B</sub>	<b>HazLoc</b> -NA <sup>®</sup>					<b>m</b> lbs	
393	3200	4.52	1450	1.65	X						
439	2860	4.04	1420	1.85	X						
488	2580	3.64*	1380	2.0	X						
539	2330	3.30	1350	2.2	X						
608	2070	2.92	1320	2.5	X	<b>RX</b>	<b>97</b>	<b>(E)DRN</b>	<b>160L4</b>	420	303
672	1870	2.64	1280	2.8	X	<b>RXF</b>	<b>97</b>	<b>(E)DRN</b>	<b>160L4</b>	440	304
793	1580	2.24*	1230	3.3	X						
908	1380	1.96	1190	3.6	X						
1085	1160	1.64	1130	3.9	X						
1255	1000	1.42	1090	4.0	X						
511	2460	3.48	1010	1.45	X						
576	2180	3.09	990	1.65	X						
644	1950	2.76*	970	1.85	X						
716	1750	2.48	950	2.0	X	<b>RX</b>	<b>87</b>	<b>(E)DRN</b>	<b>160L4</b>	365	301
825	1520	2.15	920	2.2	X	<b>RXF</b>	<b>87</b>	<b>(E)DRN</b>	<b>160L4</b>	380	302
921	1360	1.93	900	2.3	X						
1110	1130	1.60*	860	2.5	X						
1275	980	1.39	830	2.6	X						

<b>P<sub>m</sub> = 25 HP</b>											
<b>n<sub>a</sub></b> rpm	<b>T<sub>a</sub></b> lb-in	<b>i</b> ratio	<b>F<sub>Ra</sub><sup>1)</sup></b> lb	<b>SEW SF</b> f <sub>B</sub>	<b>HazLoc</b> -NA <sup>®</sup>					<b>m</b> lbs	
11	137300	169	27000	1.15	X	<b>R</b>	<b>167R107</b>	<b>(E)DRN</b>	<b>180M4</b>	2070	344/346
						<b>RF</b>	<b>167R107</b>	<b>(E)DRN</b>	<b>180M4</b>	2080	345/346
						<b>RM</b>	<b>167R107</b>	<b>(E)DRN</b>	<b>180M4</b>	2520	345/346
11	138700	168	27000	1.15	X	<b>R</b>	<b>167R107</b>	<b>(E)DRN</b>	<b>180M4</b>	2060	344/346
						<b>RF</b>	<b>167R107</b>	<b>(E)DRN</b>	<b>180M4</b>	2070	345/346
						<b>RM</b>	<b>167R107</b>	<b>(E)DRN</b>	<b>180M4</b>	2500	345/346
12	135300	153.07	27000	1.20	X						
13	123800	139.98	27000	1.30	X						
15	107700	121.81*	27000	1.50	X						
17	95000	107.49	27000	1.70	X	<b>R</b>	<b>167</b>	<b>(E)DRN</b>	<b>180M4</b>	1690	344
19	82400	93.19	27000	1.95	X	<b>RF</b>	<b>167</b>	<b>(E)DRN</b>	<b>180M4</b>	1700	345
21	73300	82.91*	27000	2.2	X	<b>RM</b>	<b>167</b>	<b>(E)DRN</b>	<b>180M4</b>	2130	345
24	65100	73.70*	27000	2.4	X						
26	59600	67.40	27000	2.7	X						
30	51800	58.65	27000	3.1	X						
47	33300	37.74	27000	2.4	X	<b>R</b>	<b>167</b>	<b>(E)DRN</b>	<b>180M4</b>	1680	344
						<b>RF</b>	<b>167</b>	<b>(E)DRN</b>	<b>180M4</b>	1690	345
						<b>RM</b>	<b>167</b>	<b>(E)DRN</b>	<b>180M4</b>	2120	345
15	106000	119.86	14500	1.10	X						
16	96600	109.31	14900	1.20	X						
19	83600	94.60*	15400	1.35	X						
21	73800	83.47	15700	1.55	X						
25	63700	72.09	16000	1.80	X	<b>R</b>	<b>147</b>	<b>(E)DRN</b>	<b>180M4</b>	1140	342
27	59200	66.99	16100	1.95	X	<b>RF</b>	<b>147</b>	<b>(E)DRN</b>	<b>180M4</b>	1160	343
29	54000	61.09	16200	2.1	X	<b>RM</b>	<b>147</b>	<b>(E)DRN</b>	<b>180M4</b>	1530	343
34	46700	52.87	16300	2.5	X						
38	41200	46.65	16400	2.8	X						
44	35600	40.29	16500	3.2	X						
22	71500	80.91*	12000	1.00	X						
24	64900	73.49	12300	1.10	X						
27	57600	65.20	12600	1.25	X						
30	52300	59.17*	12800	1.35	X	<b>R</b>	<b>137</b>	<b>(E)DRN</b>	<b>180M4</b>	860	340
35	44900	50.86*	13100	1.55	X	<b>RF</b>	<b>137</b>	<b>(E)DRN</b>	<b>180M4</b>	910	341
40	39200	44.39	13300	1.80	X	<b>RM</b>	<b>137</b>	<b>(E)DRN</b>	<b>180M4</b>	1160	341
47	33300	37.65	13400	2.1	X						
54	29100	32.91	13500	2.4	X						
64	24600	27.83	13600	2.8	X						
60	26100	29.57*	13600	2.6	X	<b>R</b>	<b>137</b>	<b>(E)DRN</b>	<b>180M4</b>	840	340
74	21300	24.12	13600	3.3	X	<b>RF</b>	<b>137</b>	<b>(E)DRN</b>	<b>180M4</b>	890	341
81	19400	22.00*	13700	3.6	X	<b>RM</b>	<b>137</b>	<b>(E)DRN</b>	<b>180M4</b>	1140	341
94	16800	19.04*	13700	4.2	X						
106	14800	16.80*	13700	4.8	X						

21933480/EN-US - 04/2018

**P<sub>m</sub> = 25 HP**

n <sub>a</sub> rpm	T <sub>a</sub> lb-in	i ratio	F <sub>Ra</sub> <sup>1)</sup> lb	SEW SF f <sub>B</sub>	HazLoc -NA®					m lbs	
<b>32</b>	48700	55.09	9660	1.10	X						
<b>36</b>	44000	49.81	9660	1.20	X	<b>R</b>	<b>127</b>	<b>(E)DRN</b>	<b>180M4</b>	800	338
<b>42</b>	37300	42.22	9660	1.40	X	<b>RF</b>	<b>127</b>	<b>(E)DRN</b>	<b>180M4</b>	830	339
<b>48</b>	32600	36.88	9660	1.55	X	<b>RM</b>	<b>127</b>	<b>(E)DRN</b>	<b>180M4</b>	1040	339
<b>58</b>	27200	30.84	9660	1.75	X						
<b>68</b>	23000	26.04	9660	2.3	X						
<b>75</b>	20900	23.65	9660	2.5	X						
<b>85</b>	18500	20.98	9660	2.9	X	<b>R</b>	<b>127</b>	<b>(E)DRN</b>	<b>180M4</b>	760	338
<b>94</b>	16800	19.04	9660	3.1	X	<b>RF</b>	<b>127</b>	<b>(E)DRN</b>	<b>180M4</b>	810	339
<b>109</b>	14400	16.37	9660	3.7	X	<b>RM</b>	<b>127</b>	<b>(E)DRN</b>	<b>180M4</b>	1020	339
<b>125</b>	12600	14.29	9660	4.2	X						
<b>201</b>	7830	8.85	9660	4.4	X						
<b>44</b>	35700	40.37*	4910	1.05	X	<b>R</b>	<b>107</b>	<b>(E)DRN</b>	<b>180M4</b>	680	336
<b>51</b>	31100	35.26	4810	1.20	X	<b>RF</b>	<b>107</b>	<b>(E)DRN</b>	<b>180M4</b>	690	337
<b>60</b>	26000	29.49	4670	1.45	X	<b>RM</b>	<b>107</b>	<b>(E)DRN</b>	<b>180M4</b>	880	337
<b>72</b>	22000	24.90*	4530	1.75	X						
<b>79</b>	20000	22.62	4440	1.90	X						
<b>89</b>	17700	20.07	4330	2.1	X						
<b>98</b>	16100	18.21	4240	2.4	X						
<b>114</b>	13800	15.65	4090	2.8	X	<b>R</b>	<b>107</b>	<b>(E)DRN</b>	<b>180M4</b>	660	336
<b>130</b>	12000	13.66	3960	3.1	X	<b>RF</b>	<b>107</b>	<b>(E)DRN</b>	<b>180M4</b>	670	337
<b>154</b>	10200	11.59	3800	3.7	X	<b>RM</b>	<b>107</b>	<b>(E)DRN</b>	<b>180M4</b>	870	337
<b>176</b>	8950	10.13	3670	4.2	X						
<b>227</b>	6940	7.86	3470	3.8	X						
<b>267</b>	5890	6.66	3310	4.5	X						
<b>88</b>	17800	20.14	3250	1.30	X						
<b>98</b>	16100	18.24	3200	1.35	X						
<b>110</b>	14300	16.17	3140	1.50	X						
<b>122</b>	12900	14.62	3080	1.55	X						
<b>144</b>	10900	12.39	2980	1.75	X						
<b>165</b>	9570	10.83	2900	1.95	X	<b>R</b>	<b>97</b>	<b>(E)DRN</b>	<b>180M4</b>	540	334
<b>192</b>	8210	9.29	2870	2.2	X	<b>RF</b>	<b>97</b>	<b>(E)DRN</b>	<b>180M4</b>	580	335
<b>212</b>	7420	8.39	2800	2.4	X	<b>RM</b>	<b>97</b>	<b>(E)DRN</b>	<b>180M4</b>	690	335
<b>250</b>	6290	7.12	2680	2.8	X						
<b>287</b>	5490	6.21	2580	3.0	X						
<b>343</b>	4590	5.20	2460	3.4	X						
<b>396</b>	3970	4.50*	2360	3.6	X						
<b>149</b>	10500	11.93	2280	1.05	X						
<b>180</b>	8750	9.90*	2210	1.20	X						
<b>195</b>	8080	9.14*	2270	1.30	X	<b>R</b>	<b>87</b>	<b>(E)DRN</b>	<b>180M4</b>	455	331
<b>217</b>	7260	8.22	2220	1.40	X	<b>RF</b>	<b>87</b>	<b>(E)DRN</b>	<b>180M4</b>	470	332
<b>250</b>	6300	7.13	2150	1.50	X	<b>RM</b>	<b>87</b>	<b>(E)DRN</b>	<b>180M4</b>	540	332
<b>279</b>	5640	6.39	2090	1.60	X						
<b>336</b>	4680	5.30*	2000	1.70	X						
<b>424</b>	3710	4.20*	1670	2.0	X						
<b>467</b>	3370	3.81	1640	2.2	X						
<b>526</b>	2990	3.38	1600	2.5	X						
<b>580</b>	2710	3.07	1560	2.7	X						
<b>675</b>	2330	2.64*	1510	3.1	X	<b>RX</b>	<b>107</b>	<b>(E)DRN</b>	<b>180M4</b>	540	305
<b>773</b>	2030	2.30	1460	3.6	X	<b>RXF</b>	<b>107</b>	<b>(E)DRN</b>	<b>180M4</b>	580	306
<b>911</b>	1720	1.95	1400	3.9	X						
<b>1045</b>	1510	1.71	1350	4.1	X						
<b>1235</b>	1270	1.44	1290	4.5	X						
<b>489</b>	3210	3.64*	1320	1.65	X						
<b>540</b>	2910	3.30	1290	1.80	X						
<b>609</b>	2580	2.92	1260	2.0	X						
<b>674</b>	2330	2.64	1240	2.2	X	<b>RX</b>	<b>97</b>	<b>(E)DRN</b>	<b>180M4</b>	470	303
<b>795</b>	1980	2.24*	1190	2.7	X	<b>RXF</b>	<b>97</b>	<b>(E)DRN</b>	<b>180M4</b>	490	304
<b>910</b>	1730	1.96	1150	2.9	X						
<b>1090</b>	1440	1.64	1100	3.1	X						
<b>1255</b>	1250	1.42	1060	3.2	X						

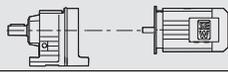
21933480/EN-US - 04/2018

### P<sub>m</sub> = 25 HP

n <sub>a</sub> rpm	T <sub>a</sub> lb-in	i ratio	F <sub>Ra</sub> <sup>1)</sup> lb	SEW SF f <sub>B</sub>	HazLoc -NA®		m lbs	
645	2440	2.76*	870	1.45	X			
718	2190	2.48	890	1.65	X			
827	1900	2.15	870	1.80	X	RX	87	(E)DRN 180M4 415 301
923	1700	1.93	850	1.85	X	RXF	87	(E)DRN 180M4 425 302
1115	1410	1.60*	820	1.95	X			
1280	1230	1.39	795	2.1	X			

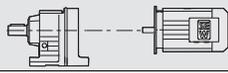
### P<sub>m</sub> = 30 HP

n <sub>a</sub> rpm	T <sub>a</sub> lb-in	i ratio	F <sub>Ra</sub> <sup>1)</sup> lb	SEW SF f <sub>B</sub>	HazLoc -NA®		m lbs	
12	162400	153.07	27000	1.00				
13	148500	139.98	27000	1.05	X			
15	129200	121.81*	27000	1.25	X			
17	114000	107.49	27000	1.40	X			
19	98900	93.19	27000	1.60	X	R	167	(E)DRN 180L4 1720 344
21	87900	82.91*	27000	1.80	X	RF	167	(E)DRN 180L4 1740 345
24	78200	73.70*	27000	2.0	X	RM	167	(E)DRN 180L4 2170 345
26	71500	67.40	27000	2.2	X			
30	62200	58.65	27000	2.6	X			
34	54900	51.76	27000	2.9	X			
40	47600	44.87	27000	3.3	X			
47	40000	37.74	27000	2.0	X	R	167	(E)DRN 180L4 1710 344
58	32500	30.71	27000	2.7	X	RF	167	(E)DRN 180L4 1720 345
						RM	167	(E)DRN 180L4 2160 345
16	116000	109.31	14000	1.00				
19	100300	94.60*	14800	1.15	X			
21	88500	83.47	15200	1.30	X			
25	76500	72.09	15600	1.50	X			
27	71000	66.99	15800	1.60	X	R	147	(E)DRN 180L4 1180 342
29	64800	61.09	16000	1.75	X	RF	147	(E)DRN 180L4 1200 343
34	56100	52.87	16200	2.0	X	RM	147	(E)DRN 180L4 1570 343
38	49500	46.65	16300	2.3	X			
44	42700	40.29	16400	2.7	X			
50	37800	35.64	16500	3.0	X			
59	31700	29.95	16600	3.6	X			
27	69100	65.20	12100	1.00	X			
30	62700	59.17*	12400	1.15	X			
35	53900	50.86*	12800	1.30	X	R	137	(E)DRN 180L4 900 340
40	47100	44.39	13000	1.50	X	RF	137	(E)DRN 180L4 950 341
47	39900	37.65	13300	1.75	X	RM	137	(E)DRN 180L4 1190 341
54	34900	32.91	13400	2.0	X			
64	29500	27.83	13500	2.3	X			
60	31300	29.57*	13500	2.2	X			
74	25600	24.12	13600	2.8	X			
81	23300	22.00*	13600	3.0	X	R	137	(E)DRN 180L4 880 340
94	20200	19.04*	13700	3.5	X	RF	137	(E)DRN 180L4 930 341
106	17800	16.80*	13700	4.0	X	RM	137	(E)DRN 180L4 1170 341
123	15300	14.51	13600	4.6	X			
139	13600	12.83	13200	5.2	X			
36	52800	49.81	9660	1.00	X	R	127	(E)DRN 180L4 840 338
42	44800	42.22	9660	1.20	X	RF	127	(E)DRN 180L4 860 339
48	39100	36.88	9660	1.30	X	RM	127	(E)DRN 180L4 1070 339
58	32700	30.84	9660	1.45	X			
68	27600	26.04	9660	1.90	X			
75	25100	23.65	9660	2.1	X			
85	22200	20.98	9660	2.4	X			
94	20200	19.04	9660	2.6	X			
109	17300	16.37	9660	3.1	X	R	127	(E)DRN 180L4 800 338
125	15100	14.29	9660	3.5	X	RF	127	(E)DRN 180L4 850 339
147	12800	12.12	9660	4.1	X	RM	127	(E)DRN 180L4 1060 339
168	11200	10.59	9660	4.5	X			
201	9390	8.85	9660	3.7	X			
237	7960	7.51	9660	4.4	X			

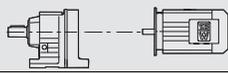
<b>P<sub>m</sub> = 30 HP</b>											
<b>n<sub>a</sub></b> rpm	<b>T<sub>a</sub></b> lb-in	<b>i</b> ratio	<b>F<sub>Ra</sub><sup>1)</sup></b> lb	<b>SEW SF</b> f <sub>B</sub>	<b>HazLoc</b> -NA <sup>®</sup>					<b>m</b> lbs	
<b>51</b>	37400	35.26	4550	1.00	X	<b>R</b>	<b>107</b>	<b>(E)DRN</b>	<b>180L4</b>	710	336
<b>60</b>	31200	29.49	4450	1.20	X	<b>RF</b>	<b>107</b>	<b>(E)DRN</b>	<b>180L4</b>	720	337
						<b>RM</b>	<b>107</b>	<b>(E)DRN</b>	<b>180L4</b>	920	337
<b>72</b>	26400	24.90*	4340	1.45	X						
<b>79</b>	24000	22.62	4270	1.60	X						
<b>89</b>	21200	20.07	4180	1.80	X						
<b>98</b>	19300	18.21	4100	1.95	X						
<b>114</b>	16600	15.65	3970	2.3	X						
<b>130</b>	14400	13.66	3860	2.6	X	<b>R</b>	<b>107</b>	<b>(E)DRN</b>	<b>180L4</b>	700	336
<b>154</b>	12200	11.59	3710	3.1	X	<b>RF</b>	<b>107</b>	<b>(E)DRN</b>	<b>180L4</b>	710	337
<b>176</b>	10700	10.13	3590	3.5	X	<b>RM</b>	<b>107</b>	<b>(E)DRN</b>	<b>180L4</b>	900	337
<b>208</b>	9080	8.56	3440	4.2	X						
<b>227</b>	8330	7.86	3420	3.1	X						
<b>267</b>	7070	6.66	3270	3.7	X						
<b>306</b>	6180	5.82	3140	4.2	X						
<b>88</b>	21300	20.14	3070	1.10	X						
<b>98</b>	19300	18.24	3040	1.15	X						
<b>110</b>	17100	16.17	2990	1.25	X						
<b>122</b>	15500	14.62	2950	1.30	X						
<b>144</b>	13100	12.39	2870	1.45	X						
<b>165</b>	11400	10.83	2800	1.60	X	<b>R</b>	<b>97</b>	<b>(E)DRN</b>	<b>180L4</b>	580	334
<b>192</b>	9850	9.29	2800	1.80	X	<b>RF</b>	<b>97</b>	<b>(E)DRN</b>	<b>180L4</b>	620	335
<b>212</b>	8900	8.39	2740	2.0	X	<b>RM</b>	<b>97</b>	<b>(E)DRN</b>	<b>180L4</b>	730	335
<b>250</b>	7550	7.12	2630	2.3	X						
<b>287</b>	6590	6.21	2540	2.5	X						
<b>343</b>	5510	5.20	2420	2.9	X						
<b>396</b>	4770	4.50*	2330	3.0	X						
<b>180</b>	10500	9.90*	2110	1.00							
<b>195</b>	9700	9.14*	2190	1.10	X	<b>R</b>	<b>87</b>	<b>(E)DRN</b>	<b>180L4</b>	490	331
<b>217</b>	8720	8.22	2150	1.20	X	<b>RF</b>	<b>87</b>	<b>(E)DRN</b>	<b>180L4</b>	510	332
<b>250</b>	7570	7.13	2090	1.25	X	<b>RM</b>	<b>87</b>	<b>(E)DRN</b>	<b>180L4</b>	570	332
<b>279</b>	6770	6.39	2040	1.35	X						
<b>336</b>	5620	5.30*	1950	1.45	X						
<b>424</b>	4450	4.20*	1600	1.65	X						
<b>467</b>	4040	3.81	1570	1.80	X						
<b>526</b>	3590	3.38	1540	2.0	X						
<b>580</b>	3250	3.07	1510	2.2	X						
<b>675</b>	2800	2.64*	1460	2.6	X	<b>RX</b>	<b>107</b>	<b>(E)DRN</b>	<b>180L4</b>	570	305
<b>773</b>	2440	2.30	1410	3.0	X	<b>RXF</b>	<b>107</b>	<b>(E)DRN</b>	<b>180L4</b>	610	306
<b>911</b>	2070	1.95	1360	3.3	X						
<b>1045</b>	1810	1.71	1310	3.4	X						
<b>1235</b>	1530	1.44	1260	3.7	X						
<b>489</b>	3860	3.64*	1250	1.35	X						
<b>540</b>	3490	3.30	1230	1.50	X						
<b>609</b>	3100	2.92	1210	1.70	X						
<b>674</b>	2800	2.64	1190	1.90	X	<b>RX</b>	<b>97</b>	<b>(E)DRN</b>	<b>180L4</b>	500	303
<b>795</b>	2370	2.24*	1150	2.2	X	<b>RXF</b>	<b>97</b>	<b>(E)DRN</b>	<b>180L4</b>	520	304
<b>910</b>	2070	1.96	1110	2.4	X						
<b>1090</b>	1730	1.64	1070	2.6	X						
<b>1255</b>	1500	1.42	1030	2.7	X						
<b>645</b>	2920	2.76*	520	1.20	X						
<b>718</b>	2630	2.48	590	1.35	X						
<b>827</b>	2280	2.15	665	1.50	X	<b>RX</b>	<b>87</b>	<b>(E)DRN</b>	<b>180L4</b>	450	301
<b>923</b>	2040	1.93	710	1.55	X	<b>RXF</b>	<b>87</b>	<b>(E)DRN</b>	<b>180L4</b>	460	302
<b>1115</b>	1690	1.60*	750	1.65	X						
<b>1280</b>	1470	1.39	760	1.75	X						

21933480/EN-US - 04/2018

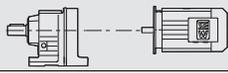
<b>P<sub>m</sub> = 40 HP</b>											
<b>n<sub>a</sub></b> rpm	<b>T<sub>a</sub></b> lb-in	<b>i</b> ratio	<b>F<sub>Ra</sub><sup>1)</sup></b> lb	<b>SEW SF</b> f <sub>B</sub>	<b>HazLoc</b> -NA <sup>®</sup>					<b>m</b> lbs	
17	151900	107.49	27000	1.05	X						
19	131700	93.19	27000	1.20	X						
22	117100	82.91*	27000	1.35	X						
24	104100	73.70*	27000	1.55	X						
26	95200	67.40	27000	1.65	X						
30	82800	58.65	27000	1.90	X	<b>R</b>	<b>167</b>	<b>(E)DRN</b>	<b>200L4</b>	1960	344
34	73100	51.76	27000	2.2	X	<b>RF</b>	<b>167</b>	<b>(E)DRN</b>	<b>200L4</b>	1980	345
40	63400	44.87	27000	2.5	X	<b>RM</b>	<b>167</b>	<b>(E)DRN</b>	<b>200L4</b>	2410	345
45	56400	39.92	27000	2.8	X						
52	48600	34.41	27000	3.3	X						
64	39500	27.96	27000	4.0	X						
75	33500	23.71	27000	4.8	X						
58	43400	30.71	27000	2.0	X	<b>R</b>	<b>167</b>	<b>(E)DRN</b>	<b>200L4</b>	1950	344
						<b>RF</b>	<b>167</b>	<b>(E)DRN</b>	<b>200L4</b>	1960	345
						<b>RM</b>	<b>167</b>	<b>(E)DRN</b>	<b>200L4</b>	2390	345
25	101800	72.09	14700	1.15	X						
27	94600	66.99	15000	1.20	X						
29	86300	61.09	15300	1.35	X						
34	74700	52.87	15700	1.55	X	<b>R</b>	<b>147</b>	<b>(E)DRN</b>	<b>200L4</b>	1420	342
38	65900	46.65	15900	1.75	X	<b>RF</b>	<b>147</b>	<b>(E)DRN</b>	<b>200L4</b>	1440	343
44	56900	40.29	16100	2.0	X	<b>RM</b>	<b>147</b>	<b>(E)DRN</b>	<b>200L4</b>	1800	343
50	50300	35.64	16300	2.3	X						
60	42300	29.95	16400	2.7	X						
74	34100	24.19	16500	3.1	X						
87	28800	20.44	16600	3.7	X	<b>R</b>	<b>147</b>	<b>(E)DRN</b>	<b>200L4</b>	1390	342
99	25400	18.04	16600	3.6	X	<b>RF</b>	<b>147</b>	<b>(E)DRN</b>	<b>200L4</b>	1410	343
114	22100	15.64	16700	5.2	X	<b>RM</b>	<b>147</b>	<b>(E)DRN</b>	<b>200L4</b>	1770	343
35	71800	50.86*	11900	1.00							
40	62700	44.39	12400	1.15	X	<b>R</b>	<b>137</b>	<b>(E)DRN</b>	<b>200L4</b>	1130	340
47	53200	37.65	12800	1.35	X	<b>RF</b>	<b>137</b>	<b>(E)DRN</b>	<b>200L4</b>	1190	341
54	46500	32.91	13100	1.50	X	<b>RM</b>	<b>137</b>	<b>(E)DRN</b>	<b>200L4</b>	1430	341
64	39300	27.83	13300	1.75	X						
74	34000	24.12	13400	2.1	X						
81	31000	22.00*	13500	2.3	X						
94	26900	19.04*	13500	2.6	X						
106	23700	16.80*	13300	3.0	X	<b>R</b>	<b>137</b>	<b>(E)DRN</b>	<b>200L4</b>	1110	340
123	20500	14.51	13000	3.5	X	<b>RF</b>	<b>137</b>	<b>(E)DRN</b>	<b>200L4</b>	1160	341
139	18100	12.83	12700	3.9	X	<b>RM</b>	<b>137</b>	<b>(E)DRN</b>	<b>200L4</b>	1410	341
165	15200	10.79	12300	4.6	X						
235	10700	7.59	11500	4.2	X						
279	9010	6.38	11000	5.0	X						
58	43500	30.84	9660	1.10	X	<b>R</b>	<b>127</b>	<b>(E)DRN</b>	<b>200L4</b>	1080	338
						<b>RF</b>	<b>127</b>	<b>(E)DRN</b>	<b>200L4</b>	1100	339
						<b>RM</b>	<b>127</b>	<b>(E)DRN</b>	<b>200L4</b>	1310	339
85	29600	20.98	9660	1.80	X						
94	26900	19.04	9660	1.95	X						
109	23100	16.37	9660	2.3	X						
125	20100	14.29	9660	2.6	X						
147	17100	12.12	9660	3.1	X	<b>R</b>	<b>127</b>	<b>(E)DRN</b>	<b>200L4</b>	1040	338
168	14900	10.59	9660	3.4	X	<b>RF</b>	<b>127</b>	<b>(E)DRN</b>	<b>200L4</b>	1090	339
199	12600	8.96	9660	3.8	X	<b>RM</b>	<b>127</b>	<b>(E)DRN</b>	<b>200L4</b>	1300	339
201	12500	8.85	9660	2.8	X						
237	10600	7.51	9660	3.3	X						
272	9270	6.56	9660	3.8	X						
321	7840	5.55	9660	4.4	X						
89	28300	20.07	3880	1.35	X						
98	25700	18.21	3830	1.50	X						
114	22100	15.65	3740	1.70	X						
131	19300	13.66	3650	1.95	X						
154	16300	11.59	3540	2.3	X	<b>R</b>	<b>107</b>	<b>(E)DRN</b>	<b>200L4</b>	940	336
176	14300	10.13	3440	2.7	X	<b>RF</b>	<b>107</b>	<b>(E)DRN</b>	<b>200L4</b>	950	337
208	12100	8.56	3310	3.1	X	<b>RM</b>	<b>107</b>	<b>(E)DRN</b>	<b>200L4</b>	1140	337
227	11100	7.86	3320	2.4	X						
268	9410	6.66	3180	2.8	X						
306	8230	5.82	3070	3.2	X						
362	6960	4.92	2930	3.7	X						

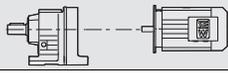
<b>P<sub>m</sub> = 40 HP</b>											
<b>n<sub>a</sub></b> rpm	<b>T<sub>a</sub></b> lb-in	<b>i</b> ratio	<b>F<sub>Ra</sub><sup>1)</sup></b> lb	<b>SEW SF</b> f <sub>B</sub>	<b>HazLoc</b> -NA <sup>®</sup>			<b>m</b> lbs			
122	20600	14.62	2680	1.00							
144	17500	12.39	2640	1.10	X						
165	15300	10.83	2600	1.20	X						
192	13100	9.29	2670	1.35	X	<b>R</b>	<b>97</b>	<b>(E)DRN</b>	<b>200L4</b>	820 334	
212	11800	8.39	2610	1.50	X	<b>RF</b>	<b>97</b>	<b>(E)DRN</b>	<b>200L4</b>	860 335	
251	10000	7.12	2520	1.75	X	<b>RM</b>	<b>97</b>	<b>(E)DRN</b>	<b>200L4</b>	970 335	
287	8780	6.21	2450	1.90	X						
343	7340	5.20	2340	2.1	X						
396	6360	4.50*	2260	2.3	X						
527	4780	3.38	1410	1.55	X						
581	4340	3.07	1390	1.70	X						
675	3730	2.64*	1360	1.95	X	<b>RX</b>	<b>107</b>	<b>(E)DRN</b>	<b>200L4</b>	820 305	
774	3250	2.30	1330	2.2	X	<b>RXF</b>	<b>107</b>	<b>(E)DRN</b>	<b>200L4</b>	850 306	
912	2760	1.95	1280	2.5	X						
1045	2410	1.71	1240	2.6	X						
1235	2040	1.44	1200	2.8	X						
610	4130	2.92	990	1.25	X						
675	3730	2.64	1060	1.40	X						
796	3160	2.24*	1060	1.65	X	<b>RX</b>	<b>97</b>	<b>(E)DRN</b>	<b>200L4</b>	740 303	
911	2760	1.96	1040	1.80	X	<b>RXF</b>	<b>97</b>	<b>(E)DRN</b>	<b>200L4</b>	760 304	
1090	2310	1.64	1000	1.95	X						
1260	2000	1.42	970	2.0	X						

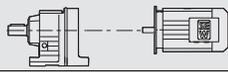
8

<b>P<sub>m</sub> = 50 HP</b>											
<b>n<sub>a</sub></b> rpm	<b>T<sub>a</sub></b> lb-in	<b>i</b> ratio	<b>F<sub>Ra</sub><sup>1)</sup></b> lb	<b>SEW SF</b> f <sub>B</sub>	<b>HazLoc</b> -NA <sup>®</sup>			<b>m</b> lbs			
22	146300	82.91*	27000	1.10	X						
24	130000	73.70*	27000	1.20	X						
26	118900	67.40	27000	1.35	X						
30	103500	58.65	27000	1.55	X	<b>R</b>	<b>167</b>	<b>(E)DRN</b>	<b>225S4</b>	2030 344	
34	91300	51.76	27000	1.75	X	<b>RF</b>	<b>167</b>	<b>(E)DRN</b>	<b>225S4</b>	2040 345	
40	79100	44.87	27000	2.0	X	<b>RM</b>	<b>167</b>	<b>(E)DRN</b>	<b>225S4</b>	2470 345	
45	70400	39.92	27000	2.3	X						
52	60700	34.41	27000	2.6	X						
64	49300	27.96	27000	3.2	X						
58	54100	30.71	27000	1.65	X						
73	43300	24.57	27000	2.9	X	<b>R</b>	<b>167</b>	<b>(E)DRN</b>	<b>225S4</b>	2020 344	
82	38500	21.85	27000	3.0	X	<b>RF</b>	<b>167</b>	<b>(E)DRN</b>	<b>225S4</b>	2030 345	
94	33500	19.03	27000	4.2	X	<b>RM</b>	<b>167</b>	<b>(E)DRN</b>	<b>225S4</b>	2460 345	
105	29900	16.98	27000	4.4	X						
29	107800	61.09	14400	1.05	X						
34	93300	52.87	15000	1.25	X						
38	82300	46.65	15400	1.40	X	<b>R</b>	<b>147</b>	<b>(E)DRN</b>	<b>225S4</b>	1490 342	
44	71100	40.29	15800	1.60	X	<b>RF</b>	<b>147</b>	<b>(E)DRN</b>	<b>225S4</b>	1510 343	
50	62800	35.64	16000	1.85	X	<b>RM</b>	<b>147</b>	<b>(E)DRN</b>	<b>225S4</b>	1880 343	
60	52800	29.95	16200	2.2	X						
74	42600	24.19	16400	2.5	X						
87	36000	20.44	16500	2.9	X	<b>R</b>	<b>147</b>	<b>(E)DRN</b>	<b>225S4</b>	1460 342	
99	31800	18.04	16600	2.9	X	<b>RF</b>	<b>147</b>	<b>(E)DRN</b>	<b>225S4</b>	1480 343	
114	27500	15.64	16600	4.2	X	<b>RM</b>	<b>147</b>	<b>(E)DRN</b>	<b>225S4</b>	1850 343	
128	24500	13.91	16600	4.5	X						
47	66400	37.65	12200	1.05	X	<b>R</b>	<b>137</b>	<b>(E)DRN</b>	<b>225S4</b>	1200 340	
54	58000	32.91	12600	1.20	X	<b>RF</b>	<b>137</b>	<b>(E)DRN</b>	<b>225S4</b>	1250 341	
64	49100	27.83	13000	1.40	X	<b>RM</b>	<b>137</b>	<b>(E)DRN</b>	<b>225S4</b>	1500 341	
74	42500	24.12	13000	1.65	X						
81	38800	22.00*	12900	1.80	X						
94	33600	19.04*	12800	2.1	X						
106	29600	16.80*	12600	2.4	X	<b>R</b>	<b>137</b>	<b>(E)DRN</b>	<b>225S4</b>	1180 340	
123	25600	14.51	12400	2.8	X	<b>RF</b>	<b>137</b>	<b>(E)DRN</b>	<b>225S4</b>	1230 341	
139	22600	12.83	12200	3.1	X	<b>RM</b>	<b>137</b>	<b>(E)DRN</b>	<b>225S4</b>	1480 341	
166	19000	10.79	11800	3.7	X						
205	15300	8.71	11400	4.5	X						
235	13300	7.59	11200	3.4	X						
280	11200	6.38	10800	4.0	X						

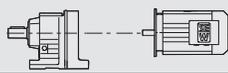
21933480/EN-US - 04/2018

<b>P<sub>m</sub> = 50 HP</b>									
n <sub>a</sub> rpm	T <sub>a</sub> lb-in	i ratio	F <sub>Ra</sub> <sup>1)</sup> lb	SEW SF f <sub>B</sub>	HazLoc -NA®			m lbs	
<b>346</b>	9090	5.15	10300	4.5	X				
<b>85</b>	37000	20.98	9660	1.45	X				
<b>94</b>	33600	19.04	9660	1.60	X				
<b>109</b>	28800	16.37	9660	1.85	X				
<b>125</b>	25200	14.29	9660	2.1	X				
<b>147</b>	21300	12.12	9660	2.5	X	<b>R</b>	<b>127</b>	<b>(E)DRN 225S4</b>	1110 338
<b>169</b>	18600	10.59	9660	2.7	X	<b>RF</b>	<b>127</b>	<b>(E)DRN 225S4</b>	1150 339
<b>199</b>	15800	8.96	9660	3.0	X	<b>RM</b>	<b>127</b>	<b>(E)DRN 225S4</b>	1370 339
<b>202</b>	15600	8.85	9660	2.2	X				
<b>238</b>	13200	7.51	9660	2.6	X				
<b>272</b>	11500	6.56	9660	3.0	X				
<b>322</b>	9790	5.55	9660	3.5	X				
<b>89</b>	35400	20.07	3580	1.05	X				
<b>98</b>	32100	18.21	3560	1.20	X				
<b>114</b>	27600	15.65	3510	1.40	X				
<b>131</b>	24100	13.66	3450	1.60	X				
<b>154</b>	20400	11.59	3360	1.85	X	<b>R</b>	<b>107</b>	<b>(E)DRN 225S4</b>	1010 336
<b>176</b>	17800	10.13	3290	2.1	X	<b>RF</b>	<b>107</b>	<b>(E)DRN 225S4</b>	1020 337
<b>208</b>	15100	8.56	3180	2.5	X	<b>RM</b>	<b>107</b>	<b>(E)DRN 225S4</b>	1210 337
<b>227</b>	13800	7.86	3220	1.90	X				
<b>268</b>	11700	6.66	3100	2.2	X				
<b>306</b>	10200	5.82	2990	2.6	X				
<b>362</b>	8690	4.92	2870	3.0	X				
<b>192</b>	16300	9.29	2530	1.10	X				
<b>213</b>	14800	8.39	2490	1.20	X				
<b>251</b>	12500	7.12	2420	1.40	X	<b>R</b>	<b>97</b>	<b>(E)DRN 225S4</b>	890 334
<b>287</b>	10900	6.21	2350	1.50	X	<b>RF</b>	<b>97</b>	<b>(E)DRN 225S4</b>	920 335
<b>343</b>	9170	5.20	2270	1.70	X	<b>RM</b>	<b>97</b>	<b>(E)DRN 225S4</b>	1040 335
<b>397</b>	7940	4.50*	2190	1.80	X				
<b>527</b>	5970	3.38	1290	1.25	X				
<b>581</b>	5420	3.07	1280	1.35	X				
<b>676</b>	4650	2.64*	1260	1.60	X	<b>RX</b>	<b>107</b>	<b>(E)DRN 225S4</b>	880 305
<b>775</b>	4060	2.30	1240	1.80	X	<b>RXF</b>	<b>107</b>	<b>(E)DRN 225S4</b>	920 306
<b>913</b>	3440	1.95	1210	1.95	X				
<b>1045</b>	3010	1.71	1180	2.1	X				
<b>1235</b>	2540	1.44	1140	2.2	X				
<b>611</b>	5150	2.92	410	1.00	X				
<b>675</b>	4660	2.64	520	1.15	X				
<b>797</b>	3950	2.24*	650	1.35	X	<b>RX</b>	<b>97</b>	<b>(E)DRN 225S4</b>	810 303
<b>912</b>	3450	1.96	755	1.45	X	<b>RXF</b>	<b>97</b>	<b>(E)DRN 225S4</b>	830 304
<b>1090</b>	2880	1.64	830	1.55	X				
<b>1260</b>	2500	1.42	870	1.60	X				

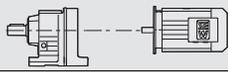
<b>P<sub>m</sub> = 60 HP</b>									
n <sub>a</sub> rpm	T <sub>a</sub> lb-in	i ratio	F <sub>Ra</sub> <sup>1)</sup> lb	SEW SF f <sub>B</sub>	HazLoc -NA®			m lbs	
<b>24</b>	156000	73.70*	27000	1.00	X				
<b>26</b>	142700	67.40	27000	1.10	X				
<b>30</b>	124200	58.65	27000	1.30	X				
<b>34</b>	109600	51.76	27000	1.45	X	<b>R</b>	<b>167</b>	<b>(E)DRN 225M4</b>	2030 344
<b>40</b>	95000	44.87	27000	1.70	X	<b>RF</b>	<b>167</b>	<b>(E)DRN 225M4</b>	2040 345
<b>45</b>	84500	39.92	27000	1.90	X	<b>RM</b>	<b>167</b>	<b>(E)DRN 225M4</b>	2470 345
<b>52</b>	72800	34.41	27000	2.2	X				
<b>64</b>	59200	27.96	27000	2.7	X				
<b>75</b>	50200	23.71	27000	3.2	X				
<b>58</b>	65000	30.71	27000	1.35	X				
<b>73</b>	52000	24.57	27000	2.4	X	<b>R</b>	<b>167</b>	<b>(E)DRN 225M4</b>	2020 344
<b>82</b>	46200	21.85	27000	2.5	X	<b>RF</b>	<b>167</b>	<b>(E)DRN 225M4</b>	2030 345
<b>94</b>	40300	19.03	27000	3.5	X	<b>RM</b>	<b>167</b>	<b>(E)DRN 225M4</b>	2460 345
<b>105</b>	35900	16.98	27000	3.7	X				

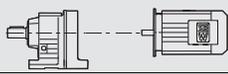
<b>P<sub>m</sub> = 60 HP</b>									
<b>n<sub>a</sub></b> rpm	<b>T<sub>a</sub></b> lb-in	<b>i</b> ratio	<b>F<sub>Ra</sub><sup>1)</sup></b> lb	<b>SEW SF</b> f <sub>B</sub>	<b>HazLoc</b> -NA <sup>®</sup>			<b>m</b> lbs	
34	111900	52.87	14200	1.05	X				
38	98800	46.65	14800	1.15	X	<b>R</b>	<b>147</b>	<b>(E)DRN 225M4</b>	1490 342
44	85300	40.29	15300	1.35	X	<b>RF</b>	<b>147</b>	<b>(E)DRN 225M4</b>	1510 343
50	75400	35.64	15700	1.50	X	<b>RM</b>	<b>147</b>	<b>(E)DRN 225M4</b>	1880 343
60	63400	29.95	16000	1.80	X				
74	51200	24.19	16300	2.1	X				
87	43200	20.44	16400	2.5	X				
99	38100	18.04	16500	2.4	X	<b>R</b>	<b>147</b>	<b>(E)DRN 225M4</b>	1460 342
114	33100	15.64	16600	3.5	X	<b>RF</b>	<b>147</b>	<b>(E)DRN 225M4</b>	1480 343
128	29400	13.91	16600	3.8	X	<b>RM</b>	<b>147</b>	<b>(E)DRN 225M4</b>	1850 343
149	25300	11.99	16600	4.5	X				
246	15300	7.25	16600	5.0	X				
54	69600	32.91	11600	1.00	X	<b>R</b>	<b>137</b>	<b>(E)DRN 225M4</b>	1200 340
64	58900	27.83	11900	1.15	X	<b>RF</b>	<b>137</b>	<b>(E)DRN 225M4</b>	1250 341
						<b>RM</b>	<b>137</b>	<b>(E)DRN 225M4</b>	1500 341
74	51000	24.12	12000	1.40	X				
81	46500	22.00*	12000	1.50	X				
94	40300	19.04*	12000	1.75	X				
106	35500	16.80*	11900	2.0	X				
123	30700	14.51	11800	2.3	X	<b>R</b>	<b>137</b>	<b>(E)DRN 225M4</b>	1180 340
139	27100	12.83	11700	2.6	X	<b>RF</b>	<b>137</b>	<b>(E)DRN 225M4</b>	1230 341
166	22800	10.79	11400	3.1	X	<b>RM</b>	<b>137</b>	<b>(E)DRN 225M4</b>	1480 341
205	18400	8.71	11000	3.8	X				
235	16000	7.59	10900	2.8	X				
280	13500	6.38	10500	3.4	X				
346	10900	5.15	10100	3.7	X				
85	44400	20.98	9660	1.20	X				
94	40300	19.04	9660	1.30	X				
109	34600	16.37	9660	1.55	X				
125	30200	14.29	9660	1.75	X				
147	25600	12.12	9660	2.0	X	<b>R</b>	<b>127</b>	<b>(E)DRN 225M4</b>	1110 338
169	22400	10.59	9660	2.2	X	<b>RF</b>	<b>127</b>	<b>(E)DRN 225M4</b>	1150 339
199	18900	8.96	9660	2.5	X	<b>RM</b>	<b>127</b>	<b>(E)DRN 225M4</b>	1370 339
202	18700	8.85	9660	1.85	X				
238	15900	7.51	9660	2.2	X				
272	13900	6.56	9660	2.5	X				
322	11700	5.55	9660	3.0	X				
114	33100	15.65	3270	1.15	X				
131	28900	13.66	3240	1.30	X				
154	24500	11.59	3190	1.55	X				
176	21400	10.13	3140	1.75	X	<b>R</b>	<b>107</b>	<b>(E)DRN 225M4</b>	1010 336
208	18100	8.56	3060	2.1	X	<b>RF</b>	<b>107</b>	<b>(E)DRN 225M4</b>	1020 337
227	16600	7.86	3120	1.60	X	<b>RM</b>	<b>107</b>	<b>(E)DRN 225M4</b>	1210 337
268	14100	6.66	3010	1.85	X				
306	12300	5.82	2920	2.1	X				
362	10400	4.92	2810	2.5	X				
527	7160	3.38	755	1.00	X				
581	6500	3.07	870	1.15	X				
676	5590	2.64*	1010	1.30	X	<b>RX</b>	<b>107</b>	<b>(E)DRN 225M4</b>	880 305
775	4880	2.30	1110	1.50	X	<b>RXF</b>	<b>107</b>	<b>(E)DRN 225M4</b>	920 306
913	4130	1.95	1130	1.65	X				
1045	3610	1.71	1110	1.70	X				
1235	3050	1.44	1080	1.85	X				

8

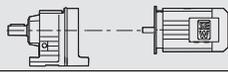
<b>P<sub>m</sub> = 75 HP</b>									
<b>n<sub>a</sub></b> rpm	<b>T<sub>a</sub></b> lb-in	<b>i</b> ratio	<b>F<sub>Ra</sub><sup>1)</sup></b> lb	<b>SEW SF</b> f <sub>B</sub>	<b>HazLoc</b> -NA <sup>®</sup>			<b>m</b> lbs	
30	155200	58.65	27000	1.05	X				
34	137000	51.76	27000	1.15	X				
40	118700	44.87	27000	1.35	X	<b>R</b>	<b>167</b>	<b>(E)DRN 250ME4</b>	2470 344
45	105600	39.92	27000	1.50	X	<b>RF</b>	<b>167</b>	<b>(E)DRN 250ME4</b>	2480 345
52	91000	34.41	27000	1.75	X	<b>RM</b>	<b>167</b>	<b>(E)DRN 250ME4</b>	2910 345
64	74000	27.96	27000	2.1	X				
75	62700	23.71	27000	2.5	X				

21933480/EN-US - 04/2018

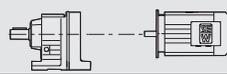
<b>P<sub>m</sub> = 75 HP</b>											
n <sub>a</sub> rpm	T <sub>a</sub> lb-in	i ratio	F <sub>Ra</sub> <sup>1)</sup> lb	SEW SF f <sub>B</sub>	HazLoc -NA®					m lbs	
73	65000	24.57	27000	1.90	X	R RF RM	167	(E)DRN	250ME4	2450	344
82	57800	21.85	27000	2.0	X						
94	50300	19.03	27000	2.8	X						
105	44900	16.98	27000	3.0	X						
123	38300	14.48	27000	4.2	X						
149	31700	11.99	25900	4.7	X						
44	106600	40.29	14500	1.10	X	R RF RM	147	(E)DRN	250ME4	1920	342
50	94300	35.64	15000	1.20	X						
60	79200	29.95	15500	1.45	X						
74	64000	24.19	16000	1.65	X						
87	54100	20.44	16200	1.95	X	R RF RM	147	(E)DRN	250ME4	1890	342
99	47700	18.04	16300	1.95	X						
114	41300	15.64	16400	2.8	X						
128	36800	13.91	16500	3.0	X						
149	31700	11.99	16600	3.6	X						
183	25700	9.74	16600	4.5	X						
246	19100	7.25	16300	4.0	X						
303	15500	5.89	15500	4.9	X						
94	50400	19.04*	10900	1.40	X	R RF RM	137	(E)DRN	250ME4	1620	340
106	44400	16.80*	10900	1.60	X						
123	38400	14.51	10900	1.85	X						
139	33900	12.83	10900	2.1	X						
166	28500	10.79	10800	2.5	X						
205	23000	8.71	10500	3.0	X						
235	20000	7.59	10500	2.2	X						
280	16800	6.38	10200	2.7	X						
346	13600	5.15	9780	3.0	X						
109	43300	16.37	9660	1.25	X	R RF RM	127	(E)DRN	250ME4	1540	338
125	37800	14.29	9660	1.40	X						
147	32000	12.12	9660	1.65	X						
169	28000	10.59	9660	1.80	X						
199	23700	8.96	9660	2.0	X						
202	23400	8.85	9660	1.50	X						
238	19800	7.51	9660	1.75	X						
272	17300	6.56	9660	2.0	X						
322	14600	5.55	9460	2.4	X						

<b>P<sub>m</sub> = 100 HP</b>											
n <sub>a</sub> rpm	T <sub>a</sub> lb-in	i ratio	F <sub>Ra</sub> <sup>1)</sup> lb	SEW SF f <sub>B</sub>	HazLoc -NA®					m lbs	
40	158300	44.87	27000	1.00	X	R RF RM	167	(E)DRN	280S4	2470	344
45	140900	39.92	27000	1.15	X						
52	121400	34.41	27000	1.30	X						
64	98600	27.96	27000	1.60	X						
75	83600	23.71	27000	1.90	X						
73	86700	24.57	27000	1.45	X	R RF RM	167	(E)DRN	280S4	2460	344
82	77100	21.85	27000	1.50	X						
94	67100	19.03	27000	2.1	X						
105	59900	16.98	27000	2.2	X						
123	51000	14.48	26200	3.1	X						
149	42300	11.99	25200	3.5	X						
174	36100	10.24	24300	4.2	X						
60	105700	29.95	14500	1.10	X						
74	85300	24.19	15300	1.25	X						

**P<sub>m</sub> = 100 HP**

n <sub>a</sub> rpm	T <sub>a</sub> lb-in	i ratio	F <sub>Ra</sub> <sup>1)</sup> lb	SEW SF f <sub>B</sub>	HazLoc -NA®			m lbs		
87	72100	20.44	15800	1.45	X					
99	63600	18.04	16000	1.45	X					
114	55100	15.64	16200	2.1	X					
128	49100	13.91	16300	2.3	X					
149	42300	11.99	16400	2.7	X	R	147	(E)DRN	280S4	1900 342
183	34300	9.74	16500	3.3	X	RF	147	(E)DRN	280S4	1910 343
216	29100	8.26	16400	3.9	X	RM	147	(E)DRN	280S4	2280 343
246	25500	7.25	15800	3.0	X					
303	20700	5.89	15100	3.7	X					
357	17600	5.00	14600	4.3	X					
94	67200	19.04*	8930	1.05	X					
106	59200	16.80*	9230	1.20	X					
123	51200	14.51	9460	1.40	X					
139	45200	12.83	9590	1.55	X	R	137	(E)DRN	280S4	1620 340
166	38000	10.79	9660	1.85	X	RF	137	(E)DRN	280S4	1670 341
205	30700	8.71	9630	2.3	X	RM	137	(E)DRN	280S4	1920 341
235	26700	7.59	9770	1.70	X					
280	22500	6.38	9580	2.0	X					
346	18100	5.15	9300	2.2	X					

**P<sub>m</sub> = 125 HP**

n <sub>a</sub> rpm	T <sub>a</sub> lb-in	i ratio	F <sub>Ra</sub> <sup>1)</sup> lb	SEW SF f <sub>B</sub>	HazLoc -NA®			m lbs		
52	151900	34.41	27000	1.05	X	R	167	(E)DRN	280M4	2720 344
64	123400	27.96	27000	1.30	X	RF	167	(E)DRN	280M4	2740 345
75	104600	23.71	27000	1.50	X	RM	167	(E)DRN	280M4	3170 345
73	108400	24.57	27000	1.15	X	R	167	(E)DRN	280M4/ERF/NS	2710 344
						RF	167	(E)DRN	280M4/ERF/NS	2720 345
						RM	167	(E)DRN	280M4/ERF/NS	3160 345
82	96400	21.85	27000	1.20	X					
94	84000	19.03	26500	1.70	X					
105	74900	16.98	26100	1.75	X	R	167	(E)DRN	280M4	2710 344
123	63900	14.48	25400	2.5	X	RF	167	(E)DRN	280M4	2720 345
149	52900	11.99	24500	2.8	X	RM	167	(E)DRN	280M4	3160 345
174	45100	10.24	23700	3.3	X					
74	106700	24.19	14500	1.00		R	147	(E)DRN	280M4	2180 342
						RF	147	(E)DRN	280M4	2200 343
						RM	147	(E)DRN	280M4	2560 343
87	90200	20.44	15200	1.20	X	R	147	(E)DRN	280M4/ERF/NS	2150 342
						RF	147	(E)DRN	280M4/ERF/NS	2170 343
						RM	147	(E)DRN	280M4/ERF/NS	2540 343
99	79600	18.04	15500	1.15	X					
114	69000	15.64	15800	1.65	X					
128	61400	13.91	16000	1.80	X					
149	52900	11.99	16200	2.2	X	R	147	(E)DRN	280M4	2150 342
183	43000	9.74	16200	2.7	X	RF	147	(E)DRN	280M4	2170 343
216	36400	8.26	15800	3.1	X	RM	147	(E)DRN	280M4	2540 343
246	32000	7.25	15300	2.4	X					
303	26000	5.89	14700	3.0	X					
357	22000	5.00	14200	3.5	X					
123	64000	14.51	8000	1.10	X					
139	56600	12.83	8290	1.25	X					
165	47600	10.79	8570	1.50	X	R	137	(E)DRN	280M4	1870 340
205	38400	8.71	8750	1.80	X	RF	137	(E)DRN	280M4	1930 341
235	33500	7.59	9060	1.35	X	RM	137	(E)DRN	280M4	2170 341
280	28100	6.38	8980	1.60	X					
346	22700	5.15	8810	1.80	X					

21933480/EN-US - 04/2018

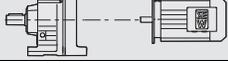
<b>P<sub>m</sub> = 150 HP</b>												
n <sub>a</sub> rpm	T <sub>a</sub> lb-in	i ratio	F <sub>Ra</sub> <sup>1)</sup> lb	SEW SF f <sub>B</sub>	HazLoc -NA <sup>®</sup>					m lbs		
64	147600	27.96	26100	1.10	X	R	167	(E)DRN	315S4	3260	344	
75	125100	23.71	25900	1.25	X	RF	167	(E)DRN	315S4	3280	345	
						RM	167	(E)DRN	315S4	3710	345	
94	100400	19.03	25400	1.40	X	R	167	(E)DRN	315S4/ERF/NS	3250	344	
						RF	167	(E)DRN	315S4/ERF/NS	3260	345	
						RM	167	(E)DRN	315S4/ERF/NS	3690	345	
105	89600	16.98	25000	1.50	X	R	167	(E)DRN	315S4	3250	344	
124	76400	14.48	24500	2.1	X	RF	167	(E)DRN	315S4	3260	345	
149	63300	11.99	23700	2.4	X	RM	167	(E)DRN	315S4	3690	345	
175	54000	10.24	23100	2.8	X							

<b>P<sub>m</sub> = 175 HP</b>												
n <sub>a</sub> rpm	T <sub>a</sub> lb-in	i ratio	F <sub>Ra</sub> <sup>1)</sup> lb	SEW SF f <sub>B</sub>	HazLoc -NA <sup>®</sup>					m lbs		
76	145900	23.71	24500	1.10	X	R	167	(E)DRN	315ME4	3540	344	
						RF	167	(E)DRN	315ME4	3560	345	
						RM	167	(E)DRN	315ME4	3990	345	
94	117100	19.03	24200	1.20	X	R	167	(E)DRN	315ME4/ERF/NS	3530	344	
105	104500	16.98	24000	1.25	X	RF	167	(E)DRN	315ME4/ERF/NS	3540	345	
						RM	167	(E)DRN	315ME4/ERF/NS	3970	345	
124	89100	14.48	23600	1.80	X	R	167	(E)DRN	315ME4	3530	344	
149	73800	11.99	23000	2.0	X	RF	167	(E)DRN	315ME4	3540	345	
175	63000	10.24	22500	2.4	X	RM	167	(E)DRN	315ME4	3970	345	

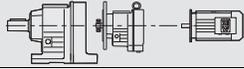
<b>P<sub>m</sub> = 200 HP</b>												
n <sub>a</sub> rpm	T <sub>a</sub> lb-in	i ratio	F <sub>Ra</sub> <sup>1)</sup> lb	SEW SF f <sub>B</sub>	HazLoc -NA <sup>®</sup>					m lbs		
124	102000	14.48	22700	1.55	X	R	167	(E)DRN	315L4	3580	344	
149	84500	11.99	22300	1.80	X	RF	167	(E)DRN	315L4	3600	345	
175	72100	10.24	21800	2.1	X	RM	167	(E)DRN	315L4	4030	345	

<b>P<sub>m</sub> = 225 HP</b>												
n <sub>a</sub> rpm	T <sub>a</sub> lb-in	i ratio	F <sub>Ra</sub> <sup>1)</sup> lb	SEW SF f <sub>B</sub>	HazLoc -NA <sup>®</sup>					m lbs		
124	114700	14.48	21900	1.40	X	R	167	(E)DRN	315L4	3580	344	
149	95000	11.99	21600	1.60	X	RF	167	(E)DRN	315L4	3600	345	
175	81100	10.24	21200	1.85	X	RM	167	(E)DRN	315L4	4030	345	

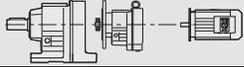
<b>P<sub>m</sub> = 250 HP</b>												
n <sub>a</sub> rpm	T <sub>a</sub> lb-in	i ratio	F <sub>Ra</sub> <sup>1)</sup> lb	SEW SF f <sub>B</sub>	HazLoc -NA <sup>®</sup>					m lbs		
124	127200	14.48	21000	1.25	X	R	167	(E)DRN	315H4	3840	344	
149	105400	11.99	20900	1.45	X	RF	167	(E)DRN	315H4	3860	345	
175	89900	10.24	20600	1.65	X	RM	167	(E)DRN	315H4	4290	345	

<b>P<sub>m</sub> = 300 HP</b>												
n <sub>a</sub> rpm	T <sub>a</sub> lb-in	i ratio	F <sub>Ra</sub> <sup>1)</sup> lb	SEW SF f <sub>B</sub>	HazLoc -NA <sup>®</sup>					m lbs		
124	152800	14.48	19300	1.05	X	R	167	(E)DRN	315H4	3840	344	
149	126600	11.99	19400	1.20	X	RF	167	(E)DRN	315H4	3860	345	
175	108000	10.24	19400	1.40	X	RM	167	(E)DRN	315H4	4290	345	

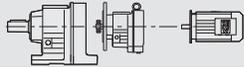
## 8.4 R.. R.. DRS/DRN.. Selections by torque / low output speed

$T_{a \max} = 1150 \text{ lb-in}$								
$n_a$ rpm	$i$	$F_{Ra}^{1)}$ lb					$m$ lbs	
0.20	8612	795						
0.23	7425	795						
0.24	6921	795						
0.28	6050	795						
0.32	5217	795						
0.36	4661	795						
0.41	4073	795						
0.48	3516	795	R	27R17	DR	63S4	25	313/346
0.53	3160	795	RF	27R17	DR	63S4	25	314/346
0.61	2763	795						
0.70	2414	795						
0.80	2110	795						
0.90	1862	795						
1.0	1625	795						
1.2	1434	795						
1.3	1254	795						
0.92	1822	795						
1.1	1580	795						
1.1	1464	795						
1.3	1270	795						
1.5	1100	795						
1.7	972	795	R	27R17	DR	63S4	25	313/346
2.0	840	795	RF	27R17	DR	63S4	25	314/346
2.3	741	795						
2.6	654	795						
3.0	566	795						
3.4	499	795						
1.5	1101	795						
1.8	962	795						
2.0	848	795						
2.3	743	795						
2.6	649	795						
3.0	567	795						
3.3	509	795	R	27R17	DR	63S4	25	313/346
3.9	432	795	RF	27R17	DR	63S4	25	314/346
4.3	387	795						
5.0	339	795						
5.7	296	795						
6.5	259	795						
7.3	229	795						
8.5	200	795						
9.6	177	795						
10	166	795						
11	150	795	R	27R17	DRS	71S4	30	313/346
12	141	795	RF	27R17	DRS	71S4	30	314/346
14	124	795						
15	110	795						
18	94	795						
3.8	440	795						
4.4	381	795						
5.1	329	795	R	27R17	DR	63S4	24	313/346
5.8	290	795	RF	27R17	DR	63S4	24	314/346
6.6	256	795						
7.4	227	795						
8.4	203	795						
9.5	179	795						
11	156	795						
13	135	795	R	27R17	DRS	71S4	30	313/346
14	118	795	RF	27R17	DRS	71S4	30	314/346
16	104	795						
19	90	795						

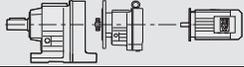
21933480/EN-US - 04/2018

<b>T<sub>a max</sub> = 1760 lb-in</b>								
<b>n<sub>a</sub></b> rpm	<b>i</b>	<b>F<sub>Ra</sub><sup>1)</sup></b> lb					<b>m</b> lbs	
0.20	8595	950						
0.23	7411	950						
0.24	6907	950						
0.28	6038	950						
0.32	5206	950						
0.36	4651	950						
0.41	4065	950						
0.46	3658	950	<b>R</b>	<b>37R17</b>	<b>DR</b>	<b>63S4</b>	38	316/346
0.53	3154	950	<b>RF</b>	<b>37R17</b>	<b>DR</b>	<b>63S4</b>	41	317/346
0.61	2757	950						
0.70	2409	950						
0.80	2106	950						
0.90	1856	950						
1.0	1622	950						
1.2	1431	950						
1.3	1251	950						
0.92	1818	950						
1.1	1576	950						
1.2	1359	950						
1.3	1267	950						
1.5	1098	950	<b>R</b>	<b>37R17</b>	<b>DR</b>	<b>63S4</b>	38	316/346
1.7	970	950	<b>RF</b>	<b>37R17</b>	<b>DR</b>	<b>63S4</b>	41	317/346
2.0	839	950						
2.3	740	950						
2.6	653	950						
2.9	577	950						
3.4	498	950						
1.5	1099	950						
1.8	960	950						
2.0	847	950						
2.3	741	950	<b>R</b>	<b>37R17</b>	<b>DR</b>	<b>63S4</b>	38	316/346
2.6	647	950	<b>RF</b>	<b>37R17</b>	<b>DR</b>	<b>63S4</b>	41	317/346
3.0	566	950						
3.3	508	950						
3.9	431	950						
4.3	387	950						
5.0	338	950						
5.8	296	950						
6.6	259	950						
7.5	228	950						
8.5	199	950	<b>R</b>	<b>37R17</b>	<b>DRS</b>	<b>71S4</b>	43	316/346
9.9	172	950	<b>RF</b>	<b>37R17</b>	<b>DRS</b>	<b>71S4</b>	46	317/346
11	150	950						
13	130	950						
14	124	950						
15	110	950						
18	94	950	<b>R</b>	<b>37R17</b>	<b>DRS</b>	<b>71M4</b>	46	316/346
			<b>RF</b>	<b>37R17</b>	<b>DRS</b>	<b>71M4</b>	49	317/346
3.8	439	950						
4.4	378	950	<b>R</b>	<b>37R17</b>	<b>DR</b>	<b>63S4</b>	37	316/346
5.1	328	950	<b>RF</b>	<b>37R17</b>	<b>DR</b>	<b>63S4</b>	40	317/346
5.9	289	950						
6.4	265	950						
7.5	226	950						
8.4	202	950	<b>R</b>	<b>37R17</b>	<b>DRS</b>	<b>71S4</b>	43	316/346
9.5	179	950	<b>RF</b>	<b>37R17</b>	<b>DRS</b>	<b>71S4</b>	46	317/346
11	156	950						
13	135	950						
13	127	950						
16	104	950	<b>R</b>	<b>37R17</b>	<b>DRS</b>	<b>71M4</b>	45	316/346
19	90	950	<b>RF</b>	<b>37R17</b>	<b>DRS</b>	<b>71M4</b>	49	317/346

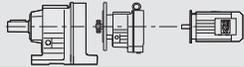
**T<sub>a max</sub> = 2650 lb-in**

n <sub>a</sub> rpm	i	F <sub>Ra</sub> <sup>1)</sup> lb					m lbs	
0.12	13598	1120						
0.13	12472	1120						
0.16	10619	1120						
0.18	9155	1120						
0.20	8534	1120						
0.23	7460	1120						
0.24	6993	1120						
0.27	6171	1120	R	47R37	DR	63S4	63	319/346
0.30	5624	1120	RF	47R37	DR	63S4	63	320/346
0.35	4849	1120						
0.37	4520	1120						
0.43	3951	1120						
0.45	3704	1120						
0.51	3268	1120						
0.58	2898	1120						
0.68	2463	1120						
0.65	2598	1120						
0.71	2383	1120						
0.83	2029	1120						
0.96	1749	1120						
1.0	1630	1120						
1.2	1425	1120						
1.3	1336	1120						
1.4	1179	1120	R	47R37	DR	63S4	63	319/346
1.6	1074	1120	RF	47R37	DR	63S4	63	320/346
1.8	927	1120						
1.9	863	1120						
2.2	755	1120						
2.4	708	1120						
2.7	624	1120						
3.0	554	1120						
3.6	471	1120	R	47R37	DRS	71S4	69	319/346
			RF	47R37	DRS	71S4	69	320/346
0.59	2856	1120						
0.64	2625	1120						
0.75	2246	1120						
0.86	1948	1120						
0.92	1821	1120						
1.1	1573	1120	R	47R37	DR	63S4	63	319/346
1.4	1193	1120	RF	47R37	DR	63S4	63	320/346
1.6	1020	1120						
1.8	955	1120						
2.1	804	1120						
2.5	673	1120						
2.9	572	1120						
3.3	510	1120						
3.9	436	1120	R	47R37	DRS	71S4	68	319/346
4.2	408	1120	RF	47R37	DRS	71S4	69	320/346
4.9	344	1120						
3.1	546	1120	R	47R37	DR	63S4	62	319/346
3.4	502	1120	RF	47R37	DR	63S4	63	320/346
4.0	429	1120						
4.6	372	1120						
4.9	348	1120						
5.7	301	1120	R	47R37	DRS	71S4	68	319/346
6.7	255	1120	RF	47R37	DRS	71S4	69	320/346
7.5	228	1120						
8.7	195	1120						
9.3	182	1120						
11	154	1120	R	47R37	DRS	71M4	71	319/346
13	129	1120	RF	47R37	DRS	71M4	71	320/346
15	109	1120						
18	98	1120	R	47R37	DRN	80M4	81	319/346
			RF	47R37	DRN	80M4	81	320/346

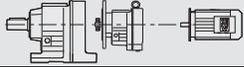
21933480/EN-US - 04/2018

$T_{a \max} = 3980 \text{ lb-in}$								
$n_a$ rpm	$i$	$F_{Ra}^{1)}$ lb					m lbs	
0.12	14369	1600						
0.14	12095	1600						
0.15	10860	1600						
0.18	9445	1600						
0.20	8480	1600						
0.23	7312	1600						
0.26	6521	1600						
0.30	5585	1600	R	57R37	DR	63S4	76	322/346
0.34	4928	1600	RF	57R37	DR	63S4	83	323/346
0.38	4378	1600	RM	57R37	DR	63S4	110	323/346
0.43	3873	1600						
0.50	3344	1600						
0.58	2907	1600						
0.65	2567	1600						
0.75	2244	1600						
0.85	1967	1600						
0.57	2957	1600						
0.67	2508	1600						
0.73	2309	1600						
0.84	1991	1600						
0.95	1768	1600	R	57R37	DR	63S4	74	322/346
1.1	1520	1600	RF	57R37	DR	63S4	81	323/346
1.2	1342	1600	RM	57R37	DR	63S4	110	323/346
1.4	1164	1600						
1.6	1027	1600						
1.9	894	1600						
2.1	805	1600						
2.5	683	1600						
2.8	603	1600	R	57R37	DRS	71S4	80	322/346
3.2	534	1600	RF	57R37	DRS	71S4	87	323/346
3.7	454	1600	RM	57R37	DRS	71S4	115	323/346
4.2	410	1600						
0.97	1732	1600						
1.1	1555	1600	R	57R37	DR	63S4	75	322/346
1.2	1399	1600	RF	57R37	DR	63S4	83	323/346
1.4	1189	1600	RM	57R37	DR	63S4	110	323/346
1.6	1034	1600						
2.1	782	1600						
2.5	678	1600						
2.8	604	1600						
3.2	537	1600	R	57R37	DRS	71S4	81	322/346
3.6	471	1600	RF	57R37	DRS	71S4	89	323/346
4.8	357	1600	RM	57R37	DRS	71S4	115	323/346
5.3	319	1600						
6.2	273	1600						
7.0	241	1600						
7.9	215	1600	R	57R37	DRS	71M4	84	322/346
9.0	187	1600	RF	57R37	DRS	71M4	91	323/346
10	164	1600	RM	57R37	DRS	71M4	120	323/346
12	142	1600	R	57R37	DRN	80M4	94	322/346
			RF	57R37	DRN	80M4	100	323/346
			RM	57R37	DRN	80M4	130	323/346
4.7	359	1600						
5.2	324	1600	R	57R37	DRS	71S4	79	322/346
5.9	290	1600	RF	57R37	DRS	71S4	87	323/346
6.5	262	1600	RM	57R37	DRS	71S4	115	323/346
6.9	246	1600						
7.7	220	1600						
9.0	188	1600	R	57R37	DRS	71M4	82	322/346
11	159	1600	RF	57R37	DRS	71M4	89	323/346
			RM	57R37	DRS	71M4	115	323/346
12	146	1600						
13	134	1600	R	57R37	DRN	80M4	92	322/346
			RF	57R37	DRN	80M4	99	323/346
			RM	57R37	DRN	80M4	125	323/346

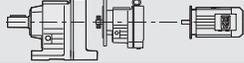
**T<sub>a max</sub> = 5300 lb-in**

n <sub>a</sub> rpm	i	F <sub>Ra</sub> <sup>1)</sup> lb					m lbs	
0.11	15361	1700						
0.13	12931	1700						
0.14	11996	1700						
0.17	10097	1700						
0.19	9066	1700						
0.21	7816	1700						
0.25	6732	1700	R	67R37	DR	63S4	90	325/346
0.28	5970	1700	RF	67R37	DR	63S4	97	326/346
0.32	5268	1700	RM	67R37	DR	63S4	130	326/346
0.36	4680	1700						
0.41	4136	1700						
0.47	3566	1700						
0.54	3125	1700						
0.61	2745	1700						
0.70	2403	1700						
0.63	2682	1700						
0.68	2460	1700						
0.80	2094	1700	R	67R37	DR	63S4	88	325/346
0.93	1805	1700	RF	67R37	DR	63S4	95	326/346
1.0	1629	1700	RM	67R37	DR	63S4	130	326/346
1.1	1471	1700						
1.2	1379	1700						
1.5	1109	1700						
1.8	956	1700	R	67R37	DRS	71S4	94	325/346
1.9	891	1700	RF	67R37	DRS	71S4	100	326/346
2.3	730	1700	RM	67R37	DRS	71S4	135	326/346
2.6	644	1700						
3.0	571	1700						
3.5	486	1700						
0.79	2136	1700	R	67R37	DR	63S4	90	325/346
0.91	1852	1700	RF	67R37	DR	63S4	97	326/346
1.0	1652	1700	RM	67R37	DR	63S4	130	326/346
1.2	1432	1700						
1.3	1259	1700						
1.5	1106	1700						
2.0	836	1700	R	67R37	DRS	71S4	96	325/346
2.3	750	1700	RF	67R37	DRS	71S4	105	326/346
2.6	646	1700	RM	67R37	DRS	71S4	140	326/346
3.0	574	1700						
3.4	495	1700						
3.9	438	1700						
4.4	388	1700						
4.9	344	1700						
5.8	294	1700	R	67R37	DRS	71M4	98	325/346
6.5	261	1700	RF	67R37	DRS	71M4	105	326/346
7.2	234	1700	RM	67R37	DRS	71M4	140	326/346
8.8	200	1700	R	67R37	DRN	80M4	110	325/346
10.0	176	1700	RF	67R37	DRN	80M4	115	326/346
			RM	67R37	DRN	80M4	150	326/346
11	158	1700	R	67R37	DRN	90S4	120	325/346
			RF	67R37	DRN	90S4	130	326/346
			RM	67R37	DRN	90S4	165	326/346
3.8	443	1700	R	67R37	DRS	71S4	94	325/346
4.4	384	1700	RF	67R37	DRS	71S4	100	326/346
4.7	359	1700	RM	67R37	DRS	71S4	135	326/346
5.5	310	1700	R	67R37	DRS	71M4	96	325/346
6.4	264	1700	RF	67R37	DRS	71M4	105	326/346
7.2	235	1700	RM	67R37	DRS	71M4	140	326/346
8.7	201	1700	R	67R37	DRN	80M4	105	325/346
9.7	181	1700	RF	67R37	DRN	80M4	115	326/346
			RM	67R37	DRN	80M4	150	326/346
11	159	1700	R	67R37	DRN	90S4	120	325/346
			RF	67R37	DRN	90S4	125	326/346
			RM	67R37	DRN	90S4	160	326/346

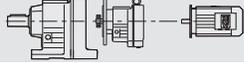
21933480/EN-US - 04/2018

$T_{a \max} = 7250 \text{ lb-in}$							$m$	
$n_a$ rpm	$i$	$F_{Ra}^{1)}$ lb				lbs		
0.10	16370	2230						
0.11	15015	2230						
0.12	13885	2230						
0.13	12783	2230						
0.15	11021	2230						
0.17	9788	2230						
0.19	8714	2230						
0.22	7617	2230	<b>R</b>	<b>77R37</b>	<b>DR</b>	<b>63S4</b>	100	328/346
0.25	6770	2230	<b>RF</b>	<b>77R37</b>	<b>DR</b>	<b>63S4</b>	115	329/346
0.29	5838	2230	<b>RM</b>	<b>77R37</b>	<b>DR</b>	<b>63S4</b>	170	329/346
0.32	5184	2230						
0.38	4470	2230						
0.42	3999	2230						
0.48	3488	2230						
0.55	3053	2230						
0.63	2671	2230						
0.53	3151	2230						
0.58	2890	2230						
0.68	2460	2230	<b>R</b>	<b>77R37</b>	<b>DR</b>	<b>63S4</b>	100	328/346
0.79	2121	2230	<b>RF</b>	<b>77R37</b>	<b>DR</b>	<b>63S4</b>	110	329/346
0.85	1977	2230	<b>RM</b>	<b>77R37</b>	<b>DR</b>	<b>63S4</b>	165	329/346
0.97	1728	2230						
1.0	1620	2230						
1.2	1430	2230						
1.3	1303	2230						
1.5	1124	2230						
1.6	1047	2230						
1.9	915	2230	<b>R</b>	<b>77R37</b>	<b>DRS</b>	<b>71S4</b>	105	328/346
2.0	858	2230	<b>RF</b>	<b>77R37</b>	<b>DRS</b>	<b>71S4</b>	120	329/346
2.2	757	2230	<b>RM</b>	<b>77R37</b>	<b>DRS</b>	<b>71S4</b>	175	329/346
2.5	671	2230						
3.0	571	2230						
0.72	2345	2230						
0.81	2070	2230	<b>R</b>	<b>77R37</b>	<b>DR</b>	<b>63S4</b>	100	328/346
0.92	1822	2230	<b>RF</b>	<b>77R37</b>	<b>DR</b>	<b>63S4</b>	115	329/346
1.1	1580	2230	<b>RM</b>	<b>77R37</b>	<b>DR</b>	<b>63S4</b>	170	329/346
1.2	1394	2230						
1.4	1218	2230						
1.6	1084	2230						
1.8	940	2230						
2.1	821	2230	<b>R</b>	<b>77R37</b>	<b>DRS</b>	<b>71S4</b>	110	328/346
2.3	731	2230	<b>RF</b>	<b>77R37</b>	<b>DRS</b>	<b>71S4</b>	120	329/346
2.6	646	2230	<b>RM</b>	<b>77R37</b>	<b>DRS</b>	<b>71S4</b>	175	329/346
3.0	560	2230						
3.5	488	2230						
3.9	436	2230	<b>R</b>	<b>77R37</b>	<b>DRS</b>	<b>71M4</b>	110	328/346
4.5	373	2230	<b>RF</b>	<b>77R37</b>	<b>DRS</b>	<b>71M4</b>	125	329/346
5.2	327	2230	<b>RM</b>	<b>77R37</b>	<b>DRS</b>	<b>71M4</b>	180	329/346
5.9	289	2230						
6.8	260	2230	<b>R</b>	<b>77R37</b>	<b>DRN</b>	<b>80M4</b>	120	328/346
7.8	224	2230	<b>RF</b>	<b>77R37</b>	<b>DRN</b>	<b>80M4</b>	135	329/346
			<b>RM</b>	<b>77R37</b>	<b>DRN</b>	<b>80M4</b>	190	329/346
9.0	197	2230	<b>R</b>	<b>77R37</b>	<b>DRN</b>	<b>90S4</b>	135	328/346
10	169	2230	<b>RF</b>	<b>77R37</b>	<b>DRN</b>	<b>90S4</b>	145	329/346
12	149	2230	<b>RM</b>	<b>77R37</b>	<b>DRN</b>	<b>90S4</b>	200	329/346
3.3	520	2230	<b>R</b>	<b>77R37</b>	<b>DRS</b>	<b>71S4</b>	105	328/346
3.8	451	2230	<b>RF</b>	<b>77R37</b>	<b>DRS</b>	<b>71S4</b>	120	329/346
			<b>RM</b>	<b>77R37</b>	<b>DRS</b>	<b>71S4</b>	175	329/346

**T<sub>a max</sub> = 7250 lb-in**

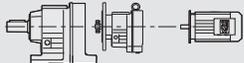
n <sub>a</sub> rpm	i	F <sub>Ra</sub> <sup>1)</sup> lb					m lbs	
4.0	422	2230	R	77R37	DRS	71M4	110	328/346
4.6	365	2230	RF	77R37	DRS	71M4	120	329/346
5.5	310	2230	RM	77R37	DRS	71M4	175	329/346
6.3	276	2230	R	77R37	DRN	80M4	120	328/346
7.4	236	2230	RF	77R37	DRN	80M4	130	329/346
7.9	221	2230	RM	77R37	DRN	80M4	185	329/346
9.4	186	2230	R	77R37	DRN	90S4	130	328/346
			RF	77R37	DRN	90S4	145	329/346
			RM	77R37	DRN	90S4	200	329/346

**T<sub>a max</sub> = 13700 lb-in**

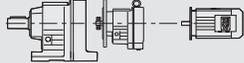
n <sub>a</sub> rpm	i	F <sub>Ra</sub> <sup>1)</sup> lb					m lbs	
0.10	17452	2820						
0.11	15310	2820						
0.12	13813	2820						
0.14	12025	2820						
0.16	10549	2820						
0.18	9244	2820						
0.21	8109	2820	R	87R57	DR	63S4	190	331/346
0.24	7038	3800	RF	87R57	DR	63S4	205	332/346
0.27	6174	3800	RM	87R57	DR	63S4	270	332/346
0.31	5449	3800						
0.35	4831	3800						
0.40	4206	3800						
0.45	3744	3800						
0.52	3233	3800						
0.59	2873	2820						
0.68	2518	2820	R	87R57	DRS	71S4	195	331/346
0.77	2209	2820	RF	87R57	DRS	71S4	210	332/346
0.87	1961	3800	RM	87R57	DRS	71S4	275	332/346
1.7	994	3800						
1.9	881	3800	R	87R57	DRS	71M4	200	331/346
			RF	87R57	DRS	71M4	215	332/346
			RM	87R57	DRS	71M4	280	332/346
0.42	4020	3800	R	87R57	DR	63S4	185	331/346
0.45	3703	3800	RF	87R57	DR	63S4	205	332/346
0.53	3182	3800	RM	87R57	DR	63S4	270	332/346
0.61	2770	3800						
0.66	2595	3800						
0.80	2129	3800						
0.88	1930	3800						
0.98	1733	3800						
1.1	1489	3800	R	87R57	DRS	71S4	190	331/346
1.2	1395	3800	RF	87R57	DRS	71S4	210	332/346
1.4	1232	3800	RM	87R57	DRS	71S4	275	332/346
1.5	1145	3800						
1.6	1037	3800						
1.8	931	3800						
2.1	802	3800	R	87R57	DRS	71M4	195	331/346
2.2	754	3800	RF	87R57	DRS	71M4	210	332/346
2.6	649	3800	RM	87R57	DRS	71M4	275	332/346
2.9	580	3800						
0.98	1737	2820						
1.1	1524	2820						
1.3	1303	2820	R	87R57	DRS	71S4	195	331/346
1.5	1143	2820	RF	87R57	DRS	71S4	210	332/346
1.7	1008	2820	RM	87R57	DRS	71S4	275	332/346
1.9	885	3800						
2.2	776	3800	R	87R57	DRS	71M4	195	331/346
2.5	685	3800	RF	87R57	DRS	71M4	210	332/346
2.8	599	2820	RM	87R57	DRS	71M4	275	332/346

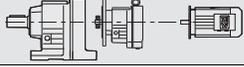
21933480/EN-US - 04/2018

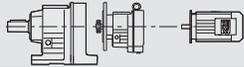
<b>T<sub>a max</sub> = 13700 lb-in</b>								
<b>n<sub>a</sub></b> <b>rpm</b>	<b>i</b>	<b>F<sub>Ra</sub><sup>1)</sup></b> <b>lb</b>					<b>m</b> <b>lbs</b>	
3.3 3.8	525	2820	R	87R57	DRN	80M4	205	331/346
	456	3800	RF	87R57	DRN	80M4	225	332/346
			RM	87R57	DRN	80M4	290	332/346
4.4 5.0 5.8	398	3800	R	87R57	DRN	90S4	220	331/346
	352	3800	RF	87R57	DRN	90S4	235	332/346
	305	3800	RM	87R57	DRN	90S4	300	332/346
6.6 7.5	268	3800	R	87R57	DRN	90L4	230	331/346
	236	3800	RF	87R57	DRN	90L4	245	332/346
			RM	87R57	DRN	90L4	310	332/346
8.4	209	3800	R	87R57	DRN	100LM4	250	331/346
			RF	87R57	DRN	100LM4	270	332/346
			RM	87R57	DRN	100LM4	335	332/346
3.1	538	3800	R	87R57	DRS	71M4	195	331/346
			RF	87R57	DRS	71M4	210	332/346
			RM	87R57	DRS	71M4	275	332/346
3.7	472	3800	R	87R57	DRN	80M4	205	331/346
			RF	87R57	DRN	80M4	220	332/346
			RM	87R57	DRN	80M4	285	332/346
4.4 4.9 5.9	400	3800	R	87R57	DRN	90S4	220	331/346
	361	3800	RF	87R57	DRN	90S4	235	332/346
	300	3800	RM	87R57	DRN	90S4	300	332/346
6.9 7.6	256	3800	R	87R57	DRN	90L4	225	331/346
	232	3800	RF	87R57	DRN	90L4	240	332/346
			RM	87R57	DRN	90L4	305	332/346
9.1	195	3800	R	87R57	DRN	100LM4	250	331/346
			RF	87R57	DRN	100LM4	265	332/346
			RM	87R57	DRN	100LM4	330	332/346

<b>T<sub>a max</sub> = 26500 lb-in</b>								
<b>n<sub>a</sub></b> <b>rpm</b>	<b>i</b>	<b>F<sub>Ra</sub><sup>1)</sup></b> <b>lb</b>					<b>m</b> <b>lbs</b>	
0.08	21769	2930						
0.09	19332	2930						
0.10	17230	2930						
0.11	14999	2930						
0.13	13320	2930	R	97R57	DR	63S4	285	334/346
0.15	11156	2930	RF	97R57	DR	63S4	320	335/346
0.17	10030	2930	RM	97R57	DR	63S4	435	335/346
0.19	8706	2930						
0.22	7692	2930						
0.25	6708	2930						
0.28	5931	4450						
0.33	5161	4450	R	97R57	DRS	71S4	290	334/346
0.37	4559	4450	RF	97R57	DRS	71S4	325	335/346
0.42	4004	2930	RM	97R57	DRS	71S4	440	335/346
0.49	3481	2930						
0.36	4678	4450						
0.39	4309	4450						
0.46	3702	4450						
0.56	3019	4450	R	97R57	DRS	71S4	280	334/346
0.64	2668	4450	RF	97R57	DRS	71S4	320	335/346
0.76	2245	4450	RM	97R57	DRS	71S4	435	335/346
0.84	2016	4450						
0.98	1733	4450						
1.1	1623	4450						
1.2	1434	4450	R	97R57	DRS	71M4	285	334/346
1.4	1207	4450	RF	97R57	DRS	71M4	325	335/346
1.6	1084	4450	RM	97R57	DRS	71M4	435	335/346
1.9	934	4450	R	97R57	DRN	80M4	295	334/346
2.0	878	4450	RF	97R57	DRN	80M4	335	335/346
			RM	97R57	DRN	80M4	445	335/346

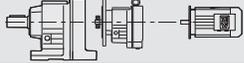
<b>T<sub>a max</sub> = 26500 lb-in</b>									
<b>n<sub>a</sub></b> rpm	<b>i</b>	<b>F<sub>Ra</sub><sup>1)</sup></b> lb					<b>m</b> lbs		
2.3	755	4450	R	97R57	DRN	90S4	310	334/346	
			RF	97R57	DRN	90S4	345	335/346	
			RM	97R57	DRN	90S4	460	335/346	
0.55	3065	2930	R	97R57	DRS	71S4	285	334/346	
0.62	2722	2930		RF	97R57	DRS	71S4	325	335/346
0.74	2311	2930		RM	97R57	DRS	71S4	435	335/346
0.82	2078	2930							
0.93	1823	2930							
1.1	1583	2930	R	97R57	DRS	71M4	290	334/346	
1.2	1396	2930		RF	97R57	DRS	71M4	325	335/346
1.4	1228	2930		RM	97R57	DRS	71M4	440	335/346
1.6	1069	4450							
1.9	938	4450	R	97R57	DRN	80M4	300	334/346	
2.1	824	2930		RF	97R57	DRN	80M4	340	335/346
				RM	97R57	DRN	80M4	450	335/346
2.4	737	2930	R	97R57	DRN	90S4	315	334/346	
2.8	632	4450	RF	97R57	DRN	90S4	350	335/346	
3.1	560	4450	RM	97R57	DRN	90S4	465	335/346	
3.6	484	2930	R	97R57	DRN	90L4	320	334/346	
4.1	431	4450	RF	97R57	DRN	90L4	360	335/346	
			RM	97R57	DRN	90L4	470	335/346	
4.7	379	4450	R	97R57	DRN	100LM4	345	334/346	
5.2	336	4450	RF	97R57	DRN	100LM4	385	335/346	
6.0	296	4450	RM	97R57	DRN	100LM4	495	335/346	
7.1	249	4450	R	97R57	DRN	100L4	345	334/346	
7.5	234	4450	RF	97R57	DRN	100L4	385	335/346	
8.4	209	4450	RM	97R57	DRN	100L4	495	335/346	
2.8	625	4450	R	97R57	DRN	90S4	305	334/346	
3.2	549	4450	RF	97R57	DRN	90S4	345	335/346	
			RM	97R57	DRN	90S4	460	335/346	
3.8	466	4450	R	97R57	DRN	90L4	315	334/346	
4.2	420	4450	RF	97R57	DRN	90L4	350	335/346	
			RM	97R57	DRN	90L4	465	335/346	
4.8	370	4450	R	97R57	DRN	100LM4	340	334/346	
5.0	349	4450	RF	97R57	DRN	100LM4	375	335/346	
5.9	297	4450	RM	97R57	DRN	100LM4	490	335/346	
6.5	270	4450							
7.8	227	4450	R	97R57	DRN	100L4	340	334/346	
			RF	97R57	DRN	100L4	375	335/346	
			RM	97R57	DRN	100L4	490	335/346	

<b>T<sub>a max</sub> = 38000 lb-in</b>								
<b>n<sub>a</sub></b> rpm	<b>i</b>	<b>F<sub>Ra</sub><sup>1)</sup></b> lb					<b>m</b> lbs	
0.08	20018	6620	R	107R77	DR	63S4	445	336/346
0.10	17080	6620						
0.11	14936	6620						
0.13	12829	6620						
0.15	11256	6620						
0.18	9547	6620						
0.20	8618	6620	R	107R77	DRS	71S4	450	336/346
0.22	7583	6620						
0.25	6743	6620						
0.29	5914	6620						
0.33	5168	6620						
0.38	4435	6620						
0.44	3896	6620						
0.50	3432	6620						
0.56	3039	6620						
0.63	2688	6620						
0.13	12829	6620	RF	107R77	DR	63S4	460	337/346
0.15	11256	6620	RM	107R77	DR	63S4	650	337/346
0.18	9547	6620						
0.20	8618	6620	RF	107R77	DRS	71S4	465	337/346
0.22	7583	6620	RM	107R77	DRS	71S4	660	337/346
0.25	6743	6620						
0.29	5914	6620						
0.33	5168	6620						
0.38	4435	6620						
0.44	3896	6620						
0.50	3432	6620						
0.56	3039	6620						
0.63	2688	6620						

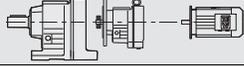
<b>T<sub>a max</sub> = 38000 lb-in</b>								
<b>n<sub>a</sub></b> <b>rpm</b>	<b>i</b>	<b>F<sub>Ra</sub><sup>1)</sup></b> <b>lb</b>					<b>m</b> <b>lbs</b>	
0.75	2339	6620	R	107R77	DRN	80M4	465	336/346
			RF	107R77	DRN	80M4	480	337/346
			RM	107R77	DRN	80M4	670	337/346
0.43	3918	6620	R	107R77	DRS	71S4	435	336/346
0.51	3343	6620	RF	107R77	DRS	71S4	450	337/346
0.56	3034	6620	RM	107R77	DRS	71S4	640	337/346
0.64	2653	6620						
0.74	2280	6620	R	107R77	DRS	71M4	440	336/346
0.82	2067	6620	RF	107R77	DRS	71M4	455	337/346
1.0	1693	6620	RM	107R77	DRS	71M4	650	337/346
1.1	1550	6620	R	107R77	DRN	80M4	450	336/346
1.2	1407	6620	RF	107R77	DRN	80M4	465	337/346
1.4	1209	6620	RM	107R77	DRN	80M4	660	337/346
1.7	1055	6620	R	107R77	DRN	90S4	460	336/346
1.9	919	6620	RF	107R77	DRN	90S4	475	337/346
2.2	815	6620	RM	107R77	DRN	90S4	670	337/346
2.5	717	6620	R	107R77	DRN	90L4	470	336/346
2.8	626	6620	RF	107R77	DRN	90L4	480	337/346
			RM	107R77	DRN	90L4	680	337/346
3.3	528	6620	R	107R77	DRN	100LM4	495	336/346
			RF	107R77	DRN	100LM4	510	337/346
			RM	107R77	DRN	100LM4	700	337/346
0.85	1987	6620	R	107R77	DRS	71M4	450	336/346
0.92	1827	6620	RF	107R77	DRS	71M4	465	337/346
1.1	1599	6620	RM	107R77	DRS	71M4	660	337/346
1.2	1400	6620	R	107R77	DRN	80M4	460	336/346
1.4	1226	6620	RF	107R77	DRN	80M4	475	337/346
			RM	107R77	DRN	80M4	670	337/346
1.6	1104	6620	R	107R77	DRN	90S4	475	336/346
1.9	939	6620	RF	107R77	DRN	90S4	485	337/346
2.1	822	6620	RM	107R77	DRN	90S4	680	337/346
2.9	614	6620	R	107R77	DRN	90L4	480	336/346
			RF	107R77	DRN	90L4	495	337/346
			RM	107R77	DRN	90L4	690	337/346
3.2	544	6620	R	107R77	DRN	100LM4	500	336/346
3.6	492	6620	RF	107R77	DRN	100LM4	520	337/346
4.2	417	6620	RM	107R77	DRN	100LM4	710	337/346
4.8	369	6620	R	107R77	DRN	100L4	500	336/346
5.5	323	6620	RF	107R77	DRN	100L4	520	337/346
6.2	285	6620	RM	107R77	DRN	100L4	710	337/346
7.0	253	6620						
8.2	214	6620	R	107R77	DRN	112M4	530	336/346
			RF	107R77	DRN	112M4	540	337/346
			RM	107R77	DRN	112M4	730	337/346
9.4	187	6620	R	107R77	DRN	132S4	550	336/346
			RF	107R77	DRN	132S4	560	337/346
			RM	107R77	DRN	132S4	760	337/346
3.8	469	6620	R	107R77	DRN	100LM4	490	336/346
4.2	426	6620	RF	107R77	DRN	100LM4	500	337/346
RM	107R77	DRN	100LM4	700	337/346			
4.7	377	6620	R	107R77	DRN	100L4	490	336/346
5.4	325	6620	RF	107R77	DRN	100L4	500	337/346
6.2	284	6620	RM	107R77	DRN	100L4	700	337/346
6.9	256	6620						
8.0	220	6620	R	107R77	DRN	112M4	510	336/346
			RF	107R77	DRN	112M4	520	337/346
			RM	107R77	DRN	112M4	720	337/346
9.1	193	6620	R	107R77	DRN	132S4	540	336/346
			RF	107R77	DRN	132S4	550	337/346
			RM	107R77	DRN	132S4	740	337/346
10	172	6620						

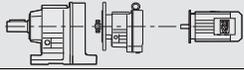
<b>T<sub>a max</sub> = 53000 lb-in</b>								
<b>n<sub>a</sub></b> <b>rpm</b>	<b>i</b>	<b>F<sub>Ra</sub><sup>1)</sup></b> <b>lb</b>					<b>m</b> <b>lbs</b>	
0.08	20936	9660	<b>R</b> <b>RF</b> <b>RM</b>	<b>127R77</b>	<b>DR</b>	<b>63S4</b>	570	338/346
0.09	17863	9660		<b>127R77</b>	<b>DR</b>	<b>63S4</b>	590	339/346
0.11	15620	9660		<b>127R77</b>	<b>DR</b>	<b>63S4</b>	810	339/346
0.12	14123	9660						
0.13	13417	9660						
0.14	11772	9660						
0.17	9985	9660	<b>R</b> <b>RF</b> <b>RM</b>	<b>127R77</b>	<b>DRS</b>	<b>71S4</b>	580	338/346
0.19	9013	9660		<b>127R77</b>	<b>DRS</b>	<b>71S4</b>	600	339/346
0.19	8771	9660		<b>127R77</b>	<b>DRS</b>	<b>71S4</b>	810	339/346
0.21	8282	9660						
0.22	7639	9660						
0.24	7053	9660						
0.25	6722	9660						
0.27	6347	9660						
0.27	6185	9660						
0.30	5592	9660						
0.36	4740	9660						
0.38	4441	9660						
0.43	3949	9660						
0.45	3764	9660						
0.48	3571	9660						
0.54	3110	9660	<b>R</b>	<b>127R77</b>	<b>DRS</b>	<b>71M4</b>	580	338/346
0.60	2812	9660	<b>RF</b>	<b>127R77</b>	<b>DRS</b>	<b>71M4</b>	600	339/346
0.71	2383	9660	<b>RM</b>	<b>127R77</b>	<b>DRS</b>	<b>71M4</b>	810	339/346
0.91	1934	9660	<b>R</b>	<b>127R77</b>	<b>DRN</b>	<b>80M4</b>	590	338/346
0.95	1835	9660	<b>RF</b>	<b>127R77</b>	<b>DRN</b>	<b>80M4</b>	610	339/346
			<b>RM</b>	<b>127R77</b>	<b>DRN</b>	<b>80M4</b>	830	339/346
1.1	1555	9660	<b>R</b>	<b>127R77</b>	<b>DRN</b>	<b>90S4</b>	600	338/346
1.2	1444	9660	<b>RF</b>	<b>127R77</b>	<b>DRN</b>	<b>90S4</b>	620	339/346
1.4	1224	9660	<b>RM</b>	<b>127R77</b>	<b>DRN</b>	<b>90S4</b>	840	339/346
0.49	3495	9660	<b>R</b>	<b>127R77</b>	<b>DRS</b>	<b>71S4</b>	540	338/346
			<b>RF</b>	<b>127R77</b>	<b>DRS</b>	<b>71S4</b>	590	339/346
			<b>RM</b>	<b>127R77</b>	<b>DRS</b>	<b>71S4</b>	800	339/346
0.55	3056	9660	<b>R</b>	<b>127R77</b>	<b>DRS</b>	<b>71M4</b>	540	338/346
0.58	2903	9660	<b>RF</b>	<b>127R77</b>	<b>DRS</b>	<b>71M4</b>	590	339/346
0.66	2547	9660	<b>RM</b>	<b>127R77</b>	<b>DRS</b>	<b>71M4</b>	800	339/346
0.78	2161	9660						
0.90	1951	9660	<b>R</b>	<b>127R77</b>	<b>DRN</b>	<b>80M4</b>	550	338/346
1.0	1716	9660	<b>RF</b>	<b>127R77</b>	<b>DRN</b>	<b>80M4</b>	600	339/346
			<b>RM</b>	<b>127R77</b>	<b>DRN</b>	<b>80M4</b>	810	339/346
1.1	1620	9660	<b>R</b>	<b>127R77</b>	<b>DRN</b>	<b>90S4</b>	560	338/346
1.3	1380	9660	<b>RF</b>	<b>127R77</b>	<b>DRN</b>	<b>90S4</b>	610	339/346
1.5	1210	9660	<b>RM</b>	<b>127R77</b>	<b>DRN</b>	<b>90S4</b>	820	339/346
1.8	961	9660	<b>R</b>	<b>127R77</b>	<b>DRN</b>	<b>90L4</b>	570	338/346
			<b>RF</b>	<b>127R77</b>	<b>DRN</b>	<b>90L4</b>	620	339/346
			<b>RM</b>	<b>127R77</b>	<b>DRN</b>	<b>90L4</b>	830	339/346
2.3	773	9660	<b>R</b>	<b>127R77</b>	<b>DRN</b>	<b>100LM4</b>	600	338/346
2.9	608	9660	<b>RF</b>	<b>127R77</b>	<b>DRN</b>	<b>100LM4</b>	640	339/346
			<b>RM</b>	<b>127R77</b>	<b>DRN</b>	<b>100LM4</b>	850	339/346
0.67	2506	9660	<b>R</b>	<b>127R77</b>	<b>DRS</b>	<b>71M4</b>	580	338/346
0.75	2266	9660	<b>RF</b>	<b>127R77</b>	<b>DRS</b>	<b>71M4</b>	600	339/346
			<b>RM</b>	<b>127R77</b>	<b>DRS</b>	<b>71M4</b>	810	339/346
0.87	2016	9660	<b>R</b>	<b>127R77</b>	<b>DRN</b>	<b>80M4</b>	590	338/346
0.91	1920	9660	<b>RF</b>	<b>127R77</b>	<b>DRN</b>	<b>80M4</b>	610	339/346
0.96	1823	9660	<b>RM</b>	<b>127R77</b>	<b>DRN</b>	<b>80M4</b>	820	339/346
1.1	1673	9660						
1.1	1545	9660	<b>R</b> <b>RF</b> <b>RM</b>	<b>127R77</b>	<b>DRN</b>	<b>90S4</b>	600	338/346
1.2	1512	9660		<b>127R77</b>	<b>DRN</b>	<b>90S4</b>	620	339/346
1.3	1322	9660		<b>127R77</b>	<b>DRN</b>	<b>90S4</b>	830	339/346
1.4	1282	9660						
1.5	1195	9660						
1.5	1164	9660						

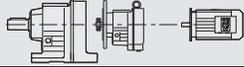
21933480/EN-US - 04/2018

<b>T<sub>a max</sub> = 53000 lb-in</b>								
<b>n<sub>a</sub></b> <b>rpm</b>	<b>i</b>	<b>F<sub>Ra</sub><sup>1)</sup></b> <b>lb</b>					<b>m</b> <b>lbs</b>	
1.7	1034	9660						
1.7	1013	9660	<b>R</b>	<b>127R77</b>	<b>DRN</b>	<b>90L4</b>	600	338/346
1.8	987	9660	<b>RF</b>	<b>127R77</b>	<b>DRN</b>	<b>90L4</b>	630	339/346
1.9	936	9660	<b>RM</b>	<b>127R77</b>	<b>DRN</b>	<b>90L4</b>	840	339/346
1.9	935	9660						
2.1	830	9660						
2.2	794	9660						
2.2	792	9660						
2.3	777	9660						
2.4	750	9660	<b>R</b>	<b>127R77</b>	<b>DRN</b>	<b>100LM4</b>	630	338/346
2.7	659	9660	<b>RF</b>	<b>127R77</b>	<b>DRN</b>	<b>100LM4</b>	650	339/346
2.8	642	9660	<b>RM</b>	<b>127R77</b>	<b>DRN</b>	<b>100LM4</b>	870	339/346
2.8	636	9660						
2.9	614	9660						
3.0	581	9660						
3.4	521	9660						
3.6	492	9660	<b>R</b>	<b>127R77</b>	<b>DRN</b>	<b>100L4</b>	630	338/346
3.7	480	9660	<b>RF</b>	<b>127R77</b>	<b>DRN</b>	<b>100L4</b>	650	339/346
4.3	407	9660	<b>RM</b>	<b>127R77</b>	<b>DRN</b>	<b>100L4</b>	870	339/346
4.6	386	9660						
5.9	298	9660	<b>R</b>	<b>127R77</b>	<b>DRN</b>	<b>112M4</b>	650	338/346
			<b>RF</b>	<b>127R77</b>	<b>DRN</b>	<b>112M4</b>	670	339/346
			<b>RM</b>	<b>127R77</b>	<b>DRN</b>	<b>112M4</b>	890	339/346
7.0	253	9660	<b>R</b>	<b>127R77</b>	<b>DRN</b>	<b>132S4</b>	670	338/346
			<b>RF</b>	<b>127R77</b>	<b>DRN</b>	<b>132S4</b>	700	339/346
			<b>RM</b>	<b>127R77</b>	<b>DRN</b>	<b>132S4</b>	910	339/346
3.6	490	9660	<b>R</b>	<b>127R77</b>	<b>DRN</b>	<b>100L4</b>	590	338/346
4.5	394	9660	<b>RF</b>	<b>127R77</b>	<b>DRN</b>	<b>100L4</b>	640	339/346
5.4	327	9660	<b>RM</b>	<b>127R77</b>	<b>DRN</b>	<b>100L4</b>	850	339/346
6.8	259	9660	<b>R</b>	<b>127R77</b>	<b>DRN</b>	<b>132S4</b>	640	338/346
			<b>RF</b>	<b>127R77</b>	<b>DRN</b>	<b>132S4</b>	690	339/346
			<b>RM</b>	<b>127R77</b>	<b>DRN</b>	<b>132S4</b>	900	339/346
8.8	202	9660	<b>R</b>	<b>127R77</b>	<b>DRN</b>	<b>132M4</b>	680	338/346
11	162	9660	<b>RF</b>	<b>127R77</b>	<b>DRN</b>	<b>132M4</b>	720	339/346
			<b>RM</b>	<b>127R77</b>	<b>DRN</b>	<b>132M4</b>	940	339/346
14	126	9660	<b>R</b>	<b>127R77</b>	<b>DRN</b>	<b>160M4</b>	770	338/346
			<b>RF</b>	<b>127R77</b>	<b>DRN</b>	<b>160M4</b>	810	339/346
			<b>RM</b>	<b>127R77</b>	<b>DRN</b>	<b>160M4</b>	1020	339/346

<b>T<sub>a max</sub> = 70700 lb-in</b>								
<b>n<sub>a</sub></b> <b>rpm</b>	<b>i</b>	<b>F<sub>Ra</sub><sup>1)</sup></b> <b>lb</b>					<b>m</b> <b>lbs</b>	
0.08	22203	12000	<b>R</b>	<b>137R77</b>	<b>DR</b>	<b>63S4</b>	640	340/346
0.09	18945	12000	<b>RF</b>	<b>137R77</b>	<b>DR</b>	<b>63S4</b>	690	341/346
0.10	16566	12000	<b>RM</b>	<b>137R77</b>	<b>DR</b>	<b>63S4</b>	930	341/346
0.12	14777	12000						
0.13	12921	12000						
0.15	11712	12000						
0.16	10573	12000	<b>R</b>	<b>137R77</b>	<b>DRS</b>	<b>71S4</b>	640	340/346
0.19	8784	12000	<b>RF</b>	<b>137R77</b>	<b>DRS</b>	<b>71S4</b>	690	341/346
0.23	7479	12000	<b>RM</b>	<b>137R77</b>	<b>DRS</b>	<b>71S4</b>	940	341/346
0.26	6559	12000						
0.29	5834	12000						
0.33	5116	12000						
0.38	4464	12000	<b>R</b>	<b>137R77</b>	<b>DRS</b>	<b>71M4</b>	640	340/346
0.43	3928	12000	<b>RF</b>	<b>137R77</b>	<b>DRS</b>	<b>71M4</b>	700	341/346
0.49	3454	12000	<b>RM</b>	<b>137R77</b>	<b>DRS</b>	<b>71M4</b>	940	341/346
0.59	2993	12000	<b>R</b>	<b>137R77</b>	<b>DRN</b>	<b>80M4</b>	650	340/346
			<b>RF</b>	<b>137R77</b>	<b>DRN</b>	<b>80M4</b>	710	341/346
			<b>RM</b>	<b>137R77</b>	<b>DRN</b>	<b>80M4</b>	950	341/346
0.36	4709	12000	<b>R</b>	<b>137R77</b>	<b>DRS</b>	<b>71S4</b>	620	340/346
			<b>RF</b>	<b>137R77</b>	<b>DRS</b>	<b>71S4</b>	670	341/346
			<b>RM</b>	<b>137R77</b>	<b>DRS</b>	<b>71S4</b>	920	341/346

<b>T<sub>a max</sub> = 70700 lb-in</b>								
<b>n<sub>a</sub></b> <b>rpm</b>	<b>i</b>	<b>F<sub>Ra</sub><sup>1)</sup></b> <b>lb</b>					<b>m</b> <b>lbs</b>	
<b>0.42</b>	4018	12000	<b>R</b>	<b>137R77</b>	<b>DRS</b>	<b>71M4</b>	620	340/346
<b>0.48</b>	3514	12000	<b>RF</b>	<b>137R77</b>	<b>DRS</b>	<b>71M4</b>	670	341/346
<b>0.51</b>	3338	12000	<b>RM</b>	<b>137R77</b>	<b>DRS</b>	<b>71M4</b>	920	341/346
<b>0.58</b>	2929	12000						
<b>0.70</b>	2484	12000	<b>R</b>	<b>137R77</b>	<b>DRN</b>	<b>80M4</b>	630	340/346
<b>0.78</b>	2242	12000	<b>RF</b>	<b>137R77</b>	<b>DRN</b>	<b>80M4</b>	680	341/346
			<b>RM</b>	<b>137R77</b>	<b>DRN</b>	<b>80M4</b>	930	341/346
<b>0.95</b>	1863	12000	<b>R</b>	<b>137R77</b>	<b>DRN</b>	<b>90S4</b>	640	340/346
<b>1.1</b>	1586	12000	<b>RF</b>	<b>137R77</b>	<b>DRN</b>	<b>90S4</b>	700	341/346
			<b>RM</b>	<b>137R77</b>	<b>DRN</b>	<b>90S4</b>	940	341/346
<b>1.3</b>	1391	12000	<b>R</b>	<b>137R77</b>	<b>DRN</b>	<b>90L4</b>	650	340/346
<b>1.4</b>	1256	12000	<b>RF</b>	<b>137R77</b>	<b>DRN</b>	<b>90L4</b>	700	341/346
<b>1.6</b>	1105	12000	<b>RM</b>	<b>137R77</b>	<b>DRN</b>	<b>90L4</b>	950	341/346
<b>1.7</b>	1043	12000	<b>R</b>	<b>137R77</b>	<b>DRN</b>	<b>100LM4</b>	680	340/346
<b>2.0</b>	888	12000	<b>RF</b>	<b>137R77</b>	<b>DRN</b>	<b>100LM4</b>	730	341/346
			<b>RM</b>	<b>137R77</b>	<b>DRN</b>	<b>100LM4</b>	970	341/346
<b>2.5</b>	699	12000	<b>R</b>	<b>137R77</b>	<b>DRN</b>	<b>100L4</b>	680	340/346
<b>2.9</b>	609	12000	<b>RF</b>	<b>137R77</b>	<b>DRN</b>	<b>100L4</b>	730	341/346
			<b>RM</b>	<b>137R77</b>	<b>DRN</b>	<b>100L4</b>	970	341/346
<b>0.66</b>	2658	12000	<b>R</b>	<b>137R77</b>	<b>DRN</b>	<b>80M4</b>	650	340/346
<b>0.73</b>	2412	12000	<b>RF</b>	<b>137R77</b>	<b>DRN</b>	<b>80M4</b>	700	341/346
			<b>RM</b>	<b>137R77</b>	<b>DRN</b>	<b>80M4</b>	950	341/346
<b>0.85</b>	2073	12000	<b>R</b>	<b>137R77</b>	<b>DRN</b>	<b>90S4</b>	660	340/346
<b>0.96</b>	1839	12000	<b>RF</b>	<b>137R77</b>	<b>DRN</b>	<b>90S4</b>	710	341/346
<b>1.1</b>	1598	12000	<b>RM</b>	<b>137R77</b>	<b>DRN</b>	<b>90S4</b>	960	341/346
<b>1.3</b>	1397	12000	<b>R</b>	<b>137R77</b>	<b>DRN</b>	<b>90L4</b>	670	340/346
<b>1.4</b>	1226	12000	<b>RF</b>	<b>137R77</b>	<b>DRN</b>	<b>90L4</b>	720	341/346
<b>1.6</b>	1090	12000	<b>RM</b>	<b>137R77</b>	<b>DRN</b>	<b>90L4</b>	970	341/346
<b>1.9</b>	951	12000	<b>R</b>	<b>137R77</b>	<b>DRN</b>	<b>100LM4</b>	700	340/346
<b>2.1</b>	831	12000	<b>RF</b>	<b>137R77</b>	<b>DRN</b>	<b>100LM4</b>	750	341/346
<b>2.4</b>	730	12000	<b>RM</b>	<b>137R77</b>	<b>DRN</b>	<b>100LM4</b>	990	341/346
<b>2.8</b>	629	12000	<b>R</b>	<b>137R77</b>	<b>DRN</b>	<b>100L4</b>	700	340/346
<b>3.1</b>	560	12000	<b>RF</b>	<b>137R77</b>	<b>DRN</b>	<b>100L4</b>	750	341/346
<b>3.6</b>	490	12000	<b>RM</b>	<b>137R77</b>	<b>DRN</b>	<b>100L4</b>	990	341/346
<b>4.1</b>	428	12000						
<b>4.6</b>	381	12000	<b>R</b>	<b>137R77</b>	<b>DRN</b>	<b>132S4</b>	740	340/346
<b>5.5</b>	323	12000	<b>RF</b>	<b>137R77</b>	<b>DRN</b>	<b>132S4</b>	790	341/346
<b>6.1</b>	291	12000	<b>RM</b>	<b>137R77</b>	<b>DRN</b>	<b>132S4</b>	1040	341/346
<b>7.0</b>	255	12000	<b>R</b>	<b>137R77</b>	<b>DRN</b>	<b>132M4</b>	780	340/346
<b>7.9</b>	223	12000	<b>RF</b>	<b>137R77</b>	<b>DRN</b>	<b>132M4</b>	830	341/346
			<b>RM</b>	<b>137R77</b>	<b>DRN</b>	<b>132M4</b>	1080	341/346
<b>9.0</b>	197	12000	<b>R</b>	<b>137R77</b>	<b>DRN</b>	<b>132L4</b>	800	340/346
<b>10</b>	175	12000	<b>RF</b>	<b>137R77</b>	<b>DRN</b>	<b>132L4</b>	850	341/346
			<b>RM</b>	<b>137R77</b>	<b>DRN</b>	<b>132L4</b>	1100	341/346
<b>3.1</b>	564	12000	<b>R</b>	<b>137R77</b>	<b>DRN</b>	<b>100L4</b>	670	340/346
<b>3.4</b>	517	12000	<b>RF</b>	<b>137R77</b>	<b>DRN</b>	<b>100L4</b>	720	341/346
<b>3.9</b>	453	12000	<b>RM</b>	<b>137R77</b>	<b>DRN</b>	<b>100L4</b>	970	341/346
<b>4.7</b>	376	12000	<b>R</b>	<b>137R77</b>	<b>DRN</b>	<b>132S4</b>	720	340/346
<b>5.2</b>	339	12000	<b>RF</b>	<b>137R77</b>	<b>DRN</b>	<b>132S4</b>	770	341/346
<b>6.0</b>	297	12000	<b>RM</b>	<b>137R77</b>	<b>DRN</b>	<b>132S4</b>	1010	341/346

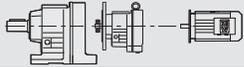
<b>T<sub>a max</sub> = 115000 lb-in</b>							<b>m</b>	
<b>n<sub>a</sub></b> rpm	<b>i</b>	<b>F<sub>Ra</sub><sup>(1)</sup></b> lb				<b>lbs</b>		
0.07	23401	14100						
0.08	21342	14100						
0.09	18210	14100						
0.11	15923	14100	<b>R</b>	<b>147R77</b>	<b>DRS</b>	<b>71S4</b>	930 342/346	
0.12	14075	14100	<b>RF</b>	<b>147R77</b>	<b>DRS</b>	<b>71S4</b>	950 343/346	
0.14	12344	14100	<b>RM</b>	<b>147R77</b>	<b>DRS</b>	<b>71S4</b>	1320 343/346	
0.15	11143	14100						
0.17	9743	14100						
0.20	8443	14100						
0.23	7307	14100	<b>R</b>	<b>147R77</b>	<b>DRS</b>	<b>71M4</b>	940 342/346	
0.26	6447	14100	<b>RF</b>	<b>147R77</b>	<b>DRS</b>	<b>71M4</b>	950 343/346	
0.30	5568	14100	<b>RM</b>	<b>147R77</b>	<b>DRS</b>	<b>71M4</b>	1320 343/346	
0.34	4926	14100						
0.40	4325	14100	<b>R</b>	<b>147R77</b>	<b>DRN</b>	<b>80M4</b>	950 342/346	
0.47	3754	14100	<b>RF</b>	<b>147R77</b>	<b>DRN</b>	<b>80M4</b>	960 343/346	
			<b>RM</b>	<b>147R77</b>	<b>DRN</b>	<b>80M4</b>	1330 343/346	
0.53	3302	14100	<b>R</b>	<b>147R77</b>	<b>DRN</b>	<b>90S4</b>	960 342/346	
0.61	2898	14100	<b>RF</b>	<b>147R77</b>	<b>DRN</b>	<b>90S4</b>	970 343/346	
			<b>RM</b>	<b>147R77</b>	<b>DRN</b>	<b>90S4</b>	1340 343/346	
0.69	2555	14100	<b>R</b>	<b>147R77</b>	<b>DRN</b>	<b>90S4</b>	950 342/346	
			<b>RF</b>	<b>147R77</b>	<b>DRN</b>	<b>90S4</b>	970 343/346	
			<b>RM</b>	<b>147R77</b>	<b>DRN</b>	<b>90S4</b>	1340 343/346	
0.80	2211	14100	<b>R</b>	<b>147R77</b>	<b>DRN</b>	<b>90L4</b>	960 342/346	
0.91	1951	14100	<b>RF</b>	<b>147R77</b>	<b>DRN</b>	<b>90L4</b>	980 343/346	
			<b>RM</b>	<b>147R77</b>	<b>DRN</b>	<b>90L4</b>	1350 343/346	
1.0	1705	14100	<b>R</b>	<b>147R77</b>	<b>DRN</b>	<b>100LM4</b>	990 342/346	
1.1	1536	14100	<b>RF</b>	<b>147R77</b>	<b>DRN</b>	<b>100LM4</b>	1000 343/346	
1.3	1329	14100	<b>RM</b>	<b>147R77</b>	<b>DRN</b>	<b>100LM4</b>	1370 343/346	
1.5	1166	14100						
1.7	1029	14100	<b>R</b>	<b>147R77</b>	<b>DRN</b>	<b>100L4</b>	990 342/346	
2.0	889	14100	<b>RF</b>	<b>147R77</b>	<b>DRN</b>	<b>100L4</b>	1000 343/346	
2.2	784	14100	<b>RM</b>	<b>147R77</b>	<b>DRN</b>	<b>100L4</b>	1370 343/346	
2.5	695	14100						
2.9	619	14100	<b>R</b>	<b>147R77</b>	<b>DRN</b>	<b>132S4</b>	1030 342/346	
3.2	558	14100	<b>RF</b>	<b>147R77</b>	<b>DRN</b>	<b>132S4</b>	1050 343/346	
3.6	489	14100	<b>RM</b>	<b>147R77</b>	<b>DRN</b>	<b>132S4</b>	1420 343/346	
4.3	415	14100	<b>R</b>	<b>147R77</b>	<b>DRN</b>	<b>132M4</b>	1070 342/346	
			<b>RF</b>	<b>147R77</b>	<b>DRN</b>	<b>132M4</b>	1090 343/346	
			<b>RM</b>	<b>147R77</b>	<b>DRN</b>	<b>132M4</b>	1460 343/346	
3.3	533	14100	<b>R</b>	<b>147R87</b>	<b>DRN</b>	<b>132S4</b>	1080 342/346	
			<b>RF</b>	<b>147R87</b>	<b>DRN</b>	<b>132S4</b>	1100 343/346	
			<b>RM</b>	<b>147R87</b>	<b>DRN</b>	<b>132S4</b>	1460 343/346	
3.8	462	14100	<b>R</b>	<b>147R87</b>	<b>DRN</b>	<b>132M4</b>	1120 342/346	
4.2	426	14100	<b>RF</b>	<b>147R87</b>	<b>DRN</b>	<b>132M4</b>	1130 343/346	
4.8	368	14100	<b>RM</b>	<b>147R87</b>	<b>DRN</b>	<b>132M4</b>	1500 343/346	
5.5	326	14100	<b>R</b>	<b>147R87</b>	<b>DRN</b>	<b>132L4</b>	1130 342/346	
			<b>RF</b>	<b>147R87</b>	<b>DRN</b>	<b>132L4</b>	1150 343/346	
			<b>RM</b>	<b>147R87</b>	<b>DRN</b>	<b>132L4</b>	1520 343/346	
6.3	280	14100	<b>R</b>	<b>147R87</b>	<b>DRN</b>	<b>160M4</b>	1210 342/346	
7.2	247	14100	<b>RF</b>	<b>147R87</b>	<b>DRN</b>	<b>160M4</b>	1220 343/346	
			<b>RM</b>	<b>147R87</b>	<b>DRN</b>	<b>160M4</b>	1590 343/346	
8.3	214	14100	<b>R</b>	<b>147R87</b>	<b>DRN</b>	<b>160L4</b>	1240 342/346	
9.4	189	14100	<b>RF</b>	<b>147R87</b>	<b>DRN</b>	<b>160L4</b>	1260 343/346	
			<b>RM</b>	<b>147R87</b>	<b>DRN</b>	<b>160L4</b>	1630 343/346	
11	159	14100	<b>R</b>	<b>147R87</b>	<b>DRN</b>	<b>180M4</b>	1290 342/346	
			<b>RF</b>	<b>147R87</b>	<b>DRN</b>	<b>180M4</b>	1310 343/346	
			<b>RM</b>	<b>147R87</b>	<b>DRN</b>	<b>180M4</b>	1680 343/346	

<b>T<sub>a max</sub> = 159200 lb-in</b>								
<b>n<sub>a</sub></b> <b>rpm</b>	<b>i</b>	<b>F<sub>Ra</sub><sup>1)</sup></b> <b>lb</b>					<b>m</b> <b>lbs</b>	
0.06	27001	27000						
0.08	22482	27000						
0.08	20002	27000						
0.10	17361	27000	<b>R</b>	<b>167R97</b>	<b>DRS</b>	<b>71M4</b>	1660	344/346
0.11	15446	27000	<b>RF</b>	<b>167R97</b>	<b>DRS</b>	<b>71M4</b>	1680	345/346
0.12	14051	27000	<b>RM</b>	<b>167R97</b>	<b>DRS</b>	<b>71M4</b>	2110	345/346
0.14	11812	27000						
0.16	10509	27000						
0.18	9631	27000						
0.23	7749	27000	<b>R</b>	<b>167R97</b>	<b>DRN</b>	<b>80M4</b>	1670	344/346
0.25	6894	27000	<b>RF</b>	<b>167R97</b>	<b>DRN</b>	<b>80M4</b>	1690	345/346
0.29	6077	27000	<b>RM</b>	<b>167R97</b>	<b>DRN</b>	<b>80M4</b>	2120	345/346
0.32	5407	27000						
0.38	4650	27000	<b>R</b>	<b>167R97</b>	<b>DRN</b>	<b>90S4</b>	1680	344/346
0.43	4129	27000	<b>RF</b>	<b>167R97</b>	<b>DRN</b>	<b>90S4</b>	1700	345/346
0.48	3692	27000	<b>RM</b>	<b>167R97</b>	<b>DRN</b>	<b>90S4</b>	2130	345/346
0.57	3099	27000	<b>R</b>	<b>167R97</b>	<b>DRN</b>	<b>100LM4</b>	1720	344/346
			<b>RF</b>	<b>167R97</b>	<b>DRN</b>	<b>100LM4</b>	1730	345/346
			<b>RM</b>	<b>167R97</b>	<b>DRN</b>	<b>100LM4</b>	2160	345/346
0.67	2657	27000	<b>R</b>	<b>167R97</b>	<b>DRN</b>	<b>90L4</b>	1690	344/346
			<b>RF</b>	<b>167R97</b>	<b>DRN</b>	<b>90L4</b>	1700	345/346
			<b>RM</b>	<b>167R97</b>	<b>DRN</b>	<b>90L4</b>	2130	345/346
0.76	2333	27000	<b>R</b>	<b>167R97</b>	<b>DRN</b>	<b>100LM4</b>	1710	344/346
0.85	2085	27000	<b>RF</b>	<b>167R97</b>	<b>DRN</b>	<b>100LM4</b>	1720	345/346
0.94	1877	27000	<b>RM</b>	<b>167R97</b>	<b>DRN</b>	<b>100LM4</b>	2160	345/346
1.1	1670	27000						
1.2	1438	27000	<b>R</b>	<b>167R97</b>	<b>DRN</b>	<b>100L4</b>	1710	344/346
1.4	1279	27000	<b>RF</b>	<b>167R97</b>	<b>DRN</b>	<b>100L4</b>	1720	345/346
1.6	1123	27000	<b>RM</b>	<b>167R97</b>	<b>DRN</b>	<b>100L4</b>	2160	345/346
1.8	999	27000						
2.0	861	27000	<b>R</b>	<b>167R97</b>	<b>DRN</b>	<b>132S4</b>	1750	344/346
2.3	760	27000	<b>RF</b>	<b>167R97</b>	<b>DRN</b>	<b>132S4</b>	1770	345/346
2.7	656	27000	<b>RM</b>	<b>167R97</b>	<b>DRN</b>	<b>132S4</b>	2200	345/346
3.1	579	27000	<b>R</b>	<b>167R97</b>	<b>DRN</b>	<b>132M4</b>	1790	344/346
3.5	503	27000	<b>RF</b>	<b>167R97</b>	<b>DRN</b>	<b>132M4</b>	1810	345/346
			<b>RM</b>	<b>167R97</b>	<b>DRN</b>	<b>132M4</b>	2240	345/346
4.1	432	27000	<b>R</b>	<b>167R97</b>	<b>DRN</b>	<b>132L4</b>	1810	344/346
			<b>RF</b>	<b>167R97</b>	<b>DRN</b>	<b>132L4</b>	1830	345/346
			<b>RM</b>	<b>167R97</b>	<b>DRN</b>	<b>132L4</b>	2260	345/346
4.7	376	27000	<b>R</b>	<b>167R97</b>	<b>DRN</b>	<b>160M4</b>	1880	344/346
5.3	335	27000	<b>RF</b>	<b>167R97</b>	<b>DRN</b>	<b>160M4</b>	1900	345/346
			<b>RM</b>	<b>167R97</b>	<b>DRN</b>	<b>160M4</b>	2330	345/346
5.9	303	27000	<b>R</b>	<b>167R97</b>	<b>DRN</b>	<b>160L4</b>	1920	344/346
6.4	279	27000	<b>RF</b>	<b>167R97</b>	<b>DRN</b>	<b>160L4</b>	1930	345/346
			<b>RM</b>	<b>167R97</b>	<b>DRN</b>	<b>160L4</b>	2360	345/346
0.49	3637	27000						
0.53	3330	27000						
0.64	2757	27000	<b>R</b>	<b>167R107</b>	<b>DRN</b>	<b>100LM4</b>	1820	344/346
0.72	2436	27000	<b>RF</b>	<b>167R107</b>	<b>DRN</b>	<b>100LM4</b>	1830	345/346
0.77	2298	27000	<b>RM</b>	<b>167R107</b>	<b>DRN</b>	<b>100LM4</b>	2260	345/346
0.85	2066	27000						
0.95	1849	27000						
1.1	1674	27000						
1.2	1485	27000	<b>R</b>	<b>167R107</b>	<b>DRN</b>	<b>100L4</b>	1820	344/346
1.3	1342	27000	<b>RF</b>	<b>167R107</b>	<b>DRN</b>	<b>100L4</b>	1830	345/346
1.4	1229	27000	<b>RM</b>	<b>167R107</b>	<b>DRN</b>	<b>100L4</b>	2260	345/346
1.6	1111	27000						
1.9	950	27000	<b>R</b>	<b>167R107</b>	<b>DRN</b>	<b>112M4</b>	1830	344/346
			<b>RF</b>	<b>167R107</b>	<b>DRN</b>	<b>112M4</b>	1850	345/346
			<b>RM</b>	<b>167R107</b>	<b>DRN</b>	<b>112M4</b>	2280	345/346
2.1	860	27000	<b>R</b>	<b>167R107</b>	<b>DRN</b>	<b>132S4</b>	1860	344/346
2.3	763	27000	<b>RF</b>	<b>167R107</b>	<b>DRN</b>	<b>132S4</b>	1870	345/346
2.6	690	27000	<b>RM</b>	<b>167R107</b>	<b>DRN</b>	<b>132S4</b>	2300	345/346

# 8

## Helical gearmotors

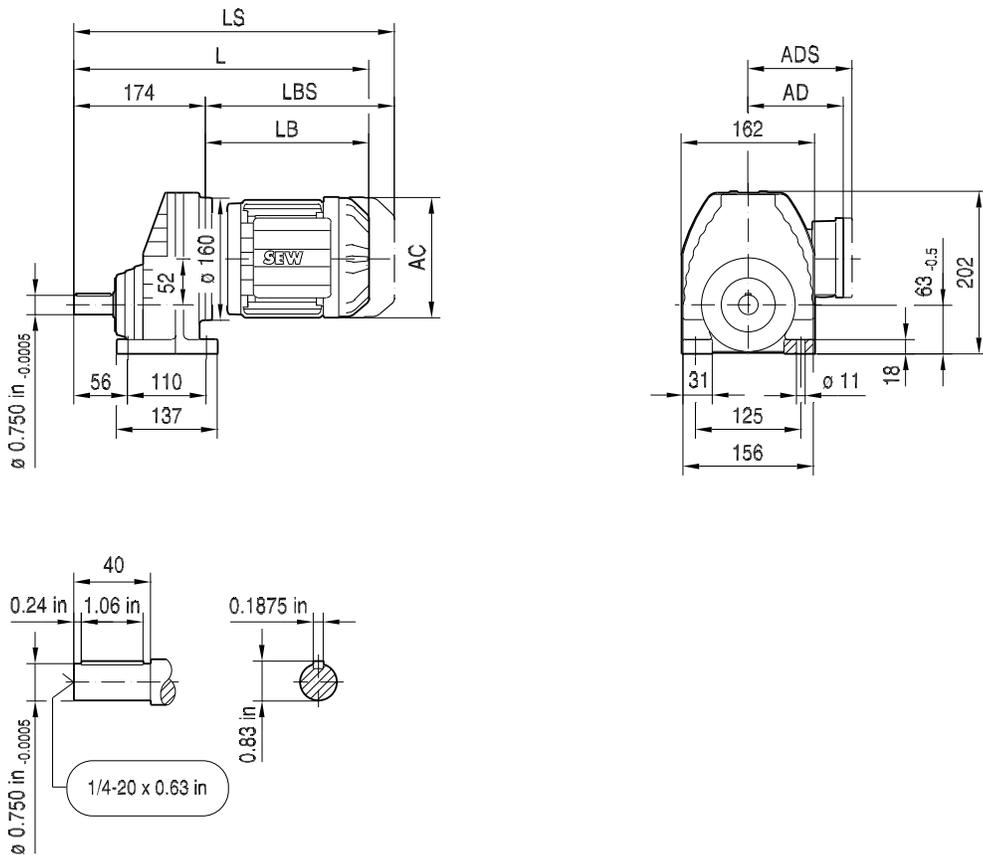
R.. R.. DRS/DRN.. Selections by torque / low output speed

<b>T<sub>a max</sub> = 159200 lb-in</b>								
<b>n<sub>a</sub></b> <b>rpm</b>	<b>i</b>	<b>F<sub>Ra</sub><sup>1)</sup></b> <b>lb</b>					<b>m</b> <b>lbs</b>	
<b>3.0</b> <b>3.5</b>	585	27000	<b>R</b>	<b>167R107</b>	<b>DRN</b>	<b>132M4</b>	1900	344/346
	511	27000	<b>RF</b>	<b>167R107</b>	<b>DRN</b>	<b>132M4</b>	1910	345/346
			<b>RM</b>	<b>167R107</b>	<b>DRN</b>	<b>132M4</b>	2340	345/346
<b>5.1</b>	349	27000	<b>R</b>	<b>167R107</b>	<b>DRN</b>	<b>160M4</b>	1990	344/346
			<b>RF</b>	<b>167R107</b>	<b>DRN</b>	<b>160M4</b>	2000	345/346
			<b>RM</b>	<b>167R107</b>	<b>DRN</b>	<b>160M4</b>	2430	345/346
<b>6.0</b> <b>6.6</b>	295	27000	<b>R</b>	<b>167R107</b>	<b>DRN</b>	<b>160L4</b>	2020	344/346
	270	27000	<b>RF</b>	<b>167R107</b>	<b>DRN</b>	<b>160L4</b>	2040	345/346
			<b>RM</b>	<b>167R107</b>	<b>DRN</b>	<b>160L4</b>	2470	345/346
<b>7.8</b> <b>8.9</b>	229	27000	<b>R</b>	<b>167R107</b>	<b>DRN</b>	<b>180M4</b>	2070	344/346
	200	27000	<b>RF</b>	<b>167R107</b>	<b>DRN</b>	<b>180M4</b>	2080	345/346
			<b>RM</b>	<b>167R107</b>	<b>DRN</b>	<b>180M4</b>	2520	345/346
<b>11</b>	169	27000	<b>R</b>	<b>167R107</b>	<b>DRN</b>	<b>180L4</b>	2110	344/346
			<b>RF</b>	<b>167R107</b>	<b>DRN</b>	<b>180L4</b>	2120	345/346
			<b>RM</b>	<b>167R107</b>	<b>DRN</b>	<b>180L4</b>	2550	345/346
<b>4.0</b> <b>4.5</b>	446	27000	<b>R</b>	<b>167R107</b>	<b>DRN</b>	<b>132L4</b>	1900	344/346
	399	27000	<b>RF</b>	<b>167R107</b>	<b>DRN</b>	<b>132L4</b>	1920	345/346
			<b>RM</b>	<b>167R107</b>	<b>DRN</b>	<b>132L4</b>	2350	345/346
<b>4.9</b> <b>5.4</b>	361	27000	<b>R</b>	<b>167R107</b>	<b>DRN</b>	<b>160M4</b>	1980	344/346
	328	27000	<b>RF</b>	<b>167R107</b>	<b>DRN</b>	<b>160M4</b>	1990	345/346
			<b>RM</b>	<b>167R107</b>	<b>DRN</b>	<b>160M4</b>	2420	345/346
<b>6.1</b> <b>6.7</b>	291	27000	<b>R</b>	<b>167R107</b>	<b>DRN</b>	<b>160L4</b>	2010	344/346
	264	27000	<b>RF</b>	<b>167R107</b>	<b>DRN</b>	<b>160L4</b>	2020	345/346
			<b>RM</b>	<b>167R107</b>	<b>DRN</b>	<b>160L4</b>	2460	345/346
<b>7.9</b> <b>9.0</b>	227	27000	<b>R</b>	<b>167R107</b>	<b>DRN</b>	<b>180M4</b>	2060	344/346
	198	27000	<b>RF</b>	<b>167R107</b>	<b>DRN</b>	<b>180M4</b>	2070	345/346
			<b>RM</b>	<b>167R107</b>	<b>DRN</b>	<b>180M4</b>	2500	345/346
<b>11</b>	168	27000	<b>R</b>	<b>167R107</b>	<b>DRN</b>	<b>180L4</b>	2090	344/346
			<b>RF</b>	<b>167R107</b>	<b>DRN</b>	<b>180L4</b>	2110	345/346
			<b>RM</b>	<b>167R107</b>	<b>DRN</b>	<b>180L4</b>	2540	345/346

8.5 R.. DRS/DRN.. Dimensions

01 229 00 16

**RX57..**



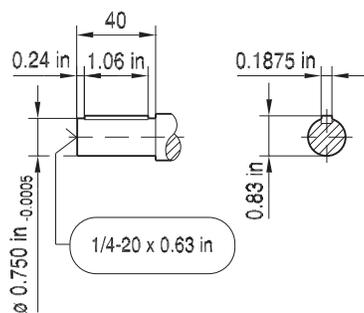
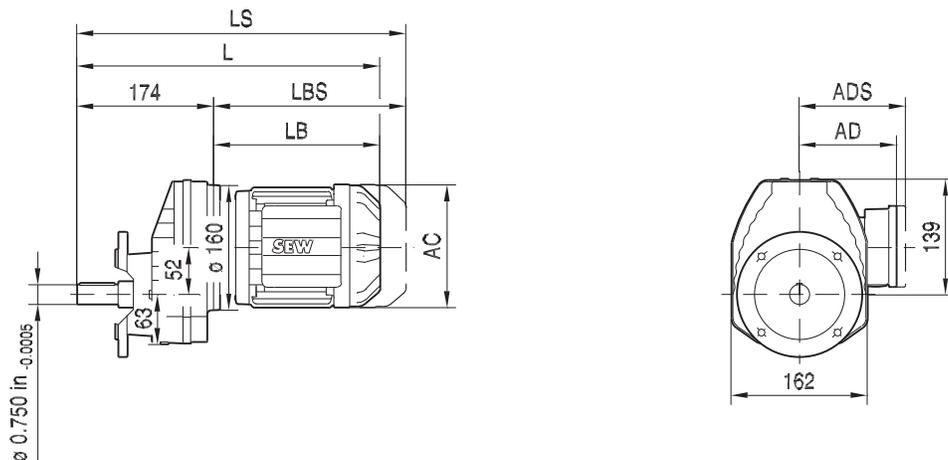
8

21933480/EN-US - 04/2018

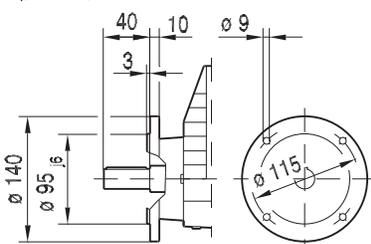
(→ 163)	DR63	DRS71S	DRS71M	DRN80M	DRN90S	DRN90L	DRN100L/LM	DRN112M	DRN132S	DRN132M
AC	132	139	139	156	179	179	197	221	221	261
AD	105	119	119	128	140	140	157	170	170	228
ADS	105	129	129	139	150	150	158	172	172	228
L	359	370	395	449	451	483	529	560	614	632
LS	414	438	463	530	544	576	623	672	726	770
LB	185	196	221	275	277	309	355	386	440	458
LBS	240	264	289	356	370	402	449	498	552	596

Dimensions in mm unless noted as inch. For all available output shaft diameters, see page 348. For tolerances, see page 163.

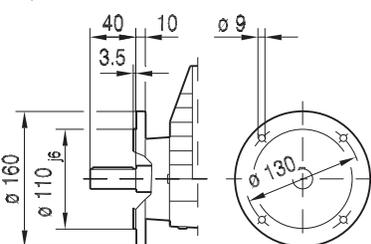
### RXF57..



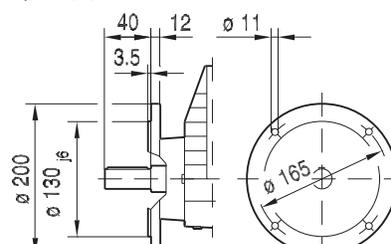
#### Ø 140



#### Ø 160



#### Ø 200

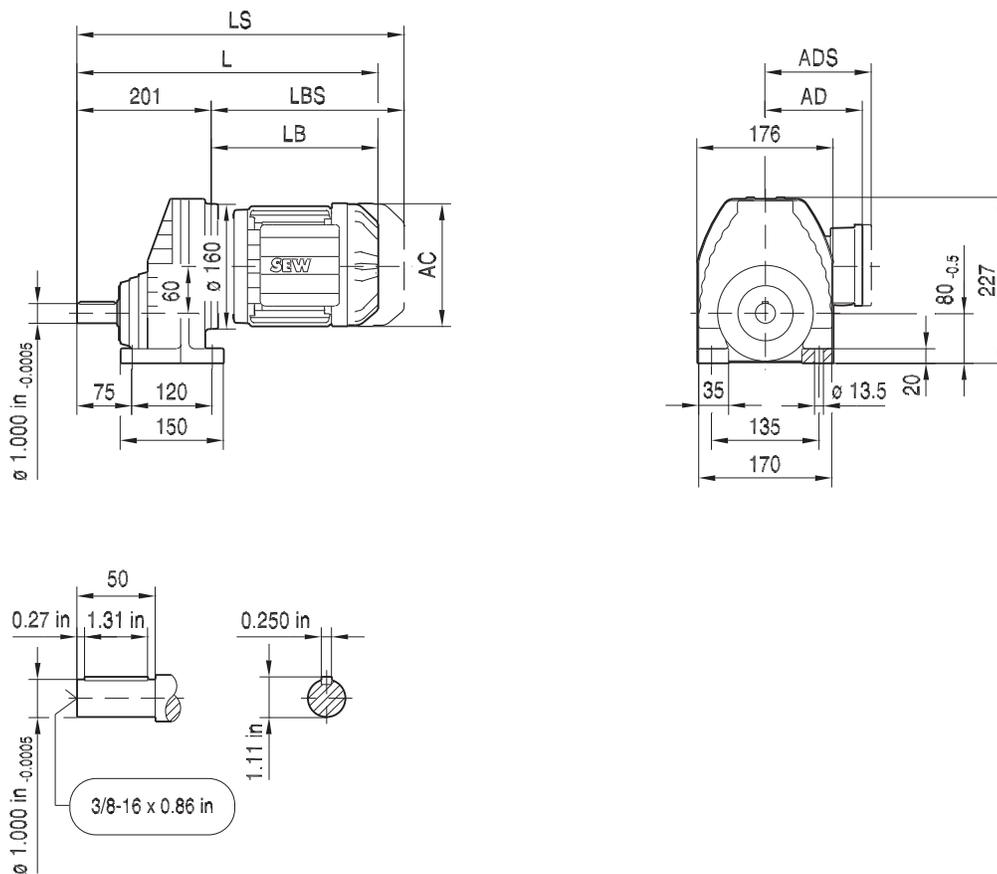


(→ 163)	DR63	DRS71S	DRS71M	DRN80M	DRN90S	DRN90L	DRN100L/LM	DRN112M	DRN132S	DRN132M
AC	132	139	139	156	179	179	197	221	221	261
AD	105	119	119	128	140	140	157	170	170	228
ADS	105	129	129	139	150	150	158	172	172	228
L	359	370	395	449	451	483	529	560	614	632
LS	414	438	463	530	544	576	623	672	726	770
LB	185	196	221	275	277	309	355	386	440	458
LBS	240	264	289	356	370	402	449	498	552	596

Dimensions in mm unless noted as inch. For all available output shaft diameters, see page 348. For tolerances, see page 163.

01 231 00 16

**RX67..**



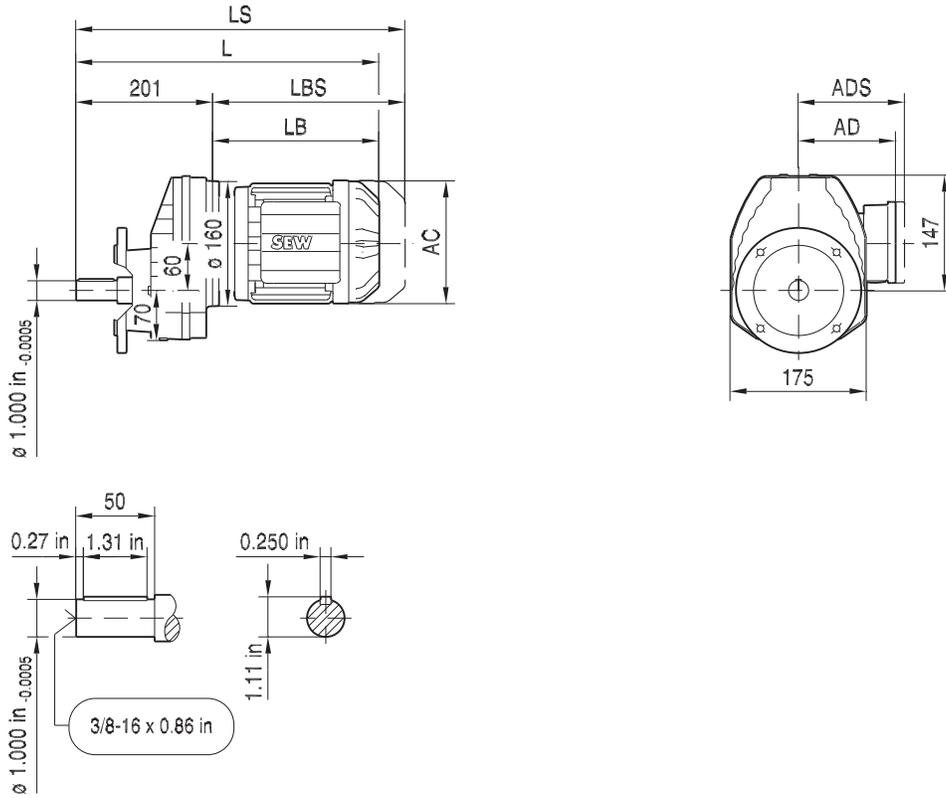
8

21933480/EN-US - 04/2018

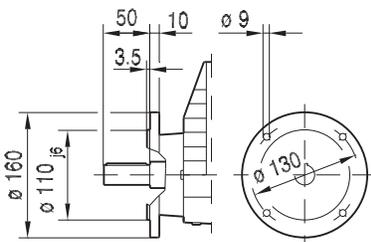
(→ 163)	DR63	DRS71S	DRS71M	DRN80M	DRN90S	DRN90L	DRN100L/LM	DRN112M	DRN132S	DRN132M
<b>AC</b>	132	139	139	156	179	179	197	221	221	261
<b>AD</b>	105	119	119	128	140	140	157	170	170	228
<b>ADS</b>	105	129	129	139	150	150	158	172	172	228
<b>L</b>	386	397	422	476	478	510	556	587	641	659
<b>LS</b>	441	465	490	557	571	603	650	699	753	797
<b>LB</b>	185	196	221	275	277	309	355	386	440	458
<b>LBS</b>	240	264	289	356	370	402	449	498	552	596

Dimensions in mm unless noted as inch. For all available output shaft diameters, see page 348. For tolerances, see page 163.

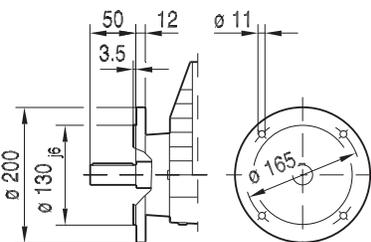
### RXF67..



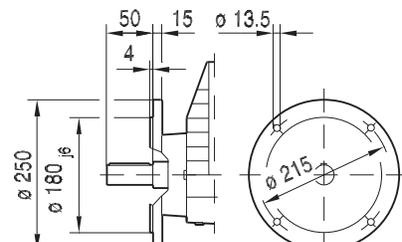
#### Ø 160



#### Ø 200



#### Ø 250

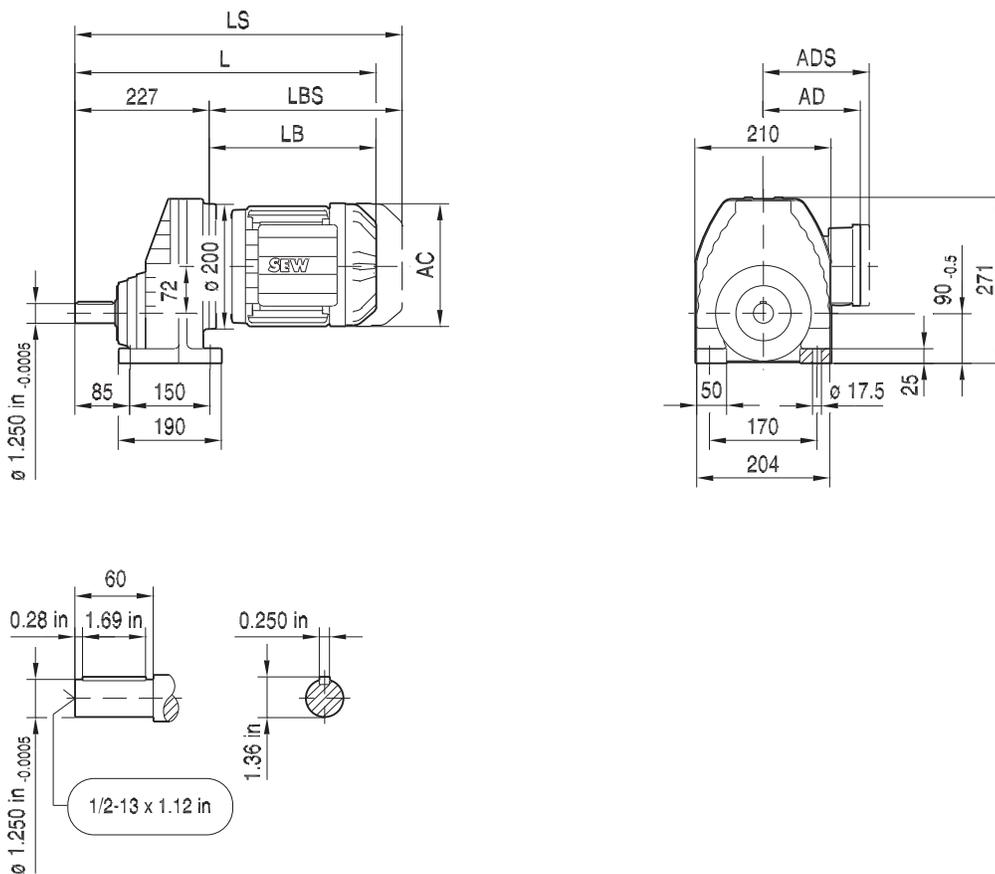


(→ 163)	DR63	DRS71S	DRS71M	DRN80M	DRN90S	DRN90L	DRN100L/LM	DRN112M	DRN132S	DRN132M
AC	132	139	139	156	179	179	197	221	221	261
AD	105	119	119	128	140	140	157	170	170	228
ADS	105	129	129	139	150	150	158	172	172	228
L	386	397	422	476	478	510	556	587	641	659
LS	441	465	490	557	571	603	650	699	753	797
LB	185	196	221	275	277	309	355	386	440	458
LBS	240	264	289	356	370	402	449	498	552	596

Dimensions in mm unless noted as inch. For all available output shaft diameters, see page 348. For tolerances, see page 163.

01 233 00 16

**RX77..**



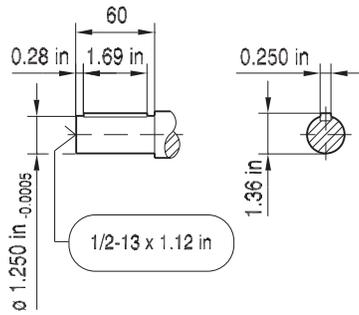
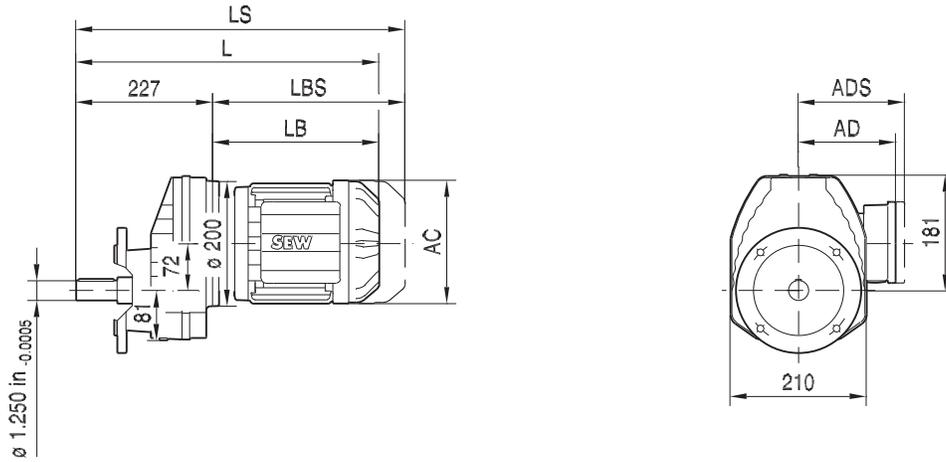
8

21933480/EN-US - 04/2018

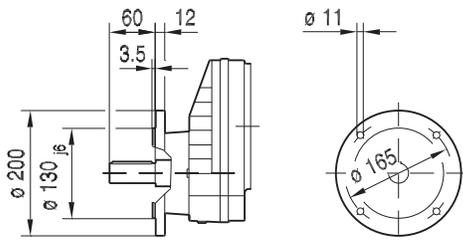
(→ 163)	DRN90S	DRN90L	DRN100L/LM	DRN112M	DRN132S	DRN132M	DRN132L	DRN160
AC	179	179	197	221	221	261	261	314
AD	140	140	157	170	170	228	228	253
ADS	150	150	158	172	172	228	228	253
L	497	529	575	606	656	674	700	766
LS	590	622	669	718	768	812	837	955
LB	270	302	348	379	429	447	473	539
LBS	363	395	442	491	541	585	610	728

Dimensions in mm unless noted as inch. For all available output shaft diameters, see page 348. For tolerances, see page 163.

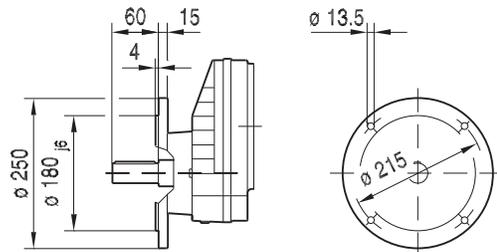
### RXF77..



#### ø 200



#### ø 250

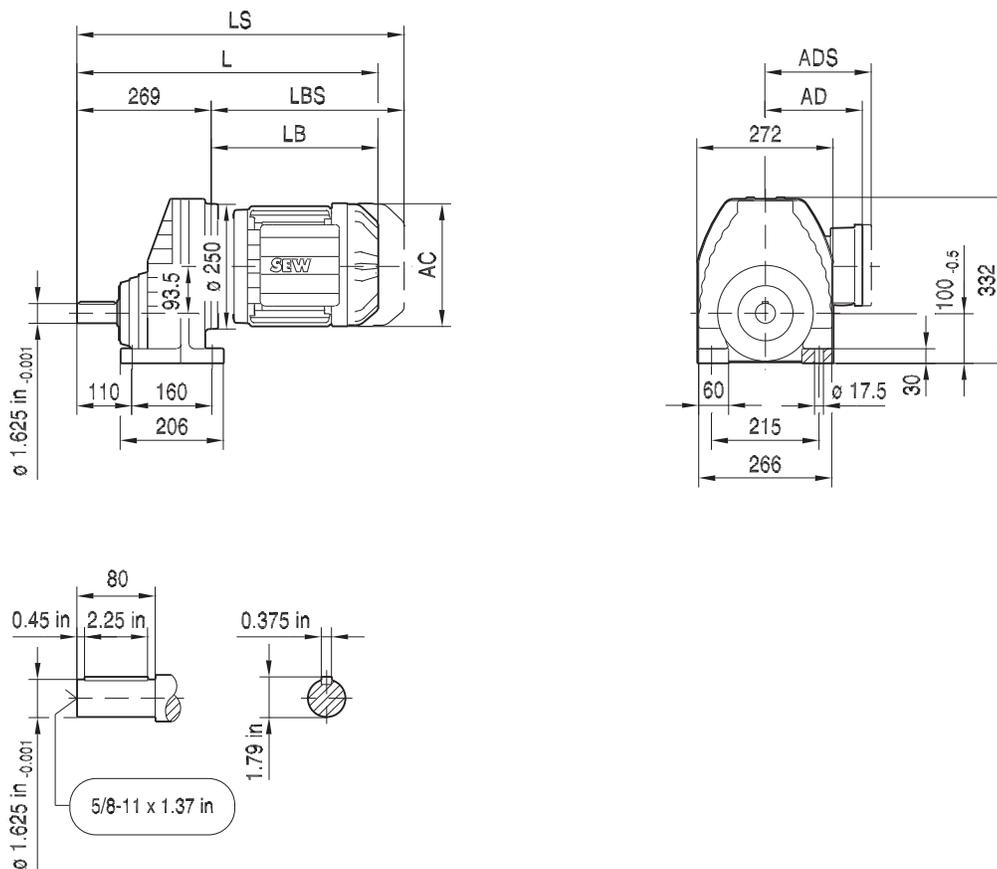


(→ 163)	DRN90S	DRN90L	DRN100L/LM	DRN112M	DRN132S	DRN132M	DRN132L	DRN160
AC	179	179	197	221	221	261	261	314
AD	140	140	157	170	170	228	228	253
ADS	150	150	158	172	172	228	228	253
L	497	529	575	606	656	674	700	766
LS	590	622	669	718	768	812	837	955
LB	270	302	348	379	429	447	473	539
LBS	363	395	442	491	541	585	610	728

Dimensions in mm unless noted as inch. For all available output shaft diameters, see page 348. For tolerances, see page 163.

01 235 00 16

**RX87..**



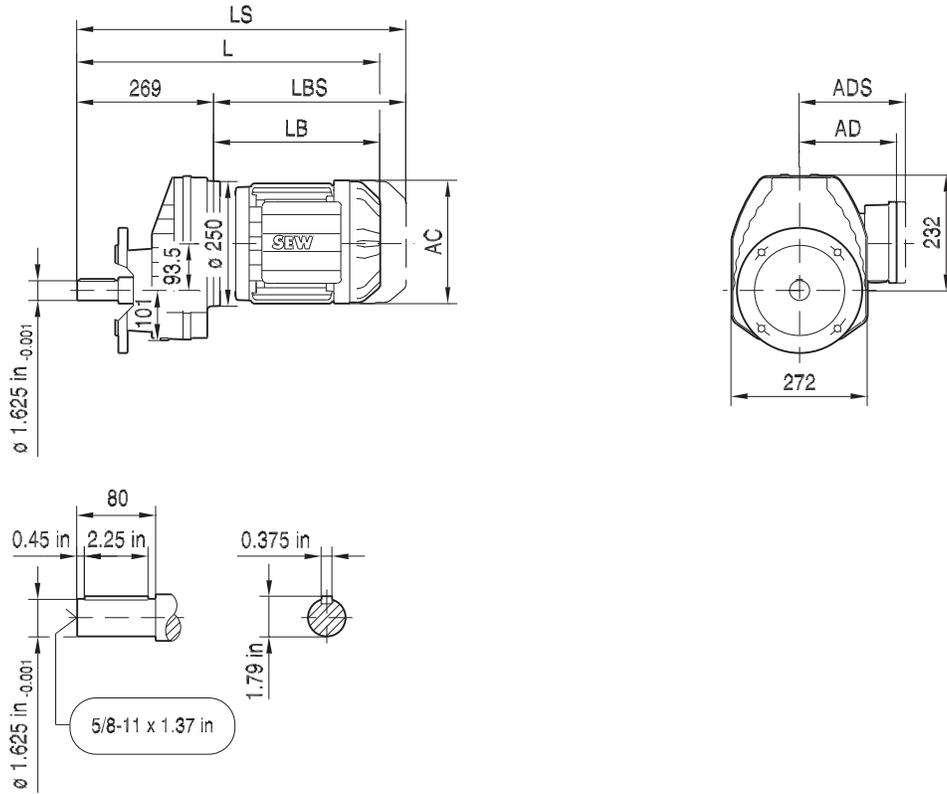
8

21933480/EN-US - 04/2018

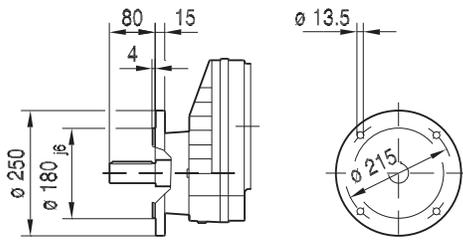
(→ 163)	DRN90S	DRN90L	DRN100L/LM	DRN112M	DRN132S	DRN132M	DRN132L	DRN160	DRN180
<b>AC</b>	179	179	197	221	221	261	261	314	357
<b>AD</b>	140	140	157	170	170	228	228	253	268
<b>ADS</b>	150	150	158	172	172	228	228	253	268
<b>L</b>	534	566	612	643	693	711	737	803	826
<b>LS</b>	627	659	706	755	805	849	874	992	1015
<b>LB</b>	265	297	343	374	424	442	468	534	557
<b>LBS</b>	358	390	437	486	536	580	605	723	746

Dimensions in mm unless noted as inch. For all available output shaft diameters, see page 348. For tolerances, see page 163.

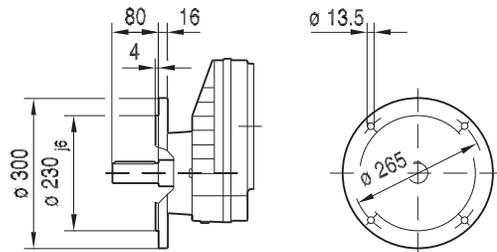
### RXF87..



#### Ø 250



#### Ø 300

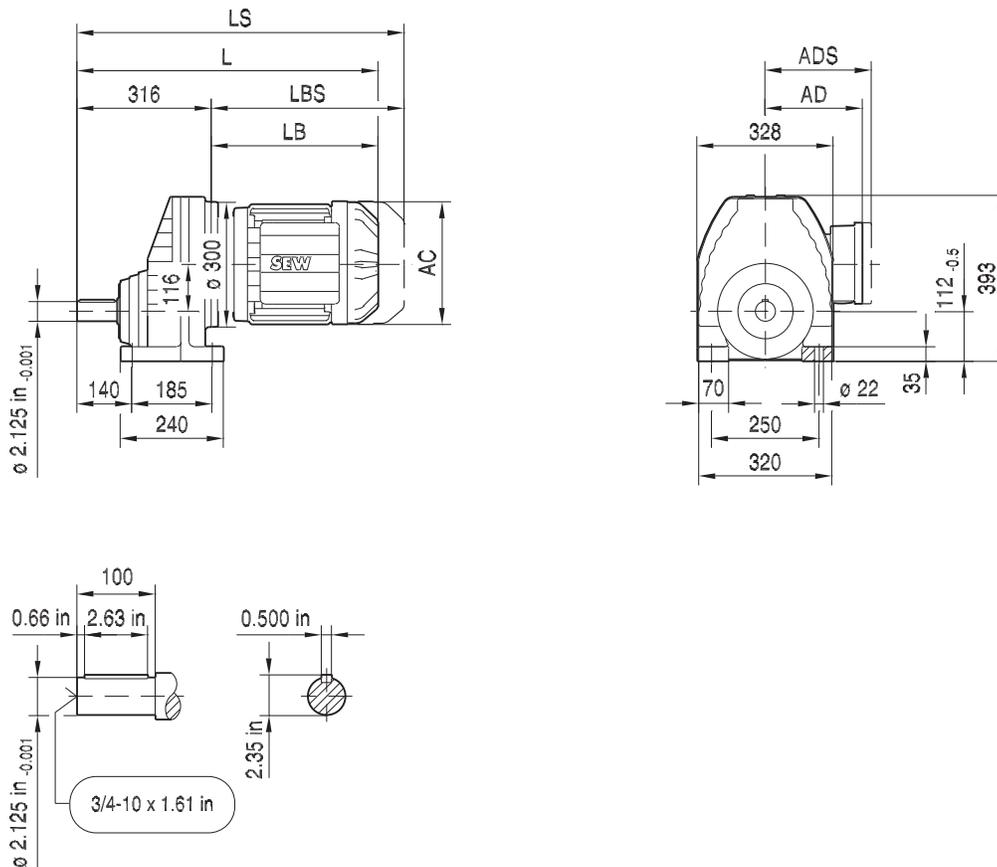


(→ 163)	DRN90S	DRN90L	DRN100L/LM	DRN112M	DRN132S	DRN132M	DRN132L	DRN160	DRN180
AC	179	179	197	221	221	261	261	314	357
AD	140	140	157	170	170	228	228	253	268
ADS	150	150	158	172	172	228	228	253	268
L	534	566	612	643	693	711	737	803	826
LS	627	659	706	755	805	849	874	992	1015
LB	265	297	343	374	424	442	468	534	557
LBS	358	390	437	486	536	580	605	723	746

Dimensions in mm unless noted as inch. For all available output shaft diameters, see page 348. For tolerances, see page 163.

01 237 00 16

**RX97..**



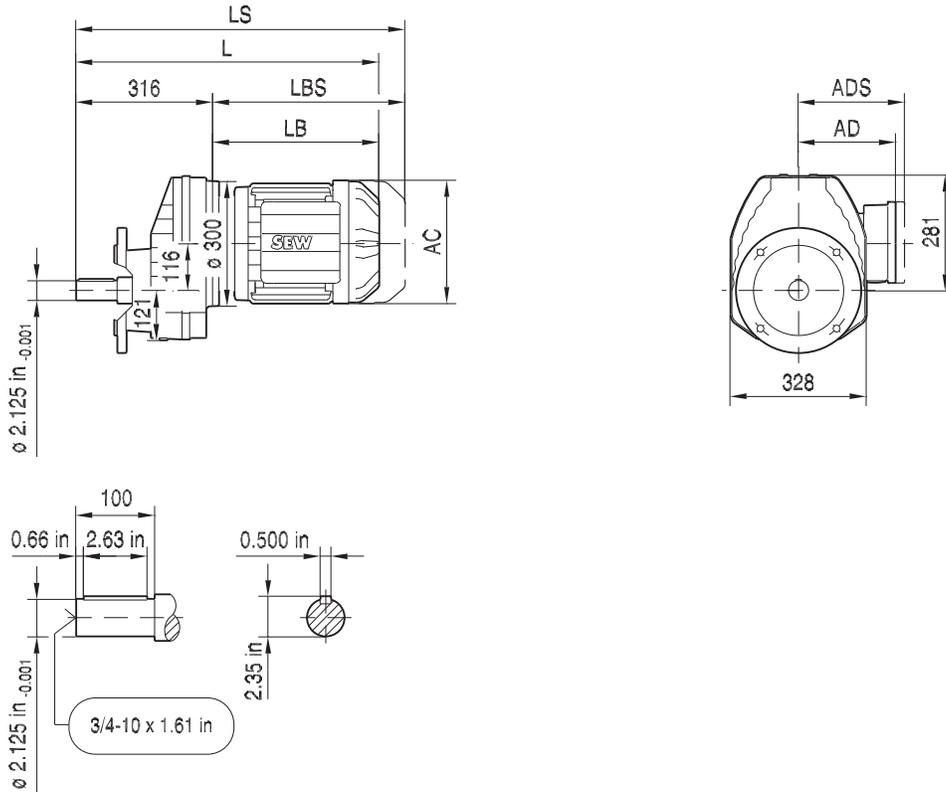
8

21933480/EN-US - 04/2018

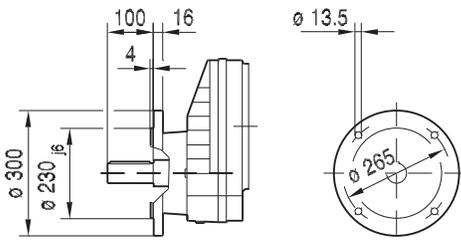
(→ 163)	DRN100L/LM	DRN112M	DRN132S	DRN132M	DRN132L	DRN160	DRN180	DRN200L	DRN225
<b>AC</b>	197	221	221	261	261	314	357	394	434
<b>AD</b>	157	170	170	228	228	253	268	283	305
<b>ADS</b>	158	172	172	228	228	253	268	283	305
<b>L</b>	654	685	735	753	779	845	868	978	952
<b>LS</b>	748	797	847	891	916	1034	1057	1183	1157
<b>LB</b>	338	369	419	437	463	529	552	662	636
<b>LBS</b>	432	481	531	575	600	718	741	867	841

Dimensions in mm unless noted as inch. For all available output shaft diameters, see page 348. For tolerances, see page 163.

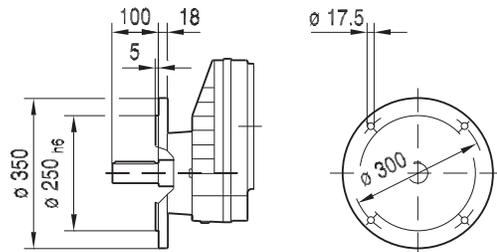
### RXF97..



#### Ø 300



#### Ø 350

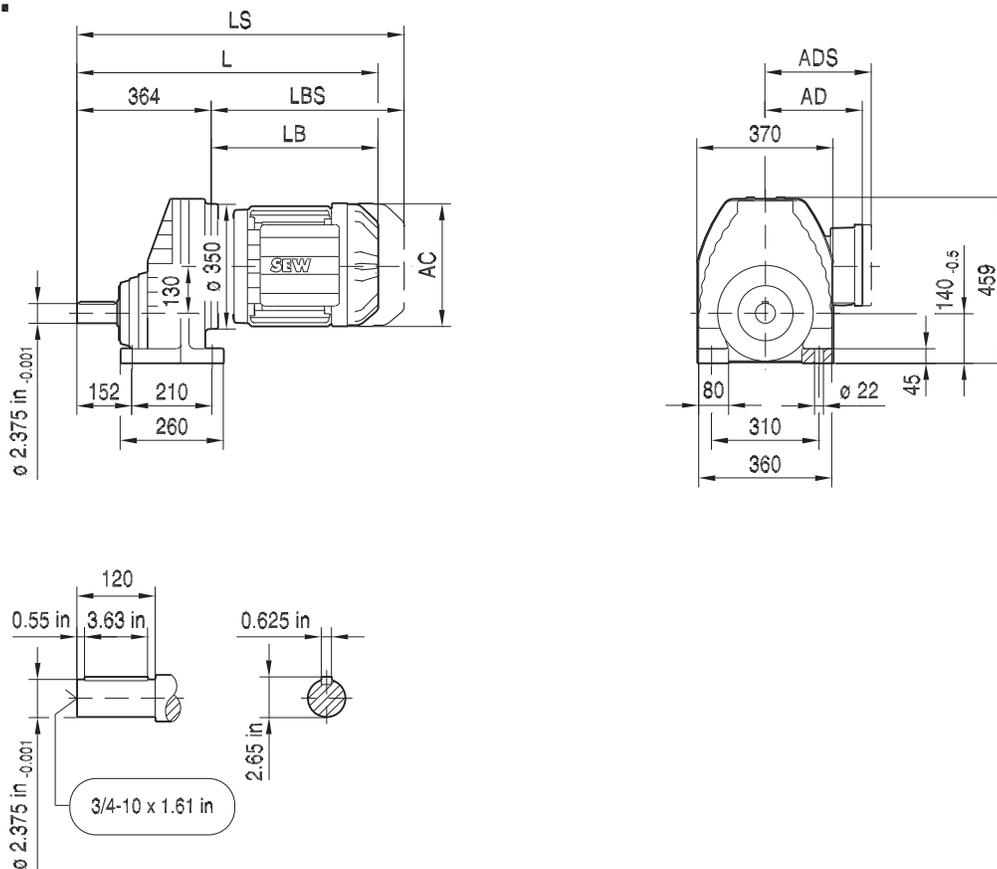


(→ 163)	DRN100L/LM	DRN112M	DRN132S	DRN132M	DRN132L	DRN160	DRN180	DRN200L	DRN225
AC	197	221	221	261	261	314	357	394	434
AD	157	170	170	228	228	253	268	283	305
ADS	158	172	172	228	228	253	268	283	305
L	654	685	735	753	779	845	868	978	952
LS	748	797	847	891	916	1034	1057	1183	1157
LB	338	369	419	437	463	529	552	662	636
LBS	432	481	531	575	600	718	741	867	841

Dimensions in mm unless noted as inch. For all available output shaft diameters, see page 348. For tolerances, see page 163.

01 239 00 16

**RX107..**



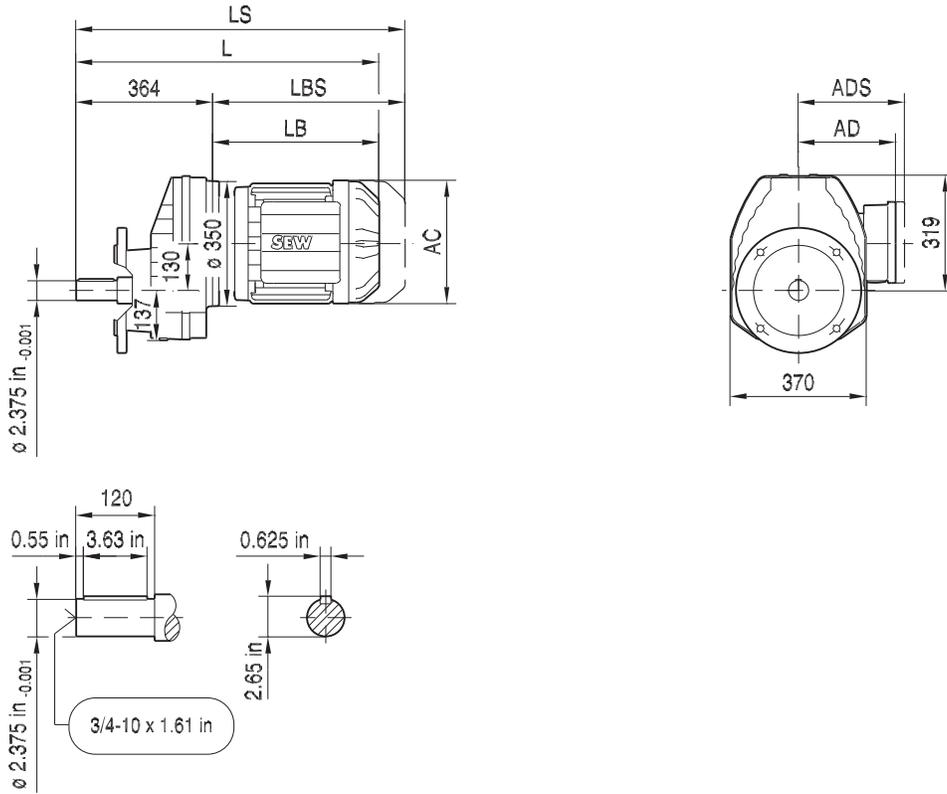
8

21933480/EN-US - 04/2018

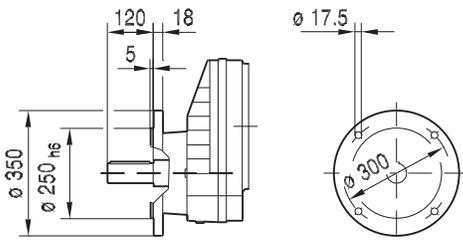
(→ 163)	DRN132S	DRN132M	DRN132L	DRN160	DRN180	DRN200L	DRN225
AC	221	261	261	314	357	394	434
AD	170	228	228	253	268	283	305
ADS	172	228	228	253	268	283	305
L	777	795	821	887	910	1020	994
LS	889	933	958	1076	1099	1225	1199
LB	413	431	457	523	546	656	630
LBS	525	569	594	712	735	861	835

Dimensions in mm unless noted as inch. For all available output shaft diameters, see page 348. For tolerances, see page 163.

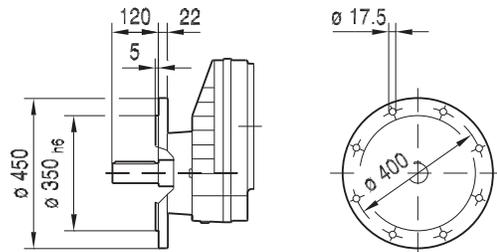
### RXF107..



#### Ø 350



#### Ø 450



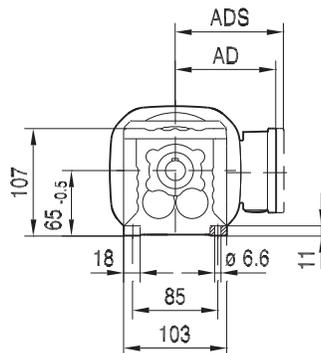
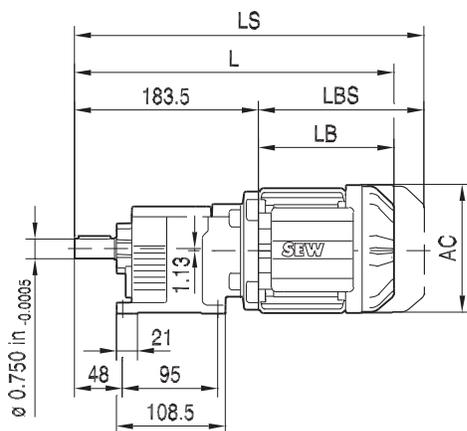
(→ 163)	DRN132S	DRN132M	DRN132L	DRN160	DRN180	DRN200L	DRN225
AC	221	261	261	314	357	394	434
AD	170	228	228	253	268	283	305
ADS	172	228	228	253	268	283	305
L	777	795	821	887	910	1020	994
LS	889	933	958	1076	1099	1225	1199
LB	413	431	457	523	546	656	630
LBS	525	569	594	712	735	861	835

Dimensions in mm unless noted as inch. For all available output shaft diameters, see page 348. For tolerances, see page 163.

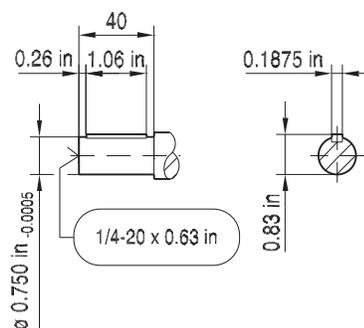
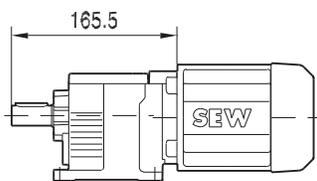
01 241 00 16

R07..

DR..

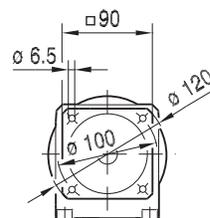
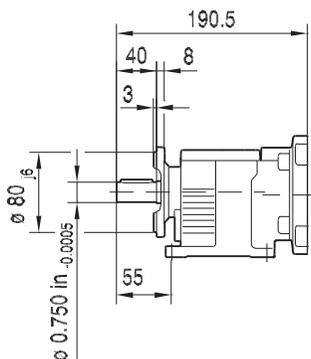


DT56..

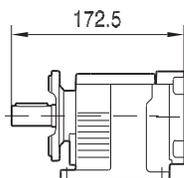


R07F..

DR..



DT56..



21933480/EN-US - 04/2018

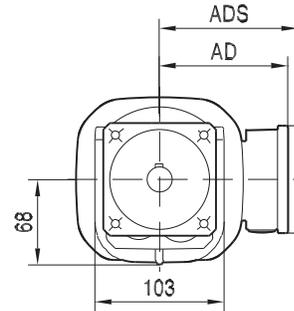
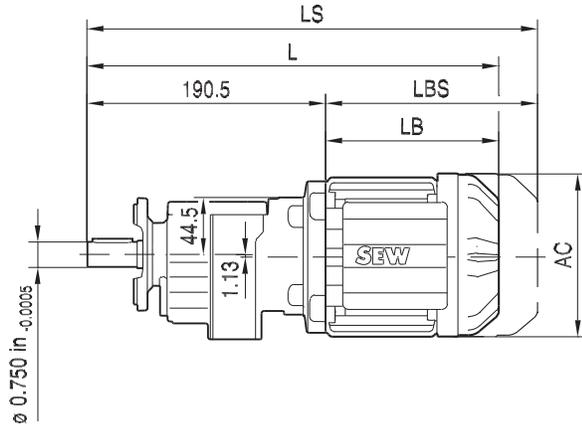
(→ 163)	DT56	DR63	DRS71S	DRS71M				
AC	109	132	139	139				
AD	87	105	119	119				
ADS	87	105	129	129				
L	302	333	344	369				
LS	338	388	412	437				
LB	136	149	160	185				
LBS	172	204	228	253				

Dimensions in mm unless noted as inch. For all available output shaft diameters, see page 348. For tolerances, see page 163.

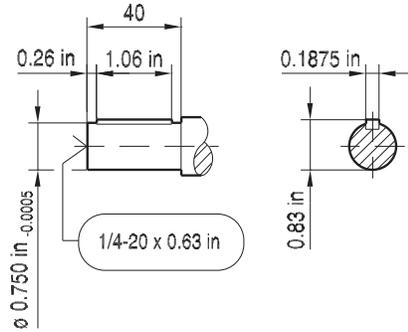
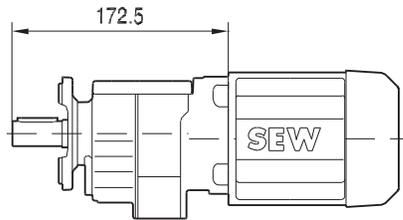
01 242 00 16

**RF07..**

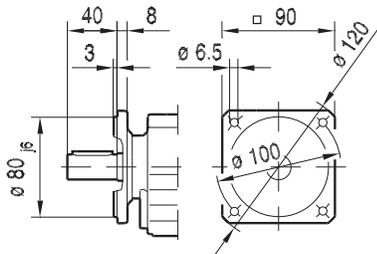
**DR..**



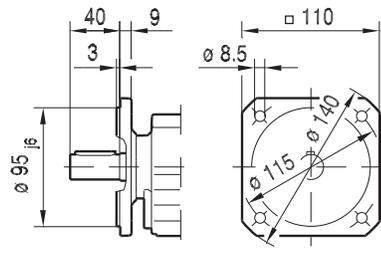
**DT56..**



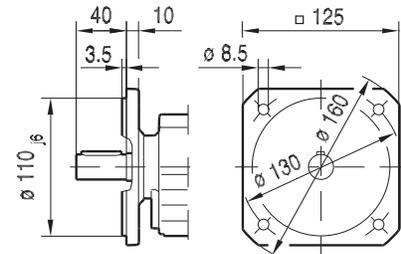
**ø 120**



**ø 140**



**ø 160**



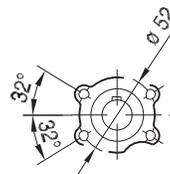
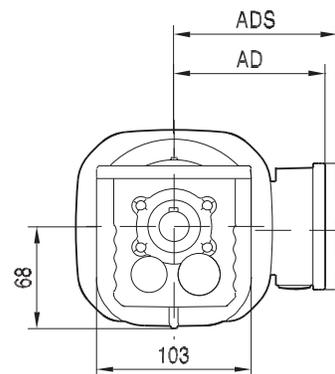
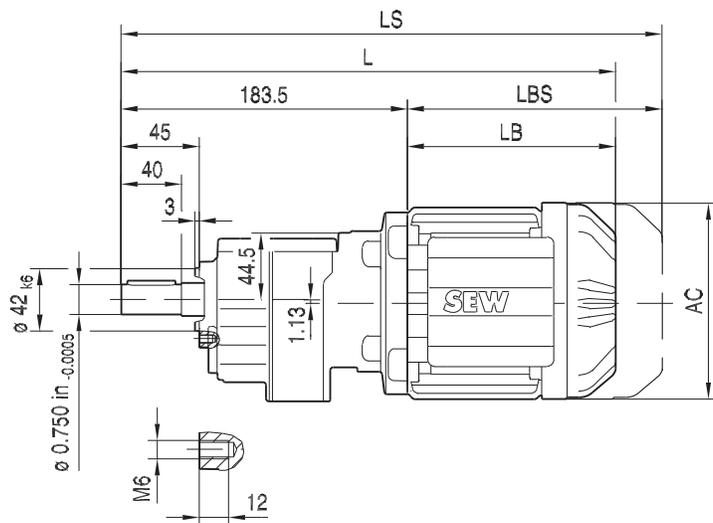
(→ 163)	DT56	DR63	DRS71S	DRS71M				
AC	109	132	139	139				
AD	87	105	119	119				
ADS	87	105	129	129				
L	309	340	351	376				
LS	345	395	419	444				
LB	136	149	160	185				
LBS	172	204	228	253				

Dimensions in mm unless noted as inch. For all available output shaft diameters, see page 348. For tolerances, see page 163.

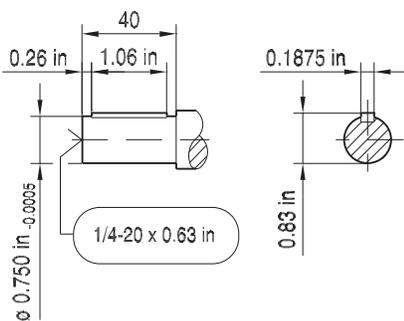
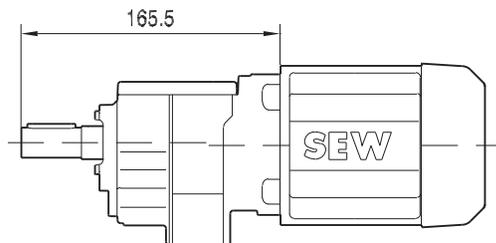
21933480/EN-US - 04/2018

01 243 00 16

**RZ07..  
DR..**



**DT56..**

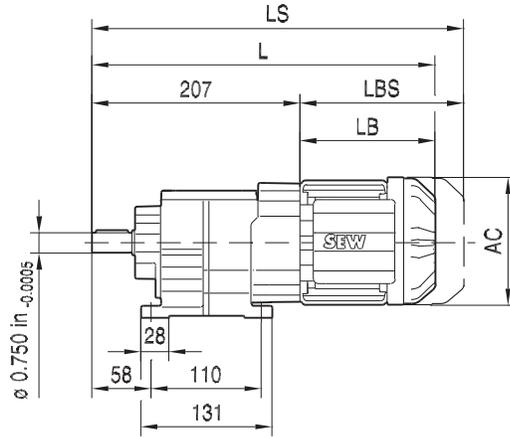


21933480/EN-US - 04/2018

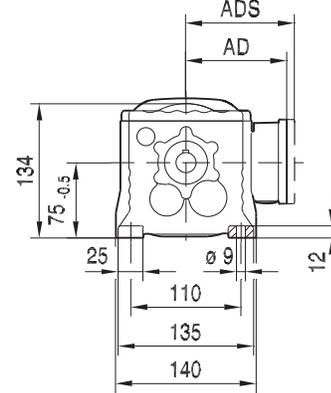
(→ 163)	DT56	DR63	DRS71S	DRS71M				
AC	109	132	139	139				
AD	87	105	119	119				
ADS	87	105	129	129				
L	302	333	344	369				
LS	338	388	412	437				
LB	136	149	160	185				
LBS	172	204	228	253				

Dimensions in mm unless noted as inch. For all available output shaft diameters, see page 348. For tolerances, see page 163.

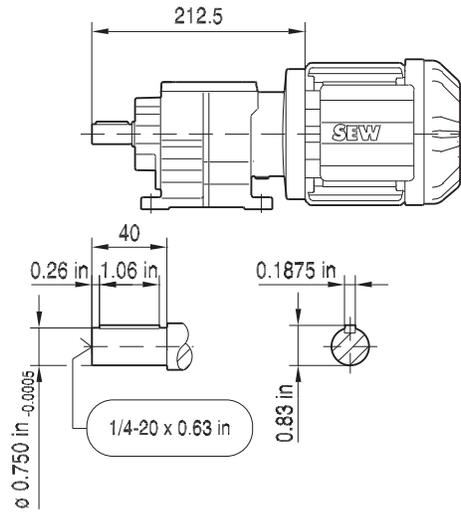
**R17..**



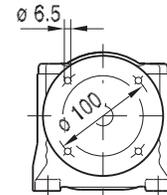
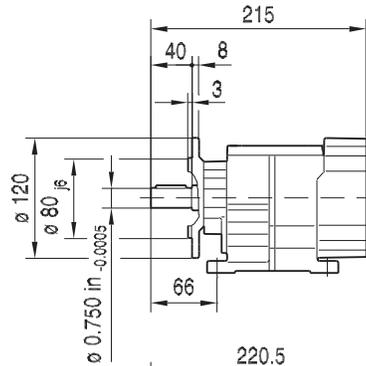
**01 244 00 16**



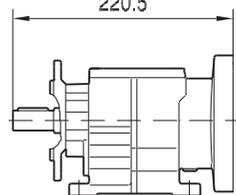
**DRN80..**



**R17F..**



**DRN80..**

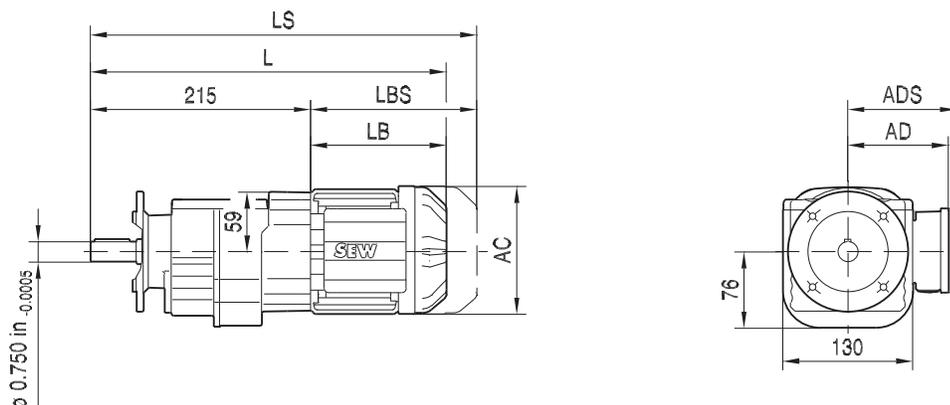


(→ 163)	DR63	DRS71S	DRS71M	DRN80MS	DRN80M			
AC	132	139	139	156	156			
AD	105	119	119	128	128			
ADS	105	129	129	139	139			
L	356	367	392	414	442			
LS	411	435	460	495	523			
LB	149	160	185	207	235			
LBS	204	228	253	288	316			

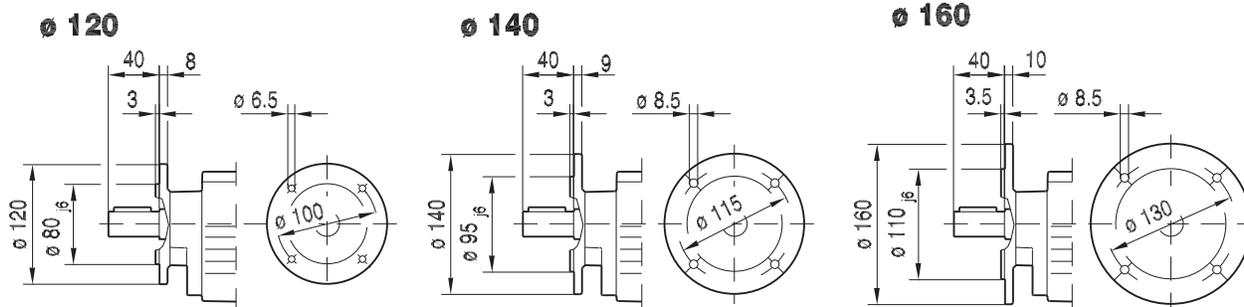
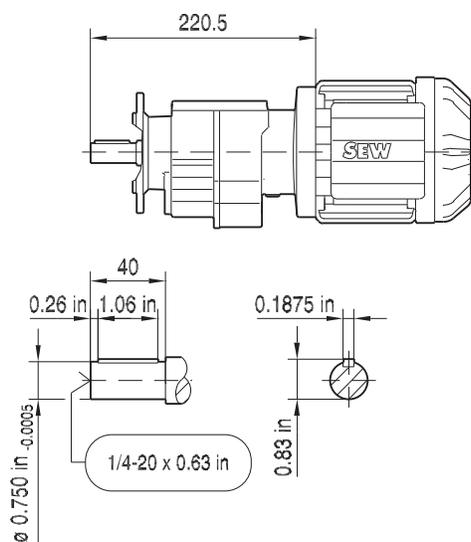
Dimensions in mm unless noted as inch. For all available output shaft diameters, see page 348. For tolerances, see page 163.

01 245 00 16

**RF17..**



**DRN80..**



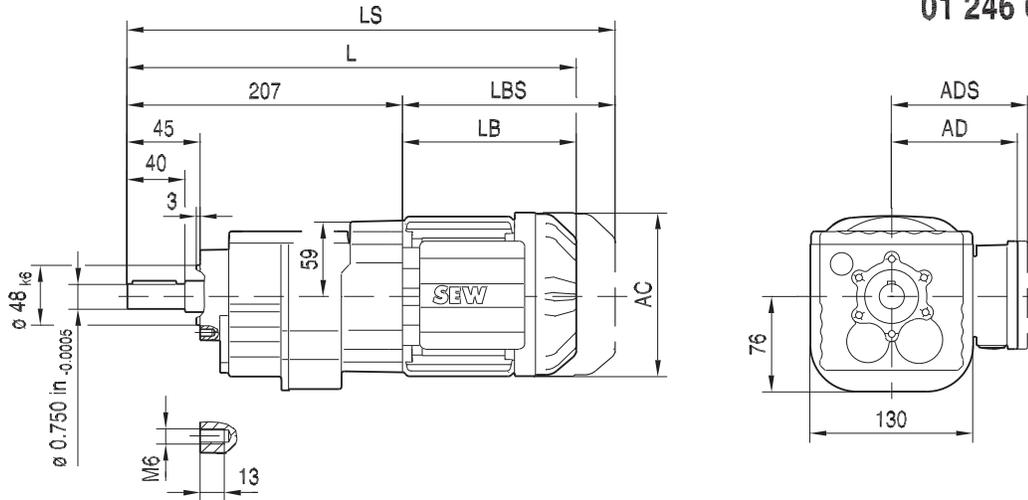
21933480/EN-US - 04/2018

(→ 163)	DR63	DRS71S	DRS71M	DRN80MS	DRN80M			
AC	132	139	139	156	156			
AD	105	119	119	128	128			
ADS	105	129	129	139	139			
L	364	375	400	422	450			
LS	419	443	468	503	531			
LB	149	160	185	207	235			
LBS	204	228	253	288	316			

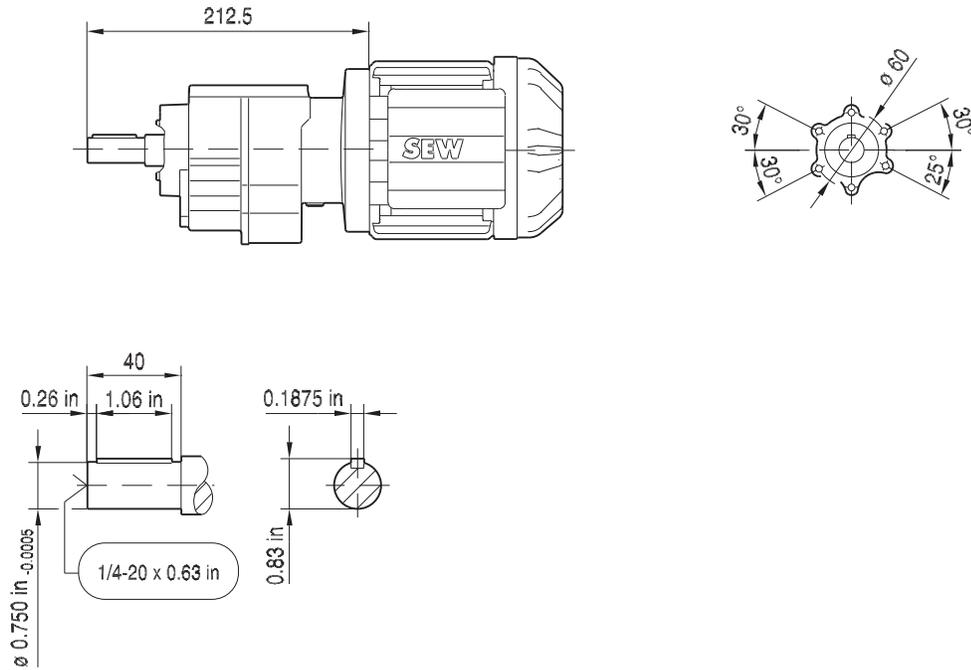
Dimensions in mm unless noted as inch. For all available output shaft diameters, see page 348. For tolerances, see page 163.

01 246 00 16

### RZ17..



### DRN80..

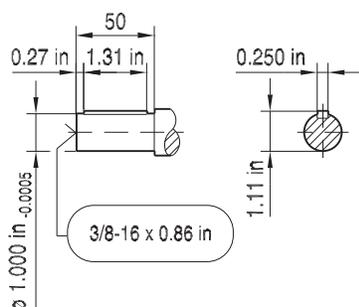
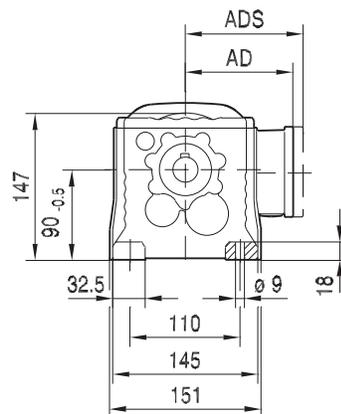
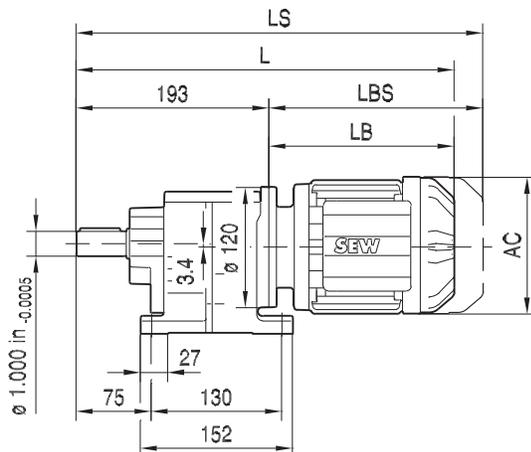


(→ 163)	DR63	DRS71S	DRS71M	DRN80MS	DRN80M			
AC	132	139	139	156	156			
AD	105	119	119	128	128			
ADS	105	129	129	139	139			
L	356	367	392	414	442			
LS	411	435	460	495	523			
LB	149	160	185	207	235			
LBS	204	228	253	288	316			

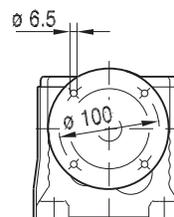
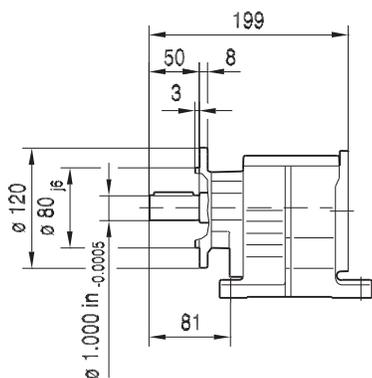
Dimensions in mm unless noted as inch. For all available output shaft diameters, see page 348. For tolerances, see page 163.

01 247 00 16

**R27..**



**R27F..**



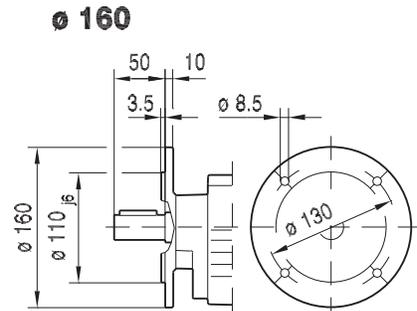
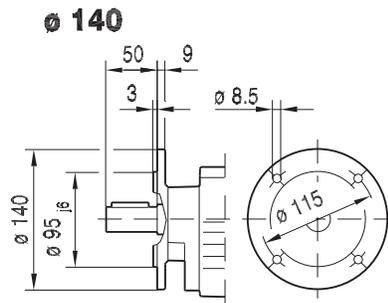
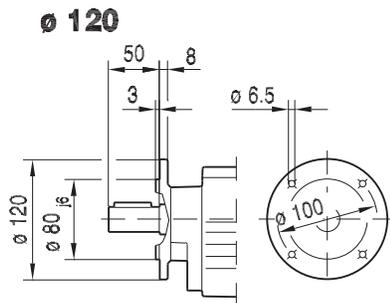
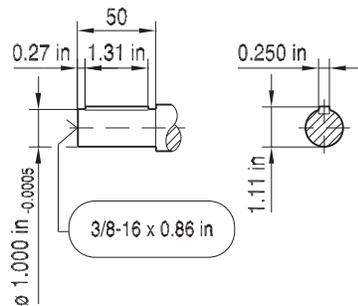
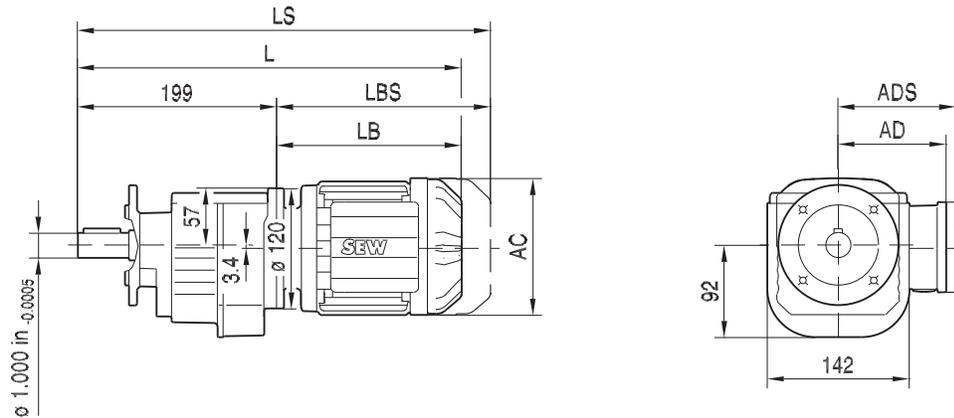
21933480/EN-US - 04/2018

(→ 163)	DR63	DRS71S	DRS71M	DRN80MS	DRN80M	DRN90S	DRN90L	DRN100L/LM
AC	132	139	139	156	156	179	179	197
AD	105	119	119	128	128	140	140	157
ADS	105	129	129	139	139	150	150	158
L	384	395	420	447	475	476	508	557
LS	439	463	488	528	556	570	602	651
LB	191	202	227	254	282	283	315	364
LBS	246	270	295	335	363	377	409	458

Dimensions in mm unless noted as inch. For all available output shaft diameters, see page 348. For tolerances, see page 163.

### RF27..

01 248 00 16

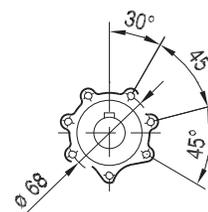
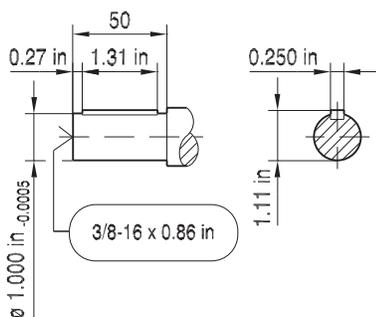
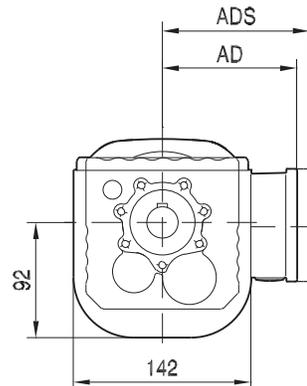
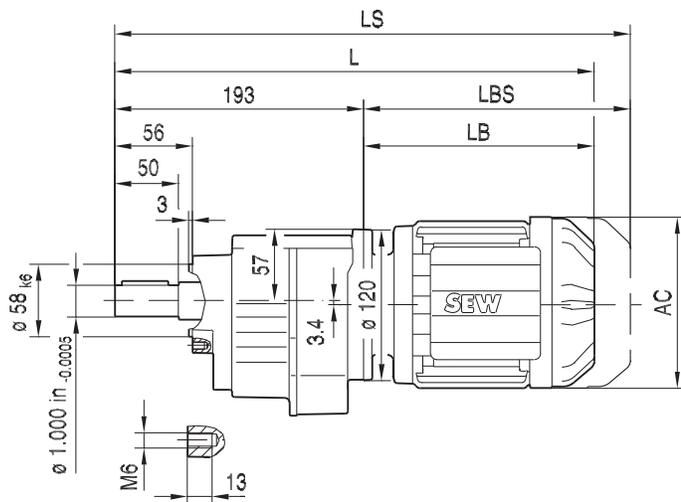


(→ 163)	DR63	DRS71S	DRS71M	DRN80MS	DRN80M	DRN90S	DRN90L	DRN100L/LM
AC	132	139	139	156	156	179	179	197
AD	105	119	119	128	128	140	140	157
ADS	105	129	129	139	139	150	150	158
L	390	401	426	453	481	482	514	563
LS	445	469	494	534	562	576	608	657
LB	191	202	227	254	282	283	315	364
LBS	246	270	295	335	363	377	409	458

Dimensions in mm unless noted as inch. For all available output shaft diameters, see page 348. For tolerances, see page 163.

RZ27..

01 249 00 16



8

21933480/EN-US - 04/2018

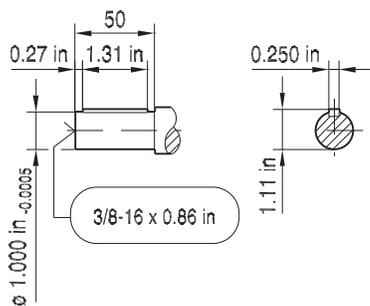
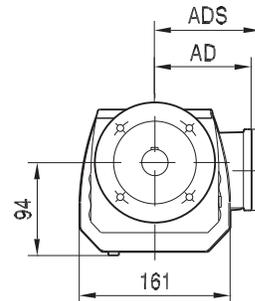
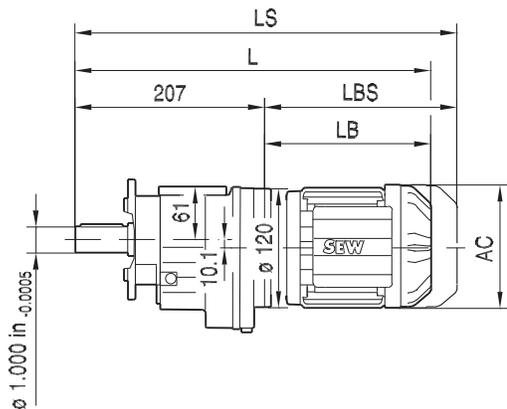
(→ 163)	DR63	DRS71S	DRS71M	DRN80MS	DRN80M	DRN90S	DRN90L	DRN100L/LM
AC	132	139	139	156	156	179	179	197
AD	105	119	119	128	128	140	140	157
ADS	105	129	129	139	139	150	150	158
L	384	395	420	447	475	476	508	557
LS	439	463	488	528	556	570	602	651
LB	191	202	227	254	282	283	315	364
LBS	246	270	295	335	363	377	409	458

Dimensions in mm unless noted as inch. For all available output shaft diameters, see page 348. For tolerances, see page 163.

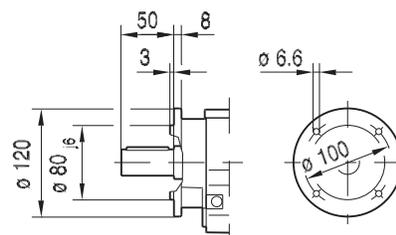


01 251 00 16

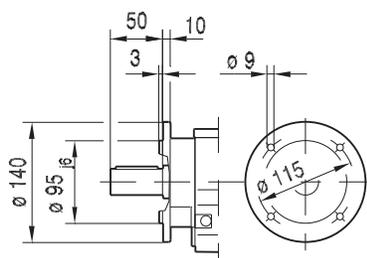
**RF37..**



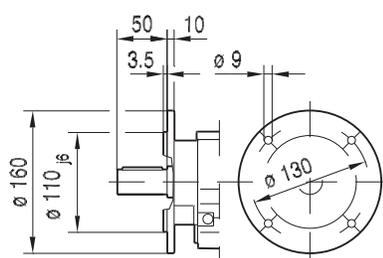
**ø 120**



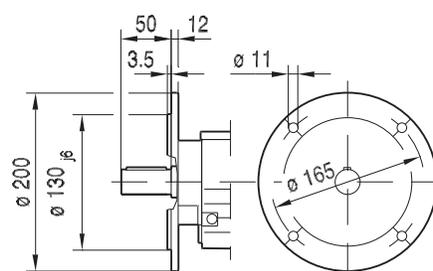
**ø 140**



**ø 160**



**ø 200**



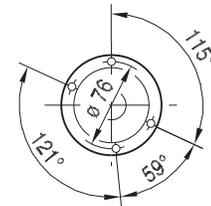
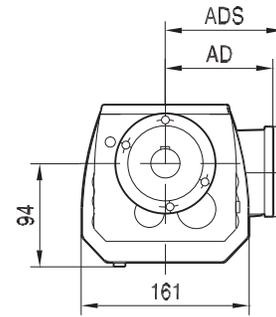
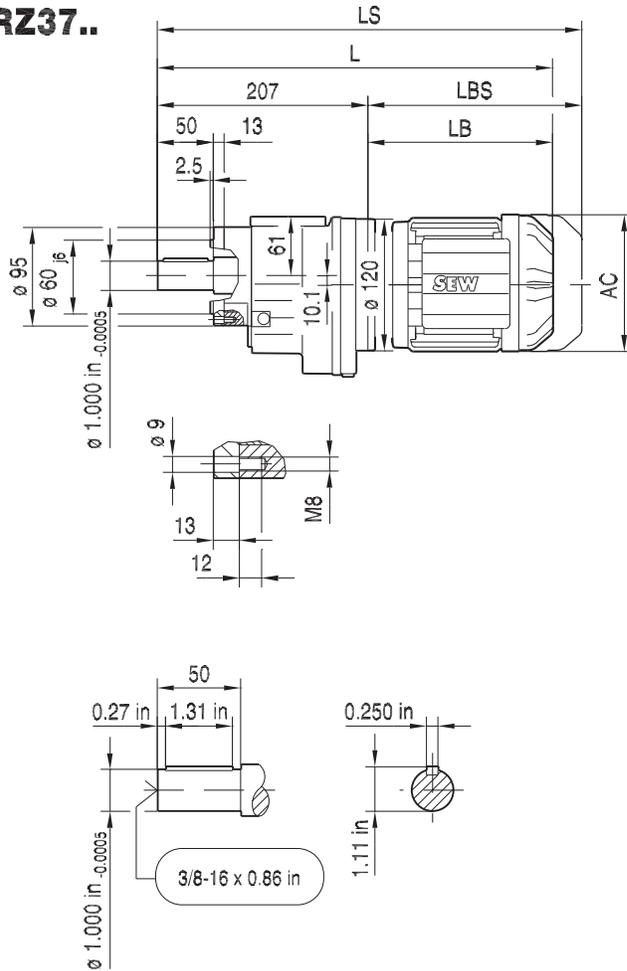
21933480/EN-US - 04/2018

(→ 163)	DR63	DRS71S	DRS71M	DRN80M	DRN90S	DRN90L	DRN100L/LM
AC	132	139	139	156	179	179	197
AD	105	119	119	128	140	140	157
ADS	105	129	129	139	150	150	158
L	398	409	434	489	490	522	571
LS	453	477	502	570	584	616	665
LB	191	202	227	282	283	315	364
LBS	246	270	295	363	377	409	458

Dimensions in mm unless noted as inch. For all available output shaft diameters, see page 348. For tolerances, see page 163.

**RZ37..**

**01 252 00 16**

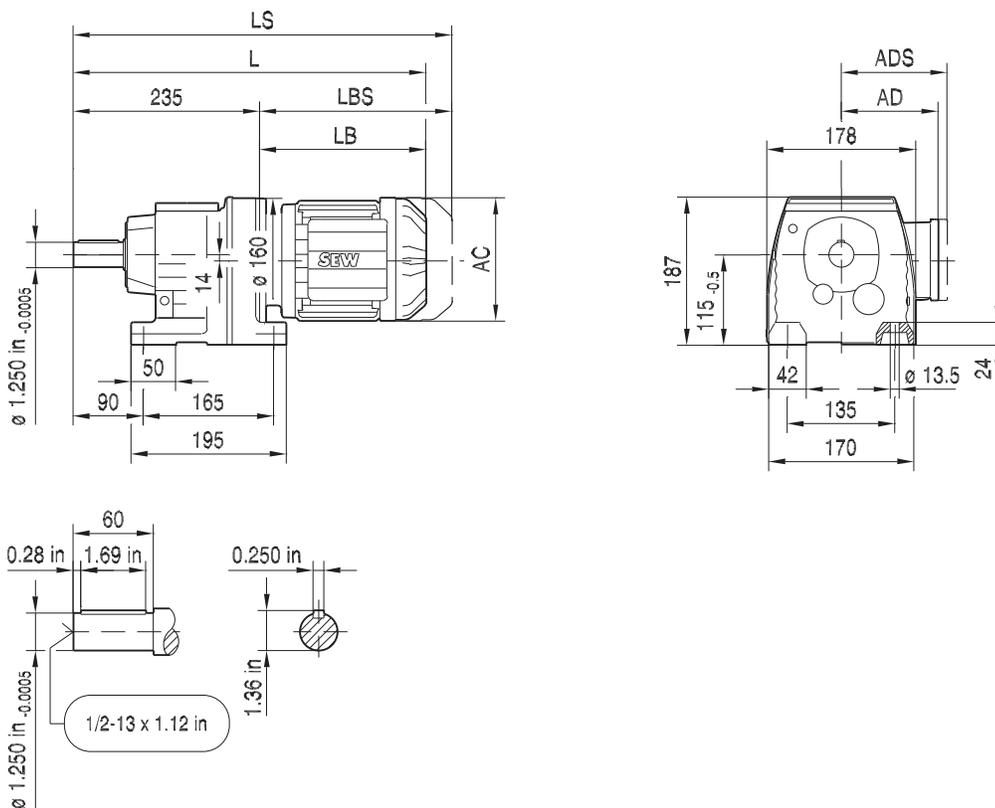


(→ 163)	DR63	DRS71S	DRS71M	DRN80M	DRN90S	DRN90L	DRN100L/LM
AC	132	139	139	156	179	179	197
AD	105	119	119	128	140	140	157
ADS	105	129	129	139	150	150	158
L	398	409	434	489	490	522	571
LS	453	477	502	570	584	616	665
LB	191	202	227	282	283	315	364
LBS	246	270	295	363	377	409	458

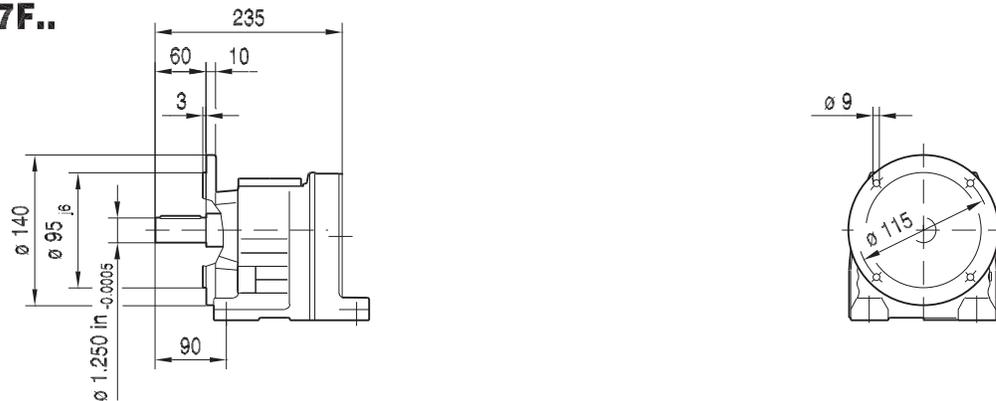
Dimensions in mm unless noted as inch. For all available output shaft diameters, see page 348. For tolerances, see page 163.

01 253 00 16

**R47..**



**R47F..**

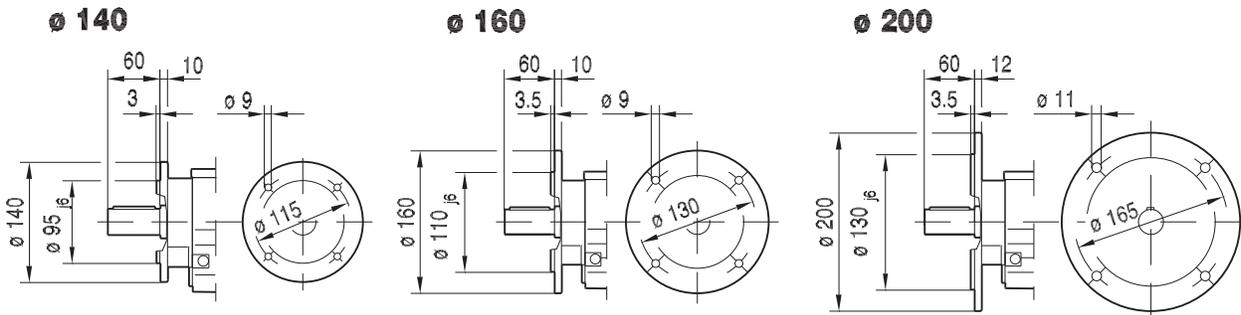
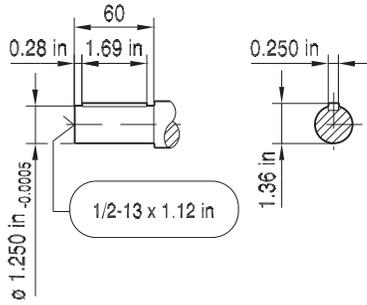
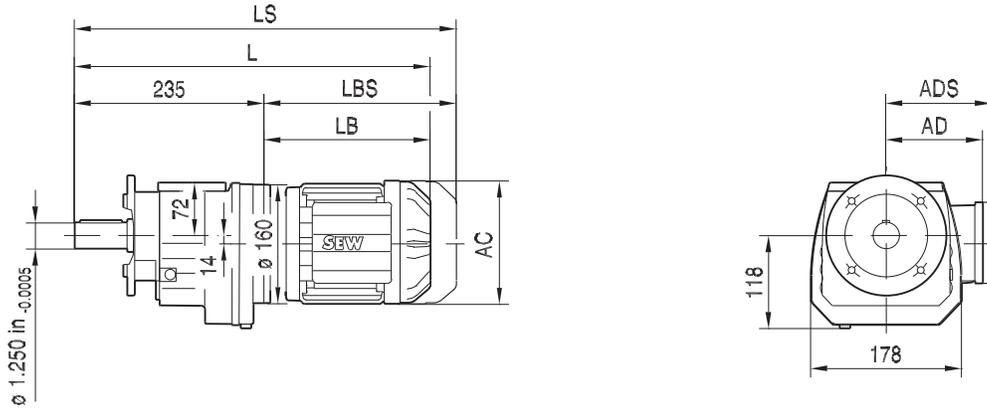


(→ 163)	DR63	DRS71S	DRS71M	DRN80M	DRN90S	DRN90L	DRN100L/LM	DRN112M	DRN132S
AC	132	139	139	156	179	179	197	221	221
AD	105	119	119	128	140	140	157	170	170
ADS	105	129	129	139	150	150	158	172	172
L	420	431	456	510	512	544	590	621	675
LS	475	499	524	591	605	637	684	733	787
LB	185	196	221	275	277	309	355	386	440
LBS	240	264	289	356	370	402	449	498	552

Dimensions in mm unless noted as inch. For all available output shaft diameters, see page 348. For tolerances, see page 163.

21933480/EN-US - 04/2018

### RF47..

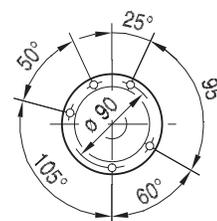
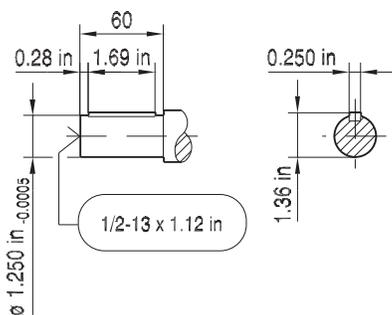
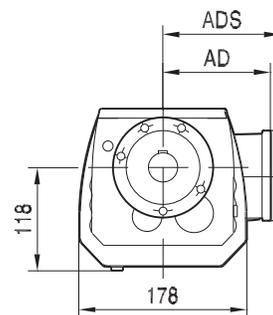
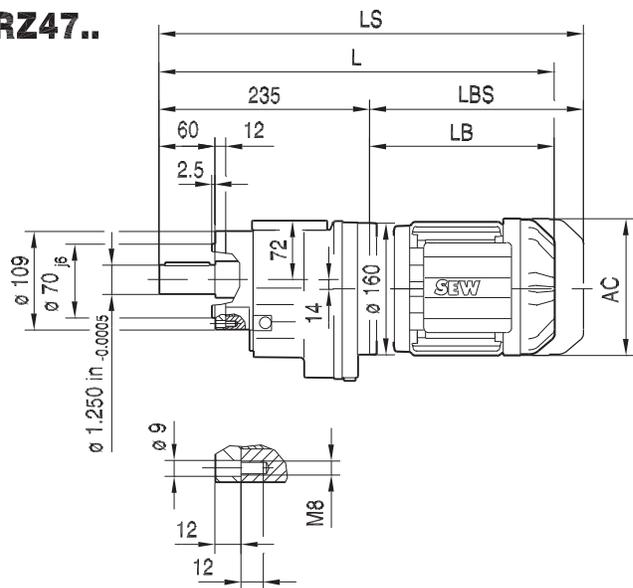


(→ 163)	DR63	DRS71S	DRS71M	DRN80M	DRN90S	DRN90L	DRN100L/LM	DRN112M	DRN132S
AC	132	139	139	156	179	179	197	221	221
AD	105	119	119	128	140	140	157	170	170
ADS	105	129	129	139	150	150	158	172	172
L	420	431	456	510	512	544	590	621	675
LS	475	499	524	591	605	637	684	733	787
LB	185	196	221	275	277	309	355	386	440
LBS	240	264	289	356	370	402	449	498	552

Dimensions in mm unless noted as inch. For all available output shaft diameters, see page 348. For tolerances, see page 163.

RZ47..

01 255 00 16



8

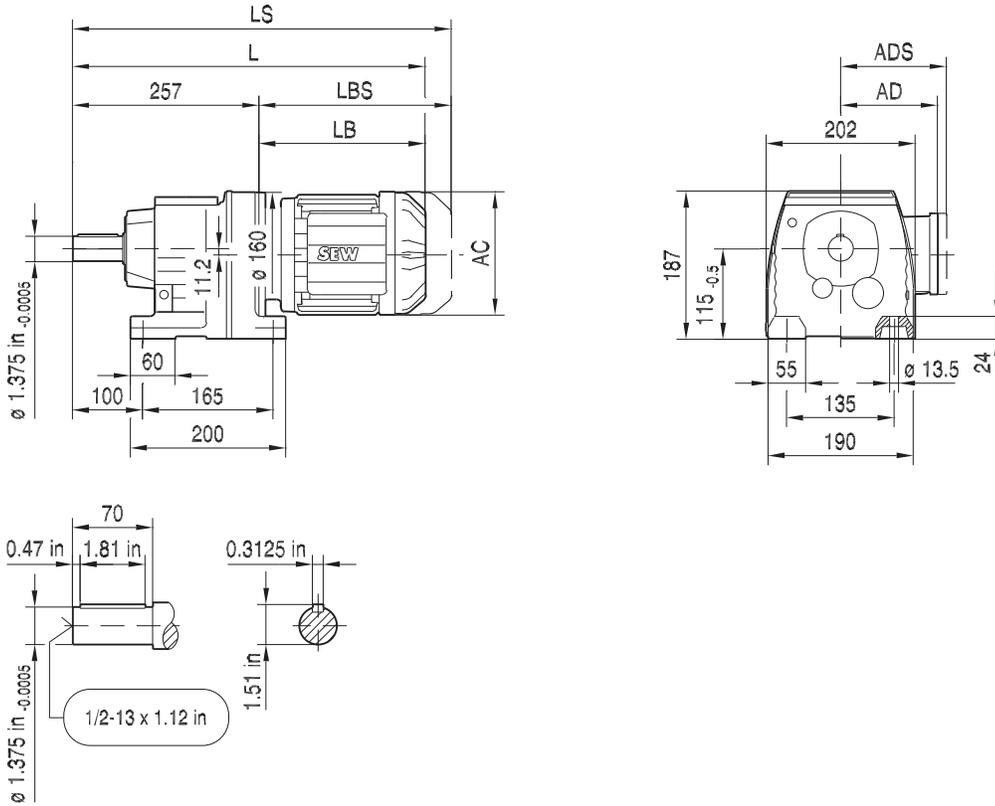
21933480/EN-US - 04/2018

(→ 163)	DR63	DRS71S	DRS71M	DRN80M	DRN90S	DRN90L	DRN100L/LM	DRN112M	DRN132S
AC	132	139	139	156	179	179	197	221	221
AD	105	119	119	128	140	140	157	170	170
ADS	105	129	129	139	150	150	158	172	172
L	420	431	456	510	512	544	590	621	675
LS	475	499	524	591	605	637	684	733	787
LB	185	196	221	275	277	309	355	386	440
LBS	240	264	289	356	370	402	449	498	552

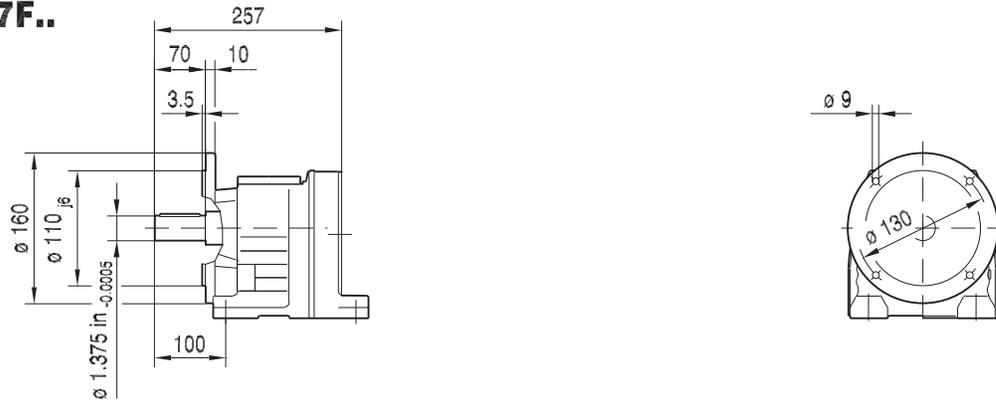
Dimensions in mm unless noted as inch. For all available output shaft diameters, see page 348. For tolerances, see page 163.

01 256 00 16

### R57..



### R57F..

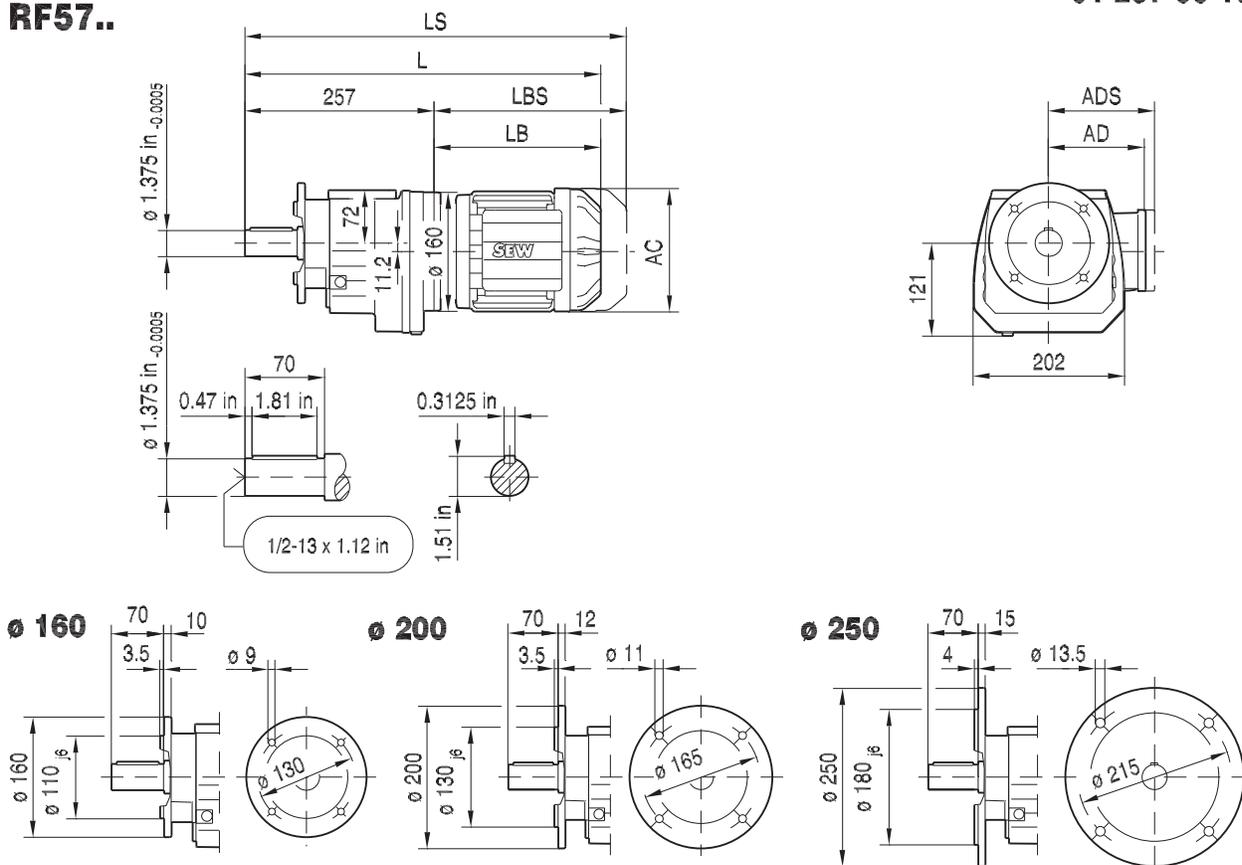


(→ 163)	DR63	DRS71S	DRS71M	DRN80M	DRN90S	DRN90L	DRN100L/LM	DRN112M	DRN132S	DRN132M
AC	132	139	139	156	179	179	197	221	221	261
AD	105	119	119	128	140	140	157	170	170	228
ADS	105	129	129	139	150	150	158	172	172	228
L	442	453	478	532	534	566	612	643	697	715
LS	497	521	546	613	627	659	706	755	809	853
LB	185	196	221	275	277	309	355	386	440	458
LBS	240	264	289	356	370	402	449	498	552	596

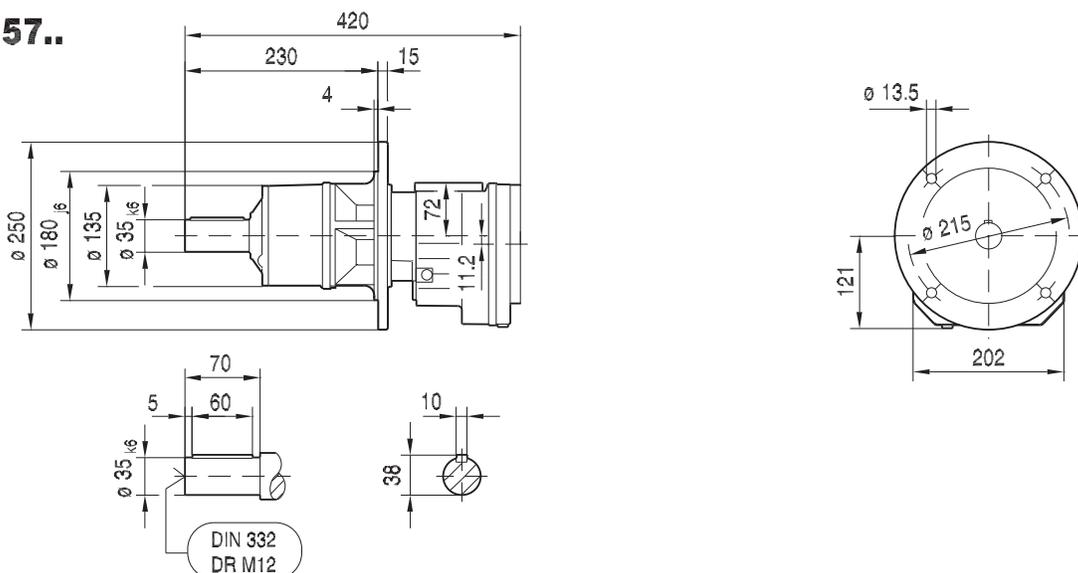
Dimensions in mm unless noted as inch. For all available output shaft diameters, see page 348. For tolerances, see page 163.

01 257 00 16

**RF57..**



**RM57..**



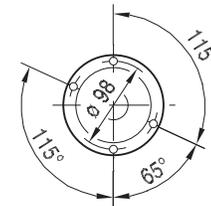
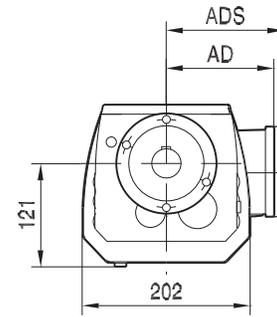
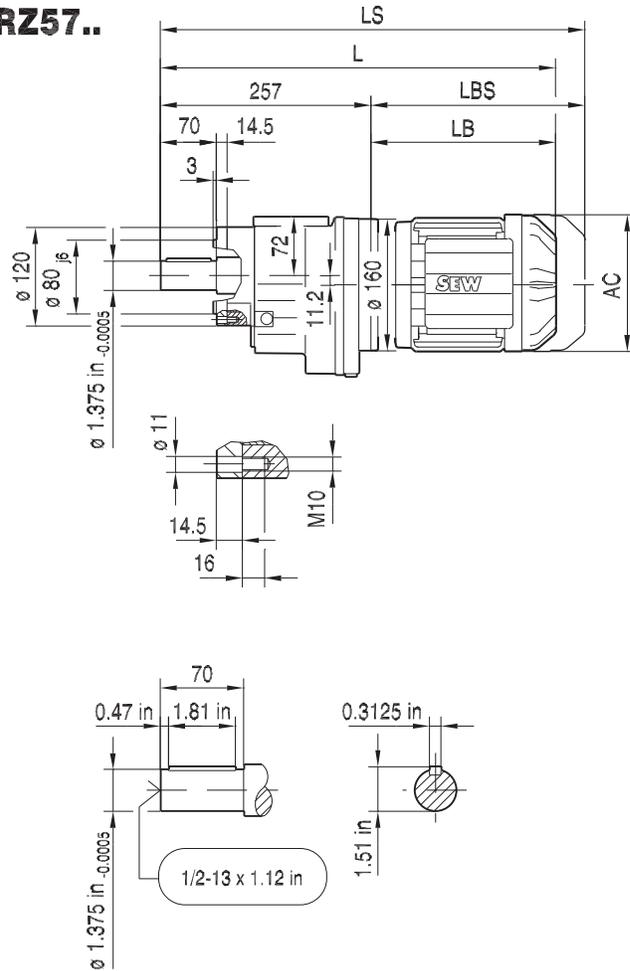
(→ 163)	DR63	DRS71S	DRS71M	DRN80M	DRN90S	DRN90L	DRN100L/LM	DRN112M	DRN132S	DRN132M
AC	132	139	139	156	179	179	197	221	221	261
AD	105	119	119	128	140	140	157	170	170	228
ADS	105	129	129	139	150	150	158	172	172	228
L	442	453	478	532	534	566	612	643	697	715
LS	497	521	546	613	627	659	706	755	809	853
LB	185	196	221	275	277	309	355	386	440	458
LBS	240	264	289	356	370	402	449	498	552	596

Dimensions in mm unless noted as inch. For all available output shaft diameters, see page 348. For tolerances, see page 163.

21933480/EN-US - 04/2018

**RZ57..**

01 258 00 16



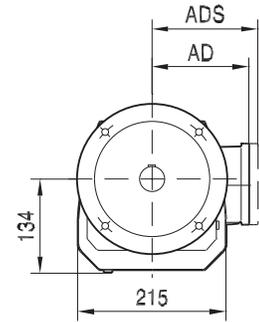
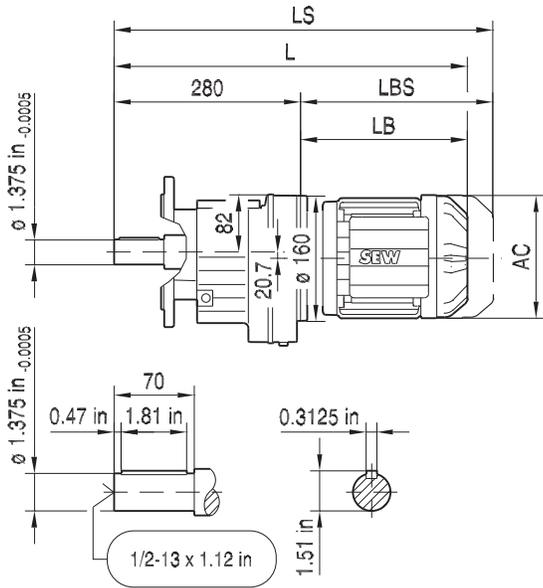
(→ 163)	DR63	DRS71S	DRS71M	DRN80M	DRN90S	DRN90L	DRN100L/LM	DRN112M	DRN132S	DRN132M
AC	132	139	139	156	179	179	197	221	221	261
AD	105	119	119	128	140	140	157	170	170	228
ADS	105	129	129	139	150	150	158	172	172	228
L	442	453	478	532	534	566	612	643	697	715
LS	497	521	546	613	627	659	706	755	809	853
LB	185	196	221	275	277	309	355	386	440	458
LBS	240	264	289	356	370	402	449	498	552	596

Dimensions in mm unless noted as inch. For all available output shaft diameters, see page 348. For tolerances, see page 163.

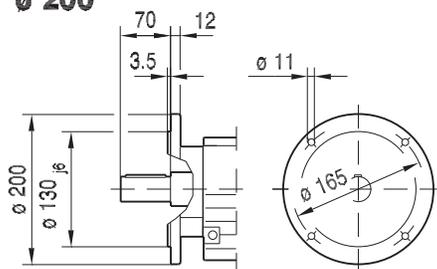


01 260 00 16

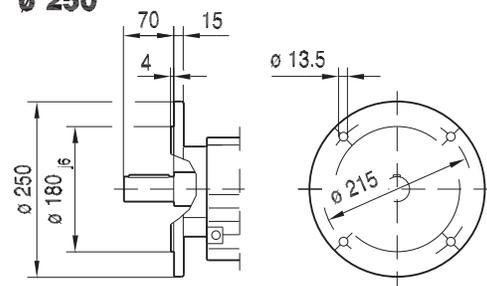
### RF67..



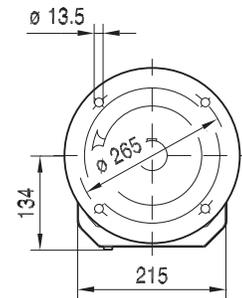
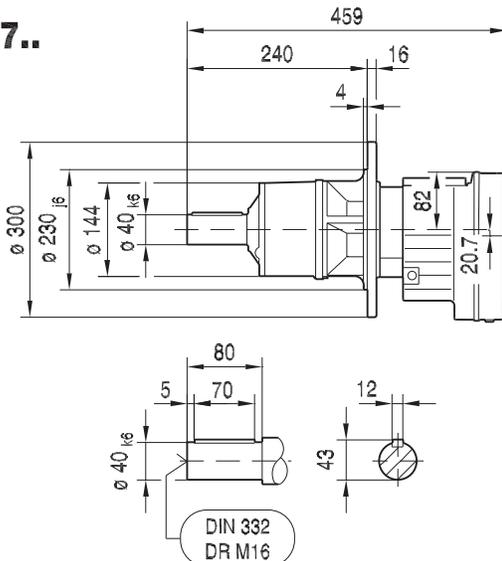
### ø 200



### ø 250



### RM67..



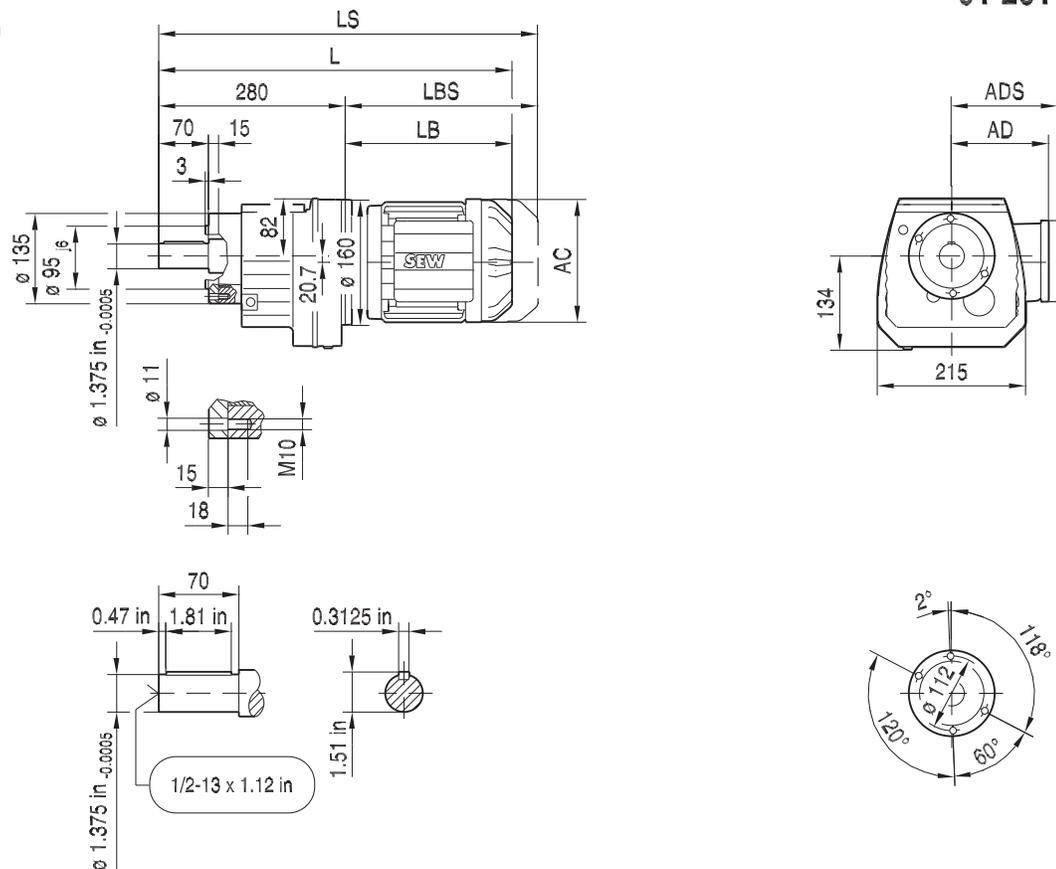
(→ 163)	DR63	DRS71S	DRS71M	DRN80M	DRN90S	DRN90L	DRN100L/LM	DRN112M	DRN132S	DRN132M
AC	132	139	139	156	179	179	197	221	221	261
AD	105	119	119	128	140	140	157	170	170	228
ADS	105	129	129	139	150	150	158	172	172	228
L	465	476	501	555	557	589	635	666	720	738
LS	520	544	569	636	650	682	729	778	832	876
LB	185	196	221	275	277	309	355	386	440	458
LBS	240	264	289	356	370	402	449	498	552	596

Dimensions in mm unless noted as inch. For all available output shaft diameters, see page 348. For tolerances, see page 163.

21933480/EN-US - 04/2018

RZ67..

01 261 00 16



8

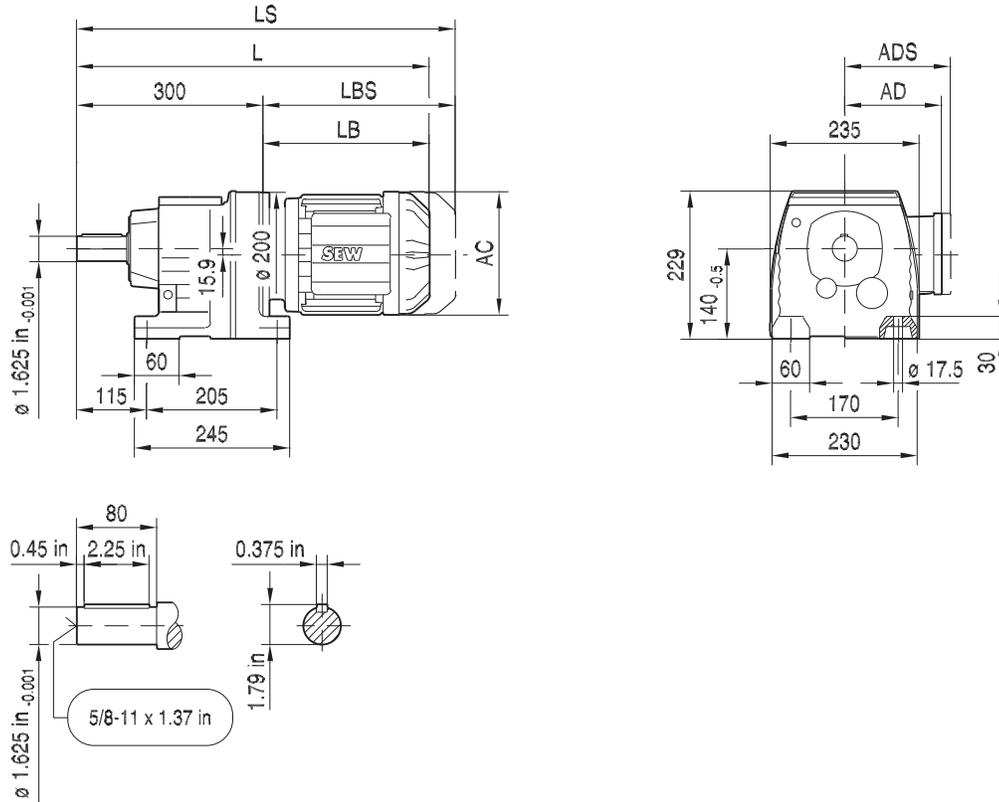
21933480/EN-US - 04/2018

(→ 163)	DR63	DRS71S	DRS71M	DRN80M	DRN90S	DRN90L	DRN100L/LM	DRN112M	DRN132S	DRN132M
AC	132	139	139	156	179	179	197	221	221	261
AD	105	119	119	128	140	140	157	170	170	228
ADS	105	129	129	139	150	150	158	172	172	228
L	465	476	501	555	557	589	635	666	720	738
LS	520	544	569	636	650	682	729	778	832	876
LB	185	196	221	275	277	309	355	386	440	458
LBS	240	264	289	356	370	402	449	498	552	596

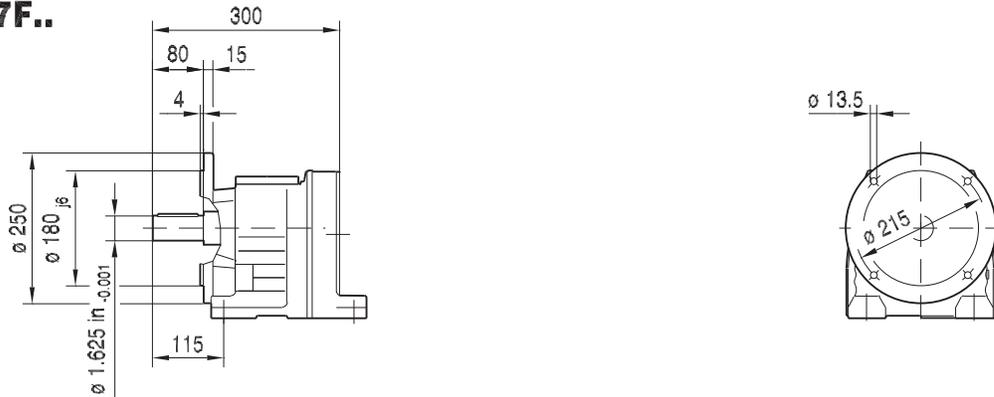
Dimensions in mm unless noted as inch. For all available output shaft diameters, see page 348. For tolerances, see page 163.

01 262 00 16

### R77..



### R77F..



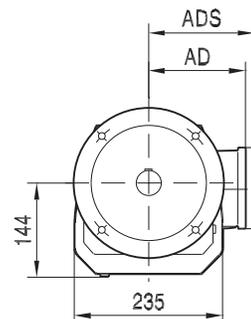
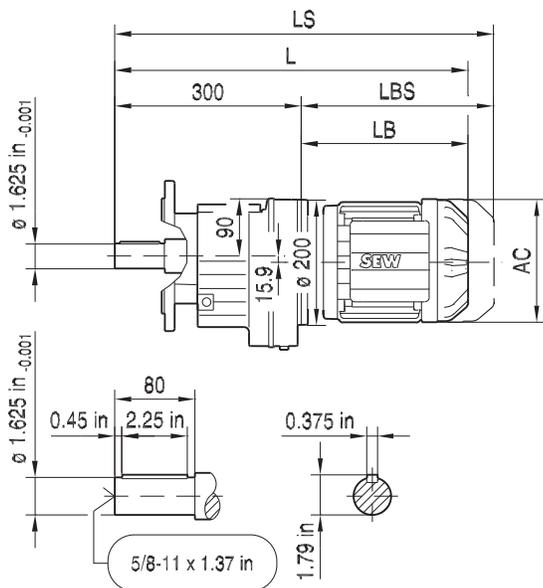
(→ 163)	DRN80M	DRN90S	DRN90L	DRN100L/LM	DRN112M	DRN132S	DRN132M	DRN132L	DRN160
AC	156	179	179	197	221	221	261	261	314
AD	128	140	140	157	170	170	228	228	253
ADS	139	150	150	158	172	172	228	228	253
L	568	570	602	648	679	729	747	773	839
LS	649	663	695	742	791	841	885	910	1028
LB	268	270	302	348	379	429	447	473	539
LBS	349	363	395	442	491	541	585	610	728

Dimensions in mm unless noted as inch. For all available output shaft diameters, see page 348. For tolerances, see page 163.

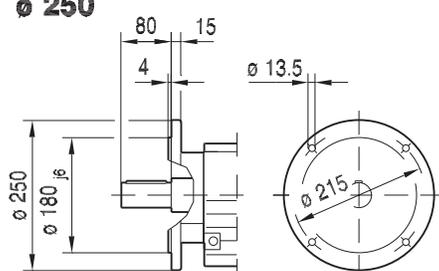
21933480/EN-US - 04/2018

01 263 00 16

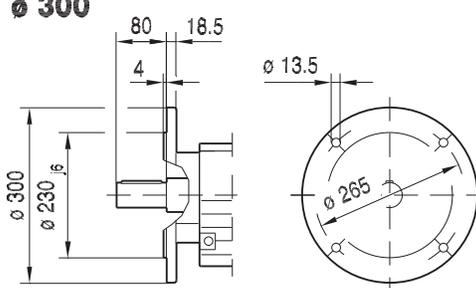
**RF77..**



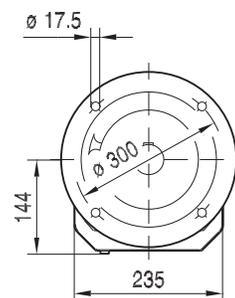
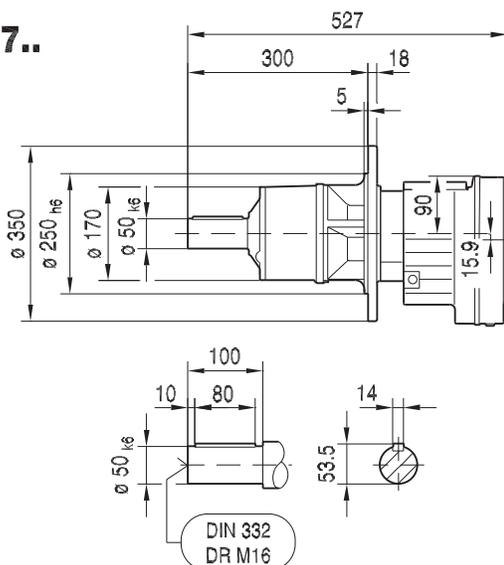
**∅ 250**



**∅ 300**



**RM77..**



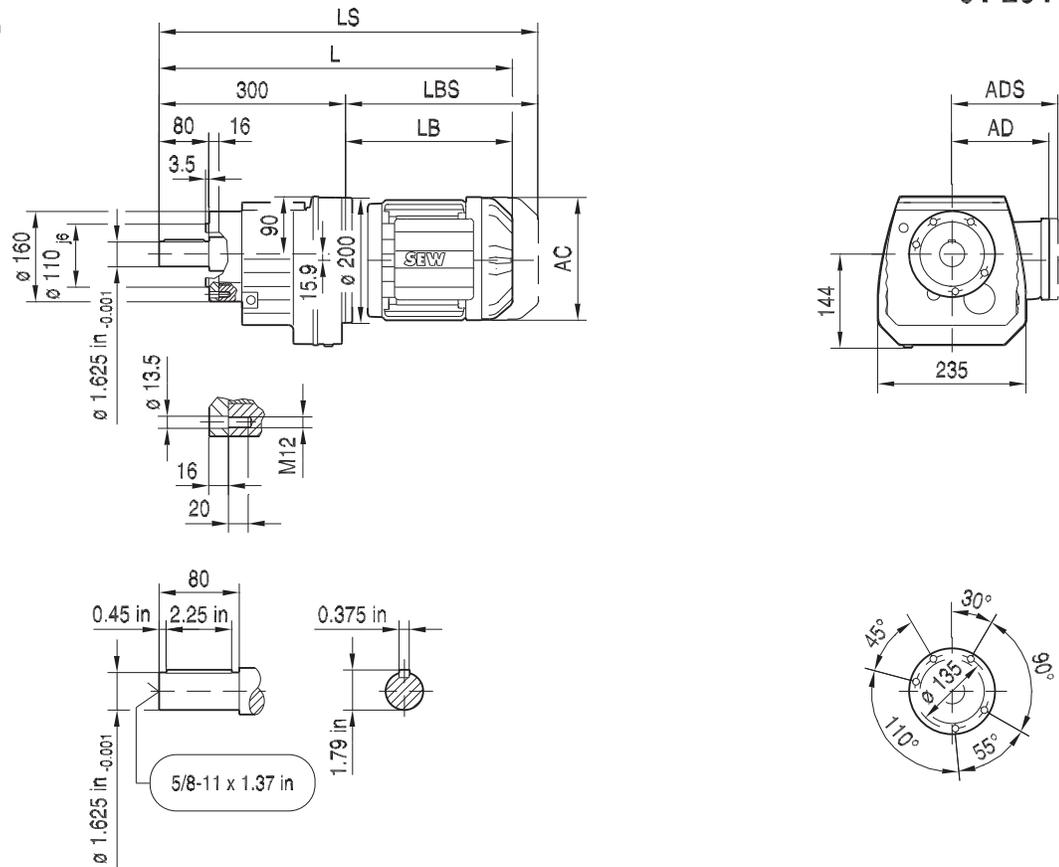
21933480/EN-US - 04/2018

(→ 163)	DRN80M	DRN90S	DRN90L	DRN100L/LM	DRN112M	DRN132S	DRN132M	DRN132L	DRN160
<b>AC</b>	156	179	179	197	221	221	261	261	314
<b>AD</b>	128	140	140	157	170	170	228	228	253
<b>ADS</b>	139	150	150	158	172	172	228	228	253
<b>L</b>	568	570	602	648	679	729	747	773	839
<b>LS</b>	649	663	695	742	791	841	885	910	1028
<b>LB</b>	268	270	302	348	379	429	447	473	539
<b>LBS</b>	349	363	395	442	491	541	585	610	728

Dimensions in mm unless noted as inch. For all available output shaft diameters, see page 348. For tolerances, see page 163.

### RZ77..

01 264 00 16



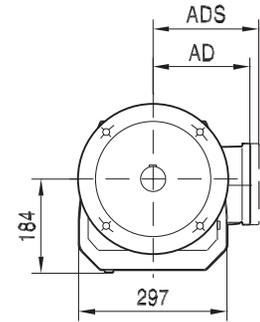
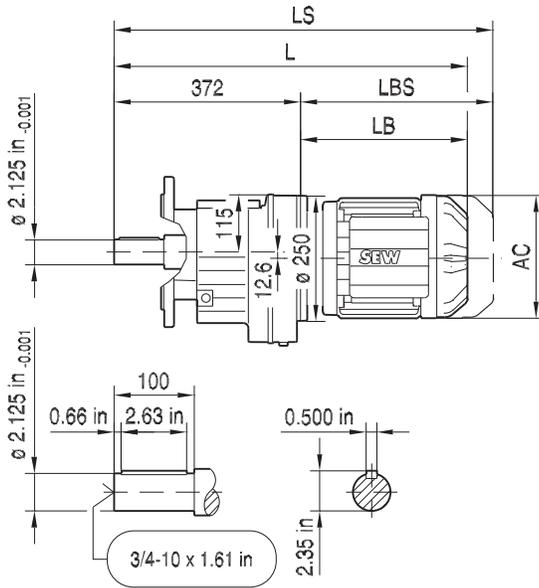
(→ 163)	DRN80M	DRN90S	DRN90L	DRN100L/LM	DRN112M	DRN132S	DRN132M	DRN132L	DRN160
AC	156	179	179	197	221	221	261	261	314
AD	128	140	140	157	170	170	228	228	253
ADS	139	150	150	158	172	172	228	228	253
L	568	570	602	648	679	729	747	773	839
LS	649	663	695	742	791	841	885	910	1028
LB	268	270	302	348	379	429	447	473	539
LBS	349	363	395	442	491	541	585	610	728

Dimensions in mm unless noted as inch. For all available output shaft diameters, see page 348. For tolerances, see page 163.

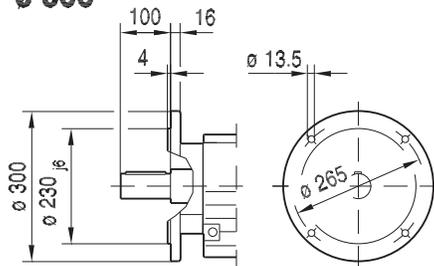


01 266 00 16

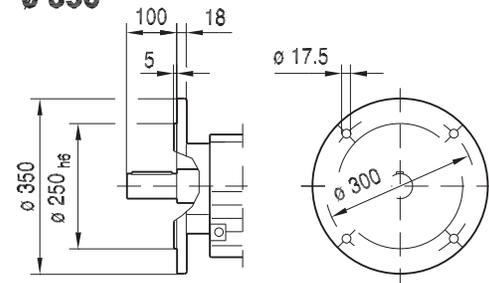
### RF87..



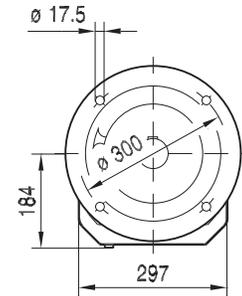
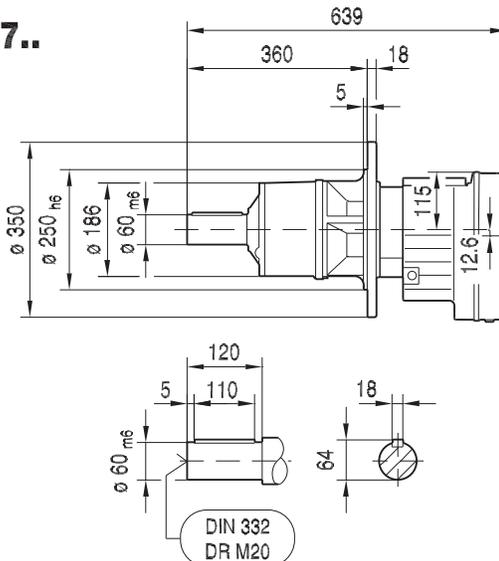
### Ø 300



### Ø 350



### RM87..



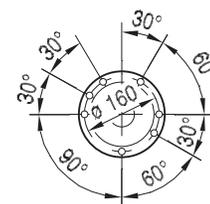
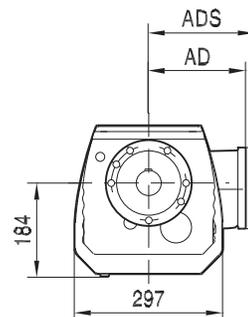
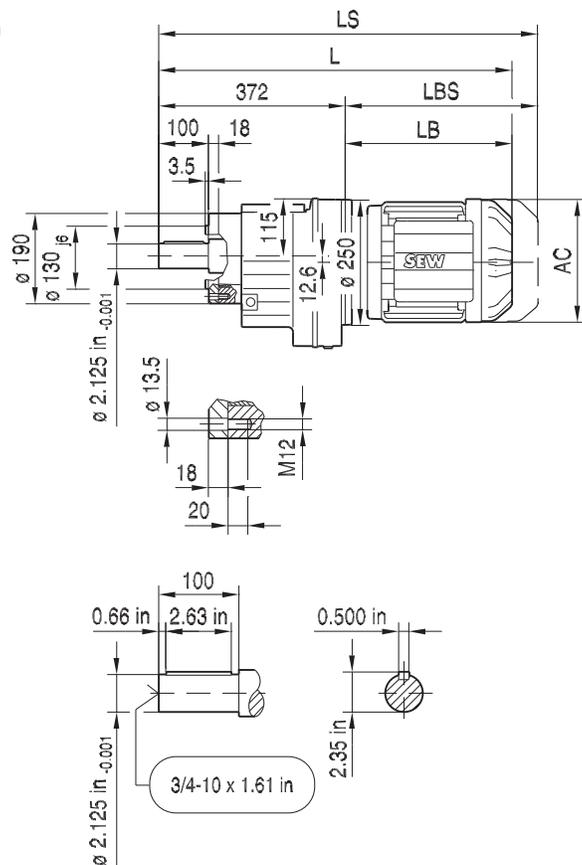
(→ 163)	DRN90S	DRN90L	DRN100L/LM	DRN112M	DRN132S	DRN132M	DRN132L	DRN160	DRN180
AC	179	179	197	221	221	261	261	314	357
AD	140	140	157	170	170	228	228	253	268
ADS	150	150	158	172	172	228	228	253	268
L	637	669	715	746	796	814	840	906	929
LS	730	762	809	858	908	952	977	1095	1118
LB	265	297	343	374	424	442	468	534	557
LBS	358	390	437	486	536	580	605	723	746

Dimensions in mm unless noted as inch. For all available output shaft diameters, see page 348. For tolerances, see page 163.

21933480/EN-US - 04/2018

RZ87..

01 267 00 16



8

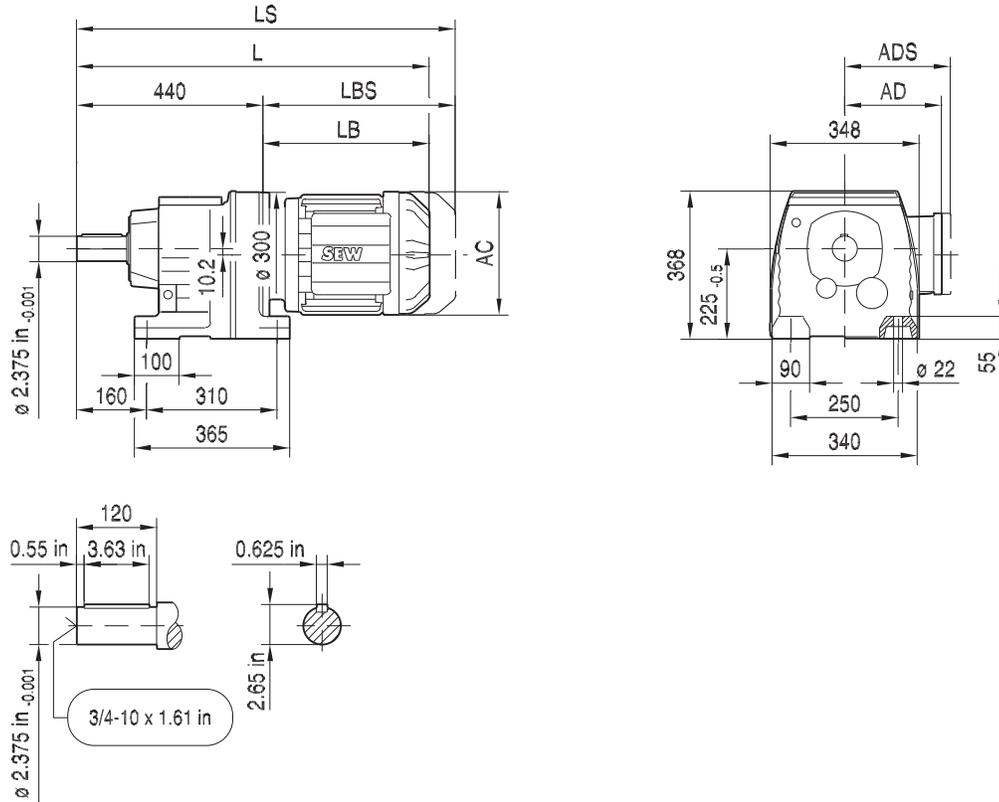
21933480/EN-US - 04/2018

(→ 163)	DRN90S	DRN90L	DRN100L/LM	DRN112M	DRN132S	DRN132M	DRN132L	DRN160	DRN180
AC	179	179	197	221	221	261	261	314	357
AD	140	140	157	170	170	228	228	253	268
ADS	150	150	158	172	172	228	228	253	268
L	637	669	715	746	796	814	840	906	929
LS	730	762	809	858	908	952	977	1095	1118
LB	265	297	343	374	424	442	468	534	557
LBS	358	390	437	486	536	580	605	723	746

Dimensions in mm unless noted as inch. For all available output shaft diameters, see page 348. For tolerances, see page 163.

01 268 00 16

R97..

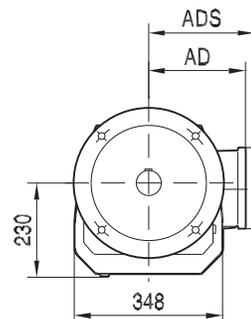
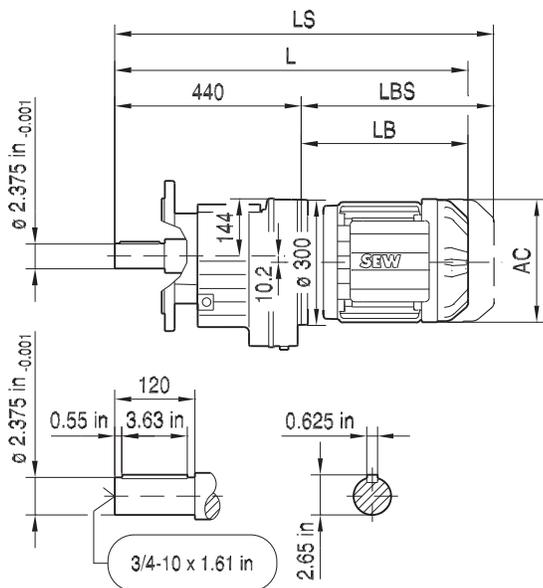


(→ 163)	DRN100L/LM	DRN112M	DRN132S	DRN132M	DRN132L	DRN160	DRN180	DRN200L	DRN225
<b>AC</b>	197	221	221	261	261	314	357	394	434
<b>AD</b>	157	170	170	228	228	253	268	283	305
<b>ADS</b>	158	172	172	228	228	253	268	283	305
<b>L</b>	778	809	859	877	903	969	992	1102	1076
<b>LS</b>	872	921	971	1015	1040	1158	1181	1307	1281
<b>LB</b>	338	369	419	437	463	529	552	662	636
<b>LBS</b>	432	481	531	575	600	718	741	867	841

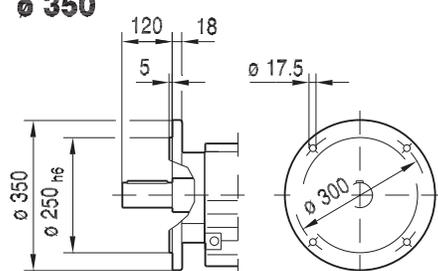
Dimensions in mm unless noted as inch. For all available output shaft diameters, see page 348. For tolerances, see page 163.

01 269 00 16

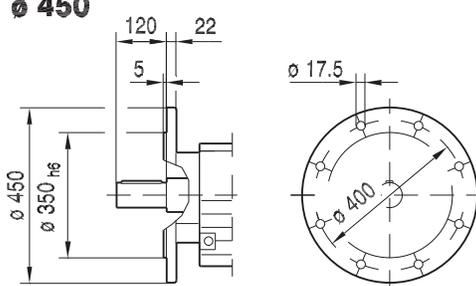
**RF97..**



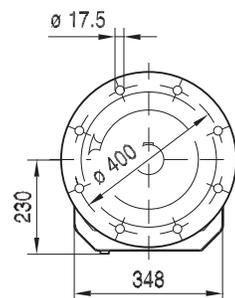
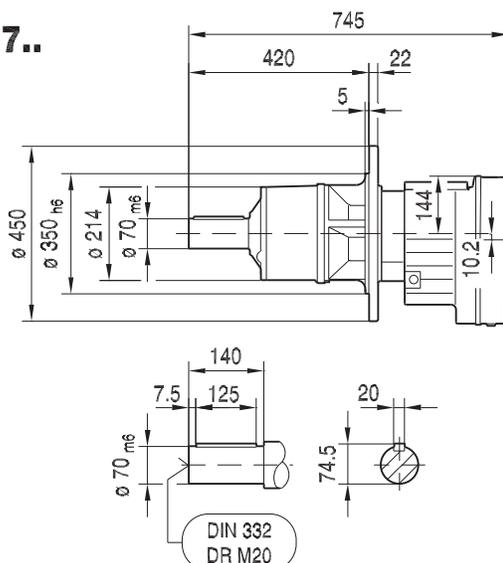
**ø 350**



**ø 450**



**RM97..**



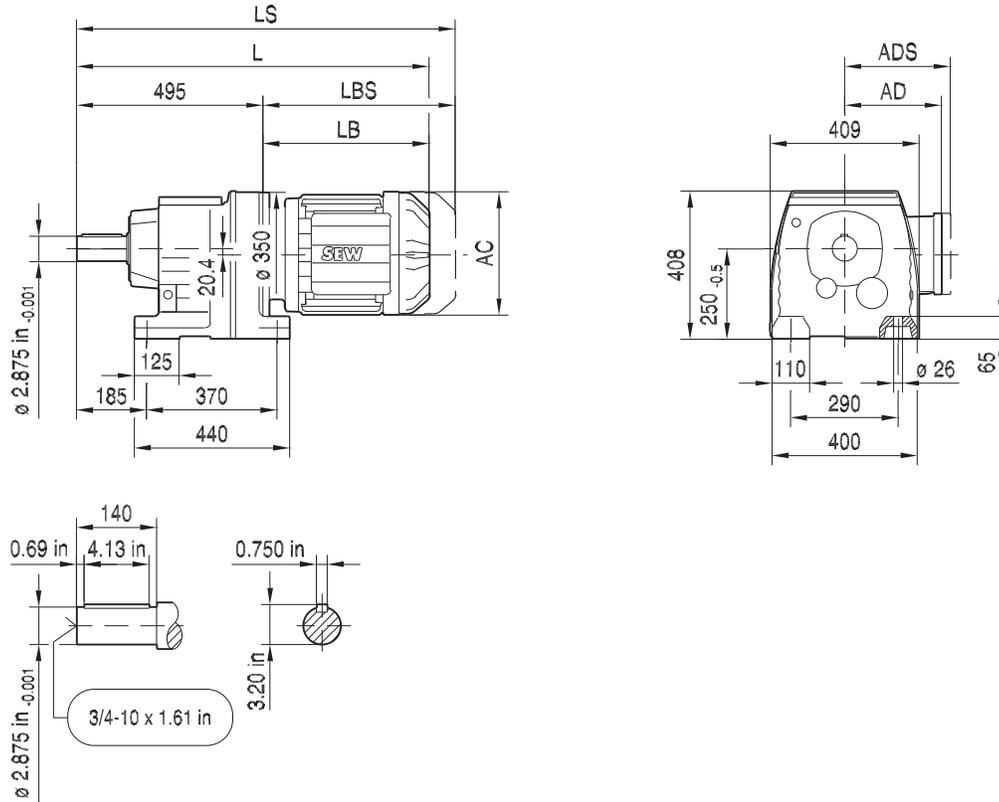
21933480/EN-US - 04/2018

(→ 163)	DRN100L/LM	DRN112M	DRN132S	DRN132M	DRN132L	DRN160	DRN180	DRN200L	DRN225
AC	197	221	221	261	261	314	357	394	434
AD	157	170	170	228	228	253	268	283	305
ADS	158	172	172	228	228	253	268	283	305
L	778	809	859	877	903	969	992	1102	1076
LS	872	921	971	1015	1040	1158	1181	1307	1281
LB	338	369	419	437	463	529	552	662	636
LBS	432	481	531	575	600	718	741	867	841

Dimensions in mm unless noted as inch. For all available output shaft diameters, see page 348. For tolerances, see page 163.

01 270 00 16<sup>L</sup>

### R107..

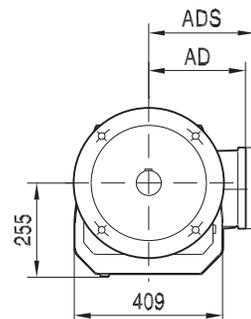
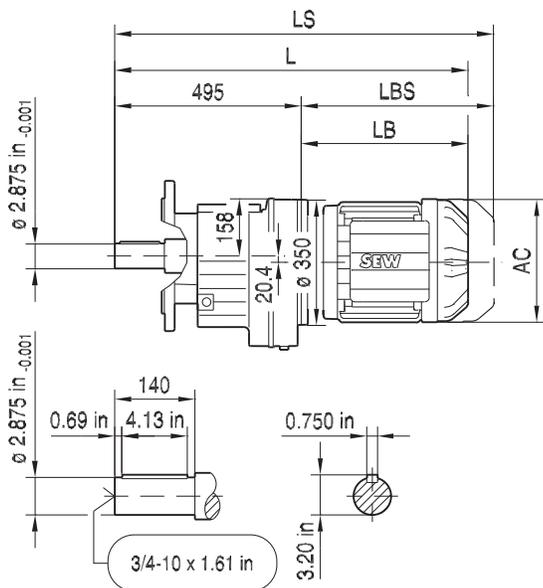


(→ 163)	DRN100L/LM	DRN112M	DRN132S	DRN132M	DRN132L	DRN160	DRN180	DRN200L	DRN225
<b>AC</b>	197	221	221	261	261	314	357	394	434
<b>AD</b>	157	170	170	228	228	253	268	283	305
<b>ADS</b>	158	172	172	228	228	253	268	283	305
<b>L</b>	827	858	908	926	952	1018	1041	1151	1125
<b>LS</b>	921	970	1020	1064	1089	1207	1230	1356	1330
<b>LB</b>	332	363	413	431	457	523	546	656	630
<b>LBS</b>	426	475	525	569	594	712	735	861	835

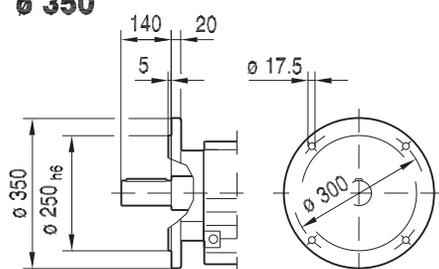
Dimensions in mm unless noted as inch. For all available output shaft diameters, see page 348. For tolerances, see page 163.

01 271 00 16

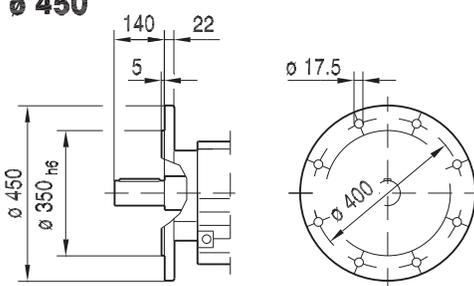
**RF107..**



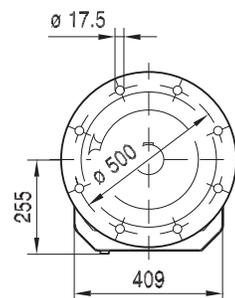
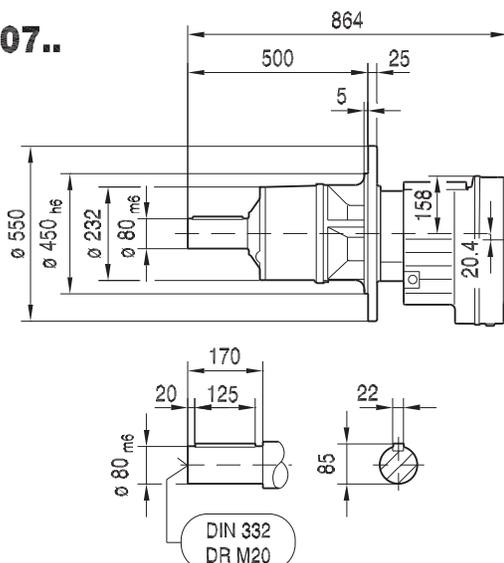
**∅ 350**



**∅ 450**



**RM107..**



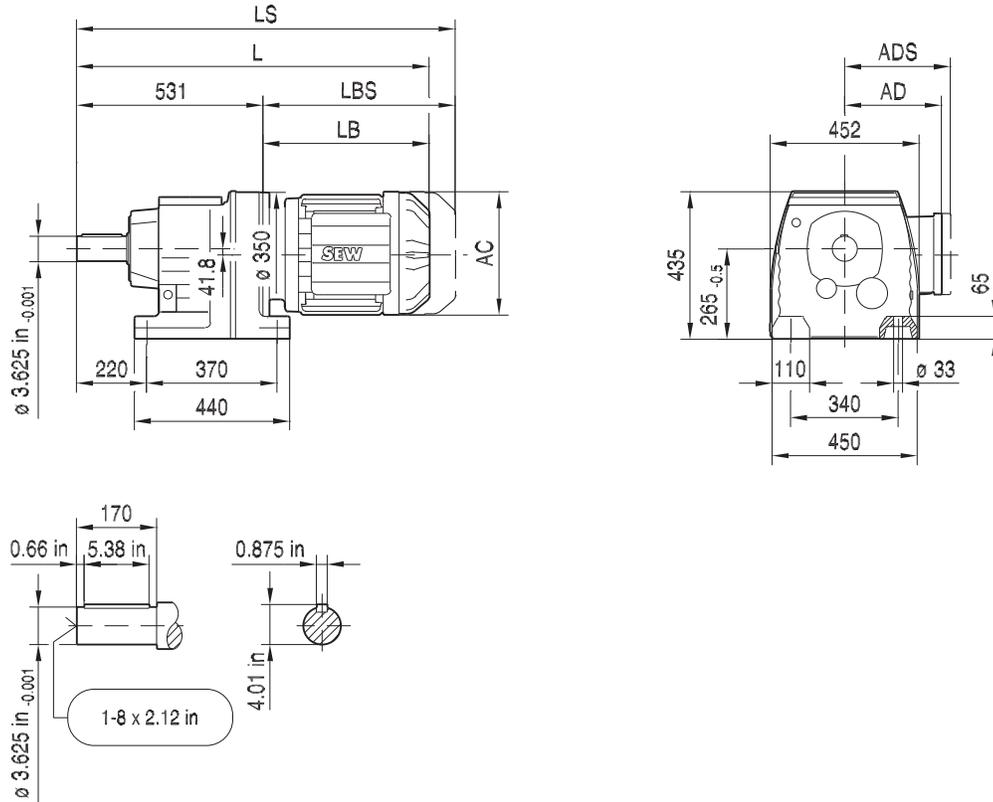
21933480/EN-US - 04/2018

(→ 163)	DRN100L/LM	DRN112M	DRN132S	DRN132M	DRN132L	DRN160	DRN180	DRN200L	DRN225
<b>AC</b>	197	221	221	261	261	314	357	394	434
<b>AD</b>	157	170	170	228	228	253	268	283	305
<b>ADS</b>	158	172	172	228	228	253	268	283	305
<b>L</b>	827	858	908	926	952	1018	1041	1151	1125
<b>LS</b>	921	970	1020	1064	1089	1207	1230	1356	1330
<b>LB</b>	332	363	413	431	457	523	546	656	630
<b>LBS</b>	426	475	525	569	594	712	735	861	835

Dimensions in mm unless noted as inch. For all available output shaft diameters, see page 348. For tolerances, see page 163.

01 272 00 16

R127..

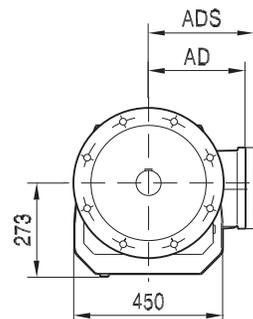
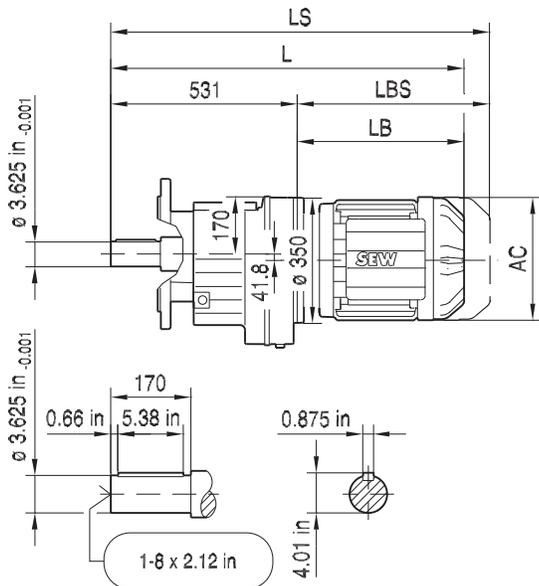


(→ 163)	DRN100L/LM	DRN112M	DRN132S	DRN132M	DRN132L	DRN160	DRN180	DRN200L	DRN225	DRN250M
AC	197	221	221	261	261	314	357	394	434	495
AD	157	170	170	228	228	253	268	283	305	394
ADS	158	172	172	228	228	253	268	283	305	394
L	863	894	944	962	988	1054	1077	1187	1161	1298
LS	957	1006	1056	1100	1125	1243	1266	1392	1366	1538
LB	332	363	413	431	457	523	546	656	630	767
LBS	426	475	525	569	594	712	735	861	835	1007

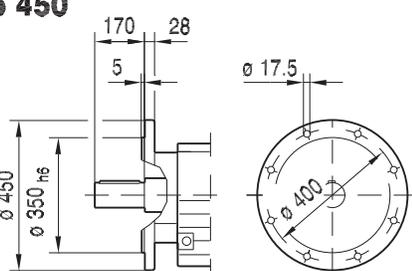
Dimensions in mm unless noted as inch. For all available output shaft diameters, see page 348. For tolerances, see page 163.

01 273 00 16

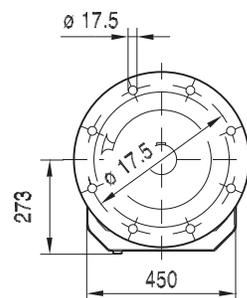
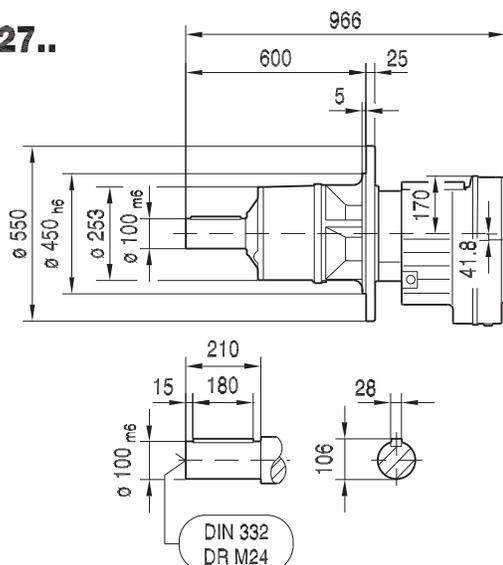
**RF127..**



**ø 450**



**RM127..**



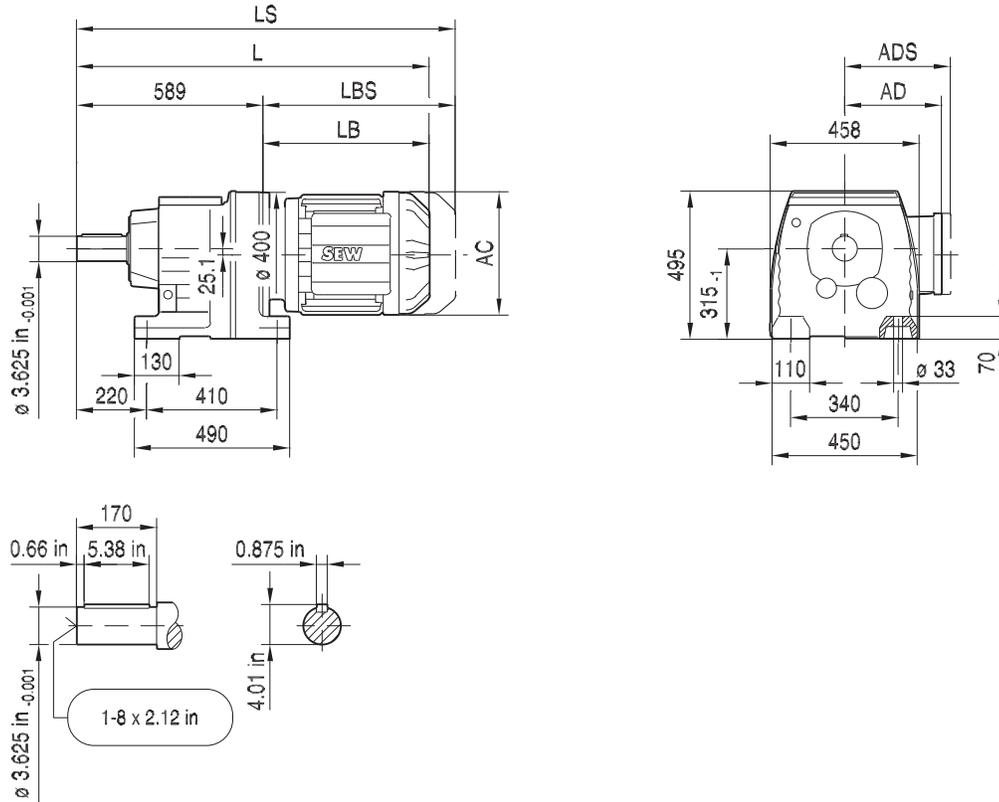
21933480/EN-US - 04/2018

(→ 163)	DRN100L/LM	DRN112M	DRN132S	DRN132M	DRN132L	DRN160	DRN180	DRN200L	DRN225	DRN250M
AC	197	221	221	261	261	314	357	394	434	495
AD	157	170	170	228	228	253	268	283	305	394
ADS	158	172	172	228	228	253	268	283	305	394
L	863	894	944	962	988	1054	1077	1187	1161	1298
LS	957	1006	1056	1100	1125	1243	1266	1392	1366	1538
LB	332	363	413	431	457	523	546	656	630	767
LBS	426	475	525	569	594	712	735	861	835	1007

Dimensions in mm unless noted as inch. For all available output shaft diameters, see page 348. For tolerances, see page 163.

01 274 00 16

### R137..

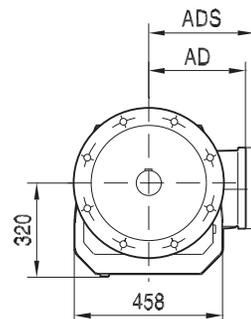
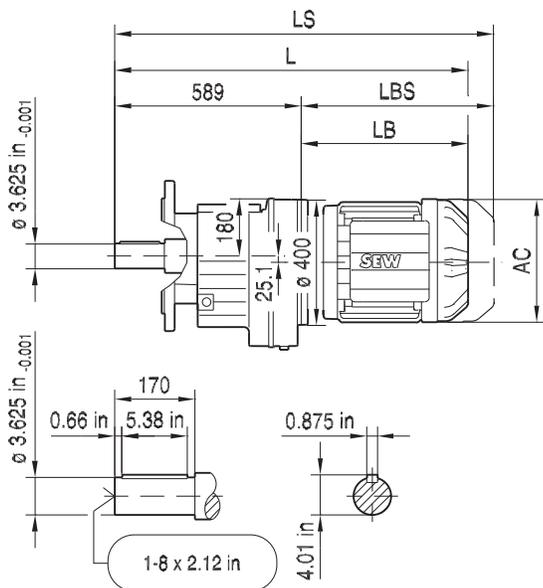


(→ 163)	DRN132S	DRN132M	DRN132L	DRN160	DRN180	DRN200L	DRN225	DRN250M	DRN280S	DRN280M
AC	221	261	261	314	357	394	434	495	495	495
AD	170	228	228	253	268	283	305	394	394	394
ADS	172	228	228	253	268	283	305	394	394	394
L	995	1013	1039	1105	1128	1238	1212	1349	1349	1444
LS	1107	1151	1176	1294	1317	1443	1417	1589	1589	1684
LB	406	424	450	516	539	649	623	760	760	855
LBS	518	562	587	705	728	854	828	1000	1000	1095

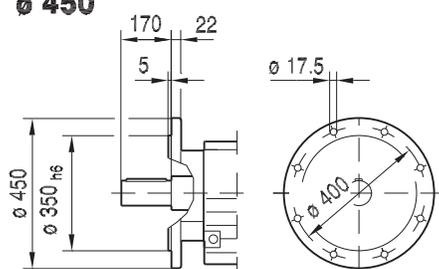
Dimensions in mm unless noted as inch. For all available output shaft diameters, see page 348. For tolerances, see page 163.

01 275 00 16

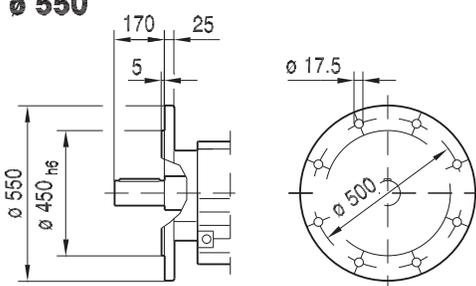
**RF137..**



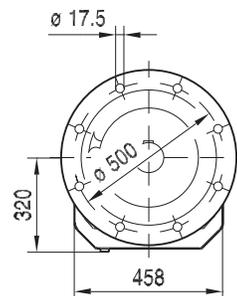
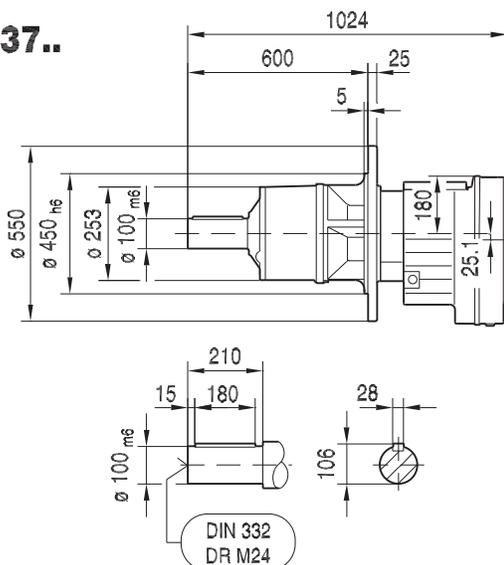
**ø 450**



**ø 550**



**RM137..**



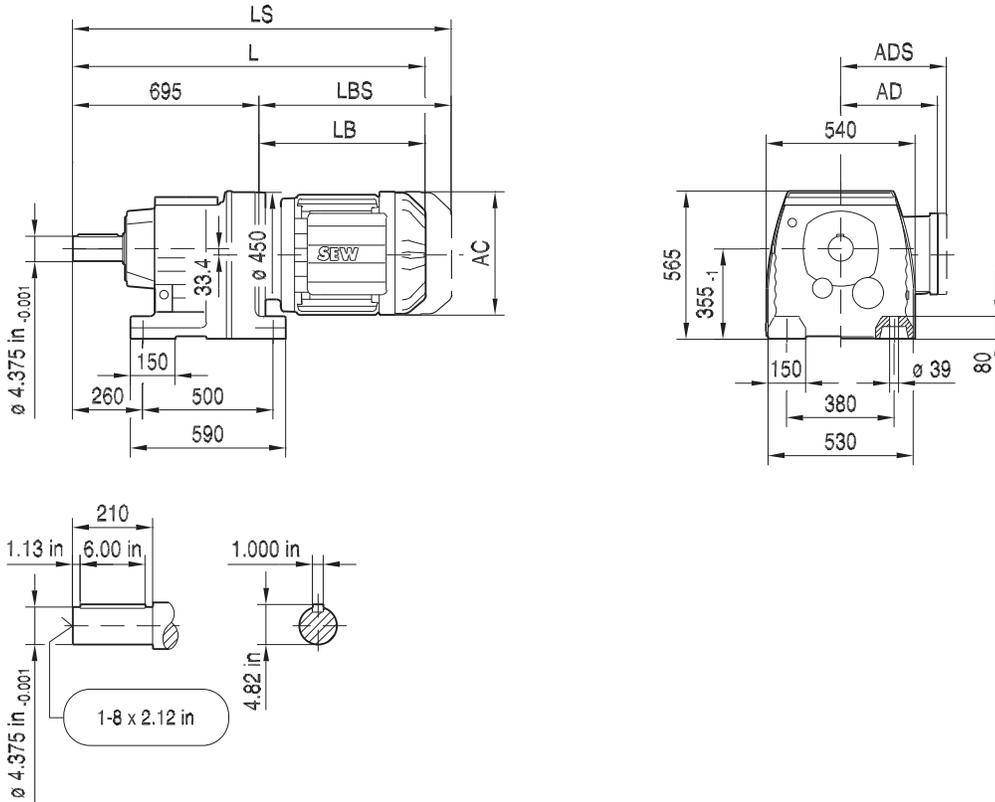
21933480/EN-US - 04/2018

(→ 163)	DRN132S	DRN132M	DRN132L	DRN160	DRN180	DRN200L	DRN225	DRN250M	DRN280S	DRN280M
AC	221	261	261	314	357	394	434	495	495	495
AD	170	228	228	253	268	283	305	394	394	394
ADS	172	228	228	253	268	283	305	394	394	394
L	995	1013	1039	1105	1128	1238	1212	1349	1349	1444
LS	1107	1151	1176	1294	1317	1443	1417	1589	1589	1684
LB	406	424	450	516	539	649	623	760	760	855
LBS	518	562	587	705	728	854	828	1000	1000	1095

Dimensions in mm unless noted as inch. For all available output shaft diameters, see page 348. For tolerances, see page 163.

01 276 00 16

### R147..



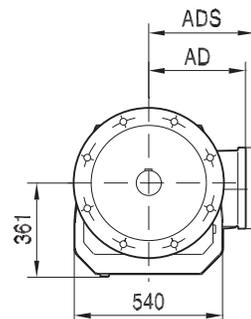
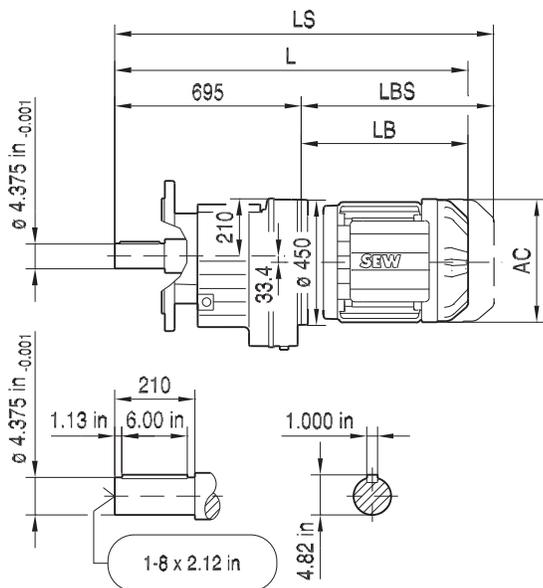
(→ 163)	DRN132L	DRN160	DRN180	DRN200L	DRN225	DRN250M	DRN280S	DRN280M
AC	261	314	357	394	434	495	495	495
AD	228	253	268	283	305	394	394	394
ADS	228	253	268	283	305	394	394	394
L	1137	1203	1226	1336	1310	1447	1447	1542
LS	1274	1392	1415	1541	1515	1687	1687	1782
LB	442	508	531	641	615	752	752	847
LBS	579	697	720	846	820	992	992	1087

Dimensions in mm unless noted as inch. For all available output shaft diameters, see page 348. For tolerances, see page 163.

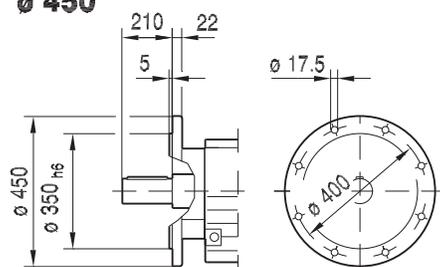
21933480/EN-US - 04/2018

01 277 00 16

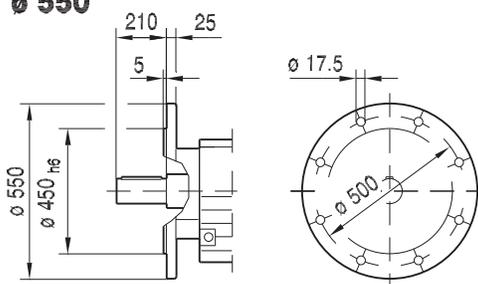
**RF147..**



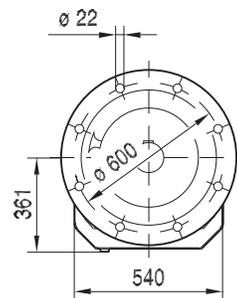
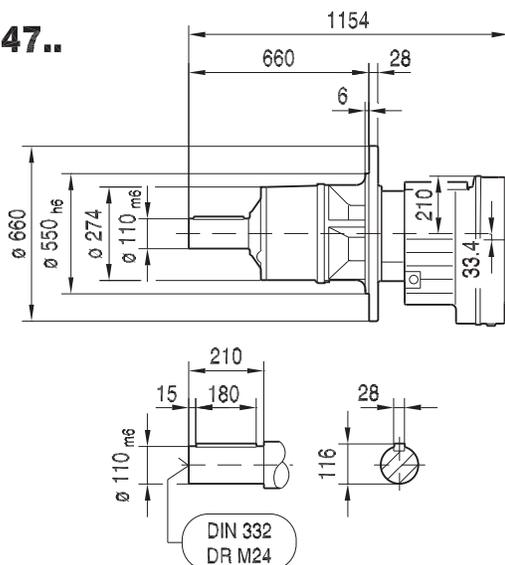
**Ø 450**



**Ø 550**



**RM147..**



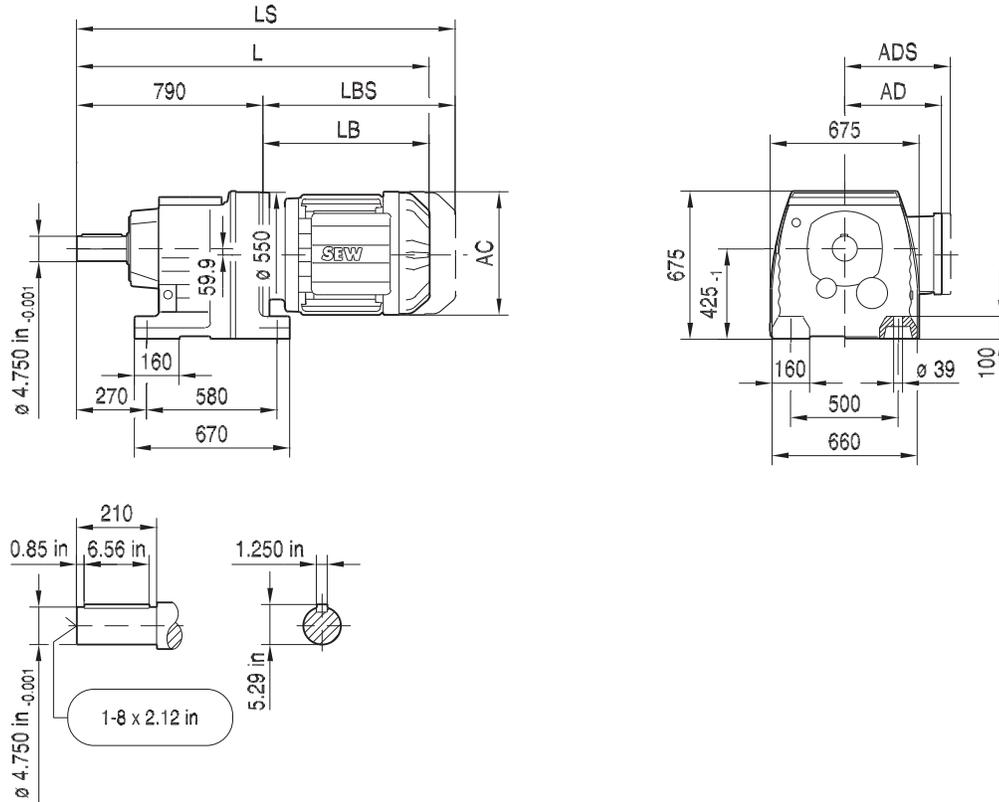
21933480/EN-US - 04/2018

(→ 163)	DRN132L	DRN160	DRN180	DRN200L	DRN225	DRN250M	DRN280S	DRN280M
AC	261	314	357	394	434	495	495	495
AD	228	253	268	283	305	394	394	394
ADS	228	253	268	283	305	394	394	394
L	1137	1203	1226	1336	1310	1447	1447	1542
LS	1274	1392	1415	1541	1515	1687	1687	1782
LB	442	508	531	641	615	752	752	847
LBS	579	697	720	846	820	992	992	1087

Dimensions in mm unless noted as inch. For all available output shaft diameters, see page 348. For tolerances, see page 163.

01 278 00 16

### R167..

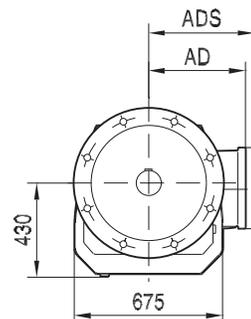
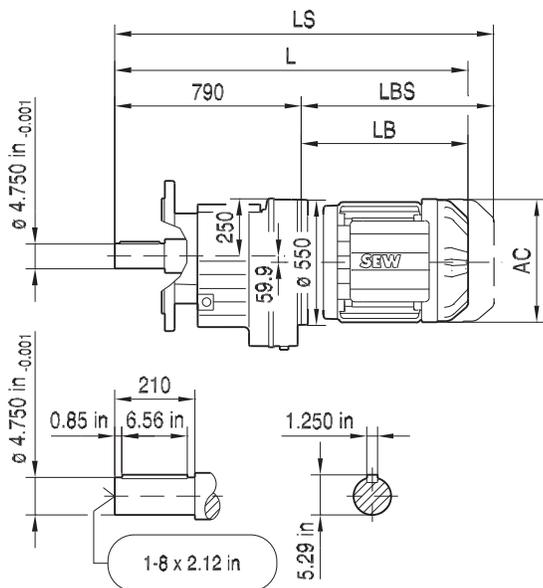


(→ 163)	DRN160	DRN180	DRN200L	DRN225	DRN250M	DRN280S	DRN280M	DRN315S/M	DRN315ME/H
AC	314	357	394	434	495	495	495	624	624
AD	253	268	283	305	394	394	394	506	506
ADS	253	268	283	305	394	394	394	506	506
L	1290	1313	1423	1397	1534	1534	1629	1731	1861
LS	1479	1502	1628	1602	1774	1774	1869	1982	2112
LB	500	523	633	607	744	744	839	941	1071
LBS	689	712	838	812	984	984	1079	1192	1322

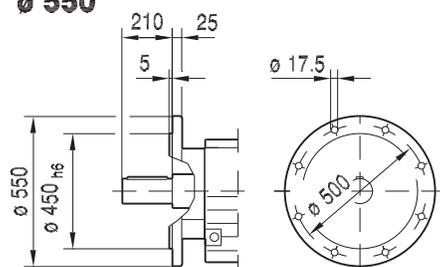
Dimensions in mm unless noted as inch. For all available output shaft diameters, see page 348. For tolerances, see page 163.

01 279 00 16

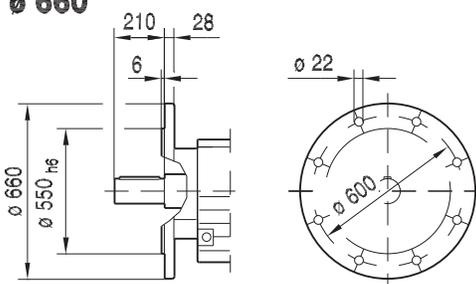
**RF167..**



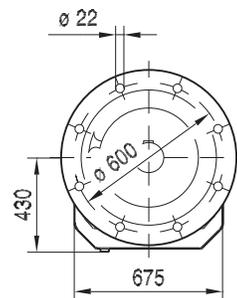
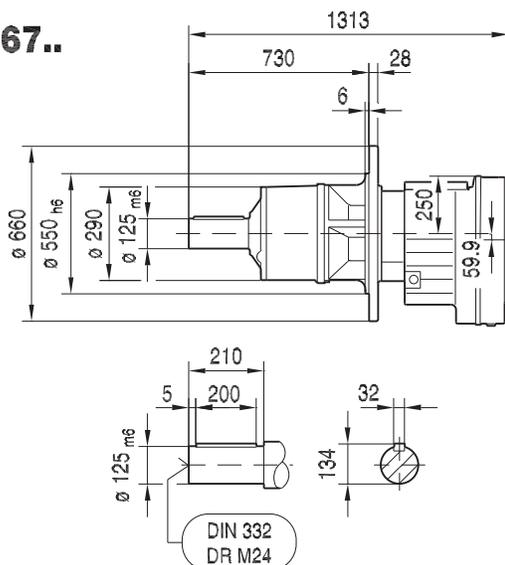
**Ø 550**



**Ø 660**



**RM167..**



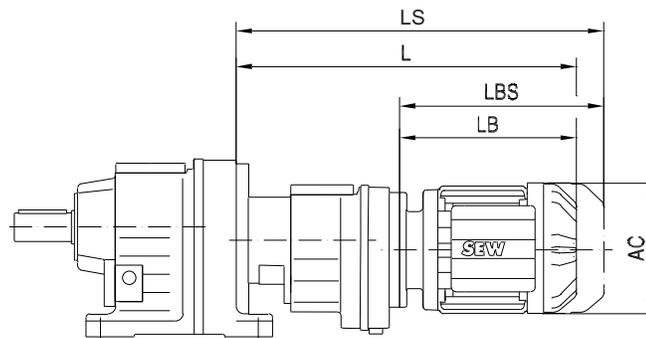
21933480/EN-US - 04/2018

(→ 163)	DRN160	DRN180	DRN200L	DRN225	DRN250M	DRN280S	DRN280M	DRN315S/M	DRN315ME/H
AC	314	357	394	434	495	495	495	624	624
AD	253	268	283	305	394	394	394	506	506
ADS	253	268	283	305	394	394	394	506	506
L	1290	1313	1423	1397	1534	1534	1629	1731	1861
LS	1479	1502	1628	1602	1774	1774	1869	1982	2112
LB	500	523	633	607	744	744	839	941	1071
LBS	689	712	838	812	984	984	1079	1192	1322

Dimensions in mm unless noted as inch. For all available output shaft diameters, see page 348. For tolerances, see page 163.

## 8.6 R.. R.. DRS/DRN.. Compound dimensions

01 131 00 06



(All dimensions in mm)

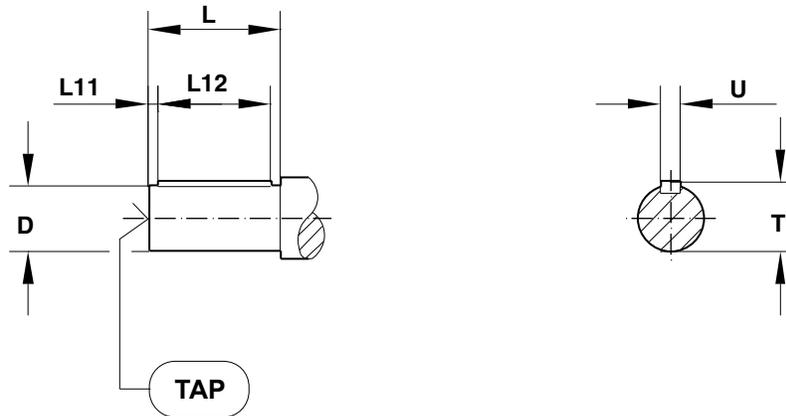
Gear	Motor	AC	L	LS	LB	LBS
R..27R17	DR63	132	324	379	149	204
	DRS71S	139	335	403	160	228
R..37R17	DR63	132	324	379	149	204
	DRS71S	139	335	403	160	228
R..47R37	DR63	132	356	411	191	246
	DRS71S	139	367	434	202	269
	DRS71M	139	392	459	227	294
	DRN80M	156	447	527	282	362
R..57R37	DR63	132	356	411	191	246
	DRS71S	139	367	434	202	269
	DRS71M	139	392	459	227	294
R..67R37	DRN80M	156	447	527	282	362
	DR63	132	356	411	191	246
	DRS71S	139	367	434	202	269
	DRS71M	139	392	459	227	294
R..77R37	DRN80M	156	446	527	281	362
	DRN90S	179	447	541	282	376
	DR63	132	348	403	191	246
	DRS71S	139	359	426	202	269
R..87R57	DRS71M	139	384	451	227	294
	DRN80M	156	438	519	281	362
	DRN90S	179	440	553	283	376
	DR63	132	412	467	185	240
	DRS71S	139	423	491	196	264
R..97R57	DRS71M	139	448	516	221	289
	DRN80M	156	502	583	275	356
	DRN90S	179	504	597	277	370
	DRN90L	179	536	629	309	402
	DRN100LM	197	582	676	355	449
	DR63	132	407	462	185	240
	DRS71S	139	418	486	196	264
	DRS71M	139	443	511	221	289
R..107R77	DRN80M	156	497	578	275	356
	DRN90S	179	499	592	277	370
	DRN90L	179	531	624	309	402
	DRN100L	197	578	671	355	448
	DRN100LM	197	578	671	355	448
	DR63	132	481	473	178	233
	DRS71S	139	429	497	189	257
	DRS71M	139	454	522	214	282
R..127R77	DRN80M	156	508	589	268	349
	DRN90S	179	510	603	270	363
	DRN90L	179	542	635	302	395
	DRN100L	197	588	681	348	441
	DRN100LM	197	588	681	348	441
	DRN112M	221	619	731	379	491
	DRN132S	221	669	781	429	541
	DRN132M	261	685	824	445	584
	DRN132L	261	710	849	470	609
	DRN160M	314	822	1011	575	764
R..137R77	DR63	132	481	473	178	233
	DRS71S	139	429	497	189	257
	DRS71M	139	454	522	214	282
	DRN80M	156	508	589	268	349
	DRN90S	179	510	603	270	363
	DRN90L	179	542	635	302	395
	DRN100L	197	588	681	348	441
	DRN100LM	197	588	681	348	441
	DRN112M	221	619	731	379	491
	DRN132S	221	669	781	429	541

Gear	Motor	AC	L	LS	LB	LBS
R..107R77	DR63	132	425	480	178	233
	DRS71S	139	436	504	189	257
	DRS71M	139	461	529	214	282
	DRN80M	156	515	596	268	349
	DRN90S	179	517	610	270	363
	DRN90L	179	549	642	302	395
	DRN100L	197	595	688	348	441
	DRN100LM	197	595	688	348	441
	DRN112M	221	626	738	379	491
	DRN132S	221	676	788	429	541
R..127R77	DR63	168	461	516	214	269
	DRS71S	175	472	540	225	293
	DRS71M	175	497	565	250	318
	DRN80M	192	551	632	304	385
	DRN90S	215	553	646	306	399
	DRN90L	215	585	678	338	431
	DRN100L	233	631	724	384	477
	DRN100LM	233	631	724	384	477
	DRN112M	257	662	774	415	527
	DRN132S	257	712	824	465	577
R..137R77	DRN132M	261	730	868	483	621
	DRN160M	314	822	1011	575	764
	DR63	132	481	473	178	233
	DRS71S	139	429	497	189	257
	DRS71M	139	454	522	214	282
	DRN80M	156	508	589	268	349
	DRN90S	179	510	603	270	363
	DRN90L	179	542	635	302	395
	DRN100L	197	588	681	348	441
	DRN100LM	197	588	681	348	441

Gear	Motor	AC	L	LS	LB	LBS
R..147R77	DRS71S	139	421	489	189	257
	DRS71M	139	446	514	214	282
	DRN80M	156	500	581	268	349
	DRN90S	179	502	595	270	363
	DRN90L	179	534	627	302	395
	DRN100L	197	580	673	348	441
	DRN100LM	197	580	673	348	441
	DRN112M	221	611	723	379	491
	DRN132S	221	661	773	429	541
DRN132M	261	679	817	447	585	
R..147R87	DRN90L	179	577	670	297	390
	DRN100L	197	623	716	343	436
	DRN100LM	197	623	716	343	436
	DRN112M	221	654	766	379	486
	DRN132S	221	704	816	424	536
	DRN132M	261	720	859	440	579
	DRN132L	261	745	884	465	604
	DRN160M	314	814	1003	534	723
DRN160L	314	814	1003	534	723	
R..167R97	DRS71M	139	529	597	204	272
	DRN80M	156	583	664	258	339
	DRN90S	179	585	678	260	353
	DRN90L	179	617	710	292	385
	DRN100L	197	663	756	338	431
	DRN100LM	197	663	756	338	431
	DRN112M	221	694	806	369	481
	DRN132S	221	744	856	419	531
	DRN132M	261	760	899	435	574
	DRN132L	261	785	924	460	599
	DRN160M	314	854	1043	529	718
DRN160L	314	854	1043	529	718	
R..167R107	DRN100L	197	714	807	332	425
	DRN100LM	197	714	807	332	425
	DRN112M	221	745	857	363	475
	DRN132S	221	795	907	413	525
	DRN132M	261	811	950	429	568
	DRN132L	261	836	975	454	593
	DRN160M	314	905	1094	523	712
	DRN160L	314	905	1094	523	712
	DRN180M	357	930	1119	548	737
	DRN180L	357	930	1119	548	737

## 8.7 Output shaft sizes

## 8.7.1 Solid Shafts – Inch

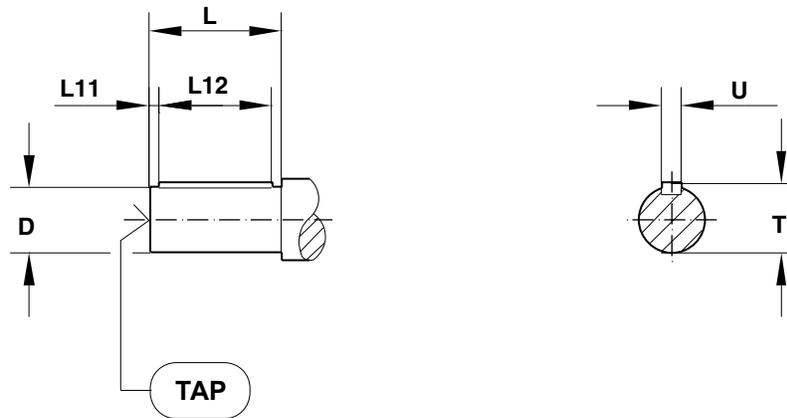


Model	All dimensions in inches							
	D	T	U	L <sup>1</sup>	L11	L12	TAP	Change <sup>2</sup>
R..17	0.75	0.83	3/16	1.57	0.25	1-1/16	1/4 - 20 x 0.63	0
R..27	1.00	1.11	1/4	1.97	0.26	1-5/16	3/8 - 16 x 0.87	0
R..37	1.00	1.11	1/4	1.97	0.26	1-5/16	3/8 - 16 x 0.87	0
R..47	1.25	1.36	1/4	2.36	0.26	1-11/16	1/2 - 13 x 1.12	0
R..57	1.25	1.36	1/4	2.36	0.28	1-11/16	1/2 - 13 x 1.12	-0.4
	1.375	1.51	5/16	2.76	0.43	1-13/16	1/2 - 13 x 1.12	0
R..67	1.375	1.51	5/16	2.76	0.43	1-13/16	1/2 - 13 x 1.12	0
R..77	1.625	1.79	3/8	3.15	0.38	2-1/4	5/8 - 11 x 1.38	0
R..87	2.125	2.35	1/2	3.94	0.64	2-5/8	3/4 - 10 x 1.61	0
R..97	2.375	2.65	5/8	4.72	0.51	3-5/8	3/4 - 10 x 1.61	0
R..107	2.875	3.2	3/4	5.51	0.67	4-1/8	3/4 - 10 x 1.61	0
R..137	3.625	4.01	7/8	6.69	0.63	5-3/8	1 - 8 x 2.13	0
R..147	4.375	4.82	1	8.27	1.09	6	1 - 8 x 2.13	0
R..167	4.75	5.29	1-1/4	8.27	0.82	6-9/16	1 - 8 x 2.13	0
RX..57	0.75	0.83	3/16	1.57	0.23	1-1/16	1/4 - 20 x 0.63	0
RX..67	1.00	1.11	1/4	1.97	0.26	1-5/16	3/8 - 16 x 0.87	0
RX..77	1.25	1.36	1/4	2.36	0.26	1-11/16	1/2 - 13 x 1.12	0
	1.625	1.79	3/8	3.15	0.38	2-1/4	5/8 - 11 x 1.38	+0.79
RX..87	1.625	1.79	3/8	3.15	0.38	2-1/4	5/8 - 11 x 1.38	0
	1.75	1.92	3/8	3.54	0.38	2-3/4	5/8 - 11 x 1.38	+0.39
RX..97	2.125	2.35	1/2	3.94	0.64	2-5/8	3/4 - 10 x 1.61	0
RX..107	2.375	2.65	5/8	4.72	0.51	3-5/8	3/4 - 10 x 1.61	0

<sup>1</sup>Longer shafts to match obsolete gear unit designs (ie: RF60/RF62/RF63) are available for flanged units.

<sup>2</sup>The change in length, L, when compared to the standard shaft that is shown in dimension pages.

8.7.2 Solid Shafts – Metric



8

Model	All dimensions in mm						
	D	T	U	L <sup>1</sup>	L11	L12	TAP
R..17	20	22.5	6	40	4	32	M6 x 16
R..27	25	28	8	50	3.5	40	M10 x 22
R..37	25	28	8	50	3.5	50	M10 x 22
R..47	30	33	8	60	3.5	50	M10 x 22
R..57	30	33	8	60	7	50	M10 x 22
	35	38	10	70	7	56	M12 x 28
R..67	35	38	10	70	7	56	M12 x 28
R..77	40	43	12	80	5	70	M16 x 36
R..87	50	53.5	14	100	10	80	M16 x 36
R..97	60	64	18	120	5	110	M20 x 42
R..107	70	74.5	20	140	7.5	125	M20 x 42
R..137	90	95	25	170	5	160	M24 x 50
R..147	110	116	28	210	15	180	M24 x 50
R..167	120	127	32	210	5	200	M24 x 50
RX..57	20	22.5	6	40	3.5	32	M6 x 16
RX..67	25	28	8	50	3.5	40	M10 x 22
RX..77	30	33	8	60	3.5	50	M10 x 22
	40	43	12	80	5	70	M16 x 36
RX..87	40	43	12	80	5	70	M16 x 36
	45	48.5	14	90	5	80	M16 x 36
RX..97	50	53.5	14	100	10	80	M16 x 36
RX..107	60	64	18	120	5	110	M20 x 42

21933480/EN-US – 04/2018

<sup>1</sup>Longer shafts to match obsolete gear unit designs (ie: RF60/RF62/RF63) are available for flanged units.