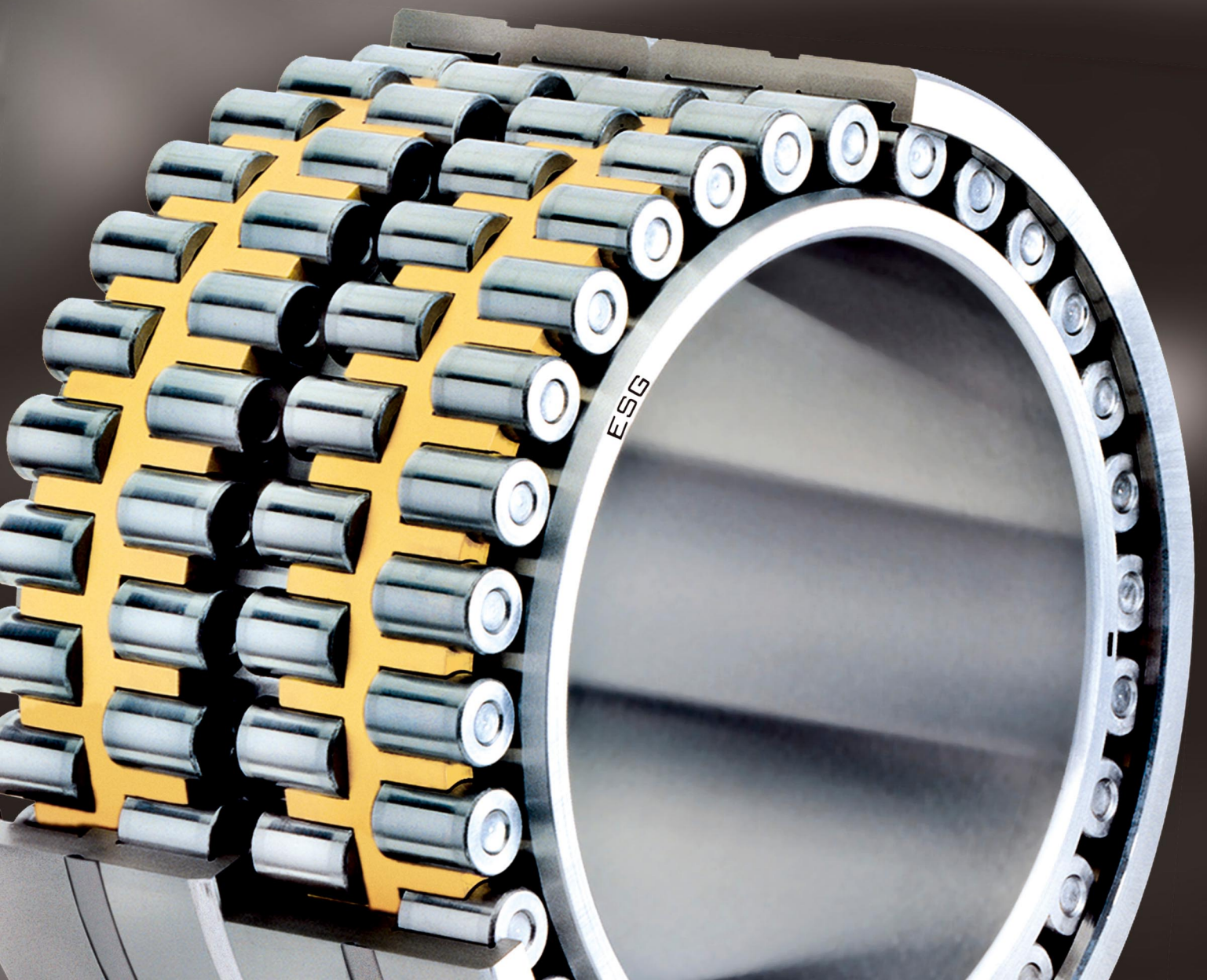


ESG

CHINA & U.S.A
joint venture



公司简介

Profile >>>

汕头高新区依斯吉轴承制造有限公司是中美合资企业，生产轴承的专业工厂，自营进出口生产企业，是中国钢铁工业协会冶金配件服务中心成员单位。拥有先进的制造技术，精密的生产设备，完善的检测设备，现代的管理模式，高标准的质量要求，并已通过ISO9001:2000质量管理体系认证。产品质量处于领先地位，设有营销网络信息和电子商务系统，产品行销国内外。质量决定企业的生命，技术成就企业未来，使您满意是我们永恒的承诺。

Shantou Hi-Tech Zone ESG Bearing Manufacture Company Limited is a Sino-American joint venture specializing in bearings, also member of the Metallurgical Equipment Service Center of China Iron & Steel Association. We're an ISO 9001:2000 certified factory who can self-manage export & import business. Marketing information system & E-Business system are introduced into our factory. With advanced techniques, sophisticated equipment, precision quality testing system and modern management, we produce bearings of leading quality, and our products sell well at home and abroad. We believe advanced technique means development, high quality makes the future of the factory and customers' satisfaction prospers our business.



欢迎使用
ESG 轴承
ESG bearing will be your good choice

公司证书

Certificate >>>



Certificate of Approval



Certificate Issued by Metallurgical Equipment Service Center of CISA



Self-managed Custom Declaration



Document Issued by CIQ



ISO Certificate



ISO Certificate



Test Report

Technique means development
Quality makes the future
Customers' satisfaction prospers our business

产品介绍 Product

Introduction >>>



Four-row Cylindrical Roller Bearings

P5-P24

四列圆柱滚子轴承



Double-row Cylindrical Roller Bearings

P25-P26

双列圆柱滚子轴承



Four-point Contact Ball Bearings

P27-P34

四点接触球轴承



Double Row Angular Contact Ball Bearings

P35-P36

双列角接触球轴承



Bilateral Double-row Thrust Tapered Roller Bearings

P37-P38

双向双列推力圆锥滚子轴承



Deep Groove Ball Bearings

P39-P42

深沟球轴承



Single-row Cylindrical Roller Bearings

P43-P48

单列圆柱滚子轴承



Spherical Roller Bearings

P49-P68

调心滚子轴承



四列圆柱滚子轴承
Four-row Cylindrical Roller Bearings



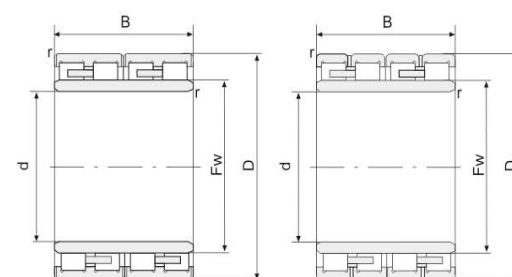
四列圆柱滚子轴承标志说明

Symbol Description Of Four-row Cylindrical Roller Bearings >>>

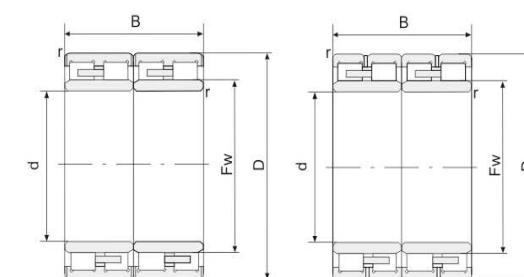
例: 滚动轴承 FC3854200/P63
Example: Rolling Bearing

FC3854200/P63

FC	轴承的结构特征 Structural characteristic of bearing
38	公称内径的毫米数/5 (190mm) Nominal inner diameter/5(190mm)
54	公称外径的毫米数/5 (270mm) Nominal outer diameter/5 (270mm)
200	公称宽度的毫米数 (200mm) Nominal width(200mm)
P63	公差等级(6)、径向游隙(3)组 Grade of Tolerance(6)、Radial Clearance(Group3)



FC



FCD

四列圆柱滚子轴承 Four-row Cylindrical Roller Bearings

外形尺寸(毫米) Boundary dimensions (mm)					基本额定负荷 (千牛) Basic load ratings (kN)		极限转速(转/分) Speed rating (rpm)		型号 Designations	重量(千克) Weight (kg)		相当于国外型号(参考) Equivalent to foreign designations (For your information)				
d	D	B	Fw	r _{min}	Cr	Cor	脂润滑 Grease	油润滑 Oil		成套 Complete set	内圈 Inner ring	SKF	FAG	NSK	NTN	KOYO
100	135	80	110	1.5	198	496	3500	4100	FC202780	3.20	1.03					
	140	70	111	1.5	220	480	3400	4000	FC202870	3.20	1.00					
	140	80	111	1.5	220	480	3400	4000	FC202880	3.50	1.40					
	145	70	113	1.5	230	470	3400	4000	FC202970	3.61	1.18					
	150	106	113	1.5	353	792	3400	4000	FC2030106	6.43	1.78					
110	170	90	127	2.0	390	760	2800	3600	FC223490	7.30	2.21			110RV1701		22FC1790
	170	120	127	2.0	520	1160	2800	3600	FC2234120	9.90	3.00					
	180	92	137	2.0	380	800	2600	3400	FC243692	7.79	2.50				4R2437	
	180	105	135	2.0	430	920	2600	3400	FC2436105	9.00	2.50				4R2438	4CR120
130	200	104	150	2.0	480	1020	2400	3000	FC2640104	11.50	3.52				4R2628	26FC20104
	200	125	149	2.0	630	1370	2400	3000	FC2640125	14.20	4.04			130RV2001		26FC20125
140	190	119	154	2.0	470	1280	2400	3000	FC2838119	9.50	2.95				4R2832	28FC19119W
	210	80	156	2.0	500	970	2200	2800	FC284280	9.40	2.29					
	210	106	158	2.0	540	1150	2200	2800	FC2842106	12.60	3.50					
	210	125	158	2.0	640	1440	2200	2800	FC2842125	14.90	4.10					
	210	155	158	2.0	790	1860	2200	2800	FC2842155	18.70	5.10					
145	210	155	166	2.0	620	1740	2200	2800	FC2942155	18.40	6.15	314625	511605	145RV2101	4R2906	29FC21155
	225	156	169	2.0	760	1750	2000	2600	FC2945156	22.20	7.20	313924A	538522	145RV2201	4R2904	313924
150	200	120	162	2.0	672	1400	2200	2800	FC3040120	10.10	2.40					30FC20120
	210	120	166	2.0	600	1530	2200	2800	FC3042120	12.70	3.70					
	210	120	166	2.0	600	1530	2200	2800	FCD3042120	12.70	1.85					
	210	120	168.5	2.0	686	1380	2200	2800	FCD3042120	12.80	1.80					30FC21120
	210	150	165	2.0	872	1780	2200	2800	FC3042150	15.90	3.80					30FC21150
	220	120	167	2.0	569	1249	2000	2600	FC3044120	14.50	3.98					
	220	127	168	2.5	615	1280	2000	2600	FC3044127	15.70	3.90				4R3036	
	220	150	170	2.0	887	1760	2000	2600	FC3044150	19.20	5.10					30FC22150
	220	150	168	2.5	750	1640	2000	2600	FC3044150A	19.40	4.60			150RV2201	4R3031/4R3056	30FC22150A
	225	112	170	2.0	550	1210	2000	2600	FCD3045112	15.30	2.16					
	225	120	169	2.0	640	1370	2000	2600	FC3045120	16.10	4.50					
	225	120	169	2.0	640	1370	2000	2600	FCD3045120	16.10	2.20					
	225	150	169	2.0	810	1830	2000	2600	FC3045150	20.40	5.60					
	225	150	168.5	1.5	970	1810	2000	2600	FC3045150A	20.80	5.60			150RV2203		
	225	136	168.776	2.1	820	1460	2000	2600	FC3045136	18.60	5.20			150RV2204		
230	130	174	2.5	725	1520	2000	2600	FC3046130	20.00	5.30			150RV2301	4R3029		
230	156	174	2.0	850	2050	2000	2600	FC3046156	23.50	7.50	313891A	506962	150RV2302	4R3040	313891-1	
230	168	178	2.0	845	1950	2000	2600	FC3046168	25.80	8.00				4R3042		

四列圆柱滚子轴承 Four-row Cylindrical Roller Bearings

外形尺寸(毫米) Boundary dimensions (mm)					基本额定负荷 (千牛) Basic load ratings (kN)		极限转速(转/分) Speed rating (rpm)		型号 Designations	重量(千克) Weight (kg)		相当于国外型号(参考) Equivalent to foreign designations (For your information)				
d	D	B	Fw	r _{min}	Cr	Cor	脂润滑 Grease	油润滑 Oil		成套 Complete set	内圈 Inner ring	SKF	FAG	NSK	NTN	KOYO
150	250	120	178	2.0	740	1570	2000	2600	FC3050120	24.30	6.70					
	250	150	177	2.5	885	1640	2000	2600	FC3050150	29.60	6.90				4R3039	
160	220	180	177	2.5	920	2490	2000	2600	FC3244180	20.20	6.40				4R3224	32FC22180
	230	130	180	2.1	690	1630	2000	2600	FC3246130	16.80	5.40	314190	502894		4R3226	314190
	230	130	178	2.0	780	1340	2000	2600	FC3246130A	16.40	4.90			160RV2301		
	230	168	179	2.1	890	2270	2000	2600	FC3246168	22.10	6.55	315189A	510150B		4R3232	32FC23170B
	230	168	180	2.5	895	2200	2000	2600	FC3246168A	23.20	6.90			160RV2302	4R3229	32FC23170A
	230	168	182	2.5	895	2210	2000	2600	FC3246168A1	23.20	7.60				4R3231	32FC23170
	230	180	177	2.5	920	2490	2000	2600	FC3246180	24.80	6.40				4R3228	32FC23180A
	230	180	178	2.0	1080	2280	2000	2600	FC3246180A	24.20	6.60			160RV2303		
	240	120	183	2.1	745	1320	1900	2400	FC3248120	18.80	5.80			160RV2401		32FC24120W
	240	124	183	2.1	670	1500	1900	2400	FC3248124	19.00	6.00					
	240	145	180.016	2.1	920	1600	1900	2400	FC3248145	22.30	6.00			160RV2403		
	240	168	183	2.1	950	2330	1900	2400	FC3248168	26.10	8.10					
	240	168	183	2.1	950	2330	1900	2400	FCD3248168	26.10	4.00					
	240	170	183	2.0	980	2290	1900	2400	FC3248170	27.80	8.20			160RV2402	4R3225	32FC24170
170	230	120	187	2.5	620	1520	1900	2400	FC3446120	14.20	4.50			170RV2301	4R3426/4R3443	34FC23120
	230	130	188.5	2.1	610	1680	1900	2400	FC3446130	15.20	5.20	313673	508370			
	230	160	185.5	2.1	1200	2200	1900	2400	FCD3446160	18.90	2.70		567622			
	230	180	186	2.1	920	2690	1900	2400	FC3446180	21.10	6.30					
	240	130	190	2.1	680	1720	1800	2300	FC3448130	18.30	5.70	BC4B635122	510440B			
	240	156	189	2.5	905	2170	1900	2400	FC3448156	22.20	6.50				4R3429	34FC24156B
	240	156	190	2.0	972	2050	1900	2400	FC3448156A	22.40	6.80					34FC24156A
	240	160	190	2.5	905	2180	1900	2400	FC3448160	22.80	7.00			170RV2402	4R3423	
	240	190	187	1.5	1260	2620	1900	2400	FC3448190	26.90	7.10					34FC24190
	250	168	192	2.1	1210	2320	1800	2200	FC3450168	27.40	8.16			170RV2501		34FC25168
	250	168	193	2.5	970	2200	1800	2200	FC3450168A	28.20	8.50				4R3432/4R3428	
	250	170	192	2.1	970	2430	1800	2200	FC3450170	27.90	8.26			170RV2502		34FC25170
	255	180	193	2.5	1100	2430	1800	2200	FC3451180	19.30	9.10			170RV2503	4R3425	
	260	120	195	2.1	780	1720	1800	2200	FC3452120	22.80	6.70					
	260	150	195	2.1	870	1980	1800	2200	FC3452150	28.20	8.30			170RV2602		34FC26150
	260	150	192	2.5	835	1750	1800	2200	FC3452150A	29.50	7.30				4R3433	
260	170	195	2.1	956	2226	1800	2200	FC3452170	31.60	9.50						
260	225	196	2.1	1400	3640	1800	2200	FC3452225	43.20	13.00	313587B	505470		4R3431		
180	250	100	200	2.1	510	1240	1800	2200	FCD3650100	14.70	2.23					
	250	120	200	2.1	610	1580	1800	2200	FC3650120	17.70	5.60					

四列圆柱滚子轴承 Four-row Cylindrical Roller Bearings

外形尺寸(毫米) Boundary dimensions (mm)					基本额定负荷 (千牛) Basic load ratings (kN)		极限转速(转/分) Speed rating (rpm)		型号 Designations	重量(千克) Weight (kg)		相当于国外型号(参考) Equivalent to foreign designations (For your information)				
d	D	B	Fw	r _{min}	Cr	Cor	脂润滑 Grease	油润滑 Oil		成套 Complete set	内圈 Inner ring	SKF	FAG	NSK	NTN	KOYO
180	250	156	200	2.1	860	2310	1800	2200	FC3650156	22.80	7.18			180RV2501	4R3625	36FC25156A
	250	168	202	2.0	885	2470	1800	2200	FC3650168	25.60	8.70			180RV2601	4R3639	313812W/36FC26168
	260	120	202	2.1	710	1630	1800	2200	FC3652120	20.20	6.20					
	260	124	202	2.1	710	1630	1800	2200	FC3652124	21.00	6.40					
	260	168	202	2.1	990	2530	1800	2200	FC3652168	29.20	8.60	313812	507536	180RV2601	4R3628	313812W
	260	168	202	2.1	990	2530	1800	2200	FCD3652168	29.20	4.26					
	265	180	204	2.5	1090	2510	1800	2200	FC3653180	34.20	10.10			180RV2602	4R3618	
	265	180	203	2.1	1230	2420	1800	2200	FC3653180A	33.40	9.70			180RV2603		36FC27180
	280	180	206	2.1	1170	2690	1700	2000	FC3656180	41.00	11.00		524372			
	280	180	205.085	2.1	1410	2490	1700	2000	FC3645180A	40.90	10.50			180RV2802		
190	260	124	212	2.1	650	1730	1700	2000	FC3852124	19.10	6.61					
	260	124	208	2.1	700	1830	1700	2000	FC3852124A	20.60	5.43					
	260	168	212	2.1	910	2680	1700	2000	FC3852168	27.20	9.10	313651	507735	190RV2601	4R3820	38FC26168-1
	260	168	208	2.1	970	2610	1700	2000	FC3852168A	25.70	7.50					
	265	124	213	2.1	660	1720	1700	2000	FC3853124	20.80	7.10					
	270	168	212	2.1	1040	2720	1700	2000	FC3854168	30.00	9.10					
	270	170	212	2.0	1290	2610	1700	2000	FC3854170	30.50	9.10			190RV2703		38FC27170
	270	170	213	2.5	1090	2660	1700	2000	FC3854170A	31.70	9.70			190RV2702	4R3818	38FC27170A
	270	200	212	2.1	1210	3300	1700	2000	FC3854200	36.80	10.90	314199B	508657	190RV2701	4R3821/4R3817	314199
	280	200	214	2.1	1240	3200	1700	2000	FC3856200	42.10	11.70	314049A	510199	190RV2801	4R3823/4R3830	38FC28200
200	280	200	222	2.1	1240	3200	1700	2000	FC3856200A	42.10	16.20	313583				
	290	190	215	2.1	1550	2860	1700	2000	FC3858190	44.90	11.60					38FC29190
	250	200	215	1.0	900	2500	1700	2000	FC4050200	22.30	7.50			200RV2521		
	270	170	222	2.1	810	2460	1600	1900	FC4054170	28.30	9.60	314553	522742B		4R4039	314553
	280	152	222	2.1	1000	2320	1600	1900	FC4056152	29.50	8.60				4R4054	40FC28152BW
	280	170	222	2.1	1030	2730	1600	1900	FC4056170	32.70	9.60	314385	507344		4R4048	40FC28170
	280	170	223	2.0	1500	2600	1600	1900	FC4056170A	33.70	10.10		549864	200RV2804		
	280	188	222	2.1	1140	3120	1600	1900	FC4056188	35.30	10.70					40FC28188
	280	190	223	2.5	1190	3150	1600	1900	FC4056190	36.70	11.30		200RV2803		4R4026	40FC28190A
	280	200	222	2.1	1230	3420	1600	1900	FC4056200	37.50	11.30	313893	508726	200RV2802	4R4037	313893-1
280	200	224	2.1	1210	3610	1600	1900	FC4056200A	39.20	12.40			200RV2801	4R4027	40FC28200	
	290	130	226	2.1	860	2030	1600	1900	FC4058130	27.90	8.90					
	290	192	226	2.1	1240	3250	1600	1900	FC4058192	42.50	12.90	313811	512580B	200RV2901	4R4041	313811
	290	192	226	2.1	1240	3250	1600	1900	FCD4058192	42.50	6.40					
	310	160	232	2.1	1260	2240	1400	1700	FC4062160	44.60	13.80					40FC31160
	310	206	227	2.1	1790	3240	1400	1700	FC4062206	56.60	14.70					40FC31206

四列圆柱滚子轴承 Four-row Cylindrical Roller Bearings

外形尺寸(毫米) Boundary dimensions (mm)					基本额定负荷 (千牛) Basic load ratings (kN)		极限转速(转/分) Speed rating (rpm)		型号 Designations	重量(千克) Weight (kg)		相当于国外型号(参考) Equivalent to foreign designations (For your information)				
d	D	B	Fw	r _{min}	Cr	Cor	脂润滑 Grease	油润滑 Oil		成套 Complete set	内圈 Inner ring	SKF	FAG	NSK	NTN	KOYO
200	310	230	229	2.1	2360	4000	1400	1700	FCD4062230	65.40	8.90		503901.N12BA	200RV3102		
	310	265	227	2.0	2700	4250	1400	1700	FCD4062265	70.20	9.50		514958			
	320	216	231	3.0	2120	3900	1400	1700	FC4064216	69.90	17.50			200RV3231		
210	290	192	234	2.1	1090	3210	1500	1800	FC4258192	38.40	12.40	313646				
	290	192	236	2.1	1700	3400	1500	1800	FC4258192A	38.70	13.40		507628	210RV2901	4R4206	42FC29192
	300	170	234	2.1	1160	2950	1500	1800	FC4260170	38.40	11.00					
	300	210	234	2.1	1400	3800	1500	1800	FC4260210	48.20	13.60					42FC30210
	300	210	234	2.1	1400	3800	1500	1800	FCD4260210	48.00	6.71					
220	290	192	239	2.5	1190	3350	1400	1700	FC4458192	33.80	10.20				4R4413	
	300	150	240	2.1	1210	2500	1400	1700	FC4460150	30.70	8.40					44FC30150W
	300	160	245	2.5	1000	2590	1400	1700	FC4460160	32.80	11.30				4R4419/4R4445	
	300	192	242	2.1	1240	3560	1400	1700	FC4460192	39.30	11.90					
	300	200	240	2.1	1830	3350	1400	1700	FCD4460200	40.90	5.60		567623			
	310	192	246	2.1	1290	3790	1400	1700	FC4462192	45.50	14.20	313839	507333		4R4426	313837A
	310	192	247	2.5	1350	3550	1400	1700	FC4462192A	46.30	15.00			220RV3101	4R4410	313837-1
	310	192	245	3.0	1450	2980	1400	1700	FC4462192A1	43.90	14.10					44FC31192W
	310	204	247	2.5	1420	3750	1400	1700	FC4462204	49.80	15.90				4R4425	
	310	215	242	2.5	1530	3750	1400	1700	FC4462215	51.50	13.30				4R4420	
	310	225	245	2.1	1470	4160	1400	1700	FC4462225	54.20	15.90		506869	220RV3102	4R4416	
	310	225	246	2.1	1350	3980	1400	1700	FC4462225A	57.70	15.50					
	310	225	244	1.0	2200	4150	1400	1700	FC4462225A1	54.20	15.30	313894B	514461		4R4449	44FC31225A
	320	160	245	3.0	1190	2550	1400	1700	FC4464160	46.50	11.30				4R4428	
	320	210	248	2.1	1480	3780	1400	1700	FC4464210	55.10	16.80		509216	220RV3201	4R4429	44FC32210-1
320	210	246	2.5	1560	3600	1400	1700	FC4464210A	57.30	15.50			220RV3203	4R4444	44FC32210	
330	230	249	2.1	1720	4340	1300	1600	FC4466230	67.40	19.00	314889	541452				
340	180	256	3.0	1500	2750	1300	1600	FC4468180	59.00	18.60					44FC34180A	
340	290	250	3.0	3250	5400	1300	1600	FCD4468290	94.50	12.40		525147				
230	330	170	260	2.1	1210	3210	1300	1600	FC4666170	47.40	15.20					
	330	206	260	2.1	1490	3930	1300	1600	FC4666206	56.40	18.40	313824	508727B	230RV3301	4R4610	313824A
	330	206	258	2.5	1520	3900	1300	1600	FC4666206A	58.60	17.20				4R4614	
	340	260	261	2.1	1920	5340	1300	1600	FC4668260	81.10	24.10			230RV3401	4R4611	46FC34260
	340	260	261	2.1	1920	5340	1300	1600	FCD4668260	81.10	12.00					
	365	250	266	2.1	2110	5230	1300	1600	FC4673250	100.00	27.20	313581A	529113	230RV3601		
240	330	180	265	2.1	2040	3900	1300	1600	FC4866180	46.90	13.60		504547			
	330	220	264	2.1	1460	4220	1300	1600	FC4866220	56.80	16.10				4R4819	48FC33220
	330	220	264	2.1	1460	4220	1300	1600	FCD4866220	56.80	8.05					

四列圆柱滚子轴承 Four-row Cylindrical Roller Bearings

外形尺寸(毫米) Boundary dimensions (mm)					基本额定负荷 (千牛) Basic load ratings (kN)		极限转速(转/分) Speed rating (rpm)		型号 Designations	重量(千克) Weight (kg)		相当于国外型号(参考) Equivalent to foreign designations (For your information)						
d	D	B	Fw	r _{min}	Cr	Cor	脂润滑 Grease	油润滑 Oil		成套 Complete set	内圈 Inner ring	SKF	FAG	NSK	NTN	KOYO		
240	330	220	268	3.0	1490	4150	1300	1600	FC4866220A	57.10	19.00	313921	508368	240RV3301	4R4821	48FC33220BW		
	330	220	270	2.0	2080	4250	1300	1600	FC4866220A1	56.90	20.80				4R4811/4R4804	312943/1YD		
	330	250	263	2.1	2160	4910	1300	1600	FC4866250	63.70	17.50					48FC33250W		
	340	192	266	2.1	1340	3480	1300	1600	FC4868192	55.00	15.40							
	340	200	266	3.0	2500	4500	1300	1600	FC4868200	60.50	16.00				512972		48FC34200	
	340	220	268	3.0	2400	4250	1200	1500	FC4868220	61.80	19.00				513703	240RV3403	4R4806	48FC34220
	350	220	270	2.1	1630	4260	1300	1600	FCD4870220	70.70	10.20					240RV3601		
	360	220	272	2.1	1830	4600	1200	1500	FC4872220	78.40	22.00							
	360	220	274	2.5	1760	4050	1200	1500	FC4872220A	79.60	23.50						4R4807/4R4813	
	360	290	270	2.5X30°	3350	5700	1200	1500	FCD4872290	99.30	13.40				514959			
250	340	170	274	3.0	1220	3390	1200	1500	FC5068170	44.30	13.20							
	340	220	274	3.0	1550	4610	1200	1500	FCD5068220	58.10	8.38							
	340	230	276	2.1	2120	4050	1200	1500	FC5068230	59.70	19.50	522310						
	350	220	278	3.0	1690	4730	1200	1500	FC5070220	66.20	19.80		250RV3501	4R5008	50FC35220			
	350	220	278	3.0	1690	4730	1200	1500	FCD5070220	66.20	9.81							
	360	220	282	3.0	1720	4750	1100	1400	FC5072220	74.90	22.90							
260	355	260	286	2.1	2090	5000	1100	1400	FCD5271260	74.50	11.10			260RV3521		52FC35260		
	360	192	288	3.0	1400	4120	1100	1400	FC5272192	60.10	17.80							
	360	192	287	2.1	1750	3740	1100	1400	FC5272192A	59.80	17.20					52FC36192W		
	360	200	287	2.1	1880	4110	1100	1400	FC5272200	62.00	18.00					52FC36200		
	360	220	292	2.5	1540	4150	1100	1400	FC5272220	62.70	23.70				4R5521			
	360	200	288	3.0	1490	4310	1100	1400	FC5272200	62.00	18.70							
	360	230	292.2	4.0	2500	5000	1100	1400	FC5272230	71.50	25.40	533880						
	360	230	292.5	2.1	2140	4900	1100	1400	FC5272230A	69.70	25.80					52FC36230CW		
	360	230	292	2.1	2020	4790	1100	1400	FC5272230A1	72.60	25.00					52FC36230D		
	360	260	287	2.5	1830	4850	1100	1400	FC5272260	81.50	23.40				4R5231			
	360	260	287	2.1	2300	5320	1100	1400	FCD5272260	80.00	11.60					52FC36260		
	370	200	292	3.0	1610	4400	1100	1400	FC5274200	70.00	21.40							
	370	220	292	3.0	1760	4920	1100	1400	FC5274220	76.60	2.70	313823	507336	260RV3701	4R5217/4R5208	313823		
	370	220	290	3.0	2180	4480	1100	1400	FC8274220A	75.00	22.20					313823A		
	370	230	292	3.0	1760	4920	1100	1400	FC5274230	78.60	24.80							
	370	260	290	2.1	2640	5740	1100	1400	FC5274260	88.50	26.20					52FC37260		
	380	220	292	3.0	1860	4810	1100	1400	FC5276220	83.20	23.70							
380	280	294	3.0	2420	6250	1100	1400	FC5276280	109.00	32.50			260RV3801	4R5213				
380	280	294	3.0	2380	6940	1100	1400	FCD5276280	110.00	16.10								
400	290	296	4.0	3250	6350	1100	1400	FC5280290	133.00	35.50			260RV4001					

四列圆柱滚子轴承 Four-row Cylindrical Roller Bearings

外形尺寸(毫米) Boundary dimensions (mm)					基本额定负荷 (千牛) Basic load ratings (kN)		极限转速(转/分) Speed rating (rpm)		型号 Designations	重量(千克) Weight (kg)		相当于国外型号(参考) Equivalent to foreign designations (For your information)									
d	D	B	Fw	r _{min}	Cr	Cor	脂润滑 Grease	油润滑 Oil		成套 Complete set	内圈 Inner ring	SKF	FAG	NSK	NTN	KOYO					
260	400	290	296	3.0	2770	7090	1100	1400	FCD5280290	134.00	17.60	313427	518214 521065		4R5218						
	400	335	294	4.0	4300	7200	1100	1400	FCD5280335	151.00	19.30										
270	380	230	298	3.0	1890	5360	1000	1300	FC5476230	82.70	22.60			270RV3801	4R5407 4R5405	54FC38230					
	380	280	297	2.5	2260	5750	1000	1300	FC5476280	101.00	26.50										
	380	280	299.7	2.5	2580	6850	1000	1300	FCD5476280	105.00	29.10										
	380	275	298	3.0	2230	6380	1000	1300	FC5476275	97.30	26.60										
	390	220	306	3.0	1840	5040	1000	1300	FC5478220	86.30	27.80										
	390	240	298	3.0	2110	5450	1000	1300	FC5478240	91.30	23.20										
280	350	208	298	2.5	1290	3950	1000	1300	FC5670208	46.40	13.10										
	375	200	307	3.0	1469	4328	1000	1300	FC5675200	65.10	19.40										
	380	170	306	2.1	1710	3590	1000	1300	FC5676170	55.00	15.90										
	380	192	310	3.0	1420	4180	1000	1300	FC5676192	63.20	20.50										
	380	290	308	3.0	2046	6440	1000	1300	FCD5676290	100.00	14.50										
	390	220	312	3.0	1820	5270	1000	1300	FC5678220	80.90	25.50						313822	507339B	280RV3901	4R5611/4R5604	313822/313822D
	390	220	312	3.0	1820	5270	1000	1300	FCD5678220	80.60	12.60										
	390	220	308	3.0	2180	4670	1000	1300	FC5678220A	79.70	21.60										
	390	220	306	3.0	2520	5350	1000	1300	FC5678220A1	79.70	20.00										
	390	240	312	3.0	2460	5620	1000	1300	FC5678240	88.10	27.60										
	390	275	312	3.0	2260	6940	1000	1300	FC5678275	101.00	31.70										
	390	275	308	3.0	2270	6610	1000	1300	FCD5678275	100.00	13.50						314719C	513729A 527104	280RV3902	4R5612	56FC39240
	390	275	308	3.0	2860	6450	1000	1300	FC5678275A	100.00	27.10										
	390	275	309	2.1	2680	6110	1000	1300	FC5678275A1	100.00	28.10										
	400	285	316	4.0	3400	6400	1000	1300	FCD5680285	113.60	18.20							513342. N12BA	280RV4021		
	410	300	313	4.0	3900	6950	1000	1300	FCD5682300	132.60	17.90							510350. C4. N12BA			
420	280	318	4.0	2590	7190	1000	1300	FCD5684280	140.00	19.10											
420	280	323	4.0	2430	6150	1000	1300	FC5684280A	139.00	43.90				4R5605							
290	390	234	320	3.0	2270	5600	1000	1300	FC5878234	79.70	26.20			290RV3901	4R5806	58FC39234 58FC40180W 58FC41240					
	400	180	320	4.0	1472	4036	1000	1300	FC5880180	68.50	20.10										
	410	240	320	4.0	2080	5970	950	1200	FC5882240	105.00	26.90										
	410	240	320	4.0	2080	5970	950	1200	FCD5882240	101.00	13.30										
	420	300	327	3.0	2830	7500	950	1200	FC5884300	141.00	41.60										
	440	310	328	4.0	4300	7200	950	1200	FC5888310	164.00	44.10							517796	290RV4201	4R5805	58FC42300
300	400	300	328	3.0	2480	7500	900	1100	FC6080300	104.00	32.10			300RV4021	4R6014	60FC40300A 60FC42218					
	420	218	332	4.0	1783	4959	900	1100	FC6084218	94.50	27.00										
	420	240	332	4.0	2160	6370	900	1100	FC6084240	106.00	29.60										
	420	240	334	3.0	2020	5450	900	1100	FC6084240A	105.00	31.80							300RV4201	4R6027 4R6012/4R6017	60FC42240	

四列圆柱滚子轴承 Four-row Cylindrical Roller Bearings

外形尺寸(毫米) Boundary dimensions (mm)					基本额定负荷 (千牛) Basic load ratings (kN)		极限转速(转/分) Speed rating (rpm)		型号 Designations	重量(千克) Weight (kg)		相当于国外型号(参考) Equivalent to foreign designations (For your information)				
d	D	B	Fw	r _{min}	Cr	Cor	脂润滑 Grease	油润滑 Oil		成套 Complete set	内圈 Inner ring	SKF	FAG	NSK	NTN	KOYO
300	420	240	336	3.0	2010	5450	900	1100	FC6084240A1	105.00	33.90				4R6023	
	420	240	332	4.0	2160	6370	900	1100	FCD6084240	106.00	14.80					
	420	300	334	3.0	2720	7600	900	1100	FC6084300A	125.00	39.80				4R6015	
	420	300	332	4.0	2690	8020	900	1100	FCD6084300	132.00	18.30	314484D	524289B	300RV4221	4R6020	60FC42300W
	420	300	331	3.0	2990	8150	900	1100	FCD6084300A	136.00	17.70				4R6030	60FC42300DW
	420	320	332	3.0	2900	7850	900	1100	FCD6084320	136.00	19.50				4R6018	
	430	240	338	3.0	2160	5150	900	1100	FC6086240	115.00	35.30				4R6021	
	460	270	344	3.0	2510	5350	850	1000	FC6092270	162.00	46.30				4R6019	
	460	350	341	4.0	5500	9650	850	1000	FCD6092350	233.00	27.90		517795			
310	420	300	338	3.0	3300	8050	850	1000	FC6284300	119.00	33.60			310RV4201		62FC42300
	430	240	344.5	3.0	2240	5950	850	1000	FC6286240	108.00	33.20			310RV4301	4R6202	62FC43240
	440	240	345	3.0	3250	5700	850	1000	FC6288240	115.00	33.90		574469			
	440	240	341	3.0	2820	5730	850	1000	FC6288240A	113.00	29.90					62FC44240
320	440	230	351	3.0	2530	5490	850	1000	FC6488230	103.00	28.90					64FC44230/240
	440	240	351	4.0	2140	6100	850	1000	FC6488240	109.00	30.20				4R6414	
	440	240	351	4.0	2140	6100	850	1000	FCD6488240	109.00	15.00					
	440	300	352	4.0	2720	8280	850	1000	FCD6488300	135.00	19.50					
	450	240	355	4.0	2260	6280	850	1000	FC6490240	118.00	34.70			320RV4502		64FC45240
	450	240	355	4.0	2260	6280	850	1000	FCD6490240	118.00	16.90					
	450	240	358	3.0	2370	6150	850	1000	FC6490240A	125.00	37.50			320RV4501	4R6411	4CR320/64FC45240CW
	460	240	364	3.0	3750	7200	850	1000	FC6492240	138.00	44.20		804571			
	460	300	357	4.0	2940	8430	850	1000	FCD6492300	164.00	22.80					
	460	340	360	4.0	3400	9450	850	1000	FC6492340	178.00	56.40				4R6412	64FC46340A
	460	340	360	4.0	3350	10020	850	1000	FCD6492340	186.00	28.10					
	470	350	361.7	3.0	4150	10900	800	1000	FCD6494350	212.00	30.00				4R6406	
	480	290	364	4.0	3260	8680	800	1000	FCD6496290	185.00	26.70					
480	290	361	4.0	4080	8450	800	1000	FCD6496290A	189.00	24.30					64FC48290	
480	350	364	4.0	3210	9140	800	1000	FCD6496350	228.00	31.70	314274B	541851	320RV4811		341274A	
330	430	230	358	3.0	2340	5850	800	1000	FC6686230	86.30	27.30			330RV4301		
	440	200	360	3.0	1820	4850	800	1000	FC6688200	83.60	25.50			330RV4401	4R6603/4R6608	66FC44200W
	440	200	358	3.0	2340	5220	800	1000	FC6688200A	83.40	23.80					66FC44200AW
	460	340	365	4.0	3250	8850	800	1000	FC6692340	181.00	51.00			330RV4601	4R6605	
	460	340	365	4.0	3190	9820	800	1000	FCD6692340	174.00	25.00	313445C	543447			
	460	340	368	4.0	3300	9550	800	1000	FC6692340A	177.00	55.60				4R6602	66FC46340B
	460	340	364	2.1	3860	9150	800	1000	FC6692340A1	172.00	49.50					66FC46340
	460	380	364	2.1	4380	10800	800	1000	FC6692380	195.00	55.30					66FC46380W

四列圆柱滚子轴承 Four-row Cylindrical Roller Bearings

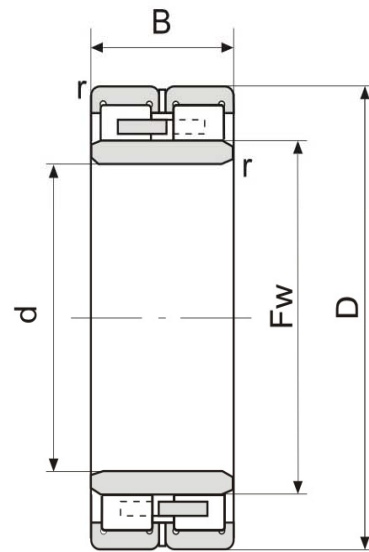
外形尺寸(毫米) Boundary dimensions (mm)					基本额定负荷 (千牛) Basic load ratings (kN)		极限转速(转/分) Speed rating (rpm)		型号 Designations	重量(千克) Weight (kg)		相当于国外型号(参考) Equivalent to foreign designations (For your information)				
d	D	B	Fw	r _{min}	Cr	Cor	脂润滑 Grease	油润滑 Oil		成套 Complete set	内圈 Inner ring	SKF	FAG	NSK	NTN	KOYO
340	445	250	367	2.1	2510	6110	800	1000	FC6889250	100.00	29.10					68FC45250W
	450	250	364	4.0	2270	6630	800	1000	FC6890250	103.00	25.50					
	450	250	369	4.0	2130	6460	800	1000	FCD6890250A	106.00	15.40					
	450	250	371	4.0	2120	6790	800	1000	FC6890250A1	108.00	33.40			340RV4501		
	450	250	371	4.0	2120	6790	800	1000	FCD6890250A1	107.00	16.70					
	450	250	366	4.0	2260	6640	800	1000	FC6890250A2	105.00	28.00					
	450	250	368	3.0	2720	6750	800	1000	FC6890250A3	108.00	30.20			340RV4502		68FC45250BW
	460	260	370	4.0	2340	6960	800	1000	FCD6892260	122.00	16.70					
	480	280	374	4.0	2840	7870	750	950	FCD6896280	159.00	20.60			340RV4801		
	480	350	378	4.0	3410	10410	750	950	FCD6896350	201.00	28.90	314485C	527634	340RV4812E	4R6819	68FC48350-2
	480	350	376	4.0	4840	11400	750	950	FCD6896350A	201.00	27.40					68FC48350L
	480	370	378	5.0	3450	9650	750	950	FC6896370	198.00	61.40				4R6811	
	480	385	378	2.1	4780	11500	750	950	FCD6896385	209.00	31.80					68FC48350N
	490	300	377	4.0	3350	8300	750	950	FC6898300	187.00	48.60				4R6804	
	490	300	380	5.0	3100	7950	750	950	FC6898300A	189.00	52.50				4R6805	68FC49300
	490	300	379	5.0	3680	7850	750	950	FC6898300A1	182.00	51.20					68FC49300A
500	370	385	6.0	6550	13200	700	900	FCD68100370	253.00	36.70		517794				
560	380	396	4.0	7650	12200	650	830	FCD68112380	379.00	47.20		545171				
350	500	380	389	4.0	4030	12040	700	900	FCD70100380	243.00	33.40	314563	532381.N12BA			
	500	410	388	5.0	7100	14300	700	900	FCD70100410	268.00	35.30		532001			
	500	460	388	2.0	6570	16500	700	900	FCD70100460	296.00	39.60					70FC50460
	520	300	401	4.0	3300	9070	700	900	FCD70104300	223.00	34.80	BC2B319878	568450			
360	480	290	388	3.0	2990	8150	700	900	FC7296290	148.00	37.00				4R7207	
	480	290	394	3.0	3250	8300	700	900	FC7296290A	146.00	45.30			360RV4801		
	480	290	392	3.0	3470	8510	700	900	FC7296290A1	145.00	42.40					72FC48290
	500	250	394	4.0	2480	6730	700	900	FCD72100250	146.00	19.30	BC2B320075				72FC50250
	510	370	400	4.0	3550	9700	700	900	FC72102370	244.00	68.70			360RV5101	4R7212	72FC51370
	510	370	397	4.0	3930	11720	700	900	FCD72102370A	240.00	31.30					
	510	380	399	4.0	4020	12070	700	900	FCD72102380	247.00	34.00	316890B				
	510	400	397	5.0	4250	11500	700	900	FC72102400	262.00	68.40				4R7203	
	510	400	399	4.0	4350	11900	700	900	FCD72102400	251.00	35.80				4R7205	
	520	380	405	4.0	4120	12520	700	900	FCD72104380	271.00	39.30	314486A	562913			72FC52380
370	480	230	400	5.0	2100	6250	700	900	FC7496230	106.00	32.20				4R7405	
	480	250	401	3.0	2200	6450	700	900	FC7496250	118.00	36.20			370RV4801	4R7408	
	520	380	409	5.0	3900	10800	700	900	FC74104380	256.00	71.20			370RV5211	4R7411	
	520	380	409	10X20°	6100	11800	700	900	FCD74104380	248.00	35.30		543975			74FC52380

四列圆柱滚子轴承 Four-row Cylindrical Roller Bearings

外形尺寸(毫米) Boundary dimensions (mm)					基本额定负荷 (千牛) Basic load ratings (kN)		极限转速(转/分) Speed rating (rpm)		型号 Designations	重量(千克) Weight (kg)		相当于国外型号(参考) Equivalent to foreign designations (For your information)				
d	D	B	Fw	r _{min}	Cr	Cor	脂润滑 Grease	油润滑 Oil		成套 Complete set	内圈 Inner ring	SKF	FAG	NSK	NTN	KOYO
370	520	400	409	5	4650	13500	700	900	FC74104400	273.00	74.90				4R7404	
	520	400	413	5	4740	11900	700	900	FCD74104400	268.00	43.20					74FC52400W
	540	400	415	4	5250	12000	670	860	FC74108400	311.00	86.40			370RV5401		74FC54400A
380	500	290	414	3	3350	8800	670	860	FC76100290	153.00	47.60			380RV5001		
	520	280	417	4	3400	9150	670	860	FC76104280	174.00	50.20			380RV5202	4R7605	76FC52280
	520	290	418	4	4500	9000	670	860	FC76104290	182.00	53.50		576360	380RV5201		76FC52290
	520	290	417	4	3400	9150	670	860	FC76104290A	185.00	52.00				4R7617	
	520	300	416	4	3550	9600	670	860	FC76104300	210.00	52.30				4R7607	
	540	300	421	3	5100	9150	670	860	FCD76108300	217.00	29.80		541982			76FC54300
	540	340	424	5	4700	10900	670	860	FC76108340	259.00	73.40			380RV5431		
	540	340	422	4	4600	10300	670	860	FCD76108340	256.00	35.00					76FC54340W
	540	360	422	4	5480	12900	670	860	FCD76108360	266.00	37.10					76FC54360
	540	400	422	4	5200	15200	670	860	FC76108400	325.00	83.00				4R7604	
	540	400	422	5	6700	13400	670	860	FCD76108400	297.00	41.20		544794	380RV5411	4R7618	76FC54380
	540	400	424	5	4550	12700	670	860	FC76108400	298.00	86.40			380RV5401	4R7613	
390	510	290	424	3	3400	9000	670	860	FC78102290	156.00	48.80			390RV5101		
	540	320	431	10x20°	5500	11000	650	830	FCD78108320	225.00	32.80		578278			
	550	400	434	5	5150	12400	650	830	FCD78110400	303.00	44.00			390RV5521		78FC55400AW
400	520	250	432	4	3000	7700	650	830	FC80104250	136.00	40.20			400RV5202		80FC52250W
	550	300	441	4	4150	9750	650	830	FC80110300	212.00	63.20			400RV5501		
	560	360	441	5	5570	13400	620	780	FCD80112360	277.00	37.60					80FC56360
	560	400	446	5	4250	11800	620	780	FC80112400	303.00	94.50				4R8007	
	560	400	446	5	5650	13600	620	780	FCD80112400	308.00	47.00			400RV5621/400RV5612		
	560	410	445	12x20°	7800	16600	620	780	FCD80112410	321.00	47.40		513769A	400RV5611/400RV5613	4R8010	80FC56410
	590	420	450	4	5150	13000	620	780	FC80118420	399.00	107.50				4R8011	
	590	440	450	4	8300	16000	620	780	FCD80118440	408.00	56.70		542395			
600	380	450	5	6610	14300	620	780	FCD80120380	388.00	49.00					80FC60380	
410	560	400	450	4	6550	13400	620	780	FCD82112400	285.00	41.50		543736			
	600	440	460	5	8070	18800	620	780	FCD82120440	432.00	58.10		517436	410RV6011		82FC60440
420	560	280	457	4	3150	8750	620	780	FC84112280	189.00	55.20			420RV5601	4R8403	84FC56280
	560	400	458	4	4870	12700	620	780	FCD84112400	270.00	40.10			420RV5602		84FC56400
	580	230	466	4	2430	6250	620	780	FC84116230	181.00	56.20				4R8404	
	580	320	463	4	4760	11000	620	780	FCD84116320	249.00	36.90		533053.N12BA			86FC58320
	600	440	469.6	6	6350	18100	600	750	FCD84120440	423.00	59.20				4R8407	
	600	440	470	5	7240	17700	600	750	FCD84120440A	420.00	59.80		565467	420RV6011		4CR420A



双列圆柱滚子轴承
Double-row Cylindrical Roller Bearings



NNU0000

双列圆柱滚子轴承 Double-row Cylindrical Roller Bearings

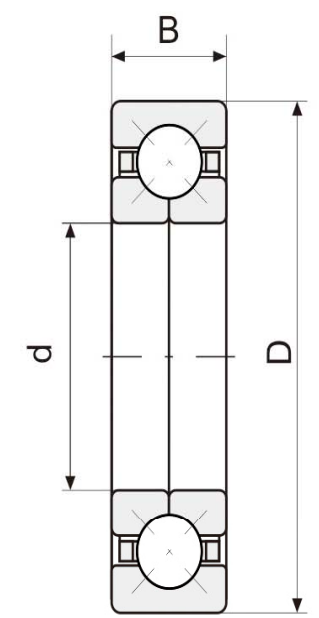
外形尺寸(毫米) Boundary dimensions (mm)					基本额定负荷 (千牛) Basic load ratings (kN)		极限转速 (转/分) Speed rating (rpm)		型号 Designations	重量 (千克) Weight (kg)	相当于国外型号(参考) Equivalent to foreign designations (FYI)	
d	D	B	Fw	r _{min}	Cr	Cor	脂润滑 Grease	油润滑 Oil			SKF	FAG
100	140	40	113	1.1	130	280	3400	4200	NNU4920	2.10	NNU4920	NNU4920
110	150	40	123	1.1	140	290	3100	3850	NNU4922	2.20	NNU4922	NNU4922
120	165	45	134.5	1.1	180	340	2800	3500	NNU4924	2.80	NNU4924	NNU4924
	180	52	135	2.0	240	450	2500	3200	NNU3024X1	4.87		
	190	80	141	2.0	370	710	2500	3100	NNU4124X2	9.00		
	215	86	139	2.1	570	850	2200	2750	NNU4224X1	13.60		
130	180	50	146	1.5	220	470	2500	3100	NNU4926	4.00	NNU4926	NNU4926
140	190	50	156	1.5	280	580	2200	2750	NNU4928	4.20	NNU4928	NNU4928
	210	53	158	2.0	270	590	2100	2600	NNU3028	6.50		
	210	62.5	158	2.0	370	700	2100	2600	NNU4028X1-1	7.90		
	210	77.5	158	2.0	450	950	2100	2600	NNU4028X1-2	9.80		
150	210	60	168.5	2.0	340	730	2000	2500	NNU4930	6.70	NNU4930	NNU4930
	225	60	169	2.1	380	700	1900	2350	NNU3030X1	8.70		
	270	120	180	3.0	930	1710	1600	2000	NNU4230X1	31.50		
160	220	60	178.5	2.0	330	680	1900	2350	NNU4932	6.90	NNU4932	NNU4932
170	230	60	188.5	2.0	340	700	1800	2200	NNU4934	7.25	NNU4934	NNU4934
180	250	69	202	2.0	400	850	1600	2000	NNU4936	10.50	NNU4936	NNU4936
	270	120	202	2.1	790	1650	1400	1800	NNU5036X3	25.80		
190	260	69	212	2.0	420	990	1450	1800	NNU4938	11.50	NNU4938	NNU4938
200	280	80	225	2.1	480	1040	1400	1700	NNU4940	15.00	NNU4940	NNU4940
	310	109	234	2.1	670	1440	1350	1700	NNU4040	32.70		
	310	130	229	2.1	1000	2270	1350	1700	NNU4940X2	38.90		
	360	148	242	4.0	1520	2890	1000	1250	NNU4240X1	71.90		
220	300	80	245	2.1	530	1150	1300	1600	NNU4944	18.00	NNU4944	NNU4944
	340	96	246	3.0	950	1760	950	1250	NNU3044X1	32.80		
240	320	80	265	2.1	620	1450	1200	1500	NNU4948	18.50	NNU4948	NNU4948
	360	165	270	3.0	1310	2950	1150	1420	NNU5048X1	61.70		
260	360	100	292	2.1	750	1900	1100	1350	NNU4952	35.80	NNU4952	NNU4952
	370	100	292	2.1	830	2050	1100	1350	NNU4952X2	37.10		
280	380	100	312	2.1	850	2100	1000	1250	NNU4956	36.00	NNU4956	NNU4956
300	420	118	339	3.0	950	2500	900	1150	NNU4960	54.50	NNU4960	NNU4960
320	440	118	359	3.0	1000	2700	850	1100	NNU4964	58.00	NNU4964	NNU4964



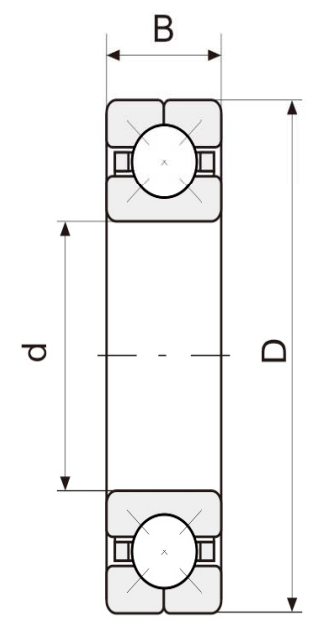
四点接触球轴承
Four-point Contact
Ball Bearings



四点接触球轴承
Four-point Contact
Ball Bearings



QJ0000



QJF0000

四点接触球轴承 Four-point Contact Ball Bearings

外形尺寸(毫米) Boundary dimensions (mm)				基本额定负荷(千牛) Basic load ratings (kN)		极限转速(转/分) Speed rating (rpm)		型号 Designations	重量 (千克) Weight (kg)	相当于国外型号(参考) Equivalent to foreign designations (For your information)			
d	D	B	r _{min}	Cr	Cor	脂润滑 Grease	油润滑 Oil			SKF	FAG	NSK	NTN
100	149.5	24	1.5	80	100	2600	3600	QJ1020X1	1.55				
	149.5	24	1.5	80	100	2600	3600	QJF1020X1	1.55				
	150	24	1.5	80	100	2600	3600	QJ1020	1.55				
	150	24	1.5	80	100	2600	3600	QJF1020	1.55				
110	169.5	28	2.0	110	140	2300	3100	QJ1022X1	2.50				
	169.5	28	2.0	110	140	2300	3100	QJF1022X1	2.50				
	170	28	2.0	110	140	2300	3100	QJ1022	2.50				
	170	28	2.0	110	140	2300	3100	QJF1022	2.50				
	200	38	2.1	239	275	2100	2900	QJ222	5.60	QJ222N2	QJ222N2MPA	QJ222	QJ222
	200	38	2.1	239	275	2100	2900	QJF222	5.60	QA110	QA110		
	240	50	3.0	328	387	1800	2600	QJ322	12.50	QJ322N2	QJ322N2MPA	QJ322	QJ322
	240	50	3.0	328	387	1800	2600	QJF322	12.50				
120	179.5	28	2.0	115	150	2100	2900	QJ1024X1	2.80				
	179.5	28	2.0	115	150	2100	2900	QJF1024X1	2.80				
	180	28	2.0	115	150	2100	2900	QJ1024	2.80				
	180	28	2.0	115	150	2100	2900	QJF1024	2.80				
	215	40	2.1	257	306	1900	2700	QJ224	6.95	QJ224N2	QJ224N2MPA	QJ224	QJ224
	215	40	2.1	257	306	1900	2700	QJF224	6.95	QA120	QA120		
	260	55	3.0	351	441	1600	2200	QJ324	15.60	QJ324N2	QJ324N2MPA	QJ324	QJ324
	260	55	3.0	351	441	1600	2200	QJF324	15.60				
130	199.5	33	2.0	145	195	1900	2700	QJ1026X1	4.13				
	199.5	33	2.0	145	195	1900	2700	QJF1026X1	4.13				
	200	33	2.0	145	195	1900	2700	QJ1026	4.13				
	200	33	2.0	145	195	1900	2700	QJF1026	4.13				
	230	40	3.0	266	329	1800	2600	QJ226	7.75	QJ226N2	QJ226N2MPA	QJ226	
	230	40	3.0	266	329	1800	2600	QJF226	7.75	QA130	QA130		
	280	58	4.0	381	504	1500	2000	QJ326	19.50	QJ326N2	QJ326N2MPA	QJ326	
	280	58	4.0	381	504	1500	2000	QJF326	19.50				
140	209.5	33	2.0	160	205	1800	2600	QJ1028X1	4.21				
	209.5	33	2.0	160	205	1800	2600	QJF1028X1	4.21				
	210	33	2.0	160	205	1800	2600	QJ1028	4.21	QJ1028N2			
	210	33	2.0	160	205	1800	2600	QJF1028	4.21				
	250	42	3.0	293	396	1600	2200	QJ228	9.90	QJ228N2	QJ228N2MPA	QJ228	
	250	42	3.0	293	396	1600	2200	QJF228	9.90	QA140	QA140		
	300	62	4.0	421	576	1300	1800	QJ328	24.00	QJ328N2	QJ328N2MPA	QJ328	
	300	62	4.0	421	576	1300	1800	QJF328	24.00				

四点接触球轴承 Four-point Contact Ball Bearings

外形尺寸(毫米) Boundary dimensions (mm)				基本额定负荷(千牛) Basic load ratings (kN)		极限转速(转/分) Speed rating (rpm)		型号 Designations	重量 (千克) Weight (kg)	相当于国外型号(参考) Equivalent to foreign designations (For your information)			
d	D	B	r _{min}	Cr	Cor	脂润滑 Grease	油润滑 Oil			SKF	FAG	NSK	NTN
145	225	40	2.1	180	305	1700	2400	QJF1029X2	6.40				
150	224.5	35	2.1	170	230	1600	2200	QJ1030X1	5.20				
	224.5	35	2.1	170	230	1600	2200	QJF1030X1	5.20				
	225	35	2.1	170	230	1600	2200	QJ1030	5.20	QJ1030N2			
	225	35	2.1	170	230	1600	2200	QJF1030	5.20				
	270	45	3.0	304	419	1500	2000	QJ230	12.50	QJ230N2	QJ230N2MPA	QJ230	
	270	45	3.0	304	419	1500	2000	QJF230	12.50	QA150	QA150		
	320	65	4.0	444	639	1100	1500	QJ330	29.00	QJ330N2	QJ330N2MPA	QJ330	
	320	65	4.0	444	639	1100	1500	QJF330	29.00				
160	239.5	38	2.1	220	300	1500	2000	QJ1032X1	6.36				
	239.5	38	2.1	220	300	1500	2000	QJF1032X1	6.36				
	240	38	2.1	220	300	1500	2000	QJ1032	6.36	QJ1032N2			
	240	38	2.1	220	300	1500	2000	QJF1032	6.36				
	290	48	3.0	351	513	1300	1800	QJ232	15.50	QJ232N2	QJ232N2MPA	QJ232	
	290	48	3.0	351	513	1300	1800	QJF232	15.50	QA160	QA160		
	340	68	4.0	486	734	1000	1400	QJ332	34.50		QJ332N2MPA	QJ332	
	340	68	4.0	486	734	1000	1400	QJF332	34.50				
170	259.5	42	2.1	225	315	1400	1900	QJ1034X1	8.40				
	259.5	42	2.1	225	315	1400	1900	QJF1034X1-1	8.40				
	260	42	2.1	225	315	1400	1900	QJ1034	8.40	QJ1034N2			
	260	42	2.1	225	315	1400	1900	QJF1034	8.40				
	265	42	2.1	225	315	1400	1900	QJF1034X1-2	9.40				
	310	52	4.0	357	540	1100	1500	QJ234	19.50	QJ234N2	QJ234N2MPA	QJ234	
175	259.5	40	2.1	210	380	1300	1800	QJ1035X2	10.00				
180	249.5	33	2.0	175	345	1300	1800	QJF1936X1	4.80				
	259.5	52	2.1	170	330	1300	1800	QJF3936X1	9.30				
	280	46	2.1	250	365	1200	1600	QJ1036	11.00	QJ1036N2			
	280	46	2.1	250	365	1200	1600	QJF1036	11.00				
	320	52	4.0	392	612	1000	1400	QJ236	20.50	QJ236N2		QJ236	
	320	52	4.0	392	612	1000	1400	QJF236	20.50	QA180	QA180		
190	269.5	55	2.0	200	395	1200	1600	QJF3938X1	10.50				
	289.5	46	2.1	260	380	1100	1500	QJ1038X1	11.40				
	289.5	46	2.1	260	380	1100	1500	QJF1038X1	11.40				
	290	46	2.1	260	380	1100	1500	QJ1038	11.50	QJ1038N2			
	290	46	2.1	260	380	1100	1500	QJF1038	11.50				
	340	55	4.0	439	702	1000	1400	QJ238	24.50	QJ238N2		QJ238	

四点接触球轴承 Four-point Contact Ball Bearings

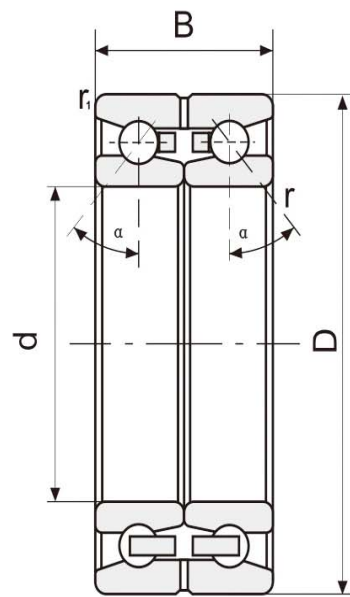
外形尺寸(毫米) Boundary dimensions (mm)				基本额定负荷(千牛) Basic load ratings (kN)		极限转速(转/分) Speed rating (rpm)		型号 Designations	重量 (千克) Weight (kg)	相当于国外型号(参考) Equivalent to foreign designations (For your information)			
d	D	B	r _{min}	Cr	Cor	脂润滑 Grease	油润滑 Oil			SKF	FAG	NSK	NTN
190	340	55	4.0	439	702	1000	1400	QJF238	24.50	QA190	QA190		
200	280	51	2.1	210	420	1100	1500	QJF2940X2	10.30				
	289.5	58	2.1	235	415	1100	1500	QJF3940X3	13.60				
	310	51	2.1	305	475	1000	1400	QJ1040	15.20	QJ1040N2			
	310	51	2.1	305	475	1000	1400	QJF1040	15.20				
	360	58	4.0	456	765	970	1350	QJ240	28.50	QJ240N2	QJ240N2MPA	QJ240	
220	360	58	4.0	456	765	970	1350	QJF240	28.50	QA200	QA200		
	300	60	2.1	160	340	1000	1400	QJF3944	12.50				
	309.5	60	2.1	215	430	1000	1400	QJF3944X1	14.80				
	340	56	3.0	450	620	970	1350	QJ1044	19.50	QJ1044N2			
	340	56	3.0	450	620	970	1350	QJF1044	19.50				
240	329.5	60	2.1	230	480	970	1350	QJF3948X1	16.10				
	340	60	2.1	270	580	950	1300	QJF3948X2	17.80				
	360	56	3.0	460	655	950	1300	QJ1048	22.30	QJ1048N2			
	360	56	3.0	460	655	950	1300	QJF1048	22.30				
260	359.5	65	2.1	280	630	920	1270	QJF2952X2	22.20				
	369.5	60	2.1	300	660	900	1250	QJF2952X1	23.00				
	374.5	60	2.1	300	660	900	1250	QJF2952X3	23.50				
	400	65	4.0	510	765	850	1200	QJ1052	32.60	QJ1052N2			
	400	65	4.0	510	765	850	1200	QJF1052	32.60				
280	375	65	2.1	235	525	850	1200	QJF2956X2	21.00				
	389.5	65	2.1	300	700	820	1180	QJF2956X3	25.50				
	420	65	4.0	540	835	800	1000	QJ1056	34.70	QJ1056N2			
	420	65	4.0	540	835	800	1000	QJF1056	34.70				
300	420	65	3.0	355	870	800	1000	QJF2960X1	30.50				
	460	74	4.0	630	1040	700	950	QJ1060	47.00	QJ1060N2			
	460	74	4.0	630	1040	700	950	QJF1060	47.00				
320	440	65	3.0	360	900	700	950	QJF2964X2	31.00				
	480	74	4.0	650	1090	650	850	QJ1064	49.50	QJ1064			
	480	74	4.0	650	1090	650	850	QJF1064	49.50				
	479.5	74	4.0	650	1090	650	850	QJF1064X1	50.00				
340	519.5	82	5.0	730	1380	620	820	QJ1068X1	66.00				
	519.5	82	5.0	730	1380	620	820	QJF1068X1	66.00				
	520	82	5.0	730	1380	620	820	QJ1068	66.00				
	520	82	5.0	730	1380	620	820	QJF1068	66.00				

双列角接触球轴承 Double Row Angular Contact Ball Bearings

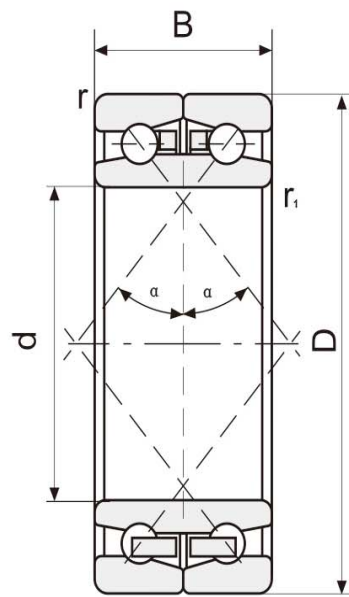
外形尺寸(毫米) Boundary dimensions (mm)				基本额定负荷 (千牛) Basic load ratings (kN)		极限转速 (转/分) Speed rating (rpm)		型号 Designations	重量(千克) Weight (kg)	相当于国外型号(参考) Equivalent to foreign designations (FYI)	
d	D	B	r _{min}	Cr	Cor	脂润滑 Grease	油润滑 Oil			SKF	FAG
130	210	80	2.0	142	235	1850	2500	4026X2D	9.70		
140	209.5	66	2.0	134	237	1800	2400	4028X3D	8.28	309515D	538854
	210	69	2.0	124	217	1800	2400	4028D	10.10		
150	225	73	2.1	159	280	1600	2200	4030X2D	10.50	305286D	510776A
	225	75	2.1	159	280	1600	2200	4030D	10.80		
	230	70	2.1	159	280	1600	2200	4030X3D	11.10	305283D	506963
160	215	56	1.8	132	204	1600	2200	4932X2DC	5.27	305608	514478
	240	76	2.0	232	325	1450	1850	4032X2DC	12.30	305183	507511
	240	80	2.1	171	305	1500	2000	4032D	13.00		
170	259.5	84	2.1	208	385	1400	1900	4934X3D	16.70		
	260	84	2.1	280	405	1300	1700	156134	16.50	305180	503288
	260	90	2.1	208	385	1400	1900	4034D	18.10		538853
180	259.5	66	2.1	153	293	1300	1800	4936X3D	12.00	305262D	509059A
	280	100	2.1	240	451	1300	1800	4036D	23.60		
190	269.5	66	2.1	163	318	1200	1700	4938X3D	11.60	305338D	508658A
	290	100	2.1	247	480	1200	1700	4038D	24.60		
200	279.5	76	2.1	201	387	1100	1600	4940X3D	14.80	305428D	508733A
	289.5	76	2.1	221	439	1100	1600	4940X3D-1	17.30	305263D	509590A
	310	109	2.1	273	558	1100	1600	4040D	31.70		
220	309.5	76	3.0	238	491	1060	1400	4944X3D	18.50	305272D	511045A
	340	118	3.0	309	670	1060	1400	4044D	41.40		
230	329.5	80	3.0	203	423	1020	1400	4946X1D	22.90	305264D	508732A
240	360	118	3.0	315	706	1000	1300	4048D	44.30		
	359.5	118	3.0	315	706	1000	1300	4048X1D	44.10		
	370	112	3.0	314	707	1000	1300	4048X3D	47.00		
	440	144	3.0	475	1139	1000	1300	3248X2D	105.00		
260	369.5	92	4.0	286	652	890	1200	4952X3D	30.00	305270D	508731
	400	140	4.0	376	901	890	1200	4052D	68.00		
280	389.5	92	4.0	278	650	850	1100	4956X3D-1	31.90	305269D	508730
	390	92	4.0	278	650	850	1100	4956X3D	32.00		
	420	140	4.0	383	947	850	1100	4056D	72.00		
300	419.5	112	4.0	350	863	800	1080	4960X3D	50.50		
	460	160	4.0	425	1098	770	1060	4060D	103.00		
320	459.5	140	4.0	396	1022	740	1000	4064X3D	79.90		
	480	160	4.0	432	1142	740	1000	4064D	109.00		
340	520	180	5.0	480	1280	700	900	4068D	135.00		



双列角接触球轴承
Double Row Angular Contact Ball Bearings



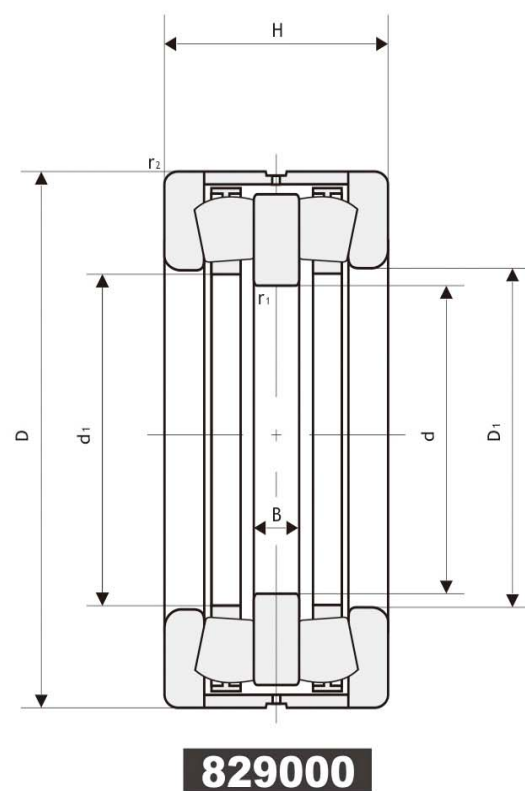
0000D



0000DC

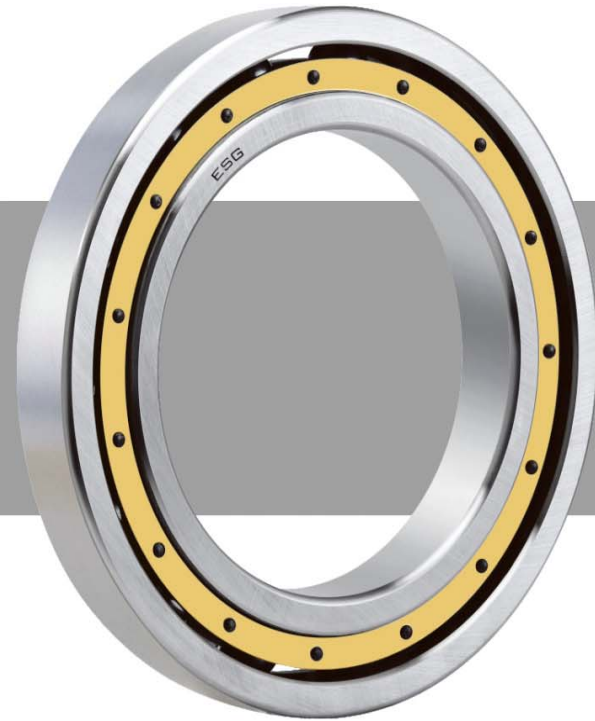


双向双列推力圆锥滚子轴承 Bilateral Double-row Thrust Tapered Roller Bearings

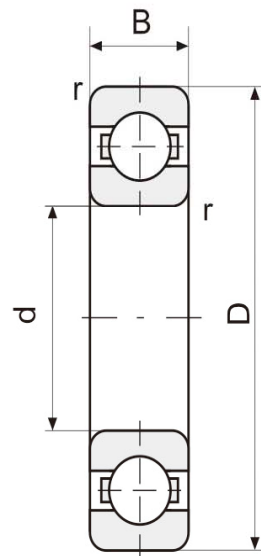


双向双列推力圆锥滚子轴承 Bilateral Double-row Thrust Tapered Roller Bearings

外形尺寸(毫米) Boundary dimensions (mm)						基本额定负荷 (千牛) Basic load ratings (kN)		型号 Designations	重量 (千克) Weight (kg)	相当于国外型号(参考) Equivalent to foreign designations (FYI)	
d	D	H	d1	D1	B	Cr	Cor			SKF	FAG
160	300	110	186	190	34	580	2900	829232	3.5		515805
170	240	84	182	184	20	380	1390	829234	12.5	350980C	528974
180	280	90	192	196	20	580	2900	829736	21.0	353162	528294
220	300	96	231	236	22	450	1800	829244	19.5	351019C	528876
230	400	180	254	260	42	980	4800	829746	114.0		530852
240	320	96	251	256	22	430	2000	829748	21.5	351182C	529086
250	380	100	265	275	22	850	5000	829950	42.3	353005	502010
260	360	92	276	285	20	630	3200	829252	27.7	350981C	509352
270	450	180	300	310	45	1700	6100	829954	118.0	351164C	
300	420	100	324	330	23	890	4500	829260	42.0		524740
320	440	108	348	355	26	990	4700	829264	48.0	353102C	528562
320	470	130	340	350	30	1350	5800	829764	79.0	350982C	509654
350	490	130	380	390	30	1200	5300	829970	73.5	351100C	530739
350	540	135	384	400	30	1750	9200	829970K	112.0	353006	522008
360	560	200	382	396	48	2400	12500	829272	180.0		524194
380	530	130	398	410	30	1800	10000	829276	88.0		513828
380	560	130	416	430	32	1800	10000	829776	108.0	351175C	513125
380	650	215	446	450	65	3400	17200	829976	275.0	BFDB353204	545936
400	650	200	436	450	50	2700	13800	829780	250.0		540162
420	620	170	455	465	35	2420	12200	829784	185.0	351121C	
420	620	170	455	470	35	2420	12200	829784K	182.0		509392
440	645	167	480	490	50	1980	10800	829788	190.0	353151	
450	645	155	480	490	38	1980	10800	829990	170.0	350916D	



深沟球轴承
Deep Groove Ball Bearings



6000

深沟球轴承 Deep Groove Ball Bearings

外形尺寸(毫米) Boundary dimensions (mm)				基本额定负荷 (千牛) Basic load ratings (kN)		极限转速(转/分) Speed rating (rpm)		型号 Designations	重量 (千克) Weight (kg)
d	D	B	r _{min}	C _r	C _{or}	脂润滑 Grease	油润滑 Oil		
90	140	24	1.5	40.3	42.5	3900	5200	6018M	1.10
95	145	24	1.5	42.3	46.5	3700	4900	6019M	1.15
100	140	20	1.1	30.9	37.8	3700	4900	61920M	0.92
	150	24	1.5	44.2	50.6	3500	4700	6020M	1.20
110	150	20	1.1	31.6	40.3	3400	4500	61922M	1.00
	170	28	2.0	55	62.5	3100	4100	6022M	1.89
120	165	22	1.1	39.2	50.9	3000	4000	61924M	1.40
	180	28	2.0	57.1	68.2	2900	3800	6024M	2.10
130	180	24	1.5	48.2	63.5	2800	3700	61926M	1.80
	200	33	2.0	74.3	87.2	2600	3400	6026M	3.08
140	190	24	1.5	51	71	2600	3400	61928M	2.00
	210	33	2.0	80.9	102	2400	3200	6028M	4.11
150	210	28	2.0	62.7	85.2	2300	3100	61930M	3.20
	225	35	2.1	85	110	2200	2900	6030M	5.24
	230	35	2.1	85	110	2200	2900	6030X1M	5.50
155	215	28	2.0	62.4	85.3	2300	3000	61931M	3.20
160	220	28	2.0	64.5	90.5	2200	2900	61932M	3.30
	240	38	2.1	85.8	118	2000	2700	6032M	6.54
170	230	28	2.0	68	100	2000	2700	61934M	3.44
	260	42	2.1	97	137	1900	2500	6034M	8.53
	265	42	2.1	97	137	1900	2500	6034X2-1M	9.00
	270	42	2.1	97	137	1800	2400	6034X2-2M	9.60
180	250	33	2.0	84.6	119	1900	2500	61936M	4.80
	259.5	33	2.0	90	130	1800	2400	63196X2M	6.06
	259.5	52	2.0	98	137	1800	2400	63936X1M	9.56
	260	42	2.0	98	137	1800	2400	62936X2M	7.70
	280	46	2.1	134	180	1700	2300	6036M	11.10
190	240	24	1.5	54.6	84.2	1900	2500	61838M	2.80
	260	33	2.0	90	133	1800	2400	61938M	5.20
	269.5	33	2.0	90	133	1700	2300	61938X1M	6.30
	290	46	2.1	144	200	1600	2200	6038M	11.50
200	250	24	1.5	55.5	87.6	1800	2400	61840M	3.00
	279.5	38	2.1	110	180	1600	2200	61940X1-1M	7.30
	280	38	2.1	110	158	1600	2200	61940M	7.39
	289.5	38	2.1	110	158	1600	2200	61940X1-2M	8.70
	310	51	2.1	159	225	1500	2000	6040M	15.20

深沟球轴承 Deep Groove Ball Bearings

外形尺寸(毫米) Boundary dimensions (mm)				基本额定负荷 (千牛) Basic load ratings (kN)		极限转速(转/分) Speed rating (rpm)		型号 Designations	重量 (千克) Weight (kg)
d	D	B	r _{min}	Cr	Cor	脂润滑 Grease	油润滑 Oil		
220	270	24	1.5	57.3	94.2	1600	2200	61844M	3.20
	300	38	2.1	105	162	1500	2000	61944M	8.20
	300	60	2.1	105	162	1500	2000	63944M	13.00
	309.5	38	3.0	116	178	1450	1930	61944X1M	9.48
	340	56	3.0	172	265	1350	1800	6044M	20.40
230	329.5	40	3.0	1389	215	1350	1800	61946X3M	11.70
240	300	28	2.0	73.6	122	1400	1860	61848M	4.80
	320	38	2.1	119	186	1350	1800	61948M	8.60
	359.5	56	3.0	177	286	1230	1640	6048X1M	19.70
	360	56	3.0	177	286	1230	1640	6048M	20.40
250	359.5	46	2.1	157	254	1200	1600	61950X1M	16.00
260	320	28	2.0	76	131	1300	1720	61852M	5.20
	360	46	2.1	163	269	1180	1570	61952M	14.90
	369.5	46	2.1	163	269	1150	1530	61952X1-2M	16.50
	369.5	60	2.1	163	269	1150	1530	62952X1-1M	21.60
	370	46	2.1	163	269	1150	1530	61952X1-1M	16.60
	374.5	60	2.1	163	269	1140	1520	62952X1-2M	22.70
	400	65	4.0	224	376	1080	1440	6052M	31.00
280	350	33	2.0	99.8	170	1150	1530	61856M	7.60
	375	65	2.1	167	285	1100	1460	62956X3-1M	21.10
	380	46	2.1	168	285	1080	1440	61956M	15.30
	389.5	46	2.1	167	285	1060	1420	61956X1-2M	17.80
	389.5	65	3.0	181	310	1060	1420	62956X3-2M	24.10
	390	46	2.1	167	285	1060	1420	61956X1-1M	17.90
	420	65	4.0	232	407	1000	1340	6056M	32.90
300	380	38	2.1	114	198	1040	1390	61860M	10.70
	419.5	56	3.0	198	349	960	1290	61960X1M	25.00
	420	56	3.0	198	349	960	1290	61960M	25.10
	459.5	74	1.0	257	473	900	1220	6060X1M	47.50
	460	74	4.0	257	473	900	1220	6060M	47.60
320	400	38	2.1	115	205	960	1290	61864M	11.20
	440	56	3.0	212	394	900	1220	61964M	26.20
	459.5	70	4.0	237	442	880	1170	62964X3M	38.30
	480	74	4.0	269	509	850	1130	6064M	48.70
340	420	38	2.1	119	219	900	1220	61868M	11.70
	460	56	3.0	218	418	850	1130	61968M	27.20

深沟球轴承 Deep Groove Ball Bearings

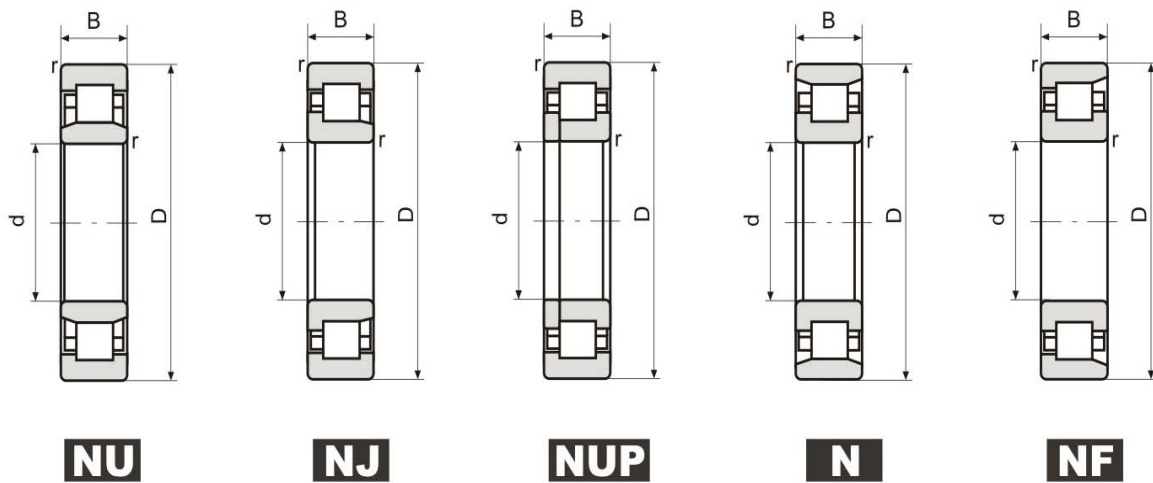
外形尺寸(毫米) Boundary dimensions (mm)				基本额定负荷 (千牛) Basic load ratings (kN)		极限转速(转/分) Speed rating (rpm)		型号 Designations	重量 (千克) Weight (kg)
d	D	B	r _{min}	Cr	Cor	脂润滑 Grease	油润滑 Oil		
340	520	82	5.0	310	596	800	1050	6068M	62.00
360	440	38	2.1	120	226	850	1130	61872M	12.50
	480	56	3.0	223	438	820	1080	61972M	28.50
	540	82	5.0	324	649	760	1000	6072M	64.50
380	480	46	2.1	178	337	800	1050	61876M	20.00
	520	65	4.0	250	505	760	1000	61976M	40.00
	560	82	5.0	336	699	720	950	6076M	67.50
400	500	46	2.1	181	350	760	1000	61880M	20.50
	540	65	4.0	256	533	720	950	61980M	41.50
	600	90	5.0	361	751	670	880	6080M	87.50
420	520	46	2.1	183	363	720	950	61884M	21.50
	560	65	4.0	262	558	690	900	61984M	43.00
	620	90	5.0	376	814	630	830	6084M	91.50



单列圆柱滚子轴承
Single-row Cylindrical Roller Bearings

单列圆柱滚子轴承 Single-row Cylindrical Roller Bearings

外形尺寸(毫米) Boundary dimensions (mm)				基本额定负荷 (千牛) Basic load ratings (kN)		极限转速(转/分) Speed rating (rpm)		型号 Designations	重量 (千克) Weight (kg)
d	D	B	r _{min}	C _r	C _{or}	脂润滑 Grease	油润滑 Oil		
120	180	28	2	132	202	3200	3600	N1024M	2.58
	180	28	2	132	202	3200	3600	NU1024M	2.54
	180	28	2	132	202	3200	3600	NJ1024M	2.57
	215	40	2.1	260	365	2400	3000	N224M	10.50
	215	40	2.1	260	380	2400	3000	NF224M	6.68
	215	40	2.1	260	365	2400	3000	NU224M	6.34
	215	40	2.1	260	365	2400	3000	NJ224M	6.77
	215	58	2.1	370	580	2400	3000	N2224M	9.74
	215	58	2.1	370	580	2400	3000	NU2224M	9.88
	215	58	2.1	370	580	2400	3000	NJ2224M	9.75
	215	58	2.1	420	635	2400	3000	N2224E	8.82
	260	55	3	465	600	1700	2200	N324M	15.20
	260	55	3	465	600	1700	2200	NF324M	15.40
	260	55	3	465	600	1700	2200	NU324M	15.20
	260	55	3	465	600	1700	2200	NJ324M	15.50
260	86	3	660	950	1700	2200	N2324M	23.90	
260	86	3	660	950	1700	2200	NJ2324M	24.30	
310	72	5	560	700	1700	2200	N424M	29.80	
310	72	5	560	700	1700	2200	NU424M	31.40	
310	72	5	560	700	1700	2200	NJ424M	31.90	
130	200	33	2	150	220	3000	3600	N1026M	3.91
	200	33	2	150	220	3000	3600	NF1026M	3.95
	200	33	2	150	220	3000	3600	NU1026M	4.01
	200	33	2	150	220	3000	3600	NJ1026M	4.05
	230	40	3	270	390	2200	2800	N226M	7.49
	230	40	3	270	390	2200	2800	NU226M	7.46
	230	40	3	270	390	2200	2800	NJ226M	7.73
	230	40	3	270	390	2200	2800	NUP226M	7.93
	230	40	3	325	440	2200	2800	NU226E	6.83
	230	40	3	325	440	2200	2800	NU226EM	7.18
	230	64	3	420	680	2200	2800	N2226M	19.80
	230	64	3	420	680	2200	2800	NU2226M	12.20
	230	64	3	420	680	2200	2800	NJ2226M	12.60
	280	58	4	520	680	1600	2000	N326M	18.60
	280	58	4	520	680	1600	2000	NF326M	18.80
280	58	4	520	680	1600	2000	NU326M	18.90	



单列圆柱滚子轴承 Single-row Cylindrical Roller Bearings

外形尺寸(毫米) Boundary dimensions (mm)				基本额定负荷 (千牛) Basic load ratings (kN)		极限转速(转/分) Speed rating (rpm)		型号 Designations	重量 (千克) Weight (kg)
d	D	B	r _{min}	Cr	Cor	脂润滑 Grease	油润滑 Oil		
130	280	58	4	520	680	1600	2000	NJ326M	19.20
	280	93	4	770	1140	1600	2000	N2326M	30.10
	280	93	4	770	1140	1600	2000	NU2326M	30.30
	280	93	4	770	1140	1600	2000	NJ2326M	31.20
	280	93	4	770	1140	1600	2000	NUP2326M	31.60
	340	78	5	760	980	1700	2000	N426M	39.10
	340	78	5	760	980	1700	2000	NU426M	39.40
	340	78	5	760	980	1700	2000	NJ426M	39.90
	140	210	33	2	170	263	2800	3200	N1028M
	210	33	2	170	263	2800	3200	NF1028M	4.15
	210	33	2	170	263	2800	3200	NU1028M	4.19
	210	33	2	170	263	2800	3200	NJ1028M	4.31
	250	42	3	320	460	2000	2600	N228M	9.41
	250	42	3	320	460	2000	2600	NU228M	9.46
	250	42	3	320	460	2000	2600	NJ228M	9.64
	250	68	3	480	760	2000	2600	NJ2228M	16.10
	250	68	3	480	760	2000	2600	N2228M	15.10
	250	68	3	480	760	2000	2600	NU2228M	15.20
	300	62	4	570	760	1800	2200	N328M	22.70
	300	62	4	570	760	1800	2200	NF328M	23.10
	300	62	4	570	760	1800	2200	NU328M	22.90
	300	62	4	570	760	1800	2200	NJ328M	23.30
	300	102	4	890	1300	1800	2200	N2328M	37.50
	300	102	4	890	1300	1800	2200	NU2328M	37.90
	300	102	4	890	1300	1800	2200	NJ2328M	38.60
	300	102	4	890	1300	1800	2200	NUP2328M	39.50
	360	82	5	880	1200	1600	1900	N428M	47.50
	360	82	5	880	1200	1600	1900	NU428M	48.10
	360	82	5	880	1200	1600	1900	NJ428M	49.00
150	225	35	2.1	180	285	2200	2600	NU1030M	5.04
	225	35	2.1	180	285	2200	2600	NJ1030M	5.21
	270	45	3	360	540	1900	2400	N230M	11.90
	270	45	3	360	540	1900	2400	NF230M	11.10
	270	45	3	360	540	1900	2400	NU230M	12.20
	270	45	3	360	540	1900	2400	NJ230M	12.40
	270	45	3	360	540	1900	2400	NUP230M	12.60

单列圆柱滚子轴承 Single-row Cylindrical Roller Bearings

外形尺寸(毫米) Boundary dimensions (mm)				基本额定负荷 (千牛) Basic load ratings (kN)		极限转速(转/分) Speed rating (rpm)		型号 Designations	重量 (千克) Weight (kg)
d	D	B	r _{min}	Cr	Cor	脂润滑 Grease	油润滑 Oil		
150	270	73	3	600	980	1900	2400	NU2230M	19.20
	270	73	3	600	980	1900	2400	NJ2230M	20.10
	320	65	4	630	840	1700	2000	N330M	27.30
	320	65	4	630	840	1700	2000	NF330M	27.80
	320	65	4	630	840	1700	2000	NU330M	27.20
	320	65	4	630	840	1700	2000	NJ330M	28.10
	320	108	4	940	1420	1700	2000	N2330M	45.10
	320	108	4	940	1420	1700	2000	NF2330M	44.90
	320	108	4	940	1420	1700	2000	NU2330M	45.40
	320	108	4	940	1420	1700	2000	NJ2330M	46.30
	380	85	5	930	1200	1500	1800	NU430M	55.80
	160	240	38	2.1	220	350	2200	2800	NU1032M
240		38	2.1	220	350	2200	2800	NJ1032M	6.53
290		48	3	420	630	1800	2200	N232M	10.60
290		48	3	420	630	1800	2200	NU232M	14.90
290		48	3	420	630	1800	2200	NJ232M	15.10
290		48	3	420	630	1800	2200	NUP232M	14.90
290		80	3	700	1150	1800	2200	NJ2232M	25.40
340		68	4	660	920	1500	1800	N332M	31.70
340		68	4	660	920	1500	1800	NF332M	32.40
340		114	4	990	1550	1500	1800	NU2332M	54.20
340		114	4	990	1550	1500	1800	NJ2332M	58.60
170		260	42	2.1	260	410	2000	2600	NU1034M
	260	42	2.1	260	410	2000	2600	NJ1034M	8.39
	310	52	4	480	730	1600	2000	N234M	18.40
	310	52	4	480	730	1600	2000	NF234M	18.60
	310	52	4	480	730	1600	2000	NU234M	18.30
	310	52	4	480	730	1600	2000	NJ234M	18.60
	310	52	4	480	730	1600	2000	NUP234M	19.10
	360	72	4	760	1040	1500	1800	N334M	36.60
	360	72	4	760	1040	1500	1800	NF334M	37.70
	360	72	4	760	1040	1500	1800	NU334M	37.10
	360	72	4	760	1040	1500	1800	NJ334M	38.10
	360	120	4	1120	1780	1300	1600	NU2334M	64.70
360	120	4	1120	1780	1300	1600	NUP2334M	67.40	
180	280	46	2.1	330	530	1800	2400	NU1036M	11.00

单列圆柱滚子轴承 Single-row Cylindrical Roller Bearings

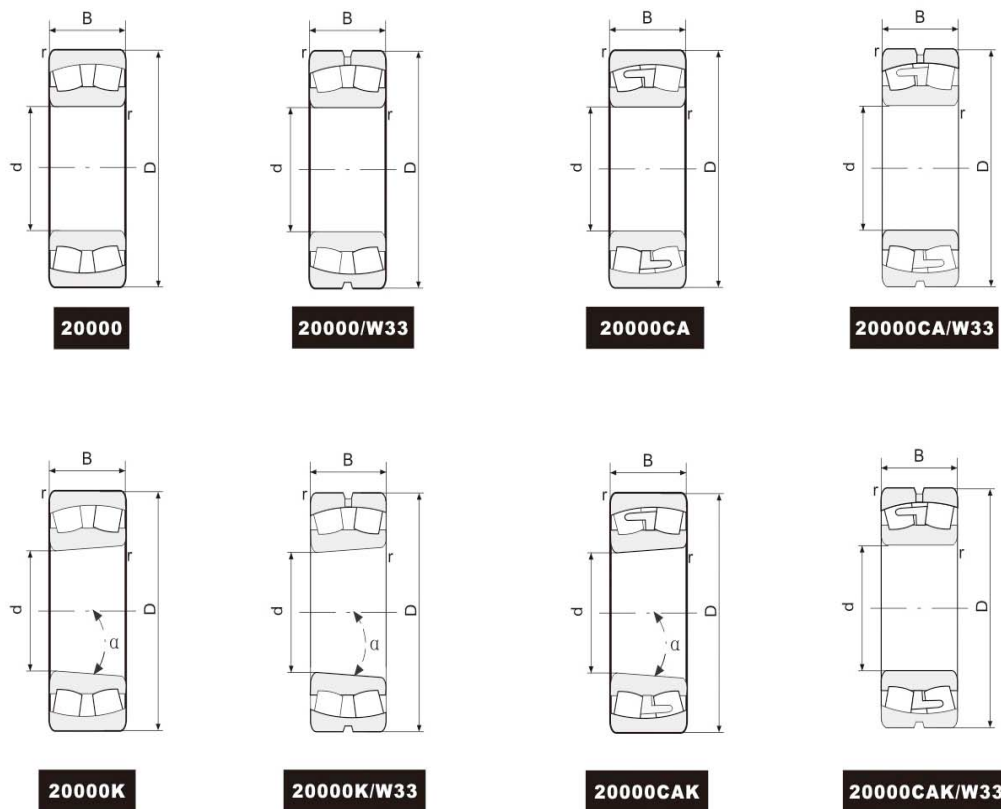
外形尺寸(毫米) Boundary dimensions (mm)				基本额定负荷 (千牛) Basic load ratings (kN)		极限转速(转/分) Speed rating (rpm)		型号 Designations	重量 (千克) Weight (kg)
d	D	B	r _{min}	Cr	Cor	脂润滑 Grease	油润滑 Oil		
180	280	46	2.1	330	530	1800	2400	NJ1036M	11.40
	320	52	4	480	740	1600	1900	N236M	18.90
	320	52	4	480	740	1600	1900	NU236M	19.00
	320	52	4	480	740	1600	1900	NJ236M	19.40
	320	52	4	480	740	1600	1900	NUP236M	19.90
	320	86	4	880	1400	1600	1900	NU2236M	31.50
	320	86	4	880	1400	1600	1900	NJ2236M	31.90
	380	75	4	830	1200	1400	1700	N336M	39.70
	380	75	4	830	1200	1400	1700	NU336M	39.90
	380	126	4	1400	2000	1400	1700	NU2336M	73.90
190	290	46	2.1	340	510	1800	2400	NU1038M	11.00
	340	55	4	540	840	1500	1800	N238M	22.90
	340	55	4	540	840	1500	1800	NU238M	23.30
	340	55	4	540	840	1500	1800	NJ238M	23.80
	340	55	4	540	840	1500	1800	NUP238M	24.40
	340	92	4	940	1500	1500	1800	NU2238M	38.40
	400	78	5	1000	1500	1100	1400	N338M	50.40
	400	78	5	1000	1500	1100	1400	NU338M	51.10
	400	132	5	1500	2200	1100	1400	NU2338M	85.20
	200	310	51	2.1	370	600	1800	2200	N1040M
310		51	2.1	370	600	1800	2200	NF1040M	13.20
310		51	2.1	370	600	1800	2200	NU1040M	15.10
310		51	2.1	370	600	1800	2200	NJ1040M	14.40
360		58	4	610	960	1400	1700	N240M	27.30
360		58	4	610	960	1400	1700	NF240M	27.30
360		58	4	610	960	1400	1700	NU240M	27.50
360		58	4	610	960	1400	1700	NJ240M	28.00
420		80	5	980	1300	1200	1500	NU340M	56.10
420		138	5	1570	2530	1200	1500	N2340M	102.00
220	420	138	5	1570	2530	1200	1500	NU2340M+HJ2340	107.00
	340	56	3	450	730	1700	2000	NU1044M	19.00
	340	56	3	450	730	1700	2000	NJ1044M	19.60
	400	65	4	730	1050	1400	1700	N244M	38.90
	400	65	4	730	1050	1400	1700	NU244M	38.60
400	65	4	730	1150	1400	1700	NJ244M	41.10	

单列圆柱滚子轴承 Single-row Cylindrical Roller Bearings

外形尺寸(毫米) Boundary dimensions (mm)				基本额定负荷 (千牛) Basic load ratings (kN)		极限转速(转/分) Speed rating (rpm)		型号 Designations	重量 (千克) Weight (kg)
d	D	B	r _{min}	Cr	Cor	脂润滑 Grease	油润滑 Oil		
220	400	65	4	730	1150	1400	1700	NUP244M	40.10
	400	108	4	1280	2200	1200	1500	NU2244EM	71.20
	400	108	4	1280	2200	1200	1500	NUP2244EM	73.70
	460	88	5	1100	1600	1100	1300	NU344M	74.90
	460	88	5	1100	1600	1100	1300	NJ344M	78.00
	460	145	5	1890	3080	900	1200	NU2344M	125.00
240	360	56	3	570	1010	1600	1900	NU1048M	20.20
	360	56	3	570	1010	1600	1900	NJ1048M	20.80
	440	72	4	880	1380	1200	1500	N248M	51.60
	440	72	4	880	1380	1200	1500	NU248M	52.70
	440	72	4	880	1380	1200	1500	NJ248M	50.90
	500	95	5	1300	2000	950	1200	NU348M	97.10
260	400	65	4	740	1340	1400	1700	N1052M	30.80
	400	65	4	740	1340	1400	1700	NU1052M	35.60
	400	65	4	740	1340	1400	1700	NJ1052M	36.30
	480	80	5	1100	1800	1000	1300	NU252M	70.30
280	480	130	5	1600	2900	1000	1300	NU2252M	113.00
	420	65	4	600	1100	1200	1500	NU1056M	29.80
	500	80	5	1100	1800	1000	1300	NJ256M	72.20
300	460	74	4	840	1350	1000	1400	NU1060M	45.10
	460	74	4	840	1350	1000	1400	NJ1060M	46.30
	540	85	5	1300	2100	800	1000	NU260M	87.20
320	480	74	4	860	1550	900	1100	NU1064M	49.10
340	520	82	5	1040	1860	800	1000	NU1068M	66.30



调心滚子轴承
Spherical Roller Bearings



调心滚子轴承 Spherical Roller Bearings

外形尺寸(毫米) Boundary dimensions (mm)				基本额定负荷 (千牛) Basic load ratings (kN)		极限转速(转/分) Speed rating (rpm)		型号 Designations	重量 (千克) Weight (kg)
d	D	B	r _{min}	C _r	C _{or}	脂润滑 Grease	油润滑 Oil		
100	180	46	2.1	276	430	2200	3000	22220	5.24
	180	46	2.1	276	430	2200	3000	22220/W33	5.18
	180	46	2.1	276	430	2200	3000	22220K	5.13
	180	46	2.1	276	430	2200	3000	22220K/W33	5.07
	215	73	3	455	660	1700	2200	22320	13.10
	215	73	3	455	660	1700	2200	22320/W33	13.00
	215	73	3	455	660	1700	2200	22320K	12.80
	215	73	3	455	660	1700	2200	22320K/W33	12.70
	150	37	1.5	210	345	2200	2800	23020	2.36
	150	37	1.5	210	345	2200	2800	23020/W33	2.16
	150	37	1.5	210	345	2200	2800	23020K	2.29
	150	37	1.5	210	345	2200	2800	23020K/W33	2.09
	165	52	2	200	410	2000	2800	23120	4.56
	165	52	2	200	410	2000	2800	23120/W33	4.47
	165	52	2	200	410	2000	2800	23120K	4.40
	165	52	2	200	410	2000	2800	23120K/W33	4.33
180	180	60.3	2.1	242	460	1700	2200	23220	6.93
	180	60.3	2.1	242	460	1700	2200	23220/W33	6.90
	180	60.3	2.1	242	460	1700	2200	23220K	6.74
	180	60.3	2.1	410	615	1700	2200	23220	6.58
	150	50	1.5	267	345	1700	2100	24020/W33	3.07
	150	50	1.5	267	345	1700	2100	24020K	3.05
	150	50	1.5	267	345	1700	2100	24020K/W33	3.02
	165	65	2	345	640	1100	1600	24120	5.71
	165	65	2	345	640	1100	1600	24120/W33	5.54
	165	65	2	345	640	1100	1600	24120K	5.62
	165	65	2	345	640	1100	1600	24120K/W33	5.45
	105	175	56	2	365	585	1950	2700	23121
175		56	2	365	585	1950	2700	23121/W33	5.46
175		56	2	365	585	1950	2700	23121K	5.31
175		56	2	365	585	1950	2700	23121K/W33	5.29
110	200	53	2.1	320	515	2000	2800	22222	7.26
	200	53	2.1	320	515	2000	2800	22222/W33	7.19
	200	53	2.1	320	515	2000	2800	22222K	7.19
	200	53	2.1	320	515	2000	2800	22222K/W33	7.10
	240	80	3	570	830	1600	2000	22322	18.10

调心滚子轴承 Spherical Roller Bearings

外形尺寸(毫米) Boundary dimensions (mm)				基本额定负荷 (千牛) Basic load ratings (kN)		极限转速(转/分) Speed rating (rpm)		型号 Designations	重量 (千克) Weight (kg)
d	D	B	r _{min}	Cr	Cor	脂润滑 Grease	油润滑 Oil		
110	240	80	3	570	830	1600	2000	22322/W33	17.90
	240	80	3	570	830	1600	2000	22322K	17.60
	240	80	3	570	830	1600	2000	22322K/W33	17.40
	170	45	2	200	395	2200	3000	23022	3.95
	170	45	2	200	395	2200	3000	23022/W33	3.93
	170	45	2	200	395	2200	3000	23022K	3.83
	170	45	2	200	395	2200	3000	23022K/W33	3.81
	180	56	2	206	445	1900	2600	23122	5.99
	180	56	2	206	445	1900	2600	23122/W33	5.97
	180	56	2	206	445	1900	2600	23122K	5.81
	200	69.8	2.1	315	545	1600	2000	23222	10.60
	200	69.8	2.1	315	545	1600	2000	23222/W33	10.40
	200	69.8	2.1	315	545	1600	2000	23222K	10.30
	200	69.8	2.1	315	545	1600	2000	23222K/W33	10.10
	170	60	2	365	650	1500	2050	24022	5.11
	170	60	2	365	650	1500	2050	24022/W33	5.08
	170	60	2	365	650	1500	2050	24022K	5.02
	170	60	2	365	650	1500	2050	24022K/W33	4.99
180	69	2	252	495	1000	1400	24122/W33	6.02	
180	69	2	455	790	1000	1400	24122	7.17	
180	69	2	455	790	1000	1400	24122K	7.06	
180	69	2	455	790	1000	1400	24122K/W33	6.56	
120	215	58	2.1	380	620	1900	2600	22224	10.10
	215	58	2.1	380	620	1900	2600	22224/W33	9.11
	215	58	2.1	380	620	1900	2600	22224K	9.11
	215	58	2.1	380	620	1900	2600	22224K/W33	8.99
	215	70	2.1	455	700	1900	2600	22224X2	10.90
	260	86	3	635	975	1400	1800	22324	22.20
	260	86	3	635	975	1400	1800	22324/W33	22.10
	260	86	3	635	975	1400	1800	22324K	21.70
	260	86	3	635	975	1400	1800	22324K/W33	21.40
	180	46	2	205	445	2000	2800	23024	4.10
	180	46	2	205	445	2000	2800	23024/W33	4.08
	180	46	2	205	445	2000	2800	23024K	3.97
	180	46	2	205	445	2000	2800	23024K/W33	3.95
	200	62	2	296	575	1800	2400	23124	7.53

调心滚子轴承 Spherical Roller Bearings

外形尺寸(毫米) Boundary dimensions (mm)				基本额定负荷 (千牛) Basic load ratings (kN)		极限转速(转/分) Speed rating (rpm)		型号 Designations	重量 (千克) Weight (kg)
d	D	B	r _{min}	Cr	Cor	脂润滑 Grease	油润滑 Oil		
120	200	62	2	296	575	1800	2400	23124/W33	7.49
	200	62	2	296	575	1800	2400	23124K	7.45
	200	62	2	296	575	1800	2400	23124K/W33	7.41
	215	76	2.1	390	700	1500	1900	23224	11.70
	215	76	2.1	390	700	1500	1900	23224/W33	11.40
	215	76	2.1	390	700	1500	1900	23224K	11.30
	215	76	2.1	390	700	1500	1900	23224K/W33	11.00
	180	60	2	231	470	1600	2000	24024	6.33
	180	60	2	231	470	1600	2000	24024/W33	6.30
	200	80	2	515	980	950	1200	24124	10.40
	200	80	2	515	980	950	1200	24124K	10.20
	200	80	2	515	980	950	1200	24124K/W33	10.20
130	230	64	3	445	760	1800	2400	22226	11.50
	230	64	3	445	760	1800	2400	22226/W33	11.40
	230	64	3	445	760	1800	2400	22226K	11.30
	230	64	3	445	760	1800	2400	22226K/W33	11.20
	280	93	4	700	1110	1300	1700	22326	28.20
	280	93	4	700	1110	1300	1700	22326/W33	28.10
	280	93	4	700	1110	1300	1700	22326K	27.60
	280	93	4	700	1110	1300	1700	22326K/W33	27.50
	200	52	2	270	575	1900	2600	23026	6.30
	200	52	2	270	575	1900	2600	23026/W33	6.27
	200	52	2	270	575	1900	2600	23026K	6.12
	200	52	2	270	575	1900	2600	23026K/W33	6.09
	210	64	2	325	625	1700	2200	23126	8.89
	210	64	2	325	625	1700	2200	23126/W33	8.63
	210	64	2	325	625	1700	2200	23126K	8.61
	210	64	2	325	625	1700	2200	23126K/W33	8.35
	230	80	3	430	790	1300	1700	23226	14.80
	230	80	3	430	790	1300	1700	23226/W33	14.50
230	80	3	430	790	1300	1700	23226K	14.30	
230	80	3	430	790	1300	1700	23226K/W33	14.10	
200	69	2	281	585	1500	1900	24026	7.64	
200	69	2	281	585	1500	1900	24026/W33	7.58	
200	69	2	465	855	1500	1900	24026K	7.77	
200	69	2	465	855	1500	1900	24026K/W33	7.74	

调心滚子轴承 Spherical Roller Bearings

外形尺寸(毫米) Boundary dimensions (mm)				基本额定负荷 (千牛) Basic load ratings (kN)		极限转速(转/分) Speed rating (rpm)		型号 Designations	重量 (千克) Weight (kg)
d	D	B	r _{min}	Cr	Cor	脂润滑 Grease	油润滑 Oil		
130	210	80	2	530	1030	900	1100	24126	11.10
	210	80	2	530	1030	900	1100	24126/W33	11.00
	210	80	2	530	1030	900	1100	24126K	10.90
	210	80	2	530	1030	900	1100	24126K/W33	10.80
140	250	68	3	530	855	1700	2200	22228	14.20
	250	68	3	530	855	1700	2200	22228/W33	14.10
	250	68	3	530	855	1700	2200	22228K	13.90
	250	68	3	530	855	1700	2200	22228K/W33	13.80
300	102	4	815	1290	1100	1500	22328	34.90	
	102	4	815	1290	1100	1500	22328/W33	34.60	
300	102	4	815	1290	1100	1500	22328K	34.10	
	102	4	815	1290	1100	1500	22328K/W33	33.80	
210	53	2	285	590	1800	2400	23028	6.80	
	53	2	285	590	1800	2400	23028/W33	6.74	
210	53	2	285	590	1800	2400	23028K	6.60	
	53	2	285	590	1800	2400	23028K/W33	6.54	
225	68	2.1	390	770	1600	2000	23128	10.90	
	68	2.1	390	770	1600	2000	23128/W33	10.90	
225	68	2.1	390	770	1600	2000	23128K	10.70	
	68	2.1	390	770	1600	2000	23128K/W33	10.60	
250	88	3	775	1212	1200	1600	23228	18.90	
	88	3	775	1212	1200	1600	23228/W33	18.80	
250	88	3	775	1212	1200	1600	23228K	18.60	
	88	3	775	1212	1200	1600	23228K/W33	18.50	
210	69	2	282	610	1400	1800	24028	8.86	
	69	2	282	610	1400	1800	24028/W33	8.83	
210	69	2	282	610	1400	1800	24028K	8.72	
	69	2	282	610	1400	1800	24028K/W33	8.69	
225	85	2.1	620	1240	850	1100	24128	13.00	
	85	2.1	620	1240	850	1100	24128/W33	13.00	
225	85	2.1	620	1240	850	1100	24128K	12.80	
	85	2.1	620	1240	850	1100	24128K/W33	12.70	
150	270	73	3	550	950	1600	2000	22230	18.50
	270	73	3	550	950	1600	2000	22230/W33	18.40
	270	73	3	550	950	1600	2000	22230K	18.10
	270	73	3	550	950	1600	2000	22230K/W33	18.00

调心滚子轴承 Spherical Roller Bearings

外形尺寸(毫米) Boundary dimensions (mm)				基本额定负荷 (千牛) Basic load ratings (kN)		极限转速(转/分) Speed rating (rpm)		型号 Designations	重量 (千克) Weight (kg)
d	D	B	r _{min}	Cr	Cor	脂润滑 Grease	油润滑 Oil		
150	320	108	4	910	1530	1000	1400	22330	41.50
	320	108	4	910	1530	1000	1400	22330/W33	41.10
	320	108	4	910	1530	1000	1400	22330K	40.60
	320	108	4	910	1530	1000	1400	22330K/W33	40.20
225	56	2.1	325	735	1700	2200	23030	8.43	
	56	2.1	325	735	1700	2200	23030/W33	7.83	
225	56	2.1	325	735	1700	2200	23030K	8.19	
	56	2.1	325	735	1700	2200	23030K/W33	7.59	
250	80	2.1	415	980	1400	1800	23130	16.70	
	80	2.1	415	980	1400	1800	23130/W33	16.50	
250	80	2.1	415	980	1400	1800	23130K	16.10	
	80	2.1	415	980	1400	1800	23130K/W33	15.90	
270	96	3	700	1420	1100	1500	23230	24.30	
	96	3	700	1420	1100	1500	23230/W33	24.00	
270	96	3	700	1420	1100	1500	23230K	23.60	
	96	3	700	1420	1100	1500	23230K/W33	23.30	
225	75	2.1	335	740	1300	1700	24030	10.60	
	75	2.1	335	740	1300	1700	24030/W33	10.60	
225	75	2.1	335	740	1300	1700	24030K	10.40	
	75	2.1	335	740	1300	1700	24030K/W33	10.30	
250	100	2.1	765	1500	800	1000	24130	19.50	
	100	2.1	765	1500	800	1000	24130/W33	19.40	
250	100	2.1	765	1500	800	1000	24130K	19.20	
	100	2.1	765	1500	800	1000	24130K/W33	19.10	
160	290	80	3	645	1120	1500	1900	22232	22.50
	290	80	3	645	1120	1500	1900	22232/W33	23.50
	290	80	3	645	1120	1500	1900	22232K	23.20
	290	80	3	645	1120	1500	1900	22232K/W33	23.00
340	114	4	900	1620	1000	1300	22332	50.30	
	114	4	900	1620	1000	1300	22332/W33	49.80	
340	114	4	900	1620	1000	1300	22332K	49.80	
	114	4	900	1620	1000	1300	22332K/W33	49.40	
240	60	2.1	355	775	1700	2200	23032	10.20	
	60	2.1	355	775	1700	2200	23032/W33	10.10	
240	60	2.1	355	775	1700	2200	23032K	9.90	
	60	2.1	355	775	1700	2200	23032K/W33	9.76	

调心滚子轴承 Spherical Roller Bearings

外形尺寸(毫米) Boundary dimensions (mm)				基本额定负荷 (千牛) Basic load ratings (kN)		极限转速(转/分) Speed rating (rpm)		型号 Designations	重量 (千克) Weight (kg)
d	D	B	r _{min}	Cr	Cor	脂润滑 Grease	油润滑 Oil		
160	270	86	2.1	495	975	1300	1700	23132	21.20
	270	86	2.1	495	975	1300	1700	23132/W33	21.00
	270	86	2.1	495	975	1300	1700	23132K	20.60
	270	86	2.1	495	975	1300	1700	23132K/W33	20.40
	290	104	3	600	1260	1000	1400	23232	26.50
	290	104	3	600	1260	1000	1400	23232/W33	26.20
	290	104	3	600	1260	1000	1400	23232K	25.60
	290	104	3	600	1260	1000	1400	23232K/W33	25.30
	240	80	2.1	390	865	1100	1500	24032	12.90
	240	80	2.1	390	865	1100	1500	24032/W33	12.80
	240	80	2.1	390	865	1100	1500	24032K	12.70
	240	80	2.1	390	865	1100	1500	24032K/W33	12.60
	270	109	2.1	590	1230	700	900	24132	26.00
	270	109	2.1	590	1230	700	900	24132/W33	26.00
	270	109	2.1	590	1230	700	900	24132K	25.80
	270	109	2.1	590	1230	700	900	24132K/W33	25.70
170	310	86	4	730	1300	1300	1700	22234	28.90
	310	86	4	730	1300	1300	1700	22234/W33	27.60
	310	86	4	730	1300	1300	1700	22234K	27.60
	310	86	4	730	1300	1300	1700	22234K/W33	28.30
	360	120	4	1100	1860	950	1300	22334	60.10
	360	120	4	1100	1860	950	1300	22334/W33	59.60
	360	120	4	1100	1860	950	1300	22334K	58.80
	360	120	4	1100	1860	950	1300	22334K/W33	58.30
	260	67	2.1	450	985	1600	2000	23034	13.70
	260	67	2.1	450	985	1600	2000	23034/W33	13.60
	260	67	2.1	450	985	1600	2000	23034K	13.30
	280	88	2.1	645	1250	1200	1600	23134	23.00
	280	88	2.1	645	1250	1200	1600	23134/W33	22.80
	280	88	2.1	645	1250	1200	1600	23134K	22.30
	280	88	2.1	645	1250	1200	1600	23134K/W33	22.10
	310	110	4	710	1480	950	1300	23234	36.10
	310	110	4	710	1480	950	1300	23234/W33	35.90
	310	110	4	710	1480	950	1300	23234K	35.90
	310	110	4	710	1480	950	1300	23234K/W33	35.70
	260	90	2.1	830	1630	1000	1400	24034	18.00

调心滚子轴承 Spherical Roller Bearings

外形尺寸(毫米) Boundary dimensions (mm)				基本额定负荷 (千牛) Basic load ratings (kN)		极限转速(转/分) Speed rating (rpm)		型号 Designations	重量 (千克) Weight (kg)
d	D	B	r _{min}	Cr	Cor	脂润滑 Grease	油润滑 Oil		
170	260	90	2.1	830	1630	1000	1400	24034/W33	17.90
	260	90	2.1	830	1630	1000	1400	24034K	17.70
	260	90	2.1	830	1630	1000	1400	24034K/W33	17.60
	280	109	2.1	980	2010	670	850	24134	26.50
	280	109	2.1	980	2010	670	850	24134/W33	26.40
	280	109	2.1	980	2010	670	850	24134K	26.10
	280	109	2.1	980	2010	670	850	24134K/W33	26.00
	180	320	86	4	750	1370	1300	1700	22236
320	86	4	750	1370	1300	1700	22236/W33	29.50	
320	86	4	750	1370	1300	1700	22236K	30.40	
320	86	4	750	1370	1300	1700	22236K/W33	28.80	
380	126	4	1180	2010	900	1200	22336	70.90	
380	126	4	1180	2010	900	1200	22336/W33	70.10	
380	126	4	1180	2010	900	1200	22336K	69.70	
380	126	4	1180	2010	900	1200	22336K/W33	68.90	
280	74	2.1	500	1110	1400	1800	23036	18.10	
280	74	2.1	500	1110	1400	1800	23036/W33	17.80	
280	74	2.1	500	1110	1400	1800	23036K	17.60	
280	74	2.1	500	1110	1400	1800	23036K/W33	17.30	
300	96	3	700	1420	1100	1500	23136	28.70	
300	96	3	700	1420	1100	1500	23136/W33	28.50	
300	96	3	700	1420	1100	1500	23136K	27.90	
300	96	3	700	1420	1100	1500	23136K/W33	27.60	
320	112	4	750	1600	900	1200	23236	39.70	
320	112	4	750	1600	900	1200	23236/W33	39.50	
320	112	4	750	1600	900	1200	23236K	38.60	
320	112	4	750	1600	900	1200	23236K/W33	38.40	
250	52	2	465	895	1700	2200	23936	7.80	
250	52	2	465	895	1700	2200	23936/W33	7.70	
250	52	2	465	895	1700	2200	23936K	7.60	
250	52	2	465	895	1700	2200	23936K/W33	7.50	
280	100	2.1	755	1510	950	1300	24036	22.50	
280	100	2.1	755	1510	950	1300	24036/W33	22.40	
280	100	2.1	935	1800	950	1300	24036K	22.40	
280	100	2.1	935	1800	950	1300	24036K/W33	22.30	
300	118	3	1160	2120	630	800	24136	33.00	

调心滚子轴承 Spherical Roller Bearings

外形尺寸(毫米) Boundary dimensions (mm)				基本额定负荷 (千牛) Basic load ratings (kN)		极限转速(转/分) Speed rating (rpm)		型号 Designations	重量 (千克) Weight (kg)
d	D	B	r _{min}	Cr	Cor	脂润滑 Grease	油润滑 Oil		
180	300	118	3	1160	2120	630	800	24136/W33	32.80
	300	118	3	1160	2120	630	800	24136K	32.50
	300	118	3	1160	2120	630	800	24136K/W33	32.30
190	280	67	2.1	600	1260	978	1200	53738	14.80
	340	92	4	800	1470	1200	1600	22238	37.00
	340	92	4	800	1470	1200	1600	22238/W33	36.60
	340	92	4	800	1470	1200	1600	22238K	36.20
	340	92	4	800	1470	1200	1600	22238K/W33	35.80
	400	132	5	1310	2260	850	1100	22338	82.60
	400	132	5	1310	2260	850	1100	22338/W33	81.50
	400	132	5	1310	2260	850	1100	22338K	80.90
	400	132	5	1310	2260	850	1100	22338K/W33	79.80
	290	75	2.1	560	1200	1200	1700	23038	19.60
	290	75	2.1	560	1200	1200	1700	23038/W33	19.40
	290	75	2.1	560	1200	1200	1700	23038K	19.00
	290	75	2.1	560	1200	1200	1700	23038K/W33	18.80
	320	104	3	730	1580	1000	1400	23138	35.60
	320	104	3	730	1580	1000	1400	23138/W33	35.50
	320	104	3	730	1580	1000	1400	23138K	35.40
	320	104	3	730	1580	1000	1400	23138K/W33	35.20
	340	120	4	840	1790	850	1100	23238	46.30
	340	120	4	840	1790	850	1100	23238/W33	45.80
	340	120	4	840	1790	850	1100	23238K	44.90
	340	120	4	840	1790	850	1100	23238K/W33	44.40
	260	52	2	465	935	1700	2200	23938	8.35
	260	52	2	465	935	1700	2200	23938/W33	8.25
	260	52	2	465	935	1700	2200	23938K	8.10
	260	52	2	465	935	1700	2200	23938K/W33	8.00
	290	100	2.1	605	1380	950	1300	24038	23.80
	290	100	2.1	605	1380	950	1300	24038/W33	23.00
	290	100	2.1	605	1380	950	1300	24038K	23.40
	290	100	2.1	605	1380	950	1300	24038K/W33	22.60
	320	128	3	1250	2520	600	750	24138	43.50
	320	128	3	1250	2520	600	750	24138/W33	43.30
	320	128	3	1250	2520	600	750	24138K	42.80
	320	128	3	1250	2520	600	750	24138K/W33	42.60

调心滚子轴承 Spherical Roller Bearings

外形尺寸(毫米) Boundary dimensions (mm)				基本额定负荷 (千牛) Basic load ratings (kN)		极限转速(转/分) Speed rating (rpm)		型号 Designations	重量 (千克) Weight (kg)
d	D	B	r _{min}	Cr	Cor	脂润滑 Grease	油润滑 Oil		
200	360	98	4	940	1690	1000	1500	22240	44.20
	360	98	4	940	1690	1000	1500	22240/W33	43.20
	360	98	4	940	1690	1000	1500	22240K	43.20
	360	98	4	940	1690	1000	1500	22240K/W33	42.20
	420	138	5	1410	2450	800	1100	22340	96.00
	420	138	5	1410	2450	800	1100	22340/W33	95.00
	420	138	5	1410	2450	800	1100	22340K	94.00
	420	138	5	1410	2450	800	1100	22340K/W33	93.00
	310	82	2.1	595	1240	1100	1600	23040	25.00
	310	82	2.1	595	1240	1100	1600	23040/W33	24.70
	310	82	2.1	595	1240	1100	1600	23040K	24.30
	310	82	2.1	595	1240	1100	1600	23040K/W33	24.10
	340	112	3	760	1670	950	1300	23140	40.60
	340	112	3	760	1670	950	1300	23140/W33	40.20
	340	112	3	760	1670	950	1300	23140K	39.20
	340	112	3	760	1670	950	1300	23140K/W33	38.90
	360	128	4	860	1860	850	1100	23240	57.60
	360	128	4	945	1860	850	1100	23240/W33	57.10
	360	128	4	945	1860	850	1100	23240K	55.90
	360	128	4	945	1860	850	1100	23240K/W33	55.40
	310	109	2.1	685	1560	900	1200	24040	28.70
	310	109	2.1	685	1560	900	1200	24040/W33	28.60
	310	109	2.1	685	1560	900	1200	24040K	28.30
	310	109	2.1	685	1560	900	1200	24040K/W33	28.10
	340	140	3	1430	2920	560	700	24140	52.10
	340	140	3	1430	2920	560	700	24140/W33	51.90
	340	140	3	1430	2920	560	700	24140K	51.30
	340	140	3	1430	2920	560	700	24140K/W33	51.10
220	400	108	4	1200	2170	950	1300	22244	62.00
	400	108	4	1200	2170	950	1300	22244/W33	61.50
	400	108	4	1200	2170	950	1300	22244K	61.70
	400	108	4	1200	2170	950	1300	22244K/W33	60.10
	460	145	5	1680	2990	750	950	22344	120.00
	460	145	5	1680	2990	750	950	22344/W33	119.00
	460	145	5	1680	2990	750	950	22344K	118.00
	460	145	5	1680	2990	750	950	22344K/W33	117.00

调心滚子轴承 Spherical Roller Bearings

外形尺寸(毫米) Boundary dimensions (mm)				基本额定负荷 (千牛) Basic load ratings (kN)		极限转速(转/分) Speed rating (rpm)		型号 Designations	重量 (千克) Weight (kg)
d	D	B	r _{min}	Cr	Cor	脂润滑 Grease	油润滑 Oil		
220	340	90	3	780	1650	1050	1500	23044	30.40
	340	90	3	780	1650	1050	1500	23044/W33	30.10
	340	90	3	780	1650	1050	1500	23044K	29.50
	340	90	3	780	1650	1050	1500	23044K/W33	29.20
	370	120	4	1330	2430	900	1200	23144	54.80
	370	120	4	1330	2430	900	1200	23144/W33	54.50
	370	120	4	1330	2430	900	1200	23144K	54.10
	370	120	4	1330	2430	900	1200	23144K/W33	53.80
	400	144	4	1200	2410	750	950	23244	82.20
	400	144	4	1200	2410	750	950	23244/W33	81.70
	400	144	4	1200	2410	750	950	23244K	79.90
	400	144	4	1200	2410	750	950	23244K/W33	79.40
	300	60	2.1	546	1080	1500	1900	23944	13.00
	300	60	2.1	546	1080	1500	1900	23944/W33	12.70
	340	118	3	845	1910	850	1100	24044	40.00
	340	118	3	845	1910	850	1100	24044/W33	39.90
340	118	3	845	1910	850	1100	24044K	39.40	
340	118	3	845	1910	850	1100	24044K/W33	39.30	
370	150	4	1640	3450	500	650	24144	67.20	
370	150	4	1640	3450	500	650	24144/W33	67.00	
370	150	4	1640	3450	500	650	24144K	66.20	
370	150	4	1640	3450	500	650	24144K/W33	66.00	
240	440	120	4	1460	2670	900	1200	22248	84.90
	440	120	4	1460	2670	900	1200	22248/W33	83.90
	440	120	4	1460	2670	900	1200	22248K	83.90
	440	120	4	1460	2670	900	1200	22248K/W33	83.10
	500	155	5	1910	3500	670	850	22348	151.00
	500	155	5	1910	3500	670	850	22348/W33	150.00
	500	155	5	1910	3500	670	850	22348K	148.00
	500	155	5	1910	3500	670	850	22348K/W33	147.00
	360	92	3	835	1810	1000	1200	23048	35.00
	360	92	3	835	1810	1000	1200	23048/W33	34.70
	360	92	3	835	1810	1000	1200	23048K	34.70
	360	92	3	835	1810	1000	1200	23048K/W33	33.70
	400	128	4	1070	2500	850	1100	23148	67.60
	400	128	4	1070	2500	850	1100	23148/W33	67.20

调心滚子轴承 Spherical Roller Bearings

外形尺寸(毫米) Boundary dimensions (mm)				基本额定负荷 (千牛) Basic load ratings (kN)		极限转速(转/分) Speed rating (rpm)		型号 Designations	重量 (千克) Weight (kg)	
d	D	B	r _{min}	Cr	Cor	脂润滑 Grease	油润滑 Oil			
240	400	128	4	1070	2500	850	1100	23148K	66.70	
	400	128	4	1070	2500	850	1100	23148K/W33	66.30	
	440	160	4	1560	3200	670	850	23248	109.00	
	440	160	4	1560	3200	670	850	23248/W33	108.00	
	440	160	4	1560	3200	670	850	23248K	106.00	
	440	160	4	1560	3200	670	850	23248K/W33	105.00	
	320	60	2.1	635	1310	1300	1700	23948	13.90	
	320	60	2.1	635	1310	1300	1700	23948/W33	13.70	
	320	60	2.1	635	1310	1300	1700	23948K	13.40	
	360	118	3	885	2090	800	1000	24048	42.00	
	360	118	3	885	2090	800	1000	24048/W33	41.80	
	360	118	3	885	2090	800	1000	24048K	41.30	
	360	118	3	885	2090	800	1000	24048K/W33	41.70	
	260	480	130	5	1990	3600	850	1100	22252	109.00
		480	130	5	1990	3600	850	1100	22252/W33	108.00
		480	130	5	1990	3600	850	1100	22252K	107.00
480		130	5	1990	3600	850	1100	22252K/W33	106.00	
540		165	6	2190	4000	630	800	22352	191.00	
540		165	6	2190	4000	630	800	22352/W33	190.00	
540		165	6	2190	4000	630	800	22352K	188.00	
540		165	6	2190	4000	630	800	22352K/W33	186.00	
400		104	4	1000	2350	900	1200	23052	47.20	
400		104	4	1000	2350	900	1200	23052/W33	46.80	
400		104	4	1000	2350	900	1200	23052K	46.30	
400		104	4	1000	2350	900	1200	23052K/W33	45.80	
440		144	4	1290	3050	800	1000	23152	90.80	
440		144	4	1290	3050	800	1000	23152/W33	89.80	
440		144	4	1290	3050	800	1000	23152K	89.60	
440		144	4	1290	3050	800	1000	23152K/W33	88.60	
480	174	5	2070	3650	630	800	23252	146.00		
480	174	5	2070	3650	630	800	23252/W33	144.00		
480	174	5	2070	3650	630	800	23252K	144.00		
480	174	5	2070	3650	630	800	23252K/W33	143.00		
360	75	2.1	940	1990	1100	1500	23952	23.90		
360	75	2.1	940	1990	1100	1500	23952/W33	23.40		
360	75	2.1	940	1990	1100	1500	23952K	23.30		

调心滚子轴承 Spherical Roller Bearings

外形尺寸(毫米) Boundary dimensions (mm)				基本额定负荷 (千牛) Basic load ratings (kN)		极限转速(转/分) Speed rating (rpm)		型号 Designations	重量 (千克) Weight (kg)
d	D	B	r _{min}	Cr	Cor	脂润滑 Grease	油润滑 Oil		
260	360	75	2.1	940	1990	1100	1500	23952K/W33	22.20
	400	140	4	1320	2710	700	900	24052	63.50
	400	140	4	1320	2710	700	900	24052/W33	63.30
	400	140	4	1320	2710	700	900	24052K30	62.50
	400	140	4	1320	2710	700	900	24052K30/W33	63.30
	400	140	4	1320	2710	700	900	24052K	62.50
	400	140	4	1320	2710	700	900	24052K/W33	62.30
	440	180	4	2310	5000	430	530	24152	115.00
	440	180	4	2310	5000	430	530	24152/W33	115.00
	440	180	4	2310	5000	430	530	24152K30	113.00
280	400	130	4	1300	3350	380	410	4G53856K	55.50
	500	130	5	2100	3650	800	1000	22256	111.00
	500	130	5	2100	3650	800	1000	22256/W33	112.00
	500	130	5	2100	3650	800	1000	22256K	108.00
	500	130	5	2100	3650	800	1000	22256K/W33	107.00
	580	175	6	2610	4800	600	750	22356	229.00
	580	175	6	2610	4800	600	750	22356/W33	227.00
	580	175	6	2610	4800	600	750	22356K	225.00
	580	175	6	2610	4800	600	750	22356K/W33	223.00
	420	106	4	1050	2340	850	1100	23056	52.40
	420	106	4	1050	2340	850	1100	23056/W33	51.80
	420	106	4	1050	2340	850	1100	23056K	50.70
	420	106	4	1050	2340	850	1100	23056K/W33	50.20
	460	146	5	2070	4400	750	850	23156	105.00
	460	146	5	2070	4400	750	850	23156/W33	104.00
	460	146	5	2070	4400	750	850	23156K	103.00
	460	146	5	2070	4400	750	850	23156K/W33	103.00
	500	176	5	2470	4550	600	670	23256	153.00
	500	176	5	2470	4550	600	670	23256/W33	152.00
	500	176	5	2470	4550	600	670	23256K	152.00
500	176	5	2470	4550	600	670	23256K/W33	150.00	
380	75	2.1	970	2120	1000	1400	23956	25.10	
380	75	2.1	970	2120	1000	1400	23956/W33	24.70	
380	75	2.1	970	2120	1000	1400	23956K	24.60	
380	75	2.1	970	2120	1000	1400	23956K/W33	24.30	

调心滚子轴承 Spherical Roller Bearings

外形尺寸(毫米) Boundary dimensions (mm)				基本额定负荷 (千牛) Basic load ratings (kN)		极限转速(转/分) Speed rating (rpm)		型号 Designations	重量 (千克) Weight (kg)	
d	D	B	r _{min}	Cr	Cor	脂润滑 Grease	油润滑 Oil			
280	420	140	4	1240	2950	670	850	24056	66.50	
	420	140	4	1240	2950	670	850	24056/W33	66.20	
	420	140	4	1240	2950	670	850	24056K30	65.30	
	420	140	4	1240	2950	670	850	24056K30/W33	65.10	
	460	180	5	2530	5000	400	480	24156K30Q1	119.00	
	460	180	5	2530	5000	400	480	24156K30Q1/W33	118.00	
	460	180	5	2530	5000	400	480	24156Q1	121.00	
	460	180	5	2530	5000	400	480	24156Q1/W33	120.00	
	300	540	140	5	2450	4600	750	950	22260	137.00
		540	140	5	2450	4600	750	950	22260/W33	136.00
540		140	5	2450	4600	750	950	22260K	134.00	
540		140	5	2450	4600	750	950	22260K/W33	133.00	
620		185	7.5	3400	5900	530	630	22360	274.00	
620		185	7.5	3400	5900	530	630	22360/W33	273.00	
620		185	7.5	3400	5900	530	630	22360K	269.00	
620		185	7.5	3400	5900	530	630	22360K/W33	267.00	
460		118	4	1260	2920	800	1000	23060	69.80	
460		118	4	1260	2920	800	1000	23060/W33	69.80	
460		118	4	1260	2920	800	1000	23060K	69.30	
460		118	4	1260	2920	800	1000	23060K/W33	67.70	
500		160	5	2400	5050	670	850	23160	132.00	
500		160	5	2400	5050	670	850	23160/W33	132.00	
500		160	5	2400	5050	670	850	23160K	128.00	
500		160	5	2400	5050	670	850	23160K/W33	128.00	
540		192	5	3400	6250	530	670	23260	198.00	
540		192	5	3400	6250	530	670	23260/W33	197.00	
540		192	5	3400	6250	530	670	23260K	192.00	
540		192	5	3400	6250	530	670	23260K/W33	191.00	
540	218	5	2900	6250	530	670	3G53860	223.00		
420	90	3	1260	2690	950	1300	23960	40.20		
420	90	3	1260	2690	950	1300	23960/W33	39.60		
420	90	3	1260	2690	950	1300	23960K	39.10		
420	90	3	1260	2690	950	1300	23960K/W33	39.40		
460	160	4	1490	3600	600	750	24060	98.50		
460	160	4	1490	3600	600	750	24060/W33	98.10		
460	160	4	1490	3600	600	750	24060K30	96.90		

调心滚子轴承 Spherical Roller Bearings

外形尺寸(毫米) Boundary dimensions (mm)				基本额定负荷 (千牛) Basic load ratings (kN)		极限转速(转/分) Speed rating (rpm)		型号 Designations	重量 (千克) Weight (kg)
d	D	B	r _{min}	Cr	Cor	脂润滑 Grease	油润滑 Oil		
300	460	160	4	1490	3600	600	750	24060K30/W33	96.50
	500	200	5	1890	4450	360	420	24160	160.00
	500	200	5	1890	4450	360	420	24160/W33	156.00
	500	200	5	1890	4450	360	420	24160K30	157.00
	500	200	5	1890	4450	360	420	24160K30/W33	156.00
310	480	121	4	1770	4000	800	1000	23062	85.60
320	580	150	5	2860	5350	670	850	22264	177.00
	580	150	5	2860	5350	670	850	22264/W33	176.00
	580	150	5	2860	5350	670	850	22264K	173.00
	580	150	5	2860	5350	670	850	22264K/W33	172.00
	480	121	4	1390	3100	800	1000	23064	78.50
	480	121	4	1390	3100	800	1000	23064/W33	78.00
	480	121	4	1390	3100	800	1000	23064K	76.10
	480	121	4	1390	3100	800	1000	23064K/W33	75.60
	540	176	5	1950	4250	630	800	23164	166.00
	540	176	5	1950	4250	630	800	23164/W33	165.00
	540	176	5	1950	4250	630	800	23164K	165.00
	540	176	5	1950	4250	630	800	23164K/W33	164.00
	580	208	5	3620	5610	500	630	23264	260.00
	580	208	5	3620	5610	500	630	23264/W33	259.00
	580	208	5	3620	5610	500	630	23264K	258.00
	580	208	5	3620	5610	500	630	23264K/W33	257.00
	440	90	3	1250	2710	900	1200	23964	43.00
	440	90	3	1250	2710	900	1200	23964/W33	42.70
	440	90	3	1100	1800	900	1200	23964K	45.10
440	90	3	1250	2710	900	1200	23964K/W33	41.20	
480	160	4	2500	5400	560	700	24064	105.00	
480	160	4	2500	5400	560	700	24064/W33	105.00	
480	160	4	2500	5400	560	700	24064K30	103.00	
480	160	4	2500	5400	560	700	24064K30/W33	103.00	
540	218	5	3350	7300	340	400	24164	207.00	
540	218	5	3350	7300	340	400	24164/W33	207.00	
540	218	5	3350	7300	340	400	24164K30	204.00	
540	218	5	3350	7300	340	400	24164K30/W33	204.00	
340	520	133	5	1640	3800	700	900	23068	109.00
	520	133	5	1640	3800	700	900	23068/W33	108.00

调心滚子轴承 Spherical Roller Bearings

外形尺寸(毫米) Boundary dimensions (mm)				基本额定负荷 (千牛) Basic load ratings (kN)		极限转速(转/分) Speed rating (rpm)		型号 Designations	重量 (千克) Weight (kg)
d	D	B	r _{min}	Cr	Cor	脂润滑 Grease	油润滑 Oil		
340	520	133	5	1640	3800	700	900	23068K	106.00
	520	133	5	1640	3800	700	900	23068K/W33	105.00
	580	190	5	3250	6800	600	750	23168	220.00
	580	190	5	3250	6800	600	750	23168/W33	219.00
	580	190	5	3250	6800	600	750	23168K	214.00
	580	190	5	3250	6800	600	750	23168K/W33	212.00
	620	224	6	2750	5900	430	530	23268	318.00
	620	224	6	2750	5900	430	530	23268/W33	317.00
	620	224	6	2750	5900	430	530	23268K	309.00
	620	224	6	2750	5900	430	530	23268K/W33	308.00
	460	90	3	1270	2810	900	1200	23968	44.00
	460	90	3	1270	2810	900	1200	23968/W33	43.70
	460	90	3	1270	2810	900	1200	23968K	43.70
	460	90	3	1270	2810	900	1200	23968K/W33	43.50
	520	180	5	2930	6350	530	670	24068	143.00
520	180	5	2930	6350	530	670	24068/W33	143.00	
520	180	5	2930	6350	530	670	24068K	141.00	
520	180	5	2930	6350	530	670	24068K/W33	140.00	
580	243	5	4660	8650	320	400	24168/W33	270.00	
580	243	5	4660	8650	320	400	24168K30	268.00	
580	243	5	4660	8650	320	400	24168K30/W33	267.00	
360	750	224	7.5	5500	8900	450	500	22372	464.00
	750	224	7.5	5500	8900	450	500	22372/W33	462.00
	750	224	7.5	5500	8900	450	500	22372K	463.00
	750	224	7.5	5500	8900	450	500	22372K/W33	461.00
	540	134	5	1710	4000	670	850	23072	113.00
	540	134	5	1710	4000	670	850	23072/W33	112.00
	540	134	5	1710	4000	670	850	23072K	109.00
	540	134	5	1710	4000	670	850	23072K/W22	108.00
	600	192	5	3400	7300	560	700	23172	228.00
	600	192	5	3400	7300	560	700	23172/W33	227.00
	600	192	5	3400	7300	560	700	23172K	221.00
	600	192	5	3400	7300	560	700	23172K/W33	220.00
	650	232	6	4900	9200	400	500	23272	342.00
	650	232	6	4900	9200	400	500	23272/W33	341.00
	650	232	6	4900	9200	400	500	23272K	332.00

调心滚子轴承 Spherical Roller Bearings

外形尺寸(毫米) Boundary dimensions (mm)				基本额定负荷 (千牛) Basic load ratings (kN)		极限转速(转/分) Speed rating (rpm)		型号 Designations	重量 (千克) Weight (kg)
d	D	B	r _{min}	Cr	Cor	脂润滑 Grease	油润滑 Oil		
360	650	232	6	4900	9200	400	500	23272K/W33	330.00
	480	90	3	1330	2510	850	1100	23972	49.10
	480	90	3	1330	2510	850	1100	23972/W33	48.50
	480	90	3	1330	2510	850	1100	23972K	45.00
	480	90	3	1330	2510	850	1100	23972K/W33	44.60
	540	180	5	2020	5150	500	630	24072	149.00
	540	180	5	2020	5150	500	630	24072/W33	148.00
	540	180	5	2020	5150	500	630	24072K30	146.00
	540	180	5	2020	5150	500	630	24072K30/W33	146.00
	600	243	5	5600	9700	300	380	24172	278.00
	600	243	5	5600	9700	300	380	24172/W33	277.00
	600	243	5	5600	9700	300	380	24172K30	273.00
	600	243	5	5600	9700	300	380	24172K30/W33	273.00
	600	243	5	5600	9700	300	380	24172K30/W33Q1C3	272.00
	600	243	5	5600	9700	300	380	24172Q1	277.00
	380	780	230	7.5	5300	9600	430	450	22376
780		230	7.5	5300	9600	430	450	22376/W33	553.00
780		230	7.5	5300	9600	430	450	22376K	545.00
780		230	7.5	5300	9600	430	450	22376K/W33	543.00
560		135	5	1750	4250	630	800	23076	120.00
560		135	5	1750	4250	630	800	23076/W33	118.00
560		135	5	1750	4250	630	800	23076K	116.00
560		135	5	1750	4250	630	800	23076K/W33	115.00
620		194	5	2470	5650	400	500	23176	251.00
620		194	5	2470	5650	400	500	23176/W33	249.00
620		194	5	2470	5650	400	500	23176K	243.00
620		194	5	2470	5650	400	500	23176K/W33	242.00
680		240	6	5060	9150	380	480	23276	375.00
680		240	6	5060	9150	380	480	23276/W33	373.00
680		240	6	5060	9150	380	480	23276K	371.00
680		240	6	5060	9150	380	480	23276K/W33	369.00
520		106	4	1410	2670	800	1000	23976	73.50
520		106	4	1410	2670	800	1000	23976/W33	72.40
520		106	4	1410	2670	800	1000	23976K	69.50
520		106	4	1410	2670	800	1000	23976K/W33	68.50
560	180	5	3050	6850	480	600	24076	158.00	

调心滚子轴承 Spherical Roller Bearings

外形尺寸(毫米) Boundary dimensions (mm)				基本额定负荷 (千牛) Basic load ratings (kN)		极限转速(转/分) Speed rating (rpm)		型号 Designations	重量 (千克) Weight (kg)
d	D	B	r _{min}	Cr	Cor	脂润滑 Grease	油润滑 Oil		
380	560	180	5	3050	6850	480	600	24076/W33	158.00
	560	180	5	3050	6850	480	600	24076K30	156.00
	560	180	5	3050	6850	480	600	24076K30/W33	155.00
	620	243	5	3950	8900	190	260	24176	304.00
	620	243	5	3950	8900	190	260	24176/W33	302.00
	620	243	5	3950	8900	190	260	24176K30	301.00
	620	243	5	3950	8900	190	260	24176K30/W33	299.00
	400	590	142	5	2340	5500	450	530	53880
820	243	7.5	4350	9000	400	320	22380	665.00	
820	243	7.5	4350	9000	400	320	22380/W33	663.00	
820	243	7.5	4350	9000	400	320	22380K	643.00	
820	243	7.5	4350	9000	400	320	22380K/W33	641.00	
600	148	5	2120	5000	600	750	23080	152.00	
600	148	5	2120	5000	600	750	23080/W33	149.00	
600	148	5	2120	5000	600	750	23080K	147.00	
600	148	5	2120	5000	600	750	23080K/W33	144.00	
650	200	6	2690	6200	380	480	23180	265.00	
650	200	6	2690	6200	380	480	23180/W33	264.00	
650	200	6	2690	6200	380	480	23180K	256.00	
650	200	6	2690	6200	380	480	23180K/W33	256.00	
720	256	6	3600	7800	340	430	23280	469.00	
720	256	6	3600	7800	340	430	23280/W33	468.00	
720	256	6	3600	7800	340	430	23280K	456.00	
720	256	6	3600	7800	340	430	23280K/W33	454.00	
540	106	4	1740	4250	750	950	23980	73.70	
540	106	4	1740	4250	750	950	23980/W33	73.20	
540	106	4	1740	4250	750	950	23980K	71.30	
540	106	4	1740	4250	750	950	23980K/W33	70.80	
600	200	5	3650	8250	450	560	24080	203.00	
600	200	5	3650	8250	450	560	24080/W33	202.00	
600	200	5	3650	8250	450	560	24080K30	199.00	
600	200	5	3650	8250	450	560	24080K30/W33	199.00	
650	250	6	4750	9900	180	240	24180	335.00	
650	250	6	4750	9900	180	240	24180/W33	334.00	
650	250	6	4750	9900	180	240	24180K30	332.00	
650	250	6	4750	9900	180	240	24180K30/W33	331.00	

调心滚子轴承 Spherical Roller Bearings

外形尺寸(毫米) Boundary dimensions (mm)				基本额定负荷 (千牛) Basic load ratings (kN)		极限转速(转/分) Speed rating (rpm)		型号 Designations	重量 (千克) Weight (kg)
d	D	B	r _{min}	Cr	Cor	脂润滑 Grease	油润滑 Oil		
420	620	150	5	2980	6450	450	560	23084	160.00
	620	150	5	2980	6450	450	560	23084/W33	159.00
	620	150	5	2980	6450	450	560	23084K	155.00
	620	150	5	2980	6450	450	560	23084K/W33	154.00
	700	224	6	4400	9600	360	450	23184	353.00
	700	224	6	4400	9600	360	450	23184/W33	352.00
	700	224	6	4400	9600	360	450	23184K	343.00
	700	224	6	4400	9600	360	450	23184K/W33	342.00
	760	272	7.5	6450	11600	320	400	23284	554.00
	760	272	7.5	6450	11600	320	400	23284/W33	552.00
	760	272	7.5	6450	11600	320	400	23284K	538.00
	760	272	7.5	6450	11600	320	400	23284K/W33	537.00
	620	200	5	3750	8500	380	480	24084	241.00
	620	200	5	3750	8500	380	480	24084/W33	240.00
620	200	5	3750	8500	380	480	24084K30	238.00	
620	200	5	3750	8500	380	480	24084K30/W33	236.00	
620	200	5	3750	8500	380	480	24084K30/W33X	236.00	
700	280	6	5350	12400	170	240	24184	448.00	
700	280	6	5350	12400	170	240	24184/W33	334.00	
700	280	6	5350	12400	170	240	24184K30	448.00	
700	280	6	5350	12400	170	240	24184K30/W33	448.00	
440	650	157	6	2330	5500	390	530	23088	187.00
	650	157	6	2330	5500	390	530	23088/W33	185.00
	650	157	6	2330	5500	390	530	23088K	181.00
	650	157	6	2330	5500	390	530	23088K/W33	180.00
	720	226	6	4500	10000	360	450	23188	378.00
	720	226	6	4500	10000	360	450	23188/W33	377.00
	720	226	6	4500	10000	360	450	23188K	367.00
	720	226	6	4500	10000	360	450	23188K/W33	365.00
	790	280	7.5	6730	12500	320	400	23288	617.00
	790	280	7.5	6730	12500	320	400	23288/W33	617.00
	790	280	7.5	6730	12500	320	400	23288K	599.00
	790	280	7.5	6730	12500	320	400	23288K/W33	599.00
	720	280	6	5400	12600	170	220	24188	453.00
	720	280	6	5400	12600	170	220	24188/W33	452.00
720	280	6	5400	12600	170	220	24188K30	448.00	

调心滚子轴承 Spherical Roller Bearings

外形尺寸(毫米) Boundary dimensions (mm)				基本额定负荷 (千牛) Basic load ratings (kN)		极限转速(转/分) Speed rating (rpm)		型号 Designations	重量 (千克) Weight (kg)
d	D	B	r _{min}	Cr	Cor	脂润滑 Grease	油润滑 Oil		
440	720	280	6	5400	12600	170	220	24188K30/W33	448.00
460	680	163	6	3550	7650	380	500	23092	224.00
	680	163	6	3550	7650	380	500	23092/W33	210.00
	680	163	6	3550	7650	380	500	23092K	218.00
	680	163	6	3550	7650	380	500	23092K/W33	214.00
	760	240	7.5	3150	8450	320	400	23192	468.00
	760	240	7.5	3150	8450	320	400	23192/W33	467.00
	760	240	7.5	3150	8450	320	400	23192K	440.00
	760	240	7.5	3150	8450	320	400	23192K/W33	438.00
	830	296	7.5	7360	13700	300	380	23292	695.00
	830	296	7.5	7360	13700	300	380	23292/W33	691.00
	830	296	7.5	7360	13700	300	380	23292K	688.00
	830	296	7.5	7360	13700	300	380	23292K/W33	684.00
	680	218	6	4250	9700	340	430	24092	280.00
	680	218	6	4250	9700	340	430	24092/W33	279.00
	680	218	6	4250	9700	340	430	24092K30	273.00
	680	218	6	4250	9700	340	430	24092K30/W33	274.00
	760	300	7.5	6800	14500	160	200	24192	561.00
	760	300	7.5	6800	14500	160	200	24192/W33	560.00
	760	300	7.5	6800	14500	160	200	24192K30	553.00
	760	300	7.5	6800	14500	160	200	24192K30/W33	551.00
	760	300	7.5	6800	14500	160	200	24192F1W33	567.00
	480	700	165	3650	8100	370	480	23096	220.00
	700	165	6	3650	8100	370	480	23096/W33	218.00
	700	165	6	3650	8100	370	480	23096K	213.00
	700	165	6	3650	8100	370	480	23096K/W33	212.00
	790	248	7.5	5600	12700	300	380	23196	504.00
	790	248	7.5	5600	12700	300	380	23196/W33	502.00
	790	248	7.5	5600	12700	300	380	23196K	503.00
	790	248	7.5	5600	12700	300	380	23196K/W33	487.00
	870	310	7.5	8300	16300	260	340	23296	840.00
	870	310	7.5	8300	16300	260	340	23296/W33	838.00
	870	310	7.5	8300	16300	260	340	23296K	837.00
	870	310	7.5	8300	16300	260	340	23296K/W33	835.00
	870	310	7.5	8300	16300	260	340	23296KM/W33	828.00
	650	128	5	2240	4730	400	500	23996	162.00

ESG Bearing

汕头市高新区伊斯吉轴承制造有限公司 SHANTOU HI-TECH ZONE ESG BEARING MANUFACTURE CO., LTD

工厂地址：中国广东汕头高新区科技西路6号
办公地址：中国广东汕头衡山路北段万丰楼九层
邮 编：515041
电 话：0086-754-88889698
传 真：0086-754-88863336
电 邮：esgcn@yahoo.com.cn
网 址：www.st-esg.com

Factory:6#,Keji west road, Hi-tech zone, Shantou, Guangdong, China
Office:9th Flr., Wanfeng Bldg., Hengshan road(N), Shantou, Guangdong, China.
Post code:515041
Tel: 0086-754-88789622
Fax: 0086-754-88863336
E-Mail:esgcn@yahoo.com.cn
Http://www.st-esg.com