

- Electronic version of the EBC catalogue was designed to make the search of necessary information easy and quick. First of all you can go to [Contents](#) where the bearings are grouped according to their type or [Search by type](#). To jump within the catalogue (e. g. from [Contents](#) to any section) you can simply click the corresponding item highlighted in blue.
- You can also use the Adobe Acrobat's navigation system.
- Searching for a concrete bearing click [Search by type](#) and pass to the table where the needed bearing is indicated together with other similar types. Such approach enables to find not only the bearing you are searching for but also its analogues that can be used as substitutes. Special codes in tables are described in section [Basic bearings data](#).



# CONTENTS

[The main bearings data](#)

[Ball bearings](#)

[Single-row radial ball bearings](#)

[Double-row self-aligning ball bearings](#)

[Angular-contact ball bearings](#)

[Cylindrical roller bearings](#)

[Double-row radial self-aligning roller bearings](#)

[Roller bearings with spiral round rollers or rings](#)

[Taper roller bearings](#)

[Single-row taper roller bearings](#)

[Double-row taper roller bearings](#)

[Four-row taper roller bearings](#)

[Thrust bearings](#)

[Special design bearings](#)

[Precision roller bearings](#)

[Free elements \(rolling elements\)](#)

[List of bearings](#)

[List of bearings based on foreign analogs](#)

[Contacts](#)

## Search by type

---

- |             |          |           |
|-------------|----------|-----------|
| ➤ OP90x35   | ➤ 236Л   | ➤ 1318Л   |
| ➤ TBU 120   | ➤ 238Л   | ➤ 1320    |
| ➤ TBU 130   | ➤ 305    | ➤ 1320Л   |
| ➤ TBU 150   | ➤ 306    | ➤ 1321Л   |
| ➤ БР 26x126 | ➤ 307    | ➤ 1616Л   |
| ➤ 132Л      | ➤ 308    | ➤ 2132М   |
| ➤ 134Л      | ➤ 310    | ➤ 2213КМ  |
| ➤ 136Л      | ➤ 312    | ➤ 2232М   |
| ➤ 140Л      | ➤ 313    | ➤ 2315КМШ |
| ➤ 144Л      | ➤ 313Л   | ➤ 2322М   |
| ➤ 148Л      | ➤ 320Л   | ➤ 2324М   |
| ➤ 152Л      | ➤ 321Л   | ➤ 2413М   |
| ➤ 172Л      | ➤ 324    | ➤ 2614КМУ |
| ➤ 196Л      | ➤ 330Л   | ➤ 2626М   |
| ➤ 203       | ➤ 407    | ➤ 2712КМ  |
| ➤ 204       | ➤ 409    | ➤ 3526    |
| ➤ 205       | ➤ 412    | ➤ 3528АН  |
| ➤ 206       | ➤ 840Л   | ➤ 3530АН  |
| ➤ 207       | ➤ 1/500Л | ➤ 3532АН  |
| ➤ 208       | ➤ 1/560Л | ➤ 3538АН  |
| ➤ 209       | ➤ 1219Л  | ➤ 3540АН  |
| ➤ 210       | ➤ 1220Л  | ➤ 3544    |
| ➤ 211       | ➤ 1221Л  | ➤ 3564    |
| ➤ 214       | ➤ 1222   | ➤ 3572    |
| ➤ 214Л      | ➤ 1222Л  | ➤ 3580    |
| ➤ 217       | ➤ 1316   | ➤ 3622    |
| ➤ 219       | ➤ 1316Л  | ➤ 3622К   |
| ➤ 232Л      | ➤ 1317Л  | ➤ 3624Н   |
| ➤ 234       | ➤ 1318   | ➤ 3630АН  |

## Search by type

---

- |          |          |          |
|----------|----------|----------|
| ➤ 3632   | ➤ 5744   | ➤ 7217A  |
| ➤ 3634AH | ➤ 5756   | ➤ 7218A  |
| ➤ 3636   | ➤ 7006A  | ➤ 7220A1 |
| ➤ 3640AH | ➤ 7007A  | ➤ 7221A  |
| ➤ 3648   | ➤ 7009A  | ➤ 7304A  |
| ➤ 3656   | ➤ 7106P  | ➤ 7305A  |
| ➤ 3680XH | ➤ 7107P  | ➤ 7306A  |
| ➤ 3744   | ➤ 7109P  | ➤ 7307A1 |
| ➤ 3768Γ  | ➤ 7202   | ➤ 7307A  |
| ➤ 3844   | ➤ 7203   | ➤ 7309A1 |
| ➤ 3850   | ➤ 7203A1 | ➤ 7310A1 |
| ➤ 3880   | ➤ 7204A  | ➤ 7311A  |
| ➤ 3934   | ➤ 7205A1 | ➤ 7312A  |
| ➤ 3948   | ➤ 7205A  | ➤ 7313AK |
| ➤ 3980   | ➤ 7206A  | ➤ 7314A  |
| ➤ 5210   | ➤ 7207A  | ➤ 7315A  |
| ➤ 5210K  | ➤ 7208A1 | ➤ 7319A  |
| ➤ 5212   | ➤ 7208A  | ➤ 7322A  |
| ➤ 5215   | ➤ 7209A1 | ➤ 7406A  |
| ➤ 5216   | ➤ 7210A1 | ➤ 7407A  |
| ➤ 5217   | ➤ 7210A  | ➤ 7409A  |
| ➤ 5218   | ➤ 7211A1 | ➤ 7410A  |
| ➤ 5220   | ➤ 7211A  | ➤ 7433M  |
| ➤ 5222   | ➤ 7212A  | ➤ 7506A  |
| ➤ 5224   | ➤ 7212X1 | ➤ 7507A1 |
| ➤ 5230   | ➤ 7214A  | ➤ 7508A  |
| ➤ 5232   | ➤ 7215A1 | ➤ 7509A  |
| ➤ 5236   | ➤ 7215A  | ➤ 7510A1 |
| ➤ 5740   | ➤ 7216A  | ➤ 7510A  |



## Search by type

---

- 7511A1
- 7511A
- 7512A1
- 7512A
- 7513A1
- 7515A1
- 7515A
- 7516A
- 7517A
- 7518A
- 7519
- 7519A1
- 7520A
- 7526A
- 7530A
- 7605A
- 7606A
- 7606A
- 7607A
- 7607A
- 7608A1
- 7608A
- 7609A
- 7610A1
- 7610A
- 7611AK
- 7611A
- 7612A
- 7613A1
- **7618 A**
- 7613A
- 7614A
- 7615A
- 7703A
- 7705A
- 7706
- 7707Y
- 7710A
- 7717
- 7737Л
- 7754M
- 7757A
- 7772Л2
- 7804Y
- 7805Y
- 7806A
- 7807Y
- 7808A
- 7809A
- 7810A
- 7814XM
- 7815A
- 7819A
- 7846Л
- 7866A
- 79/540
- 7906
- 7906A1
- 7907AK
- 7909K1
- 7915A
- 7919A
- 7921A
- 7923A
- 7927A
- 7939A
- 7948Л1
- 7952A
- 7961
- 7983
- 8124
- 8126Л
- 8128Л
- 8132Л
- 8134Л
- 8136Л
- 8136НГ
- 8140Л
- 8140НГ
- 8144НГ
- 8144НЛ
- 8148Л
- 8152Л
- 8152НГ
- 8156Л
- 8156НГ
- 8164Л
- 8168Г

## Search by type

---

- |          |            |           |
|----------|------------|-----------|
| ➤ 8172Л  | ➤ 8336НЛ   | ➤ 12746М  |
| ➤ 8180   | ➤ 8340Л    | ➤ 13620К  |
| ➤ 8220К  | ➤ 8368Г    | ➤ 13628К  |
| ➤ 8222   | ➤ 8413Л    | ➤ 13632К  |
| ➤ 8222Л  | ➤ 8420Л    | ➤ 15236   |
| ➤ 8224   | ➤ 8426Л    | ➤ 15725   |
| ➤ 8226   | ➤ 8717     | ➤ 15740   |
| ➤ 8228   | ➤ 8760К    | ➤ 15744   |
| ➤ 8228Л  | ➤ 8768     | ➤ 15832   |
| ➤ 8230НГ | ➤ 8791     | ➤ 15933   |
| ➤ 8230НЛ | ➤ 8948Л    | ➤ 17713Л  |
| ➤ 8236   | ➤ 9232     | ➤ 17715ЛК |
| ➤ 8236Л  | ➤ 9733     | ➤ 17716Д4 |
| ➤ 8240Л  | ➤ 11217ЛК  | ➤ 17716Л4 |
| ➤ 8244Л  | ➤ 11218ЛК  | ➤ 17717Л  |
| ➤ 8256Л  | ➤ 11220К   | ➤ 17719ЛК |
| ➤ 8260Г  | ➤ 11314К   | ➤ 17720Л  |
| ➤ 8268Л  | ➤ 11316К   | ➤ 17722Л1 |
| ➤ 8272Г  | ➤ 11318К   | ➤ 17724Л1 |
| ➤ 8292Г  | ➤ 11319ЛК  | ➤ 17744Л  |
| ➤ 8296Л  | ➤ 11320ЛК  | ➤ 17810Л  |
| ➤ 8320НГ | ➤ 12213КМ  | ➤ 17814Л  |
| ➤ 8320НЛ | ➤ 12309КМ  | ➤ 17818Л  |
| ➤ 8322   | ➤ 12315КМ  | ➤ 17819Л  |
| ➤ 8322Л  | ➤ 12320М   | ➤ 17824Л  |
| ➤ 8324   | ➤ 12507КМУ | ➤ 17828Л  |
| ➤ 8326Л  | ➤ 12526М   | ➤ 17836Л  |
| ➤ 8330Л  | ➤ 12728М   | ➤ 17838Л  |
| ➤ 8336НГ | ➤ 12736М   | ➤ 17917Л1 |

## Search by type

---

- |             |            |            |
|-------------|------------|------------|
| ➤ 17920JI   | ➤ 27709K1Y | ➤ 32315KM  |
| ➤ 17934     | ➤ 27711A1  | ➤ 32315M   |
| ➤ 18220K    | ➤ 27714A1  | ➤ 32318KM  |
| ➤ 18222     | ➤ 27715A   | ➤ 32320K1M |
| ➤ 18224     | ➤ 27719A   | ➤ 32322M   |
| ➤ 18226     | ➤ 27907A   | ➤ 32324M   |
| ➤ 18228     | ➤ 27908A   | ➤ 32326M   |
| ➤ 18320JI   | ➤ 27911A   | ➤ 32328M   |
| ➤ 18322K    | ➤ 29908K1  | ➤ 32330M   |
| ➤ 18324     | ➤ 29910C17 | ➤ 32332K2M |
| ➤ 18413JI   | ➤ 29910K1  | ➤ 32332M   |
| ➤ 18426JI   | ➤ 32134M1  | ➤ 32334M   |
| ➤ 18786     | ➤ 32136JIM | ➤ 32336M   |
| ➤ 18886     | ➤ 32138K3M | ➤ 32340M   |
| ➤ 19951XГK1 | ➤ 32140J4  | ➤ 32410M   |
| ➤ 20703A2   | ➤ 32144M   | ➤ 32417M   |
| ➤ 20803AK2  | ➤ 32152JIM | ➤ 32418M   |
| ➤ 20803AK2Y | ➤ 32152M   | ➤ 32419M   |
| ➤ 22320M    | ➤ 32160Г2M | ➤ 32421M   |
| ➤ 27309A    | ➤ 32160JIM | ➤ 32422M   |
| ➤ 27310HA   | ➤ 32226M   | ➤ 32424M   |
| ➤ 27313A1   | ➤ 32228M   | ➤ 32426M   |
| ➤ 27317     | ➤ 32232JIM | ➤ 32428M   |
| ➤ 27606A    | ➤ 32234M   | ➤ 32524M   |
| ➤ 27607A    | ➤ 32238JIM | ➤ 32528M   |
| ➤ 27705A    | ➤ 32240M   | ➤ 32540    |
| ➤ 27706A    | ➤ 32244M   | ➤ 32544M   |
| ➤ 27706K1   | ➤ 32248    | ➤ 32605KM  |
| ➤ 27709K1   | ➤ 32309KM  | ➤ 32613EM  |

## Search by type

---

- |                 |                |             |
|-----------------|----------------|-------------|
| ➤ 32613M        | ➤ 42234JM      | ➤ 42626M    |
| ➤ 32615AM       | ➤ 42236M       | ➤ 42726E2M  |
| ➤ 32615KM       | ➤ 42240M       | ➤ 42726J14M |
| ➤ 32616M        | ➤ 42244M       | ➤ 42728JM   |
| ➤ 32618M        | ➤ 42305AE1YIII | ➤ 42822E2M  |
| ➤ 32620M        | ➤ 42315KM      | ➤ 42822J11M |
| ➤ 32624AM       | ➤ 42318KM      | ➤ 42822J14M |
| ➤ 32634M        | ➤ 42320M       | ➤ 42836JM   |
| ➤ 36103K7       | ➤ 42322JM      | ➤ 42836JMY  |
| ➤ 36205K6       | ➤ 42324M       | ➤ 42927M    |
| ➤ 36206E1       | ➤ 42326M       | ➤ 46234J    |
| ➤ 36206E4       | ➤ 42328J11M    | ➤ 46313J    |
| ➤ 36208E2       | ➤ 42330J11M    | ➤ 46320J    |
| ➤ 36210E        | ➤ 42336GM      | ➤ 46322J    |
| ➤ 36212E        | ➤ 42413M       | ➤ 46324J    |
| ➤ 36213E        | ➤ 42417M       | ➤ 46330J    |
| ➤ 36215E        | ➤ 42420M       | ➤ 46416J    |
| ➤ 36234J        | ➤ 42422M       | ➤ 46418J    |
| ➤ 37/680Г       | ➤ 42426M       | ➤ 46792J    |
| ➤ 38224         | ➤ 42428M       | ➤ 48324     |
| ➤ 38236         | ➤ 42512        | ➤ 50203     |
| ➤ 38324         | ➤ 42512Y2      | ➤ 50208     |
| ➤ 42124         | ➤ 42524M       | ➤ 50209     |
| ➤ 42144JM       | ➤ 42526M       | ➤ 50210     |
| ➤ 42152M        | ➤ 42536JM      | ➤ 50305     |
| ➤ 42204EIII     | ➤ 42613M       | ➤ 50307     |
| ➤ 42205A1E1YIII | ➤ 42615K1M     | ➤ 50308     |
| ➤ 42232M        | ➤ 42618JM      | ➤ 50310     |
| ➤ 42232M1       | ➤ 42620M       | ➤ 50409     |

## Search by type

---

- |             |            |            |
|-------------|------------|------------|
| ➤ 52320M    | ➤ 62330M   | ➤ 67405A1P |
| ➤ 52328M    | ➤ 62413M   | ➤ 67510A   |
| ➤ 52332M    | ➤ 62414M   | ➤ 67512A1  |
| ➤ 52536JIM  | ➤ 62415M   | ➤ 67513    |
| ➤ 52618JIM  | ➤ 62417K1M | ➤ 67516AK  |
| ➤ 52626M    | ➤ 62421M   | ➤ 67609A1  |
| ➤ 52726JIM2 | ➤ 62422M   | ➤ 67709    |
| ➤ 52927ГM   | ➤ 62536JIM | ➤ 67712Л   |
| ➤ 56705Y    | ➤ 62612    | ➤ 67714    |
| ➤ 57707AY   | ➤ 62612K   | ➤ 67719ЛK  |
| ➤ 59891     | ➤ 66140Л1  | ➤ 67732Л   |
| ➤ 60203     | ➤ 66144KЛ2 | ➤ 67738Л   |
| ➤ 60204     | ➤ 66144KЛ3 | ➤ 67744Л   |
| ➤ 60205     | ➤ 66148KЛ1 | ➤ 67809ЛK  |
| ➤ 60206K1   | ➤ 66152KЛ1 | ➤ 67810ЛK  |
| ➤ 60207     | ➤ 66256Л2  | ➤ 67814Л   |
| ➤ 60208     | ➤ 66322E   | ➤ 67818Л   |
| ➤ 60209     | ➤ 66322Л   | ➤ 67848Л   |
| ➤ 60210     | ➤ 66326Л1  | ➤ 67852Л1  |
| ➤ 60214     | ➤ 66330Л   | ➤ 67910A   |
| ➤ 60305     | ➤ 66410E   | ➤ 67912Л   |
| ➤ 60307     | ➤ 66412E   | ➤ 67920Л   |
| ➤ 60308     | ➤ 66412Л   | ➤ 67928Л1  |
| ➤ 60312     | ➤ 66414Л   | ➤ 73620    |
| ➤ 62160JIM  | ➤ 66418Л   | ➤ 73623    |
| ➤ 62236M1   | ➤ 66432Л   | ➤ 73630    |
| ➤ 62240M    | ➤ 67204A   | ➤ 73634    |
| ➤ 62315KM   | ➤ 67207    | ➤ 73638    |
| ➤ 62320M    | ➤ 67404AP  | ➤ 73644    |

## Search by type

---

- |             |               |            |
|-------------|---------------|------------|
| ➤ 73930     | ➤ 92230K1M    | ➤ 97810JI  |
| ➤ 77741M    | ➤ 92230M      | ➤ 97815JI  |
| ➤ 77752M    | ➤ 92240K1M    | ➤ 97818JI  |
| ➤ 77754M    | ➤ 92315KM     | ➤ 97822Y   |
| ➤ 77877M    | ➤ 92320K1M    | ➤ 97846JI  |
| ➤ 77887M    | ➤ 92328JM     | ➤ 97848JIY |
| ➤ 77890     | ➤ 92417EM     | ➤ 97913A   |
| ➤ 77890KM   | ➤ 92417K2M    | ➤ 97919JI  |
| ➤ 80203     | ➤ 92426M      | ➤ 97920JI  |
| ➤ 80204     | ➤ 92514M      | ➤ 97921P   |
| ➤ 80205     | ➤ 92615KM     | ➤ 97936JI  |
| ➤ 80206     | ➤ 92705AEYIII | ➤ 97938P   |
| ➤ 80207     | ➤ 92705K      | ➤ 97944JI  |
| ➤ 80208     | ➤ 93722       | ➤ 97945K   |
| ➤ 80209     | ➤ 97212A      | ➤ 97946K   |
| ➤ 80210     | ➤ 97218A      | ➤ 97951    |
| ➤ 80214     | ➤ 97506A      | ➤ 97960    |
| ➤ 80305     | ➤ 97509A      | ➤ 97963    |
| ➤ 80307     | ➤ 97510A1     | ➤ 97966M   |
| ➤ 80308     | ➤ 97512A1     | ➤ 97969JI  |
| ➤ 80312     | ➤ 97515A1     | ➤ 97974    |
| ➤ 81/500Г   | ➤ 97516A      | ➤ 97981    |
| ➤ 81/670Г   | ➤ 97518A      | ➤ 97983    |
| ➤ 82/630    | ➤ 97520A      | ➤ 97996    |
| ➤ 82/630JI  | ➤ 97521A      | ➤ 102407M  |
| ➤ 92140JI3M | ➤ 97526A      | ➤ 102416M  |
| ➤ 92152JM   | ➤ 97606AY     | ➤ 102605M  |
| ➤ 92152M    | ➤ 97718JI     | ➤ 102712KM |
| ➤ 92228M1   | ➤ 97724JI1    | ➤ 109738K  |

## Search by type

---

- |            |              |             |
|------------|--------------|-------------|
| ➤ 111219J  | ➤ 137205A1   | ➤ 180305    |
| ➤ 111220J  | ➤ 137205A    | ➤ 180306    |
| ➤ 111222   | ➤ 146172Г    | ➤ 180308    |
| ➤ 111222J  | ➤ 147303A    | ➤ 180312    |
| ➤ 111316J  | ➤ 150308     | ➤ 180506E   |
| ➤ 111318J  | ➤ 150409     | ➤ 180508E   |
| ➤ 111320   | ➤ 152536JIMY | ➤ 189/580   |
| ➤ 111321J  | ➤ 154912K    | ➤ 232726E2M |
| ➤ 111322J  | ➤ 160203     | ➤ 232726J4M |
| ➤ 113526   | ➤ 160204     | ➤ 232728J1M |
| ➤ 113544   | ➤ 160205     | ➤ 232822EM  |
| ➤ 113622   | ➤ 160206     | ➤ 232822J2M |
| ➤ 113632   | ➤ 160207     | ➤ 232956JIM |
| ➤ 113636   | ➤ 160208     | ➤ 256500    |
| ➤ 113640AH | ➤ 160305     | ➤ 256500K   |
| ➤ 113648   | ➤ 160306     | ➤ 266134J2  |
| ➤ 113656   | ➤ 160308     | ➤ 266134J2Y |
| ➤ 113728   | ➤ 160312     | ➤ 266140J2  |
| ➤ 113732   | ➤ 160506E    | ➤ 266144KJ3 |
| ➤ 117714   | ➤ 160508E    | ➤ 266144KJ2 |
| ➤ 117732K  | ➤ 170308E    | ➤ 266148KJ1 |
| ➤ 117944   | ➤ 170310E    | ➤ 266152KJ1 |
| ➤ 126207P  | ➤ 170313E    | ➤ 272313M   |
| ➤ 126209Ю  | ➤ 180203     | ➤ 292152M   |
| ➤ 126210P1 | ➤ 180204     | ➤ 292205E   |
| ➤ 126211P1 | ➤ 180205     | ➤ 292208    |
| ➤ 126305P  | ➤ 180206     | ➤ 292210    |
| ➤ 127509AK | ➤ 180207     | ➤ 292213KM  |
| ➤ 127919A  | ➤ 180208     | ➤ 292306K1  |

## Search by type

---

- |             |              |               |
|-------------|--------------|---------------|
| ➤ 292417JIM | ➤ 436206E1*  | ➤ 537708C17   |
| ➤ 3056207Б  | ➤ 436206E4*  | ➤ 537807C17   |
| ➤ 3056207K  | ➤ 436208E2*  | ➤ 537808C17   |
| ➤ 3056207Л  | ➤ 436210E    | ➤ 537810AC17  |
| ➤ 3056209Л  | ➤ 436212E    | ➤ 537905C17   |
| ➤ 3056211Л  | ➤ 436213E    | ➤ 537906C17   |
| ➤ 3056214Л  | ➤ 436215E    | ➤ 537907C17   |
| ➤ 3056215Л  | ➤ 442924Y2   | ➤ 537908C17   |
| ➤ 3056216   | ➤ 446330Л    | ➤ 537909K1C17 |
| ➤ 3056305   | ➤ 462736MY2  | ➤ 537909K2C17 |
| ➤ 307752Л2  | ➤ 462748Y2   | ➤ 537909KC17  |
| ➤ 3086313   | ➤ 462815Y4   | ➤ 537910C17   |
| ➤ 346234Л   | ➤ 462815XY   | ➤ 576322Л*    |
| ➤ 346313Л   | ➤ 462815XY6  | ➤ 582753Л     |
| ➤ 346320Л   | ➤ 46281Y     | ➤ 592708M1    |
| ➤ 346330Л   | ➤ 462820     | ➤ 597820ЛKY   |
| ➤ 347920M   | ➤ 462820Y4   | ➤ 597824MY    |
| ➤ 347944M   | ➤ 462826Y    | ➤ 597826XKM1Y |
| ➤ 366256Л2* | ➤ 462826Y6   | ➤ 597830XMY   |
| ➤ 366322Л1* | ➤ 466140Л2*  | ➤ 597832Л     |
| ➤ 366326Л1* | ➤ 466322Л1   | ➤ 597840Л     |
| ➤ 366412E   | ➤ 466322Л1Y3 | ➤ 597852Л     |
| ➤ 37/1320X  | ➤ 466330Л    | ➤ 597856Л     |
| ➤ 372710X   | ➤ 466412E    | ➤ 612515      |
| ➤ 372710XY4 | ➤ 466432Л1   | ➤ 612515Y2    |
| ➤ 402324M   | ➤ 466432Л2Y3 | ➤ 612517      |
| ➤ 402411KMY | ➤ 502309M    | ➤ 612517Y2    |
| ➤ 402611KMY | ➤ 537/750X   | ➤ 672140Л     |
| ➤ 436205K6  | ➤ 537707C17  | ➤ 672140Л1    |



## Search by type

---

- |             |                  |                  |
|-------------|------------------|------------------|
| ➤ 672230M   | ➤ 772734M1       | ➤ ПБК            |
| ➤ 672322M   | ➤ 782756M        | ➤ 40/71-864909T4 |
| ➤ 692213KM  | ➤ 807713         | ➤ 1000830Л       |
| ➤ 692315KM  | ➤ 807813A        | ➤ 1000834Л       |
| ➤ 692315KM1 | ➤ 808320Л        | ➤ 1000840Л       |
| ➤ 697510АШ2 | ➤ 812810         | ➤ 1000892        |
| ➤ 697711ЛКУ | ➤ 827914АУ       | ➤ 1000892Л       |
| ➤ 697712Л   | ➤ 847713         | ➤ 1000896Л       |
| ➤ 697716Л   | ➤ 847719         | ➤ 1000926Л       |
| ➤ 697724Л1  | ➤ 847967ЛМУ      | ➤ 1000928Л       |
| ➤ 697732Л   | ➤ 862710         | ➤ 1000930Л       |
| ➤ 697737Л   | ➤ 862715ЛТ2      | ➤ 1000932Л       |
| ➤ 697810ЛК  | ➤ 862722ХЛТ      | ➤ 1000944Л       |
| ➤ 697814Л   | ➤ 864708ДМ       | ➤ 1000948Л       |
| ➤ 697815Л   | ➤ 877907         | ➤ 1000952Л       |
| ➤ 697817Л   | ➤ 889814         | ➤ 1007409        |
| ➤ 697824Л   | ➤ 889818         | ➤ 1007706А       |
| ➤ 697828Л   | ➤ 897713АК       | ➤ 1007748Л       |
| ➤ 697838Л   | ➤ 899944         | ➤ 1007806А       |
| ➤ 697848ЛУ  | ➤ 927952Л        | ➤ 1007936Л       |
| ➤ 697920Л1У | ➤ 954712К1       | ➤ 1027305А       |
| ➤ 697924У   | ➤ 954712К4       | ➤ 1027314А       |
| ➤ 697928Л1  | ➤ 977906К1       | ➤ 1027318А       |
| ➤ 709723    | ➤ 977907К1       | ➤ 1027318АУ2/Х   |
| ➤ 709823    | ➤ 977908К        | ➤ 1032752М       |
| ➤ 712506У2  | ➤ 977909К1       | ➤ 1032868М       |
| ➤ 712507У2  | ➤ 982826К        | ➤ 1032948М       |
| ➤ 712509У3  | ➤ ПБК            | ➤ 1032952М       |
| ➤ 772734М   | ➤ 40/71-864809Т4 | ➤ 1032956М       |

## Search by type

---

- 1032964JM
- 1036884JI
- 10468/1060
- 10468/1250
- 10468/600
- 10468/600JI
- 10468/670Г
- 10469/530JI
- 10668/500JI
- 10669/630JI
- 1092964JM
- 1137/680Г
- 1160304AK
- 1180304AK
- 1292948M
- 1612844
- 1612852M
- 1612876
- 2002872M
- 20070/38A
- 20071/28A
- 20071/38A
- 2007104A
- 2007105A
- 2007105A
- 2007106A
- 2007107A
- 2007108A
- 2007109
- 2007109A
- 2007111
- 2007112A
- 2007113A
- 2007114A
- 2007115
- 2007116A1
- 2007116A
- 2007117A1
- 2007118A
- 2007120A
- 2007122A
- 2007124A
- 2007128
- 2007128A
- 2007130A
- 2007132
- 2007136
- 2007138
- 2007138K
- 2007140
- 2007148
- 2007148KM
- 2007405A1
- 2007406A1
- 2007407A1
- 2007407A1K
- 2007409
- 2007442JI
- 2007707A1
- 2007807A
- 2007807AK
- 2007808A
- 2007809
- 2007850
- 2007913A
- 2007916A
- 2007934
- 2007934K1
- 2007938
- 2007938A
- 2007944A
- 2007948
- 2007948A
- 2007952A
- 2032132A
- 2032148M
- 2046976JI
- 2067708A
- 2067712A
- 2077140AM
- 2097128M
- 2097140
- 2097144AM
- 2097948JI1
- 2097952A
- 2097952JI
- 2232872M

## Search by type

---

- |               |                |             |
|---------------|----------------|-------------|
| ➤ 2232872MK   | ➤ 3003780      | ➤ 3113776   |
| ➤ 2612934     | ➤ 3003792H     | ➤ 3113780   |
| ➤ 2612956     | ➤ 3005218      | ➤ 3113792H  |
| ➤ 2697709     | ➤ 3005220      | ➤ 3182106   |
| ➤ 3003136AH   | ➤ 3007015A1    | ➤ 3182107   |
| ➤ 3003140AH   | ➤ 3007105A     | ➤ 3182108K  |
| ➤ 3003144H    | ➤ 3007113A     | ➤ 3182109K  |
| ➤ 3003148     | ➤ 3007118A     | ➤ 3182110K  |
| ➤ 3003152AH   | ➤ 3007118AY2/X | ➤ 3182111K  |
| ➤ 3003156A    | ➤ 3007205A     | ➤ 3182112   |
| ➤ 3003160A    | ➤ 3007210A     | ➤ 3182112KE |
| ➤ 3003164     | ➤ 3007212A     | ➤ 3182113K  |
| ➤ 3003168     | ➤ 3007213A     | ➤ 3182114   |
| ➤ 3003172     | ➤ 3007306      | ➤ 3182114KE |
| ➤ 3003180     | ➤ 3007722A     | ➤ 3182115   |
| ➤ 3003188     | ➤ 3007924A     | ➤ 3182115K  |
| ➤ 3003192     | ➤ 3013144      | ➤ 3182116   |
| ➤ 3003196     | ➤ 3013272H     | ➤ 3182116KE |
| ➤ 3003234     | ➤ 3013740      | ➤ 3182117K  |
| ➤ 3003264     | ➤ 3013744      | ➤ 3182118   |
| ➤ 3003296X    | ➤ 3015220      | ➤ 3182118KE |
| ➤ 3003332A1HK | ➤ 3073776K     | ➤ 3182119KE |
| ➤ 3003732     | ➤ 3113140AH    | ➤ 3182120   |
| ➤ 3003744     | ➤ 3113144H     | ➤ 3182120KE |
| ➤ 3003748K    | ➤ 3113148H     | ➤ 3182121K  |
| ➤ 3003756AH   | ➤ 3113152AH    | ➤ 3182122   |
| ➤ 3003760AH   | ➤ 3113156AH    | ➤ 3182122K  |
| ➤ 3003764AH   | ➤ 3113188      | ➤ 3182124   |
| ➤ 3003776     | ➤ 3113192      | ➤ 3182124K  |

## Search by type

---

- |             |               |              |
|-------------|---------------|--------------|
| ➤ 3182126   | ➤ 3282120     | ➤ 7000144JI  |
| ➤ 3182126K  | ➤ 3282128K    | ➤ 7000834JI  |
| ➤ 3182128K  | ➤ 3282130K    | ➤ 7000976JI  |
| ➤ 3182130K  | ➤ 3282134K    | ➤ 7002140M   |
| ➤ 3182132   | ➤ 3282140K    | ➤ 7002140M   |
| ➤ 3182132K1 | ➤ 3282156     | ➤ 7002148M   |
| ➤ 3182134K1 | ➤ 3612114     | ➤ 7036864JI  |
| ➤ 3182136K1 | ➤ 3612122     | ➤ 9008188JI  |
| ➤ 3182140   | ➤ 3712111Y3   | ➤ 90091/600  |
| ➤ 3182140K  | ➤ 3712122Y3   | ➤ 90091/950  |
| ➤ 3182144   | ➤ 4113168     | ➤ 9009422    |
| ➤ 3182148K  | ➤ 4162856K    | ➤ 9009440    |
| ➤ 3182152K  | ➤ 4162920K    | ➤ 9019424    |
| ➤ 3182156   | ➤ 4162926     | ➤ 9019436K   |
| ➤ 3182164   | ➤ 4162938     | ➤ 9019452K   |
| ➤ 32213KM   | ➤ 4162938K    | ➤ 9039280    |
| ➤ 3222207   | ➤ 4262856K    | ➤ 9039320    |
| ➤ 3222210   | ➤ 42629/500Y  | ➤ 9039322    |
| ➤ 3222211   | ➤ 4614906     | ➤ 9039348K   |
| ➤ 3222212   | ➤ 4614909     | ➤ 9039352    |
| ➤ 3222213   | ➤ 4627/630XY2 | ➤ 9039364X   |
| ➤ 3222312   | ➤ 4722932     | ➤ 9039388    |
| ➤ 3222313   | ➤ 4722944     | ➤ 90394/500X |
| ➤ 3222316   | ➤ 4722948     | ➤ 90394/710X |
| ➤ 3222319   | ➤ 4722952M    | ➤ 9039428    |
| ➤ 3222320   | ➤ 538/1320X   | ➤ 9039452X   |
| ➤ 3222322   | ➤ 6462138KY   | ➤ 9039472X   |
| ➤ 3222324   | ➤ 6622947     | ➤ 9039488X   |
| ➤ 3222328   | ➤ 6624947     | ➤ 9809352    |

## Search by type

---

- 10089/1180K
- 10089/600
- 2538/1060K1X
- 30031/530
- 30031/560H
- 30031/600HX
- 30032/850X
- 30037/500X
- 30037/600Г
- 30539/750HX
- 30731/570HX
- 31131/600HX
- 31132/530
- 40031/850
- 40038/750H
- 40537/670HX
- 40537/710XH
- 41537/710XH
- 90083/670
- 20031/1180X



# ПЕРЕЧЕНЬ ПОДШИПНИКОВ ПО ИНОФИРМЕННЫМ АНАЛОГАМ LIST OF BEARINGS BASED ON FOREIGN ANALOGUES

Условное обозначение Bearing designation			Условное обозначение Bearing designation		
Международное International	EПК EBC	Страница Page	Международное International	EПК EBC	Страница Page
50F2		5210 138 – 139	NJ320M	42320M	94 – 95
60F2		5212 138 – 139	NJ320M+HJ320	62320M	98 – 99
75F2		5215 138 – 139	NJ322MA	42322LM	94 – 95
80F2		5216 138 – 139	NJ324M	42324M	96 – 97
85F2		5217 138 – 139	NJ326M	42326M	96 – 97
90F2		5218 138 – 139	NJ328MA	42328LM	96 – 97
NUKR90	SKF	OP90x35 228 – 229	NJ330M	42330LM	96 – 97
100F1		3005220 138 – 139	NJ330M+HJ330	62330M	98 – 99
100F2		5220 138 – 139	NJ336M	42336LM	96 – 97
110F2		5222 138 – 139	NJ413M	42413M	94 – 95
120F2		5224 138 – 139	NJ413M+HJ413	62413M	98 – 99
125P1		15725 138 – 139	NJ414M+HJ414	62414M	98 – 99
150F2		5230 138 – 139	NJ415M+HJ415	62415M	98 – 99
160F2		5232 138 – 139	NJ417M	42417M	94 – 95
160P		15832 138 – 139	NJ417M+HJ417	62417K1M	98 – 99
163N1		15933 138 – 139	NJ420M	42420M	94 – 95
176TQ09680BA1254 TORRINGTON	77890KM	178 – 179	NJ421M+HJ421	62421M	98 – 99
180F		5236 138 – 139	NJ422M	42422M	94 – 95
180P		15236 138 – 139	NJ422M+HJ422	62422M	98 – 99
200F2		5740 138 – 139	NJ426M	42426M	96 – 97
200P		15740 138 – 139	NJ428M	42428M	96 – 97
220F1		5744 138 – 139	NP320M	22320M	88 – 89
220P		15744 138 – 139	NU226M	32226M	92 – 93
280F		5756 138 – 139	NU228M	32228M	92 – 93
N213	SKF	2213KM 84 – 85	NU232	32232LM	92 – 93
N232M		2232M 84 – 85	NU234M	32234M	92 – 93
N315	SKF	2315KMШ 84 – 85	NU238MA	32238LM	92 – 93
N322E.M1	FAG	2322M 84 – 85	NU240M	32240M	92 – 93
N324M		2324M 84 – 85	NU244M	32244M	92 – 93
N413M		2413M 84 – 85	NU248M	32248M	92 – 93
N416V		102416M 84 – 85	NU309	SKF 32309KM	90 – 91
NF309	NSK	12309KM 86 – 87	NU315	SKF 32315KM	90 – 91
NF315	NSK	12315KM 86 – 87	NU315M	32315M	90 – 91
NF320M		12320M 86 – 87	NU318	SKF 32318KM	90 – 91
NJ204	SKF	42204EШ1 94 – 95	NU320M	32320K1M	90 – 91
NJ205EC	SKF	42205A1E1YШ1 94 – 95	NU320M+HJ320	52320M	98 – 99
NJ232M		42232M1 96 – 97	NU322M	32322M	92 – 93
NJ232M		42232M 96 – 97	NU324M	32324M	92 – 93
NJ234MA		42234LM 96 – 97	NU326M	32326M	92 – 93
NJ236M		42236M 96 – 97	NU328M	32328M	92 – 93
NJ236M+HJ236		62236M1 98 – 99	NU328M+HJ328	52328M	98 – 99
NJ240M		42240M 96 – 97	NU330M	32330M	92 – 93



Условное обозначение Bearing designation			Условное обозначение Bearing designation		
Международное International	EПК EBC	Страница Page	Международное International	EПК EBC	Страница Page
NJ240M+HJ240		62240M 98 – 99	NU332+HJ332	52332M	98 – 99
NJ244M		42244M 96 – 97	NU332M	32332M	92 – 93
NJ305EC	SKF	42305AE1YШ1 94 – 95	NU332M	32332M	92 – 93
NJ315	SKF	42315KM 94 – 95	NU334M	32334M	92 – 93
NJ315+HJ315	SKF	62315KM 98 – 99	NU336M	32336M	92 – 93
NJ318	SKF	42318KM 94 – 95	NU340M	32340M	92 – 93
NU410M		32410M 90 – 91	1320M	1320M	52 – 53
NU417M		32417M 90 – 91	1321K + H321	11319LK	54 – 55
NU418M		32418M 90 – 91	1321KM	111321L	52 – 53
NU419M		32419M 90 – 91	1321M	1321L	52 – 53
NU421		32421M 90 – 91	1322KM	111322L	52 – 53
NU422M		32422M 92 – 93	1322KM + H322	11320LK	54 – 55
NU424M		32424M 92 – 93	2316M	1616L	52 – 53
NU426M		32426M 92 – 93	3200J	256500K	78 – 79
NU428M		32428M 92 – 93	3207J	3056207K	78 – 79
NUP228M		92228M1 100 – 101	3207MA	3056207L	78 – 79
NUP230M		92230K1M 100 – 101	3207MA	3056207S	78 – 79
NUP230M		92230M 100 – 101	3209MA	3056209L	78 – 79
NUP2315	SKF	92615KM 100 – 101	3211MA	3056211L	78 – 79
NUP240M		92240K1M 100 – 101	3214MA	3056214L	78 – 79
NUP315	SKF	92315KM 100 – 101	3215MA	3056215L	78 – 79
NUP320M		92320K1M 100 – 101	3216J	3056216	78 – 79
NUP328MA		92328LM 100 – 101	3305J	3056305	78 – 79
NUP417M		92417K2M 100 – 101	3313DAJ	3086313	80 – 81
NUP417TN		92417EM 100 – 101	395A-394D	TIMKEN 97913A	164 – 165
NUP426M		92426M 100 – 101	6032M	132L	40 – 41
RNU205	SKF	292205E 106 – 107	6034M	134L	40 – 41
RNU208	SKF	292208 106 – 107	6036M	136L	40 – 41
RNU210	SKF	292210 106 – 107	6040M	140L	40 – 41
RNU213	SKF	292213KM 106 – 107	6044M	144L	40 – 41
RNU306		292306K1 106 – 107	6048M	148L	40 – 41
RNU417M		292417LM 106 – 107	6052M	152L	40 – 41
TBU 120	SKF	TBU 120 230 – 231	6072M	172L	40 – 41
1219KM		111219L 52 – 53	6096M	196L	40 – 41
1219KM + H219		11217LK 54 – 55	6203	203	38 – 39
1219M		1219L 52 – 53	6203-2RS	180203	46 – 47
1220KM		111220L 52 – 53	6203-2Z	80203	44 – 45
1220KM + H220		11218LK 54 – 55	6203N	5203	42 – 43
1220M		1220L 52 – 53	6203-RS	160203	46 – 47
1221M		1221L 52 – 53	6203-Z	60203	44 – 45
1222		1222 52 – 53	6204	204	38 – 39
1222K		111222 52 – 53	6204-2RS	180204	46 – 47
1222K + H222		11220K 54 – 55	6204-2Z	80204	44 – 45
1222KM		111222L 52 – 53	6204-RS	160204	46 – 47
1222M		1222L 52 – 53	6204-Z	60204	44 – 45
1316		1316 52 – 53	6205	205	38 – 39
1316K + H316		11314K 54 – 55	6205-2RS	180205	46 – 47
1316KM		111316L 52 – 53	6205-2Z	80205	44 – 45
1316M		1316L 52 – 53	6205-RS	160205	46 – 47
1317M		1317L 52 – 53	6205-Z	60205	44 – 45



Условное обозначение Bearing designation			Условное обозначение Bearing designation		
Международное International	EПК EBC	Страница Page	Международное International	EПК EBC	Страница Page
1318	1318	52 – 53	6206	206	38 – 39
1318K + H318	11316K	54 – 55	6206-2RS	180206	46 – 47
1318KM	111318L	52 – 53	6206-2Z	80206	44 – 45
1318M	1318L	52 – 53	6206-RS	160206	46 – 47
1320	1320	52 – 53	6206-Z	60206K1	44 – 45
1320K	111320	52 – 53	6207	207	38 – 39
1320K + H320	11318K	52 – 53	6207-2RS	180207	46 – 47
6207-2Z	80207	44 – 45	6308-ZN	150308	48 – 49
6207-RS	160207	46 – 47	6310	310	38 – 39
6207-Z	60207	44 – 45	6310N	50310	42 – 43
6208	208	38 – 39	6312	312	38 – 39
6208-2RS	180208	46 – 47	6312-2RS	180312	46 – 47
6208-2Z	80208	44 – 45	6312-2Z	80312	44 – 45
6208N	50208	42 – 43	6312-RS	160312	46 – 47
6208-RS	160208	46 – 47	6312-Z	60312	44 – 45
6208-Z	60208	44 – 45	6313	313	38 – 39
6209	209	38 – 39	6313M	313L	38 – 39
6209-2Z	80209	44 – 45	6320M	320L	40 – 41
6209N	50209	42 – 43	6321M	321L	40 – 41
6209Z	60209	44 – 45	6324	324	40 – 41
6210	210	38 – 39	6330M	330L	40 – 41
6210-2Z	80210	44 – 45	6407	407	38 – 39
6210N	50210	42 – 43	6409	409	38 – 39
6210Z	60210	44 – 45	6409N	50409	42 – 43
6211	211	38 – 39	6409-ZN	150409	48 – 49
6214	214	38 – 39	6412	412	38 – 39
6214-2Z	80214	44 – 45	688TD/672	TIMKEN 347920M	174 – 175
6214Z	60214	44 – 45	7034B.M/DB	266134L2Y	66 – 67
6214M	214L	38 – 39	7040B.M/DB	266140L2	66 – 67
6217	217	38 – 39	7040B.M/DT	466140L2*	70 – 71
6219	219	38 – 39	7040B.MA	66140L1	60 – 61
62206-2RS	180506E	46 – 47	7044B.M/DB	266144KL3	66 – 67
62206-RS	160506E	46 – 47	7044B.MA/DB	266144KL2	66 – 67
62208-2RS	180508E	46 – 47	7044B.M	66144KL3	64 – 65
62208-RS	160508E	46 – 47	7048B.MA/DB	266148KL1	66 – 67
6232M	232L	40 – 41	7048B.MA	66148KL1	60 – 61
6234	234	40 – 41	7052B.MA/DB	266152KL1	66 – 67
6236M	236L	40 – 41	7052B.MA	66152KL1	60 – 61
6238M	238L	40 – 41	7205C.TPA/DT	436205K6	70 – 71
6305	305	38 – 39	7205C.TN	36205K6	62 – 63
6305-2RS	180305	46 – 47	7206C.T	36206E1	60 – 61
6305-2Z	80305	44 – 45	7206C.T/DT	436208E2*	70 – 71
6305N	50305	42 – 43	7206C.TPA/DT	436206E4*	70 – 71
6305-RS	160305	46 – 47	7206C.T/DT	436206E1*	70 – 71
6305Z	60305	44 – 45	7206C.TPA	36206E4	60 – 61
6306	306	38 – 39	7208C.T	36208E2	60 – 61
6306-2RS	180306	46 – 47	7210C.T	36210E	62 – 63
6306-RS	160306	46 – 47	7210C.T/DT	436210E	70 – 71
6307	307	38 – 39	7212C.T	36212E	62 – 63
6307-2Z	80307	44 – 45	7212C.T/DT	436212E	70 – 71



Условное обозначение Bearing designation			Условное обозначение Bearing designation		
Международное International	EПК EBC	Страница Page	Международное International	EПК EBC	Страница Page
6307N	50307	42 – 43	7213C.T/DT	436213E	70 – 71
6307-Z	60307	44 – 45	7213C.T	36213E	62 – 63
6308	308	38 – 39	7215C.T/DT	436215E	70 – 71
6308-2RS	180308	46 – 47	7215C.T	36215E	62 – 63
6308-2Z	80308	44 – 45	7234AC.MB	46234L	62 – 63
6308N	50308	42 – 43	7234AC.MB/DF	346234L	68 – 69
6308-RS	160308	46 – 47	7234AC.MB	36234L	62 – 63
6308-Z	60308	44 – 45	7256B.MA/DF	366256L2*	68 – 69
7256B.MA	66256L2	60 – 61	NJ2236MA+HJ2236	62536LM	98 – 99
7313AC.MB	46313L	62 – 63	NJ2312 +HJ2312	62612K	98 – 99
7313AC.MB/DF	346313L	68 – 69	NJ2312M +HJ2312	62612	98 – 99
7320AC.MB	46320L	62 – 63	NJ2313M	42613M	94 – 95
7320AC.MB/DF	346320L	68 – 69	NJ2315	42615K1M	94 – 95
7322AC.MB	46322L	62 – 63	NJ2318M	42618LM	94 – 95
7322B.M/DT	466322L1	70 – 71	NJ2320M	42620M	94 – 95
7322B.MB	66322L	62 – 63	NJ2326M	42626M	96 – 97
7322B.MB/DF	366322L1*	68 – 69	NN3006K	318210E	252 – 253
7322B.MB/DT	576322L*	70 – 71	NN3007K	3182107	252 – 253
7322B.TN	66322E	62 – 63	NN3008K.W33	3182108K	252 – 253
7322B.MB/TT	466322L1Y3	74 – 75	NN3009K.W33	3182109K	252 – 253
7324AC.MB	46324L	62 – 63	NN3010K.W33	3182110K	252 – 253
7326B.MA/DF	366326L1*	68 – 69	NN3011K.W33	3182111K	252 – 253
7326B.MA	66326L1	60 – 61	NN3012K	3182112	252 – 253
7330AC.MB/DF	346330L	68 – 69	NN3012KTN.W33	3182112KE	252 – 253
7330B.M/DT	466330L	70 – 71	NN3013K.W33	3182113K	252 – 253
7330B.MB	66330L	62 – 63	NN3014K	3182114	252 – 253
7330AC.MB	46330L	62 – 63	NN3014KTN.W33	3182114KE	252 – 253
7330AC.MB/DT	446330L	70 – 71	NN3015K	3182115	252 – 253
7334B.M/DB	266134L2	66 – 67	NN3015K.W33	3182115K	252 – 253
7410B.TN	66410E	62 – 63	NN3016K	3182116	252 – 253
7412B.T/DF	366412E	68 – 69	NN3016KTN.W33	3182116KE	252 – 253
7412B.TN	66412E	62 – 63	NN3017K.W33	3182117K	252 – 253
7412B.TN/DT	466412E	70 – 71	NN3018K	3182118	252 – 253
7412B.MB	66412L	62 – 63	NN3018KTN.W33	3182118KE	252 – 253
7414B.MB	66414L	62 – 63	NN3019KTN.W33	3182119KE	252 – 253
7416AC.MB	46416L	62 – 63	NN3020	3282120	252 – 253
7418B.MB	66418L	62 – 63	NN3020K	3182120	252 – 253
7418AC.MB	46418L	62 – 63	NN3020KTN.W33	3182120KE	252 – 253
7432B.MB	66432L	62 – 63	NN3021K.W33	3182121K	252 – 253
7432B.MB/DT	466432L1	70 – 71	NN3022K	3182122	254 – 255
7432B.MB/TT	466432L2Y3	74 – 75	NN3022K.W33	3182122K	254 – 255
F1740B	709823	188 – 189	NN3024K	3182124	254 – 255
F1741B	709723	188 – 189	NN3024K.W33	3182124K	254 – 255
F1937B	9733	188 – 189	NN3026K	3182126	254 – 255
JRM2525	TIMKEN 537905C17	170 – 171	NN3026K.W33	3182126K	254 – 255
JRM3534	TIMKEN 537907C17	170 – 171	NN3028K.W33	3282128K	254 – 255
N1032M	2132M	84 – 85	NN3028K.W33	3182128K	254 – 255
N2326M	2626M	84 – 85	NN3030K.W33	3282130K	254 – 255
N2872M	2002872M	84 – 85	NN3030K.W33	3182130K	254 – 255
NF2226M	12526M	86 – 87	NN3032K	3182132	254 – 255



Условное обозначение Bearing designation				Условное обозначение Bearing designation			
Международное International	EPC EBC	Страница Page		Международное International	EPC EBC	Страница Page	
NJ1024	SKF	42124	94 – 95	NN3032K.W33	3182132K1	254 – 255	
NJ1044MA		42144LM	96 – 97	NN3034.W33	3282134K	254 – 255	
NJ1052M		42152M	96 – 97	NN3034K.W33	3182134K1	254 – 255	
NJ1060MA+HJ1060		62160LM	98 – 99	NN3036K.W33	3182136K1	254 – 255	
NJ2212EC	SKF	42512	94 – 95	NN3040	3282140K	254 – 255	
NJ2212EC/DR	SKF	42512V2	122 – 123	NN3040K	3182140	254 – 255	SKF
NJ2224M		42524M	96 – 97	NN3040K.W33	3182140K	254 – 255	
NJ2226M		42526M	96 – 97	NN3044K	3182144	254 – 255	
NJ2236MA		42536LM	96 – 97	NN3048K.W33	3182148K	254 – 255	
NN3052K.W33		3182152K	254 – 255	RNU1948M	1292948M	106 – 107	
NN3056		3282156	254 – 255	T1011	19951XFK1	198 – 199	
NN3056K		3182156	254 – 255	T2EE040	7808A	148 – 149	SKF
NN3064K		3182164	254 – 255	T7FC055	27711A1	156 – 157	
NNF5026 ADA-2LSV	SKF	982826K	216 – 217	T7FC070	27714A1	156 – 157	
NUU4856/W33	SKF	4262856K	256 – 257	T7FC075	27715A	156 – 157	
NUU4856K/W33	SKF	4162856K	256 – 257	A7003C.TPA	36103K7	60 – 61	
NUU4920BK		4162920K	256 – 257	A7044B.MA	66144KJ2	60 – 61	
NUU4926K	FAG	4162926	256 – 257	16044M	7000144L	40 – 41	
NUU4938BK.W33		4162938K	256 – 257	22226KM	113526	126 – 127	
NUU4938BK.W33		4162938	256 – 257	22226M	3526	126 – 127	
NU1034M		32134M1	92 – 93	22228M.W33	3528AH	126 – 127	
NU1036MA		32136LM	92 – 93	22230M.W33	3530AH	126 – 127	
NU1038M		32138KM	92 – 93	22232M.W33	3532AH	126 – 127	
NU1040MA		32140L4	92 – 93	22238M.W33	3538AH	126 – 127	
NU1044M		32144M	92 – 93	22240M.W33	3540AH	126 – 127	
NU1052M		32152M	92 – 93	22244KM	113544	128 – 129	
NU1052MA		32152LM	92 – 93	22244M	3544	128 – 129	
NU1060FA		32160G2M	92 – 93	22264M	3564	128 – 129	
NU1060MA		32160LM	92 – 93	22272M	3572	128 – 129	
NU1868MA		1032868M	92 – 93	22280M	3580	128 – 129	
NU1948M		1032948M	92 – 93	22322KM	113622	126 – 127	
NU1952M		1032952M	92 – 93	22322KM + H2322	13620K	132 – 133	
NU1956M		1032956M	92 – 93	22322M	3622	126 – 127	
NU1964MA		1032964LM	92 – 93	22322MA	3622K	126 – 127	
NU2032E	SKF	2032132A	92 – 93	22324M.W33	3624H	126 – 127	
NU2048M		2032148M	92 – 93	22324KM+AHX2324	73623	134 – 135	
NU213	SKF	32213KM	90 – 91	22330M.W33	3630AH	126 – 127	
NU2224M		32524M	92 – 93	22332KM	113632	126 – 127	
NU2228M		32528M	92 – 93	22332KM + H2332	13628K	132 – 133	
NU2236MA+HJ2236		52536LM	98 – 99	22332M	3632	126 – 127	
NU2240E.M1	FAG	32540	92 – 93	22332KM+AH2332	73630	134 – 135	
NU2244M		32544M	92 – 93	22334M.W33	3634AH	126 – 127	
NU2305	SKF	32605KM	90 – 91	22336KM	113636	128 – 129	
NU2313.TN		32613EM	90 – 91	22336KM + H2336	13632K	132 – 133	
NU2313M		32613M	90 – 91	22336M	3636	126 – 127	
NU2315	SKF	32615KM	90 – 91	22336KM+AH2336	73634	134 – 135	
NU2315EMA/C3	FAG	32615AM	90 – 91	22340KM.W33	113640AH	128 – 129	
NU2316M		32616M	90 – 91	22340M.W33	3640AH	126 – 127	
NU2318M		32618M	90 – 91	22340KM+AH2340	73638	134 – 135	
NU2318MA+HJ2318		52618LM	98 – 99	22348KM	113648	128 – 129	



Условное обозначение Bearing designation				Условное обозначение Bearing designation			
Международное International	EPC EBC	Страница Page		Международное International	EPC EBC	Страница Page	
NU2320M		32620M	90 – 91	22348KM+AH2348		73644	134 – 135
NU2324EMA/C3	FAG	32624AM	92 – 93	22348M		3648	128 – 129
NU2326M+HJ2326		52626M	98 – 99	22356KM		113656	128 – 129
NU2334M		32634M	92 – 93	22356M		3656	128 – 129
NUP1040MA		92140L3M	100 – 101	22380M.W33		3680XH	128 – 129
NUP1052M		92152M	100 – 101	23036M.W33		3003136AH	126 – 127
NUP1052MA		92152LM	100 – 101	23040KM.W33		3113140AH	126 – 127
NUP1964MA		1092964LM	100 – 101	23040M.W33		3003140AH	126 – 127
NUP2214M		92514M	100 – 101	23044KM.W33		3113144H	128 – 129
RNU1052M		292152M	100 – 101	23044M		3003144H	128 – 129
23048KM + H3048		3013144	132 – 133	23048KM	SKF	7203A1	146 – 147
23048KM.W33		3113148H	128 – 129	30203X		7203	146 – 147
23048M		3003148	128 – 129	30204	SKF	7204A	238 – 239
23052KM.W33		3113152AH	128 – 129	30204	SKF	7204A	146 – 147
23052M		3003152AH	128 – 129	30205	SKF	7205A1	146 – 147
23056KM.W33		3113156AH	128 – 129	30205A		7205A	146 – 147
23056M		3003156A	128 – 129	30206	SKF	7206A	148 – 149
23060M		3003160A	128 – 129	30206A		7206A	148 – 149
23064M		3003164	128 – 129	30207	SKF	7207A	148 – 149
23068M		3003168	128 – 129	30207A		7207A	148 – 149
23072M		3003172	128 – 129	30207RX		67207	158 – 159
23080M		3003180	128 – 129	30208	SKF	7208A1	148 – 149
23088KM		3113188	128 – 129	30208A		7208A	148 – 149
23088M		3003188	128 – 129	30209	SKF	7209A1	148 – 149
23092KM		3113192	128 – 129	30209A		7209A1	150 – 151
23092M		3003192	128 – 129	30210	SKF	7210A1	150 – 151
23096M		3003196	128 – 129	30210A		7210A	150 – 151
23132M		3003732	126 – 127	30211	SKF	7211A1	150 – 151
23144KM + H3144		3013740	132 – 133	30211A		7211A	150 – 151
23144M		3003744	128 – 129	30212	SKF	7212A	150 – 151
23148KM + H3148		3013744	132 – 133	30212X		7212X1	150 – 151
23148M		3003748K	128 – 129	30214	SKF	7214A	152 – 153
23156M.W33		3003756AH	128 – 129	30214A		7214A	152 – 153
23160M.W33		3003760AH	128 – 129	30215	SKF	7215A1	152 – 153
23164M.W33		3003764AH	128 – 129	30215A		7215A	152 – 153
23176KM		3113776	128 – 129	30216	SKF	7216A	152 – 153
23176M		3003776	128 – 129	30217A		7217A	152 – 153
23180KM		3113780	128 – 129	30218	SKF	7218A	152 – 153
23180M		3003780	128 – 129	30220	SKF	7220A1	238 – 239
23180KM.W33+AH3180H		3073776K	134 – 135	30220	SKF	7220A1	152 – 153
23192KM.W33		3113792H	128 – 129	30221	SKF	7221A	152 – 153
23192M.W33		3003792H	128 – 129	30304	SKF	7304A	146 – 147
23234MC3		3003234	126 – 127	30305	SKF	7305A	146 – 147
23264M		3003264	128 – 129	30306	SKF	7306A	148 – 149
23276KM.W20 + H3276		3013272H	132 – 133	30306C	KBC	27706A	156 – 157
23296M.W33		3003296X	128 – 129	30307	SKF	7307A1	148 – 149
23332MA.W33		3003332A1HK	126 – 127	30307A		7307A	148 – 149
24068KM		4113168	128 – 129	30309	SKF	7309A1	150 – 151
29280MS		9039280	202 – 203	30310	SKF	7310A1	150 – 151
29320		9039320	202 – 203	30311	SKF	7311A	150 – 151





Условное обозначение Bearing designation			Условное обозначение Bearing designation		
Международное International	EPC EBC	Страница Page	Международное International	EPC EBC	Страница Page
29322	9039322	202 – 203	30312	SKF 7312A	150 – 151
29348E	9039348K	202 – 203	30313	SKF 7313AK	152 – 153
29352MS	9039352	202 – 203	30314	SKF 7314A	152 – 153
29364MS	9039364X	202 – 203	30315	SKF 7315A	152 – 153
29388MS	9039388	202 – 203	30319	SKF 7319A	238 – 239
29428MS	9039428	202 – 203	30322A	FAG 7322A	152 – 153
29452MS	9039452X	202 – 203	31305	SKF 1027305A	156 – 157
29472MS	9039472X	202 – 203	31309	SKF 27309A	156 – 157
29488MS	9039488X	202 – 203	31310	SKF 27310HA	156 – 157
2Y400-2	IBO 59891	196 – 197	31314	SKF 1027314A	156 – 157
30202X	7202	146 – 147	31317	27317	156 – 157
31318	SKF 1027318A	156 – 157	32211A	7511A	150 – 151
31318K11	SKF 1027318AY2X	172 – 173	32212	SKF 7512A1	150 – 151
320/28X	SKF 20071/28A	146 – 147	32212A	SKF 7512A	150 – 151
32004X	SKF 2007104A	146 – 147	32213	SKF 7513A1	152 – 153
32005X	SKF 2007105A	146 – 147	32215	SKF 7515A1	152 – 153
32006X	SKF 2007106A	238 – 239	32215A	SKF 7515A	152 – 153
32006X	SKF 2007106A	146 – 147	32216	SKF 7516A	152 – 153
32007X	SKF 2007107A	148 – 149	32217	SKF 7517A	152 – 153
32007X	SKF 2007107A	238 – 239	32217	SKF 7517A	238 – 239
32008X	SKF 2007108A	148 – 149	32218	SKF 7518A	152 – 153
32009	SKF 2007109	238 – 239	32219	SKF 7519A1	152 – 153
32009X	SKF 2007109A	148 – 149	32219X	SKF 7519	152 – 153
32009X	SKF 2007109A	148 – 149	32220	SKF 7520A	152 – 153
32011X	SKF 2007111	150 – 151	32226	SKF 7526A	154 – 155
32012X	SKF 2007112A	150 – 151	32230	SKF 7530A	154 – 155
32012X	SKF 2007112A	238 – 239	32305	SKF 7605A	146 – 147
32013X	SKF 2007113A	150 – 151	32306	SKF 7606A	148 – 149
32014X	SKF 2007114A	238 – 239	32306	SKF 7606A	238 – 239
32014X	SKF 2007114A	152 – 153	32307	SKF 7607A	238 – 239
32015X	SKF 2007115	152 – 153	32307	SKF 7607A	148 – 149
32016X	SKF 2007116A	152 – 153	32307B	SKF 27607A	156 – 157
32016X	SKF 2007116A1	238 – 239	32308	SKF 7608A1	148 – 149
32017X	SKF 2007117A1	152 – 153	32308A	SKF 7608A	148 – 149
32018X	SKF 2007118A	152 – 153	32309	SKF 7609A	150 – 151
32020X	SKF 2007120A	238 – 239	32309A	SKF 7609A	150 – 151
32020X	SKF 2007120A	152 – 153	32310	SKF 7610A1	150 – 151
32022X	SKF 2007122A	152 – 153	32310A	SKF 7610A	150 – 151
32024X	SKF 2007124A	238 – 239	32311	SKF 7611AK	150 – 151
32028	SKF 2007128	154 – 155	32311A	SKF 7611A	150 – 151
32028	SKF 2007128	238 – 239	32312	SKF 7612A	150 – 151
32028X	SKF 2007128A	154 – 155	32313	SKF 7613A1	152 – 153
32030X	SKF 2007130A	152 – 153	32313A	SKF 7613A1	152 – 153
32032	SKF 2007132	152 – 153	32313A	SKF 7613A	152 – 153
32032	SKF 2007132	238 – 239	32314	SKF 7614A	152 – 153
32036	SKF 2007136	240 – 241	32315	SKF 7615A	152 – 153
32038	SKF 2007138	240 – 241	32913	SKF 2007913A	150 – 151
32040	SKF 2007140	240 – 241	32934	SKF 2007934K1	152 – 153
32048	SKF 2007148	240 – 241	32934	SKF 2007934	154 – 155
32048X	SKF 2007148	152 – 153	32934	SKF 2007934K1	154 – 155



Условное обозначение Bearing designation			Условное обозначение Bearing designation		
Международное International	EPC EBC	Страница Page	Международное International	EPC EBC	Страница Page
32206	SKF 7506A	148 – 149	32938	2007938A	154 – 155
32207	SKF 7507A1	148 – 149	32938	SKF 2007938	154 – 155
32208	SKF 7508A	148 – 149	32938	SKF 2007938	240 – 241
32208A	SKF 7508A	148 – 149	32944	FAG 2007944A	240 – 241
32208A	SKF 7608A1	148 – 149	32948	SKF 2007948	154 – 155
32209	SKF 7509A	150 – 151	32948	SKF 2007948A	240 – 241
32209	SKF 127509AK	148 – 149	32952	SKF 2007952A	154 – 155
32210	SKF 7510A1	150 – 151	32952	FAG 2007952A	240 – 241
32210	SKF 7510A1	238 – 239	33005Jg	KBC 3007105A	146 – 147
32210A	SKF 7510A	150 – 151	33013	SKF 3007113A	150 – 151
32210R	SKF 67510A	158 – 159	33018	SKF 3007118A	152 – 153
32211	SKF 7511A1	150 – 151	33018K11	SKF 3007118AY2X	172 – 173
33122	SKF 3007722A	238 – 239	51336F	SKF 8336HG	184 – 185
33205	SKF 3007205A	146 – 147	51336M	SKF 8336HЛ	184 – 185
33210	SKF 3007210A	150 – 151	51340M	SKF 8340Л	184 – 185
33212	SKF 3007212A	150 – 151	51368F	SKF 8368Г	184 – 185
33213	SKF 3007213A	150 – 151	51413M	SKF 8413Л	182 – 183
51124	SKF 8124	182 – 183	51420M	SKF 8420Л	182 – 183
51126M	SKF 8126Л	182 – 183	51426M	SKF 8426Л	182 – 183
51128M	SKF 8128Л	182 – 183	52224	SKF 38224	182 – 183
51132M	SKF 8132Л	184 – 185	52236	SKF 38236	184 – 185
51134M	SKF 8134Л	184 – 185	52324	SKF 38324	182 – 183
51136F	SKF 8136HG	184 – 185	53220+U220	SKF 18220K	186 – 187
51136M	SKF 8136Л	184 – 185	53222+U222	SKF 18222	186 – 187
51140F	SKF 8140HG	184 – 185	53224+U224	SKF 18224	186 – 187
51140M	SKF 8140Л	184 – 185	53226+U226	SKF 18226	186 – 187
51144F	SKF 8144HG	184 – 185	53228+U228	SKF 18228	186 – 187
51144M	SKF 8144Л	184 – 185	53320M+U320	SKF 18320Л	186 – 187
51148M	SKF 8148Л	184 – 185	53322+U322	SKF 18322K	186 – 187
51152F	SKF 8152HG	184 – 185	53324+U324	SKF 18324	186 – 187
51152M	SKF 8152Л	184 – 185	53413M+U413	SKF 18413Л	186 – 187
51156F	SKF 8156HG	184 – 185	53426M+U426	SKF 18426Л	186 – 187
51156M	SKF 8156Л	184 – 185	54324+U324	SKF 48324	186 – 187
51164M	SKF 8164Л	184 – 185	60/500M	SKF 1/500Л	40 – 41
51168F	SKF 8168HG	184 – 185	60/560M	SKF 1/560Л	40 – 41
51172M	SKF 8172Л	184 – 185	61830M	SKF 1000830Л	40 – 41
51180M	SKF 8180	184 – 185	61834M	SKF 1000834Л	40 – 41
51220	SKF 8220K	182 – 183	61840M	SKF 1000840Л	40 – 41
51222	SKF 8222	182 – 183	61892F	SKF 1000892	40 – 41
51222M	SKF 8222Л	182 – 183	61892M	SKF 1000892Л	40 – 41
51224	SKF 8224	182 – 183	61896M	SKF 1000896Л	40 – 41
51226	SKF 8226	182 – 183	61926M	SKF 1000926Л	40 – 41
51228	SKF 8228	182 – 183	61928M	SKF 1000928Л	40 – 41
51228M	SKF 8228Л	182 – 183	61930	SKF 1000930Л	40 – 41
51230F	SKF 8230HG	182 – 183	61932M	SKF 1000932Л	40 – 41
51230M	SKF 8230Л	184 – 185	61944M	SKF 1000944Л	40 – 41
51236	SKF 8236	184 – 185	61948M	SKF 1000948Л	40 – 41
51236M	SKF 8236Л	184 – 185	61952M	SKF 1000952Л	40 – 41
51240M	SKF 8240Л	184 – 185	71884C.MB	SKF 1036884Л	64 – 65
51244M	SKF 8244Л	184 – 185	81232	SKF 9232	188 – 189

Условное обозначение Bearing designation			Условное обозначение Bearing designation		
Международное International	EПК EBC	Страница Page	Международное International	EПК EBC	Страница Page
51256M	8256Л	184 – 185	238/750M.W33	40038/750H	130 – 131
89422	9009422	190 – 191	LM11949/LM11910	7804Y	146 – 147
51260F	8260Г	184 – 185	239/750M.W33	30539/750HX	130 – 131
89440	9009440	190 – 191	LM48548/LM48510	TIMKEN 7907AK	148 – 149
51268M	8268Л	184 – 185	240/850MA.W33	40031/850	130 – 131
HR302/28	NSK 7706	146 – 147	LM67048/LM67010	TIMKEN 7906A1	148 – 149
51272F	8272Г	184 – 185	241/670M.W33	40537/670HX	130 – 131
JXC25469C	TIMKEN 537909KC17	170 – 171	LM78349/LM78310A	TIMKEN 2007807A	148 – 149
51292F	8292Г	184 – 185	241/710KM.W33	41537/710XH	130 – 131
NNU49/500B/SPW33X.C3	SKF 42629/500Y	256 – 257	LM78349/LM78310A	TIMKEN 2007807AK	148 – 149
51296M	8296Л	184 – 185	241/710M.W33	40537/710XH	130 – 131
RUS 26126	INA БР 26x126	234 – 235	M86649/M86610	TIMKEN 7106P	148 – 149
51320F	8320НГ	182 – 183	294/500MS	90394/500X	202 – 203
SL014932	INA 4722932	220 – 221	M88048-M88010	TIMKEN 3007306	148 – 149
51320M	8320НЛ	182 – 183	294/710MS	90394/710X	202 – 203
SL014944	INA 4722944	220 – 221	110055/110100HEO	GAMET 697711ЛКУ	248 – 249
51322	8322	182 – 183	511/500F	81/500Г	184 – 185
SL014948	INA 4722948	220 – 221	111050/111090C	GAMET 67810ЛК	242 – 243
51322M	8322Л	182 – 183	511/670F	81/670Г	184 – 185
SL014952	INA 4722952M	220 – 221	111050/111090H	GAMET 697810ЛК	248 – 249
51324	8324	182 – 183	512/630F	82/630	184 – 185
SL181844	INA 1612844	86 – 87	111050/111090P	GAMET 17810Л	244 – 245
51326M	8326Л	182 – 183	512/630M	82/630Л	184 – 185
SL181852	INA 1612852M	86 – 87	112045/112085C	GAMET 67809ЛК	242 – 243
51330M	8330Л	184 – 185	517423	FAG 582753Л	212 – 213
SL181876	INA 1612876	86 – 87	113060/113100C	GAMET 67712Л	242 – 243
SL182215	INA 612515	86 – 87	529/522	TIMKEN 7410A	150 – 151
25580/25520	TIMKEN 7009A	148 – 149	113060/113100H	GAMET 697712Л	248 – 249
SL182215-2S	INA 612515Y2	122 – 123	718/600FB	10468/600	64 – 65
28584/28521	TIMKEN 7810A	150 – 151	130065/130120P	GAMET 17713Л	244 – 245
1173391EC8944-50	IBO 7007A	148 – 149	718/600MB	10468/600Л	64 – 65
37425/37625	TIMKEN 7921A	152 – 153	130070/130120HE	GAMET 697814Л	248 – 249
230/530M.W33	30031/530	128 – 129	718/670FB	10468/670Г	64 – 65
90381/90744	TIMKEN 27719A	156 – 157	130070/130120P	GAMET 17814Л	244 – 245
230/560M.W33	30031/560H	128 – 129	719/530MB	10469/530Л	64 – 65
JL68145/JL68111	TIMKEN 2007407A1K	148 – 149	131093X/131152XC	GAMET 67719ЛК	242 – 243
230/600M.W33	30031/600HX	128 – 129	719/630B.MB	10669/630Л	64 – 65
JL69349/JL69310	TIMKEN 20070/38A	148 – 149	131095/131152XP	GAMET 17819Л	244 – 245
230/600KM.W33	31131/600HX	128 – 129	RSL182206-2S	INA 712506Y2	222 – 223
K-L68149/K-L68110	SKF 2007707A1	148 – 149	133075/133130P	GAMET 17715ЛК	244 – 245
230/600KM.W33+AH30/600AH	30731/570HX	134 – 135	RSL182207-2S	INA 712507Y2	222 – 223
K-LM11949/K-LM11910	7804Y	146 – 147	140080/140140H	GAMET 697716Л	248 – 249
231/500M	30037/500X	128 – 129	RSL182209-3S	INA 712509Y3	222 – 223
L44643/L44610	TIMKEN 2007405A1	146 – 147	140080/140140P	GAMET 17716Д4	244 – 245
231/600	30037/600Г	128 – 129	RSL183011-3S	INA 371211Y3	222 – 223
L44649/L44610	TIMKEN 2007406A1	146 – 147	140080/140140P	GAMET 17716Л4	244 – 245
232/530KM	31132/530	128 – 129	RSL183022-3S	INA 371212Y3	222 – 223
L45449/L45410	TIMKEN 7006A	146 – 147	140085/140140HE	GAMET 697817Л	248 – 249
232/850M	30032/850X	130 – 131	SL182217	INA 612517	86 – 87
L68149/L68111	TIMKEN 2007407A1	148 – 149	140085/140140P	GAMET 17717Л	244 – 245

Условное обозначение Bearing designation			
Международное International	EПК EBC	Страница Page	
SL182217-2S	INA	612517Y2	122 – 123
160095/160152XP	GAMET	17719ЛК	244 – 245
SL182934	INA	2612934	86 – 87
160098X/160152XC	GAMET	67920Л	242 – 243
SL182956	INA	2612956	86 – 87
160098X/160152XP	GAMET	17920Л	244 – 245
SL183014	INA	3612114	86 – 87
180100/180180P	GAMET	17720Л	244 – 245
SL183022	INA	3612122	86 – 87
184120/184190H	GAMET	697824Л	248 – 249
718/1060FB		10468/1060	64 – 65
EE291201/291750	TIMKEN	7961	154 – 155
718/1250FB		10468/1250	64 – 65
EE291250/291751CD	TIMKEN	97963	166 – 167
3780/3720B	TIMKEN	67910A	158 – 159
EE430900/431575	TIMKEN	7846Л	240 – 241
JRM3535/3564XD	TIMKEN	537707C17	170 – 171
EE526130/526191CD	TIMKEN	97966M	166 – 167
JRM3935A/JRM3968XD	TIMKEN	537807C17	170 – 171
H244848TD/H244810	TIMKEN	347944M	174 – 175
JRM3939/JRM3968XD	TIMKEN	537808C17	170 – 171
HH437549/HH437510	TIMKEN	7433M	154 – 155
14125A/14276	TIMKEN	1007806A	148 – 149
HM237545/HM237510CD	TIMKEN	97936Л	246 – 247
15123/15245	TIMKEN	1007706A	148 – 149
HM256849/HM256810CD	TIMKEN	97960	166 – 167
17887/17831	TIMKEN	7109P	150 – 151
HM262749/HM262710CD	TIMKEN	97969Л	246 – 247
HM265049/HM265010CD	TIMKEN	97974	166 – 167
HM266449D-410-410D	TIMKEN	77877M	178 – 179
JLM104948/JLM104910	TIMKEN	7710A	150 – 151
JM736149/JM736110	TIMKEN	1007936Л	240 – 241
LL575349/LL575310	TIMKEN	79/540	154 – 155
LL639249/LL639210	TIMKEN	7939A	154 – 155
LM102949/LM102910	TIMKEN	1007409	150 – 151
LM11749/LM11710	TIMKEN	7703A	146 – 147
LM300849/LM300811	TIMKEN	2007808A	148 – 149
LM503349/LM503310	TIMKEN	2007409	150 – 151
M249732/M249710CD	TIMKEN	97945K	166 – 167
M249734/M249710CD	TIMKEN	97946K	166 – 167
M249749/M249710CD	TIMKEN	97951	166 – 167
M252349D-310-310D	TIMKEN	77754M	150 – 151
M268749/M268710CD	TIMKEN	97983	166 – 167
M268749-M268710	TIMKEN	7983	154 – 155
M270749D-710-710D	TIMKEN	77890	150 – 151
M272749/M272710D	TIMKEN	97996	166 – 167
M349549-M349510	TIMKEN	7952A	154 – 155
NA285160/285228D	TIMKEN	97981	166 – 167
HM261049DW/HM261010	TIMKEN	847967ЛМУ	174 – 175



# THE MAIN BEARINGS DATA

## BEARINGS CLASSIFICATION

Rolling bearings are classified according to the following main features:

- the direction of carried load relatively to the shaft axis (deep groove ball bearings, cylindrical, spherical bearings, thrust bearings);
- the number of rolling elements rows (single-row, double-row, four-row);
- the ability for self-alignment in a support (bearings with shields, bearings with seals);
- the method of bearing mounting in the support (with snap groove in outer ring, with outer ring flange, with adapter sleeves).

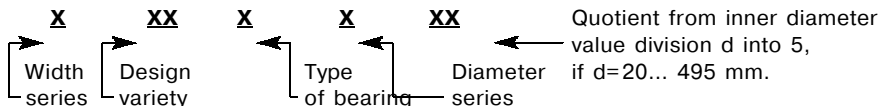
Together with bearings of standard design the plant produces a large number of bearings of special design, the usage of which by the customer in every certain case requires the consultation with the supplier.

## BEARING DESIGNATIONS SYSTEM

The Russian system of bearing designations is based on the following features:

- inner diameter of bearing;
- diameter and width series or height series;
- type of bearing;
- design variety.

All these parameters are designated by figures. The largest number of figures in the main part of bearing designation may be seven. The last number of figures is two. The order of figures counting in bearing designation runs from the right to the left. Symbols arrangement of bearing designation must be in correspondence with the scheme:



Bearings with inner diameter more than 495 mm are designated by fraction, where the denominator is the dimension of inner diameter, figures of the numerator are dimension series, type and design features in adopted for all bearings order, keeping in mind that two figures of the designation are already used. The fourth figure from the right represents the bearing type (according to table 1).



Table 1.

**Bearing designations**

Bearing types	Designation
Deep groove ball bearing	0
Self-aligning ball bearing	1
Roller bearing with short cylindrical rollers	2
Radial self-aligning roller bearing	3
Radial roller bearing with long cylindrical rollers or needle rollers	4
Spiral wound roller bearing	5
Angular-contact thrust ball bearing	6
Taper roller bearings	7
Thrust ball bearing, angular-contact thrust ball bearing	8
Cylindrical roller thrust bearing, spherical roller thrust bearing	9

Code letters and figures additional to the basic designation are used to distinguish bearings which differ from standard or have modified components.

A figure with a dash before the basic designation indicates tolerance class of a bearing. Radial clearance group and friction torque row are given before tolerance class. The symbols for designation of normal radial clearance group and normal tolerance class are usually omitted.

The values of supplementary signs additional to the basic designation are given in tables 2, 3.

Table 2.

**Supplementary signs**

The value of supplementary signs	Supplementary signs
Increased load carrying capacity bearings	A
Case hardened steel rings and rolling elements or rings	X
All bearing elements or part of them made of corrosion-resistant steel	Ю
High temperature steel bearing elements	P
Cage:	
ferrous metals cage	Г
tinless bronze cage	Б
aluminum alloy cage	Д
brass cage	Л
plastic cage	Е
Design modifications of bearing elements	К
Elements tempering temperature special requirements	Т
Bearings vibration level special requirements	Ш
Supplementary requirements to bearing elements surface roughness, radial clearance, axial play, cross face width, elements coating, etc	У
Rollers with modified profile	М

Note: the figures after supplementary sign in bearing designation indicate its modification.

Supplementary signs given in table 2 do not apply to the bearings the distinguished features of which constitute property of their basic design.



The list of such bearings is given below:

deep groove ball bearings with pressed steel cages;

double-row self-aligning ball bearings with pressed steel cages;

single-row and multiple-row radial roller bearings with massive brass cages  
with rivets;

double-row self-aligning roller bearings with massive brass cages;

radial roller bearings with spiral wound and needle rollers with steel cages;

angular-contact ball bearings with pressed steel cages;

taper roller bearings with pressed steel cages;

thrust ball bearings with pressed steel cages;

thrust roller bearings with massive brass cages.



Table 3.

### Supplementary signs, indicating lubrication type for sealed and shielded bearings

Supplementary signs	Type of lubrication	Operating temperature, t° C	Application
—	ЦИАТИМ-201	-60 +90	Friction units of airplanes and helicopters; are not recommended in cases of high specific loads
C1	ОКБ-122-7	-60 +120	Aviation electrical machines, precision instrument bearings
C2	ЦИАТИМ-221	-60 +150	Aircraft, electrical machines
C3	ВНИИМП-210	-60 +250	Heavy load bearings operating at low speed
C4	ЦИАТИМ-221С	-50 +180	Aviation electrical machines
C5	ЦИАТИМ-201	-40 +110	Instrument bearings; bearings operating at high speed
C6	ПФМС-4С	-30 +300	Screw ball gears and bearings operating at low speed
C7	ВНИИМП-271	-60 +130	Instruments; bearings of low friction torque
C8	ВНИИМП-235	-60 +250	Oscillatory bearings
C9	ЛЗ-31	-40 +130	Release bearings for coupling
C10	№158	-40 +120	Needle bearings for car gimbals drive
C11	СИОЛ	-30 +139	High speed bearings for electrospindles
C12	ВНИИМП-260	-50 +180	Instruments; high speed ball bearings
C13	ВНИИМП-281	-60 +120	Bearings for aircraft accessories
C14	ФИОЛ-2У	-30 +100	Needle bearings for motor vehicles
C15	ВНИИМП-207	-60 +180	Aviation electrical machines
C16	ВНИИМП-246	-60 +250	Light load, high speed bearings for vacuum electrical machines
C17	ЛИТОЛ-24	-40 +120	Multipurpose bearings
C18	ВНИИМП-233	-40 +250	Oscillatory bearings
C19	ВНИИМП-286	-60 +120	Gyroscopes
C20	ВНИИМП-274	-80 +130	Aircraft; instrument bearings
C21	ЭРА	-60 +120	Aircraft control systems; instruments
C22	СВЭМ	-60 +120	Ship electrical machines
C23	ШРУС-4	-40 +120	Bearings for motor vehicle and tractor couplings
C25	ИНДА	менее 300	Low speed conveyers, load trolleys, etc
C26	ЛДС-3	-50 +130	Common application electromotors
C27	ФАНОЛ	-40 +100	Wheel bosses; operating mechanisms of agricultural machines

The bearings given in this catalogue satisfy the demands of ISO standards and are interchangeable with bearings produced by international firms as far as their overall dimensions specifications and operating characteristics are concerned.

Comparative designations of bearings, types, produced by SKF (Sweden), FAG (Germany) and Russia are given in tables 4 and 5.



Table 4.

### Comparative designations of rolling bearings types and design varieties

Type of bearing	Design variety		Bearing designation			
			Country	Russia	Sweden	Germany
			Manufacturer	EBC	SKF	FAG
Deep-groove ball bearing	Single-row		1000800 1000900 100 7000100 200 300	61800 61900 6000 16000 6200 6300	61800 61900 6000 16000 6200 6300	
		With snap groove in outer ring	50200 50300	6200N 6300N	6200N 6300N	
		With one shield	60200 60300	6200-Z 6300-Z	6200.Z 6300.Z	
		With two shields	80200 80300	6200-2Z 6300-2Z	6200.2Z 6300.2Z	
		With two seals	180200 180500 180300	6200-2RS 62200-2RS 6300-2RS	6200.2RS 62200.2RS 6300.2RS	
Self-aligning ball bearing	Double-row	With cylindrical bore	1200 1300 1600	1200 1300 2300	1200 1300 2300	
		With tapered bore	111200 111300	1200K 1300K	1200K 1300K	
		With adapter sleeve	11200 11300	1200K+H200 1300K+H300	1200K+H200 1300K+H300	
Cylindrical roller bearing	Single-row	Without integral flanges on outer ring	2002800 2100 2200 2500 2300 2600	N2800 N1000 N200 N2200 N300 N2300	N2800 N1000 N200 N2200 N300 N2300	
		With one integral flange on outer ring	12500 12300	NF2200 NF300	NF2200 NF300	
		Without integral flanges on inner ring	1032800 1032900 2032100 32100 32200 32500 32300 32600 32400	NU1800 NU1900 NU2000 NU1000 NU200 NU2200 NU300 NU2300 NU400	NU1800 NU1900 NU2000 NU1000 NU200 NU2200 NU300 NU2300 NU400	



Table 4.

Type of bearing	Design variety		Bearing designation			
			Country	Russia	Sweden	Germany
			Manufacturer	EBC	SKF	FAG
Cylindrical roller bearing	Single-row	With one integral flange on inner ring	42100 42200 42500 42300 42600 42400	NJ1000 NJ200 NJ2200 NJ300 NJ2300 NJ400	NJ1000 NJ200 NJ2200 NJ300 NJ2300 NJ400	
		Without integral flanges on inner ring and with angle ring	52300 52600	NU300+HJ300 NU2300+HJ2300	NU300+HJ300 NU2300+HJ2300	
		With one integral flange one inner ring and with angle ring	62500 62300 62600 62400	NJ2200+HJ2200 NJ300+HJ300 NJ2300+HJ2300 NJ400+HJ400	NJ2200+HJ2200 NJ300+HJ300 NJ2300+HJ2300 NJ400+HJ400	
		With one integral flange on inner ring and one loose flange	1092900 92100 92200 92500 92300 92600 92400	NUP1900 NUP1000 NUP200 NUP2200 NUP300 NUP2300 NUP400	NUP1900 NUP1000 NUP200 NUP2200 NUP300 NUP2300 NUP400	
	Double-row	With tapered bore: – with integral flanges on inner ring; – with integral flanges on outer ring	3182100 4162900 4162800	NN3000K NNU4900BK NNU4800K	NN3000AK NNU4900K NNU4800K	
		With cylindrical bore: – with integral flanges on inner ring; – with integral flanges on outer ring	3282100 4262800 4262900	NN3000 NNU4800 NNU4900	NN3000A NNU4800 NNU4900	
	Spherical roller bearing	Double-row	With cylindrical bore	4003800 3003900 3053900 3003100 4003100 3003700 4003700 4053700 3500 3003200 3600 53600 3003300	24800 23900 23900C 23000 24000 23100 24100 24100C 22200 23200 22300 22300C 23300	24800 23900 23900E 23000 24000 23100 24100 24100E 22200 23200 22300 22300E 23300
			With tapered bore	3113100 4113100 3113700 4153700 3113200	23000K 24000K 23100K 24100K 23200K	23000K 24000K 23100K 24100K 23200K





Table 4.

Type of bearing	Design variety		Bearing designation				
			Country	Russia	Sweden	Germany	
			Manufacturer	EBC	SKF	FAG	
Spherical roller bearing	Double-row	With tapered bore	113500 113600	22200K 22300K	22200K 22300K		
		With adapter sleeve	3013100 3013700 3013200 13600	23000K+H3000 23100K+H3100 23200K+H3200 22300K+H2300	23000K+H3000 23100K+H3100 23200K+H3200 22300K+H2300		
Angular-contact ball bearing	Single-row	Angle of contact 12° (15°)	1036800 1036900 36100 36200	71800C 71900C 7000C 7200C	15°	71800C 71900C 7000C 7200C	15°
		Angle of contact 26° (25°)	1046800 1046900 46100 46200 46300 46400	71800AC 71900AC 7000AC 7200AC 7300AC 7400AC	25°	71800C 71900E 7000E 7200E 7300E 7400E	25°
		Angle of contact 36° (40°)	1066800 1066900 66100 66200 66300 66400	71800B 71900B 7000B 7200B 7300B 7400B	40°	71800B 71900B 7000B 7200B 7300B 7400B	40°
		With four-contact	176100 176200 176300	QJ1000 QJ200 QJ300		QJ1000 QJ200 QJ300	
	Duplex bearings	Back-to-back arrangement	266100	7000B/DB			
		Face-to-face arrangement	346300 366200 366300 366400	7300AC/DF 7200B/DF 7300B/DF 7400B/DF			
		Tandem arrangement	436200 446300 466100 466300 466400	7200C/DT 7300AC/DT 7000B/DT 7300B/DT 7400B/DT			
			3056200	3200		3200	
	Double-row	With two-piece inner ring	3086300	3300D		3300D	

Table 4.

Type of bearing	Design variety		Bearing designation			
			Country	Russia	Sweden	Germany
			Manufacturer	EBC	SKF	FAG
Taper roller bearing	Single-row	Angle of contact 10°... 18°	2007900(A) 2007100(A) 7200(A) 7500A 7300A 7600A 3007100A 3007200A 3007700A	32900 32000X 30200 32200 30300 32300 33000 33200 33100	32900 32000(XA) 30200(A) 32200(A) 30300A 32300(A) 33000 33200 33100	
		Angle of contact 20°... 30°	27300 27600A 1027300A	31300X 32300B 31300	31300X 32300B 31300A	
		With flange on outer ring	67200 67500A	30200RX 32200RA		
Thrust ball bearing	Single-direction		9008100 8100 8200 8300 8400	59100 51100 51200 51300 51400	59100 51100 51200 51300 51400	
		With spherical housing washer	18200 18300 18400	53200+U200 53300+U300 53400+U400	53200+U200 53300+U300 53400+U400	
	Double-direction		38200	52200	52200	
Spherical roller thrust bearing			9039200 9039300 9039400	29200 29300 29400	29200MS 29300MS 29400MS	
Cylindrical roller thrust bearing		Single-direction	9009100 9009400 9200	89100 94008 81000	89100 94008 81000	



Table 5.

### Comparative designation of bearings additional symbols

Country		Russia	Sweden	Germany
Firm		EBC	SKF	FAG
Tolerance class designation		0	PO	PO
		6	P6	P6
		5	P5	P5
		4	P4	P4
		2	P2	P2
Types of bearings		Radial clearance group designation		
Single-row deep-groove ball bearings $d < 200$ mm		6 normal	C2 normal	C2 CO normal
		7	C3	C3
		8	C4	C4
		9	C5	C5
		Cylindrical roller bearings with non-interchangeable rings  $d < 50$ mm		0
5 normal (6)	C2 normal			C2 CO normal
7	C3			C3
8	C3			C3
9	(C5)			(C5)
Double-row spherical roller bearings with cylindrical and tapered bores		1	–	–
		2 normal	C2 normal	C2 CO normal
		3	C3	C3
		4	C4	C4
		5	C5	C5

#### Designations of roller bearing design modifications

Modifies internal design	A	–	A
Dimensions according to ISO	–	X	X
Modified contact	M	–	–
Lubrication groove and three holes in outer ring	H	W33	S
Material of machines (moulded) cage	Designation of cage material		
Ferrous metals	Г	F	F
Aluminium alloy	Д	L	L
Brass	Л	M	M
Glass fibre reinforced polyamide	E	TN	TV (TN)
Fabric reinforced phenolic resin	E	T	TP



## COMMON RECOMMENDATIONS FOR BEARINGS USAGE

The following factors must be taken into consideration while selecting bearings for operation under certain conditions:

1. Value and direction load. Loads can be radial (perpendicular to shaft axis), axial (length ways shaft axis) and combined;
2. Load type (constant, variable, vibrating or shock);
3. One or both rings speed (number of revolutions per minute);
4. Necessary bearing service life (in operation hours or in millions of revolutions for the whole operating resource);
5. Bearing environment (air, vacuum, water, aggressive liquid, gas, operating temperature, dust etc.);
6. Specific requirements to bearing unit. For example, the ability to ensure shaft displacement in axial direction while temperature differential, the usage of sleeve-adaptor or withdrawal sleeve for fitting the bearing on shaft, increasing bearing unit rigidity and bearing running accuracy, reduction of bearing unit overall dimensions in radial or axial direction etc.

Bearing service life is determined according to GOST 18855 (ISO 281) formulas or other reference literature and depends on bearing load rating value (dynamic C or static Co) and equivalent load value acting on bearing (dynamic P or static Po). Equivalent load is determined according to GOST 18855 (ISO 281) or GOST 18854 (ISO 76).

For increasing of compactness reducing of bearing unit weight we don't recommend to overestimate the demanded bearing service life. Under normal conditions (with 90% bearing service life warranty) real bearing service life, as a rule, is higher than the rated one.

It is recommended to use ball-bearings of normal tolerance class «0» (according to GOST 520). The bearings of higher tolerance classes are used only for units with precise running accuracy.

The possibility of effective standard design bearings usage under certain operating conditions is given in table 6.



Table 6.

**The possibility of standard design bearings usage under certain operating conditions**

Type of bearings	Bearing design	Bearings suitability for operating conditions								
		Purely radial load	Purely thrust load	Combined load	High speed	Rigidity	Low-noise rotation	Compensation of misalignments at rotation	Bearings with fixing	Floating bearings
Deep-groove ball bearings		●	■	■	●	■	●	✘	■	■
Self-aligning ball bearings		●	✘	✘	●	✘	●	●	■	■
Roller bearings with short cylindrical rollers	Single-row, without integral flanges on outer ring (on inner ring) and with double-flange inner (outer) ring	●	◆	◆	●	■	●	✘	◆	●
	Single-row with double-flange outer ring, single flange (flangeless) inner ring	●	■	■	●	●	■	✘	■	■
	Double-row, without integral flanges on outer (inner) ring and with integral flanges on inner (outer) ring	●	◆	◆	●	●	●	◆	◆	●
Radial self-aligning roller bearings		●	■	●	■	●	■	●	■	■
Radial roller bearings with long cylindrical rollers or needle rollers		●	◆	◆	■	●	■	◆	◆	●
Angular-contact ball bearings	Single-row	■	■	●	●	■	■	✘	●	◆
	Duplex bearings; back-to-back arrangement	■	■	●	■	■	■	◆	●	■
Taper roller bearings		■	■	●	■	■	■	✘	●	◆
Thrust ball bearings	Single- and double-direction	◆	●	◆	■	■	✘	◆	■	◆
	Single- and double-direction with spherical housing washer	◆	●	◆	■	■	✘	■	■	◆
Cylindrical roller thrust bearings		◆	●	◆	■	■	✘	◆	■	◆
Spherical roller thrust bearings		◆	●	■	■	●	✘	●	■	◆

Conventions:

- good
- satisfactory
- ✘ bad
- ◆ unsuitable



Permissible rotational speed for plastic and liquid lubricant, given in the catalogue, doesn't mean that it is admissible for any load. The main limited factor is temperature, which depends on bearing friction and ability of heat removal.

In some cases the given maximum rotational speed may be exceeded by change of load and lubricant mode.

Comparative high-speed values for main type bearings are given in table 7.

Table 7.

**High-speed of mine type bearings**

Bearing type	Bearing designation	Maximum rotational speed (rev per min)
Ball bearing:		
– single-row radial ball bearing	0000	1
– double-row self aligning ball bearing	1000	0,9
Roller bearing:		
– cylindrical roller bearing	2000	1
– double row self aligning roller bearing	3000	0,7
Angular-contact ball bearing	6000	1
Taper roller bearing:		
– single-row	7000	0,7
– double-row	97000	0,6
– four-row	77000	–
Thrust ball bearing	8000	0,3

The selection of lubricant and lubrication method is very important factor for normal bearings operation. Two types of lubricants are used for bearing lubrication, they are light oil lubricant and plastic lubricants. Each type has its own advantages.

The next factors must be taken into consideration while selecting bearing unit lubricant:

- bearing dimensions and speed. The more surface speed the less viscosity of liquid lubricant must be;
- unit operating temperature. For bearings operating at low temperatures (below 0°) it is recommended to use oils with solidification point 15 – 20°C lower than that of operating temperature and with minimum viscosity. Oils with increased viscosity are used for bearings, operating at 70 – 80°C. For bearings operating above 70 – 80°C it is recommended to use liquid lubricants with maximum viscosity.

The most wide-spread oil feed systems for bearing units lubrication are the following: oil bath; wick, lubrication by splash; tapered nozzle; spiral groove; measuring lubricator; atomized lubrication.

Oil for bearings lubricant is in fact solidified lubricating oil. Thickener creates structural fibrous carcass in lubricant and lubricating oil is retained in cells of the carcass.

Soapy lubricants are widely spread. In such a lubricant the thickener is soap of fatty acid and oil is mineral oil. Special lubricants are also used for bearing lubrication. They are made of synthetic oils or compounds from synthetic and mineral oil with different organic and non-organic substances as thickeners.



Plastic lubricants are used for units with difficult access and also for operation at high and shock loads with variable high speed. The retaining ability of plastic lubricant permits to use it as a seal for unit insulating. Spheres of recommended application and operating temperature ranges for Russian lubricants are given in table 3.



# BALL BEARINGS

## Single-row radial ball bearings

Single-row radial ball bearings are designed to carry radial loads as well as considerable thrust loads in either direction especially when radial clearances are increased. Axial load carrying capacity can be up to 70% of unused permissible radial load.

The application of suitable design, cage material and lubrication permits the bearings to operate at high speed.

The bearings fix the position of the shaft relatively to the housing in both directions. These bearings permit only small (up to  $0,5^\circ$ ) shaft misalignments in the support which size depends on inner clearances. In this case the bearings should operate at low speed. The number of bearing design varieties is rather large, the majority of them are standardized.

To simplify axial mounting the bearings may be produced with annular groove in outer ring in which snap circlip ring is inserted.

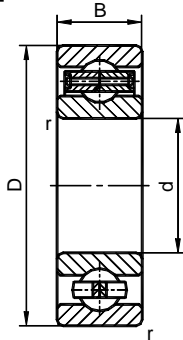
To cheapen bearings operation they are manufactured of sealed type with non-permanent filling lubricant. These bearings are produced of two versions: with metal shields and with rubber-metal seals. The seals may be also one-side fitted.

Single-row-radial ball bearings have cages of different design. The most popular is ribbon type pressed metal riveted cage. Brass, polyamide, fibre cages are used for bearings operation under special conditions.





ПОДШИПНИКИ РАДИАЛЬНЫЕ ШАРИКОВЫЕ ОДНОРЯДНЫЕ



ТИП 0000, 1000000, 7000000

Размеры, мм Dimensions, mm				Условное обозначение подшипника Bearing designation
d	D	B	r min	
17,000	40,000	12,000	0,60	203
20,000	47,000	14,000	1,00	204
25,000	52,000	15,000	1,00	205
25,000	62,000	17,000	1,10	305
30,000	62,000	16,000	1,00	206
30,000	72,000	19,000	1,10	306
35,000	72,000	17,000	1,10	207
35,000	80,000	21,000	1,50	307
35,000	100,000	25,000	1,50	407
40,000	80,000	18,000	1,10	208
40,000	90,000	23,000	1,50	170308E
40,000	90,000	23,000	1,50	308
45,000	85,000	19,000	1,10	209
45,000	120,000	29,000	2,00	409
50,000	90,000	20,000	1,10	210
50,000	110,000	27,000	2,00	170310E
50,000	110,000	27,000	2,00	310
55,000	100,000	21,000	1,50	211
60,000	130,000	31,000	2,10	312
60,000	150,000	35,000	2,10	412
65,000	140,000	33,000	2,10	170313E
65,000	140,000	33,000	2,10	313
65,000	140,000	33,000	2,10	313Л
70,000	125,000	24,000	1,50	214
70,000	125,000	24,000	1,50	214Л
85,000	150,000	28,000	2,00	217
95,000	170,000	32,000	2,10	219

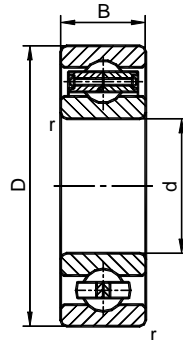


SINGLE-ROW RADIAL BEARINGS

SERIES 0000, 1000000, 7000000

Грузоподъемность, Н Basic load ratings, N		Предельное число оборотов, об/мин Limiting speeds, n/min		Масса, кг Mass, kg	Условное обозначение подшипника Bearing designation		Завод-изготовитель Manufacturer
динамич. dynamic	статич. static	при смазке lubrication			ЕПК EBC	Международное International	
C	Co	пласт. grease	жидк. oil	m			
9600	4800	17000	20000	0,0650	203	6203	ППЗ-1
13000	6000	15000	18000	0,1110	204	6204	ППЗ-1
14000	7800	12000	15000	0,1250	205	6205	ППЗ-1
25000	12000	11000	14000	0,2300	305	6305	ППЗ-1
19500	10000	10000	13000	0,2140	206	6206	ППЗ-1
28100	16000	9000	11000	0,3580	306	6306	ППЗ-1
25500	15300	9000	11000	0,2890	207	6207	ППЗ-1
36000	19000	8500	10000	0,4300	307	6307	ППЗ-1
55300	31000	7000	8500	8,5000	407	6407	ППЗ-1
32000	19000	8500	10000	0,3500	208	6208	ППЗ-1
41000	24000	7500	9000	0,6400	170308E		ППЗ-1
41000	24000	7500	9000	0,6400	308	6308	ППЗ-1
33000	21000	7500	9000	0,4100	209	6209	ППЗ-1
76100	45000	6000	7000	1,5200	409	6409	ППЗ-1
33000	21000	7000	8500	0,4600	210	6210	ППЗ-1
62000	38000	6300	7500	1,0800	170310E		ППЗ-1
62000	38000	6300	7500	1,0800	310	6310	ППЗ-1
43500	29000	6300	7500	0,6000	211	6211	ППЗ-1
82000	52000	5000	6000	1,7000	312	6312	ППЗ-1
108000	69500	4800	5600	2,8000	412	6412	ППЗ-1
92300	60000	4800	5600	2,1100	170313E		ППЗ-1
92000	60000	4800	5600	2,1100	313	6313	ППЗ-1
92000	60000	4800	5600	2,6700	313Л	6313М	ППЗ-1
60500	45000	5000	6000	1,3800	214	6214	ППЗ-1
60500	45000	5000	6000	1,4300	214Л	6214М	ППЗ-1
83000	64000	4300	5000	1,8000	217	6217	ППЗ-1
108000	81500	3600	4300	2,7000	219	6219	ППЗ-1

Возможные неточности и опечатки не могут являться основанием для юридических претензий  
No liability can be accepted for any errors and omissions



ТИП 0000, 1000000, 7000000

Размеры, мм Dimensions, mm				Условное обозначение подшипника Bearing designation
d	D	B	r min	
100,000	215,000	47,000	3,00	320Л
105,000	225,000	49,000	3,00	321Л
120,000	260,000	55,000	3,00	324
130,000	180,000	24,000	1,50	1000926Л
140,000	190,000	24,000	1,50	1000928Л
150,000	190,000	20,000	1,10	1000830Л
150,000	210,000	28,000	2,00	1000930Л
150,000	320,000	65,000	4,00	330Л
160,000	220,000	28,000	2,00	1000932Л
160,000	240,000	38,000	2,10	132Л
160,000	290,000	48,000	3,00	232Л
170,000	215,000	14,000	1,00	7000834Л
170,000	215,000	22,000	1,10	1000834Л
170,000	260,000	42,000	2,10	134Л
170,000	310,000	52,000	4,00	234
180,000	280,000	46,000	2,10	136Л
180,000	320,000	52,000	4,00	236Л
190,000	340,000	55,000	4,00	238Л
200,000	250,000	24,000	1,50	1000840Л
200,000	310,000	51,000	2,10	140Л
201,000	310,000	51,000	2,10	840Л
220,000	300,000	38,000	2,10	1000944Л
220,000	340,000	37,000	2,10	7000144Л
220,000	340,000	56,000	3,00	144Л
240,000	320,000	38,000	2,10	1000948Л
240,000	360,000	56,000	3,00	148Л
260,000	360,000	46,000	2,10	1000952Л
260,000	400,000	65,000	4,00	152Л
360,000	540,000	82,000	5,00	172Л
380,000	520,000	44,000	3,00	7000976Л
460,000	580,000	56,000	3,00	1000892
460,000	580,000	56,000	3,00	1000892Л
480,000	600,000	56,000	3,00	1000896Л
480,000	700,000	100,000	6,00	196Л
500,000	720,000	100,000	6,00	1/500Л
560,000	820,000	115,000	6,00	1/560Л

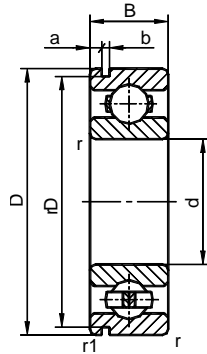


SERIES 0000, 1000000, 7000000

Грузоподъемность, Н Basic load ratings, N		Предельное число оборотов, об/мин Limiting speeds, n/min		Масса, кг Mass, kg	Условное обозначение подшипника Bearing designation		Завод-изготовитель Manufacturer
динамич. dynamic	статич. static	при смазке lubrication			ЕПК EBC	Международное International	
C	Co	пласт. grease	жидк. oil				
174000	140000	3000	3600	8,9300	320Л	6320M	ППЗ-1
182000	153000	2800	3400	10,1300	321Л	6321M	ППЗ-1
212000	186000	2400	3000	12,3000	324	6324	ППЗ-1
65000	67000	2600	3200	1,8600	1000926Л	61926M	ППЗ-1
66000	72000	2600	3200	2,1300	1000928Л	61928M	ППЗ-1
49000	61000	3000	3600	1,4500	1000830Л	61830M	ППЗ-1
88400	93000	2600	3200	3,5400	1000930Л	61930	ППЗ-1
276000	285000	1900	2400	27,6000	330Л	6330M	ППЗ-1
92000	98000	2600	3200	3,2200	1000932Л	61932M	ППЗ-1
140000	140000	2400	3000	6,4000	132Л	6032M	ППЗ-1
200000	186000	1900	2400	15,0000	232Л	6232M	ППЗ-1
28500	40100	2600	3200	1,3200	7000834Л	61932M	ППЗ-1
62000	78000	2600	3200	2,0300	1000834Л	61834M	ППЗ-1
168000	173000	2200	2800	8,6000	134Л	6034M	ППЗ-1
240000	224000	1900	2400	15,6000	234	6234	ППЗ-1
190000	200000	2000	2600	11,0000	136Л	6036M	ППЗ-1
229000	240000	1800	2200	18,5000	236Л	6236M	ППЗ-1
255000	280000	1700	2000	23,3000	238Л	6238M	ППЗ-1
76100	102000	2200	2800	2,8600	1000840Л	61840M	ППЗ-1
216000	245000	1900	2400	14,6000	140Л	6040M	ППЗ-1
216000	245000	1900	2400	14,6000	840Л		ППЗ-1
153300	180000	1900	2400	8,3300	1000944Л	61944M	ППЗ-1
174000	204000	1800	2200	13,8000	7000144Л	6044M	ППЗ-1
247000	290000	1800	2200	19,8000	144Л	6044M	ППЗ-1
159000	200000	1800	2200	9,6000	1000948Л	61948M	ППЗ-1
255000	315000	1700	2000	22,4000	148Л	6048M	ППЗ-1
212000	270000	1600	1900	14,7000	1000952Л	61952M	ППЗ-1
291000	375000	1500	1800	31,1000	152Л	6052M	ППЗ-1
462000	720000	1000	1300	71,5000	172Л	6072M	ППЗ-1
265000	298000	950	1100	31,2000	7000976Л		ППЗ-1
319000	580000	900	1100	36,3000	1000892	61892F	ППЗ-1
319000	580000	900	1100	36,3000	1000892Л	61892M	ППЗ-1
325000	600000	850	1000	42,1000	1000896Л	61896M	ППЗ-1
618000	980000	750	900	135,7000	196Л	6096M	ППЗ-1
620000	1040000	750	900	137,0000	1/500Л	60/500M	ППЗ-1
663000	1470000	630	750	210,6000	1/560Л	60/560M	ППЗ-1



## ПОДШИПНИКИ РАДИАЛЬНЫЕ ШАРИКОВЫЕ ОДНОРЯДНЫЕ С КАНАВКАМИ НА НАРУЖНЫХ КОЛЬЦАХ



## ТИП 50000

Размеры, мм Dimensions, mm								Условное обозначение подшипника Bearing designation
d	D	B	D <sub>r</sub>	a	b	r min	r <sub>1</sub> min	
17,000	40,000	12,000	38,100	2,06	1,35	0,6	0,5	50203
25,000	62,000	17,000	59,610	3,28	2,20	1,1	0,3	50305
35,000	80,000	21,000	76,810	3,28	1,90	1,5	0,5	50307
40,000	80,000	18,000	76,810	3,28	1,90	1,1	0,5	50208
40,000	90,000	23,000	86,790	3,28	2,70	1,5	0,5	50308
45,000	85,000	19,000	81,810	3,28	1,90	1,1	0,5	50209
45,000	120,000	29,000	115,210	4,06	3,10	2,0	0,5	50409
50,000	90,000	20,000	86,790	3,28	2,70	1,1	0,5	50210
50,000	110,000	27,000	106,810	3,28	2,70	2,0	0,5	50310



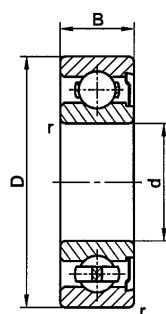
## SINGLE-ROW RADIAL BALL BEARINGS WITH GROOVE IN OUTER RING

## SERIES 50000

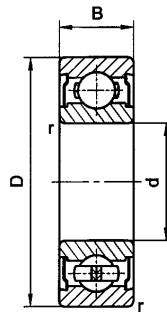
Грузоподъемность, Н Basic load ratings, N		Предельное число оборотов, об/мин Limiting speeds, n/min		Масса, кг Mass, kg	Условное обозначение подшипника Bearing designation		Завод-изготовитель Manufacturer
динамич. dynamic	статич. static	при смазке lubrication			EPC EBC	Международное International	
C	C <sub>0</sub>	пласт. grease	жидк. oil	m			
9600	4800	17000	20000	0,0640	50203	6203N	ГПЗ-1
25000	12000	11000	14000	0,2260	50305	6305N	ГПЗ-1
36000	19000	8500	10000	0,4280	50307	6307N	ГПЗ-1
32000	19000	8500	10000	0,3570	50208	6208N	ГПЗ-1
41000	24000	7500	9000	0,6330	50308	6308N	ГПЗ-1
33000	21000	7500	9000	0,4000	50209	6209N	ГПЗ-1
76100	45500	6000	7000	1,5200	50409	6409N	ГПЗ-1
33000	21000	7000	8500	0,4260	50210	6210N	ГПЗ-1
62000	38000	6300	7500	1,1000	50310	6310N	ГПЗ-1



**ПОДШИПНИКИ РАДИАЛЬНЫЕ ШАРИКОВЫЕ ОДНОРЯДНЫЕ  
С ОДНОЙ ИЛИ ДВУМЯ ЗАЩИТНЫМИ ШАЙБАМИ**



**60000**



**80000**

**ТИП 60000, 80000**

Размеры, мм Dimensions, mm				Условное обозначение подшипника Bearing designation
d	D	B	r min	
17,000	40,000	12,000	0,6	60203
17,000	40,000	12,000	0,6	80203
20,000	47,000	14,000	1,0	60204
20,000	47,000	14,000	1,0	80204
25,000	52,000	15,000	1,0	60205
25,000	52,000	15,000	1,0	80205
25,000	62,000	17,000	1,1	60305
25,000	62,000	17,000	1,1	80305
30,000	62,000	16,000	1,0	60206K1
30,000	62,000	16,000	1,0	80206
35,000	72,000	17,000	1,1	60207
35,000	72,000	17,000	1,1	80207
35,000	80,000	21,000	1,5	60307
35,000	80,000	21,000	1,5	80307
40,000	80,000	18,000	1,1	60208
40,000	80,000	18,000	1,1	80208
40,000	90,000	23,000	1,5	60308
40,000	90,000	23,000	1,5	80308
45,000	85,000	19,000	1,1	60209
45,000	85,000	19,000	1,1	80209
50,000	90,000	20,000	1,1	60210
50,000	90,000	20,000	1,1	80210
60,000	130,000	31,000	2,1	60312
60,000	130,000	31,000	2,1	80312
70,000	125,000	24,000	1,5	60214
70,000	125,000	24,000	1,5	80214



**SINGLE-ROW RADIAL BALL BEARINGS  
WITH ONE OR TWO SHIELDS**

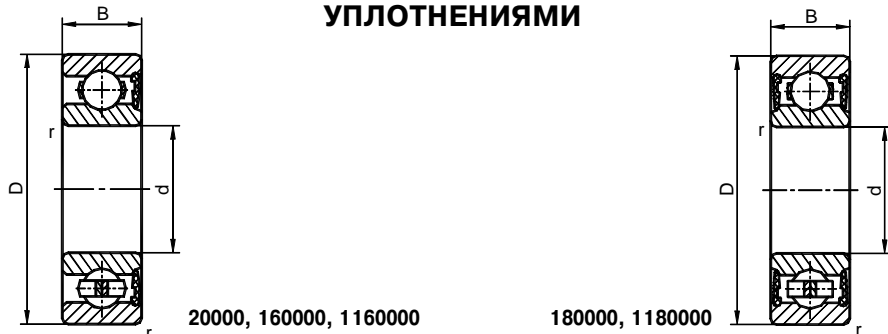
**SERIES 60000, 80000**

Грузоподъемность, Н Basic load ratings, N		Предельное число оборотов, об/мин Limiting speeds, n/min		Масса, кг Mass, kg	Условное обозначение подшипника Bearing designation		Завод-изготовитель Manufacturer
динамич. dynamic C	статич. static Co	при смазке lubrication			ЕПК EBC	Международное International	
		пласт. grease	жидк. oil				
9600	4800	17000	20000	0,064	60203	6203-Z	ППЗ-1
9600	4800	17000		0,064	80203	6203-2Z	ППЗ-1
13000	6000	15000	18000	0,106	60204	6204-Z	ППЗ-1
13000	6000	15000		0,108	80204	6204-2Z	ППЗ-1
14000	7800	12000	15000	0,129	60205	6205-Z	ППЗ-1
14000	7800	12000		0,127	80205	6205-2Z	ППЗ-1
25000	12000	11000	14000	0,222	60305	6305Z	ППЗ-1
25000	12000	11000		0,215	80305	6305-2Z	ППЗ-1
19500	10000	10000	13000	0,212	60206K1	6206-Z	ППЗ-1
19500	10000	10000		0,208	80206	6206-2Z	ППЗ-1
25500	15300	9000	11000	0,288	60207	6207-Z	ППЗ-1
25500	15300	9000		0,286	80207	6207-2Z	ППЗ-1
36000	19000	8500	10000	0,434	60307	6307-Z	ППЗ-1
36000	19000	8500		0,456	80307	6307-2Z	ППЗ-1
32000	19000	8500	10000	0,356	60208	6208-Z	ППЗ-1
32000	19000	8500		0,345	80208	6208-2Z	ППЗ-1
41000	24000	7500	9000	0,646	60308	6308-Z	ППЗ-1
41000	24000	7500		0,650	80308	6308-2Z	ППЗ-1
33000	21000	7500	9000	0,410	60209	6209Z	ППЗ-1
33000	21000	7500		0,406	80209	6209-2Z	ППЗ-1
33000	21000	7000	8500	0,456	60210	6210Z	ППЗ-1
33000	21000	7000		0,457	80210	6210-2Z	ППЗ-1
82000	52000	5000	6000	1,690	60312	6312-Z	ППЗ-1
82000	52000	5000		1,670	80312	6312-2Z	ППЗ-1
60500	45000	5000	6000	1,080	60214	6214Z	ППЗ-1
60500	45000	5000		1,100	80214	6214-2Z	ППЗ-1

Возможные неточности и опечатки не могут являться основанием для юридических претензий  
No liability can be accepted for any errors and omissions



**ПОДШИПНИКИ РАДИАЛЬНЫЕ ШАРИКОВЫЕ ОДНОРЯДНЫЕ  
С ОДНОСТОРОННИМИ ИЛИ ДВУХСТОРОННИМИ  
УПЛОТНЕНИЯМИ**



20000, 160000, 1160000

180000, 1180000

ТИП 20000, 160000, 180000, 1160000, 1180000

Размеры, мм Dimensions, mm				Условное обозначение подшипника Bearing designation
d	D	B	r min	
17,000	40,000	12,000	0,6	160203
17,000	40,000	12,000	0,6	180203
17,000	40,000	14,000	1,5	20703A2
17,000	47,000	15,000	1,5	20803AK2
17,000	47,000	15,500	1,5	20803AK2Y
20,000	47,000	14,000	1,0	160204
20,000	47,000	14,000	1,0	180204
20,000	52,000	18,000	1,1	1160304AK
20,000	52,000	18,000	1,1	1180304AK
25,000	52,000	15,000	1,0	160205
25,000	52,000	15,000	1,0	180205
25,000	62,000	17,000	1,1	160305
25,000	62,000	17,000	1,1	180305
30,000	62,000	16,000	1,0	160206
30,000	62,000	16,000	1,0	180206
30,000	62,000	20,000	1,0	160506E
30,000	62,000	20,000	1,0	180506E
30,000	72,000	19,000	1,1	160306
30,000	72,000	19,000	1,1	180306
35,000	72,000	17,000	1,1	160207
35,000	72,000	17,000	1,1	180207
40,000	80,000	18,000	1,1	160208
40,000	80,000	18,000	1,1	180208
40,000	80,000	23,000	1,1	160508E
40,000	80,000	23,000	1,1	180508E
40,000	90,000	23,000	1,5	160308
40,000	90,000	23,000	1,5	180308
60,000	130,000	31,000	2,1	160312
60,000	130,000	31,000	2,1	180312



**SINGLE-ROW RADIAL BALL BEARINGS  
WITH ONE-SIDED OR DOUBLE-SIDED SEALS**

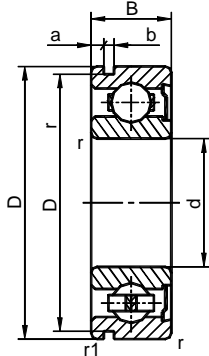
SERIES 20000, 160000, 180000, 1160000, 1180000

Грузоподъемность, Н Basic load ratings, N		Предельное число оборотов, об/мин Limiting speeds, n/min	Масса, кг Mass, kg	Условное обозначение подшипника Bearing designation		Завод-изготовитель Manufacturer
динамич. dynamic	статич. static			при смазке lubrication	ЕПК EBC	
C	Co	пласт. grease	m			
9600	4800	17000	0,065	160203	6203-RS	ГПЗ-1
9600	4800	17000	0,067	180203	6203-2RS	ГПЗ-1
12400	4500	4000	0,072	20703A2		ГПЗ-1
17600	6600	3200	0,130	20803AK2		ГПЗ-1
17600	6600	3200	0,136	20803AK2Y		ГПЗ-1
13000	6000	15000	0,108	160204	6204-RS	ГПЗ-1
13000	6000	15000	0,110	180204	6204-2RS	ГПЗ-1
16000	7800	15000	0,159	1160304AK		ГПЗ-1
16000	7800	15000	0,162	1180304AK		ГПЗ-1
14000	7800	12000	0,132	160205	6205-RS	ГПЗ-1
14000	7800	12000	0,130	180205	6205-2RS	ГПЗ-1
25000	12000	11000	0,212	160305	6305-RS	ГПЗ-1
25000	12000	11000	0,217	180305	6305-2RS	ГПЗ-1
19500	10000	10000	0,213	160206	6206-RS	ГПЗ-1
19500	10000	10000	0,205	180206	6206-2RS	ГПЗ-1
19500	11300	10000	0,261	160506E	62206-RS	ГПЗ-1
19500	11300	10000	0,261	180506E	62206-2RS	ГПЗ-1
28100	16000	9000	0,350	160306	6306-RS	ГПЗ-1
28100	16000	9000	0,357	180306	6306-2RS	ГПЗ-1
25500	15300	9000	0,290	160207	6207-RS	ГПЗ-1
25500	15300	9000	0,290	180207	6207-2RS	ГПЗ-1
32000	19000	8500	0,337	160208	6208-RS	ГПЗ-1
32000	19000	8500	0,343	180208	6208-2RS	ГПЗ-1
30700	19000	8500	0,436	160508E	62208-RS	ГПЗ-1
30700	19000	8500	0,446	180508E	62208-2RS	ГПЗ-1
41000	24000	7500	0,636	160308	6308-RS	ГПЗ-1
41000	24000	7500	0,648	180308	6308-2RS	ГПЗ-1
82000	52000	5000	1,730	160312	6312-RS	ГПЗ-1
82000	52000	5000	1,800	180312	6312-2RS	ГПЗ-1

Возможные неточности и опечатки не могут являться основанием для юридических претензий  
No liability can be accepted for any errors and omissions



**ПОДШИПНИКИ ШАРИКОВЫЕ РАДИАЛЬНЫЕ ОДНОРЯДНЫЕ  
С КАНАВКАМИ НА НАРУЖНЫХ КОЛЬЦАХ  
С ОДНОЙ ЗАЩИТНОЙ ШАЙБОЙ**



**ТИП 150000**

Размеры, мм Dimensions, mm								Условное обозначение подшипника Bearing designation
d	D	B	Dr	a	b	r min	r1 min	
40,000	90,000	23,000	86,790	3,28	2,70	1,5	0,5	150308
45,000	120,000	29,000	115,210	4,06	3,10	2,0	0,5	150409



**SINGLE-ROW RADIAL BALL BEARINGS  
WITH GROOVE IN OUTER RING AND ONE SHIELD**

**SERIES 150000**

Грузоподъемность, Н Basic load ratings, N		Предельное число оборотов, об/мин Limiting speeds, n/min		Масса, кг Mass, kg	Условное обозначение подшипника Bearing designation		Завод-изготовитель Manufacturer
динамич. dynamic	статич. static	при смазке lubrication			ЕПК EBC	Международное International	
C	Co	пласт. grease	жидк. oil				
41000	24000	7500	9000	0,637	150308	6308-ZN	ГПЗ-1
76100	45500	6000	7000	1,480	150409	6409-ZN	ГПЗ-1



## Double-row self-aligning ball bearings

These bearings are intended for carrying radial and light thrust loads. They are not recommended for considerable thrust loads, in such a case the bearing load carrying capacity decreases because only one row of balls will carry the load. These bearings are like to be more suitable in operation with wobbling motion than single-row radial ball bearings.

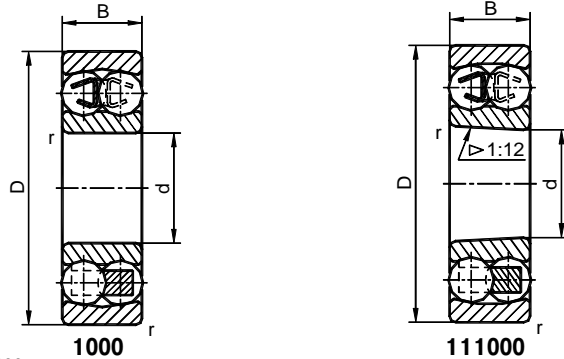
They fix position of shaft relatively to the housing in either axial direction. According to their design these bearings have two rows of balls, inner ring with two raceways and outer ring with one spherical raceway. They have the ability for self-alignment and can be applied when considerable misalignment of fitting surfaces and shaft deflection take place. Depending on series these bearings assume shaft misalignments in the support up to 2...3°.

Double-row self-aligning ball bearings may have inner rings with cylindrical or tapered bores. The bearings with tapered bore rings with sleeve-adaptee can be fitted on shafts without shoulders.

As a rule, these bearings have steel pressed cages. Bearings of large overall dimensions and of higher tolerance classes have brass solid cages.



**ПОДШИПНИКИ ШАРИКОВЫЕ РАДИАЛЬНЫЕ  
СФЕРИЧЕСКИЕ ДВУХРЯДНЫЕ**



ТИП 1000, 111000

Размеры, мм Dimensions, mm				Условное обозначение подшипника Bearing designation
d	D	B	r min	
80,000	170,000	39,000	2,1	111316Л
80,000	170,000	39,000	2,1	1316
80,000	170,000	39,000	2,1	1316Л
80,000	170,000	58,000	2,1	1616Л
85,000	180,000	41,000	3,0	1317Л
90,000	190,000	43,000	3,0	111318Л
90,000	190,000	43,000	3,0	1318
90,000	190,000	43,000	3,0	1318Л
95,000	170,000	32,000	2,1	111219Л
95,000	170,000	32,000	2,1	1219Л
100,000	180,000	34,000	2,1	111220Л
100,000	180,000	34,000	2,1	1220Л
100,000	215,000	47,000	3,0	111320
100,000	215,000	47,000	3,0	1320
100,000	215,000	47,000	3,0	1320Л
105,000	190,000	36,000	2,1	1221Л
105,000	225,000	49,000	3,0	111321Л
105,000	225,000	49,000	3,0	1321Л
110,000	200,000	38,000	2,1	111222
110,000	200,000	38,000	2,1	111222Л
110,000	200,000	38,000	2,1	1222
110,000	200,000	38,000	2,1	1222Л
110,000	240,000	50,000	3,0	111322Л



**DOUBLE-ROW SELF-ALIGNING BALL BEARINGS**

SERIES 1000, 111000

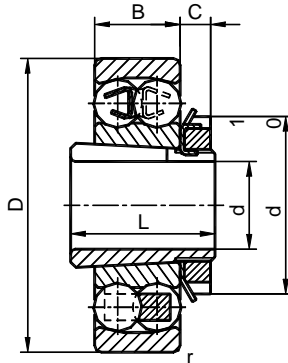
Грузоподъемность, Н Basic load ratings, N		Предельное число оборотов, об/мин Limiting speeds, n/min		Масса, кг Mass, kg	Условное обозначение подшипника Bearing designation		Завод-изготовитель Manufacturer
динамич. dynamic	статич. static	при смазке lubrication			ЕПК EBC	Международное International	
C	Co	пласт. grease	жидк. oil	m			
88400	33800	3600	4300	4,630	111316Л	1316KM	ППЗ-1
88400	33800	3600	4300	4,410	1316	1316	ППЗ-1
88400	33800	3600	4300	4,700	1316Л	1316M	ППЗ-1
135000	48000	2600	3200	5,950	1616Л	2316M	ППЗ-1
97500	38000	3400	4000	5,350	1317Л	1317M	ППЗ-1
117000	43900	3200	3800	6,080	111318Л	1318KM	ППЗ-1
117000	43900	3200	3800	5,710	1318	1318	ППЗ-1
117000	43900	3200	3800	6,170	1318Л	1318M	ППЗ-1
49000	28000	3600	4300	3,170	111219Л	1219KM	ППЗ-1
49000	28000	3600	4300	3,220	1219Л	1219M	ППЗ-1
68900	31000	3400	4000	3,740	111220Л	1220KM	ППЗ-1
68900	31000	3400	4000	3,830	1220Л	1220M	ППЗ-1
143000	57000	2800	3400	8,320	111320	1320K	ППЗ-1
143000	57000	2800	3400	8,440	1320	1320	ППЗ-1
143000	57000	2800	3400	8,440	1320Л	1320M	ППЗ-1
74000	33800	2800	3600	4,640	1221Л	1221M	ППЗ-1
157000	64900	2000	2600	10,170	111321Л	1321KM	ППЗ-1
157000	64900	2000	2600	10,300	1321Л	1321M	ППЗ-1
88400	39800	3000	3600	5,090	111222	1222K	ППЗ-1
88400	39800	3000	3600	5,320	111222Л	1222KM	ППЗ-1
88400	39800	3000	3600	5,170	1222	1222	ППЗ-1
88400	39800	3000	3600	5,400	1222Л	1222M	ППЗ-1
163000	71000	2400	3000	12,000	111322Л	1322KM	ППЗ-1

Возможные неточности и опечатки не могут являться основанием для юридических претензий  
No liability can be accepted for any errors and omissions





**ПОДШИПНИКИ ШАРИКОВЫЕ РАДИАЛЬНЫЕ  
СФЕРИЧЕСКИЕ ДВУХРЯДНЫЕ  
НА ЗАКРЕПИТЕЛЬНОЙ ВТУЛКЕ**



**ТИП 11000**

Размеры, мм Dimensions, mm							Условное обозначение подшипника Bearing designation
d1	D	B	d0	C	L	r min	
85,000	170,000	32,000	125,00	18,800	55,000	2,1	11217ЛК
70,000	170,000	39,000	105,00	16,800	59,000	2,1	11314К
90,000	180,000	34,000	130,00	19,800	58,000	2,1	11218ЛК
80,000	190,000	43,000	120,00	17,800	65,000	3,0	11316К
100,000	200,000	38,000	145,00	20,800	63,000	2,1	11220К
90,000	215,000	47,000	130,00	19,800	71,000	3,0	11318К
95,000	225,000	49,000	140,00	19,800	74,000	3,0	11319ЛК
100,000	240,000	50,000	145,00	20,800	77,000	3,0	11320ЛК



**DOUBLE-ROW SELF-ALIGNING BALL BEARINGS  
WITH ADAPTER SLEEVE**

**SERIES 11000**

Грузоподъемность, Н Basic load ratings, N		Предельное число оборотов, об/мин Limiting speeds, n/min		Масса, кг Mass, kg	Условное обозначение подшипника Bearing designation		Завод-изготовитель Manufacturer
динамич. dynamic	статич. static	при смазке lubrication			ЕПК EBC	Международное International	
C	Co	пласт. grease	жидк. oil	m			
49000	28000	3600	4300	4,510	11217ЛК	1219KM + H219	ППЗ-1
88400	33800	3600	4300	5,330	11314К	1316К + H316	ППЗ-1
68900	31000	3400	4000	5,240	11218ЛК	1220KM + H220	ППЗ-1
117000	43900	3200	3800	6,980	11316К	1318К + H318	ППЗ-1
88400	39800	3000	3600	7,040	11220К	1222К + H222	ППЗ-1
143000	57400	2800	3400	10,000	11318К	1320К + H320	ППЗ-1
157000	64900	2000	2600	12,300	11319ЛК	1321К + H321	ППЗ-1
163000	71400	2400	3000	14,200	11320ЛК	1322KM + H322	ППЗ-1



## Подшипники шариковые радиально-упорные

Подшипники предназначены для восприятия комбинированных нагрузок (радиальных и осевых). Могут воспринимать чисто осевую нагрузку. Осевая грузоподъемность их зависит от угла контакта.

При этом подшипники типов 36000, 46000, 66000 способны воспринимать осевую нагрузку только в одном направлении. Радиально-упорные шарикоподшипники с трех- и четырехточечным контактом могут воспринимать осевые нагрузки в обоих направлениях.

Преимущественно применяются при средних и высоких числах оборотов.

Подшипники выполняются со стандартными углами контакта шариков с жёзлами колец  $\alpha=12^\circ$  (тип 36000),  $\alpha=26^\circ$  (тип 46000) и  $\alpha=36^\circ$  (тип 66000).

Подшипники типа 36000K6 имеют угол контакта  $\alpha=15^\circ$  и их также относят к скоростным подшипникам одностороннего осевого действия.

Радиально-упорные шарикоподшипники, могущие воспринимать только одну сторону осевые нагрузки, требуют установки еще одного подшипника, фиксирующего вал в обратном направлении.

Часто решение достигается посредством установки специально подобранных пар подшипников, которые имеют отрегулированный одинаковый зазор или натяг.

Они могут комплектоваться по различным схемам: «О», «Х», «Т».

При комплектовании подшипников по схеме «О» (тип 266000) опора имеет повышенную жесткость. Ее можно применить в «плавающих» опорах без фиксации наружных колец в осевом направлении.

При комплектовании подшипников по схеме «Х» (тип 346000, 366000) допускается радиальная нагрузка для пары больше, чем для соответствующего однорядного в 1,8 раза, осевая в обе стороны такая же, как и у однорядного.

Схема комплектования «Т» (тип 43600, 446000, 466000, 576000) является схемой одностороннего осевого действия. Ее применяют в узлах со значительными осевыми усилиями и высокой частотой вращения, когда нельзя использовать упорные подшипники.

Модификации комплектных подшипников могут содержать три, четыре и более однорядных подшипников.

Двухстороннее восприятие осевой нагрузки можно обеспечить и другими конструктивными исполнениями.

Неразъемный двухрядный радиально-упорный подшипник типа 56000 имеет в кольцах с одной стороны канавку для ввода шариков. Может воспринимать момент в осевой плоскости и двухсторонние осевые нагрузки.

У подшипников с разъемными наружным или внутренним кольцами типа 126000 профили дорожек качения образованы радиусами из разных центров,



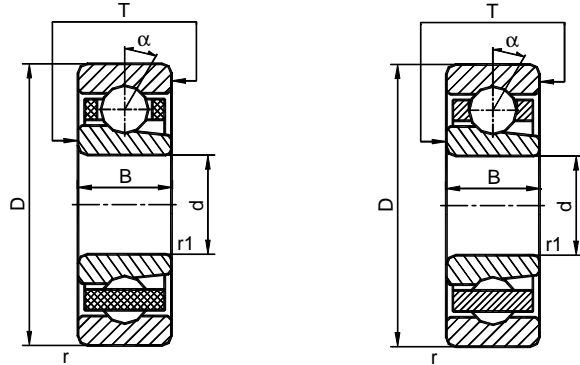
вследствие чего в подшипниках образуется четырехточечный контакт. Применяются в узлах, где не требуется высокая жесткость опоры. Разъемное кольцо позволяет разместить в подшипнике большее число шариков и тем самым обеспечить высокую грузоподъемность. Оптимальным условием эксплуатации таких подшипников является превалирование осевой нагрузки над радиальной.

Сепараторы в радиально-упорных шарикоподшипниках применяются из цветных металлов, текстолита, пластмасс и штампованные из стальной ленты.

При применении сепараторов, изготовленных из текстолита или стеклонанопленочного полиамида, необходимо учитывать температурные границы этих материалов. При этом нужно внимательно относиться к присадкам, добавляемым в масло, которые могут сократить срок службы полиамидного сепаратора при длительной работе подшипника при температуре выше  $100^\circ\text{C}$ . При такой температуре отрицательно влияет и старение масла, что следует учитывать при назначении сроков его замены.



**ПОДШИПНИКИ ШАРИКОВЫЕ РАДИАЛЬНО-УПОРНЫЕ  
ОДНОРЯДНЫЕ**



**ТИП 36000, 66000**

Размеры, мм Dimensions, mm						a град.	Условное обозначение подшипника Bearing designation
d1	D	B	T	r min	r1 min		
17,000	35,000	10,000	10,000	0,30	0,15	12	36103K7
30,000	62,000	16,000	16,000	1,00	0,60	18	36206E1
30,000	62,000	16,000	16,000	1,00	0,60	18	36206E4
40,000	80,000	18,000	18,000	1,10	0,60	15	36208E2
130,000	280,000	58,000	58,000	4,00	1,50	36	66326L1
200,000	310,000	51,000	51,000	2,10	1,10	36	66140L1
220,000	340,000	56,000	56,000	3,00	3,00	36	66144KL2
240,000	360,000	56,000	56,000	3,00	3,00	36	66148KL1
260,000	400,000	65,000	65,000	4,00	4,00	36	66152KL1
280,000	500,000	80,000	80,000	5,00	2,00	36	66256L2



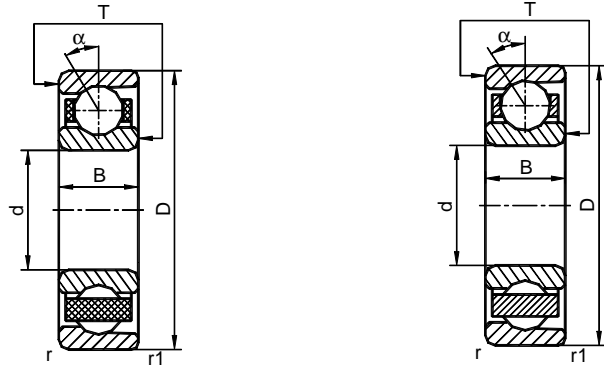
**SINGLE-ROW ANGULAR-CONTACT BALL BEARINGS**

**SERIES 36000, 66000**

Грузоподъемность, Н Basic load ratings, N		Предельное число оборотов, об/мин Limiting speeds, n/min		Масса, кг Mass, kg	Условное обозначение подшипника Bearing designation		Завод-изготовитель Manufacturer
динамич. dynamic C	статич. static Co	при смазке lubrication			ЕПК EBC	Международное International	
		пласт. grease	жидк. oil				
6700	3300	28000	36000	0,040	36103K7	A7003C.TPA	ГПЗ-1
23800	15600	11000	16000	1,860	36206E1	7206C.T	ГПЗ-1
23800	15600	11000	16000	1,860	36206E4	7206C.TPA	ГПЗ-1
38800	32000	11000	14000	0,369	36208E2	7208C.T	ГПЗ-1
270000	332000	2000	2500	18,200	66326L1	7326B.MA	ГПЗ-1
219000	363000	1500	2000	14,800	66140L1	7040B.MA	ГПЗ-1
262000	442000	1400	1750	18,700	66144KL2	A7044B.MA	ГПЗ-1
256000	457000	1250	1600	20,300	66148KL1	7048B.MA	ГПЗ-1
314000	578000	1200	1500	30,300	66152KL1	7052B.MA	ГПЗ-1
504000	862000	1000	1250	67,600	66256L2	7256B.MA	ГПЗ-1



**ПОДШИПНИКИ ШАРИКОВЫЕ РАДИАЛЬНО-УПОРНЫЕ  
ОДНОРЯДНЫЕ**



ТИП 36000, 46000, 66000, 146000, 1036000, 1046000, 1066000, 2046000, 7036000

Размеры, мм Dimensions, mm						α град.	Условное обозначение подшипника Bearing designation
d1	D	B	T	r min	r1 min		
25,000	52,000	15,000	15,000	1,0	0,6	15	36205K6
50,000	90,000	20,000	20,000	1,1	0,6	12	36210E
50,000	130,000	31,000	31,000	2,1	1,1	36	66410E
60,000	110,000	22,000	22,000	1,5	1,0	12	36212E
60,000	150,000	35,000	35,000	2,1	1,1	36	66412E
60,000	150,000	35,000	35,000	2,1	1,1	36	66412Л
65,000	120,000	23,000	23,000	1,5	1,0	12	36213E
65,000	140,000	33,000	33,000	2,1	1,1	26	46313Л
70,000	180,000	42,000	42,000	3,0	1,1	36	66414Л
75,000	130,000	25,000	25,000	1,5	1,0	12	36215E
80,000	200,000	48,000	48,000	3,0	1,1	26	46416Л
90,000	225,000	54,000	54,000	4,0	1,5	26	46418Л
90,000	225,000	54,000	54,000	4,0	1,5	36	66418Л
100,000	215,000	47,000	47,000	3,0	1,1	26	46320Л
110,000	240,000	50,000	50,000	3,0	1,1	26	46322Л
110,000	240,000	50,000	50,000	3,0	1,1	36	66322E
110,000	240,000	50,000	50,000	3,0	1,1	36	66322Л
120,000	260,000	55,000	55,000	3,0	1,1	26	46324Л
150,000	320,000	65,000	65,000	4,0	1,5	26	46330Л
150,000	320,000	65,000	65,000	4,0	1,5	36	66330Л
160,000	400,000	88,000	88,000	5,0	2,3	40	66432Л
170,000	310,000	52,000	52,000	4,0	1,5	12	36234Л
170,000	310,000	52,000	52,000	4,0	1,5	26	46234Л

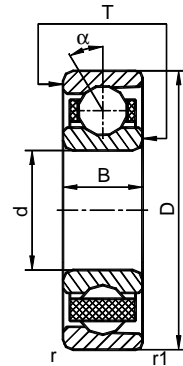


**SINGLE-ROW ANGULAR-CONTACT BALL BEARINGS**

SERIES 36000, 46000, 66000, 146000, 1036000, 1046000, 1066000, 2046000, 7036000

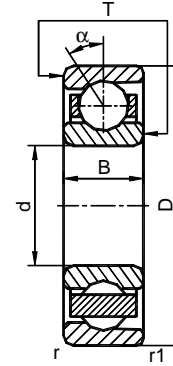
Грузоподъемность, Н Basic load ratings, N		Предельное число оборотов, об/мин Limiting speeds, n/min		Масса, кг Mass, kg	Условное обозначение подшипника Bearing designation		Завод-изготовитель Manufacturer
динамич. dynamic	статич. static	при смазке lubrication			ЕПК EBC	Международное International	
C	Co	пласт. grease	жидк. oil	m			
16700	11000	13000	20000	0,123	36205K6	7205C.TN	ГПЗ-1
43000	39000	8700	11200	0,446	36210E	7210C.T	ГПЗ-1
99000	65000	2800	3400	1,990	66410E	7410B.TN	ГПЗ-1
62000	57000	7500	9400	0,780	36212E	7212C.T	ГПЗ-1
125000	90000	2200	2800	2,990	66412E	7412B.TN	ГПЗ-1
125000	90000	2200	2800	3,500	66412Л	7412B.MB	ГПЗ-1
71000	67000	6500	7900	1,000	36213E	7213C.T	ГПЗ-1
113000	83000	4000	5000	2,650	46313Л	7313AC.MB	ГПЗ-1
152000	125000	1400	1900	5,630	66414Л	7414B.MB	ГПЗ-1
84300	72000	5000	6300	1,170	36215E	7215C.T	ГПЗ-1
197000	150000	2600	3400	8,000	46416Л	7416AC.MB	ГПЗ-1
221000	202000	2800	3700	12,000	46418Л	7418AC.MB	ГПЗ-1
208000	188000	1200	1600	11,400	66418Л	7418B.MB	ГПЗ-1
213000	197000	2400	3400	7,820	46320Л	7320AC.MB	ГПЗ-1
225000	224000	2200	3200	10,900	46322Л	7322AC.MB	ГПЗ-1
225000	218000	2000	3000	9,830	66322E	7322B.TN	ГПЗ-1
225000	218000	2000	3000	11,200	66322Л	7322B.MB	ГПЗ-1
238000	250000	1900	2800	14,600	46324Л	7324AC.MB	ГПЗ-1
357000	410000	1600	2200	26,500	46330Л	7330AC.MB	ГПЗ-1
313000	356000	1600	2200	26,600	66330Л	7330B.MB	ГПЗ-1
383000	492000	1300	1900	59,800	66432Л	7432B.MB	ГПЗ-1
260000	320000	2000	2800	18,100	36234Л	7234AC.MB	ГПЗ-1
221000	270000	1700	2200	18,100	46234Л	7234AC.MB	ГПЗ-1

Возможные неточности и опечатки не могут являться основанием для юридических претензий  
No liability can be accepted for any errors and omissions



ТИП 36000, 46000, 66000, 146000, 1036000, 1046000, 1066000, 2046000, 7036000

Размеры, мм Dimensions, mm						α град.	Условное обозначение подшипника Bearing designation
d1	D	B	T	r min	r1 min		
220,000	340,000	56,000	56,000	3,0	3,0	36	66144КЛЗ
320,000	400,000	25,000	25,000	1,5	1,0	12	7036864Л
360,000	540,000	82,000	82,000	5,0	2,0	26	146172Г
380,000	520,000	82,000	82,000	4,0	1,5	26	2046976Л
420,000	520,000	46,000	46,000	2,1	1,1	12	1036884Л
460,000	600,000	50,000	50,000	4,0	1,5	26	46792Л
500,000	620,000	56,000	56,000	3,0	1,1	36	10668/500Л
530,000	710,000	82,000	82,000	5,0	2,0	26	10469/530Л
600,000	730,000	60,000	60,000	3,0	1,1	26	10468/600
600,000	730,000	60,000	60,000	3,0	1,1	26	10468/600Л
630,000	850,000	100,000	100,000	6,0	3,0	40	10669/630Л
670,000	820,000	69,000	69,000	4,0	1,5	26	10468/670Г
1060,000	1280,000	100,000	100,000	6,0	3,0	26	10468/1060
1250,000	1500,000	112,000	112,000	6,0	3,0	26	10468/1250

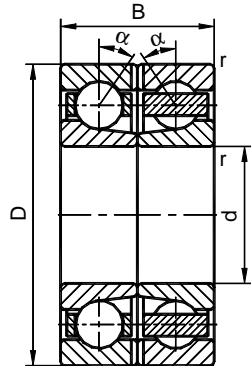


SERIES 36000, 46000, 66000, 146000, 1036000, 1046000, 1066000, 2046000, 7036000

Грузоподъемность Н Basic load ratings, N		Предельное число оборотов, об/мин Limiting speeds, n/min		Масса, кг Mass, kg	Условное обозначение подшипника Bearing designation		Завод-изготовитель Manufacturer
динамич. dynamic	статич. static	при смазке lubrication			EPC EBC	Международное International	
C	Co	пласт. grease	жидк. oil	m			
262000	442000	1400	1750	17,900	66144КЛЗ	7044В.М	ПТЗ-1
135000	225000	1100	1500	7,960	7036864Л		ПТЗ-1
530000	910000	900	1200	64,300	146172Г		ПТЗ-1
497000	725000	900	1200	48,100	2046976Л		ПТЗ-1
319000	438000	850	1200	21,200	1036884Л	71884С.МВ	ПТЗ-1
380000	520000	750	1000	37,800	46792Л		ПТЗ-1
324000	485000	500	700	37,900	10668/500Л		ПТЗ-1
572000	941000	650	900	90,000	10469/530Л	719/530МВ	ПТЗ-1
447000	770000	600	800	50,180	10468/600	718/600FB	ПТЗ-1
447000	770000	600	800	50,160	10468/600Л	718/600МВ	ПТЗ-1
665000	1580000	400	550	161,000	10669/630Л	719/630В.МВ	ПТЗ-1
534000	1260000	500	700	75,200	10468/670Г	718/670FB	ПТЗ-1
893000	2730000	340	470	246,000	10468/1060	718/1060FB	ПТЗ-1
1135000	3770000	290	400	387,000	10468/1250	718/1250FB	ПТЗ-1



**ПОДШИПНИКИ ШАРИКОВЫЕ РАДИАЛЬНО-УПОРНЫЕ  
СДВОЕННЫЕ**



**ТИП 266000**

Размеры, мм Dimensions, mm				a град.	Условное обозначение подшипника Bearing designation
d	D	B	r min		
170,000	260,000	84,000	2,5	36	266134Л2
170,000	260,000	84,000	2,5	40	266134Л2У
200,000	310,000	102,000	2,5	36	266140Л2
220,000	340,000	112,000	3,0	36	266144КЛ3
220,000	340,000	112,000	3,0	36	266144КЛ2
240,000	360,000	112,000	3,0	36	266148КЛ1
260,000	400,000	130,000	4,0	36	266152КЛ1



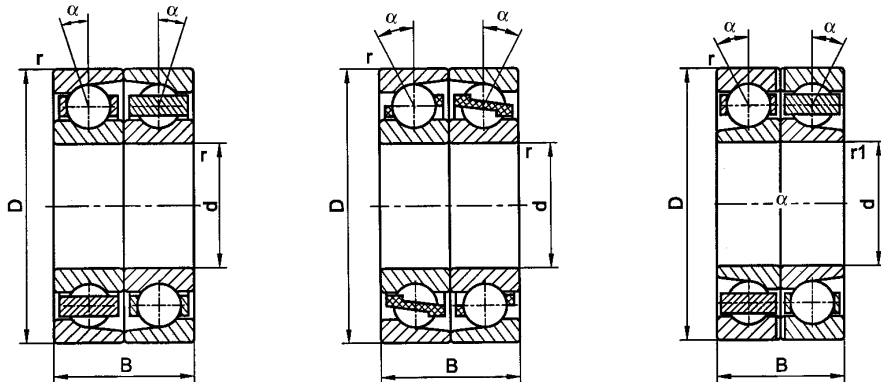
**DUPLEX ANGULAR-CONTACT BALL BEARINGS**

**SERIES 266000**

Грузоподъемность, Н Basic load ratings, N		Предельное число оборотов, об/мин Limiting speeds, n/min		Масса, кг Mass, kg	Условное обозначение подшипника Bearing designation		Завод-изготовитель Manufacturer
динамич. dynamic	статич. static	при смазке lubrication			ЕПК ЕВС	Международное International	
C	Co	пласт. grease	жидк. oil	m			
276000	406000	1600	2000	16,460	266134Л2	7334В.М/DB	ГПЗ-1
276000	406000	1600	2000	16,460	266134Л2У	7034В.М/DB	ГПЗ-1
355000	590000	1300	1600	29,600	266140Л2	7040В.М/DB	ГПЗ-1
426000	718000	1100	1400	35,800	266144КЛ3	7044В.М/DB	ГПЗ-1
426000	718000	1100	1400	37,400	266144КЛ2	7044В.МА/DB	ГПЗ-1
432000	743000	1000	1300	40,700	266148КЛ1	7048В.МА/DB	ГПЗ-1
510000	940000	950	1200	60,600	266152КЛ1	7052В.МА/DB	ГПЗ-1



**ПОДШИПНИКИ ШАРИКОВЫЕ РАДИАЛЬНО-УПОРНЫЕ  
СДВОЕННЫЕ**



ТИП 346000, 366000

Размеры, мм Dimensions, mm					Условное обозначение подшипника Bearing designation
d	D	B	r min	r1 min	
60,000	150,000	70,000	2,1		366412E
65,000	140,000	66,000	2,1		346313Л
100,000	215,000	94,000	3,0		346320Л
110,000	240,000	100,000	3,0	1,1	366322Л1*
130,000	280,000	108,000	4,0	1,5	366326Л1*
150,000	320,000	130,000	4,0		346330Л
170,000	310,000	104,000	4,0		346234Л
280,000	500,000	160,000	5,0	2,0	366256Л2*

\* со скосом на внутреннем кольце  
\* with a corner on an internal ring



**DUPLEX ANGULAR-CONTACT BALL BEARINGS**

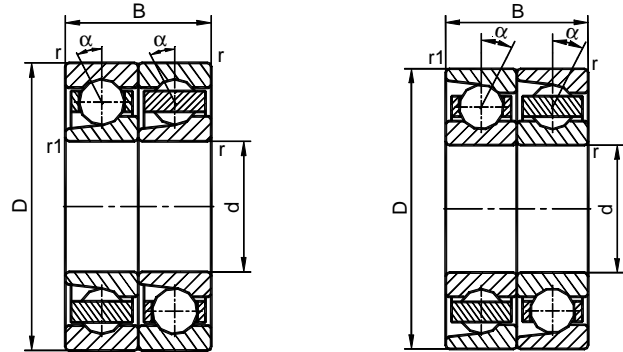
SERIES 346000, 366000

Грузоподъемность, Н Basic load ratings, N		Предельное число оборотов, об/мин Limiting speeds, n/min		Масса, кг Mass, kg	Условное обозначение подшипника Bearing designation		Завод-изготовитель Manufacturer
динамич. dynamic	статич. static	при смазке lubrication			ЕПК EBC	Международное International	
C	Co	пласт. grease	жидк. oil	m			
209000	180000	2600	3200	5,900	366412E	7412B.T/DF	ГПЗ-1
183000	166000	3800	5300	4,980	346313Л	7313AC.MB/DF	ГПЗ-1
344000	394000	2600	3200	15,600	346320Л	7320AC.MB/DF	ГПЗ-1
364000	437000	2000	2500	24,100	366322Л1*	7322B.MB/DF	ГПЗ-1
438000	540000	1600	2000	36,400	366326Л1*	7326B.MA/DF	ГПЗ-1
510000	712000	1300	1700	53,000	346330Л	7330AC.MB/DF	ГПЗ-1
358000	540000	1200	1700	37,600	346234Л	7234AC.MB/DF	ГПЗ-1
820000	1400000	800	1000	135,000	366256Л2*	7256B.MA/DF	ГПЗ-1

Возможные неточности и опечатки не могут являться основанием для юридических претензий  
No liability can be accepted for any errors and omissions



**ПОДШИПНИКИ ШАРИКОВЫЕ РАДИАЛЬНО-УПОРНЫЕ  
СДВОЕННЫЕ**



ТИП 436000, 446000, 466000, 576000

Размеры, мм Dimensions, mm					a град.	Условное обозначение подшипника Bearing designation
d	D	B	r min	r1 min		
25,000	52,000	30,000	1,0	0,6	15	436205K6
30,000	62,000	32,000	1,0	0,6	12	436206E1*
30,000	62,000	32,000	1,0	0,6	12	436206E4*
40,000	80,000	36,000	1,1	0,6	15	436208E2*
50,000	90,000	40,000	1,1	0,6	12	436210E
60,000	110,000	44,000	1,5	1,0	12	436212E
60,000	150,000	70,000	2,1	1,1	36	466412E
65,000	120,000	46,000	1,5	1,0	12	436213E
75,000	130,000	50,000	1,5	1,0	12	436215E
110,000	240,000	100,000	3,0	1,1	36	466322Л1
110,000	240,000	100,000	3,0	1,1	36	576322Л*
150,000	320,000	130,000	4,0	1,5	26	446330Л
150,000	320,000	130,000	4,0	1,5	36	466330Л
160,000	400,000	176,000	5,0	2,3	36	466432Л1
200,000	310,000	102,000	2,1	1,1	36	466140Л2*

\* со скосом на внутреннем кольце  
\* with a corner on an internal ring



**DUPLEX ANGULAR-CONTACT BALL BEARINGS**

SERIES 436000, 446000, 466000, 576000

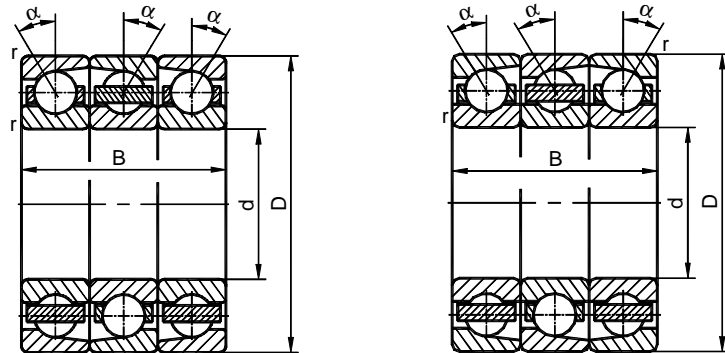
Грузоподъемность, Н Basic load ratings, N		Предельное число оборотов, об/мин Limiting speeds, n/min		Масса, кг Mass, kg	Условное обозначение подшипника Bearing designation		Завод-изготовитель Manufacturer
динамич. dynamic	статич. static	при смазке lubrication			ЕПК EBC	Международное International	
C	Co	пласт. grease	жидк. oil	m			
27200	18100	11000	16000	0,256	436205K6	7205C.TPA/DT	ГПЗ-1
38000	28000	12800	17600	0,392	436206E1*	7206C.T/DT	ГПЗ-1
38000	28000	10000	13000	0,372	436206E4*	7206C.TPA/DT	ГПЗ-1
63000	52000	9000	11000	0,740	436208E2*	7206C.T/DT	ГПЗ-1
70000	63500	7000	9000	0,893	436210E	7210C.T/DT	ГПЗ-1
100000	92500	6000	7500	1,530	436212E	7212C.T/DT	ГПЗ-1
209000	180000	2600	3200	5,900	466412E	7412B.TN/DT	ГПЗ-1
115000	109500	5000	6300	2,000	436213E	7213C.T/DT	ГПЗ-1
137000	117000	4000	5000	2,340	436215E	7215C.T/DT	ГПЗ-1
364000	437000	1700	2400	22,300	466322Л1	7322B.M/DT	ГПЗ-1
360000	460000	1700	2400	24,200	576322Л*	7322B.MB/DT	ГПЗ-1
550000	800000	1200	1700	53,000	446330Л	7330AC.MB/DT	ГПЗ-1
510000	712000	1200	1700	53,200	466330Л	7330B.M/DT	ГПЗ-1
621000	907000	1040	1500	123,800	466432Л1	7432B.MB/DT	ГПЗ-1
355600	590000	1200	1600	29,600	466140Л2*	7040B.M/DT	ГПЗ-1

Возможные неточности и опечатки не могут являться основанием для юридических претензий  
No liability can be accepted for any errors and omissions





**ПОДШИПНИКИ ШАРИКОВЫЕ РАДИАЛЬНО-УПОРНЫЕ.  
КОМПЛЕКТ ИЗ ТРЕХ ОДНОРЯДНЫХ ПОДШИПНИКОВ**



**ТИП 366000, 466000**

Размеры, мм Dimensions, mm				a град.	Условное обозначение подшипника Bearing designation
d	D	B	r min		
60,000	150,000	105,000	2,1	36	466412ЛУ21
90,000	225,000	162,000	4,0	36	366418ЛУ12
110,000	240,000	150,000	3,0	36	466322ЛУ21
160,000	400,000	264,000	5,0	40	366432Л2У12

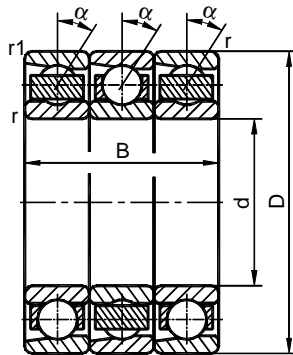


**ANGULAR-CONTACT BALL BEARINGS.  
THE SET OF THREE SINGLE-ROW BEARINGS**

**SERIES 366000, 466000**

Грузоподъемность, Н Basic load ratings, N		Предельное число оборотов, об/мин Limiting speeds, n/min		Масса, кг Mass, kg	Условное обозначение подшипника Bearing designation		Завод-изготовитель Manufacturer
динамич. dynamic	статич. static	при смазке lubrication			EПК EBC	Международное International	
C	Co	пласт. grease	жидк. oil	m			
270000	270000	2000	2600	10,120	466412ЛУ21	7412B.MB/TFT	ГПЗ-1
450000	564000	2000	3000	31,500	366418ЛУ12	7418B.MB/TFT	ГПЗ-1
438000	540000	1800	2700	33,500	466322ЛУ21	7322B.MB/TFT	ГПЗ-1
825000	1475000	1300	1600	186,000	366432Л2У12	7432B.M/TFT	ГПЗ-1

### ПОДШИПНИКИ ШАРИКОВЫЕ РАДИАЛЬНО-УПОРНЫЕ. КОМПЛЕКТ ИЗ ТРЕХ ОДНОРЯДНЫХ ПОДШИПНИКОВ


**ТИП 46600УЗ**

Размеры, мм Dimensions, mm					<b>a</b> град.	Условное обозначение подшипника Bearing designation
d	D	B	r min	r1 min		
110,000	240,000	150,000	4,0	1,1	36	466322Л1УЗ
160,000	400,000	264,000	5,0	2,3	40	466432Л2УЗ

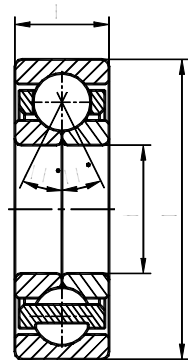
### ANGULAR-CONTACT BALL BEARINGS. THE SET OF THREE SINGLE-ROW BEARINGS

**SERIES 46600УЗ**

Грузоподъемность, Н Basic load ratings, N		Предельное число оборотов, об/мин Limiting speeds, n/min		Масса, кг Mass, kg	Условное обозначение подшипника Bearing designation		Завод-изготовитель Manufacturer
динамич. dynamic	статич. static	при смазке lubrication			EBC	Международное International	
C	Co	пласт. grease	жидк. oil	m			
438000	540000	1800	2700	33,600	466322Л1УЗ	7322В.МВ/ТТ	ГПЗ-1
825000	1470000	750	1100	180,000	466432Л2УЗ	7432В.МВ/ТТ	ГПЗ-1



**ПОДШИПНИКИ ШАРИКОВЫЕ РАДИАЛЬНО-УПОРНЫЕ  
ОДНОРЯДНЫЕ С РАЗЪЕМНЫМ ВНУТРЕННИМ КОЛЬЦОМ**



**ТИП 126000**

Размеры, мм Dimensions, mm				Условное обозначение подшипника Bearing designation
d	D	B	r min	
25,000	62,000	17,000	1,1	126305P
35,000	72,000	17,000	1,1	126207P
45,000	85,000	19,000	1,1	126209Ю
50,000	90,000	20,000	1,1	126210P1
55,000	100,000	21,000	1,5	126211P1



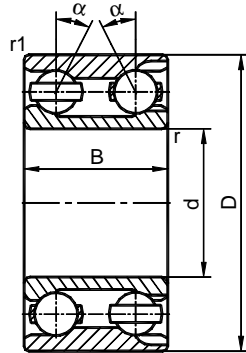
**SINGLE-ROW ANGULAR-CONTACT BALL BEARINGS  
WITH TWO-PIECE INNER RING**

**SERIES 126000**

Грузоподъемность, Н Basic load ratings, N		Предельное число оборотов, об/мин Limiting speeds, n/min		Масса, кг Mass, kg	Условное обозначение подшипника Bearing designation	Завод-изготовитель Manufacturer
динамич. dynamic	статич. static	при смазке lubrication				
C	Co	пласт. grease	жидк. oil	m	<b>ЕПК</b> <b>EBC</b> Международное International	
25000	14000	13000	16000	0,287	126305P	ГПЗ-1
29000	19000	12000	15000	0,373	126207P	ГПЗ-1
34600	23000	9500	12000	0,449	126209Ю	ГПЗ-1
40500	30000	8500	11000	0,620	126210P1	ГПЗ-1
50000	38000	8000	10000	0,805	126211P1	ГПЗ-1



**ПОДШИПНИКИ ШАРИКОВЫЕ РАДИАЛЬНО-УПОРНЫЕ  
ДВУХРЯДНЫЕ**



**ТИП 56000, 256000, 3056000**

Размеры, мм Dimensions, mm					a град.	Условное обозначение подшипника Bearing designation
d	D	B	r min	r1 min		
10,000	30,000	14,000	0,3	0,3	26	256500
10,000	30,000	14,000	0,3	0,3	26	256500K
25,000	57,000	23,800	1,1	1,0	35	56705У
25,000	62,000	25,400	1,1	1,1	26	3056305
35,000	72,000	27,000	1,1	1,1	26	3056207Б
35,000	72,000	27,000	1,1	1,1	26	3056207К
35,000	72,000	27,000	1,1	1,1	26	3056207Л
45,000	85,000	30,200	1,1	0,6	26	3056209Л
55,000	100,000	33,300	1,5	1,0	26	3056211Л
70,000	125,000	39,700	1,5	1,0	26	3056214Л
75,000	130,000	41,300	1,5	1,5	32	3056215Л
80,000	140,000	44,400	2,0	2,0	26	3056216



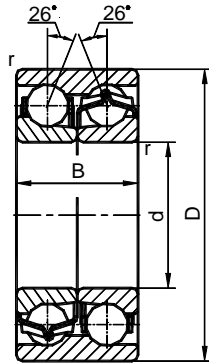
**DOUBLE-ROW ANGULAR-CONTACT BALL BEARINGS**

**SERIES 56000, 256000, 3056000**

Грузоподъемность, Н Basic load ratings, N		Предельное число оборотов, об/мин Limiting speeds, n/min		Масса, кг Mass, kg	Условное обозначение подшипника Bearing designation		Завод-изготовитель Manufacturer
динамич. dynamic C	статич. static Co	при смазке lubrication			ЕПК ЕВС	Международное International	
		пласт. grease	жидк. oil				
7500	4500	16000	22000	0,054	256500		ГПЗ-1
10000	6800	16000	22000	0,050	256500K	3200J	ГПЗ-1
30000	23000	8000	10000	0,281	56705У		ГПЗ-1
31000	21000	7500	10000	0,378	3056305	3305J	ГПЗ-1
35000	25000	6300	8000	0,520	3056207Б	3207MA	ГПЗ-1
35000	25000	6300	8000	0,445	3056207К	3207J	ГПЗ-1
35000	25000	6300	8000	0,525	3056207Л	3207MA	ГПЗ-1
54000	38000	5000	6700	0,716	3056209Л	3209MA	ГПЗ-1
72000	67000	4300	5600	1,140	3056211Л	3211MA	ГПЗ-1
80000	98000	3200	4300	1,850	3056214Л	3214MA	ГПЗ-1
97000	110000	3200	4300	2,100	3056215Л	3215MA	ГПЗ-1
110000	134000	2800	3800	2,730	3056216	3216J	ГПЗ-1



**ПОДШИПНИКИ ШАРИКОВЫЕ РАДИАЛЬНО-УПОРНЫЕ  
ДВУХРЯДНЫЕ С ДВУМЯ ВНУТРЕННИМИ КОЛЬЦАМИ**



**ТИП 3086000**

Размеры, мм Dimensions, mm				Условное обозначение подшипника Bearing designation
d	D	B	r min	
65,000	140,000	58,700	2,1	3086313



**DOUBLE-ROW ANGULAR-CONTACT BALL BEARINGS  
WITH TWO INNER RINGS**

SIZES						SERIES 3086000	
Грузоподъемность, Н Basic load ratings, N		Предельное число оборотов, об/мин Limiting speeds, n/min		Масса, кг Mass, kg	Условное обозначение подшипника Bearing designation		Завод-изготовитель Manufacturer
динамич. dynamic	статич. static	при смазке lubrication			EPC EBC	Международное International	
C	Co	пласт. grease	жидк. oil	m			
140000	135000	5000	6300	4,060	3086313	3313DAJ	ГПЗ-1



## CYLINDRICAL ROLLER BEARINGS

Cylindrical roller bearings are intended for accommodation of high radial load and only some of them can accommodate simultaneously short light axial loads. These bearings are as good as radial single-row ball bearings at high speed ratings. They demand fine alignment of fitting surfaces.

The bearings with cylindrical rollers can be different designs depending on the type and location of flanges on outer and inner rings.

These bearings are produced with short cylindrical rollers (2000 series) and long rollers (4000 series) with pressed form-stable plastic cages or cageless, single-row, double-row or multi-row. Pressed cages are made of low-carbon steel, form-stable - brass or aluminum alloys, plastic – polyamide.

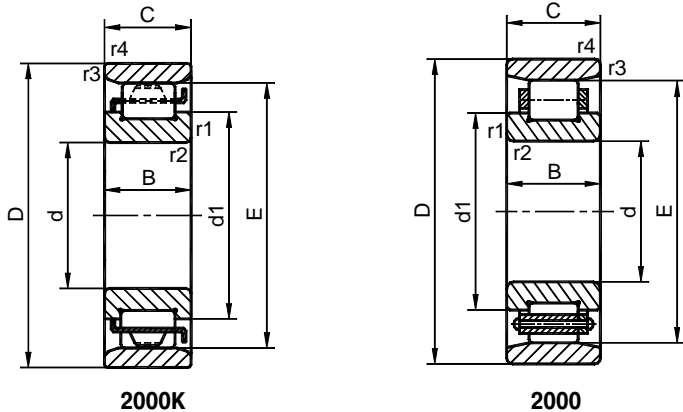
Rollers with scopes and rollers having convex surface profile are applied for reduction of edge stresses.

Cageless bearings of 102000, 612000, 614000, 3222000 types have the maximum load carrying capacity because of complete filling with rollers.

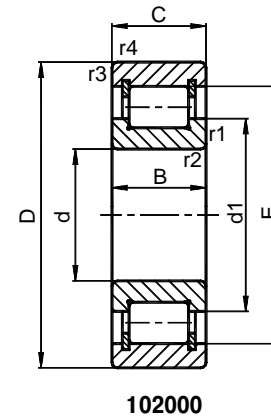
Cylindrical roller bearings are produced with tolerance classes 0, 6 and 5 and are applied in units and mechanisms for general engineering, automotive industry and metallurgy.



**ПОДШИПНИКИ РОЛИКОВЫЕ РАДИАЛЬНЫЕ С КОРОТКИМИ ЦИЛИНДРИЧЕСКИМИ РОЛИКАМИ БЕЗ БОРТОВ НА НАРУЖНОМ КОЛЬЦЕ**



**CYLINDRICAL ROLLER BEARINGS WITH FLAGELESS OUTER RING**



Воспринимают только радиальную нагрузку. В процессе монтажа и эксплуатации подшипники серии 2000 допускают двустороннее осевое перемещение внутреннего кольца относительно наружного и применяются в «плавающей» опоре. Подшипники серии 102000 – бесшариковые, неразборные. Неразъемность конструкции обеспечивается запрорными шайбами, установленными в канавки на дорожке качения наружного кольца.

These bearings can accommodate only radial load. 2000 series bearings permit double direction axial displacement of the inner ring relatively to the outer ring in mounting and operation. They are applied in «floating» supports. 102000 series bearings are cageless, non-separable. The non-separability of this design is provided by locking washers installed in grooves on the outer ring's raceway.

ТИП 2000, 102000, 2002000, 7002000

Размеры, мм Dimensions, mm							Условное обозначение подшипника Bearing designation	
d	D	B	C	E	d1	r1,2 min	r3,4 min	
25,000	62,000	24,000	24,000	53,000	39,000	1,1	1,1	<b>102605M</b>
35,000	100,000	25,000	25,000	83,000	59,000	1,5	1,5	<b>102407M</b>
60,000	140,000	51,000	51,000	122,000	86,000	2,5	2,5	<b>102712KM</b>
60,000	140,000	51,000	51,000	122,000	86,000	2,5	2,5	<b>2712KM</b>
65,000	120,000	23,000	23,000	105,600	84,800	1,8	1,8	<b>2213KM</b>
65,000	160,000	37,000	37,000	135,300	98,500	2,1	2,1	<b>2413M</b>
70,000	150,000	51,000	51,000	130,000	97,800	2,5	2,5	<b>2614KMУ</b>
75,000	160,000	37,000	37,000	139,500	105,400	2,5	2,5	<b>2315KMШ</b>
80,000	200,000	48,000	48,000	170,000	120,500	3,0	3,0	<b>102416M</b>
110,000	240,000	50,000	50,000	211,000	155,900	3,0	3,0	<b>2322M</b>
120,000	260,000	55,000	55,000	226,000	170,500	3,0	3,0	<b>2324M</b>
130,000	280,000	93,000	93,000	243,000	182,300	4,0	4,0	<b>2626M</b>
160,000	240,000	38,000	38,000	220,000	189,300	2,1	1,5	<b>2132M</b>
160,000	290,000	48,000	48,000	258,000	208,800	3,0	3,0	<b>2232M</b>
200,000	310,000	34,000	34,000	277,000	243,000	2,0	2,0	<b>7002140M</b>
240,000	360,000	37,000	37,000	325,000	286,000	2,1	2,1	<b>7002148M</b>
360,000	440,000	48,000	48,000	420,000	389,000	2,1	2,1	<b>2002872M</b>

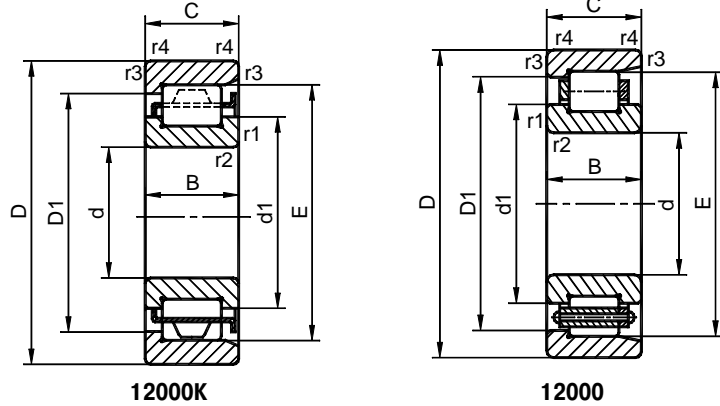
SERIES 2000, 102000, 2002000, 7002000

Грузоподъемность, Н Basic load ratings, N		Предельное число оборотов, об/мин Limiting speeds, n/min		Масса, кг Mass, kg	Условное обозначение подшипника Bearing designation		Завод-изготовитель Manufacturer
динамич. dynamic	статич. static	при смазке lubrication			ЕПК EBC	Международное International	
C	Co	пласт. grease	жидк. oil	m			
53600	55800	2500	3200	0,376	<b>102605M</b>		ВПЗ-15
96900	96500	1600	2000	1,090	<b>102407M</b>		ВПЗ-15
272000	315000	4000	4800	3,730	<b>102712KM</b>		ВПЗ-15
224000	242000	4000	4800	3,500	<b>2712KM</b>		ВПЗ-15
84300	95300	5300	6300	1,025	<b>2213KM</b>	N213 SKF	ВПЗ-15
195000	200000	4000	4800	4,320	<b>2413M</b>	N413M	ГПЗ-1
210000	242000	3800	4500	3,930	<b>2614KMУ</b>		ВПЗ-15
190000	205000	3800	4500	3,360	<b>2315KMШ</b>	N315 SKF	ВПЗ-15
303000	464000	670	800	7,760	<b>102416M</b>	N416V	ГПЗ-1
426000	487000	2400	3000	11,828	<b>2322M</b>	N322E.M1 FAG	ВПЗ-15
457000	558000	2200	2800	15,400	<b>2324M</b>	N324M	ГПЗ-1
935000	1250000	1800	2200	29,900	<b>2626M</b>	N2326M	ГПЗ-1
229000	332000	2400	3000	6,200	<b>2132M</b>	N1032M	ГПЗ-1
501000	706000	1800	2200	14,500	<b>2232M</b>	N232M	ГПЗ-1
284000	495000	1600	2000	10,300	<b>7002140M</b>		ГПЗ-1
380300	696000	1300	1600	14,100	<b>7002148M</b>		ГПЗ-1
450000	1124000	430	570	16,800	<b>2002872M</b>	N2872M	ГПЗ-1

Возможные неточности и опечатки не могут являться основанием для юридических претензий  
No liability can be accepted for any errors and omissions



**ПОДШИПНИКИ РОЛИКОВЫЕ РАДИАЛЬНЫЕ  
С ЦИЛИНДРИЧЕСКИМИ РОЛИКАМИ  
С ОДНОБОТОВЫМ НАРУЖНЫМ КОЛЬЦОМ**

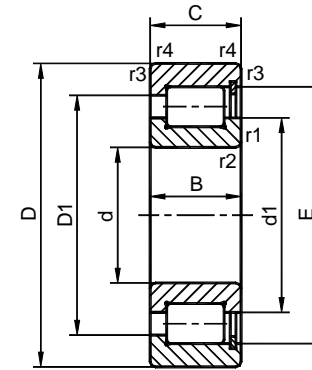


ТИП 12000, 612000, 1612000, 2612000, 3612000, 4614000

Размеры, мм Dimensions, mm							Условное обозначение подшипника Bearing designation		
d	D	B	C	E	d1	D1	r1,2 min	r3,4 min	
30,000	47,000	17,000	17,000	42,650	36,500	40,600	0,3	0,3	<b>4614906</b>
35,000	72,000	23,000	23,000	61,800	47,600	56,900	1,3	0,7	<b>12507КМУ</b>
45,000	68,000	22,000	22,000	61,300	53,600	59,000	0,6	0,6	<b>4614909</b>
45,000	100,000	25,000	25,000	86,500	64,000	81,400	1,8	1,8	<b>12309КМ</b>
65,000	120,000	23,000	23,000	105,600	84,800	100,000	1,8	1,8	<b>12213КМ</b>
70,000	110,000	30,000	30,000	100,000	81,500	95,000	1,1	1,1	<b>3612114</b>
75,000	130,000	31,000	31,000	116,000	92,000	109,500	1,5	1,5	<b>612515</b>
75,000	160,000	37,000	37,000	139,500	105,400	129,600	2,5	2,5	<b>12315КМ</b>
85,000	150,000	36,000	36,000	133,000	104,500	126,000	2,0	2,0	<b>612517</b>
100,000	215,000	47,000	47,000	185,500	140,500	176,500	3,0	3,0	<b>12320М</b>
110,000	170,000	45,000	45,000	156,000	127,500	148,500	2,0	2,0	<b>3612122</b>
130,000	230,000	64,000	64,000	204,000	167,000	195,000	3,0	3,0	<b>12526М</b>
140,000	215,000	45,000	50,000	196,500	167,000	189,000	2,1	2,1	<b>12728М</b>
170,000	230,000	36,000	36,000	218,000	191,000	210,500	2,0	2,0	<b>2612934</b>
180,000	280,000	50,000	55,000	255,000	216,600	245,500	2,1	2,1	<b>12736М</b>
220,000	270,000	24,000	24,000	258,000	237,500	251,500	1,5	1,5	<b>1612844</b>
230,000	350,000	65,000	70,000	316,000	276,000	306,400	2,0	2,0	<b>12746М</b>
260,000	320,000	28,000	28,000	305,000	282,000	298,000	2,0	2,0	<b>1612852М</b>
280,000	380,000	60,000	60,000	358,000	314,000	346,500	2,1	2,1	<b>2612956</b>
380,000	480,000	46,000	46,000	453,000	414,500	442,500	2,1	2,1	<b>1612876</b>



**RADIAL BEARINGS WITH CYLINDRICAL ROLLERS  
WITH ONE-FLANGE OUTER RING**



612000, 1612000, 2612000,  
3612000, 4614000

Воспринимают радиальную и одностороннюю кратковременную осевую нагрузку. В процессе монтажа и эксплуатации в подшипниках допускается одностороннее осевое перемещение внутреннего кольца относительно наружного, обеспечивается односторонняя фиксация вала при незначительных осевых нагрузках.

Подшипники серии 612000, 614000, 1612000, 2612000, 3612000, 4614000 – бесшариковые, неразборные.

Неразъемность конструкции обеспечивается запорной шайбой, устанавливаемой в канавку на дорожке качения наружного кольца.

Bearings can accommodate radial and single direction short-time axial load. Inner ring single direction axial movement relatively to the outer ring is permitted during mounting and operation. Bearings provide single direction shaft fixing under light axial loads.

Bearings of 612000, 614000, 1612000, 2612000, 3612000 and 4614000 series are cageless, non-separable. Closing thrust washer provides non-separability of design. This washer is installed into groove on outer ring raceway.

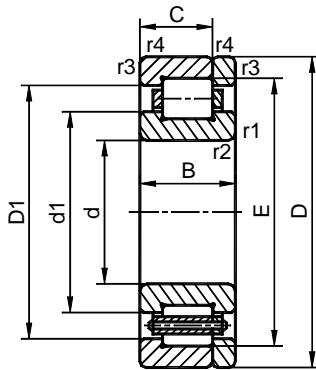
SERIES 12000, 612000, 1612000, 2612000, 3612000, 4614000

Грузоподъемность, Н Basic load ratings, N		Предельное число оборотов, об/мин Limiting speeds, n/min		Масса, кг Mass, kg	Условное обозначение подшипника Bearing designation		Завод-изготовитель Manufacturer
динамич. dynamic	статич. static	при смазке lubrication			ЕПК EBC	Международное International	
C	Co	пласт. grease	жидк. oil	m			
32700	49200	5600	6500	0,112	<b>4614906</b>		ВПЗ-15
49000	51200	9000	11000	0,429	<b>12507КМУ</b>		ВПЗ-15
48900	80000	3900	4600	0,257	<b>4614909</b>		ВПЗ-15
75900	74000	6300	7500	0,888	<b>12309КМ</b>	NF309	NSK
84300	95300	5300	6300	1,083	<b>12213КМ</b>		ВПЗ-15
131000	177000	2700	3100	1,000	<b>3612114</b>	SL183014	INA
181000	254000	1900	2300	1,760	<b>612515</b>	SL182215	INA
190000	205000	3800	4500	3,420	<b>12315КМ</b>	NF315	NSK
244000	325000	900	1800	2,730	<b>612517</b>	SL182217	INA
314000	361000	2800	3400	8,680	<b>12320М</b>	NF320М	
305000	492000	1700	2000	3,630	<b>3612122</b>	SL183022	INA
528000	769000	2200	2800	11,900	<b>12526М</b>	NF2226М	
256000	373000	2600	3200	6,500	<b>12728М</b>		ГПЗ-1
327000	543000	1100	1300	4,090	<b>2612934</b>	SL182934	INA
414000	625000	1600	2000	12,700	<b>12736М</b>		ГПЗ-1
200000	394000	530	1000	2,846	<b>1612844</b>	SL181844	INA
700000	1290000	1000	1300	26,000	<b>12746М</b>		ГПЗ-1
223000	473000	820	950	4,521	<b>1612852М</b>	SL181852	INA
922000	1850000	670	800	19,880	<b>2612956</b>	SL182956	INA
614000	1340000	520	600	19,494	<b>1612876</b>	SL181876	INA

Возможные неточности и опечатки не могут являться основанием для юридических претензий  
No liability can be accepted for any errors and omissions



**ПОДШИПНИКИ РОЛИКОВЫЕ РАДИАЛЬНЫЕ С КОРОТКИМИ ЦИЛИНДРИЧЕСКИМИ РОЛИКАМИ С ОДНОБОРТОВЫМ НАРУЖНЫМ И ПЛОСКИМ УПОРНЫМ КОЛЬЦАМИ**



**ТИП 22000**

Размеры, мм Dimensions, mm									Условное обозначение подшипника Bearing designation
d	D	B	C	E	d1	D1	r1,2 min	r3,4 min	
100,000	215,000	47,000	37,500	185,500	140,500	176,500	3,0	3,0	<b>22320M</b>

**RADIAL BEARINGS WITH SHORT CYLINDRICAL ROLLERS WITH ONE-FLANGE OUTER RING AND WITH FLAT THRUST RING**

Воспринимают радиальную и двухстороннюю кратковременную осевую нагрузку. В подшипниках допускается одностороннее осевое перемещение наружного кольца относительно внутреннего только в процессе монтажа, до установки упорных колец. Подшипники обеспечивают двухстороннюю фиксацию вала при незначительных осевых усилиях.

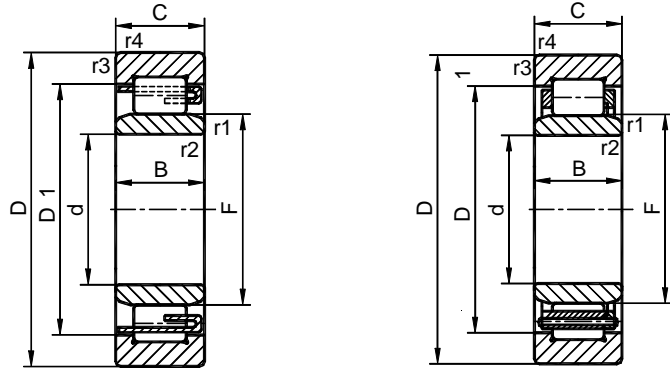
Bearings can accommodate radial and double direction short-time axial load. Single direction axial movement of outer ring relatively to the inner ring is permitted in mounting before thrust rings installing only. Bearings provide double direction shaft fixing under light axial loads.

**SERIES 22000**

Грузоподъемность, Н Basic load ratings, N		Предельное число оборотов, об/мин Limiting speeds, n/min		Масса, кг Mass, kg	Условное обозначение подшипника Bearing designation	Завод-изготовитель Manufacturer
динамич. dynamic	статич. static	при смазке lubrication				
C	Co	пласт. grease	жидк. oil	m	<b>ЕПК</b> <b>EBC</b>	Международное International
314000	361000	2800	3400	8,910	<b>22320M</b>	NP320M ГПЗ-1



**ПОДШИПНИКИ РОЛИКОВЫЕ РАДИАЛЬНЫЕ С КОРОТКИМИ ЦИЛИНДРИЧЕСКИМИ РОЛИКАМИ БЕЗ БОРТОВ НА ВНУТРЕННЕМ КОЛЬЦЕ**



**32000K**

**32000**

ТИП 32000, 1032000, 2032000

Размеры, мм Dimensions, mm							Условное обозначение подшипника Bearing designation	
d	D	B	C	F	D1	r1,2 min	r3,4 min	
25,000	62,000	24,000	24,000	35,000	49,400	1,1	1,1	<b>32605KM</b>
45,000	100,000	25,000	25,000	58,500	81,000	1,8	1,8	<b>32309KM</b>
50,000	130,000	31,000	31,000	70,800	101,600	2,1	2,1	<b>32410M</b>
65,000	120,000	23,000	23,000	79,600	100,000	1,8	1,8	<b>32213KM</b>
65,000	140,000	48,000	48,000	83,500	114,600	2,1	2,1	<b>32613EM</b>
65,000	140,000	48,000	48,000	83,500	114,600	2,1	2,1	<b>32613M</b>
75,000	160,000	37,000	37,000	95,500	129,900	2,5	2,5	<b>32315KM</b>
75,000	160,000	37,000	37,000	95,500	129,600	2,1	2,1	<b>32315M</b>
75,000	160,000	55,000	55,000	95,000	134,500	2,1	2,1	<b>32615AM</b>
75,000	160,000	55,000	55,000	95,500	129,600	2,5	2,5	<b>32615KM</b>
80,000	170,000	58,000	58,000	103,000	139,000	2,1	2,1	<b>32616M</b>
85,000	210,000	52,000	52,000	113,000	165,000	4,0	4,0	<b>32417M</b>
90,000	190,000	43,000	43,000	115,000	154,800	3,0	3,0	<b>32318KM</b>
90,000	190,000	64,000	64,000	115,000	155,500	3,0	3,0	<b>32618M</b>
90,000	225,000	54,000	54,000	123,500	177,900	4,0	4,0	<b>32418M</b>
95,000	240,000	55,000	55,000	133,500	186,000	4,0	4,0	<b>32419M</b>
100,000	215,000	47,000	47,000	129,500	175,000	3,0	3,0	<b>32320K1M</b>
100,000	215,000	73,000	73,000	129,500	175,000	3,0	3,0	<b>32620M</b>
105,000	260,000	60,000	60,000	144,500	206,000	4,0	4,0	<b>32421M</b>



**CYLINDRICAL ROLLER BEARINGS WITHOUT FLANGE ON INNER RING**

Воспринимают только радиальную нагрузку.

В процессе монтажа и эксплуатации допускают двухстороннее осевое перемещение внутреннего кольца относительно наружного и применяются в «плавающей» опоре.

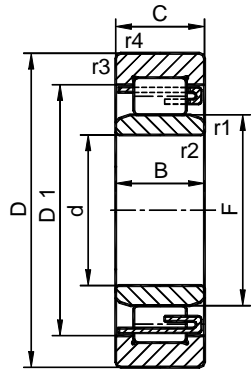
These bearings can accommodate only radial load.

They permit double direction axial displacement of the inner ring relatively to the outer ring in mounting and operation. They are applied in «floating» supports.

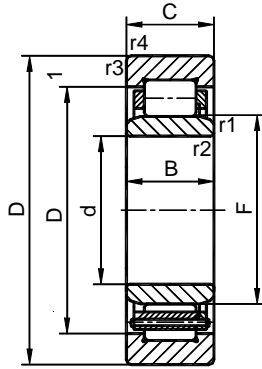
SERIES 32000, 1032000, 2032000

Грузоподъемность, Н Basic load ratings, N		Предельное число оборотов, об/мин Limiting speeds, n/min		Масса, кг Mass, kg	Условное обозначение подшипника Bearing designation			Завод-изготовитель Manufacturer
динамич. dynamic	статич. static	при смазке lubrication			ЕПК EBC	Международное International		
C	Co	пласт. grease	жидк. oil	m				
41800	37200	9000	11000	0,332	<b>32605KM</b>	NU2305	SKF	ВПЗ-15
75900	74000	6300	7500	0,875	<b>32309KM</b>	NU309	SKF	ВПЗ-15
130000	122000	5000	6000	2,290	<b>32410M</b>	NU410M		ГПЗ-1
84300	95300	5300	6300	1,089	<b>32213KM</b>	NU213	SKF	ВПЗ-15
190000	211000	4000	4800	3,450	<b>32613EM</b>	NU2313.TN		ГПЗ-1
190000	211000	4000	4800	3,650	<b>32613M</b>	NU2313M		ГПЗ-1
190000	205000	3800	4500	3,410	<b>32315KM</b>	NU315	SKF	ВПЗ-15
205000	205000	3800	4500	3,780	<b>32315M</b>	NU315M		ГПЗ-1
329000	395000	3400	4000	5,719	<b>32615AM</b>	NU2315EMA/C3	FAG	ВПЗ-15
274000	327000	3400	4000	5,220	<b>32615KM</b>	NU2315	SKF	ВПЗ-15
275000	328000	3200	3800	6,870	<b>32616M</b>	NU2316M		ГПЗ-1
319000	357000	3000	3600	10,100	<b>32417M</b>	NU417M		ГПЗ-1
257000	291000	3200	3800	5,700	<b>32318KM</b>	NU318	SKF	ВПЗ-15
330000	393000	2800	3400	9,360	<b>32618M</b>	NU2318M		ГПЗ-1
385000	408000	2800	3400	11,800	<b>32418M</b>	NU418M		ГПЗ-1
419000	439000	2600	3200	13,500	<b>32419M</b>	NU419M		ГПЗ-1
314000	361000	2800	3400	8,430	<b>32320K1M</b>	NU320M		ГПЗ-1
440000	582000	2400	3000	13,800	<b>32620M</b>	NU2320M		ГПЗ-1
501000	555000	2200	2800	17,400	<b>32421M</b>	NU421		ГПЗ-1

Возможные неточности и опечатки не могут являться основанием для юридических претензий  
No liability can be accepted for any errors and omissions



32000K



32000

ТИП 32000, 1032000, 2032000

Размеры, мм Dimensions, mm							Условное обозначение подшипника Bearing designation	
d	D	B	C	F	D1	r1,2 min	r3,4 min	
110,000	240,000	50,000	50,000	143,000	194,100	3,0	3,0	32322M
110,000	280,000	65,000	65,000	155,000	217,000	4,0	4,0	32422M
120,000	215,000	58,000	58,000	143,500	182,500	2,1	2,1	32524M
120,000	260,000	55,000	55,000	154,000	212,600	3,0	3,0	32324M
120,000	260,000	86,000	86,000	154,000	217,000	3,0	3,0	32624AM
120,000	310,000	72,000	72,000	170,000	243,100	5,0	5,0	32424M
130,000	230,000	40,000	40,000	156,000	193,000	3,0	3,0	32226M
130,000	280,000	58,000	58,000	167,000	231,000	4,0	4,0	32326M
130,000	340,000	78,000	78,000	185,000	265,000	5,0	5,0	32426M
140,000	250,000	42,000	42,000	169,000	209,000	3,0	3,0	32228M
140,000	250,000	68,000	68,000	169,000	213,000	3,0	3,0	32528M
140,000	300,000	62,000	62,000	180,000	245,000	4,0	4,0	32328M
140,000	360,000	82,000	82,000	196,000	279,400	5,0	5,0	32428M
150,000	320,000	65,000	65,000	193,000	262,300	4,0	4,0	32330M
160,000	240,000	48,000	48,000	180,000	215,100	2,1	2,1	2032132A
160,000	290,000	48,000	48,000	195,000	242,100	3,0	3,0	32232LM
160,000	340,000	68,000	68,000	205,000	275,000	4,0	4,0	32332K2M
160,000	340,000	68,000	68,000	208,000	273,000	4,0	4,0	32332M
170,000	260,000	42,000	42,000	193,000	229,000	2,1	2,1	32134M1
170,000	310,000	52,000	52,000	208,000	258,900	4,0	4,0	32234M
170,000	360,000	72,000	72,000	220,000	290,000	4,0	4,0	32334M
170,000	360,000	120,000	120,000	217,000	313,000	4,0	4,0	32634M
180,000	280,000	46,000	46,000	205,000	243,700	2,1	2,1	32136LM
180,000	380,000	75,000	75,000	230,000	308,000	4,0	4,0	32336M
190,000	290,000	46,000	46,000	215,000	255,000	2,1	2,1	32138K3M
190,000	340,000	55,000	55,000	230,000	293,600	4,0	4,0	32238LM
200,000	310,000	51,000	51,000	227,000	270,000	2,1	2,1	32140L4
200,000	360,000	58,000	58,000	244,000	300,000	4,0	4,0	32240M
200,000	360,000	98,000	98,000	241,000	311,500	4,0	4,0	32540



Воспринимают только радиальную нагрузку.

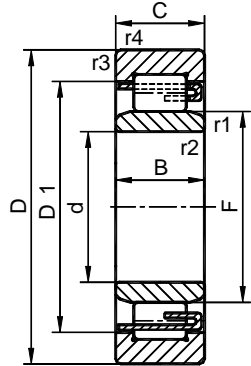
В процессе монтажа и эксплуатации допускают двухстороннее осевое перемещение внутреннего кольца относительно наружного и применяются в «плавающей» опоре.

These bearings can accommodate only radial load.

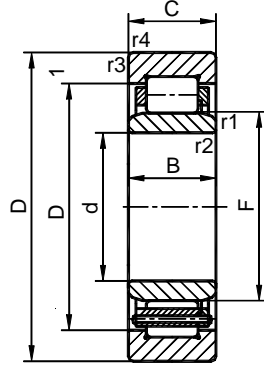
They permit double direction axial displacement of the inner ring relatively to the outer ring in mounting and operation. They are applied in «floating» supports.

SERIES 32000, 1032000, 2032000

Грузоподъемность, Н Basic load ratings, N		Предельное число оборотов, об/мин Limiting speeds, n/min		Масса, кг Mass, kg	Условное обозначение подшипника Bearing designation		Завод-изготовитель Manufacturer
динамич. dynamic	статич. static	при смазке lubrication			ЕПК EBC	Международное International	
C	Co	пласт. grease	жидк. oil	m			
391000	475000	2400	3000	12,300	32322M	NU322M	ГПЗ-1
324000	612000	2000	2600	22,600	32422M	NU422M	ГПЗ-1
369000	507000	2600	3200	9,330	32524M	NU224M	ГПЗ-1
457000	558000	2200	2800	15,100	32324M	NU324M	ГПЗ-1
782000	1010000	2000	2600	24,053	32624AM	NU2324EMA/C3	FAG ВПЗ-15
644000	735000	1900	2400	29,200	32424M	NU424M	ГПЗ-1
270000	369000	2600	3200	7,460	32226M	NU226M	ГПЗ-1
539000	664000	2000	2600	18,200	32326M	NU326M	ГПЗ-1
745000	946500	1600	2000	38,700	32426M	NU426M	ГПЗ-1
308000	427000	2400	3000	9,520	32228M	NU228M	ГПЗ-1
342000	780000	2000	2600	13,600	32528M	NU2228M	ГПЗ-1
594000	746000	1900	2400	22,400	32328M	NU328M	ГПЗ-1
805000	1028000	1300	1600	47,900	32428M	NU428M	ГПЗ-1
675000	820000	1700	2000	26,800	32330M	NU330M	ГПЗ-1
403000	635000	2400	3000	8,060	2032132A	NU2032E	SKF ВПЗ-15
501000	706000	1800	2200	13,900	32232LM	NU232	ГПЗ-1
710000	902000	1600	1900	31,200	32332K2M	NU332M	ГПЗ-1
710000	902000	1500	1800	32,300	32332M	NU332M	ГПЗ-1
275000	396000	2200	2800	8,050	32134M1	NU1034M	ГПЗ-1
616000	841000	1800	2200	18,000	32234M	NU234M	ГПЗ-1
809000	1000000	1600	1900	37,130	32334M	NU334M	ГПЗ-1
1230000	1804000	1300	1600	62,430	32634M	NU2334M	ГПЗ-1
336000	509000	2000	2600	11,100	32136LM	NU1036MA	ГПЗ-1
850000	1140000	1500	1800	44,300	32336M	NU336M	ГПЗ-1
347000	528000	2000	2600	11,460	32138K3M	NU1038M	ГПЗ-1
693000	905000	1600	1900	26,200	32238LM	NU238MA	ГПЗ-1
380000	570000	1900	2400	15,000	32140L4	NU1040MA	ГПЗ-1
650000	910000	1500	1800	27,300	32240M	NU240M	ГПЗ-1
1170000	1770000	1500	1800	47,320	32540	NU2240E.M1	FAG ВПЗ-15



**32000K**



**32000**

**ТИП 32000, 1032000, 2032000**

Размеры, мм Dimensions, mm						Условное обозначение подшипника Bearing designation	
d	D	B	C	F	D1	r1,2 min	r3,4 min

200,000	420,000	80,000	80,000	256,000	364,000	5,0	5,0	<b>32340M</b>
220,000	340,000	56,000	56,000	250,000	296,000	3,0	3,0	<b>32144M</b>
220,000	400,000	65,000	65,000	270,000	334,000	4,0	4,0	<b>32244M</b>
220,000	400,000	108,000	108,000	270,000	334,000	4,0	4,0	<b>32544M</b>
240,000	320,000	38,000	38,000	260,000	291,000	2,1	2,1	<b>1032948M</b>
240,000	360,000	72,000	72,000	270,000	316,000	3,0	3,0	<b>2032148M</b>
240,000	440,000	72,000	72,000	295,000	365,000	4,0	4,0	<b>32248</b>
260,000	360,000	46,000	46,000	285,000	324,000	2,1	2,1	<b>1032952M</b>
260,000	400,000	65,000	65,000	290,000	352,000	4,0	4,0	<b>32152ЛМ</b>
260,000	400,000	65,000	65,000	290,000	352,000	4,0	4,0	<b>32152M</b>
260,000	440,000	82,000	82,000	305,000	374,000	5,0	5,0	<b>1032752M</b>
280,000	380,000	46,000	46,000	305,000	343,500	2,1	2,1	<b>1032956M</b>
300,000	460,000	74,000	74,000	340,000	406,200	4,0	4,0	<b>32160Г2M</b>
300,000	460,000	74,000	74,000	340,000	406,200	4,0	4,0	<b>32160ЛМ</b>
320,000	440,000	56,000	56,000	350,000	396,000	3,0	3,0	<b>1032964ЛМ</b>
340,000	420,000	38,000	38,000	360,000	391,000	2,1	2,1	<b>1032868M</b>



Воспринимают только радиальную нагрузку.

В процессе монтажа и эксплуатации допускают двухстороннее осевое перемещение внутреннего кольца относительно наружного и применяются в «плавающей» опоре.

These bearings can accommodate only radial load.

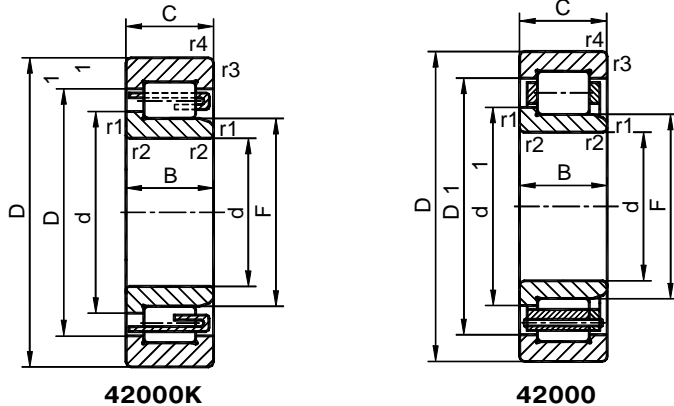
They permit double direction axial displacement of the inner ring relatively to the outer ring in mounting and operation. They are applied in «floating» supports.

**SERIES 32000, 1032000, 2032000**

Грузоподъемность, Н Basic load ratings, N		Предельное число оборотов, об/мин Limiting speeds, n/min		Масса, кг Mass, kg	Условное обозначение подшипника Bearing designation		Завод-изготовитель Manufacturer
динамич. dynamic	статич. static	при смазке lubrication		m	<b>ЕПК</b> <b>ЕВС</b>	Международное International	
C	Co	пласт. grease	жидк. oil				

860000	1259000	1300	1600	57,400	<b>32340M</b>	NU340M	ГПЗ-1
495000	768000	1800	2200	18,200	<b>32144M</b>	NU1044M	ГПЗ-1
790000	1130000	1500	1800	37,700	<b>32244M</b>	NU244M	ГПЗ-1
1140000	1846000	1300	1600	61,500	<b>32544M</b>	NU2244M	ГПЗ-1
265000	465000	1300	1600	8,370	<b>1032948M</b>	NU1948M	ГПЗ-1
756000	1300000	1700	2000	27,100	<b>2032148M</b>	NU2048M	ГПЗ-1
952000	1403000	1300	1600	51,300	<b>32248</b>	NU248M	ГПЗ-1
389000	720000	1300	1600	14,500	<b>1032952M</b>	NU1952M	ГПЗ-1
627000	1018000	1500	1800	29,300	<b>32152ЛМ</b>	NU1052MA	ГПЗ-1
627000	1018000	1500	1800	30,200	<b>32152M</b>	NU1052M	ГПЗ-1
1040000	1550000	1100	1400	50,600	<b>1032752M</b>		ГПЗ-1
404000	770000	1250	1500	15,400	<b>1032956M</b>	NU1956M	ГПЗ-1
858000	1440000	1200	1500	46,100	<b>32160Г2M</b>	NU1060FA	ГПЗ-1
858000	1440000	1200	1500	45,200	<b>32160ЛМ</b>	NU1060MA	ГПЗ-1
546000	1050000	1000	1300	26,300	<b>1032964ЛМ</b>	NU1964MA	ГПЗ-1
345000	710000	1000	1300	12,300	<b>1032868M</b>	NU1868MA	ГПЗ-1

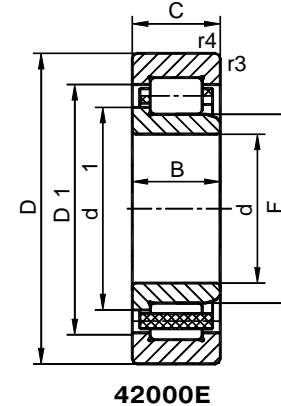
## ПОДШИПНИКИ РОЛИКОВЫЕ РАДИАЛЬНЫЕ С КОРОТКИМИ ЦИЛИНДРИЧЕСКИМИ РОЛИКАМИ С ОДНОБОРТОВЫМ ВНУТРЕННИМ КОЛЬЦОМ



ТИП 42000

Размеры, мм Dimensions, mm										Условное обозначение подшипника Bearing designation
d	D	B	C	F	d1	D1	r1,2 min	r3,4 min		
20,000	47,000	14,000	14,000	27,000	29,900	36,800	1,0	1,0	<b>42204ЕШ1</b>	
25,000	52,000	15,000	15,000	31,500	34,900	43,300	1,0	1,0	<b>42205A1E1УШ1</b>	
25,000	62,000	17,000	17,000	34,000	38,600	49,400	1,1	1,1	<b>42305AE1УШ1</b>	
60,000	110,000	28,000	28,000	72,000	77,700	95,100	1,5	1,5	<b>42512</b>	
65,000	140,000	48,000	48,000	83,500	91,000	114,600	2,1	2,1	<b>42613M</b>	
65,000	160,000	37,000	37,000	89,300	97,600	127,000	2,1	2,1	<b>42413M</b>	
75,000	160,000	37,000	37,000	95,500	103,900	129,900	2,5	2,5	<b>42315KM</b>	
75,000	160,000	55,000	55,000	95,500	103,900	129,600	2,5	2,5	<b>42615K1M</b>	
85,000	210,000	52,000	52,000	113,000	125,000	165,000	4,0	4,0	<b>42417M</b>	
90,000	190,000	43,000	43,000	115,000	124,000	154,800	3,0	3,0	<b>42318KM</b>	
90,000	190,000	64,000	64,000	115,000	124,000	155,500	3,0	3,0	<b>42618LM</b>	
100,000	215,000	47,000	47,000	129,500	137,800	175,000	3,0	3,0	<b>42320M</b>	
100,000	215,000	73,000	73,000	129,500	139,000	175,000	3,0	3,0	<b>42620M</b>	
100,000	250,000	58,000	58,000	139,000	153,500	195,000	4,0	4,0	<b>42420M</b>	
110,000	215,000	76,000	76,000	134,500	145,100	177,900	3,0	3,0	<b>42822E2M</b>	
110,000	215,000	76,000	76,000	134,500	145,100	177,900	3,0	3,0	<b>42822L1M</b>	
110,000	215,000	76,000	76,000	134,500	145,100	177,900	3,0	3,0	<b>42822L4M</b>	
110,000	240,000	50,000	50,000	143,000	153,000	195,000	3,0	3,0	<b>42322LM</b>	
110,000	280,000	65,000	65,000	155,000	170,500	217,000	4,0	4,0	<b>42422M</b>	

## RADIAL CYLINDRICAL ROLLER BEARINGS WITH SHORT ROLLERS WITH ONE FLANGE ON INNER RING



42000E

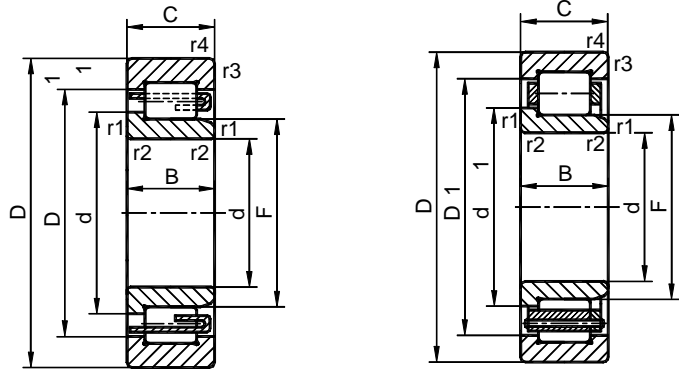
Воспринимают радиальную и одностороннюю кратковременную осевую нагрузку. В процессе монтажа и эксплуатации в подшипниках допускается одностороннее осевое перемещение внутреннего кольца относительно наружного, обеспечивается односторонняя фиксация вала при незначительных осевых нагрузках.

These bearings can accommodate radial and single direction short axial loads. They permit single direction axial displacement of the inner ring relative to the outer ring in mounting and operation; single direction fixing of the shaft is provided at light axial loads.

SERIES 42000

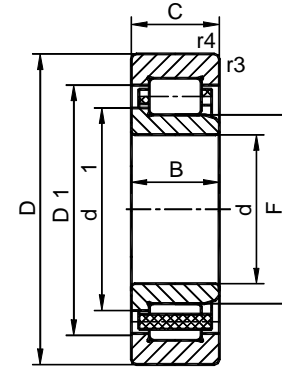
Грузоподъемность, Н Basic load ratings, N		Предельное число оборотов, об/мин Limiting speeds, n/min		Масса, кг Mass, kg	Условное обозначение подшипника Bearing designation			Завод-изготовитель Manufacturer
динамич. dynamic	статич. static	при смазке lubrication			EPC EBC	Международное International		
C	Co	пласт. grease	жидк. oil	m				
17700	15200	13000	16000	0,116	<b>42204ЕШ1</b>	NJ204	SKF	ВПЗ-15
29300	27700	11000	14000	0,154	<b>42205A1E1УШ1</b>	NJ205EC	SKF	ВПЗ-15
44300	40800	9000	11000	0,261	<b>42305AE1УШ1</b>	NJ305EC	SKF	ВПЗ-15
122000	142000	5300	6300	1,270	<b>42512</b>	NJ2212EC	SKF	ВПЗ-15
190000	211000	4000	4800	3,680	<b>42613M</b>	NJ2313M		ГПЗ-1
195000	200000	4000	4800	4,600	<b>42413M</b>	NJ413M		ГПЗ-1
190000	205000	3800	4500	3,500	<b>42315KM</b>	NJ315	SKF	ВПЗ-15
274000	327000	3400	4000	5,330	<b>42615K1M</b>	NJ2315	SKF	ВПЗ-15
319000	357000	3000	3600	10,100	<b>42417M</b>	NJ417M		ГПЗ-1
257000	291000	3200	3800	5,870	<b>42318KM</b>	NJ318	SKF	ВПЗ-15
440000	540000	2800	3400	8,890	<b>42618LM</b>	NJ2318M		ГПЗ-1
314000	361000	2800	3400	8,600	<b>42320M</b>	NJ320M		ГПЗ-1
440000	582000	2400	3000	19,400	<b>42620M</b>	NJ2320M		ГПЗ-1
430000	502000	2400	3000	16,300	<b>42420M</b>	NJ420M		ГПЗ-1
510000	705000	2600	3200	11,800	<b>42822E2M</b>			ГПЗ-1
510000	705000	2600	3200	13,300	<b>42822L1M</b>			ГПЗ-1
510000	705000	2600	3200	13,300	<b>42822L4M</b>			ГПЗ-1
391000	475000	2400	3000	12,500	<b>42322LM</b>	NJ322MA		ГПЗ-1
524000	612000	2000	3200	23,000	<b>42422M</b>	NJ422M		ГПЗ-1

Возможные неточности и опечатки не могут являться основанием для юридических претензий  
No liability can be accepted for any errors and omissions



42000K

42000



42000E

Воспринимают радиальную и одностороннюю кратковременную осевую нагрузку. В процессе монтажа и эксплуатации в подшипниках допускается одностороннее осевое перемещение внутреннего кольца относительно наружного, обеспечивается односторонняя фиксация вала при незначительных осевых нагрузках.

These bearings can accommodate radial and single direction short axial loads. They permit single direction axial displacement of the inner ring relative to the outer ring in mounting and operation; single direction fixing of the shaft is provided at light axial loads.

ТИП 42000

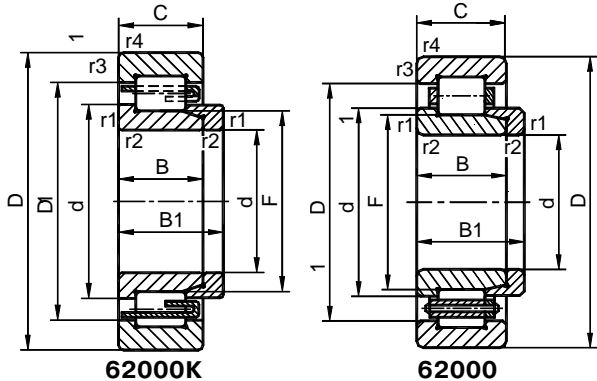
Размеры, мм Dimensions, mm										Условное обозначение подшипника Bearing designation
d	D	B	C	F	d1	D1	r1,2 min	r3,4 min		
120,000	180,000	28,000	28,000	135,000	141,000	158,600	2,0	2,0	42124	
120,000	215,000	58,000	58,000	143,500	153,000	182,500	2,1	2,1	42524M	
120,000	260,000	55,000	55,000	154,000	168,000	212,600	3,0	3,0	42324M	
130,000	230,000	64,000	64,000	156,000	165,500	193,000	3,0	3,0	42526M	
130,000	250,000	80,000	80,000	158,000	173,000	205,000	3,0	3,0	42726E2M	
130,000	250,000	80,000	80,000	158,000	173,000	205,000	3,0	3,0	42726L4M	
130,000	280,000	58,000	58,000	167,000	180,800	231,000	4,0	4,0	42326M	
130,000	280,000	93,000	93,000	167,000	178,500	231,000	4,0	4,0	42626M	
130,000	340,000	78,000	78,000	185,000	201,600	265,000	5,0	5,0	42426M	
135,000	280,000	93,000	93,000	174,000	188,000	230,000	4,0	4,0	42927M	
140,000	260,000	80,000	80,000	168,000	183,000	215,000	3,0	3,0	42728LM	
140,000	300,000	62,000	62,000	180,000	194,300	245,000	4,0	4,0	42328L1M	
140,000	360,000	82,000	82,000	196,000	217,000	279,400	5,0	5,0	42428M	
150,000	320,000	65,000	65,000	193,000	209,000	264,000	4,0	4,0	42330L1M	
160,000	290,000	48,000	48,000	195,000	206,500	241,500	3,0	3,0	42232M	
160,000	290,000	48,000	48,000	195,000	206,000	250,000	3,0	3,0	42232M1	
170,000	310,000	52,000	52,000	208,000	220,160	260,000	4,0	4,0	42234LM	
180,000	320,000	52,000	52,000	216,000	229,000	270,000	4,0	4,0	42236M	
180,000	320,000	86,000	86,000	216,000	229,000	268,000	4,0	4,0	42536LM	
180,000	320,000	90,000	86,000	216,000	229,000	268,000	4,0	4,0	42836LMY	
180,000	320,000	100,000	86,000	216,000	229,000	268,000	4,0	4,0	42836LM	
180,000	380,000	75,000	75,000	230,000	249,000	308,000	4,0	4,0	42336FM	
200,000	360,000	58,000	58,000	244,000	258,000	300,000	4,0	4,0	42240M	
220,000	340,000	56,000	56,000	250,000	261,400	296,000	3,0	3,0	42144LM	
220,000	400,000	65,000	65,000	270,000	286,000	334,000	4,0	4,0	42244M	
260,000	400,000	65,000	65,000	290,000	306,000	352,000	3,7	3,7	42152M	

SERIES 42000

Грузоподъемность, Н Basic load ratings, N		Предельное число оборотов, об/мин Limiting speeds, n/min		Масса, кг Mass, kg	Условное обозначение подшипника Bearing designation			Завод-изготовитель Manufacturer
динамич. dynamic	статич. static	при смазке lubrication			ЕПК EBC	Международное International		
C	Co	пласт. grease	жидк. oil	m				
139000	191000	3400	4000	2,680	42124	NJ1024	SKF	ВП3-15
369000	507000	2600	3200	9,540	42524M	NJ2224M		ПП3-1
457000	558000	2200	2800	15,400	42324M	NJ324M		ПП3-1
528000	769000	2200	2800	12,000	42526M	NJ2226M		ПП3-1
490500	426000	1800	2200	17,200	42726E2M			ПП3-1
490500	425000	1800	2200	18,200	42726L4M			ПП3-1
539000	664000	2000	2600	18,600	42326M	NJ326M		ПП3-1
900000	1230000	1800	2200	31,550	42626M	NJ2326M		ПП3-1
745000	947000	1600	2000	39,200	42426M	NJ426M		ПП3-1
671000	877000	1800	2200	28,906	42927M			ПП3-1
625000	832000	1800	2000	19,900	42728LM			ПП3-1
594000	746000	1900	2400	22,800	42328L1M	NJ328MA		ПП3-1
805000	1028000	1300	1600	48,800	42428M	NJ428M		ПП3-1
675000	820000	1700	2000	27030	42331LM	NJ330M		ПП3-1
501000	706000	1800	2200	14,500	42232M	NJ232M		ПП3-1
501000	706000	1800	2200	14,800	42232M1	NJ232M		ПП3-1
616000	841000	1800	2200	18,300	42234LM	NJ234MA		ПП3-1
627000	887000	1700	2000	19,100	42236M	NJ236		ПП3-1
788000	1182000	1700	2000	31,700	42536LM	NJ2236MA		ПП3-1
788000	1182000	1700	2000	32,100	42836LMY			ПП3-1
788000	1182000	1700	2000	32,900	42836LM			ПП3-1
913000	1180000	1500	1800	45,300	42336FM	NJ336N		ПП3-1
650,000	910,000	1500	1800	28,100	42240M	NJ240M		ПП3-1
495000	768000	1800	2200	19,900	42144LM	NJ1044MA		ПП3-1
790000	1130000	1500	1800	38,400	42244M	NJ244M		ПП3-1
627000	1018000	1500	1800	30,900	42152M	NJ1052M		ПП3-1

Возможные неточности и опечатки не могут являться основанием для юридических претензий  
No liability can be accepted for any errors and omissions

**ПОДШИПНИКИ РОЛИКОВЫЕ РАДИАЛЬНЫЕ  
С КОРОТКИМИ ЦИЛИНДРИЧЕСКИМИ РОЛИКАМИ  
С ОДНОБОРТОВЫМ (БЕЗБОРТОВЫМ) ВНУТРЕННИМ  
И ФАСОННЫМ УПОРНЫМ КОЛЬЦАМИ**



Подшипники с бортом на внутреннем кольце воспринимают радиальную и двухстороннюю кратковременную осевую нагрузку и обеспечивают двухстороннюю фиксацию вала. Подшипники без бортов на внутреннем кольце воспринимают радиальную и одностороннюю кратковременную осевую нагрузку и обеспечивают одностороннюю фиксацию вала.

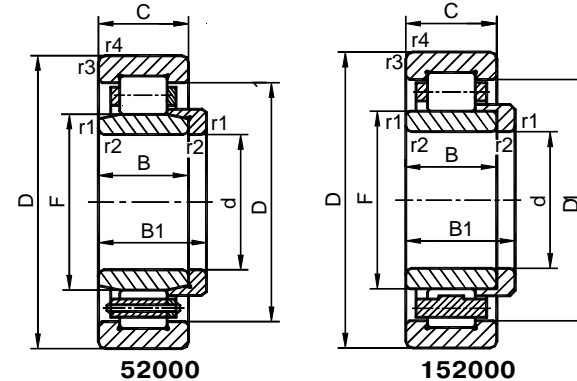
62000K

62000

ТИП 62000, 52000, 152000

Размеры, мм Dimensions, mm										Условное обозначение подшипника Bearing designation
d	D	B	C	F	d1	D1	B1	r1,2 min	r3,4 min	
60,000	130,000	46,000	46,000	77,000	81,000	106,500	55,000	2,1	2,1	<b>62612</b>
60,000	130,000	46,000	46,000	77,000	81,000	106,500	55,000	2,1	2,1	<b>62612K</b>
65,000	160,000	37,000	37,000	89,300	97,600	127,000	48,000	2,1	2,1	<b>62413M</b>
70,000	180,000	42,000	42,000	100,000	107,400	142,000	54,000	3,0	3,0	<b>62414M</b>
75,000	160,000	37,000	37,000	95,500	103,900	129,900	48,000	2,5	2,5	<b>62315KM</b>
75,000	190,000	45,000	45,000	104,500	115,000	147,500	58,000	3,0	3,0	<b>62415M</b>
85,000	210,000	52,000	52,000	113,000	125,000	165,000	66,000	4,0	4,0	<b>62417K1M</b>
90,000	190,000	64,000	64,000	115,000	155,500	76,000	76,000	3,0	3,0	<b>52618LM</b>
100,000	215,000	47,000	47,000	129,500	175,000	60,000	60,000	3,0	3,0	<b>52320M</b>
100,000	215,000	47,000	47,000	129,500	137,800	175,000	60,000	3,0	3,0	<b>62320M</b>
105,000	260,000	60,000	60,000	144,500	159,500	206,000	76,000	4,0	4,0	<b>62421M</b>
110,000	280,000	65,000	65,000	155,000	170,500	217,000	82,000	4,0	4,0	<b>62422M</b>
130,000	250,000	80,000	80,000	158,000	205,000	96,000	96,000	3,0	3,0	<b>52726LM2</b>
130,000	280,000	93,000	93,000	167,000	231,000	107,000	107,000	4,0	4,0	<b>52626M</b>
135,000	280,000	93,000	93,000	174,000	230,000	107,000	107,000	4,0	4,0	<b>52927GM</b>
140,000	300,000	62,000	62,000	180,000	245,000	77,000	77,000	4,0	4,0	<b>52328M</b>
150,000	320,000	65,000	65,000	193,000	209,000	264,000	80,000	4,0	4,0	<b>62330M</b>
160,000	340,000	68,000	68,000	208,000	273,000	83,000	83,000	4,0	4,0	<b>52332M</b>
180,000	320,000	52,000	52,000	216,000	229,000	272,000	64,000	4,0	4,0	<b>62236M1</b>
180,000	320,000	86,000	86,000	216,000	268,000	100,000	100,000	4,0	4,0	<b>152536LMU</b>
180,000	320,000	86,000	86,000	216,000	268,000	98,000	98,000	4,0	4,0	<b>52536LM</b>
180,000	320,000	86,000	86,000	216,000	229,000	268,000	98,000	4,0	4,0	<b>62536LM</b>
200,000	360,000	58,000	58,000	244,000	258,000	300,000	72,000	4,0	4,0	<b>62240M</b>
300,000	460,000	74,000	74,000	340,000	356,000	406,200	93,000	4,0	4,0	<b>62160LM</b>

**RADIAL BEARINGS WITH SHORT CYLINDRICAL ROLLERS  
WITH ONE-FLANGE (FLANGELESS) INNER RING AND  
SHAPED THRUST RING**



Bearings with flange on inner ring can accommodate radial and double direction short-time axial load. They provide double direction shaft fixing. Bearings without flanges on inner ring can accommodate radial and single direction short-time axial load and provide single direction shaft fixing.

52000

152000

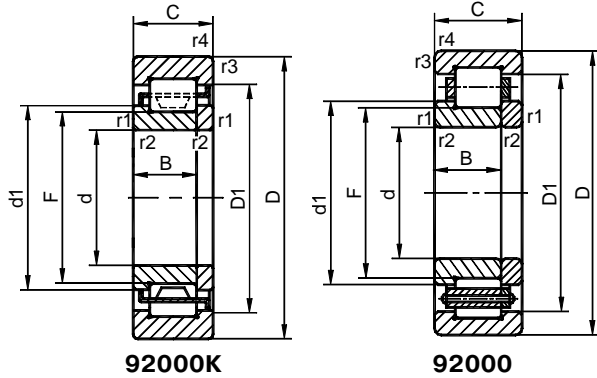
SERIES 62000, 52000, 152000

Групповые значения, Н Basic load ratings, N		Предельное число оборотов, об/мин Limiting speeds, n/min		Масса, кг Mass, kg	Условное обозначение подшипника Bearing designation		Завод-изготовитель Manufacturer
динамич. dynamic	статич. static	при смазке lubrication			ЕПК EBC	Международное International	
C	Co	пласт. grease	жидк. oil	m			
168000	186000	4300	5000	3,410	<b>62612</b>	NJ2312M+HJ2312	ГПЗ-1
168000	186000	4300	5000	2,980	<b>62612K</b>	NJ2312+HJ2312	ГПЗ-1
195000	200000	4000	4800	4,750	<b>62413M</b>	NJ413M+HJ413	ГПЗ-1
229000	255000	3600	4300	6,800	<b>62414M</b>	NJ414M+HJ414	ГПЗ-1
190000	205000	3800	4500	3,920	<b>62315KM</b>	NJ315+HJ315	SKF ВПЗ-15
264000	271000	3400	4000	8,420	<b>62415M</b>	NJ415M+HJ415	ГПЗ-1
319000	357000	3000	3600	10,829	<b>62417K1M</b>	NJ417M+HJ417	ГПЗ-1
330000	393000	2800	3400	9,360	<b>52618LM</b>	NJ2318MA+HJ2318	ГПЗ-1
314000	361000	2400	3000	9,337	<b>52320M</b>	NJ320M+HJ320	ГПЗ-1
314000	361000	2400	3000	9,500	<b>62320M</b>	NJ320M+HJ320	ГПЗ-1
501000	555000	2200	2800	19,200	<b>62421M</b>	NJ421M+HJ421	ГПЗ-1
524000	612000	2000	2600	25,200	<b>62422M</b>	NJ422M+HJ422	ГПЗ-1
490500	426800	1800	2200	19,300	<b>52726LM2</b>		ГПЗ-1
900000	1230000	1800	2200	32,800	<b>52626M</b>	NJ2326M+HJ2326	ГПЗ-1
671000	877000	1800	2200	30,600	<b>52927GM</b>		ГПЗ-1
594000	746000	1900	2400	24,400	<b>52328M</b>	NJ328M+HJ328	ГПЗ-1
675000	820000	1700	2000	29,600	<b>62330M</b>	NJ330M+HJ330	ГПЗ-1
880000	1080000	1500	1800	35,200	<b>52332M</b>	NJ332+HJ332	ГПЗ-1
627000	887000	1700	2000	20,100	<b>62236M1</b>	NJ236M+HJ236	ГПЗ-1
788000	1182000	1700	2000	33,400	<b>152536LMU</b>		ГПЗ-1
788000	1182000	1700	2000	33,100	<b>52536LM</b>	NJ236MA+HJ236	ГПЗ-1
788000	1182000	1700	2000	33,700	<b>62536LM</b>	NJ236MA+HJ236	ГПЗ-1
650000	910000	1500	1800	30,800	<b>62240M</b>	NJ240M+HJ240	ГПЗ-1
858000	1440000	1200	1500	51,700	<b>62160LM</b>	NJ1060MA+HJ1060	ГПЗ-1

Возможные неточности и опечатки не могут являться основанием для юридических претензий  
No liability can be accepted for any errors and omissions



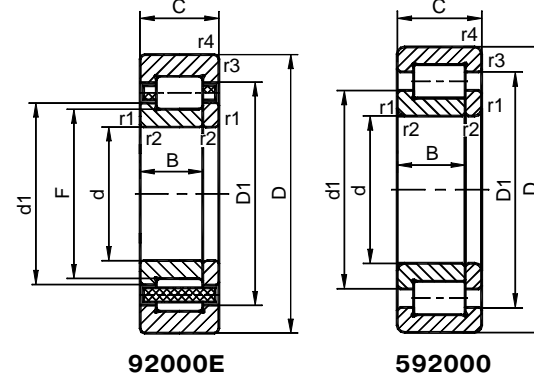
**ПОДШИПНИКИ РОЛИКОВЫЕ РАДИАЛЬНЫЕ С КОРОТКИМИ ЦИЛИНДРИЧЕСКИМИ РОЛИКАМИ С ОДНОБОРТОВЫМ ВНУТРЕННИМ И ПЛОСКИМ УПОРНЫМ КОЛЬЦАМИ**



Воспринимают радиальную и двустороннюю кратковременную осевую нагрузку. В подшипниках допускается одностороннее осевое перемещение внутреннего кольца относительно наружного только в процессе монтажа, до установки упорных колец. Подшипники обеспечивают двустороннюю осевую фиксацию вала при незначительных осевых нагрузках. Подшипники серии 592000 – бессепараторные, разборные.



**RADIAL CYLINDRICAL ROLLER BEARINGS WITH ONE-FLANGE INNER RING AND WITH FLAT THRUST RING**



These bearings can accommodate radial and double direction short-time axial load. Inner ring single direction axial movement relatively to the outer ring is permitted only in mounting, before thrust rings installing. Bearings provide double direction axial shaft fixing under light axial loads. Bearings of 592000 series are cageless, demountable.

ТИП 92000, 592000, 1092000

Размеры, мм Dimensions, mm									Условное обозначение подшипника Bearing designation
d	D	B	C	F	d1	D1	r1,2 min	r3,4 min	
25,000	55,000	13,500	18,000	31,500	34,900	43,300	1,0	1,0	92705AEУШ1
25,000	55,000	13,500	18,000	32,000	35,000	42,200	1,1	1,1	92705K
40,000	77,500	18,500	23,000	49,500	53,500	63,300	1,1	1,1	592708M1
70,000	125,000	26,500	31,000	83,500	89,000	108,800	1,5	1,5	92514M
75,000	160,000	29,500	37,000	95,500	103,900	129,900	2,5	2,5	92315KM
75,000	160,000	44,500	55,000	95,500	103,900	136,000	2,5	2,5	92615KM
85,000	210,000	42,000	52,000	113,000	125,000	165,000	4,0	4,0	92417EM
85,000	210,000	42,000	52,000	113,000	125,000	165,000	4,0	4,0	92417K2M
100,000	215,000	37,500	47,000	129,500	139,000	175,000	3,0	3,0	92320K1M
130,000	340,000	65,000	78,000	185,000	201,600	265,000	5,0	5,0	92426M
140,000	250,000	34,000	42,000	169,000	180,000	210,000	3,0	3,0	92228M1
140,000	300,000	51,000	62,000	180,000	195,500	245,000	4,0	4,0	92328LM
150,000	270,000	36,500	45,000	182,000	193,000	225,000	3,0	3,0	92230K1M
150,000	270,000	36,500	45,000	182,000	193,000	225,000	3,0	3,0	92230M
200,000	310,000	39,500	51,000	227,000	238,000	270,000	2,1	2,1	92140ЛЗМ
200,000	360,000	47,000	58,000	244,000	258,000	300,000	4,0	4,0	92240K1M
260,000	400,000	52,500	65,000	290,000	306,000	352,000	4,0	4,0	92152LM
260,000	400,000	52,500	65,000	290,000	306,000	352,000	4,0	4,0	92152M
320,000	440,000	43,000	56,000	350,000	361,500	396,000	3,0	3,0	1092964LM

SERIES 92000, 592000, 1092000

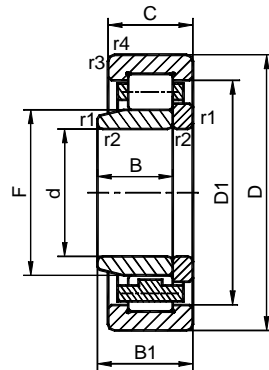
Грузоподъемность, Н Basic load ratings, N		Предельное число оборотов, об/мин Limiting speeds, n/min		Масса, кг Mass, kg	Условное обозначение подшипника Bearing designation	Завод-изготовитель Manufacturer
динамич. dynamic	статич. static	при смазке lubrication				
C	Co	пласт. grease	жидк. oil	m	ЕПК EBC	Международное International
29300	27700	12000	15000	0,204	92705AEУШ1	ВПЗ-15
23700	22800	12000	15000	0,213	92705K	ВПЗ-15
71500	87100	8000	10000	0,518	592708M1	ВПЗ-15
117000	147500	4500	5300	1,800	92514M	ППЗ-1
242000	256000	3800	4500	3,510	92315KM	ППЗ-15
274000	327000	3400	4000	5,587	92615KM	ППЗ-15
319000	357000	3000	3600	9,200	92417EM	ППЗ-1
319000	357000	3000	3600	10,500	92417K2M	ППЗ-1
314000	361000	2800	3400	8,780	92320K1M	ППЗ-1
745000	946500	1600	2000	40,000	92426M	ППЗ-1
308000	427000	2400	3000	8,940	92228M1	ППЗ-1
594000	746000	1900	2400	23,400	92328LM	ППЗ-1
358000	500000	2000	2600	12,800	92230K1M	ППЗ-1
358000	500000	2000	2600	12,800	92230M	ППЗ-1
380000	570000	1900	2400	15,760	92140ЛЗМ	ППЗ-1
650000	910000	1500	1800	27,900	92240K1M	ППЗ-1
627000	1018000	1500	1800	30,800	92152LM	ППЗ-1
627000	1018000	1500	1800	31,700	92152M	ППЗ-1
546000	1050000	1000	1300	27,700	1092964LM	ППЗ-1

Возможные неточности и опечатки не могут являться основанием для юридических претензий  
No liability can be accepted for any errors and omissions





**ПОДШИПНИКИ РОЛИКОВЫЕ РАДИАЛЬНЫЕ С КОРОТКИМИ ЦИЛИНДРИЧЕСКИМИ РОЛИКАМИ С БЕЗБОРТОВЫМ ВНУТРЕННИМ И ПЛОСКИМ УПОРНЫМ КОЛЬЦАМИ**



ТИП 232000, 2232000

Размеры, мм Dimensions, mm								Условное обозначение подшипника Bearing designation	
d	D	B	B1	C	F	D1	r1,2 min	r3,4 min	
110,000	215,000	63,700	76,700	76,000	134,500	177,900	3,0	3,0	<b>232822ЕМ</b>
110,000	215,000	63,700	76,700	76,000	134,500	177,900	3,0	3,0	<b>232822Л2М</b>
130,000	250,000	67,200	81,200	80,000	158,000	205,000	3,0	3,0	<b>232726Е2М</b>
130,000	250,000	67,200	81,200	80,000	158,000	205,000	3,0	3,0	<b>232726Л4М</b>
140,000	260,000	67,200	81,200	80,000	168,000	215,000	3,0	3,0	<b>232728Л1М</b>
140,000	260,000	67,200	81,200	80,000	168,000	215,000	3,0	3,0	<b>232728Л4М</b>
280,000	380,000	35,500	46,000	46,000	305,000	343,500	2,1	2,1	<b>232956ЛМ</b>
360,000	440,000	39,000	48,000	48,000	380,000	411,000	2,1	2,1	<b>2232872М</b>
360,000	440,000	39,000	48,000	48,000	380,000	411,000	2,1	2,1	<b>2232872МК</b>



**RADIAL ROLLER BEARINGS WITH SHORT CYLINDRICAL ROLLERS WITH FLANGELESS INNER RING AND FLAT THRUST RING**

Воспринимают радиальную и одностороннюю кратковременную осевую нагрузку. В процессе эксплуатации допускается одностороннее осевое перемещение внутреннего кольца относительно наружного, обеспечивается односторонняя фиксация вала при незначительных осевых нагрузках.

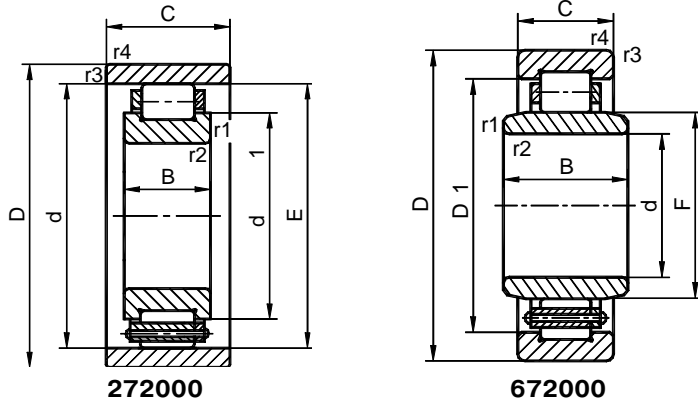
Bearings can accommodate radial and single direction short-time axial load. Single direction axial movement of inner ring relatively to the outer ring is permitted in operation, single direction shaft fixing is provided under light axial loads.

SERIES 232000, 2232000

Грузоподъемность, Н Basic load ratings, N		Предельное число оборотов, об/мин Limiting speeds, n/min		Масса, кг Mass, kg	Условное обозначение подшипника Bearing designation	Завод-изготовитель Manufacturer
динамич. dynamic	статич. static	при смазке lubrication				
C	Co	пласт. grease	жидк. oil	m	ЕПК EBC	Международное International
510000	705000	2600	3200	11,800	<b>232822ЕМ</b>	ГПЗ-1
510000	705000	2600	3200	13,300	<b>232822Л2М</b>	ГПЗ-1
490500	425000	1800	2200	17,200	<b>232726Е2М</b>	ГПЗ-1, СПЗ-16
490500	425000	1800	2200	18,200	<b>232726Л4М</b>	ГПЗ-1, СПЗ-16
625000	832000	1800	2000	19,900	<b>232728Л1М</b>	ГПЗ-1
625000	832000	1800	2000	19,900	<b>232728Л4М</b>	СПЗ-16
404000	770000	1250	1500	16,300	<b>232956ЛМ</b>	ГПЗ-1
482000	1083000	800	1000	16,600	<b>2232872М</b>	ГПЗ-1
482000	1083000	800	1000	16,500	<b>2232872МК</b>	ГПЗ-1



**ПОДШИПНИКИ РОЛИКОВЫЕ РАДИАЛЬНЫЕ С КОРОТКИМИ ЦИЛИНДРИЧЕСКИМИ РОЛИКАМИ С ВЫСТУПАЮЩИМ НАРУЖНЫМ (ВНУТРЕННИМ) БЕЗБОРТОВЫМ КОЛЬЦОМ**



**272000**

**672000**

**ТИП 272000, 672000**

Размеры, мм Dimensions, mm										Условное обозначение подшипника Bearing designation
d	D	B	C	E	F	d1	D1	r1,2 min	r3,4 min	
65,000	140,000	33,000	44,000	121,500		92,300		2,5	2,5	<b>272313M</b>
110,000	240,000	80,000	50,000		143,000		194,100	3,0	3,0	<b>672322M</b>
150,000	270,000	73,000	45,000		182,000		230,800	3,0	3,0	<b>672230M</b>
198,000	310,000	66,000	51,000		227,000		270,000	2,1	2,1	<b>672140Л</b>
200,000	310,000	66,000	51,000		227,000		270,000	2,1	2,1	<b>672140Л1</b>



**RADIAL BEARINGS WITH SHORT CYLINDRICAL ROLLERS WITH BULGING FLANGELESS OUTER (INNER) RING**

Воспринимают только радиальную нагрузку. В процессе монтажа и эксплуатации в подшипниках допускается двухстороннее осевое перемещение внутреннего кольца относительно наружного.

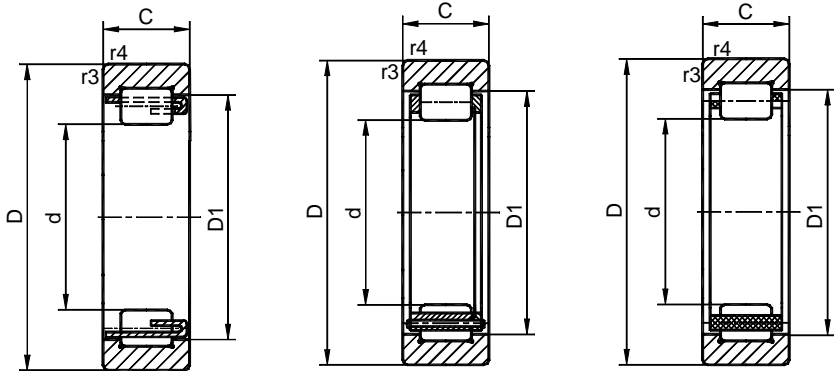
These bearings can accommodate radial and single direction short axial loads. They permit single direction axial displacement of the inner ring relatively to the outer ring during mounting and operation.

**SERIES 272000, 672000**

Грузоподъемность, Н Basic load ratings, N		Предельное число оборотов, об/мин Limiting speeds, n/min		Масса, кг Mass, kg	Условное обозначение подшипника Bearing designation	Завод-изготовитель Manufacturer
динамич. dynamic	статич. static	при смазке lubrication				
C	Co	пласт. grease	жидк. oil	m	<b>ЕПК</b> <b>ЕВС</b>	Международное International
143000	152000	4500	5300	2,860	<b>272313M</b>	ВПЗ-15
410000	515000	2400	3000	13,500	<b>672322M</b>	ППЗ-1
450000	645000	1900	2400	13,600	<b>672230M</b>	ППЗ-1
380000	570000	1900	2400	16,000	<b>672140Л</b>	ППЗ-1
380000	570000	1900	2400	16,100	<b>672140Л1</b>	ППЗ-1



## ПОДШИПНИКИ РОЛИКОВЫЕ РАДИАЛЬНЫЕ С ЦИЛИНДРИЧЕСКИМИ РОЛИКАМИ БЕЗ ВНУТРЕННЕГО КОЛЬЦА



292000K

292000, 129000

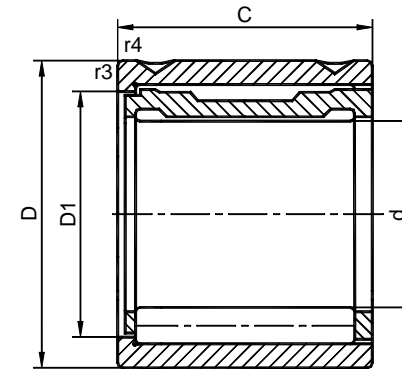
292000E

ТИП 154000, 192000, 292000

Размеры, мм Dimensions, mm					Условное обозначение подшипника Bearing designation
d по роликам	D	C	D1	r3,4 min	
32,000	52,000	15,000	42,200	1,0	<b>292205E</b>
42,000	72,000	19,000	62,000	1,1	<b>292306K1</b>
50,000	80,000	18,000	65,600	1,1	<b>292208</b>
60,000	82,000	51,000	71,000	1,0	<b>154912K</b>
60,400	90,000	20,000	76,200	1,1	<b>292210</b>
79,600	120,000	23,000	100,000	1,8	<b>292213KM</b>
113,000	210,000	52,000	165,000	4,0	<b>292417JM</b>
260,000	320,000	38,000	291,000	2,1	<b>1292948M</b>
290,000	400,000	65,000	352,000	4,0	<b>292152M</b>



## RADIAL CYLINDRICAL ROLLER BEARINGS WITHOUT INNER RING



154912K

Воспринимают только радиальную нагрузку. Применяются при необходимости уменьшения радиальных габаритов узла, при этом другая поверхность качения выполняется на валу. Твердость и точность поверхности качения должны быть такими же, как и у кольца подшипника.

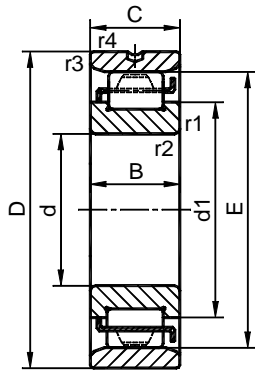
These bearings can accommodate only radial load. They are applied for reduction of radial unit dimensions while another raceway surface is machined on the shaft. Hardness and accuracy of the raceway surface must be the same as that of the bearing ring.

SERIES 154000, 192000, 292000

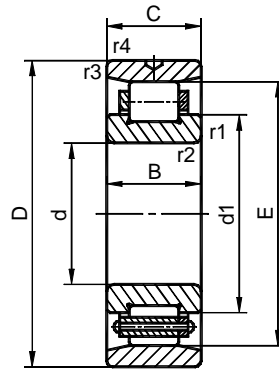
Грузоподъемность, Н Basic load ratings, N		Предельное число оборотов, об/мин Limiting speeds, n/min		Масса, кг Mass, kg	Условное обозначение подшипника Bearing designation			Завод-изготовитель Manufacturer
динамич. dynamic	статич. static	при смазке lubrication			EPC EBC	Международное International		
C	Co	пласт. grease	жидк. oil	m				
25100	24700	12000	15000	0,110	<b>292205E</b>	RNU205	SKF	ВПЗ-15
36900	32500	8500	10000	0,261	<b>292306K1</b>	RNU306		ГПЗ-1
46200	46200	8500	10000	0,348	<b>292208</b>	RNU208	SKF	ВПЗ-15
128000	216000		400	0,823	<b>154912K</b>			ВПЗ-15
53000	57800	7000	8500	0,428	<b>292210</b>	RNU210	SKF	ВПЗ-15
84300	95300	5300	6300	0,799	<b>292213KM</b>	RNU213	SKF	ВПЗ-15
319000	357000	3000	3600	9,900	<b>292417JM</b>	RNU417M		ГПЗ-1
265000	465000	1300	1600	6,110	<b>1292948M</b>	RNU1948M		ГПЗ-1
627000	1018000	1500	1800	23,600	<b>292152M</b>	RNU1052M		ГПЗ-1



**ПОДШИПНИКИ РОЛИКОВЫЕ РАДИАЛЬНЫЕ С КОРОТКИМИ ЦИЛИНДРИЧЕСКИМИ РОЛИКАМИ СО СТОПОРНЫМ ГНЕЗДОМ НА НАРУЖНОМ БЕЗБОРТОВОМ КОЛЬЦЕ**



**402000K**



**402000**

**ТИП 402000**

Размеры, мм Dimensions, mm							Условное обозначение подшипника Bearing designation	
d	D	B	C	E	d1	r1,2 min	r3,4 min	
55,000	120,000	43,000	43,000	104,500	77,000	2,3	2,3	<b>402611КМУ</b>
55,000	140,000	33,000	33,000	117,200	85,200	2,5	2,5	<b>402411КМУ</b>
120,000	260,000	55,000	55,000	226,000	170,500	3,0	3,0	<b>402324М</b>



**CYLINDRICAL ROLLER BEARINGS WITH SNAP RING GROOVE ON FLANGELESS OUTER RING**

Воспринимают только радиальную нагрузку. В процессе монтажа и эксплуатации в подшипниках допускается двухстороннее осевое перемещение внутреннего кольца относительно наружного.

Стопорное гнездо служит для фиксации наружного кольца в узле.

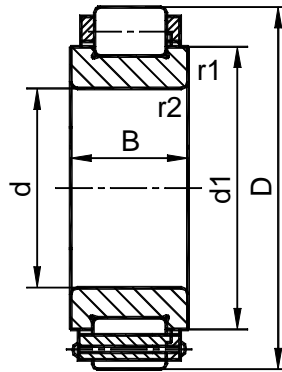
These bearings can accommodate only radial loads. During mounting and operation it is allowed double direction axial displacement of the inner ring relatively to the outer one.

Snap ring groove is intended for the outer ring fixing in the bearing assembly.

**SERIES 402000**

Грузоподъемность, Н Basic load ratings, N		Предельное число оборотов, об/мин Limiting speeds, n/min		Масса, кг Mass, kg	Условное обозначение подшипника Bearing designation	Завод-изготовитель Manufacturer
динамич. dynamic	статич. static	при смазке lubrication				
C	Co	пласт. grease	жидк. oil	m	<b>ЕПК</b> <b>ЕВС</b>	Международное International
148000	162000	4800	5600	2,120	<b>402611КМУ</b>	ВПЗ-15
139000	138000	4800	5600	2,500	<b>402411КМУ</b>	ВПЗ-15
457000	558000	2200	2800	15,188	<b>402324М</b>	ГПЗ-1

**ПОДШИПНИКИ РОЛИКОВЫЕ РАДИАЛЬНЫЕ  
С КОРОТКИМИ ЦИЛИНДРИЧЕСКИМИ РОЛИКАМИ  
БЕЗ НАРУЖНОГО КОЛЬЦА**



**RADIAL CYLINDRICAL ROLLER BEARINGS WITH SHORT  
ROLLERS WITHOUT OUTER RING**

Воспринимают только радиальную нагрузку. Применяют при необходимости уменьшения радиальных габаритов узла. Другая дорожка качения выполняется в расточке корпуса. Твердость и точность поверхности дорожки качения должны быть такими же как и у колец подшипника.

These bearings can accommodate only radial loads. They are applied for reduction of radial unit dimensions. The raceway surface is made on the shaft. Hardness and accuracy of the raceway surface must be the same as that of bearing ring.

**ТИП 502000**

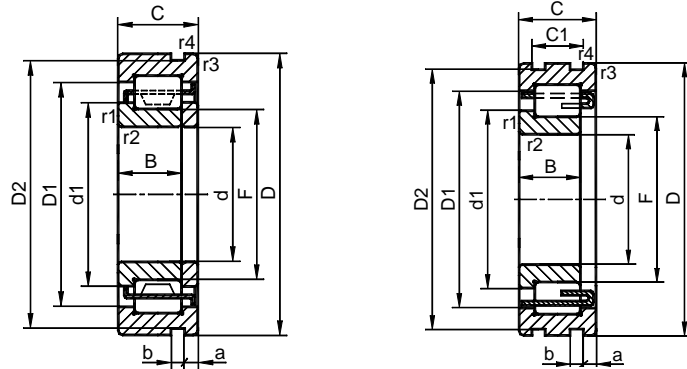
Размеры, мм Dimensions, mm					Условное обозначение подшипника Bearing designation
d	D по роликам	B	d1	r1,2 min	
45,000	86,500	25,000	64,000	1,8	<b>502309M</b>

**SERIES 502000**

Грузоподъемность, Н Basic load ratings, N		Предельное число оборотов, об/мин Limiting speeds, n/min		Масса, кг Mass, kg	Условное обозначение подшипника Bearing designation	Завод-изготовитель Manufacturer
динамич. dynamic	статич. static	при смазке lubrication				
C	C <sub>0</sub>	пласт. grease	жидк. oil	m	<b>ЕПК</b> <b>EBC</b>	Международное International
75900	74000	6300	7500	0,612	<b>502309M</b>	ВПЗ-15



**ПОДШИПНИКИ РОЛИКОВЫЕ РАДИАЛЬНЫЕ С КОРОТКИМИ ЦИЛИНДРИЧЕСКИМИ РОЛИКАМИ С ОДНОБОРТОВЫМ ВНУТРЕННИМ КОЛЬЦОМ, ПЛОСКИМ УПОРНЫМ КОЛЬЦОМ И С КАНАВКОЙ НА НАРУЖНОМ КОЛЬЦЕ**



**ТИП 692000**

Размеры, мм Dimensions, mm												Условное обозначение подшипника Bearing designation	
d	D	B	C	F	d1	D1	D2	C1	a	b	r1,2 min		r3,4 min
65,000	120,000	18,000	23,000	79,600	84,800	100,000	115,210	0,000	4,06	3,1	1,8	1,8	<b>692213KM</b>
75,000	160,000	29,500	37,000	95,500	103,900	129,600	155,220	29,000	4,90	3,1	2,5	0,5	<b>692315KM</b>
75,000	160,000	29,500	37,000	95,500	103,900	129,900	155,220	0,000	4,90	3,1	2,5	2,5	<b>692315KM1</b>



**CYLINDRICAL ROLLER BEARINGS WITH ONE-FLANGE INNER RING, WITH FLAT THRUST RING AND WITH GROOVE ON OUTER RING**

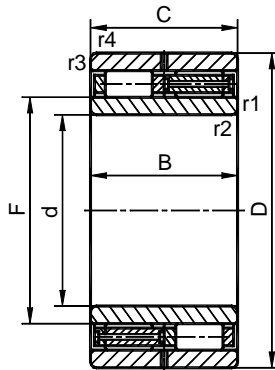
Воспринимают только радиальную и одностороннюю осевую нагрузку. Канавка на наружном кольце применяется для установки стопорных колец, предназначенных для фиксации подшипников.

These bearings can accommodate radial and single direction axial loads. The groove on the outer ring is applied for fitting of snap rings intended for bearing fastening.

**SERIES 692000**

Грузоподъемность, Н Basic load ratings, N		Предельное число оборотов, об/мин Limiting speeds, n/min		Масса, кг Mass, kg	Условное обозначение подшипника Bearing designation	Завод-изготовитель Manufacturer
динамич. dynamic	статич. static	при смазке lubrication				
C	Co	пласт. grease	жидк. oil	m	<b>ЕПК EBC</b>	Международное International
76700	86100	5300	6300	1,030	<b>692213KM</b>	ВПЗ-15
190000	205000	3800	4500	3,502	<b>692315KM</b>	ВПЗ-15
190000	205000	3800	4500	3,480	<b>692315KM1</b>	ВПЗ-15

**ПОДШИПНИКИ РОЛИКОВЫЕ РАДИАЛЬНЫЕ С КОРОТКИМИ ЦИЛИНДРИЧЕСКИМИ РОЛИКАМИ БЕЗ БОРТОВ НА ВНУТРЕННЕМ И НАРУЖНОМ КОЛЬЦАХ ДВУХРЯДНЫЕ**



**ТИП 782000**

Размеры, мм Dimensions, mm							Условное обозначение подшипника Bearing designation
d	D	B	C	F	r <sub>1,2</sub> min	r <sub>3,4</sub> min	
280,000	460,000	200,000	200,000	330,000	6,0	6,0	<b>782756M</b>

**RADIAL DOUBLE-ROW BEARINGS WITH SHORT CYLINDRICAL ROLLERS WITH FLANGELESS INNER AND OUTER RINGS**

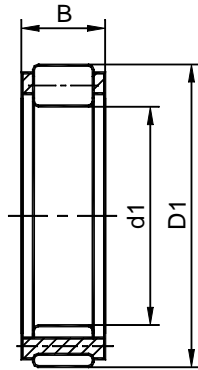
Воспринимают только радиальную нагрузку. Допускают двустороннее относительное осевое перемещение колец. Каждый ряд роликов имеет свой сепаратор.

These bearings can accommodate only radial load. They permit double direction relative axial displacement of the rings. Each roller row has its own cage.

**SERIES 782000**

Грузоподъемность, Н Basic load ratings, N		Масса, кг Mass, kg	Условное обозначение подшипника Bearing designation	Завод-изготовитель Manufacturer
динамич. dynamic C	статич. static Co			
2245000	4590000	150,000	<b>ЕПК</b> <b>ЕВС</b> Международное International	ГПЗ-1

**ПОДШИПНИКИ РОЛИКОВЫЕ РАДИАЛЬНЫЕ С ДЛИННЫМИ ЦИЛИНДРИЧЕСКИМИ РОЛИКАМИ БЕЗ КОЛЕЦ**



**ТИП 864000**

Размеры, мм Dimensions, mm			Условное обозначение подшипника Bearing designation
d по роликам	D1 по роликам	B	
40,000	50,000	17,000	<b>864708ДМ</b>

**RADIAL CYLINDRICAL ROLLER BEARINGS WITH LONG ROLLERS WITHOUT RINGS**

Применяются при необходимости уменьшения радиальных габаритов узла. Поверхности качения выполняются непосредственно на валу и в расточке корпуса. Твердость и точность поверхностей качения должны быть такими же, как и у колец подшипников.

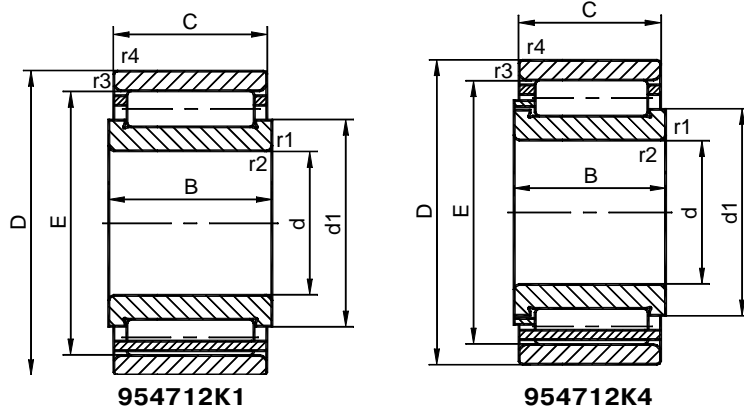
These bearings are applied for reduction of radial unit dimensions. Raceway surfaces are made directly on the shaft and in the housing. Hardness and accuracy of the raceway surfaces must be the same as that of bearing rings.

**SERIES 864000**

Грузоподъемность, Н Basic load ratings, N		Предельное число оборотов, об/мин Limiting speeds, n/min		Масса, кг Mass, kg	Условное обозначение подшипника Bearing designation	Завод-изготовитель Manufacturer
динамич. dynamic	статич. static	при смазке lubrication				
C	Co	пласт. grease	жидк. oil	m	<b>ЕПК</b> <b>ЕВС</b>	Международное International
30700	40100	7500	11000	0,045	<b>864708ДМ</b>	ВПЗ-15



**ПОДШИПНИКИ РОЛИКОВЫЕ РАДИАЛЬНЫЕ  
С ДЛИННЫМИ ЦИЛИНДРИЧЕСКИМИ РОЛИКАМИ  
С БЕЗБОРТОВЫМ НАРУЖНЫМ КОЛЬЦОМ  
И ВЫСТУПАЮЩИМ ВНУТРЕННИМ КОЛЬЦОМ**



954712K1

954712K4

ТИП 954000

Размеры, мм Dimensions, mm						Условное обозначение подшипника Bearing designation		
d	D	B	C	E	d1	r1,2 min	r3,4 min	
60,000	120,000	60,000	58,000	106,000	78,500	2,5	0,7	954712K1
60,000	120,000	60,000	58,000	106,000	78,500	2,5	0,7	954712K4

**RADIAL CYLINDRICAL ROLLER BEARINGS WITHOUT  
FLANGE ON OUTER RING AND WITH BULGING INNER RING**

Предназначены для восприятия только радиальных нагрузок. Осевое перемещение вала (или корпуса) не ограничивают. Перекос внутреннего кольца относительно наружного кольца недопустим, так как при этом нарушается линейный контакт роликов с дорожками качения.

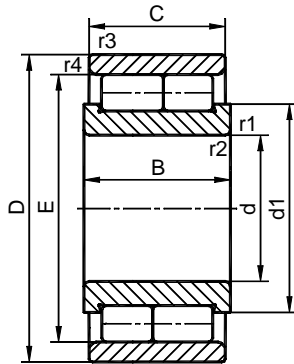
These bearings are intended for accommodation of radial loads only. Axial misalignment of the shaft ( or the housing ) is not limited. Misalignment of the inner ring relatively to the outer one is not permitted because it disturbs linear contact with raceways.

SERIES 954000

Грузоподъемность, Н Basic load ratings, N		Предельное число оборотов, об/мин Limiting speeds, n/min		Масса, кг Mass, kg	Условное обозначение подшипника Bearing designation	Завод-изготовитель Manufacturer
динамич. dynamic	статич. static	при смазке lubrication				
C	Co	пласт. grease	жидк. oil	m	ЕПК EBC	Международное International
247000	327000	3800	4800	2,940	954712K1	ВПЗ-15
247000	327000	3800	4800	3,020	954712K4	ВПЗ-15



**ПОДШИПНИКИ РОЛИКОВЫЕ РАДИАЛЬНЫЕ С КОРОТКИМИ ЦИЛИНДРИЧЕСКИМИ РОЛИКАМИ ДВУХРЯДНЫЕ БЕЗ БОРТОВ НА НАРУЖНОМ КОЛЬЦЕ БЕССЕПАРАТОРНЫЕ**



**ТИП 3222000**

Размеры, мм Dimensions, mm								Условное обозначение подшипника Bearing designation	
d	D	B	C	E	d1	r1,2 min	r3,4 min		
35,000	72,000	27,000	23,000	62,000	49,600	1,3	0,3	<b>3222207</b>	
50,000	90,000	30,200	24,000	77,400	65,000	1,3	0,3	<b>3222210</b>	
55,000	100,000	33,300	26,000	85,000	72,600	1,8	0,5	<b>3222211</b>	
60,000	110,000	36,500	28,000	92,800	79,000	1,8	0,5	<b>3222212</b>	
60,000	130,000	54,000	42,000	108,300	86,600	2,5	1,3	<b>3222312</b>	
65,000	120,000	38,100	32,000	104,300	85,700	1,8	0,9	<b>3222213</b>	
65,000	140,000	58,700	46,000	118,600	93,800	2,1	1,1	<b>3222313</b>	
80,000	170,000	68,300	54,000	142,400	116,100	2,5	1,3	<b>3222316</b>	
95,000	200,000	77,800	64,000	167,500	136,500	3,0	1,3	<b>3222319</b>	
100,000	215,000	82,600	70,000	177,000	143,000	3,0	1,3	<b>3222320</b>	
110,000	240,000	92,100	72,000	200,800	160,500	3,0	1,3	<b>3222322</b>	
120,000	260,000	106,000	82,000	216,300	172,900	3,0	1,3	<b>3222324</b>	
140,000	300,000	118,000	92,000	251,800	199,100	3,7	1,8	<b>3222328</b>	



**RADIAL DOUBLE-ROW CYLINDRICAL ROLLER BEARINGS WITHOUT FLANGES ON OUTER RING CAGELESS**

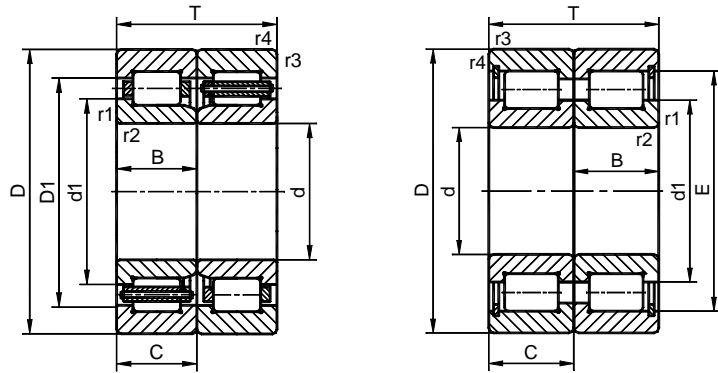
Применяются в опорах с повышенной радиальной нагрузкой. По сравнению с сепараторными подшипниками допускают меньшие скорости вращения вследствие трения на поверхностях соприкасающихся роликов.

These bearings are applied in supports with higher radial load. They permit lower rotation speeds than bearings with cages because of the friction of mating rollers.

**SERIES 3222000**

Грузоподъемность, Н Basic load ratings, N		Предельное число оборотов, об/мин Limiting speeds, n/min		Масса, кг Mass, kg	Условное обозначение подшипника Bearing designation		Завод-изготовитель Manufacturer
динамич. dynamic	статич. static	при смазке lubrication			ЕПК EBC	Международное International	
C	Co	пласт. grease	жидк. oil	m			
87500	120000	1700	2100	0,518	<b>3222207</b>		ВПЗ-15
111000	177000	1400	1700	0,810	<b>3222210</b>		ВПЗ-15
128000	218000	1300	1600	1,028	<b>3222211</b>		ВПЗ-15
156000	267000	1100	1400	1,470	<b>3222212</b>		ВПЗ-15
276000	423000	1100	1400	3,390	<b>3222312</b>		ВПЗ-15
202000	313000	900	1200	1,910	<b>3222213</b>		ВПЗ-15
333000	504000	1000	1300	4,300	<b>3222313</b>		ВПЗ-15
447000	750000	700	850	7,380	<b>3222316</b>		ВПЗ-15
577500	980000	800	1400	11,800	<b>3222319</b>		ГПЗ-1
689000	1170000	700	1200	14,970	<b>3222320</b>		ГПЗ-1
819000	1350000	650	1000	19,900	<b>3222322</b>		ГПЗ-1
970000	1630000	600	850	26,300	<b>3222324</b>		ГПЗ-1
1262000	2096000	530	700	38,800	<b>3222328</b>		ГПЗ-1

## ПОДШИПНИКИ РОЛИКОВЫЕ С ЦИЛИНДРИЧЕСКИМИ РОЛИКАМИ СДВОЕННЫЕ



42000Y2

612000Y2

ТИП 42000Y2, 612000Y2

Размеры, мм Dimensions, mm										Условное обозначение подшипника Bearing designation
d	D	B	C	T	E	d1	D1	r1,2 min	r3,4 min	
60,000	110,000	28,000	28,000	56,000		77,700	95,100	1,5	1,5	<b>42512Y2</b>
75,000	130,000	31,000	31,000	62,000	116,000	92,000		1,5	1,5	<b>612515Y2</b>
85,000	150,000	36,000	36,000	72,000	133,000	104,500		2,0	2,0	<b>612517Y2</b>

## BEARINGS WITH CYLINDRICAL ROLLERS DOUBLED

Предназначены для восприятия повышенных радиальных нагрузок. Допустимая радиальная нагрузка в 1,7 раза выше, чем у соответствующего однорядного подшипника.

Подшипники подбираются в процессе производства таким образом, чтобы обеспечить равномерное распределение нагрузки в подшипниковом узле и поставляются комплектно.

Bearings are intended for accommodation of advanced radial loads. Permissible radial load is 1.7 times higher than that of corresponding single-row bearing.

In production process bearings are gathered so as to provide equal load distribution in bearing unit. They are delivered completely.

SERIES 42000Y2, 612000Y2

Грузоподъемность, Н Basic load ratings, N		Предельное число оборотов, об/мин Limiting speeds, n/min		Масса, кг Mass, kg	Условное обозначение подшипника Bearing designation		Завод-изготовитель Manufacturer	
динамич. dynamic	статич. static	при смазке lubrication			ЕПК EBC	Международное International		
C	Co	пласт. grease	жидк. oil					
209000	285000	5300	6300	2,620	<b>42512Y2</b>	NJ2212EC/DR	SKF	ВПЗ-15
311000	509000	1900	2300	3,520	<b>612515Y2</b>	SL182215-2S	INA	ВПЗ-15
419000	649000	900	1800	5,460	<b>612517Y2</b>	SL182217-2S	INA	ВПЗ-15



## **RADIAL DOUBLE-ROW SPHERICAL ROLLER BEARINGS**

Spherical bearings are intended for accommodation of heavy radial load, but simultaneously they can accommodate for axial load acting in double directions and not exceeding 25% of unused permissible radial load.

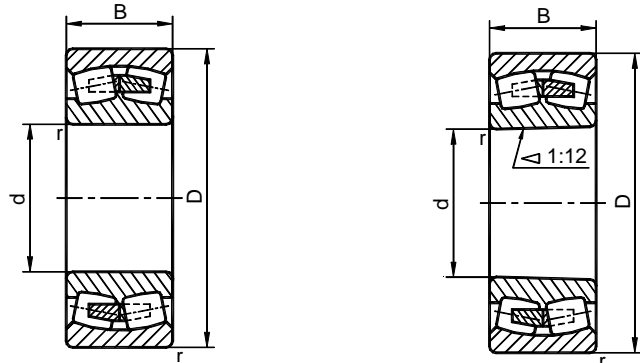
They are able to compensate heavy axis misalignment formed as a result of shaft deflection under load and also because of technical imprecision in fitting surfaces working or unit mounting. Bearing availability remains when inner ring longitudinal cocking relatively to the axle of outer ring is about two degrees. They fix shaft in axial direction in both ways within axial clearances.

Bearings are made with non-central rollers (series 3000 and their modifications) and symmetrical rollers (series 53000 and their modifications), with cylindrical and tapered inner ring bore, with clamping and coupling sleeves.

They are used in supports of units and machines, where are large radial loads and fitting seat misalignment is inevitable. These are thick pumps, fans, reducers as well as log frames, propeller shafts, rolling mills.



**ПОДШИПНИКИ РОЛИКОВЫЕ РАДИАЛЬНЫЕ  
СФЕРИЧЕСКИЕ ДВУХРЯДНЫЕ**



**3000, 53000, 2003000, 3003000,  
3053000, 4003000, 4053000**

**253000, 113000, 3113000,  
4113000, 4153000**

**ТИП 3000, 53000, 113000, 253000, 2003000, 3003000, 3053000, 3113000, 4003000, 4053000, 4113000, 4153000**

Размеры, мм Dimensions, mm				Условное обозначение подшипника Bearing designation
d	D	B	r min	
110,000	240,000	80,000	3,0	113622
110,000	240,000	80,000	3,0	3622
110,000	240,000	80,000	3,0	3622K
120,000	260,000	86,000	3,0	3624H
130,000	230,000	64,000	3,0	113526
130,000	230,000	64,000	3,0	3526
140,000	240,000	80,000	3,0	113728
140,000	250,000	68,000	3,0	3528AH
150,000	270,000	73,000	3,0	3530AH
150,000	320,000	108,000	4,0	3630AH
160,000	265,000	84,000	2,1	113732
160,000	270,000	86,000	2,1	3003732
160,000	290,000	80,000	3,0	3532AH
160,000	340,000	114,000	4,0	113632
160,000	340,000	114,000	4,0	3632
160,000	340,000	136,000	4,0	3003332A1HK
170,000	290,000	88,000	4,0	3934
170,000	310,000	110,000	4,0	3003234
170,000	360,000	120,000	4,0	3634AH



**RADIAL DOUBLE-ROW SPHERICAL ROLLER BEARINGS**

Устанавливаются на длинных валах, подверженных значительным прогибам, или в опорах отдельных корпусов.

Подшипники с коническим отверстием устанавливаются на концевых опорах валов и осей имеющих коническую шейку, или на закрепительную или стяжную втулку. Наличие конического отверстия облегчает их монтаж и демонтаж.

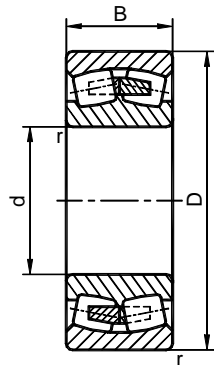
They are installed on long shafts with heavy deflection or on separated case supports.

Bearings with tapered bore are installed on terminal supports of shafts and axles with tapered journal or they are installed on clamping or coupling sleeve. Tapered bore eases their mounting and dismantling.

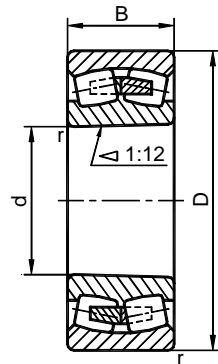
**SERIES 3000, 53000, 113000, 253000, 2003000, 3003000, 3053000, 3113000, 4003000, 4053000, 4113000, 4153000**

Грузоподъемность, Н Basic load ratings, N		Предельное число оборотов, об/мин Limiting speeds, n/min		Масса, кг Mass, kg	Условное обозначение подшипника Bearing designation		Завод-изготовитель Manufacturer
динамич. dynamic	статич. static	при смазке lubrication			ЕПК EBC	Международное International	
C	Co	пласт. grease	жидк. oil				
740000	880000	1500	1900	17,850	113622	22322KM	ППЗ-1
740000	880000	1500	1900	17,800	3622	22322M	ППЗ-1
740000	880000	1500	1900	17,800	3622K	22322MA	ППЗ-1
860000	1100000	1300	1700	23,200	3624H	22324M.W33	ППЗ-1
569000	789000	1400	1800	11,600	113526	22226KM	ППЗ-1
569000	789000	1400	1800	11,500	3526	22226M	ППЗ-1
639000	1080000	1200	1600	15,500	113728		ППЗ-1
650000	960000	1300	1700	14,000	3528AH	22228M.W33	ППЗ-1
850000	1200000	1200	1600	18,600	3530AH	22230M.W33	ППЗ-1
1370000	1830000	1000	1400	43,600	3630AH	22330M.W33	ППЗ-1
734000	1292000	950	1300	18,500	113732		ППЗ-1
796000	1370000	950	1300	20,000	3003732	23132M	ППЗ-1
965000	1370000	1000	1400	23,100	3532AH	22232M.W33	ППЗ-1
1380000	1850000	950	1300	49,000	113632	22332KM	ППЗ-1
1380000	1850000	950	1300	51,300	3632	22332M	ППЗ-1
1620000	2340000	950	1300	61,000	3003332A1HK	23332MA.W33	ППЗ-1
857000	1460000	950	1300	25,700	3934		ППЗ-1
1220000	1930000	950	1300	37,100	3003234	23234MC3	ППЗ-1
1600000	2120000	900	1200	60,400	3634AH	22334M.W33	ППЗ-1

Возможные неточности и опечатки не могут являться основанием для юридических претензий  
No liability can be accepted for any errors and omission



**3000, 53000, 2003000, 3003000,  
3053000, 4003000, 4053000**



**253000, 113000, 3113000,  
4113000, 4153000**

**ТИП 3000, 53000, 113000, 253000, 2003000, 3003000, 3053000, 3113000, 4003000, 4053000, 4113000, 4153000**

Размеры, мм Dimensions, mm				Условное обозначение подшипника Bearing designation
d	D	B	r min	
180,000	280,000	74,000	2,1	3003136AH
180,000	380,000	126,000	4,0	113636
180,000	380,000	126,000	4,0	3636
190,000	340,000	92,000	4,0	3538AH
200,000	310,000	82,000	2,1	3003140AH
200,000	310,000	82,000	2,1	3113140AH
200,000	360,000	98,000	4,0	3540AH
200,000	420,000	138,000	5,0	113640AH
200,000	420,000	138,000	5,0	3640AH
220,000	320,000	76,000	3,0	3844
220,000	340,000	90,000	3,0	3003144H
220,000	340,000	90,000	3,0	3113144H
220,000	365,000	120,000	3,7	3744
220,000	370,000	120,000	4,0	3003744
220,000	400,000	108,000	4,0	113544
220,000	400,000	108,000	4,0	3544
239,850	395,000	124,000	3,7	3948
240,000	360,000	92,000	3,0	3003148
240,000	360,000	92,000	3,0	3113148H
240,000	400,000	128,000	4,0	3003748K
240,000	500,000	155,000	5,0	113648
240,000	500,000	155,000	5,0	3648
250,000	365,000	87,000	3,0	3850
260,000	400,000	104,000	4,0	3003152AH

Устанавливаются на длинных валах, подверженных значительным прогибам, или в опорах отдельных корпусов.

Подшипники с коническим отверстием устанавливаются на концевых опорах валов и осей имеющих коническую шейку, или на закрепительную или стяжную втулку. Наличие конического отверстия облегчает их монтаж и демонтаж.

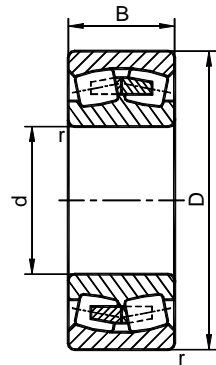
They are installed on long shafts with heavy deflection or on separated case supports.

Bearings with tapered bore are installed on terminal supports of shafts and axles with tapered journal or they are installed on clamping or coupling sleeve. Tapered bore eases their mounting and dismantling.

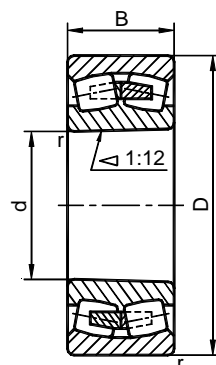
**SERIES 3000, 53000, 113000, 253000, 2003000, 3003000, 3053000, 3113000, 4003000, 4053000, 4113000, 4153000**

Грузоподъемность, Н Basic load ratings, N		Предельное число оборотов, об/мин Limiting speeds, n/min		Масса, кг Mass, kg	Условное обозначение подшипника Bearing designation		Завод-изготовитель Manufacturer
динамич. dynamic	статич. static	при смазке lubrication			EPC EBC	Международное International	
C	Co	пласт. grease	жидк. oil	m			
865000	1430000	1400	1800	15,800	3003136AH	23036M.W33	ГПЗ-1
1740000	2570000	850	1100	68,800	113636	22336KM	ГПЗ-1
1740000	2570000	850	1100	70,800	3636	22336M	ГПЗ-1
1090000	1670000	900	1200	37,000	3538AH	22238M.W33	ГПЗ-1
1060000	1760000	950	1300	23,400	3003140AH	23040M.W33	ГПЗ-1
1060000	1760000	950	1300	22,700	3113140AH	23040KM.W33	ГПЗ-1
1320000	2000000	850	1100	44,100	3540AH	22240M.W33	ГПЗ-1
1950000	2880000	800	1000	92,000	113640AH	22340KM.W33	ГПЗ-1
1950000	2880000	800	1000	94,000	3640AH	22340M.W33	ГПЗ-1
757000	1452000	800	1000	20,700	3844		ГПЗ-1
1100000	2000000	950	1300	31,000	3003144H	23044M	ГПЗ-1
1100000	2000000	950	1300	29,600	3113144H	23044KM.W33	ГПЗ-1
1343000	2473000	630	800	53,200	3744		ГПЗ-1
1580000	2750000	700	900	56,700	3003744	23144M	ГПЗ-1
1560000	2400000	800	1000	61,300	113544	22244KM	ГПЗ-1
1560000	2400000	800	1000	62,500	3544	22244M	ГПЗ-1
1568000	2738000	750	950	50,000	3948		ГПЗ-1
1130000	2180000	800	1000	33,500	3003148	23048M	ГПЗ-1
1130000	2180000	800	1000	34,300	3113148H	23048KM.W33	ГПЗ-1
1630000	3080000	670	850	65,100	3003748K	23148M	ГПЗ-1
2461000	3745000	670	850	151,000	113648	22348KM	ГПЗ-1
2461000	3745000	670	850	154,000	3648	22348M	ГПЗ-1
988000	1953000	630	800	31,300	3850		ГПЗ-1
1460000	2691000	750	950	48,900	3003152AH	23052M	ГПЗ-1

Возможные неточности и опечатки не могут являться основанием для юридических претензий  
No liability can be accepted for any errors and omission



**3000, 53000, 2003000, 3003000,  
3053000, 4003000, 4053000**



**253000, 113000, 3113000,  
4113000, 4153000**

**ТИП 3000, 53000, 113000, 253000, 2003000, 3003000, 3053000, 3113000, 4003000, 4053000, 4113000, 4153000**

Размеры, мм Dimensions, mm				Условное обозначение подшипника Bearing designation
d	D	B	r min	
260,000	400,000	104,000	4,0	3113152АН
280,000	420,000	106,000	4,0	3003156А
280,000	420,000	106,000	4,0	3113156АН
280,000	460,000	146,000	5,0	3003756АН
280,000	580,000	175,000	6,0	113656
280,000	580,000	175,000	6,0	3656
300,000	460,000	118,000	4,0	3003160А
300,000	500,000	160,000	5,0	3003760АН
320,000	480,000	121,000	4,0	3003164
320,000	540,000	176,000	5,0	3003764АН
320,000	580,000	150,000	5,0	3564
320,000	580,000	208,000	5,0	3003264
340,000	500,000	120,000	4,0	3768Г
340,000	520,000	133,000	5,0	3003168
340,000	520,000	180,000	5,0	4113168
360,000	540,000	134,000	5,0	3003172
360,000	650,000	170,000	6,0	3572
380,000	620,000	194,000	5,0	3003776
380,000	620,000	194,000	5,0	3113776
400,000	590,000	142,000	5,0	3880
400,000	600,000	148,000	5,0	3003180
400,000	650,000	200,000	6,0	3003780
400,000	650,000	200,000	6,0	3113780
400,000	670,000	216,000	9,5	3980
400,000	720,000	180,000	6,0	3580

Устанавливаются на длинных валах, подверженных значительным прогибам, или в опорах отдельных корпусов.

Подшипники с коническим отверстием устанавливаются на концевых опорах валов и осей имеющих коническую шейку, или на закрепительную или стяжную втулку. Наличие конического отверстия облегчает их монтаж и демонтаж.

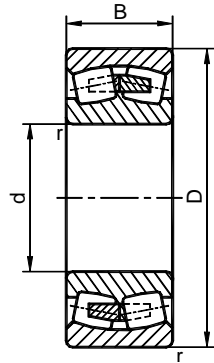
They are installed on long shafts with heavy deflection or on separated case supports.

Bearings with tapered bore are installed on terminal supports of shafts and axles with tapered journal or they are installed on clamping or coupling sleeve. Tapered bore eases their mounting and dismantling.

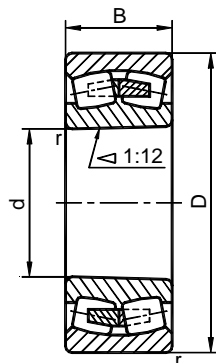
**SERIES 3000, 53000, 113000, 253000, 2003000, 3003000, 3053000, 3113000, 4003000, 4053000, 4113000, 4153000**

Грузоподъемность, Н Basic load ratings, N		Предельное число оборотов, об/мин Limiting speeds, n/min		Масса, кг Mass, kg	Условное обозначение подшипника Bearing designation		Завод-изготовитель Manufacturer
динамич. dynamic	статич. static	при смазке lubrication			<b>ЕПК</b> <b>ЕВС</b>	Международное International	
C	Co	пласт. grease	жидк. oil	m			
1466000	2691000	750	950	47,500	3113152АН	23052KM.W33	ПТЗ-1
1568000	2994000	700	900	53,100	3003156А	23056M	ПТЗ-1
1568000	2994000	700	900	51,200	3113156АН	23056KM.W33	ПТЗ-1
2300000	4250000	560	700	99,200	3003756АН	23156M.W33	ПТЗ-1
3247000	5144000	560	700	231,000	113656	22356KM	ПТЗ-1
3247000	5144000	560	700	233,000	3656	22356M	ПТЗ-1
1866000	3497000	630	800	72,900	3003160А	23060M	ПТЗ-1
2820000	5100000	670	850	142,000	3003760АН	23160M.W33	ПТЗ-1
2016000	3932000	600	750	79,200	3003164	23064M	ПТЗ-1
3280000	6000000	630	800	170,000	3003764АН	23164M.W33	ПТЗ-1
3160000	4900000	530	670	186,000	3564	22264M	ПТЗ-1
3900000	6950000	530	670	247,000	3003264	23264M	ПТЗ-1
1854000	3650000	400	500	82,300	3768Г		ПТЗ-1
2120000	4280000	560	700	105,000	3003168	23068M	ПТЗ-1
2634000	5222000	480	600	128,000	4113168	24068KM	ПТЗ-1
2390000	4800000	530	670	114,000	3003172	23072M	ПТЗ-1
3480000	5800000	320	400	256,000	3572	22272M	ПТЗ-1
3446000	6636000	400	500	240,000	3003776	23176M	ПТЗ-1
3446000	6636000	400	500	233,000	3113776	23176KM	ПТЗ-1
2372000	5192000	450	550	140,000	3880		ПТЗ-1
2721000	5467000	480	600	154,000	3003180	23080M	ПТЗ-1
3939000	7811000	380	480	271,000	3003780	23180M	ПТЗ-1
3939000	7811000	380	480	263,000	3113780	23180KM	ПТЗ-1
4037000	8135000	380	480	343,900	3980		ПТЗ-1
4300000	7100000	260	320	338,000	3580	22280M	ПТЗ-1

Возможные неточности и опечатки не могут являться основанием для юридических претензий  
No liability can be accepted for any errors and omission



**3000, 53000, 2003000, 3003000,  
3053000, 4003000, 4053000**



**253000, 113000, 3113000,  
4113000, 4153000**

**ТИП 3000, 53000, 113000, 253000, 2003000, 3003000, 3053000, 3113000, 4003000, 4053000, 4113000, 4153000**

Размеры, мм Dimensions, mm				Условное обозначение подшипника Bearing designation
d	D	B	r min	
400,000	820,000	243,000	7,5	3680ХН
440,000	650,000	157,000	6,0	3003188
440,000	650,000	157,000	6,0	3113188
460,000	680,000	163,000	6,0	3003192
460,000	680,000	163,000	6,0	3113192
460,000	760,000	240,000	7,5	3003792Н
460,000	760,000	240,000	7,5	3113792Н
480,000	700,000	165,000	6,0	3003196
480,000	870,000	310,000	7,5	3003296Х
500,000	830,000	264,000	7,5	30037/500Х
530,000	780,000	185,000	6,0	30031/530
530,000	980,000	355,000	9,5	31132/530
560,000	820,000	195,000	6,0	30031/560Н
600,000	870,000	200,000	6,0	30031/600НХ
600,000	870,000	200,000	6,0	31131/600НХ
600,000	980,000	300,000	7,5	30037/600Г
670,000	1090,000	412,000	7,5	40537/670НХ
680,000	920,000	153,000	6,0	1137/680Г
680,000	920,000	153,000	6,0	37/680Г
710,000	1150,000	438,000	9,5	40537/710ХН
710,000	1150,000	438,000	9,5	41537/710ХН
750,000	920,000	170,000	5,0	40038/750Н
750,000	1000,000	185,000	6,0	30539/750НХ
750,000	1220,000	450,000	9,5	537/750Х
850,000	1220,000	365,000	7,5	40031/850
850,000	1500,000	515,000	15,0	30032/850Х
1060,000	1580,000	480,000	9,5	2538/1060К1Х
1180,000	1660,000	272,000	9,5	20031/1180Х

Устанавливаются на длинных валах, подверженных значительным прогибам, или в опорах отдельных корпусов.

Подшипники с коническим отверстием устанавливаются на концевых опорах валов и осей, имеющих коническую шейку, или на закрепительную или стяжную втулку. Наличие конического отверстия облегчает их монтаж и демонтаж.

They are installed on long shafts with heavy deflection or on separated case supports.

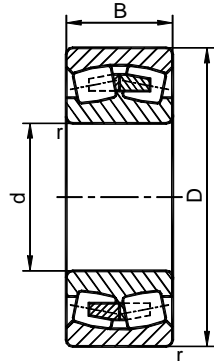
Bearings with tapered bore are installed on terminal supports of shafts and axles with tapered journal or they are installed on clamping or coupling sleeve. Tapered bore eases their mounting and dismantling.

**SERIES 3000, 53000, 113000, 253000, 2003000, 3003000, 3053000, 3113000, 4003000, 4053000, 4113000, 4153000**

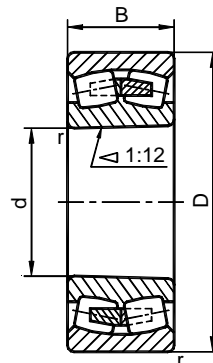
Грузоподъемность, Н Basic load ratings, N		Предельное число оборотов, об/мин Limiting speeds, n/min		Масса, кг Mass, kg	Условное обозначение подшипника Bearing designation		Завод-изготовитель Manufacturer
динамич. dynamic	статич. static	при смазке lubrication			ЕПК ЕВС	Международное International	
C	Co	пласт. grease	жидк. oil				
5929000	10081000	320	400	690,000	3680ХН	22380M.W33	ПТЗ-1
2975000	6115000	430	530	187,000	3003188	23088M	ПТЗ-1
2975000	6115000	430	530	181,000	3113188	23088KM	ПТЗ-1
3650000	7650000	400	500	215,800	3003192	23092M	ПТЗ-1
3650000	7650000	400	500	210,000	3113192	23092KM	ПТЗ-1
5106000	10581000	320	400	470,000	3003792Н	23192M.W33	ПТЗ-1
5106000	10581000	320	400	456,000	3113792Н	23192KM.W33	ПТЗ-1
3341000	7099000	380	480	230,000	3003196	23096M	ПТЗ-1
6300000	12700000	260	340	851,000	3003296Х	23296M.W33	ПТЗ-1
7100000	1430000	340	430	606,000	30037/500Х	231/500M	ПТЗ-1
4015000	8822000	340	430	315,000	30031/530	230/530M.W33	ПТЗ-1
9852000	18830000	220	300	1202,000	31132/530	232/530KM	ПТЗ-1
4461000	10028000	320	400	365,000	30031/560Н	230/560M.W33	ПТЗ-1
5700000	12500000	380	430	432,000	30031/600НХ	230/600M.W33	ПТЗ-1
5700000	12500000	380	430	397,000	31131/600НХ	230/600KM.W33	ПТЗ-1
8542000	18434000	200	280	950,000	30037/600Г	231/600	ПТЗ-1
13736000	30525000	220	300	1530,000	40537/670НХ	241/670M.W33	ПТЗ-1
3542000	9006000	280	360	315,000	1137/680Г		ПТЗ-1
3542000	9006000	280	360	323,000	37/680Г		ПТЗ-1
14595000	32129000	80	110	1947,000	40537/710ХН	241/710M.W33	ПТЗ-1
14595000	32129000	80	110	1947,000	41537/710ХН	241/710KM.W33	ПТЗ-1
3590000	11050000	200	300	288,000	40038/750Н	238/750M.W33	ПТЗ-1
5013000	11777000	260	340	410,000	30539/750НХ	239/750M.W33	ПТЗ-1
15180000	32580000	180	240	1755,600	537/750Х		ПТЗ-1
11350000	27945000	180	240	1478,000	40031/850	240/850MA.W33	ПТЗ-1
20914000	44353000	110	150	4079,000	30032/850Х	232/850M	ПТЗ-1
18600000	44000000	100	140	3295,000	2538/1060К1Х		ПТЗ-1
12077000	29018000	70	100	1935,700	20031/1180Х		ПТЗ-1

Возможные неточности и опечатки не могут являться основанием для юридических претензий  
No liability can be accepted for any errors and omissions





**3000, 53000, 2003000, 3003000,  
3053000, 4003000, 4053000**



**253000, 113000, 3113000,  
4113000, 4153000**

**ТИП 3000, 53000, 113000, 253000, 2003000, 3003000, 3053000, 3113000, 4003000, 4053000, 4113000, 4153000**

Размеры, мм Dimensions, mm				Условное обозначение подшипника Bearing designation
d	D	B	r min	
1320,000	1720,000	350,000	7,5	37/1320X
1320,000	1950,000	500,000	14,0	538/1320X

Устанавливаются на длинных валах, подверженных значительным прогибам, или в опорах отдельных корпусов.

Подшипники с коническим отверстием устанавливаются на концевых опорах валов и осей имеющих коническую шейку, или на закрепительную или стяжную втулку. Наличие конического отверстия облегчает их монтаж и демонтаж.

They are installed on long shafts with heavy deflection or on separated case supports.

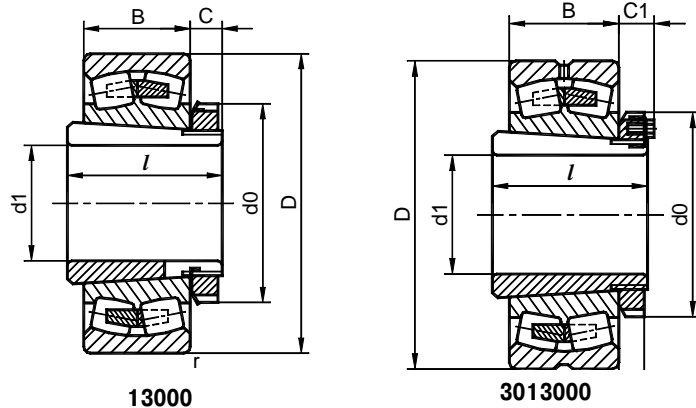
Bearings with tapered bore are installed on terminal supports of shafts and axles with tapered journal or they are installed on clamping or coupling sleeve. Tapered bore eases their mounting and dismantling.

**SERIES 3000, 53000, 113000, 253000, 2003000, 3003000, 3053000, 3113000, 4003000, 4053000, 4113000, 4153000**

Грузоподъемность, Н Basic load ratings, N		Предельное число оборотов, об/мин Limiting speeds, n/min		Масса, кг Mass, kg	Условное обозначение подшипника Bearing designation	Завод-изготовитель Manufacturer
динамич. dynamic	статич. static	при смазке lubrication				
C	C <sub>0</sub>	пласт. grease	жидк. oil	m	<b>ЕПК</b> <b>ЕВС</b>	Международное International
14706000	41155000	90	130	2183,000	37/1320X	ГПЗ-1
28088000	69362000	70	100	5268,000	538/1320X	ГПЗ-1



**ПОДШИПНИКИ РОЛИКОВЫЕ РАДИАЛЬНЫЕ СФЕРИЧЕСКИЕ ДВУХРЯДНЫЕ С ЗАКРЕПИТЕЛЬНОЙ ВТУЛКОЙ**



ТИП 13000, 3013000

Размеры, мм Dimensions, mm								Условное обозначение подшипника Bearing designation
d1	D	B	l	C	C1	d0	r min	
100,000	240,000	80,000	105,000	21,000		145,000	3,00	13620K
140,000	340,000	114,000	147,000	28,000		210,000	4,00	13628K
160,000	380,000	126,000	161,000	30,000		230,000	4,00	13632K
200,000	370,000	120,000	161,000	32,900	44,000	280,000	4,00	3013740
220,000	360,000	92,000	133,000	34,900	46,000	290,000	3,00	3013144
220,000	400,000	128,000	172,000	33,900	45,000	300,000	4,00	3013744
360,000	680,000	240,000	310,000	61,500	77,000	490,000	6,00	3013272H



**RADIAL DOUBLE-ROW SPHERICAL ROLLER BEARINGS WITH CLAMPING SLEEVE**

Монтируют на гладких (без заплечиков) многоопорных валах для восприятия радиальных нагрузок. Наличие закрепительной втулки позволяет монтировать подшипники с коническим отверстием на цилиндрическую шейку вала, облегчает их монтаж и демонтаж.

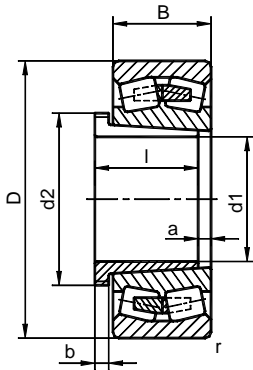
Bearings are installed on single-diameter (without shoulders) multiple-support shafts for receiving of radial loads. Clamping sleeve permits to mount bearings with tapered bore on cylindrical shaft journal. Clamping sleeve eases their mounting and dismantling.

SERIES 13000, 3013000

Грузоподъемность, Н Basic load ratings, N		Предельное число оборотов, об/мин Limiting speeds, n/min		Масса, кг Mass, kg	Условное обозначение подшипника Bearing designation		Завод-изготовитель Manufacturer
динамич. dynamic	статич. static	при смазке lubrication			ЕПК EBC	Международное International	
C	Co	пласт. grease	жидк. oil	m			
740000	880000	1500	1900	20,300	13620K	22322KM + H2322	ГПЗ-1
1380000	1850000	950	1300	59,300	13628K	22332KM + H2332	ГПЗ-1
1740000	2570000	850	1100	80,180	13632K	22336KM + H2336	ГПЗ-1
1580000	2750000	700	900	72,600	3013740	23144KM + H3144	ГПЗ-1
1130000	2180000	800	1000	47,600	3013144	23048KM + H3048	ГПЗ-1
1630000	3080000	670	850	80,360	3013744	23148KM + H3148	ГПЗ-1
5050000	9100000	380	480	451,000	3013272H	23276KM.W20 + H3276	ГПЗ-1



**ПОДШИПНИКИ РОЛИКОВЫЕ РАДИАЛЬНЫЕ  
СФЕРИЧЕСКИЕ ДВУХРЯДНЫЕ СО СТЯЖНОЙ ВТУЛКОЙ**



**ТИП 73000, 93000, 3073000**

Размеры, мм Dimensions, mm								Условное обозначение подшипника Bearing designation
d1	D	B	d2	l	a	b	r min	
100,000	240,000	80,000	M130x2	98,000	4,0	16,0	3,0	73620
110,000	240,000	80,000	M140x2	98,000	4,0	16,0	3,0	93722
115,000	260,000	86,000	M135x2	105,000	4,0	17,0	3,0	73623
150,000	320,000	108,000	M180x3	135,000	5,0	24,0	4,0	73930
150,000	340,000	114,000	M180x3	140,000	6,0	24,0	4,0	73630
170,000	380,000	126,000	M200x3	154,000	6,0	26,0	4,0	73634
190,000	420,000	138,000	Tr220x4	170,000	7,0	30,0	5,0	73638
220,000	500,000	155,000	Tr260x4	189,000	8,0	30,0	5,0	73644
380,000	650,000	200,000	Tr440x3	240,000	10,0	38,0	6,0	3073776K
570,000	870,000	200,000	Tr630x6	245,000	14,0	45,0	6,0	30731/570HX



**RADIAL DOUBLE-ROW SPHERICAL ROLLER BEARINGS  
WITH COUPLING SLEEVE**

Подшипники на стяжных втулках устанавливают на концевых опорах валов и осей различных тяжело нагруженных механизмов. Наличие стяжной втулки позволяет монтировать подшипники с коническим отверстием по цилиндрическую шейку вала, облегчает их монтаж и демонтаж.

Bearings with coupling sleeve are installed on different heavy-loaded machine terminal supports of shafts and axles. Coupling sleeve permits to mount bearings with tapered bore on cylindrical shaft journal. Coupling sleeve eases their mounting and dismantling.

**SERIES 73000, 93000, 3073000**

Грузоподъемность, Н Basic load ratings, N		Предельное число оборотов, об/мин Limiting speeds, n/min		Масса, кг Mass, kg	Условное обозначение подшипника Bearing designation	Завод-изготовитель Manufacturer
динамич. dynamic	статич. static	при смазке lubrication				
C	Co	пласт. grease	жидк. oil	m	ЕПК EBC	Международное International
740000	880000	1500	1900	19,700	73620	ГПЗ-1
725000	965000	1600	2000	19,000	93722	ГПЗ-1
860000	1100000	1300	1700	24,500	73623	22324KM+AHX2324 ГПЗ-1
1270000	1760000	1000	1400	46,800	73930	ГПЗ-1
1380000	1850000	950	1300	55,000	73630	22332KM+AH2332 ГПЗ-1
1740000	2570000	850	1100	74,180	73634	22336KM+AH2336 ГПЗ-1
1950000	2880000	800	1000	99,700	73638	22340KM+AH2340 ГПЗ-1
2461000	2745000	670	850	167,000	73644	22348KM+AH2348 ГПЗ-1
3939000	7811000	380	480	314,000	3073776K	23180KM.W33+AH3180H ГПЗ-1
5700000	12500000	380	430	529,000	30731/570HX	230/600KM.W33+AH30/600A ГПЗ-1



## ROLLER BEARINGS WITH SPIRAL WOUND ROLLERS OR SPIRAL WOUND RINGS

**Roller bearings with spiral wound rollers** or spiral wound rings are designed to carry only radial loads not fixing the shaft in axial direction. They can accommodate shock loads and small ingress of foreign particles. Their load carrying capacity is twice less than that of bearings with cylindrical rollers. They can operate only at low speed.

The maximum bearing speed depends on radial load value and requires the consultation with the supplier.

The bearings with spiral wound rollers are produced with outer, inner rings and cage with the set of rollers of 5000, 3005000, 15000, 3015000 series. The bearing of 15000, 3015000 series are manufactured with extended inner ring with slot for fitting the bearing on the shaft. Such design of the bearing facilitates its mounting and dismounting and prevents inner ring creeping on the shaft.

The rollers are produced by winding on rectangular cross-section belt. The next rollers have usually opposite winding for better lubricant distribution and to avoid axial displacement. The cage is manufactured in the form of two washers with spacers, which have the function of rollers' axis.

The bearings of 5000, 3005000, 15000, 3015000 series are supplied in units, with outer inner ring (35000 series) or without inner and outer rings (65000 series). The designation of bearings 35000 and 65000 series is determined by the manufacturer.

In cases of application of bearings without inner ring or without rings shaft and housing surface hardness must be within the limits of 46 ... 51 HRC.

Roller bearings with spiral round rollers are applied in low-speed units not demanding running accuracy; on roller conveyers of rolling mills, in agricultural machine units, on transmission shafts of metallurgical equipment.

**Roller bearings with spiral round rings** ПБК type are formed of inner and outer spiral wound ring, inseparable cage with the set of integral cylindrical rollers and two attached rings.

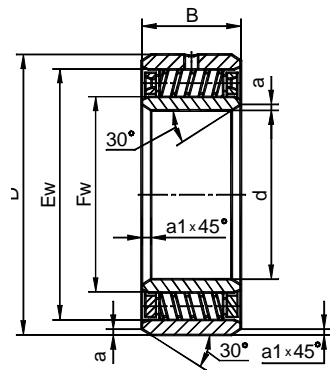
They can accommodate only radial load.

These bearings are applied in rollers of devices for bloom and slab continuous casting in metallurgical industry.

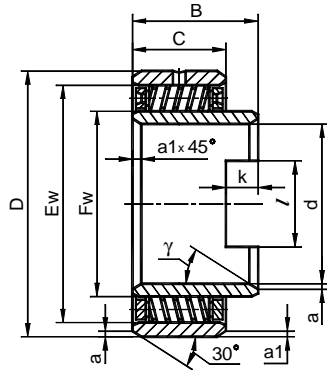
Spiral round rings compensate shaft and housing thermal expansion, thus providing profile casting pre-set accuracy.



**ПОДШИПНИКИ РОЛИКОВЫЕ С ВИТЫМИ РОЛИКАМИ**



**5000, 3005000**



**15000, 3015000**

**ТИП 5000, 15000, 3005000, 3015000**

Размеры, мм Dimensions, mm										γ град.	Условное обозначение подшипника Bearing designation	
d	D	B	C	Fw	Ew	k	l	a	a1			
50,000	90,000	44,000		60,000	80,000			2,0	0,5			5210
50,000	90,000	44,000		59,630	80,000			2,0	0,5			5210K
60,000	110,000	49,000		75,000	100,000			2,5	0,5			5212
75,000	130,000	67,000		90,000	115,000			2,5	0,5			5215
80,000	140,000	67,000		95,000	125,000			3,0	0,5			5216
85,000	150,000	70,000		100,000	135,000			3,0	0,5			5217
90,000	160,000	52,400		107,950	142,500			3,0	0,5			3005218
90,000	160,000	70,000		110,000	145,000			3,0	0,5			5218
100,000	180,000	60,000		120,000	160,000			3,5	0,8			3005220
100,000	180,000	82,000		120,000	160,000			3,5	0,8			5220
100,000	180,000	92,000	60,000	120,000	160,000	9,50	28,500	3,5	0,8	45		3015220
110,000	200,000	89,000		135,000	180,000			3,5	0,8			5222
120,000	215,000	98,000		145,000	190,000			4,0	0,8			5224
125,000	230,000	120,000	80,000	154,600	205,400	11,00	26,000	5,0	2,0	45		15725
150,000	270,000	120,000		180,000	240,000			4,5	1,0			5230
160,000	290,000	124,000		195,000	255,000			5,0	1,0			5232
160,000	290,000	170,000	124,000	195,000	255,000	15,00	40,000	5,0	1,0	30		15832
163,000	290,000	139,700	98,000	193,670	253,670	11,50	38,900	6,0	1,2	45		15933
180,000	320,000	149,000		215,000	285,000			5,0	1,0			5236
180,000	320,000	215,000	149,000	215,000	285,000	10,00	45,000	5,0	1,0	30		15236
200,000	340,000	175,000		235,000	305,000			6,0	1,2			5740
200,000	340,000	240,000	175,000	235,000	305,000	15,00	40,000	6,0	1,2	30		15740
220,000	380,000	175,000		265,000	335,000			8,0	2,0			5744
220,000	380,000	240,000	175,000	265,000	335,000	15,00	40,000	8,0	2,0	45		15744
280,000	420,000	127,000		315,000	385,000			4,0	3,0			5756



**ROLLER BEARINGS WITH SPIRAL ROUND ROLLERS**

Подшипники с витыми роликами воспринимают только радиальные нагрузки, не фиксируя вал в осевом направлении. Могут воспринимать ударные нагрузки и малочувствительны к загрязнению.

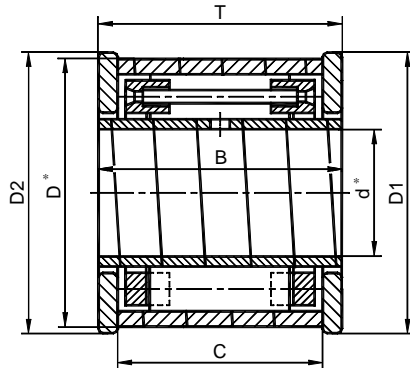
Roller bearings with spiral wound rollers or spiral round rollers are designed to carry only radial loads not fixing the shaft in axial direction. They can accommodate shock loads and small ingress of foreign particles.

**SERIES 5000, 15000, 3005000, 3015000**

Грузоподъемность, Н Basic load ratings, N		Масса, кг Mass, kg	Условное обозначение подшипника Bearing designation	Завод-изготовитель Manufacturer	
динамич. dynamic	статич. static				
C	Co	m	ЕПК ЕВС	Международное International	
31000	77600	1,260	5210	50F2	ППЗ-1
31000	77600	1,300	5210K		ППЗ-1
42400	106100	2,110	5212	60F2	ППЗ-1
72900	183000	3,860	5215	75F2	ППЗ-1
76800	192700	4,210	5216	80F2	ППЗ-1
75000	186700	5,100	5217	85F2	ППЗ-1
64700	162300	4,800	3005218		ППЗ-1
89500	224400	6,030	5218	90F2	ППЗ-1
74200	186100	6,900	3005220	100F1	ППЗ-1
113300	284000	8,980	5220	100F2	ППЗ-1
74200	186100	9,410	3015220		ППЗ-1
141600	354900	11,900	5222	110F2	ППЗ-1
168900	423100	14,800	5224	120F2	ППЗ-1
136000	341100	16,800	15725	125P1	ППЗ-1
248000	621400	29,800	5230	150F2	ППЗ-1
282400	707800	35,900	5232	160F2	ППЗ-1
283100	709600	41,100	15832	160P	ППЗ-1
744800	1256700	33,900	15933	163N1	ППЗ-1
378800	949500	52,200	5236	180F	ППЗ-1
379800	949500	57,700	15236	180P	ППЗ-1
498000	1249000	67,800	5740	200F2	ППЗ-1
498000	1249800	73,800	15740	200P	ППЗ-1
541900	1362100	87,300	5744	220F1	ППЗ-1
538800	1351700	96,000	15744	220P	ППЗ-1
445400	1121600	61,200	5756	280F	ППЗ-1

Возможные неточности и опечатки не могут являться основанием для юридических претензий  
No liability can be accepted for any errors and omissions

**ПОДШИПНИКИ РОЛИКОВЫЕ С ЦИЛИНДРИЧЕСКИМИ РОЛИКАМИ С ВИТЫМИ КОЛЬЦАМИ**



ТИП ПВК							Условное обозначение подшипника Bearing designation
Размеры, мм Dimensions, mm							
d	D	B	C	D1	D2	T	
37,500	73,500	57,000	47,000	71,000	75,000	57,000	<b>ПВК 40/71-864909Т4</b>
37,500	73,500	80,000	70,000	75,000	75,000	80,000	<b>ПВК 40/71-864809Т4</b>

\* – размеры на валу и в корпусе  
\* – dimensions on the shaft and in the housing

**ROLLER BEARINGS WITH CYLINDRICAL ROLLERS AND WINDING RINGS**

Воспринимают только радиальную нагрузку. Применяются в валах устройств для непрерывного литья блюмов и слямов в металлургической промышленности.

These bearings can accommodate only radial load. They are applied in rollers of devices for bloom and slab continuous casting in metallurgical industry.

SERIES ПВК		
Масса, кг Mass, kg	Условное обозначение подшипника Bearing designation	Завод-изготовитель Manufacturer
m	<b>ЕПК</b> <b>ЕВС</b> Международное International	
0,980 1,350	<b>ПВК 40/71-864909Т4</b> <b>ПВК 40/71-864809Т4</b>	ВПЗ-15 ВПЗ-15

Возможные неточности и опечатки не могут являться основанием для юридических претензий  
No liability can be accepted for any errors and omissions



## TAPER ROLLER BEARINGS

Taper roller bearings are intended for accommodation of radial and axial loads acting simultaneously. The ability to accommodate axial load is determined by the contact angle of the outer ring raceway. As this angle gets larger, larger is the axial load carrying capacity and smaller is the radial load carrying capacity.

These bearings are produced of the following types:

- single-row (series 7000);
- double-row (series 97000, 847000, 537000);
- four-row (series 77000);
- with flange on outer ring (series 67000, 697000);
- with large contact angle (series 27000).

Taper roller bearings, except for double-row bearings with integral seals and several special bearing designs, are separable bearings, this permits to facilitate mounting and dismounting of inner and outer rings with roller assembly.

The bearings are produced with metric (in «minus») and with inch (in «plus») tolerance systems.

Limited deviations of fitting surfaces and running accuracy of bearings with metric size system are shown in GOST 520 tables. Bearings of the corresponding tolerance class of the inch size system are marked by «@» symbol. If you need additional information about accuracy of these bearings phone the Chief Constructor Department of the Volzhsky Bearing Plant: (+7 8443) 221 979, 221 519, 221 659.



## SINGLE-ROW TAPER ROLLER BEARINGS

These bearings are intended for accommodation of radial and single direction axial loads. The contact angle of the outer ring raceway (except for bearings of 27000 series) is  $\alpha = 10^\circ \dots 17^\circ$ . Permissible axial load is  $F_{a0,7Fr'}$  ( $Fr'$  – unused permissible radial load). These bearings demand fine axial clearance adjustment in mounting and operation.

Bearings with the contact angle  $\alpha \geq 20^\circ$  (series 27000) are applied when high axial loads act simultaneously with heavy radial loads. Permissible axial load is  $F_{a1,5Fr'}$ .

Applications of single-row taper roller bearings with flange on outer ring (67000 series) permit to simplify bearing unit design, to reduce its metal consumption and to facilitate finishing of fitting bores in the housing.

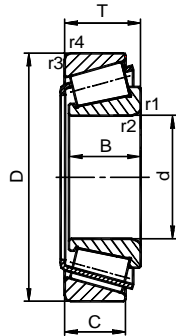
Bearings without inner rings (877000, 977000 series) are applied for reduction of radial unit dimensions. The raceway is machined directly on the shaft. Hardness and accuracy of the raceway surface must be the same as that of the corresponding bearing ring.

Single-row taper roller bearings are produced with tolerance classes 0, 6 and 5 with pressed cage of steel sheet and are intended for general engineering and automotive industry.





ПОДШИПНИКИ РОЛИКОВЫЕ КОНИЧЕСКИЕ ОДНОРЯДНЫЕ



ТИП 7000, 807000, 1007000, 2007000, 3007000

Размеры, мм Dimensions, mm								Коэффициент нагрузки Load ability factors			Условное обозначение подшипника Bearing designation
d	D	T	B	C	r1,2 min	r3,4 min	e	Y	Yo		
15,000	35,000	11,750	11,000	9,000	0,6	0,6	0,45	1,33	0,73	7202	
17,000	40,000	13,250	12,000	11,000	1,0	1,0	0,31	1,97	1,05	7203	
17,000	40,000	13,250	12,000	11,000	1,0	1,0	0,35	1,70	0,90	7203A1	
17,000	47,000	15,250	14,000	12,000	1,0	1,0	0,35	1,70	0,96	147303A	
⊕ 17,462	⊕ 39,878	13,843	14,605	10,670	1,3	1,3	0,28	2,10	1,10	7703A	
⊕ 19,050	⊕ 45,237	15,494	16,637	12,065	1,3	1,3	0,30	2,00	1,10	7804Y	
19,050	45,251	15,494	16,640	12,060	1,2	1,2	0,30	2,00	1,10	7804Y	
20,000	42,000	15,000	15,000	12,000	0,6	0,6	0,37	1,60	0,90	2007104A	
20,000	47,000	15,250	14,000	12,000	1,0	1,0	0,35	1,70	0,90	7204A	
20,000	52,000	16,250	15,000	13,000	1,5	1,5	0,30	2,00	1,10	7304A	
25,000	47,000	15,000	15,000	11,500	0,6	0,6	0,43	1,40	0,80	2007105A	
25,000	47,000	17,000	17,000	14,000	0,6	0,6	0,29	2,10	1,10	3007105A	
25,000	52,000	16,250	15,000	13,000	3,0	1,0	0,37	1,60	0,90	137205A1	
25,000	52,000	16,250	15,000	13,000	3,0	1,0	0,37	1,60	0,90	137205A	
25,000	52,000	16,250	15,000	13,000	1,0	1,0	0,37	1,60	0,90	7205A1	
25,000	52,000	16,250	15,000	13,000	1,0	1,0	0,37	1,60	0,90	7205A	
25,000	52,000	22,000	22,000	18,000	1,0	1,0	0,35	1,70	0,90	3007205A	
25,000	62,000	18,250	17,000	15,000	1,5	1,5	0,30	2,00	1,10	7305A	
25,000	62,000	25,250	24,000	20,000	1,5	1,5	0,30	2,00	1,10	7605A	
⊕ 25,400	⊕ 50,292	14,224	14,732	10,668	1,3	1,3	0,37	1,60	0,90	2007405A1	
26,000	57,150	17,462	17,462	14,000	3,2	1,3	0,35	1,73	0,95	7805Y	
⊕ 26,988	⊕ 50,292	14,224	14,732	10,668	3,5	1,3	0,37	1,60	0,90	2007406A1	
28,000	52,000	16,000	16,000	12,000	1,0	1,0	0,43	1,40	0,80	20071/28A	
28,000	58,000	17,250	16,000	14,000	3,0	1,1	0,40	1,50	0,82	7706	
28,000	67,000	20,500	20,500	16,000	0,8	1,3	0,40	1,50	0,82	7705A	
⊕ 29,000	⊕ 50,292	14,224	14,732	10,668	3,5	1,3	0,37	1,60	0,90	7006A	
30,000	55,000	17,000	17,000	13,000	1,0	1,0	0,43	1,40	0,80	2007106A	

⊕ – исполнение посадочных поверхностей соответствует дюймовой системе допусков (отклонение в плфс)  
⊕ – design of fitting surfaces complies with inch system of tolerances (deviation with plus)



SINGLE-ROW TAPER ROLLER BEARINGS

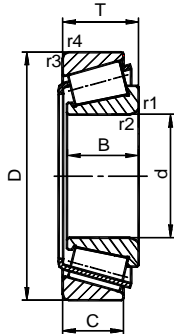
Предназначены для восприятия радиальных и односторонних осевых нагрузок. Угол контакта дорожки качения наружного кольца  $\alpha=10^{\circ}\dots 17^{\circ}$ . Допустимая осевая нагрузка  $F_{a}\leq 0,7Fr'$  ( $Fr'$  – неиспользованная допустимая радиальная нагрузка). При монтаже и эксплуатации требуют тщательной регулировки осевых зазоров.

These bearings are designed to accommodate radial and single direction axial loads. The contact angle of the outer ring raceway  $\alpha=10^{\circ}\dots 17^{\circ}$ . Permissible axial load  $F_{a}\leq 0.7Fr'$  ( $Fr'$  – unused permissible load). These bearings require fine axial clearance adjustment in mounting and operation.

SERIES 7000, 807000, 1007000, 2007000, 3007000

Грузоподъемность, Н Basic load ratings, N		Предельное число оборотов, об/мин Limiting speeds, n/min		Масса, кг Mass, kg	Условное обозначение подшипника Bearing designation			Завод-изготовитель Manufacturer
динамич. dynamic	статич. static	при смазке lubrication			EПК EBC	Международное International	ISO 355 ISO 355	
C	Co	пласт. grease	жидк. oil	m				
12200	11400	10000	14000	0,054	7202	30202X		ГПЗ-1
19000	18600	9000	13000	0,070	7203	30203X		ГПЗ-1
19000	18600	9000	13000	0,083	7203A1	30203	SKF	T2DB017
27700	28200	8000	11000	0,137	147303A			ВПЗ-15
22900	23100	9000	13000	0,085	7703A	⊕ LM11749/LM11710	TIMKEN	ВПЗ-15
27500	27500	8500	12000	0,120	7804Y	⊕ LM11949/LM11910	TIMKEN	ВПЗ-15
28000	28500	9000	13000	0,129	7804Y	K-LM11949/K-LM11910		ГПЗ-1
27000	30200	9000	13000	0,104	2007104A	32004X	SKF	T3CC020
27700	28200	8000	11000	0,127	7204A	30204	SKF	T2DB020
34300	32700	8000	11000	0,165	7304A	30304	SKF	T2FB020
30000	36200	8000	11000	0,115	2007105A	32005X	SKF	T4CC025
34000	43000	8000	11000	0,135	3007105A	33005Jg	KBC	T2CE025
34500	38100	7500	10000	0,156	137205A1			ВПЗ-15
30800	33500	7500	10000	0,156	137205A			ГПЗ-1
34500	38100	7500	10000	0,156	7205A1	30205	SKF	T3CC025
32000	35000	7500	10000	0,156	7205A	30205A		ГПЗ-1
49000	62700	7500	10000	0,225	3007205A	33205	SKF	T2DE025
48200	46900	6700	9000	0,272	7305A	30305	SKF	T2FB025
64900	69200	6000	8000	0,383	7605A	32305	SKF	T2FD025
26000	30000	7500	10000	0,133	2007405A1	⊕ L44643/L44610	TIMKEN	ВПЗ-15
40100	46300	7500	10000	0,226	7805Y			ГПЗ-1, ВПЗ-15
26000	30000	7500	10000	0,125	2007406A1	⊕ L44649/L44610	TIMKEN	ВПЗ-15
35600	43300	7000	9500	0,145	20071/28A	320/28X	SKF	T4CC028
32900	35700	6300	8000	0,205	7706	HR302/28	NSK	ВПЗ-15
57700	68300	6300	8000	0,375	7705A			ВПЗ-15
28500	36900	7000	9500	0,114	7006A	⊕ L45449/L45410	TIMKEN	ВПЗ-15
37400	49600	6700	9000	0,179	2007106A	32006X	SKF	T4CC030

Возможные неточности и опечатки не могут являться основанием для юридических претензий  
No liability can be accepted for any errors and omission



ТИП 7000, 807000, 1007000, 2007000, 3007000

Размеры, мм Dimensions, mm							Коэффициент нагрузки Load ability factors			Условное обозначение подшипника Bearing designation
d	D	T	B	C	r1,2 min	r3,4 min	e	Y	Yo	
30,000	62,000	17,250	16,000	14,000	1,0	1,0	0,37	1,60	0,90	7206A
30,000	62,000	17,250	16,000	14,000	1,0	1,0	0,37	1,60	0,90	7206A
30,000	62,000	21,250	20,000	17,000	1,0	1,0	0,37	1,60	0,90	7506A
30,000	72,000	20,750	19,000	16,000	1,5	1,5	0,31	1,90	1,10	7306A
30,000	72,000	28,750	27,000	23,000	1,5	1,5	0,31	1,90	1,10	7606A
Ⓢ 30,162	Ⓢ 64,292	21,433	21,433	16,670	1,5	1,5	0,38	1,60	0,88	7106P
30,174	64,316	21,250	20,000	17,000	1,1	1,1	0,37	1,60	0,88	7406A
30,238	63,527	20,250	20,500	17,000	1,0	2,5	0,37	1,62	0,89	7906
Ⓢ 31,750	Ⓢ 59,131	15,875	16,760	11,810	3,56	1,3	0,41	1,46	0,80	7906A1
Ⓢ 31,750	Ⓢ 62,000	18,161	19,050	14,288	3,56	1,3	0,35	1,71	0,90	1007706A
Ⓢ 31,750	Ⓢ 69,012	19,845	19,583	15,875	3,5	1,3	0,38	1,57	0,86	1007806A
32,000	72,000	29,750	28,500	15,000	5,0	1,5	0,37	1,60	0,88	7806A
33,000	62,000	16,000	16,500	12,000	2,5	1,8	0,36	1,67	0,92	7707Y
Ⓢ 33,338	Ⓢ 68,262	22,225	22,225	17,462	0,8	1,5	0,54	1,10	0,60	3007306
Ⓢ 34,925	Ⓢ 65,088	18,034	18,288	13,970	3,6	1,3	0,40	1,50	0,82	7907AK
34,938	73,030	26,987	26,975	22,225	1,8	1,3	0,37	1,62	0,89	7807Y
Ⓢ 34,988	Ⓢ 59,131	15,875	16,764	11,938	3,5	1,3	0,43	1,40	0,80	2007707A1
Ⓢ 34,988	Ⓢ 59,975	15,875	16,764	11,938	3,56	1,3	0,43	1,40	0,80	2007407A1
35,000	60,000	15,875	18,461	11,938	2,0	1,3	0,43	1,40	0,80	2007407A1K
35,000	62,000	16,700	17,000	13,600	3,56	1,5	0,44	1,35	0,70	2007807A
35,000	62,000	16,700	17,000	13,600	3,6	1,5	0,45	1,30	0,70	2007807AK
35,000	62,000	18,000	18,000	14,000	1,0	1,0	0,46	1,30	0,70	2007107A
35,000	65,000	18,000	18,300	14,000	1,1	1,1	0,40	1,49	0,82	7407A
35,000	72,000	18,250	17,000	15,000	1,9	1,5	0,37	1,60	0,90	7207A
35,000	72,000	18,250	17,000	15,000	1,5	1,5	0,37	1,60	0,90	7207A
35,000	72,000	24,250	23,000	19,000	1,5	1,5	0,37	1,60	0,88	7507A1
35,000	80,000	22,750	21,000	18,000	2,0	1,5	0,31	1,90	1,10	7307A1
35,000	80,000	22,750	21,000	18,000	2,0	1,5	0,31	1,90	1,10	7307A
35,000	80,000	32,750	31,000	25,000	2,0	1,5	0,31	1,90	1,10	7607A
Ⓢ 36,512	Ⓢ 76,200	29,370	28,575	23,020	0,8	3,3	0,37	1,60	0,89	7107P

Ⓢ – исполнение посадочных поверхностей соответствует дюймовой системе допусков (отклонение в плфс)  
Ⓢ – design of fitting surfaces complies with inch system of tolerances (deviation with plus)

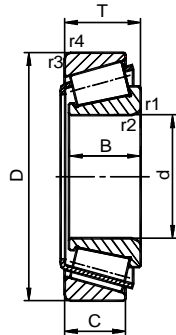
Предназначены для восприятия радиальных и односторонних осевых нагрузок. Угол контакта дорожки качения наружного кольца  $\alpha=10^\circ...17^\circ$ . Допустимая осевая нагрузка  $F_{a\leq 0,7Fr}$  ( $Fr$  – неиспользованная допустимая радиальная нагрузка). При монтаже и эксплуатации требуют тщательной регулировки осевых зазоров.

These bearings are designed to accommodate radial and single direction axial loads. The contact angle of the outer ring raceway  $\alpha=10^\circ...17^\circ$ . Permissible axial load  $F_{a\leq 0.7Fr}$  ( $Fr$  – unused permissible load). These bearings require fine axial clearance adjustment in mounting and operation.

SERIES 7000, 807000, 1007000, 2007000, 3007000

Грузоподъемность, Н Basic load ratings, N		Предельное число оборотов, об/мин Limiting speeds, n/min		Масса, кг Mass, kg	Условное обозначение подшипника Bearing designation			Завод-изготовитель Manufacturer	
динамич. dynamic	статич. static	при смазке lubrication			ЕПК ЕВС	Международное International	ISO 355 ISO 355		
C	Co	пласт. grease	жидк. oil	m					
41000	44200	6300	8500	0,232	7206A	30206	SKF	T3DB030	ВПЗ-15
44000	49000	6300	8500	0,238	7206A	30206A			ГПЗ-1
55000	64700	6300	8500	0,295	7506A	32206	SKF	T3DC030	ВПЗ-15
62000	63500	5600	7500	0,409	7306A	30306	SKF	T2FB030	ВПЗ-15
80800	89500	5300	7000	0,559	7606A	32306	SKF	T2FD030	ВПЗ-15
55000	64700	6000	8000	0,330	7106P	Ⓢ M86649/M86610	TIMKEN		ВПЗ-15
55000	64700	6300	8000	0,309	7406A				ВПЗ-15
49000	55000	6000	7500	0,320	7906				ГПЗ-1
37200	45300	6300	8500	0,191	7906A1	Ⓢ LM67048/LM67010	TIMKEN		ВПЗ-15
49300	56800	6000	8000	0,248	1007706A	Ⓢ 15123/15245	TIMKEN		ВПЗ-15
53000	64300	5600	7500	0,366	1007806A	Ⓢ 14125A/14276	TIMKEN		ВПЗ-15
52100	56700	5300	7000	0,444	7806A				ВПЗ-15
39500	46800	5000	6300	0,212	7707Y				ВПЗ-15
53000	64300	5600	7500	0,367	3007306	Ⓢ M88048-M88010	TIMKEN		ВПЗ-15
46100	58300	5600	7500	0,263	7907AK	Ⓢ LM48548/LM48510	TIMKEN		ВПЗ-15
76600	92800	4800	6000	0,540	7807Y				ВПЗ-15
36300	49400	6000	8000	0,179	2007707A1	Ⓢ K-L68149/K-L68110	SKF		ВПЗ-15
33800	45100	6000	8000	0,187	2007407A1	Ⓢ L68149/L68111	TIMKEN		ВПЗ-15
36300	49400	5000	8000	0,192	2007407A1K	Ⓢ JL68145/JL68111	TIMKEN		ВПЗ-15
41600	55800	6000	8000	0,215	2007807A	Ⓢ LM78349/LM78310A	TIMKEN		ВПЗ-15
44300	55400	6000	8000	0,212	2007807AK	Ⓢ LM78349/LM78310A	TIMKEN		ВПЗ-15
44300	55400	6000	8000	0,223	2007107A	32007X	SKF	T4CC035	ВПЗ-15
46100	58300	4500	6000	0,263	7407A				ВПЗ-15
52100	56700	5300	7000	0,329	7207A	30207	SKF	T3DB035	ВПЗ-15
54000	60000	5300	7000	0,330	7207A	30207A			ГПЗ-1
72900	87800	5300	7000	0,458	7507A1	32207	SKF	T3DC035	ВПЗ-15
78000	81400	5000	6700	0,536	7307A1	30307	SKF	T2FB035	ВПЗ-15
73500	76500	5000	6700	0,550	7307A	30307A			ГПЗ-1
105000	120000	4800	6300	0,758	7607A	32307	SKF	T2FE035	ГПЗ-1, ВПЗ-15
76600	92800	4800	6300	0,616	7107P				ВПЗ-15

Возможные неточности и опечатки не могут являться основанием для юридических претензий  
No liability can be accepted for any errors and omission



ТИП 7000, 807000, 1007000, 2007000, 3007000

Размеры, мм Dimensions, mm							Коэффициент нагрузки Load ability factors			Условное обозначение подшипника Bearing designation
d	D	T	B	C	r1,2 min	r3,4 min	e	Y	Yo	
⊕ 36,513	80,000	29,370	29,771	23,813	0,8	0,8	0,32	1,90	1,05	7007A
38,000	63,000	17,000	17,000	13,500	3,6	1,3	0,42	1,44	0,79	20070/38A
40,000	68,000	19,000	19,000	14,500	1,0	1,0	0,37	1,60	0,90	2007108A
40,000	80,000	19,750	18,000	16,000	1,5	1,5	0,37	1,60	0,90	7208A1
40,000	80,000	19,750	18,000	16,000	1,5	1,5	0,37	1,60	0,90	7208A
40,000	80,000	24,750	23,000	19,000	1,5	1,5	0,37	1,60	0,90	7508A
40,000	80,000	24,750	23,000	19,000	1,5	1,5	0,37	1,60	0,90	7508A
40,000	85,000	33,000	32,500	28,000	2,5	2,0	0,35	1,70	0,90	7808A
40,000	90,000	35,250	33,000	27,000	2,0	1,5	0,35	1,70	0,90	7608A1
40,000	90,000	35,250	33,000	27,000	2,0	1,5	0,35	1,70	0,90	7608A
40,000	90,000	35,250	33,000	27,000	2,0	3,5	0,35	1,70	0,90	7608A1
⊕ 40,987	⊕ 67,975	17,500	18,000	13,500	1,5	1,5	0,35	1,72	0,95	2007808A
⊕ 44,450	⊕ 82,931	23,812	25,400	19,050	3,5	0,8	0,33	1,79	1,00	7009A
44,461	83,082	24,750	23,000	19,000	1,3	1,3	0,40	1,51	0,83	7409A
45,000	75,000	20,000	19,000	16,000	1,0	1,0	0,30	1,99	1,10	2007109
45,000	75,000	20,000	20,000	15,500	1,0	1,0	0,40	1,50	0,80	2007109A
45,000	85,000	20,750	19,000	16,000	1,5	1,5	0,40	1,50	0,80	7209A1
45,000	85,000	20,750	19,000	16,000	1,5	1,5	0,40	1,50	0,80	7209A1
45,000	85,000	24,750	23,500	20,000	2,0	0,3	0,40	1,51	0,83	127509AK
45,000	85,000	24,750	23,500	20,000	2,0	0,3	0,40	1,51	0,83	127509AK
45,000	85,000	24,750	23,000	19,000	1,5	1,5	0,40	1,50	0,80	7509A
45,000	90,000	38,250	40,000	32,500	2,0	2,0	0,29	2,06	1,13	7809A
45,000	100,000	27,250	25,000	22,000	2,0	1,5	0,35	1,70	0,90	7309A1
45,000	100,000	38,250	36,000	30,000	2,0	1,5	0,35	1,70	0,90	7609A
45,000	100,000	38,250	36,000	30,000	1,5	2,0	0,35	1,70	0,90	7609A
⊕ 45,230	⊕ 79,985	19,842	20,638	15,080	2,0	1,3	0,30	2,00	1,10	7109P
⊕ 45,242	⊕ 73,431	19,558	19,812	15,748	3,5	0,8	0,30	2,00	1,10	1007409
⊕ 45,242	⊕ 77,788	19,842	19,842	15,080	3,5	0,8	0,30	1,99	1,10	2007809
⊕ 46,000	⊕ 75,000	18,000	18,000	14,000	2,3	1,5	0,30	2,00	1,10	2007409
47,000	100,000	42,750	43,000	36,000	2,0	2,0	0,31	1,94	1,06	7909K1
50,000	82,000	21,500	21,500	17,000	2,3	1,3	0,30	2,00	1,10	7710A

⊕ – исполнение посадочных поверхностей соответствует дюймовой системе допусков (отклонение в плус)  
⊗ – design of fitting surfaces complies with inch system of tolerances (deviation with plus)

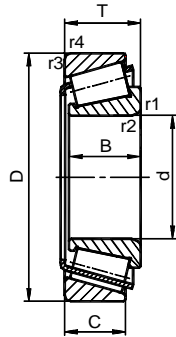
Предназначены для восприятия радиальных и односторонних осевых нагрузок. Угол контакта дорожки качения наружного кольца  $\alpha=10^\circ...17^\circ$ . Допустимая осевая нагрузка  $F_{a0.7Fr}$  ( $F_r$  – неиспользованная допустимая радиальная нагрузка). При монтаже и эксплуатации требуют тщательной регулировки осевых зазоров.

These bearings are designed to accommodate radial and single direction axial loads. The contact angle of the outer ring raceway  $\alpha=10^\circ...17^\circ$ . Permissible axial load  $F_{a0.7Fr}$  ( $F_r$  – unused permissible load). These bearings require fine axial clearance adjustment in mounting and operation.

SERIES 7000, 807000, 1007000, 2007000, 3007000

Грузоподъемность, Н Basic load ratings, N		Предельное число оборотов, об/мин Limiting speeds, n/min		Масса, кг Mass, kg	Условное обозначение подшипника Bearing designation			Завод-изготовитель Manufacturer
динамич. dynamic	статич. static	при смазке lubrication			ЕПК ЕВС	Международное International	ISO 355 ISO 355	
C	Co	пласт. grease	жидк. oil	m				
105000	120000	4800	6300	0,700	7007A	1173391EC8944-50	IBO	ВПЗ-15
40400	57000	6000	8000	0,204	20070/38A	JL69349/JL69310	TIMKEN	ВПЗ-15
51800	70900	5300	7000	0,278	2007108A	32008X	SKF	ТПЗ-1, ВПЗ-15
64700	72000	4800	6300	0,423	7208A1	30208	SKF	T3CD040
62000	68000	4800	6300	0,430	7208A	30208A		ВПЗ-15
76900	89900	4800	6300	0,541	7508A	32208	SKF	T3DB040
80000	95000	4800	6300	0,548	7508A	32208A		ВПЗ-1
123000	157000	4500	6000	0,916	7808A	T2EE040	SKF	T3DC040
124000	152000	4000	5300	1,074	7608A1	32308	SKF	ВПЗ-15
91500	102000	4000	5300	1,070	7608A	32308A		ВПЗ-1
120000	140000	4000	5300	1,070	7608A1	32208A		ВПЗ-1
47100	66100	5300	7000	0,257	2007808A	⊗ LM300849/LM300811	TIMKEN	ВПЗ-15
81500	109000	4500	6000	0,577	7009A	⊗ 25580/25520	TIMKEN	ВПЗ-15
83100	101000	4500	6000	0,556	7409A			ВПЗ-15
58300	80000	4800	6300	0,330	2007109	32009X		ВПЗ-1
62100	88400	4800	6300	0,340	2007109A	32009X	SKF	T3CC045
73700	87600	4500	6000	0,482	7209A1	30209	SKF	T3DB045
71000	83000	4500	6000	0,480	7209A1	30209A		ВПЗ-15
72100	93900	4500	6000	0,614	127509AK			ВПЗ-1
80900	98000	4500	6000	0,582	127509AK	32209		ВПЗ-15
86300	107000	4500	6000	0,597	7509A	32209	SKF	T3DC045
140000	160000	3200	4000	1,177	7809A			ВПЗ-1
108000	120000	4000	5300	1,012	7309A1	30309	SKF	T2FB045
151000	187000	3600	4800	1,410	7609A	32309	SKF	ВПЗ-15
156000	193000	3000	4800	1,425	7609A	32309A		ВПЗ-1
53300	68000	4500	6000	0,407	7109P	⊗ 17887/17831	TIMKEN	ВПЗ-15
53300	68000	4000	6300	0,310	1007409	⊗ LM102949/LM102910	TIMKEN	ВПЗ-15
53900	69500	4800	6300	0,371	2007809			ВПЗ-15
53300	68000	4000	6300	0,300	2007409	⊗ LM503349/LM503310	TIMKEN	ВПЗ-15
160000	205000	3200	4000	1,580	7909K1			ВПЗ-15
73900	103000	4500	6000	0,427	7710A	JLM104948/JLM104910	TIMKEN	ВПЗ-15

Возможные неточности и опечатки не могут являться основанием для юридических претензий  
No liability can be accepted for any errors and omission



ТИП 7000, 807000, 1007000, 2007000, 3007000

Размеры, мм Dimensions, mm							Коэффициент нагрузки Load ability factors			Условное обозначение подшипника Bearing designation
d	D	T	B	C	r1,2 min	r3,4 min	e	Y	Yo	
50,000	90,000	21,750	20,000	17,000	1,5	1,5	0,43	1,40	0,80	7210A1
50,000	90,000	21,750	20,000	17,000	1,5	1,5	0,43	1,40	0,80	7210A
50,000	90,000	24,750	23,000	19,000	1,5	1,5	0,43	1,40	0,80	7510A1
50,000	90,000	24,750	23,000	19,000	1,5	1,5	0,43	1,40	0,80	7510A
50,000	90,000	32,000	32,000	24,500	1,5	1,5	0,40	1,50	0,60	3007210A
50,000	110,000	29,250	27,000	23,000	2,5	2,5	0,35	1,70	0,90	7310A1
50,000	110,000	42,250	40,000	33,000	2,5	2,0	0,35	1,70	0,90	7610A1
50,000	110,000	42,250	40,000	33,000	2,5	2,0	0,35	1,70	0,90	7610A
50,811	101,624	34,925	36,070	26,990	0,9	2,3	0,28	2,10	1,10	7410A
52,388	92,075	24,608	25,400	19,845	2,5	2,5	0,38	1,58	0,87	7810A
55,000	90,000	23,000	22,000	19,000	1,5	1,5	0,33	1,80	0,99	2007111
55,000	100,000	22,750	21,000	18,000	2,0	1,5	0,40	1,50	0,80	7211A1
55,000	100,000	22,750	21,000	18,000	2,0	1,5	0,40	1,50	0,80	7211A
55,000	100,000	26,750	25,000	21,000	2,0	1,5	0,40	1,50	0,80	7511A1
55,000	100,000	26,750	25,000	21,000	2,0	1,5	0,40	1,50	0,80	7511A
55,000	120,000	31,500	29,000	25,000	2,5	2,0	0,35	1,70	0,90	7311A
55,000	120,000	45,500	43,000	35,000	2,5	2,0	0,35	1,70	0,90	7611AK
55,000	120,000	45,500	43,000	35,000	2,5	2,0	0,35	1,70	0,90	7611A
60,000	95,000	23,000	23,000	17,500	1,5	1,5	0,43	1,40	0,80	2007112A
60,000	110,000	23,750	22,000	19,000	2,0	1,5	0,40	1,50	0,80	7212A
60,000	110,000	23,750	23,000	19,000	2,0	1,5	0,35	1,71	0,94	7212X1
60,000	110,000	29,750	28,000	24,000	2,0	1,5	0,40	1,50	0,80	7512A1
60,000	110,000	29,750	28,000	24,000	2,0	1,5	0,40	1,50	0,80	7512A
60,000	110,000	38,000	38,000	29,000	2,0	1,5	0,40	1,50	0,80	3007212A
60,000	130,000	33,500	31,000	26,000	3,0	2,5	0,35	1,70	0,90	7312A
60,000	130,000	48,500	46,000	37,000	3,0	2,5	0,35	1,70	0,90	7612A
65,000	90,000	17,000	17,000	14,000	1,0	1,0	0,35	1,70	0,90	2007913A
65,000	100,000	23,000	23,000	17,500	1,5	1,5	0,46	1,30	0,70	2007113A
65,000	100,000	27,000	27,000	21,000	1,5	1,5	0,35	1,70	0,90	3007113A
65,000	110,000	30,250	30,000	24,000	3,0	2,0	0,40	1,50	0,80	807813A
65,000	110,000	30,500	30,000	24,000	3,0	2,0	0,40	1,50	0,80	807813A

@ – исполнение посадочных поверхностей соответствует дюймовой системе допусков (отклонение в плфс)  
 @ – design of fitting surfaces complies with inch system of tolerances (deviation with p/us)

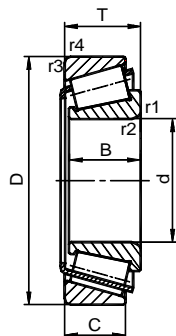
Предназначены для восприятия радиальных и односторонних осевых нагрузок. Угол контакта дорожки качения наружного кольца  $\alpha=10^\circ...17^\circ$ . Допустимая осевая нагрузка  $Fa \leq 0,7Fr'$  ( $Fr'$  – неиспользованная допустимая радиальная нагрузка). При монтаже и эксплуатации требуют тщательной регулировки осевых зазоров.

These bearings are designed to accommodate radial and single direction axial loads. The contact angle of the outer ring raceway  $\alpha=10^\circ...17^\circ$ . Permissible axial load  $Fa \leq 0,7Fr'$  ( $Fr'$  – unused permissible load). These bearings require fine axial clearance adjustment in mounting and operation.

SERIES 7000, 807000, 1007000, 2007000, 3007000

Грузоподъемность, Н Basic load ratings, N		Предельное число оборотов, об/мин Limiting speeds, n/min		Масса, кг Mass, kg	Условное обозначение подшипника Bearing designation			Завод-изготовитель Manufacturer	
динамич. dynamic	статич. static	при смазке lubrication			ЕПК ЕВС	Международное International	ISO 355 ISO 355		
C	Co	пласт. grease	жидк. oil	m					
83100	102000	4300	5600	0,558	7210A1	30210	SKF	T3DB050	ВПЗ-15
80000	96500	4300	5600	0,543	7210A	30210A			ВПЗ-1
91600	116000	4300	5600	0,631	7510A1	32210	SKF	T3DC050	ВПЗ-15
88000	110000	4300	5600	0,630	7510A	32210A			ВПЗ-1
111000	163000	4300	5600	0,869	3007210A	33210	SKF	T3DE050	ВПЗ-15
138000	16000	3600	4800	1,304	7310A1	30310	SKF	T2FE050	ВПЗ-15
187000	238000	3200	4300	1,906	7610A1	32310	SKF	T2FD050	ВПЗ-15
186000	236000	3200	4300	1,890	7610A	32310A			ВПЗ-1
126000	156000	3200	4000	1,240	7410A	@ 529/522	TIMKEN		ВПЗ-15
100000	132000	3200	4000	0,650	7810A	@ 28584/28521	TIMKEN		ВПЗ-15
63000	86000	4000	5300	0,540	2007111	32011X			ВПЗ-1
89700	106000	3800	5000	0,713	7211A1	30211	SKF	T3DB055	ВПЗ-15
91500	108000	3800	5000	0,710	7211A	30211A			ВПЗ-1
107000	132000	3800	5000	0,868	7511A1	32211	SKF		ВПЗ-15
110000	137000	3800	5000	0,851	7511A	32211A			ВПЗ-1
161000	188000	3200	4300	1,640	7311A	30311	SKF	T2FB055	ВПЗ-15
212000	277000	3000	4000	2,379	7611AK	32311	SKF	T2FD055	ВПЗ-15
212000	270000	3000	4000	2,420	7611A	32311A			ВПЗ-1
83000	125000	3600	4800	0,602	2007112A	32012X	SKF	T4CC060	ВПЗ-15
110000	134000	3400	4500	0,919	7212A	30212	SKF	T3EB060	ВПЗ-1, ВПЗ-15
91000	103000	3400	4500	0,890	7212X1	30212X			ВПЗ-1
138000	178000	3400	4500	1,191	7512A1	32212	SKF	T3EC060	ВПЗ-15
134000	170000	3400	4500	1,180	7512A	32212A			ВПЗ-1
173000	245000	3400	4500	1,568	3007212A	33212	SKF	T3EE060	ВПЗ-15
180000	211000	3000	4000	1,930	7312A	30312	SKF	T2FB060	ВПЗ-15
250000	323000	2600	3600	2,980	7612A	32312	SKF	T2FD060	ВПЗ-15
47900	87100	3800	5000	0,340	2007913A	32913	SKF	T2BC065	ВПЗ-15
887000	140000	3400	4500	0,653	2007113A	32013X	SKF	T4CC065	ВПЗ-15
96100	162000	3400	4500	0,745	3007113A	33013	SKF	T2CE065	ВПЗ-15
123000	183000	3200	4000	1,164	807813A				ВПЗ-1
128000	198000	3200	4000	1,171	807813A				ВПЗ-15

Возможные неточности и опечатки не могут являться основанием для юридических претензий  
 No liability can be accepted for any errors and omission



ТИП 7000, 807000, 1007000, 2007000, 3007000

Размеры, мм Dimensions, mm							Коэффициент нагрузки Load ability factors			Условное обозначение подшипника Bearing designation
d	D	T	B	C	r1,2 min	r3,4 min	e	Y	Yo	
65,000	120,000	32,750	31,000	27,000	2,0	1,5	0,40	1,50	0,80	7513A1
65,000	120,000	41,000	41,000	32,000	2,0	1,5	0,40	1,50	0,80	3007213A
65,000	140,000	36,000	33,000	28,000	3,0	2,5	0,35	1,70	0,90	7313AK
65,000	140,000	51,000	48,000	39,000	3,0	2,5	0,35	1,70	0,90	7613A1
65,000	140,000	51,000	48,000	39,000	3,0	2,5	0,35	1,70	0,90	7613A
65,000	140,000	51,000	48,000	39,000	3,0	2,5	0,35	1,70	0,90	7613A1
65,000	150,000	53,500	54,000	44,500	2,5	2,5	0,36	1,65	0,90	807713
70,000	110,000	25,000	25,000	19,000	1,5	1,5	0,43	1,40	0,80	2007114A
70,000	115,000	35,000	33,000	31,000	2,0	1,3	0,35	1,72	0,95	7814XM
70,000	125,000	26,250	24,000	21,000	2,0	1,5	0,43	1,40	0,80	7214A
70,000	125,000	26,250	24,000	21,000	2,0	1,5	0,43	1,40	0,80	7214A
70,000	150,000	38,000	35,000	30,000	3,0	2,5	0,35	1,70	0,90	7314A
70,000	150,000	54,000	51,000	42,000	3,0	2,5	0,35	1,70	0,90	7614A
75,000	115,000	25,000	24,000	20,000	1,5	1,5	0,30	1,99	1,10	2007115
75,000	120,000	31,000	29,500	25,000	3,0	2,5	0,44	1,35	0,80	7915A
75,000	130,000	27,250	25,000	22,000	2,0	1,5	0,43	1,40	0,80	7215A1
75,000	130,000	27,250	25,000	22,000	2,0	1,5	0,43	1,40	0,80	7215A
75,000	130,000	33,250	31,000	27,000	2,0	1,5	0,43	1,40	0,80	7515A1
75,000	130,000	33,250	31,000	27,000	2,0	1,5	0,43	1,40	0,80	7515A
75,000	135,000	44,250	45,000	35,000	2,5	2,5	0,40	1,49	0,82	7815A
75,000	135,000	44,250	45,000	35,000	2,5	2,3	0,40	1,49	0,82	7815A
75,000	135,000	44,250	26,000	21,500	1,5	1,5	0,36	1,68	0,90	7819A
75,000	145,000	51,000	51,000	39,000	3,0	2,5	0,35	1,70	0,96	3007015A1
75,000	160,000	40,000	37,000	31,000	3,0	2,5	0,35	1,70	0,90	7315A
75,000	160,000	58,000	55,000	45,000	3,0	2,5	0,35	1,70	0,90	7615A
80,000	110,000	20,000	20,000	16,000	1,0	1,0	0,35	1,71	0,90	2007916A
80,000	125,000	29,000	27,000	33,000	1,5	1,5	0,42	1,42	0,78	2007116A
80,000	140,000	28,250	26,000	22,000	2,5	2,0	0,43	1,40	0,80	7216A
80,000	140,000	35,250	33,000	28,000	2,5	2,0	0,43	1,40	0,80	7516A
85,000	130,000	29,000	29,000	22,000	1,5	1,5	0,44	1,35	0,80	2007117A1
85,000	150,000	30,500	28,000	24,000	1,5	1,5	0,43	1,40	0,80	7217A

@ – исполнение посадочных поверхностей соответствует дюймовой системе допусков (отклонение в плфс)  
 @ – design of fitting surfaces complies with inch system of tolerances (deviation with p/us)

Предназначены для восприятия радиальных и односторонних осевых нагрузок. Угол контакта дорожки качения наружного кольца  $\alpha=10^\circ \dots 17^\circ$ . Допустимая осевая нагрузка  $F_{a0,7Fr}$  ( $Fr$  – неиспользованная допустимая радиальная нагрузка). При монтаже и эксплуатации требуют тщательной регулировки осевых зазоров.

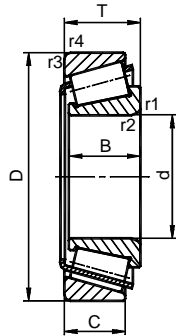
These bearings are designed to accommodate radial and single direction axial loads. The contact angle of the outer ring raceway  $\alpha=10^\circ \dots 17^\circ$ . Permissible axial load  $F_{a0,7Fr}$  ( $Fr$  – unused permissible load). These bearings require fine axial clearance adjustment in mounting and operation.

SERIES 7000, 807000, 1007000, 2007000, 3007000

Грузоподъемность, Н Basic load ratings, N		Предельное число оборотов, об/мин Limiting speeds, n/min		Масса, кг Mass, kg	Условное обозначение подшипника Bearing designation			Завод-изготовитель Manufacturer	
динамич. dynamic	статич. static	при смазке lubrication			EПК EBC	Международное International	ISO 355 ISO 355		
C	Co	пласт. grease	жидк. oil	m					
164000	214000	3000	4000	1,583	7513A1	32213	SKF	T3EC065	ВПЗ-15
202000	274000	2800	3800	1,956	3007213A	33213	SKF	T3EE065	ВПЗ-15
208000	246000	2600	3600	2,480	7313AK	30313	SKF	T2GB065	ВПЗ-15
280000	363000	2400	3400	3,716	7613A1	32313	SKF	T2GB065	ВПЗ-15
270000	345000	2400	3400	3,610	7613A	32313A			ППЗ-1
277000	361000	2400	3400	3,610	7613A1	32313A			ППЗ-1
288000	388000	2000	3200	4,800	807713				ППЗ-1
1100000	1710000	3200	4300	0,881	2007114A	32014X	SKF	T4CC070	ВПЗ-15
151000	145000	2800	3800	1,470	7814XM				ППЗ-1
126000	154000	3000	4000	1,250	7214A	30214	SKF	T3EB070	ВПЗ-15
132000	163000	3000	4000	1,241	7214A	30214A			ППЗ-1
237000	284000	2400	3400	3,020	7314A	30314	SKF	T2GB070	ВПЗ-15
313000	407000	2200	3200	4,410	7614A	32314	SKF	T2GD070	ВПЗ-15
106000	163000	3000	4000	0,910	2007115	32015X			ППЗ-1
148000	227000	2800	3800	1,300	7915A				ВПЗ-15
140000	178000	2800	3800	1,391	7215A1	30215	SKF	T4DB075	ВПЗ-15
137000	170000	2800	3800	1,390	7215A	30215A			ППЗ-1
172000	232000	2600	3600	1,710	7515A1	32215	SKF	T4DC075	ВПЗ-15
170000	228000	2600	3600	1,720	7515A	32215A			ППЗ-1
211000	350000	2000	3200	2,807	7815A				ВПЗ-15
204000	301000	2000	3200	2,610	7815A				ППЗ-1
115000	228000	2200	3200	1,043	7819A				ВПЗ-15
313000	407000	2400	3400	3,672	3007015A1				ВПЗ-15
258000	308000	2200	3200	3,580	7315A	30315	SKF	T2GB075	ВПЗ-15
364000	483000	2000	3000	5,400	7615A	32315	SKF	T2GD075	ВПЗ-15
77000	133000	3200	4300	0,640	2007916A	T2BC080			ВПЗ-15
111000	159000	2600	3600	1,340	2007116A	32016X			ППЗ-1
164000	207000	2400	3400	1,650	7216A	30216	SKF	T3EB080	ВПЗ-15
200000	265000	2400	3400	2,140	7516A	32216			ППЗ-1, ВПЗ-15
141000	223000	2400	3400	1,350	2007117A1	32017X	SKF	T4CC085	ВПЗ-15
180000	228000	2200	3200	2,070	7217A	30217A			ППЗ-1

Возможные неточности и опечатки не могут являться основанием для юридических претензий  
 No liability can be accepted for any errors and omission

ПОДШИПНИКИ РОЛИКОВЫЕ КОНИЧЕСКИЕ ОДНОРЯДНЫЕ



ТИП 7000, 807000, 1007000, 2007000, 3007000

Размеры, мм Dimensions, mm							Коэффициент нагрузки Load ability factors			Условное обозначение подшипника Bearing designation
d	D	T	B	C	r1,2 min	r3,4 min	e	Y	Yo	
85,000	150,000	38,500	36,000	30,000	2,5	2,0	0,43	1,40	0,80	7517A
90,000	140,000	32,000	32,000	24,000	2,0	1,5	0,42	1,43	0,78	2007118A
90,000	140,000	39,000	39,000	32,500	2,0	1,5	0,27	2,20	1,30	3007118A
90,000	160,000	32,500	30,000	26,000	2,5	2,0	0,43	1,40	0,80	7218A
90,000	160,000	42,500	40,000	34,000	2,5	2,0	0,43	1,40	0,80	7518A
90,000	190,000	67,500	64,000	53,000	4,0	3,0	0,35	7,70	1,0	7618A
95,000	152,400	39,687	36,320	30,163	1,5	2,0	0,44	1,36	0,75	127919A
95,000	170,000	45,500	45,500	37,000	3,0	2,5	0,38	1,60	0,86	7519
95,000	170,000	45,500	43,000	37,000	3,0	2,5	0,43	1,40	0,80	7519A1
100,000	150,000	32,000	32,000	24,000	2,0	1,5	0,46	1,30	0,70	2007120A
100,000	180,000	37,000	34,000	29,000	3,0	2,5	0,43	1,40	0,80	7220A1
100,000	180,000	49,000	46,000	39,000	3,0	2,5	0,43	1,40	0,80	7520A
105,000	190,000	39,000	36,000	30,000	3,0	2,5	0,43	1,40	0,80	7221A
⊕ 107,950	⊕ 158,750	23,020	21,438	15,875	3,5	3,3	0,60	1,00	0,60	7921A
110,000	170,000	38,000	38,000	29,000	2,5	2,0	0,43	1,40	0,80	2007122A
110,000	240,000	54,500	50,000	42,000	4,0	3,0	0,35	1,70	1,00	7322A
120,000	165,000	36,000	36,000	30,000	1,5	1,5	0,30	1,97	1,08	3007924A
130,000	230,000	67,750	64,000	54,000	4,0	3,0	0,43	1,40	0,80	7526A
120,000	180,000	38,000	38,000	29,000	2,5	2,0	0,46	1,30	0,70	2007124A
140,000	210,000	45,000	42,000	36,000	2,5	2,0	0,37	1,62	0,89	2007128
140,000	210,000	45,000	45,000	34,000	2,5	2,0	0,46	1,31	0,72	2007128A
150,000	225,000	48,000	48,000	36,000	3,0	2,5	0,46	1,30	0,70	2007130A
150,000	270,000	77,000	73,000	60,000	4,0	3,0	0,43	1,40	0,80	7530A
160,000	240,000	51,000	48,000	41,000	3,0	2,5	0,37	1,62	0,89	2007132
⊕ 165,100	⊕ 336,550	92,075	95,250	69,850	3,3	6,4	0,37	1,62	0,90	7433M
170,000	230,000	38,000	36,000	31,000	2,5	2,0	0,46	1,29	0,71	2007934
170,000	230,000	38,000	35,000	31,000	2,5	2,0	0,46	1,29	0,71	2007934K1
185,000	235,000	39,000	45,000	31,000	2,0	2,0	0,38	1,60	0,86	7737Л
190,000	260,000	45,000	42,000	36,000	2,5	2,0	0,38	1,56	0,86	2007938
190,000	260,000	45,000	45,000	34,000	2,5	2,0	0,45	1,25	0,70	2007938A
190,000	290,000	64,000	64,000	48,000	3,0	2,5	0,29	2,06	1,13	2007138K
⊕ 196,850	⊕ 241,300	23,812	23,017	17,462	0,7	0,7	0,43	1,38	0,76	7939A
240,000	320,000	51,000	48,000	41,000	3,0	2,5	0,45	1,34	0,74	2007948

⊕ – исполнение посадочных поверхностей соответствует дюймовой системе допусков (отклонение в плюс)  
⊕ – design of fitting surfaces complies with inch system of tolerances (deviation with plus)

SINGLE-ROW TAPER ROLLER BEARINGS

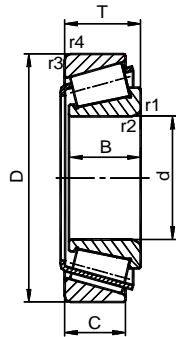
Предназначены для восприятия радиальных и односторонних осевых нагрузок. Угол контакта дорожки качения наружного кольца  $\alpha=10^\circ...17^\circ$ . Допустимая осевая нагрузка  $F_{a0,7Fr}$  ( $Fr$  – неиспользованная допустимая радиальная нагрузка). При монтаже и эксплуатации требуют тщательной регулировки осевых зазоров.

These bearings are designed to accommodate radial and single direction axial loads. The contact angle of the outer ring raceway  $\alpha=10^\circ...17^\circ$ . Permissible axial load  $F_{a0,7Fr}$  ( $Fr$  – unused permissible load). These bearings require fine axial clearance adjustment in mounting and operation.

SERIES 7000, 807000, 1007000, 2007000, 3007000

Грузоподъемность, Н Basic load ratings, N		Предельное число оборотов, об/мин Limiting speeds, n/min		Масса, кг Mass, kg	Условное обозначение подшипника Bearing designation			Завод-изготовитель Manufacturer	
динамич. dynamic	статич. static	при смазке lubrication			ЕПК EBC	Международное International	ISO 355 ISO 355		
C	Co	пласт. grease	жидк. oil	m					
229000	309000	2200	3200	2,657	7517A	32217	SKF	T3EC085	ГПЗ-1, ВПЗ-15
168000	270000	2200	3200	1,720	2007118A	32018X			ГПЗ-1, ВПЗ-1
214000	348000	2200	3200	2,200	3007118A	33018	SKF	T2CE090	ВПЗ-15
208000	268000	2000	3000	2,600	7218A	30218	SKF	T3FB090	ВПЗ-15
263000	361000	2000	3000	3,452	7518A	32218	SKF	T3FC090	ВПЗ-15
490000	655000	1900	2800	8,900	7618A	32318A			ГПЗ-1
194000	305000	2000	3000	2,570	127919A				ГПЗ-1
230000	225000	1900	2800	4,290	7519	32219X			ГПЗ-1
310000	438000	1900	2800	4,209	7519A1	32219	SKF	T3FC95	ВПЗ-15
173000	283000	2000	3000	1,902	2007120A	32020X	SKF	T4CC100	ВПЗ-15
271000	360000	1900	2800	3,780	7220A1	30220	SKF	T3FB100	ВПЗ-15
341000	483000	1800	2600	5,060	7520A	32220	SKF	T3FC100	ВПЗ-15
286000	377000	40000	1800	4,328	7221A	30221	SKF	T3FB105	ВПЗ-15
98300	160000	1900	2800	1,330	7921A	⊕ 37425/37625	TIMKEN		ВПЗ-15
241000	392000	1800	2600	3,080	2007122A	32022X	SKF	T4DC110	ГПЗ-1, ВПЗ-15
503000	626000	1500	2000	11,040	7322A	30322A	FAG	T2GB110	ВПЗ-15
206000	423000	1700	2400	2,330	3007924A				ВПЗ-15
567000	924000	1500	2000	11,830	7526A	32226	SKF	T4FD130	ВПЗ-15
243000	408000	1700	2400	3,250	2007124A	32024X	SKF	T4DC120	ВПЗ-12
292000	476000	1600	2200	5,046	2007128	32028	SKF		ВПЗ-15
330000	585000	1600	2200	5,250	2007128A	32028X			ГПЗ-1
380000	666000	1500	2000	6,460	2007130A	32030X	SKF	T4EC150	ВПЗ-15
735000	1210000	1200	1700	18,640	7530A	32230	SKF	T4GD150	ВПЗ-15
396000	669000	1300	1800	7,919	2007132	32032	SKF		ВПЗ-15
1160000	1730000	800	1000	38,100	7433M	⊕ HH437549/HH437510	TIMKEN		ВПЗ-15
286000	585000	1400	1900	4,400	2007934	32934			ГПЗ-1
228000	437000	1400	1900	4,300	2007934K1	32934	SKF		ВПЗ-15
242000	534000	1250	1600	5,319	7737Л				ВПЗ-15
335000	633000	1100	1600	6,540	2007938	32938	SKF		ВПЗ-15
350000	650000	1100	1600	6,650	2007938A	32938			ГПЗ-1
568000	983000	1000	1500	14,500	2007138K				ВПЗ-15
150000	311000	1000	1250	2,107	7939A	⊕ LL639249/LL639210	TIMKEN		ВПЗ-15
512000	1080000	850	1200	10,900	2007948	32948			ГПЗ-1

Возможные неточности и опечатки не могут являться основанием для юридических претензий  
No liability can be accepted for any errors and omissions



**ТИП 7000, 807000, 1007000, 2007000, 3007000**

Размеры, мм Dimensions, mm							Коэффициент нагрузки Load ability factors			Условное обозначение подшипника Bearing designation
d	D	T	B	C	r1,2 min	r3,4 min	e	Y	Yo	
240,000	360,000	76,000	72,000	62,000	4,0	3,0	0,32	1,89	1,04	2007148
240,000	360,000	76,000	76,000	57,000	4,0	3,0	0,32	1,89	1,00	2007148KM
@ 247,560	@ 368,300	63,500	63,500	48,000	6,4	3,3	0,41	1,47	0,81	2007850
@ 257,175	@ 342,900	57,150	57,150	44,450	6,4	3,3	0,35	1,70	0,90	7952A
260,000	360,000	63,500	60,000	51,000	2,5	2,5	0,37	1,62	0,89	2007952A
270,000	310,000	22,000	21,800	19,000	1,3	1,3	0,33	1,82	1,00	7754M
285,000	330,000	24,000	23,000	19,000	1,3	1,3	0,35	1,72	0,95	7757A
@ 304,800	@ 444,500	63,500	61,912	39,688	8,0	1,5	0,37	1,60	0,88	7961
330,000	375,000	24,000	23,400	18,000	1,3	1,3	0,40	1,50	0,90	7866A
@ 415,925	@ 590,550	114,300	114,300	88,900	6,4	6,4	0,33	1,82	1,00	7983
@ 539,750	@ 635,000	50,800	50,800	38,100	6,4	6,4	0,40	1,48	0,81	79/540

@ – исполнение посадочных поверхностей соответствует дюймовой системе допусков (отклонение в плюс)  
 @ – design of fitting surfaces complies with inch system of tolerances (deviation with plus)



Предназначены для восприятия радиальных и односторонних осевых нагрузок. Угол контакта дорожки качения наружного кольца  $\alpha=10^{\circ}\dots17^{\circ}$ . Допустимая осевая нагрузка  $F_{a\leq 0,7Fr'}$  ( $Fr'$  – неиспользованная допустимая радиальная нагрузка). При монтаже и эксплуатации требуют тщательной регулировки осевых зазоров.

These bearings are designed to accommodate radial and single direction axial loads. The contact angle of the outer ring raceway  $\alpha=10^{\circ}\dots17^{\circ}$ . Permissible axial load  $F_{a\leq 0,7Fr'}$  ( $Fr'$  – unused permissible load). These bearings require fine axial clearance adjustment in mounting and operation.

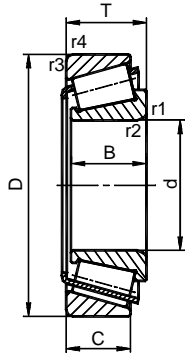
**SERIES 7000, 807000, 1007000, 2007000, 3007000**

Грузоподъемность, Н Basic load ratings, N		Предельное число оборотов, об/мин Limiting speeds, n/min		Масса, кг Mass, kg	Условное обозначение подшипника Bearing designation			Завод-изготовитель Manufacturer
динамич. dynamic	статич. static	при смазке lubrication			ЕПК EBC	Международное International	ISO 355 ISO 355	
C	Co	пласт. grease	жидк. oil	m				
787000	1471000	850	1200	26,000	2007148	32048X	ГПЗ-1	
802000	1500000	850	1200	25,600	2007148KM		ВПЗ-15	
743000	1630000	800	1100	23,318	2007850		ВПЗ-15	
621000	1340000	850	1200	14,640	7952A	@ M349549-M349510	ТИМКЕН ВПЗ-15	
631000	1234000	800	1100	18,400	2007952A	32952	ГПЗ-1	
140000	359000	1000	1400	2,430	7754M		ГПЗ-1	
162000	431000	800	1100	3,160	7757A		ВПЗ-15	
757000	1450000	400	500	30,000	7961	@ EE291201/291750	ТИМКЕН ВПЗ-15	
173000	496000	630	800	3,530	7866A		ВПЗ-15	
2090000	4550000	315	400	95,900	7983	@ M268749-M268710	ТИМКЕН ВПЗ-15	
711000	1820000	315	400	26,720	79/540	@ LL575349/LL575310	ТИМКЕН ВПЗ-15	

Возможные неточности и опечатки не могут являться основанием для юридических претензий  
 No liability can be accepted for any errors and omissions



**ПОДШИПНИКИ РОЛИКОВЫЕ КОНИЧЕСКИЕ ОДНОРЯДНЫЕ С УГЛОМ КОНТАКТА  $\alpha \geq 20^\circ$**



**ТИП 27000, 1027000**

Размеры, мм Dimensions, mm							Коэффициент нагрузки Load ability factors			Условное обозначение подшипника Bearing designation
d	D	T	B	C	r <sub>1,2</sub> min	r <sub>3,4</sub> min	e	Y	Yo	
25,000	62,000	18,250	17,000	13,000	1,5	1,5	0,83	0,72	0,40	1027305A
25,000	62,000	18,250	17,000	13,000	0,6	1,5	0,55	1,10	0,60	27705A
30,000	72,000	20,750	19,000	14,000	2,0	2,0	0,55	1,10	0,60	27706A
30,000	72,000	24,500	24,000	17,600	3,0	1,3	0,59	1,02	0,56	27706K1
30,000	72,000	28,750	29,000	23,000	1,5	1,5	0,55	1,10	0,60	27606A
35,000	70,000	24,250	23,000	18,000	1,5	1,5	0,58	1,03	0,57	27907A
35,000	80,000	32,750	31,000	25,000	2,0	1,5	0,54	1,10	0,60	27607A
38,000	80,000	24,000	22,000	16,000	1,0	1,0	0,83	0,72	0,40	27908A
45,000	100,000	27,250	25,000	18,000	2,0	1,5	0,83	0,72	0,40	27309A
45,000	100,000	31,750	29,000	20,500	1,5	1,5	0,72	0,84	0,46	27709K1
45,000	100,000	31,750	29,000	20,500	1,5	1,5	0,72	0,84	0,46	27709K1Y
50,000	110,000	29,250	27,000	19,000	2,5	2,0	0,83	0,72	0,40	27310HA
53,975	123,825	39,500	36,700	26,000	4,0	2,5	0,87	0,69	0,38	27911A
55,000	115,000	34,000	31,000	23,500	3,0	3,0	0,87	0,69	0,38	27711A1
65,000	140,000	36,000	33,000	28,000	3,0	2,5	0,55	1,10	0,60	27313A1
70,000	140,000	39,000	35,500	27,000	3,0	3,0	0,87	0,69	0,38	27714A1
70,000	150,000	38,000	35,000	25,000	3,0	2,5	0,83	0,72	0,40	1027314A
70,000	150,000	53,500	52,500	41,000	3,0	2,5	0,55	1,10	0,60	827914AY
75,000	150,000	42,000	38,000	29,000	3,0	3,0	0,88	0,68	0,40	27715A
85,000	180,000	44,500	41,000	30,000	4,0	4,0	0,76	0,78	0,43	27317
85,025	200,025	52,200	49,200	34,500	2,5	2,5	0,69	0,87	0,48	7717
90,000	190,000	46,500	43,000	30,000	4,0	3,0	0,83	0,72	0,40	1027318A
96,838	188,912	50,800	46,038	31,750	3,5	3,3	0,87	0,69	0,38	27719A

® - исполнение посадочных поверхностей соответствует дюймовой системе допусков (отклонение в плюс)  
 ® - design of fitting surfaces complies with inch system of tolerances (deviation with plus)



**SINGLE-ROW TAPER ROLLER BEARINGS WITH THE CONTACT ANGLE  $\alpha \geq 20^\circ$**

Применяются при больших осевых нагрузках, действующих одновременно со значительными радиальными нагрузками. Допустимая осевая нагрузка  $Fa \leq 1,5Fr'$  ( $Fr'$  – неиспользованная допустимая радиальная нагрузка).

These bearings are used when large axial loads act simultaneously with heavy radial loads. Permissible axial load is  $Fa \leq 1.5Fr'$  ( $Fr'$  – unused permissible load).

**SERIES 27000, 1027000**

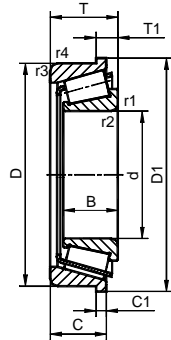
Грузоподъемность, Н Basic load ratings, N		Предельное число оборотов, об/мин Limiting speeds, n/min		Масса, кг Mass, kg	Условное обозначение подшипника Bearing designation			Завод-изготовитель Manufacturer	
динамич. dynamic	статич. static	при смазке lubrication			EПК EBC	Международное International	ISO 355 ISO 355		
C	Co	пласт. grease	жидк. oil	m					
39300	43800	6000	8000	0,258	1027305A	31305	SKF	T7FB025	ВПЗ-15
43700	47300	6000	8000	0,268	27705A				ВПЗ-15
56100	54700	5000	6000	0,370	27706A	30306C	KBC		ВПЗ-15
57000	64000	5000	6000	0,470	27706K1				ГПЗ-1
73500	100000	5300	7000	0,622	27606A				ВПЗ-15
64800	81600	5000	6300	0,426	27907A				ВПЗ-15
96400	126000	4800	6300	0,812	27607A	32307B	SKF	T5FE035	ВПЗ-15
68400	80900	5000	6700	0,552	27908A				ВПЗ-15
96200	109000	4000	5300	0,958	27309A	31309	SKF	T7FB045	ВПЗ-15
100000	110000	3150	4000	1,100	27709K1				ГПЗ-1
100000	110000	3150	4000	1,100	27709K1Y				ГПЗ-1
110000	131000	3200	4300	1,230	27310HA	31310	SKF	T7FB050	ВПЗ-15
156000	205000	3000	4000	2,230	27911A				ВПЗ-15
129000	181000	3000	4000	1,658	27711A1	T7FC055	T7FC055		ВПЗ-15
189000	239000	2600	3600	2,550	27313A1				ВПЗ-15
184000	284000	2200	3200	2,679	27714A1	T7FC070	T7FC070		ВПЗ-15
204000	258000	2400	3400	2,969	1027314A	31314	SKF	T7GB070	ВПЗ-15
300000	425000	2000	3000	4,570	827914AY				ГПЗ-1
205000	295000	2000	3000	3,310	27715A	T7FC075	T7FC075		ВПЗ-15
242000	285000	1700	2400	4,700	27317	31317			ГПЗ-1
1616000	370000	1600	2000	1,540	7717				ГПЗ-1
278000	361000	1700	2400	5,660	1027318A	31318	SKF	T7GB090	ВПЗ-15
298000	437000	1600	2000	6,052	27719A	90381/90744	TIMKEN		ВПЗ-15

Возможные неточности и опечатки не могут являться основанием для юридических претензий  
 No liability can be accepted for any errors and omissions





**ПОДШИПНИКИ РОЛИКОВЫЕ КОНИЧЕСКИЕ  
ОДНОРЯДНЫЕ С БОРТОМ НА НАРУЖНОМ КОЛЬЦЕ**



**ТИП 67000**

Размеры, мм Dimensions, mm										Коэффициент нагрузки Load ability factors			Условное обозначение подшипника Bearing designation
d	D	D1	T	T1	B	C	C1	r1,2 min min	r3,4 min min	e	Y	Yo	
Ⓢ 19,987	Ⓢ 47,000	50,861	14,381	6,038	14,381	11,112	2,769	1,5	1,0	0,35	1,74	0,96	67404AP
20,000	47,000	51,000	15,250	6,250	14,000	12,000	3,000	1,0	1,0	0,36	1,67	0,92	67204A
Ⓢ 25,400	Ⓢ 51,994	55,855	15,011	5,080	14,260	12,700	2,769	1,0	1,0	0,37	1,60	0,88	67405A1P
35,000	72,000	77,000	18,250	7,250	17,000	15,000	4,000	1,5	1,5	0,37	1,62	0,89	67207
45,000	100,000	106,000	38,250	15,250	36,000	30,000	7,000	2,0	1,5	0,35	1,74	0,96	67609A1
50,000	90,000	95,000	24,750	10,250	23,000	19,000	4,500	1,5	1,5	0,42	1,43	0,78	67510A
50,800	93,264	97,937	30,162	11,112	30,302	23,812	4,762	2,5	2,5	0,34	1,76	0,97	67910A
60,000	110,000	116,000	29,750	10,800	28,000	24,000	5,000	2,0	1,5	0,40	1,50	0,80	67512A1
65,000	120,000	127,000	32,750	11,750	31,000	27,000	6,000	2,0	1,5	0,37	1,62	0,89	67513
70,000	120,000	125,000	44,500	13,500	42,000	37,000	6,000	2,0	1,5	0,39	1,53	0,84	67714
80,000	140,000	147,000	35,250	13,250	33,000	28,000	6,000	2,5	2,0	0,43	1,40	0,80	67516AK

Ⓢ – исполнение посадочных поверхностей соответствует дюймовой системе допусков (отклонение в плюс)  
Ⓢ – design of fitting surfaces complies with inch system of tolerances (deviation with plus)



**SINGLE-ROW TAPER ROLLER BEARINGS  
WITH FLANGED OUTER RING**

Исполнение наружных колец с бортом позволяет упростить конструкцию подшипникового узла, снизить его металлоемкость, облегчить обработку посадочных отверстий в корпусе.

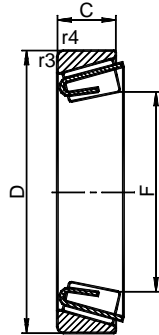
Outer ring design with a flange allows to simplify bearing unit design, to reduce its metal consumption and to facilitate machining of fitting bores in the housing.

**SERIES 67000**

Грузоподъемность, Н Basic load ratings, N		Предельное число оборотов, об/мин Limiting speeds, n/min		Масса, кг Mass, kg	Условное обозначение подшипника Bearing designation			Завод-изготовитель Manufacturer
динамич. dynamic	статич. static	при смазке lubrication						
C	Co	пласт. grease	жидк. oil	m	ЕПК EBC	Международное International	ISO 355 ISO 355	
27700	28200	8000	11000	0,129	67404AP			ВПЗ-15
27700	28200	8000	11000	0,134	67204A			ВПЗ-15
34100	37500	7500	10000	0,156	67405A1P			ВПЗ-15
51200	56000	5300	6700	0,340	67207	30207RX		ГПЗ-1
151000	187000	3600	4800	1,460	67609A1			ВПЗ-15
82500	100000	4000	5000	0,651	67510A	32210R		ГПЗ-1
121000	155000	4000	5300	0,894	67910A	Ⓢ 3780/3720B	TIMKEN	ВПЗ-15
138000	178000	3400	4500	1,233	67512A1			ВПЗ-15
142000	183000	2800	3800	1,620	67513			ВПЗ-15
140000	204000	2600	3200	2,000	67714			ГПЗ-1
198000	262000	2600	3200	2,184	67516AK			ВПЗ-15

Возможные неточности и опечатки не могут являться основанием для юридических претензий  
No liability can be accepted for any errors and omissions

**ПОДШИПНИКИ РОЛИКОВЫЕ КОНИЧЕСКИЕ  
ОДНОРЯДНЫЕ БЕЗ ВНУТРЕННИХ КОЛЕЦ**



ТИП 877000, 977000

Размеры, мм Dimensions, mm				Коэффициент нагрузки Load ability factors			Условное обозначение подшипника Bearing designation
D	C	F	r <sub>3,4</sub> min	e	Y	Y <sub>0</sub>	
44,477	9,600	28,070	1,1	0,48	1,25	0,69	977906K1
Ⓢ 49,225	11,000	33,000	1,0	0,55	1,10	0,60	977907K1
58,000	17,000	33,000	0,6	0,55	1,10	0,60	877907
66,000	12,000	40,600	1,0	0,57	1,10	0,58	977908K
72,000	14,000	46,673	1,3	0,76	0,79	0,43	977909K1

Ⓢ - исполнение посадочных поверхностей соответствует дюймовой системе допусков (отклонение в плюс)  
 Ⓢ - design of fitting surfaces complies with inch system of tolerances (deviation with plus)

**SINGLE-ROW TAPER ROLLER BEARINGS  
WITHOUT INNER RINGS**

Применяются при необходимости уменьшения радиальных габаритов узла. Дорожка качения выполняется непосредственно на валу. Твердость и точность поверхности дорожки качения должны быть такими же, как и подшипникового кольца.

These bearings are used for reduction of radial unit dimensions. A raceway is machined directly on the shaft. The surface hardness and accuracy of the raceway must be the same as that of the outer ring raceways.

SERIES 877000, 977000

Грузоподъемность, Н Basic load ratings, N		Предельное число оборотов, об/мин Limiting speeds, n/min		Масса, кг Mass, kg	Условное обозначение подшипника Bearing designation	Завод-изготовитель Manufacturer
динамич. dynamic	статич. static	при смазке lubrication				
C	Co	пласт. grease	жидк. oil	m	ЕПК EBC	Международное International
15100	14800	5000	6300	0,0594	977906K1	ГПЗ-1
15200	14800	6300	8000	0,081	977907K1	ГПЗ-1, ВПЗ-15
15200	14800	5000	6300	0,214	877907	ГПЗ-1, ВПЗ-15
29600	28900	4000	5000	0,176	977908K	ГПЗ-1, ВПЗ-15
39200	39200	4000	5000	0,250	977909K1	ГПЗ-1

Возможные неточности и опечатки не могут являться основанием для юридических претензий  
 No liability can be accepted for any errors and omissions



## DOUBLE-ROW TAPER ROLLER BEARINGS

These bearings are intended for accommodation of radial and double direction axial loads. The contact angle of the outer ring raceways is  $10^{\circ} \dots 17^{\circ}$ . Permissible axial load  $F_a \leq 0,4Fr'$ . ( $Fr'$ -unused permissible radial load). Permissible radial load is 1,7 times higher than that of corresponding single-row bearing. The bearings are produced with initial axial clearance, so additional adjustment does not need in mounting and operation.

Double-row taper roller bearings are produced of the following series:

- series 97000 – with one outer double ring and two inner rings (arrangement «0»);
- series 697000 – with a flange on outer double ring. This flange permits to carry out counterbores in the housing dot making shoulders on it;
- series 847000 – with inner double ring and two outer rings (arrangement «X»);

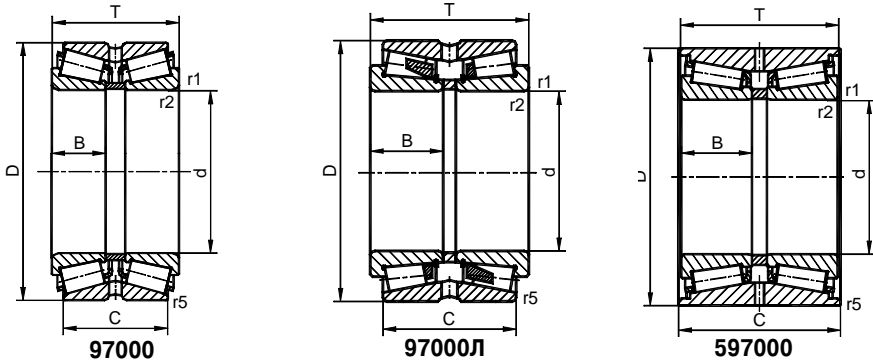
These bearings are applied in working and transport roller conveyers of rolling mills, powerful reducers, drum supports and other heavy carrying units.

Special series presents greased close series 537000C17 bearings. Selected clearance, grease and its quantity guarantee a full working resource of the bearing. Special seals prevent the bearing from loss of grease and dust penetration.

These bearings are applied in wheel hubs of front-wheel drive cars, also they are recommended for fun drives, drive shaft supports and pulleys.



ПОДШИПНИКИ РОЛИКОВЫЕ КОНИЧЕСКИЕ ДВУХРЯДНЫЕ



ТИП 57000, 97000, 597000, 2097000

Размеры, мм Dimensions, mm							Коэффициент нагрузки Load ability factors				Условное обозначение подшипника Bearing designation
d	D	T	B	C	r1,2 min	r5 min	e	Y1	Y2	Yo	
30,000	62,000	49,625	20,000	41,000	1,0	0,3	0,36	1,85	2,75	1,81	97506A
30,000	72,000	63,500	27,000	52,000	1,5	0,5	0,31	2,14	3,20	2,09	97606AY
35,000	80,000	57,000	23,300	45,000	1,5	0,3	0,55	1,24	1,84	1,20	57707AY
45,000	85,000	54,625	23,000	45,000	1,5	0,5	0,42	1,62	2,42	1,59	97509A
50,000	90,000	54,625	23,000	45,000	1,5	0,5	0,42	1,60	2,40	1,57	97510A1
60,000	110,000	54,000	22,000	44,000	1,8	0,5	0,40	1,57	2,45	1,55	97212A
60,000	110,000	64,625	28,000	55,000	2,0	0,5	0,40	1,67	2,50	1,63	97512A1
Ⓢ 66,675	Ⓢ 110,000	52,388	26,194	46,038	0,8	0,3	0,43	1,55	2,30	1,52	97913A
75,000	130,000	74,625	31,000	62,000	2,0	0,5	0,44	1,55	2,30	1,52	97515A1
80,000	140,000	79,625	33,000	65,000	2,5	0,6	0,40	1,68	2,50	1,64	97516A
90,000	160,000	77,250	30,000	64,000	2,5	0,6	0,35	1,78	2,54	1,89	97218A
90,000	160,000	95,250	40,000	78,000	2,5	0,5	0,42	1,60	2,40	1,57	97518A
95,000	170,000	47,675	20,638	43,000	1,5	0,5	0,59	1,14	1,70	1,11	97921P
100,000	180,000	111,250	46,000	92,000	3,0	0,9	0,42	1,60	2,40	1,57	97520A
Ⓢ 101,600	Ⓢ 165,100	106,350	49,500	114,30	2,0	0,9	0,26	2,56	3,80	2,50	597820ЛКУ
105,000	190,000	117,250	50,000	96,000	3,0	0,9	0,42	1,60	2,40	1,57	97521A
110,000	180,000	103,000	38,000	84,370	3,0	0,8	0,46	1,47	2,19	1,44	97822У
120,000	195,000	126,000	57,150	131,35	3,0	1,1	0,26	2,55	3,80	2,50	597824МУ
130,000	230,000	149,250	71,500	150,00	4,0	1,1	0,26	2,55	3,80	2,49	597826ХКМ1У
130,000	230,000	149,250	64,000	120,00	4,0	1,0	0,44	1,55	2,30	1,52	97526A
140,000	210,000	88,250	42,000	69,000	2,5	0,6	0,31	1,83	2,72	1,77	2097128М
150,000	250,000	175,000	72,600	175,00	3,0	1,7	0,26	2,55	3,80	2,50	597830ХМУ
160,000	220,000	66,000	30,000	66,000	2,0	1,0	0,35	1,95	2,90	1,90	597832Л
160,000	270,000	87,250	41,000	86,000	2,0	2,0	0,38	1,76	2,62	1,72	97938P
200,000	250,000	70,000	30,000	70,000	1,5	1,0	0,41	1,65	2,50	1,60	597840Л
220,000	340,000	164,000	76,000	130,00	4,0	1,0	0,43	1,57	2,30	1,53	2097144АМ

Ⓢ – исполнение посадочных поверхностей соответствует дюймовой системе допусков (отклонение в плюс)  
Ⓢ – design of fitting surfaces complies with inch system of tolerances (deviation with plus)



DOUBLE -ROW TAPER ROLLER BEARINGS

Предназначены для восприятия радиальных и двусторонних осевых нагрузок. Угол контакта дорожек качения наружного кольца  $\alpha=10^{\circ}\dots17^{\circ}$ . Допустимая осевая нагрузка подшипников  $Fa \leq 0,4Fr'$  ( $Fr'$  - неиспользованная допустимая радиальная нагрузка). Величина допустимой радиальной нагрузки в 1,7 раза выше, чем радиальная нагрузка у соответствующего однорядного подшипника. При монтаже в узел не требуется регулировка осевого зазора.

These bearings are designed for accommodation of radial and double direction axial loads. The contact angle of the outer ring raceway  $\alpha=10^{\circ}\dots17^{\circ}$ . Permissible radial load is 1.7 times higher than radial load of corresponding single-row bearing.

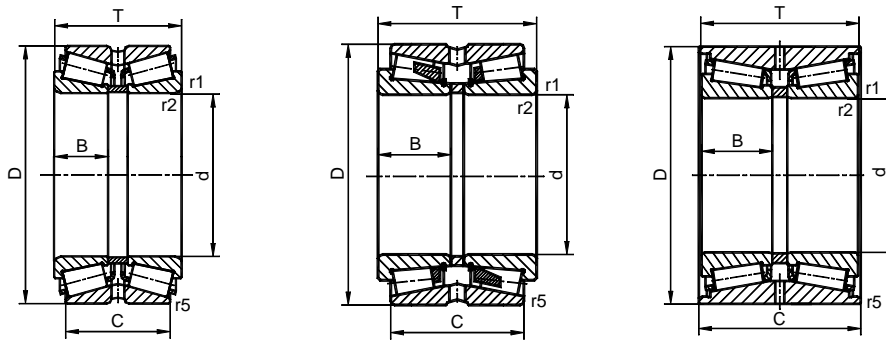
Permissible axial load  $Fa \leq 0,4Fr'$  ( $Fr'$  - unused permissible radial load). These bearings do not require axial clearance adjustment when mounting in units.

SERIES 57000, 97000, 597000, 2097000

Грузоподъемность, Н Basic load ratings, N		Предельное число оборотов, об/мин Limiting speeds, n/min		Масса, кг Mass, kg	Условное обозначение подшипника Bearing designation	Завод-изготовитель Manufacturer
динамич. dynamic	статич. static	при смазке lubrication				
C	Co	пласт. grease	жидк. oil	m	Международное International	ICO 355 ISO 355
129000	5000	5000	6300	0,661	97506A	ВПЗ-15
138000	179000	4000	5000	1,220	97606AY	ВПЗ-15
118000	171000	4500	5800	1,267	57707AY	ГПЗ-1, ВПЗ-15
148000	214000	4000	5000	1,089	97509A	ВПЗ-15
157000	232000	3200	4000	1,360	97510A1	ВПЗ-15
189000	267000	2300	2900	1,970	97212A	ВПЗ-15
237000	357000	2800	3600	2,537	97512A1	ВПЗ-15
183000	330000	2800	3600	1,980	97913A	Ⓢ 395A-394D TIMKEN ВПЗ-15
295000	463000	2600	3200	3,732	97515A1	ВПЗ-15
339000	525000	2200	2800	4,574	97516A	ВПЗ-15
357000	536000	1600	2000	5,870	97218A	ВПЗ-15
470000	761000	2000	2600	7,370	97518A	ВПЗ-15
169000	321000	1500	1900	4,785	97921P	ВПЗ-15
585000	967000	1700	2200	11,070	97520A	ВПЗ-15
245000	392000	2000	2500	10,273	597820ЛКУ	ВПЗ-15
629000	1110000	1500	2000	13,470	97521A	ВПЗ-15
47400	815700	1500	2000	9,880	97822У	ВПЗ-15
667000	1330000	1600	2000	14,624	597824МУ	ВПЗ-15
984000	1730000	1300	1600	25,192	597826ХКМ1У	ВПЗ-15
972000	1850000	1250	1600	25,380	97526A	ВПЗ-15
501000	951000	1000	1300	9,980	2097128М	ВПЗ-15
1047000	1850000	1300	1600	33,268	597830ХМУ	ВПЗ-15
231000	481000	1300	1800	7,690	597832Л	ВПЗ-15
575000	1270000	1100	1400	21,458	97938P	ВПЗ-15
257000	588000	1000	1500	8,150	597840Л	ВПЗ-15
1530000	3260000	800	1000	51,940	2097144АМ	ВПЗ-15

Возможные неточности и опечатки не могут являться основанием для юридических претензий  
No liability can be accepted for any errors and omissions

ПОДШИПНИКИ РОЛИКОВЫЕ КОНИЧЕСКИЕ ДВУХРЯДНЫЕ



DOUBLE -ROW TAPER ROLLER BEARINGS

Предназначены для восприятия радиальных и двусторонних осевых нагрузок. Угол контакта дорожек качения наружного кольца  $\alpha=10^\circ...17^\circ$ . Допустимая осевая нагрузка подшипников  $F_{a0,4Fr}$  ( $Fr'$  - неиспользованная допустимая радиальная нагрузка). Величина допустимой радиальной нагрузки в 1,7 раза выше, чем радиальная нагрузка у соответствующего однорядного подшипника. При монтаже в узел не требуется регулировка осевого зазора.

These bearings are designed for accommodation of radial and double direction axial loads. The contact angle of the outer ring raceway  $\alpha=10^\circ...17^\circ$ . Permissible radial load is 1.7 times higher than radial load of corresponding single-row bearing.

Permissible axial load  $F_{a0,4Fr}$  ( $Fr'$  - unused permissible radial load). These bearings do not require axial clearance adjustment when mounting in units.

ТИП 57000, 97000, 597000, 2097000

Размеры, мм Dimensions, mm							Коэффициент нагрузки Load ability factors				Условное обозначение подшипника Bearing designation
d	D	T	B	C	r1,2 min	r5 min	e	Y1	Y2	Yo	
@ 228,600	@ 358,775	152,400	67,000	117,47	3,5	1,5	0,33	2,03	3,02	1,62	97945K
@ 231,775	@ 358,775	152,400	67,000	117,47	6,4	1,5	0,33	2,03	3,02	1,62	97946K
@ 254,000	@ 358,775	152,400	67,000	117,47	3,5	1,5	0,33	2,03	3,02	1,62	97951
260,000	360,000	112,000	56,000	112,00	2,1	1,1	0,37	1,82	2,70	1,80	597852Л
260,000	360,000	134,000	63,500	109,00	3,0	0,5	0,40	1,66	2,47	1,62	2097952A
280,000	380,000	112,000	51,000	112,00	2,1	1,1	0,43	1,56	2,30	1,53	597856Л
@ 300,038	@ 422,275	174,625	82,550	136,52	6,4	1,5	0,33	2,00	3,00	1,99	97960
@ 317,500	@ 444,500	146,050	61,912	98,425	8,0	1,5	0,38	1,79	2,66	1,76	97963
@ 330,200	@ 482,600	177,800	80,167	127,00	6,4	1,5	0,39	1,73	2,57	1,69	97966M
@ 368,249	@ 523,875	214,312	101,600	169,86	6,4	1,5	0,32	2,13	3,17	2,08	97974
@ 406,400	@ 574,675	157,162	78,581	106,36	6,4	1,5	0,49	1,36	2,03	1,33	97981
@ 415,925	@ 590,550	244,475	114,300	193,67	6,4	1,5	0,33	2,05	3,05	2,00	97983
@ 479,425	@ 679,450	276,225	125,590	222,25	6,4	1,5	0,33	2,04	3,00	2,00	97996

SERIES 57000, 97000, 597000, 2097000

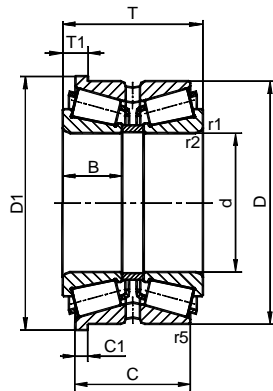
Грузоподъемность, Н Basic load ratings, N		Предельное число оборотов, об/мин Limiting speeds, n/min		Масса, кг Mass, kg	Условное обозначение подшипника Bearing designation	Завод-изготовитель Manufacturer		
динамич. dynamic	статич. static	при смазке lubrication						
C	Co	пласт. grease	жидк. oil	m	ЕПК EBC	Международное International	ISO 355 ISO 355	
1270000	3260000	800	1000	56,800	97945K	@ M249732/M249710CD	TIMKEN	ВПЗ-15
1270000	3260000	630	1000	55,400	97946K	@ M249734/M249710CD	TIMKEN	ВПЗ-15
1270000	3260000	630	1000	45,300	97951	@ M249749/M249710CD	TIMKEN	ВПЗ-15
869000	1860000	630	800	32,560	597852Л			ВПЗ-15
1270000	3260000	630	800	39,632	2097952A			ВПЗ-15
826000	1900000	630	800	35,700	597856Л			ВПЗ-15
1920000	4790000	500	630	71,540	97960	@ HM256849/HM256810CD	TIMKEN	ВПЗ-15
1300000	2900000	500	630	61,300	97963	@ EE291250/291751CD	TIMKEN	ВПЗ-15
1960000	4270000	400	500	96,900	97966M	@ EE526130/526191CD	TIMKEN	ВПЗ-15
2940000	7220000	400	500	142,470	97974	@ HM265049/HM265010CD	TIMKEN	ВПЗ-15
1660000	3760000	350	450	110,550	97981	@ NA285160/285228D	TIMKEN	ВПЗ-15
3590000	9110000	320	400	197,740	97983	@ M268749/M268710CD	TIMKEN	ВПЗ-15
4710000	12300000	250	315	300,580	97996	@ M272749/M272710D	TIMKEN	ВПЗ-15

@ – исполнение посадочных поверхностей соответствует дюймовой системе допусков (отклонение в плюс)  
 @ – design of fitting surfaces complies with inch system of tolerances (deviation with plus)

Возможные неточности и опечатки не могут являться основанием для юридических претензий  
 No liability can be accepted for any errors and omissions



**ПОДШИПНИКИ РОЛИКОВЫЕ КОНИЧЕСКИЕ ДВУХРЯДНЫЕ  
С БОРТОМ НА НАРУЖНОМ КОЛЬЦЕ**



**ТИП 697000**

Размеры, мм Dimensions, mm										Коэффициент нагрузки Load ability factors				Условное обозначение подшипника Bearing designation
d	D	D1	T	T1	B	C	C1	r <sub>1,2</sub> min	r <sub>5</sub> min	e	Y1	Y2	Y <sub>0</sub>	
45,000	75,000	81,000	77,600	9,000	19,000	69,000	4,950	1,1	0,3	0,30	2,24	3,34	2,19	<b>2697709</b>
50,000	90,000	100,000	54,625	10,800	23,000	45,000	6,000	1,5	0,5	0,42	1,60	2,39	1,57	<b>697510AШ2</b>



**DOUBLE-ROW TAPER ROLLER BEARINGS  
WITH FLANGED OUTER RING**

Предназначены для восприятия радиальных и двусторонних осевых нагрузок.

Наличие борта на наружном кольце позволяет упростить конструкцию подшипникового узла, обработку посадочных отверстий в корпусе. Подшипники изготавливаются с заданным осевым зазором, при этом дополнительной регулировки в процессе монтажа не требуется.

These bearing are designed for accommodation of radial and double direction axial loads.

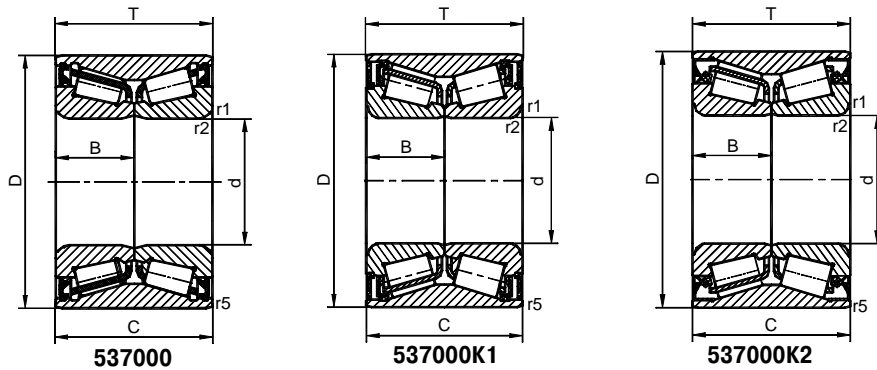
The flange on the outer ring allows to simplify the bearing unit design and to finish of fitting bores. Bearings are made with given axial clearance and additional adjustment does not need when mounting.

**SERIES 697000**

Грузоподъемность H Basic load ratings, N		Предельное число оборотов, об/мин Limiting speeds, n/min	Масса, кг Mass, kg	Условное обозначение подшипника Bearing designation		Завод-изготовитель Manufacturer
динамич. dynamic	статич. static			при смазке lubrication	Международное International	
C	C <sub>0</sub>	жидк. oil	m	<b>ЕПК</b> <b>ЕВС</b>		
91500	136000	5000	1,078	<b>2697709</b>		ВПЗ-15
157000	232000	5600	1,432	<b>697510AШ2</b>		ВПЗ-15



**ПОДШИПНИКИ РОЛИКОВЫЕ КОНИЧЕСКИЕ ДВУХРЯДНЫЕ  
С ПРЕДВАРИТЕЛЬНО ОТРЕГУЛИРОВАННЫМ ОСЕВЫМ  
ЗАЗОРОМ, ЗАПОЛНЕННЫЕ СМАЗКОЙ, ЗАКРЫТЫЕ**



ТИП 537000

Размеры, мм Dimensions, mm							Коэффициент нагрузки Load ability factors				Условное обозначение подшипника Bearing designation
d	D	T	B	C	r1,2 min	r5 min	e	Y1	Y2	Yo	
25,000	52,000	37,000	18,500	37,000	0,6	1,0	0,37	1,80	2,68	1,76	<b>537905C17</b>
30,000	60,000	37,000	18,500	37,000	3,2	1,0	0,43	1,55	2,31	1,52	<b>537906C17</b>
34,000	64,000	37,000	18,500	37,000	3,3	1,0	0,30	2,21	3,29	2,16	<b>537907C17</b>
35,000	64,000	37,000	18,500	37,000	3,56	1,2	0,47	1,43	2,13	1,40	<b>537707C17</b>
35,000	68,000	37,000	18,500	37,000	2,5	1,0	0,51	1,33	1,97	1,30	<b>537807C17</b>
37,000	72,000	37,000	18,500	37,000	3,3	1,0	0,43	1,57	2,34	1,53	<b>537908C17</b>
39,000	68,000	37,000	18,500	37,000	2,8	1,0	0,51	1,33	1,97	1,30	<b>537808C17</b>
39,000	72,000	37,000	18,500	37,000	3,8	1,0	0,50	1,30	1,97	1,29	<b>537708C17</b>
49,000	84,000	43,000	21,500	43,000	3,3	1,5	0,46	1,47	2,19	1,44	<b>537909K1C17</b>
49,000	84,000	43,000	21,500	43,000	3,3	1,5	0,46	1,47	2,19	1,44	<b>537909K2C17</b>
49,000	84,000	43,000	21,500	43,000	3,3	1,0	0,45	1,49	2,23	1,46	<b>537909KC17</b>
50,000	84,000	54,000	27,000	54,000	4,5	1,0	0,50	1,47	2,20	1,44	<b>537910C17</b>
50,000	92,000	55,000	27,500	55,000	1,5	1,2	0,42	1,61	2,39	1,57	<b>537810AC17</b>



**DOUBLE-ROW TAPER ROLLER BEARINGS  
WITH PREADJUSTED AXIAL CLEARANCE,  
GREASED AND SEALED**

Обладают максимальной грузоподъемностью при минимальных габаритных размерах подшипника. Выбранный зазор, смазка, ее количество гарантируют полный ресурс работы подшипника.

Специальные уплотнения защищают подшипник от потери пластичной смазки и от проникновения пыли. Подшипники преимущественно применяются в ступицах колес переднеприводных автомобилей, также рекомендуются к применению для приводов вентиляторов, опор приводных валов, шкивов.

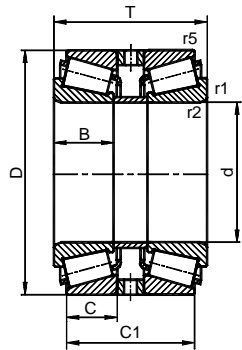
These bearings have the maximum load carrying capacity with minimum principal bearing dimensions. Selected clearance, lubricant and its quantity guarantee designed service life of the bearing. Special seals protect bearings against loss of thick grease and against dust penetration. The bearings are used in wheel hubs of front drive cars, also they are recommended for fan drives, drive shaft supports, pulleys.

SERIES 537000

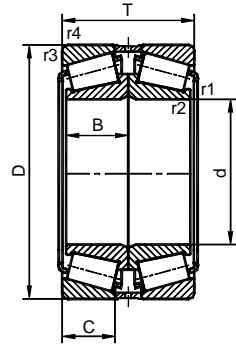
Грузоподъемность, Н Basic load ratings, N		Предельное число оборотов, об/мин Limiting speeds, n/min	Масса, кг Mass, kg	Условное обозначение подшипника Bearing designation			Завод-изготовитель Manufacturer
динамич. dynamic	статич. static	при смазке lubrication	m	ЕПК EBC	Международное International	ISO 355 ISO 355	
58400	74800	5000	0,373	<b>537905C17</b>	JRM2525	TIMKEN	ВПЗ-15
64800	90100	5000	0,493	<b>537906C17</b>			ВПЗ-15
68600	99800	3700	0,556	<b>537907C17</b>	JRM3534	TIMKEN	ВПЗ-15
68600	99800	3700	0,556	<b>537707C17</b>	JRM3535/3564XD	TIMKEN	ВПЗ-15
69800	105000	3700	0,614	<b>537807C17</b>	JRM3935A/JRM3968XD	TIMKEN	ВПЗ-15
81600	112000	3700	0,718	<b>537908C17</b>			ВПЗ-15
69800	105000	3700	0,546	<b>537808C17</b>	JRM3939/JRM3968XD	TIMKEN	ВПЗ-15
69800	105000	3700	0,673	<b>537708C17</b>			ВПЗ-15
108000	156000	3200	0,941	<b>537909K1C17</b>			ВПЗ-15
108000	156000	3200	0,941	<b>537909K2C17</b>			ВПЗ-15
107000	152000	3200	0,941	<b>537909KC17</b>	JXC25469C	TIMKEN	ВПЗ-15
108000	156000	3200	1,041	<b>537910C17</b>			ВПЗ-15
157000	232000	3200	1,543	<b>537810AC17</b>			ВПЗ-15



**ПОДШИПНИКИ РОЛИКОВЫЕ КОНИЧЕСКИЕ  
ОДНОРЯДНЫЕ СДВОЕННЫЕ**



**897000**



**1027000AY2/X, 3007000AY2/X**

**ТИП 897000, 1027000AY2/X, 3007000AY2/X**

Размеры, мм Dimensions, mm									Коэффициент нагрузки Load ability factors				Условное обозначение подшипника Bearing designation
d	D	T	B	C	C1	r1,2 min	r3,4 min	r5 min	e	Y1	Y2	Yo	
65,000	140,000	115,000	33,000	28,000	99,000	2,5	0,9		0,34	1,91	2,91	1,96	<b>897713AK</b>
90,000	140,000	78,000	39,000	32,500		0,5	1,5		0,27	2,51	3,70	2,45	<b>3007118AY2/X</b>
90,000	190,000	93,000	43,000	30,000		1,0	3,0		0,83	0,81	1,20	0,80	<b>1027318AY2/X</b>



**TWO SINGLE-ROW TAPER ROLLER BEARINGS**

Подшипник представляет собой специальную конструкцию, состоящую из двух однорядных подшипников. При монтаже в узел не требуется регулировка осевого зазора.

This special bearing design consists of two single-row bearings. These bearings do not require axial clearance adjustment when mounting in unit.

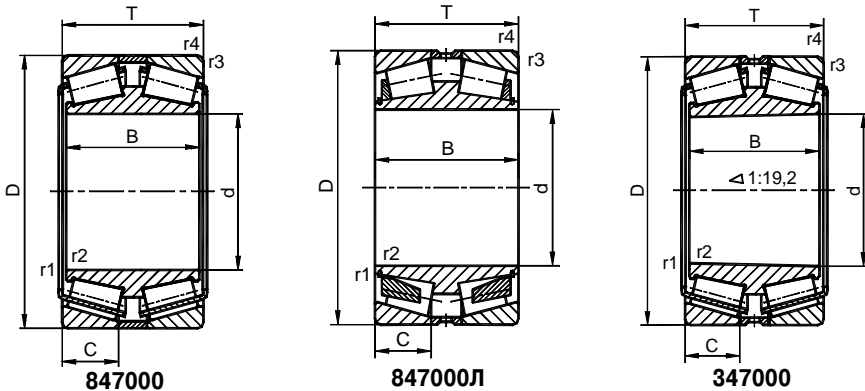
**SERIES 897000, 1027000AY2/X, 3007000AY2/X**

Грузоподъемность, Н Basic load ratings, N		Предельное число оборотов, об/мин Limiting speeds, n/min	Масса, кг Mass, kg	Условное обозначение подшипника Bearing designation			Завод-изготовитель Manufacturer
динамич. dynamic	статич. static			при смазке lubrication			
C	Co	пласт. grease	m	<b>ЕПК</b> <b>ЕВС</b>	Международное International	<b>ISO 355</b> <b>ISO 355</b>	
356000	492000	2600	5,890	<b>897713AK</b>			ВПЗ-15
366000	696000	1600	4,540	<b>3007118AY2/X</b>	33018K11	SKF	ВПЗ-15
477000	722000	1400	11,990	<b>1027318AY2/X</b>	31318K11	SKF	ВПЗ-15





**ПОДШИПНИКИ РОЛИКОВЫЕ КОНИЧЕСКИЕ ДВУХРЯДНЫЕ С НАРУЖНЫМ ДИСТАНЦИОННЫМ КОЛЬЦОМ**



ТИП 347000, 847000

Размеры, мм Dimensions, mm							Коэффициент нагрузки Load ability factors				Условное обозначение подшипника Bearing designation
d	D	T	B	C	r1,2 min	r3,4 min	e	Y1	Y2	Yo	
@ 66,675 @ 177,800	114,300	107,950	37,308	1,0	3,3	0,80	0,85	1,26	0,83	<b>847713</b>	
@ 95,250 @ 190,500	114,300	115,062	44,450	0,5	3,3	0,42	1,61	2,40	1,58	<b>847719</b>	
@ 100,211 @ 168,275	95,250	95,250	30,162	0,8	3,3	0,47	1,43	2,12	1,40	<b>347920M</b>	
@ 219,075 @ 358,775	196,850	200,025	85,725	1,5	6,4	0,33	2,03	3,02	2,03	<b>347944M</b>	
@ 333,375 @ 469,900	166,688	166,688	71,438	3,3	3,3	0,33	2,00	3,00	1,97	<b>847967ЛМУ</b>	

@ - исполнение посадочных поверхностей соответствует дюймовой системе допусков (отклонение в плюс)  
 @ - design of fitting surfaces complies with inch system of tolerances (deviation with plus)



**DOUBLE-ROW TAPER ROLLER BEARINGS WITH OUTER SPACER RING**

Предназначены для восприятия радиальных и двусторонних осевых нагрузок. Допустимая радиальная нагрузка в 1,7 раза выше, чем у соответствующего однорядного подшипника. При монтаже в узел не требуется регулировка осевого зазора.

The bearings are intended for accommodation of radial and double direction axial loads. Permissible radial load is 1.7 times higher than that of corresponding single-row bearing. These bearings do not need axial clearance adjustment when mounting in the housing.

SERIES 347000, 847000

Грузоподъемность, Н Basic load ratings, N		Предельное число оборотов, об/мин Limiting speeds, n/min	Масса, кг Mass, kg	Условное обозначение подшипника Bearing designation	Завод-изготовитель Manufacturer
динамич. dynamic	статич. static				
C	Co	при смазке lubrication пласт. grease	m	ЕПК EBC	Международное International <b>ISO 355</b> <b>ISO 355</b>
578000	828000	2000	14,890	<b>847713</b>	ВПЗ-15
604000	1240000	1900	16,260	<b>847719</b>	ВПЗ-15
429000	797000	1600	8,730	<b>347920M</b> @ 688TD/672	TIMKEN ВПЗ-15
2240000	4880000	700	86,770	<b>347944M</b> @ H244848TD/H244810	TIMKEN ВПЗ-15
2150000	5220000	630	94,700	<b>847967ЛМУ</b> @ HM261049DW/HM261010	TIMKEN ВПЗ-15

Возможные неточности и опечатки не могут являться основанием для юридических претензий  
 No liability can be accepted for any errors and omissions

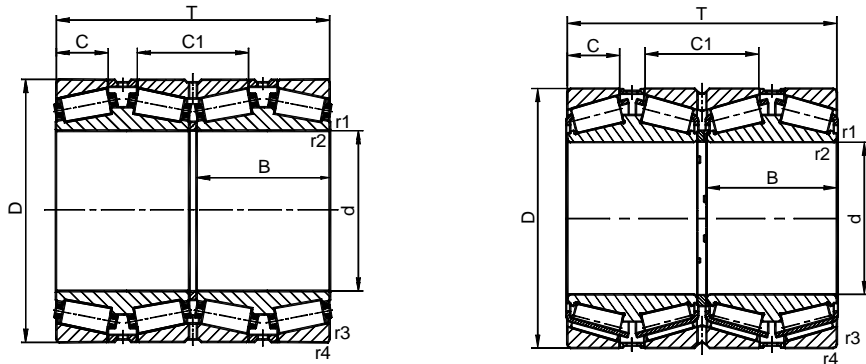


## FOUR-ROW TAPER ROLLER BEARINGS

These bearings are intended for accommodation of high radial and relatively light double direction axial loads. Permissible radial load is 3 times higher than it can be for the corresponding single-row bearing. The permissible axial load is  $F_{ax} \leq 0,2F_r'$  ( $F_r'$  – unused permissible radial load). These bearings do not need axial clearance adjustment, but they demand the strict sequence of ring mounting indicated in a bearing passport. Cages are made of steel on spacers and pressed. They are applied in metallurgical industry for roll supports of rolling mills.



### ПОДШИПНИКИ РОЛИКОВЫЕ КОНИЧЕСКИЕ ЧЕТЫРЕХРЯДНЫЕ



ТИП 77000, 2077000

Размеры, мм Dimensions, mm								Коэффициент нагрузки Load ability factors				Условное обозначение подшипника Bearing designation
d	D	T	B	C	C1	r1,2 min	r3,4 min	e	Y1	Y2	Yo	
200,000	310,000	273,500	132,000	56,000	123,000	2,1	2,1	0,43	1,57	2,34	1,53	<b>2077140AM</b>
205,000	320,000	203,500	96,000	36,000	85,000	4,0	4,0	0,46	1,46	2,17	1,42	<b>77741M</b>
260,000	400,000	253,500	119,000	47,000	111,000	5,0	10,0	0,41	1,66	2,47	1,62	<b>77752M</b>
⊗ 269,875	⊗ 381,000	282,575	141,300	59,500	119,000	1,5	3,0	0,34	1,97	2,94	1,93	<b>77754M</b>
⊗ 384,175	⊗ 546,100	400,050	191,500	82,550	182,150	3,3	6,4	0,33	2,04	3,03	1,99	<b>77877M</b>
⊗ 431,800	⊗ 635,000	355,600	173,020	67,460	144,480	6,4	6,4	0,32	2,07	3,09	2,03	<b>77887M</b>
⊗ 447,675	⊗ 635,000	463,550	223,840	95,250	206,375	3,3	6,4	0,33	2,05	3,05	2,00	<b>77890</b>
⊗ 447,675	⊗ 635,000	463,550	223,840	95,250	206,375	3,3	6,4	0,33	2,03	3,02	1,99	<b>77890KM</b>

⊗ – исполнение посадочных поверхностей соответствует дюймовой системе допусков (отклонение в плюс)  
 ⊗ – design of fitting surfaces complies with inch system of tolerances (deviation with plus)



### FOUR-ROW TAPER ROLLER BEARINGS

Предназначены для восприятия больших радиальных и относительно небольших двусторонних осевых нагрузок. Допустимые радиальные нагрузки в 3 раза выше, чем у соответствующего однорядного подшипника. Допустимая осевая нагрузка  $F_a \leq 0,2F_r'$  ( $F_r'$  – неиспользованная допустимая радиальная нагрузка). При монтаже в узел не требуется регулировка осевого зазора, но требуется строгое соблюдение последовательности монтажа колец, указанной в паспорте на подшипник.

Сепараторы стальные на распорках и штампованные.

Применяются в металлургической промышленности в опорах валков прокатных станов.

These bearings are intended for accommodation of high radial and relatively light double direction axial loads. Permissible radial load is 3 times higher than it can be for the corresponding single-row bearing. The permissible axial load is  $F_a \leq 0,2F_r'$  ( $F_r'$  – unused permissible radial load). These bearings do not need axial clearance adjustment, but they demand the strict sequence of ring mounting indicated in a bearing passport. Cages are made of steel on spacers and pressed. They are applied in metallurgical industry for roll supports of rolling mills.

SERIES 77000, 2077000

Грузоподъемность, Н Basic load ratings, N		Масса, кг Mass, kg	Условное обозначение подшипника Bearing designation	Завод-изготовитель Manufacturer
динамич. dynamic	статич. static			
C	C <sub>0</sub>	m	Международное International	ISO 355 ISO 355
2234000	5490000	75,016	<b>2077140AM</b>	ВПЗ-15
1600000	3430000	58,795	<b>77741M</b>	ВПЗ-15
2260000	5290000	110,690	<b>77752M</b>	ВПЗ-15
244000	6470000	100,130	<b>77754M</b>	ВПЗ-15
5610000	16900000	307,750	<b>77877M</b>	ВПЗ-15
5180000	14800000	339,600	<b>77887M</b>	ВПЗ-15
6590000	22600000	450,200	<b>77890</b>	ВПЗ-15
6780000	20800000	488,840	<b>77890KM</b>	ВПЗ-15

Возможные неточности и опечатки не могут являться основанием для юридических претензий  
 No liability can be accepted for any errors and omissions



## THRUST BEARINGS

These bearings can accommodate axial loads. Thrust bearings are classified as ball and roller bearings.

**Thrust ball bearings** permit lower rotation speeds than that of other ball bearing types, as raceways can accommodate only limited centrifugal loads, acting when balls are moving. Bearings are produced with pressed or form-stable cages of the following series:

- Bearings of 8000 (808000, 1008000, 9008000) series are single direction. They can accommodate axial load acting in single direction.
- Bearings of 38000 series are double direction. They can accommodate axial load acting in double directions.
- Bearings of 18000 series are single direction with bed ring. They compensate technical inaccuracies of housing support surface working.
- Bearings of 48000 series are double direction with bed rings.

Thrust ball bearings are used in low-speed reducers, spindles, machine-tool rotating centers, jacks, valve gates, rotators and etc.

**Thrust roller bearings** can accommodate large axial loads. Some design group bearings can accommodate simultaneously light radial load. They permit lower rotation speeds than that of other bearing types.

Thrust roller bearings are produced of the following series:

- Bearings of 9000 series are single direction with cylindrical rollers and form-stable cage.
- Bearings of 889000 series are double-row single direction with cylindrical rollers and form-stable cage. Two short rollers of different length into one cage socket reduce sliding between roller and ring raceways coming of line speed difference.
- Bearings of 899000 series have cylindrical rollers, form-stable cage but without rings. Hardness and accuracy of raceway, contacting with roller rolling surface, must be the same as that of bearing rings.
- Bearings of 109000 series have needle rollers, single ring and form-stable cage. Hardness and accuracy of raceway, contacting with roller rolling surface, must be the same as that of bearing rings.
- Bearings of 59000 series are double direction with cylindrical rollers and form-stable cage. These bearings can accommodate axial loads in double directions.
- Bearings of 19000 series are single direction with taper rollers, form-stable cage and flanges on «tight» and «loose» rings.
- Bearings of 29000 series are single direction cageless in cover with taper rollers. They have single ring with flange and another ring without flange. These bearings have the maximum load carrying capacity with minimum nominal sizes. The metal cover provides unseparability of the bearing; this facilitates mounting during bearing unit assembling.
- Bearings of 39000 series have spherical rollers and form-stable or pressed cage.

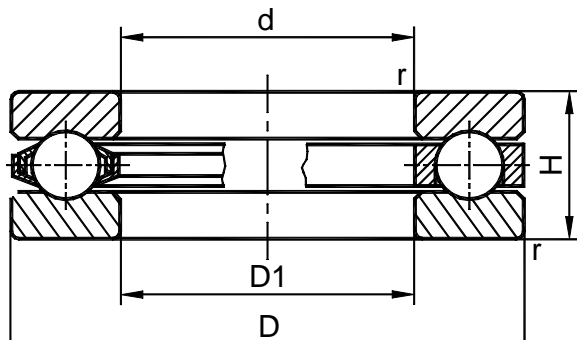
These bearings can accommodate large axial and not large radial loads. They permit lower rotation speeds than that of other thrust roller bearing types. They can self-align relatively to the spherical raceway center of the loose ring.

Form-stable cages are produced of steel or non-ferrous metals.

Thrust roller bearings are applied for rolling mills, globoid reducers, in metal-cutting tool tables, swivels of oil-extracting machineries.



### ПОДШИПНИКИ ШАРИКОВЫЕ УПОРНЫЕ ОДИНАРНЫЕ И ДВОЙНЫЕ



Воспринимают осевую нагрузку. Одинарные – в одном направлении, двойные – в обоих направлениях.

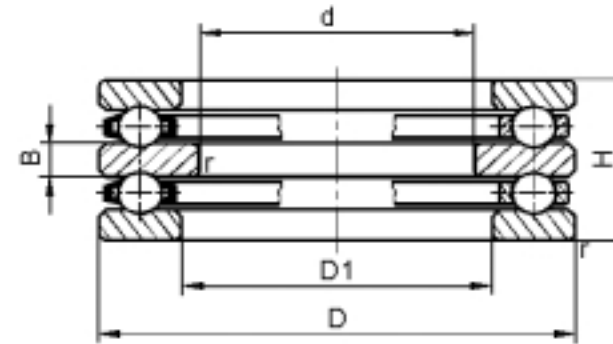
8000, 808000, 1008000, 9008000

ТИП 8000, 38000, 808000, 1008000, 9008000

Размеры, мм Dimensions, mm						Условное обозначение подшипника Bearing designation
d	D	H	D1	B	r min	
65,000	140,000	56,000	65,200		2,0	8413Л
85,000	140,000	35,000	85,200		1,1	8717
100,000	150,000	38,000	100,200		1,1	8220K
100,000	170,000	55,000	103,000		1,5	8320НГ
100,000	170,000	55,000	103,000		1,5	8320НЛ
100,000	172,000	57,000	100,200		1,5	808320Л
100,000	210,000	85,000	100,500		3,0	8420Л
100,000	170,000	68,000	120,200	15,000	1,1	38224
100,000	210,000	123,000	120,200	27,000	2,1	38324
110,000	160,000	38,000	110,200		1,1	8222
110,000	160,000	38,000	110,200		1,1	8222Л
110,000	190,000	63,000	110,200		2,0	8322
110,000	190,000	63,000	110,200		2,0	8322Л
120,000	155,000	25,000	120,200		1,0	8124
120,000	170,000	39,000	120,200		1,1	8224
120,000	210,000	70,000	120,200		2,1	8324
130,000	170,000	30,000	130,300		1,0	8126Л
130,000	190,000	45,000	130,300		1,5	8226
130,000	225,000	75,000	130,300		2,1	8326Л
130,000	270,000	110,000	130,300		4,0	8426Л
140,000	180,000	31,000	140,300		1,0	8128Л
140,000	200,000	46,000	140,300		1,5	8228
140,000	200,000	46,000	140,300		1,5	8228Л
150,000	215,000	50,000	153,000		1,5	8230НГ



### SINGLE DIRECTION AND DOUBLE DIRECTION THRUST BALL BEARINGS



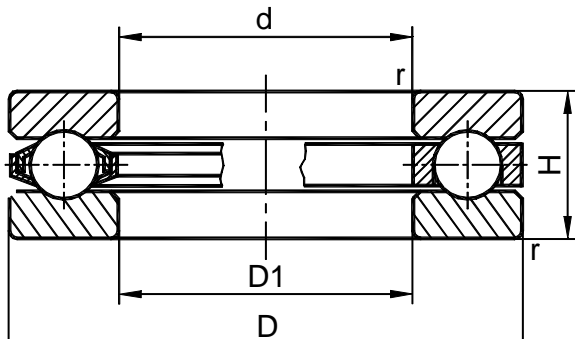
These bearings can accommodate axial loads: single direction bearings can accommodate them in single direction and double direction bearings can accommodate them in double directions.

38000

SERIES 8000, 38000, 808000, 1008000, 9008000

Грузоподъемность, Н Basic load ratings, N		Предельное число оборотов, об/мин Limiting speeds, n/min		Масса, кг Mass, kg	Условное обозначение подшипника Bearing designation		Завод-изготовитель Manufacturer
динамич. dynamic	статич. static	при смазке lubrication			ЕПК EBC	Международное International	
C	Co	пласт. grease	жидк. oil	m			
216000	450000	1000	1500	4,360	8413Л	51413M	ГПЗ-1
140000	280000	1200	1700	1,930	8717		ГПЗ-1
124000	320000	1300	1800	2,228	8220K	51220	ГПЗ-1
229000	560000	950	1400	5,470	8320НГ	51320F	ГПЗ-1
229000	560000	950	1400	5,700	8320НЛ	51320M	ГПЗ-1
245000	600000	1000	1500	6,040	808320Л		ГПЗ-1
400000	970000	700	950	14,600	8420Л	51420M	ГПЗ-1
158000	405000	1200	1700	5,150	38224	52224	ГПЗ-1
325000	915000	800	1100	19,700	38324	52324	ГПЗ-1
153000	386000	1200	1700	2,520	8222	51222	ГПЗ-1
153000	385000	1200	1700	2,693	8222Л	51222M	ГПЗ-1
276000	720000	850	1200	7,330	8322	51322	ГПЗ-1
276000	720000	850	1200	7,880	8322Л	51322M	ГПЗ-1
884000	310000	1600	2200	1,124	8124	51124	ГПЗ-1
158000	405000	1200	1700	2,770	8224	51224	ГПЗ-1
325000	915000	800	1100	9,660	8324	51324	ГПЗ-1
111000	390000	1400	1900	1,930	8126Л	51126M	ГПЗ-1
203000	500000	950	1400	4,200	8226	51226	ГПЗ-1
358000	1060000	750	1000	13,400	8326Л	51326M	ГПЗ-1
520000	1600000	560	750	30,500	8426Л	51426M	ГПЗ-1
111000	400000	1300	1800	2,140	8128Л	51128M	ГПЗ-1
208000	585000	950	1400	4,610	8228	51228	ГПЗ-1
208000	585000	950	1400	4,920	8228Л	51228M	ГПЗ-1
238000	735000	900	1300	6,100	8230НГ	51230F	ГПЗ-1

Возможные неточности и опечатки не могут являться основанием для юридических претензий  
No liability can be accepted for any errors and omissions

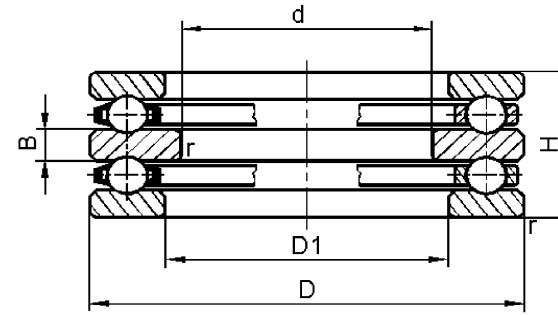


**8000, 808000, 1008000, 9008000**

ТИП 8000, 38000, 808000, 1008000, 9008000

Воспринимают осевую нагрузку. Одинарные – в одном направлении, двойные – в обоих направлениях.

Размеры, мм Dimensions, mm						Условное обозначение подшипника Bearing designation
d	D	H	D1	B	r min	
150,000	215,000	50,000	153,000		1,5	8230НЛ
150,000	250,000	80,000	150,300		2,1	8330Л
150,000	250,000	98,000	180,300	21,000	1,5	38236
160,000	200,000	31,000	160,300		1,1	8132Л
170,000	215,000	34,000	170,300		1,1	8134Л
180,000	225,000	34,000	180,300		1,1	8136Л
180,000	225,000	34,000	183,000		1,1	8136НГ
180,000	250,000	56,000	180,300		1,5	8236
180,000	250,000	56,000	180,300		1,5	8236Л
180,000	300,000	95,000	184,000		3,0	8336НГ
180,000	300,000	95,000	184,000		3,0	8336НЛ
200,000	250,000	37,000	200,300		1,1	8140Л
200,000	250,000	37,000	203,000		1,1	8140НГ
200,000	280,000	62,000	200,300		2,0	8240Л
200,000	340,000	110,000	200,300		4,0	8340Л
220,000	270,000	37,000	223,000		1,1	8144НГ
220,000	270,000	37,000	223,000		1,1	8144НЛ
220,000	300,000	63,000	220,300		2,0	8244Л
238,000	340,000	70,000	238,300		2,1	8948Л
240,000	300,000	45,000	240,300		1,5	8148Л
260,000	320,000	45,000	260,300		1,5	8152Л
260,000	320,000	45,000	263,000		1,5	8152НГ
280,000	350,000	53,000	280,300		1,5	8156Л
280,000	350,000	53,000	283,000		1,5	8156НГ
280,000	380,000	80,000	280,300		2,1	8256Л
300,000	420,000	95,000	300,300		3,0	8260Г
300,000	435,000	104,000	305,000		4,0	8760К
320,000	400,000	63,000	320,400		2,0	8164Л



**38000**

These bearings can accommodate axial loads: single direction bearings can accommodate them in single direction and double direction bearings can accommodate them in double directions.

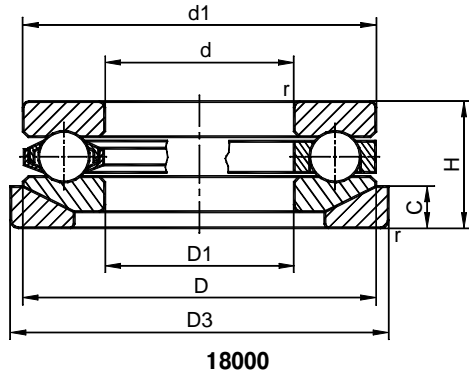
SERIES 8000, 38000, 808000, 1008000, 9008000

Грузоподъемность, Н Basic load ratings, N		Предельное число оборотов, об/мин Limiting speeds, n/min		Масса, кг Mass, kg	Условное обозначение подшипника Bearing designation	Завод-изготовитель Manufacturer	
динамич. dynamic	статич. static	при смазке lubrication					
C	C <sub>0</sub>	пласт. grease	жидк. oil	m	EPK EBC	Международное International	
238000	735000	900	1300	6,160	8230НЛ	51230M	ПТЗ-1
410000	1290000	670	900	16,100	8330Л	51330M	ПТЗ-1
296000	1000000	800	1100	16,800	38236	52236	ПТЗ-1
112000	430000	1200	1700	2,420	8132Л	51132M	ПТЗ-1
133000	500000	1100	1600	3,100	8134Л	51134M	ПТЗ-1
135000	530000	1000	1500	3,240	8136Л	51136M	ПТЗ-1
135000	530000	1000	1500	3,449	8136НГ	51136F	ПТЗ-1
296000	1000000	800	1100	8,440	8236	51236	ПТЗ-1
296000	1000000	800	1100	8,640	8236Л	51236M	ПТЗ-1
520000	1830000	560	750	25,660	8336НГ	51336F	ПТЗ-1
520000	1830000	560	750	25,900	8336НЛ	51336M	ПТЗ-1
168000	655000	950	1400	4,300	8140Л	51140M	ПТЗ-1
168000	655000	950	1400	4,080	8140НГ	51140F	ПТЗ-1
338000	1220000	750	1000	12,400	8240Л	51240M	ПТЗ-1
624000	2400000	480	630	42,800	8340Л	51340M	ПТЗ-1
178000	735000	900	1300	4,400	8144НГ	51144F	ПТЗ-1
178000	735000	900	1300	4,450	8144НЛ	51144M	ПТЗ-1
351000	1320000	700	950	13,600	8244Л	51244M	ПТЗ-1
340000	1375000	630	800	20,300	8948Л		ПТЗ-1
234000	965000	800	1100	7,500	8148Л	51148M	ПТЗ-1
238000	1020000	800	1100	7,930	8152Л	51152M	ПТЗ-1
238000	1020000	800	1100	7,580	8152НГ	51152F	ПТЗ-1
319000	1340000	700	950	12,000	8156Л	51156M	ПТЗ-1
319000	1340000	700	950	11,420	8156НГ	51156F	ПТЗ-1
394000	2160000	560	750	27,400	8256Л	51256M	ПТЗ-1
585000	2130000	480	360	43,300	8260Г	51260F	ПТЗ-1
533000	2555000	480	630	53,800	8760К		ПТЗ-1
371000	1700000	600	800	18,700	8164Л	51164M	ПТЗ-1

Возможные неточности и опечатки не могут являться основанием для юридических претензий  
No liability can be accepted for any errors and omissions



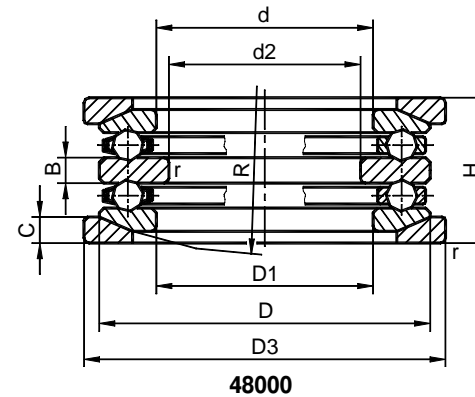
**ПОДШИПНИКИ ШАРИКОВЫЕ УПОРНЫЕ ОДИНАРНЫЕ И ДВОЙНЫЕ С ПОДКЛАДНЫМИ КОЛЬЦАМИ**



Воспринимают осевую нагрузку. Одинарные в одном направлении, двойные – в обоих направлениях. Наличие подкладного кольца позволяет компенсировать технологические погрешности обработки опорной поверхности корпуса.



**SINGLE DIRECTION AND DOUBLE DIRECTION THRUST BALL BEARINGS WITH BED RINGS**



These bearings can accommodate axial loads: single direction bearings can accommodate them in single direction and double direction bearings can accommodate them in double directions.

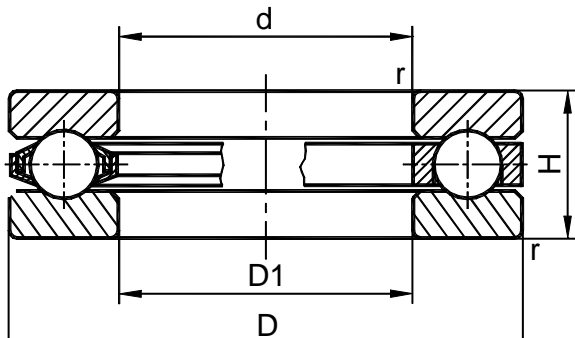
Bed ring permits to compensate technological inaccuracies of housing support surface working.

ТИП 18000, 48000

Размеры, мм Dimensions, mm										Условное обозначение подшипника Bearing designation	
d	D	H	d1	d2	D1	D3	C	B	R		r min
65,000	140,000	65,000	140,000		68,000	145,000	17,500			2,0	18413Л
100,000	150,000	45,000	150,000		100,200	155,000	14,000			1,1	18220К
100,000	170,000	64,000	170,000		100,200	175,000	18,000			1,5	18320Л
110,000	160,000	45,000	160,000		113,000	165,000	14,000			1,1	18222
110,000	190,000	72,000	190,000		110,200	195,000	20,500			1,1	18322К
120,000	170,000	46,000	170,000		120,200	175,000	15,000			1,1	18224
120,000	210,000	80,000	205,000		123,000	220,000	22,000			2,1	18324
123,000	210,000	143,000		100,000	123,000	220,000	22,000	27,000	160,000	2,1	48324
130,000	190,000	53,000	190,000		130,300	195,000	17,000			1,5	18226
130,000	270,000	128,000	265,000		134,000	280,000	38,000			4,0	18426Л
140,000	200,000	55,000	200,000		143,000	210,000	17,000			1,5	18228
430,000	570,000	135,000	570,000		433,000	600,000	42,300			4,0	18886
430,000	580,000	150,000	610,000		430,000	610,000	44,000			4,0	18786
580,000	780,000	195,000	780,000		585,000	800,000	51,500			6,0	189/580

СЕРИЯ 18000, 48000

Грузоподъемность, Н Basic load ratings, N		Предельное число оборотов, об/мин Limiting speeds, n/min		Масса, кг Mass, kg	Условное обозначение подшипника Bearing designation		Завод-изготовитель Manufacturer
динамич. dynamic	статич. static	при смазке lubrication			ЕПК EBC	Международное International	
C	Co	пласт. grease	жидк. oil	m			
216000	450000	1100	1600	5,160	18413Л	53413M+U413	ППЗ-1
124000	320000	1300	1800	2,610	18220К	53220+U220	ППЗ-1
229000	560000	950	1400	6,600	18320Л	53320M+U320	ППЗ-1
153000	385000	1200	1700	3,030	18222	53222+U222	ППЗ-1
276000	720000	850	1200	8,380	18322К	53322+U322	ППЗ-1
140000	400000	1100	1600	3,320	18224	53224+U224	ППЗ-1
325000	915000	800	1100	11,600	18324	53324+U324	ППЗ-1
325000	915000	800	1100	21,800	48324	54324+U324	ППЗ-1
203000	500000	950	1400	4,980	18226	53226+U226	ППЗ-1
520000	1600000	600	800	35,000	18426Л	53426M+U426	ППЗ-1
190000	570000	950	1400	5,760	18228	53228+U228	ППЗ-1
805000	4485000	200	260	112,010	18886		ППЗ-1
910000	5100000	200	260	132,700	18786		ППЗ-1
1190000	8110000	220	320	293,000	189/580		ППЗ-1

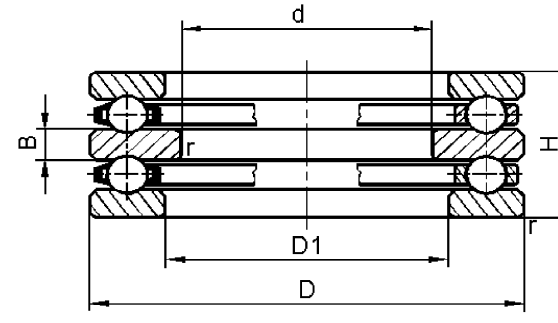


Воспринимают осевую нагрузку. Одинарные – в одном направлении, двойные – в обоих направлениях.

**8000, 808000, 1008000, 9008000**

**ТИП 8000, 38000, 808000, 1008000, 9008000**

Размеры, мм Dimensions, mm						Условное обозначение подшипника Bearing designation
d	D	H	D1	B	r min	
340,000	420,000	64,000	340,400		2,0	8168Г
340,000	440,000	50,000	340,400		2,0	8768
340,000	460,000	96,000	340,400		3,0	8268Л
340,000	540,000	160,000	341,000		5,0	8368Г
360,000	440,000	65,000	360,400		2,0	8172Л
360,000	500,000	110,000	360,400		4,0	8272Г
400,000	480,000	65,000	400,400		2,0	8180
440,000	540,000	60,000	442,000		2,1	9008188Л
455,000	650,000	120,000	457,000		4,0	8791
460,000	620,000	130,000	460,500		5,0	8292Г
480,000	650,000	135,000	480,500		5,0	8296Л
500,000	600,000	80,000	500,500		2,1	81/500Г
600,000	650,000	38,000	600,600		2,0	10089/600
630,000	850,000	175,000	680,600		6,0	82/630
630,000	850,000	175,000	630,600		6,0	82/630Л
670,000	800,000	105,000	672,000		4,0	81/670Г
670,000	1000,000	200,000	670,700		12,0	90083/670
1180,000	1280,000	80,000	1182,000		3,5	10089/1180К



These bearings can accommodate axial loads: single direction bearings can accommodate them in single direction and double direction bearings can accommodate them in double directions.

**38000**

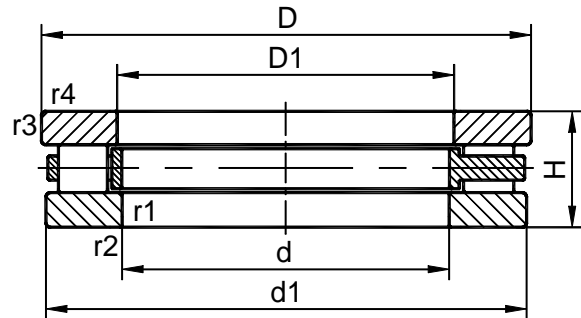
**SERIES 8000, 38000, 808000, 1008000, 9008000**

Грузоподъемность, Н Basic load ratings, N		Предельное число оборотов, об/мин Limiting speeds, r/min		Масса, кг Mass, kg	Условное обозначение подшипника Bearing designation		Завод-изготовитель Manufacturer
динамич. dynamic	статич. static	при смазке lubrication			ЕПК ЕВС	Международное International	
C	Co	гл.ст. grease	жидк. oil	m			
377000	1800000	600	800	20,500	8168Г	51168F	ППЗ-1
265000	1265000	480	630	18,289	8768		ППЗ-1
605000	2900000	450	600	49,000	8268Л	51268M	ППЗ-1
1040000	4300000	280	380	148,000	8368Г	51368F	ППЗ-1
390000	1900000	560	750	21,500	8172Л	51172M	ППЗ-1
741000	3800000	400	530	70,200	8272Г	51272F	ППЗ-1
403000	2120000	530	700	22,900	8180	51180M	ППЗ-1
425000	2410000	530	700	29,200	9008188Л		ППЗ-1
935000	5540000	200	240	116,000	8791		ППЗ-1
915000	5230000	200	260	118,000	8292Г	51292F	ППЗ-1
1020000	5200000	160	200	138,500	8296Л	51296M	ППЗ-1
550000	2800000	430	560	46,600	81/500Г	511/500F	ППЗ-1
220000	1350000	600	800	13,000	10089/600		ППЗ-1
1460000	8800000	190	280	251,800	82/630	512/630F	ППЗ-1
1460000	8800000	190	280	246,000	82/630Л	512/630M	ППЗ-1
804000	4800000	300	400	105,000	81/670Г	511/670F	ППЗ-1
1970000	12900000	170	240	479,000	90083/670		ППЗ-1
690000	6310000	220	320	103,300	10089/1180К		ППЗ-1





**ПОДШИПНИКИ РОЛИКОВЫЕ УПОРНЫЕ ОДИНАРНЫЕ  
С ЦИЛИНДРИЧЕСКИМИ РОЛИКАМИ**



**ТИП 9000, 709000, 9009000, 9809000**

Размеры, мм Dimensions, mm							Условное обозначение подшипника Bearing designation
d	D	H	d1	D1	r1,2 min	r3,4 min	
114,732	177,800	44,577	165,200	120,500	2,0	2,0	709723
115,163	177,800	44,577	165,200	120,500	2,0	2,0	709823
160,000	225,000	51,000	222,000	163,000	1,5	1,5	9232
165,100	241,338	57,277	239,700	166,700	3,0	3,0	9733
260,000	420,000	95,000	420,000	260,000	5,0	5,0	9809352
600,000	710,000	67,000	705,000	604,000	3,0	3,0	90091/600
950,000	1120,000	103,000	1120,000	955,000	5,0	5,0	90091/950



**SINGLE DIRECTION THRUST BEARINGS WITH CYLINDRICAL  
ROLLERS**

Воспринимают осевую нагрузку, действующую в одном направлении. Сепаратор массивный из стали или цветных металлов.

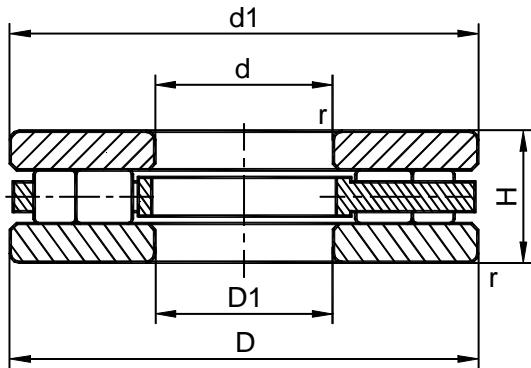
These bearings can accommodate axial loads acting in single direction. Cage is form-stable made of steel or nonferrous metals.

**SERIES 9000, 709000, 9009000, 9809000**

Грузоподъемность, Н Basic load ratings, N		Масса, кг Mass, kg	Условное обозначение подшипника Bearing designation		Завод-изготовитель Manufacturer
динамич. dynamic	статич. static		ЕПК EBC	Международное International	
C	Co	m			
320000	510000	3,930	709723	F1741B	ВПЗ-15
320000	510000	3,930	709823	F1740B	ВПЗ-15
472000	1711000	6,710	9232	81232	ВПЗ-15
570000	1017000	9,300	9733	F1937B	ВПЗ-15
1225000	6060000	57,100	9809352		ГПЗ-1
1760000	11200000	49,600	90091/600		ГПЗ-1
2710000	22100000	221,000	90091/950		ГПЗ-1



**ПОДШИПНИКИ РОЛИКОВЫЕ УПОРНЫЕ ОДИНАРНЫЕ  
С ЦИЛИНДРИЧЕСКИМИ РОЛИКАМИ ДВУХРЯДНЫЕ**



Наличие двух коротких роликов в одном гнезде сепаратора уменьшает проскальзывание между поверхностями качения роликов и колец, возникающее из-за разности линейных скоростей. В подшипниках типа 889000 комплект роликов с сепаратором и свободным кольцом, соединенные кожухом, образуют неразборный блок, что облегчает их монтаж и демонтаж.

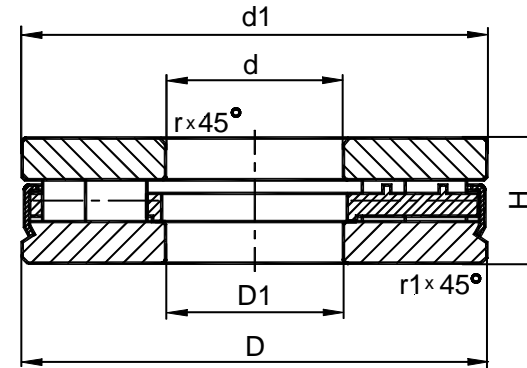
**9009000**

ТИП 889000, 9009000

Размеры, мм Dimensions, mm							Условное обозначение подшипника Bearing designation
d	D	H	d1	D1	r	r1	
70,000	125,000	24,000	125,000	70,000	1,1	1,1	889814
90,000	155,000	27,000	155,000	90,000	1,5	1,5	889818
110,000	230,000	73,000	230,000	110,200	3,0		9009422
200,000	400,000	122,000	400,000	200,300	5,0		9009440



**DOUBLE-ROW SINGLE DIRECTION THRUST BEARINGS  
WITH CYLINDRICAL ROLLERS**



Two short rollers in a single cage socket reduce sliding between roller and ring raceways coming of line speed difference. In bearings of 889000 series the roller set with cage and loose ring into the cover is non-separable unit. This facilitates their mounting and dismantling.

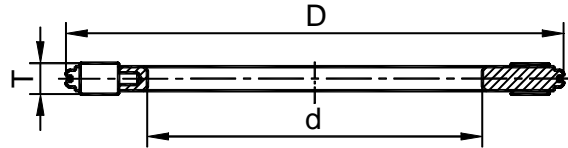
**889000**

SERIES 889000, 9009000

Грузоподъемность, Н Basic load ratings, N		Масса, кг Mass, kg	Условное обозначение подшипника Bearing designation		Завод-изготовитель Manufacturer
динамич. dynamic C	статич. static Co		ЕПК EBC	Международное International	
157000	739000	1,450	889814		ВПЗ-15
221000	1140000	2,400	889818		ВПЗ-15
1000000	3400000	16,100	9009422	89422	ППЗ-1
2700000	10200000	79,400	9009440	89440	ППЗ-1



**ПОДШИПНИКИ РОЛИКОВЫЕ УПОРНЫЕ  
С ЦИЛИНДРИЧЕСКИМИ РОЛИКАМИ БЕЗ КОЛЕЦ**



**ТИП 899000**

Размеры, мм Dimensions, mm			Условное обозначение подшипника Bearing designation
d	D	T	
220,000	254,000	5,500	<b>899944</b>



**THRUST BEARINGS WITH CYLINDRICAL ROLLERS  
WITHOUT RINGS**

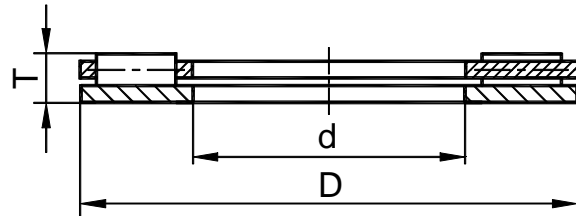
Применяются при необходимости уменьшения осевых габаритов узла. Твердость и точность поверхностей качения корпуса, контактирующих с поверхностью качения роликов, должны быть такими же, как и у колец подшипников.

These bearings are applied for reduction of axial unit dimensions. Hardness and accuracy of the housing raceway, contacting with roller rolling surface, must be the same as that of bearing rings.

**SERIES 899000**

Грузоподъемность, Н Basic load ratings, N		Масса, кг Mass, kg	Условное обозначение подшипника Bearing designation	Завод-изготовитель Manufacturer
динамич. dynamic	статич. static			
C	Co	m	<b>ЕПК</b> <b>ЕВС</b> Международное International	ВПЗ-15
93000	630000	0,503	<b>899944</b>	

**ПОДШИПНИКИ РОЛИКОВЫЕ УПОРНЫЕ  
С ИГОЛЬЧАТЫМИ РОЛИКАМИ С ОДНИМ КОЛЬЦОМ**



**THRUST BEARINGS WITH NEEDLE ROLLERS  
WITH SINGLE RING**

Применяются при необходимости уменьшения осевых габаритов узла. Твердость и точность поверхности качения корпуса, контактирующей с поверхностью качения роликов, должна быть такой же, как и у колец подшипника.

These bearings are applied for reduction of axial unit dimensions. Hardness and accuracy of the housing raceway, contacting with roller rolling surface, must be the same as that of bearing rings.

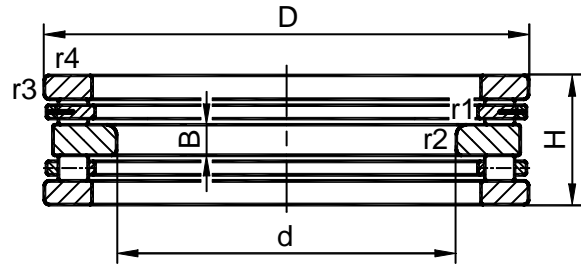
**ТИП 109000**

Размеры, мм Dimensions, mm			Условное обозначение подшипника Bearing designation
d	D	T	
190,000	230,000	4,000	<b>109738K</b>

**SERIES 109000**

Грузоподъемность, Н Basic load ratings, N		Масса, кг Mass, kg	Условное обозначение подшипника Bearing designation	Завод-изготовитель Manufacturer
динамич. dynamic C	статич. static Co			
54000	458000	0,754	<b>ЕПК</b> <b>EBC</b> Международное International	ВПЗ-15

**ПОДШИПНИКИ РОЛИКОВЫЕ УПОРНЫЕ  
С ЦИЛИНДРИЧЕСКИМИ РОЛИКАМИ ДВОЙНЫЕ**



**ТИП 59000**

Размеры, мм Dimensions, mm						Условное обозначение подшипника Bearing designation
d	D	B	H	r1,2 min	r3,4 min	
400,000	570,000	36,000	152,000	3,0	6,0	<b>59891</b>

**DOUBLE DIRECTION THRUST BEARINGS  
WITH CYLINDRICAL ROLLERS**

Воспринимают осевую нагрузку в обоих направлениях. Сепаратор массивный сборной конструкции из латуни.

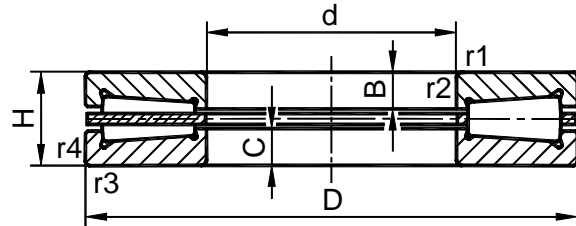
These bearings can accommodate axial loads in double directions. Form-stable brass cage has separable design.

**SERIES 59000**

Грузоподъемность, Н Basic load ratings, N		Масса, кг Mass, kg	Условное обозначение подшипника Bearing designation			Завод-изготовитель Manufacturer
динамич. dynamic C	статич. static Co		ЕПК EBC	Международное International	IBO	
1562000	4144000	97,800	<b>59891</b>	2Y400-2	IBO	ВПЗ-15



**ПОДШИПНИКИ РОЛИКОВЫЕ УПОРНЫЕ ОДИНАРНЫЕ  
С КОНИЧЕСКИМИ РОЛИКАМИ**



**ТИП 19000, 9019000**

Размеры, мм Dimensions, mm							Условное обозначение подшипника Bearing designation
d	D	H	B	C	r1,2 min	r3,4 min	
120,000	250,000	78,000	27,300	27,300	4,0	4,0	9019424
180,000	360,000	109,000	37,000	37,000	5,0	5,0	9019436K
@ 254,000	539,750	117,4749	47,500	47,500	12,0	12,0	19951XГК1
260,000	480,000	132,000	44,000	44,000	6,0	6,0	9019452K

@ – исполнение посадочных поверхностей соответствует дюймовой системе допусков (отклонение в плюс)  
 @ – design of fitting surfaces complies with inch system of tolerances (deviation with plus)



**SINGLE DIRECTION THRUST TAPER ROLLER BEARINGS**

Воспринимают большие осевые нагрузки при небольших числах оборотов. Сепараторы изготавливают из цветных металлов или сталей.

These bearings can accommodate high axial loads at the small number of revolutions. Cages are made of nonferrous metals and steels.

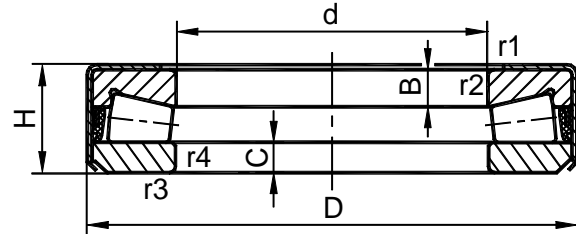
**SERIES 19000, 9019000**

Грузоподъемность, Н Basic load ratings, N		Предельное число оборотов, об/мин Limiting speeds, n/min		Масса, кг Mass, kg	Условное обозначение подшипника Bearing designation	Завод-изготовитель Manufacturer
динамич. dynamic	статич. static	при смазке lubrication				
C	Co	пласт. grease	жидк. oil	m	ЕПК ЕВС	Международное International
760000	3616000	200	260	20,100	9019424	ГПЗ-1
1570000	6466000	160	200	55,400	9019436K	ГПЗ-1
5480000	19300000	125	160	144,300	19951XГК1	ВПЗ-15
2150000	12314000	125	160	114,000	9019452K	ГПЗ-1

Возможные неточности и опечатки не могут являться основанием для юридических претензий  
 No liability can be accepted for any errors and omissions



**ПОДШИПНИКИ РОЛИКОВЫЕ УПОРНЫЕ ОДИНАРНЫЕ  
КОНИЧЕСКИЕ БЕССЕПАРАТОРНЫЕ  
ЗАПОЛНЕННЫЕ СМАЗКОЙ, В КОЖУХЕ**



**ТИП 29000**

Размеры, мм Dimensions, mm							Условное обозначение подшипника Bearing designation
d	D	H	B	C	r1,2 min	r3,4 min	
38,000	67,000	21,500	7,000	7,000	1,5	0,3	<b>29908K1</b>
50,000	78,000	22,000	8,000	5,000	1,5	0,5	<b>29910K1</b>
50,000	78,500	17,500	6,000	5,000	1,0	1,0	<b>29910C17</b>



**SINGLE DIRECTION THRUST TAPER ROLLER BEARINGS  
WITHOUT CAGES GREASED, IN COVER**

Обладают максимальной грузоподъемностью при минимальных габаритных размерах. Предназначены для восприятия осевых нагрузок при небольших числах оборотов. Наличие металлического штампованного кожуха обеспечивает неразборность подшипника, что облегчает монтаж в процессе сборки подшипникового узла.

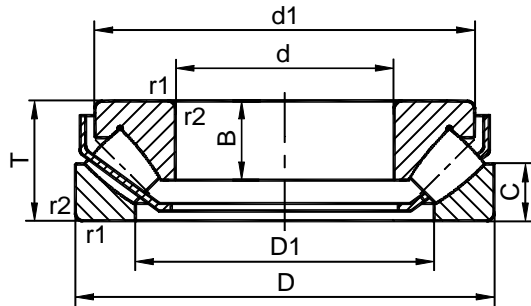
These bearings have the maximum load carrying capacity with minimum nominal sizes. They are intended for accommodation of axial loads at the small number of revolutions. The metal pressed over provides unseparability of the bearing; this facilitates mounting during bearing unit assembly.

**SERIES 29000**

Грузоподъемность, Н Basic load ratings, N		Масса, кг Mass, kg	Условное обозначение подшипника Bearing designation		Завод-изготовитель Manufacturer
динамич. dynamic C	статич. static Co		ЕПК EBC	Международное International	
90000	227600	0,306	<b>29908K1</b>		ГПЗ-1
101300	248500	0,339	<b>29910K1</b>		ГПЗ-1
104700	371000	0,343	<b>29910C17</b>		ВПЗ-15



**ПОДШИПНИКИ РОЛИКОВЫЕ УПОРНО-РАДИАЛЬНЫЕ СФЕРИЧЕСКИЕ**



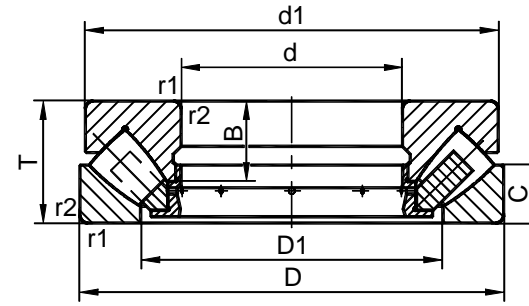
9039000K

Воспринимают большие осевые и небольшие радиальные нагрузки. Допускают более высокие скорости вращения по сравнению с упорными роликоподшипниками других типов.

Самоустанавливаются относительно центра сферической дорожки качения свободного кольца. Сепараторы штампованные или массивные из стали или цветных металлов. Массивный сепаратор центрируется и поддерживается втулкой, запрессованной в «тугое кольцо».



**RADIAL SPHERICAL THRUST ROLLER BEARINGS**



9039000

These bearings can accommodate high axial and light radial loads. They permit higher rotation speeds than other thrust roller bearings. They can self-align relatively to the center of the spherical raceway of the loose ring.

Cages are pressed and form-stable of steel and nonferrous metals. The form-stable cage is centered and supported by sleeve pressed into «tight ring».

**ТИП 9039000**

Размеры, мм Dimensions, mm								Условное обозначение подшипника Bearing designation
d	d1	D	D1	T	B	C	r1,2 min	
100,000	163,000	170,000	129,000	42,000	26,000	20,800	1,5	9039320
110,000	176,000	190,000	143,000	48,000	30,000	23,000	2,0	9039322
140,000	268,000	280,000	199,000	85,000	55,000	41,000	4,0	9039428
240,000	353,000	380,000	289,000	85,000	51,300	41,000	4,0	9039348K
260,000	405,000	420,000	329,000	95,000	60,000	45,000	5,0	9039352
260,000	460,000	480,000	357,000	132,000	84,000	64,000	6,0	9039452X
320,000	482,000	500,000	399,000	109,000	69,000	53,000	5,0	9039364X
360,000	610,000	640,000	480,000	170,000	109,000	82,000	7,5	9039472X
400,000	526,000	540,000	460,000	85,000	53,000	42,000	4,0	9039280
440,000	655,000	680,000	548,000	145,000	90,000	70,000	6,0	9039388
440,000	745,000	780,000	588,000	206,000	132,000	100,000	9,5	9039488X
500,000	830,000	870,000	661,000	224,000	142,000	107,000	9,5	90394/500X
710,000	1165,000	1220,000	925,000	308,000	192,000	150,000	15,0	90394/710X

**SERIES 9039000**

Грузоподъемность, Н Basic load ratings, N		Предельное число оборотов, об/мин Limiting speeds, n/min	Масса, кг Mass, kg	Условное обозначение подшипника Bearing designation		Завод-изготовитель Manufacturer
динамич. dynamic	статич. static			ЕПК EBC	Международное International	
313000	993000	2000	4,060	9039320	29320	ВПЗ-15
381000	1203000	1800	5,750	9039322	29322	ВПЗ-15
1400000	3500000	1200	25,000	9039428	29428MS	ГПЗ-1
1450000	5340000	900	32,640	9039348K	29348E	ВПЗ-15
2220000	6400000	800	52,600	9039352	29352MS	ГПЗ-1
3500000	9500000	670	111,900	9039452X	29452MS	ГПЗ-1
2880000	11200000	650	83,300	9039364X	29364MS	ГПЗ-1
5350000	21200000	500	228,000	9039472X	29472MS	ГПЗ-1
1610000	8000000	700	56,500	9039280	29280MS	ГПЗ-1
4490000	19300000	480	193,000	9039388	29388MS	ГПЗ-1
6500000	25000000	420	440,000	9039488X	29488MS	ГПЗ-1
9370000	40000000	330	577,000	90394/500X	294/500MS	ГПЗ-1
17600000	76500000	220	1543,00	90394/710X	294/710MS	ГПЗ-1





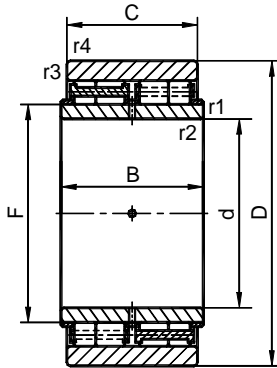
## **SPECIAL BEARINGS**

Bearings of non-standard sizes or non-standard design – elaborated considering special features of the corresponding unit – are put in a special bearing section. Basically, there are multi-row bearings and sets of bearings of different design with cylindrical rollers applied in units and mechanisms of metallurgical industry; linear displacement bearings (БР), providing high accuracy linear displacement and positioning of machine guides; taper cassette journal bearings (ТБУ) applied in wheel pair supports for railway transport, in tram-cars and gantry cranes.

Support rollers (862000) and greased support rollers with pin (ОР) and thick-walled outer ring applied in different guides also refer to special cylindrical roller bearings.

Bearings with short cylindrical rollers for railway transport are put in a separable table. They are used in locomotive, railway and underground carriages journal units.

## ПОДШИПНИКИ РОЛИКОВЫЕ РАДИАЛЬНЫЕ С КОРОТКИМИ ЦИЛИНДРИЧЕСКИМИ РОЛИКАМИ ЧЕТЫРЕХРЯДНЫЕ (И ЕГО КОМПЛЕКТЫ)


**ТИП 372000, 462000**

Размеры, мм Dimensions, mm							Условное обозначение подшипника Bearing designation	
d	D	B	C	F	r1,2 min	r3,4 min		
50,000	120,000	82,000	78,000	65,000	2,0	1,1	<b>372710X</b>	
50,000	120,000	82,000	78,000	65,000	2,0	1,1	<b>372710XV4</b>	
75,000	180,000	94,000	90,000	95,000	2,0	3,0	<b>462815V4</b>	
75,000	180,000	94,000	90,000	95,000	2,0	3,0	<b>462815XV</b>	
75,000	180,000	94,000	90,000	95,000	2,0	3,0	<b>462815XV6</b>	
75,000	180,000	94,000	90,000	95,000	2,0	3,0	<b>46281Y</b>	

## RADIAL FOUR-ROW BEARINGS WITH SHORT CYLINDRICAL ROLLERS (AND SETS)

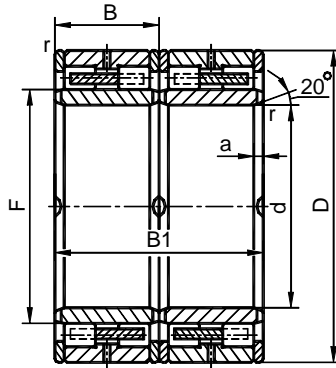
Воспринимают только радиальную нагрузку. Допускают двустороннее относительное осевое перемещение колец.

These bearings can accommodate only radial load. They permit double direction relative axial displacement of the rings.

**SERIES 372000, 462000**

Грузоподъемность, Н Basic load ratings, N		Масса, кг Mass, kg	Условное обозначение подшипника Bearing designation		Завод-изготовитель Manufacturer
динамич. dynamic	статич. static		ЕПК EBC	Международное International	
C	Co	m			
220000	368000	4,960	<b>372710X</b>		ГПЗ-1
647000	1472000	19,800	<b>372710XV4</b>		ГПЗ-1
1045000	2312000	51,200	<b>462815V4</b>		ГПЗ-1
355000	578000	13,800	<b>462815XV</b>		ГПЗ-1
1430000	3468000	82,800	<b>462815XV6</b>		ГПЗ-1
355000	578000	13,800	<b>46281Y</b>		ГПЗ-1

**ПОДШИПНИКИ РОЛИКОВЫЕ РАДИАЛЬНЫЕ  
С КОРОТКИМИ ЦИЛИНДРИЧЕСКИМИ РОЛИКАМИ  
(КОМПЛЕКТ ИЗ ДВУХРЯДНЫХ ПОДШИПНИКОВ)**



**ТИП 442000, 462000, 6462000**

Размеры, мм Dimensions, mm							Условное обозначение подшипника Bearing designation
d	D	B	B1	F	a	r min	
120,000	165,000	45,000	90,000	131,000		1,8	<b>442924Y2</b>
180,000	260,000	90,000	180,000	200,000	8,000	2,1	<b>462736MY2</b>
190,000	290,000	90,000	180,000	216,000	7,000	1,1	<b>6462138KY</b>
240,000	360,000	140,000	280,000	274,000	10,000	3,0	<b>462748Y2</b>
630,000	850,000	265,000	530,000	690,000	15,000	6,0	<b>4627/630XY2</b>

**RADIAL BEARINGS WITH SHORT CYLINDRICAL ROLLERS  
(SET OF DOUBLE-ROW BEARINGS)**

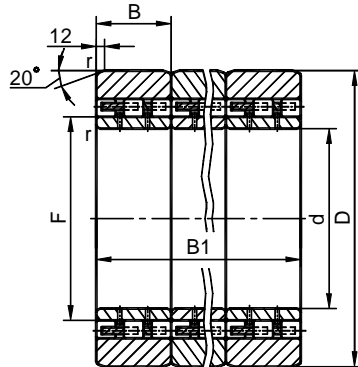
Воспринимают только радиальную нагрузку. Допускают двустороннее относительное осевое перемещение колец.

These bearings can accommodate only radial load. They permit double direction relative axial displacement of the rings.

**SERIES 442000, 462000, 6462000**

Грузоподъемность, Н Basic load ratings, N		Масса, кг Mass, kg	Условное обозначение подшипника Bearing designation	Завод-изготовитель Manufacturer
динамич. dynamic C	статич. static Co			
		m	<b>ЕПК</b> Международное <b>EBC</b> International	
284000	557000	6,140	<b>442924Y2</b>	ГПЗ-1
1000000	2246400	31,400	<b>462736MY2</b>	ГПЗ-1
1278000	2703000	52,940	<b>6462138KY</b>	ГПЗ-1
2217000	5464000	99,600	<b>462748Y2</b>	ГПЗ-1
8277000	25920000	880,000	<b>4627/630XY2</b>	ГПЗ-1

## ПОДШИПНИКИ РОЛИКОВЫЕ РАДИАЛЬНЫЕ С КОРОТКИМИ ЦИЛИНДРИЧЕСКИМИ РОЛИКАМИ ТРЕХРЯДНЫЕ (И ЕГО КОМПЛЕКТЫ)


**ТИП 462000**

Размеры, мм Dimensions, mm						Условное обозначение подшипника Bearing designation
d	D	B	B1	F	r min	
100,000	225,000	120,000		120,000	2,3	<b>462820</b>
100,000	225,000	120,000	480,000	120,000	2,3	<b>462820V4</b>
130,000	300,000	150,000		160,500	1,1	<b>462826V</b>
130,000	300,000	150,000	900,000	160,500	1,1	<b>462826V6</b>

## RADIAL THREE-ROW BEARINGS WITH SHORT CYLINDRICAL ROLLERS (AND SETS)

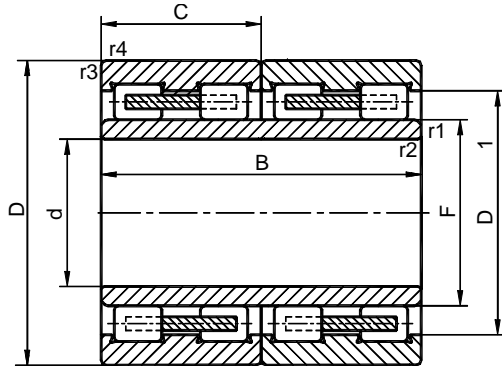
Воспринимают только радиальную нагрузку.  
Допускают двустороннее относительное осевое перемещение колец.

These bearings can accommodate only radial load. They permit double direction relative axial displacement of the rings.

**SERIES 462000**

Грузоподъемность, Н Basic load ratings, N		Масса, кг Mass, kg	Условное обозначение подшипника Bearing designation		Завод-изготовитель Manufacturer
динамич. dynamic C	статич. static Co		<b>ЕПК</b> <b>EBC</b>	Международное International	
747000	1432000	28,750	<b>462820</b>		ППЗ-1
2196000	5727000	115,000	<b>462820V4</b>		ППЗ-1
1277000	5148000	62,100	<b>462826V</b>		ППЗ-1
2322000	13935000	372,600	<b>462826V6</b>		ППЗ-1

**ПОДШИПНИКИ РОЛИКОВЫЕ РАДИАЛЬНЫЕ С КОРОТКИМИ  
ЦИЛИНДРИЧЕСКИМИ РОЛИКАМИ С БЕЗБОРТОВЫМ  
ВНУТРЕННИМ КОЛЬЦОМ ЧЕТЫРЕХРЯДНЫЕ**



**ТИП 582000**

Размеры, мм Dimensions, mm								Условное обозначение подшипника Bearing designation
d	D	B	C	F	D1	r1,2 min	r3,4 min	
265,000	370,000	234,000	117,000	300,000	336,000	2,1	2,1	<b>582753Л</b>

**RADIAL FOUR-ROW ROLLER BEARINGS WITH SHORT  
CYLINDRICAL ROLLERS AND FLANGELESS INNER RING**

Воспринимают только радиальную нагрузку. Допускают двустороннее относительное осевое перемещение колец.

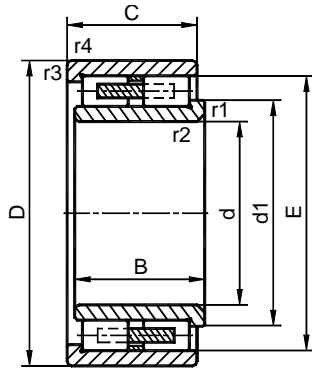
These bearings can accommodate only radial load. They permit double direction relative axial displacement of the rings.

**SERIES 582000**

Грузоподъемность, Н Basic load ratings, N		Масса, кг Mass, kg	Условное обозначение подшипника Bearing designation			Завод-изготовитель Manufacturer
динамич. dynamic C	статич. static Co		ЕПК EBC	Международное International	FAG	
1960000	5370000	80,370	<b>582753Л</b>	517423	FAG	ВР3-15



## ПОДШИПНИКИ РОЛИКОВЫЕ С ЦИЛИНДРИЧЕСКИМИ РОЛИКАМИ ДВУХРЯДНЫЕ



**ТИП 772000**

Размеры, мм Dimensions, mm								Условное обозначение подшипника Bearing designation
d	D	B	C	E	d1	r1,2 min	r3,4 min	
170,000	320,000	153,000	154,000	281,000	223,000	32,0	2,7	<b>772734M</b>
170,000	320,000	154,000	154,000	281,000	222,700	12,0	4,0	<b>772734M1</b>



## DOUBLE-ROW CYLINDRICAL ROLLER BEARINGS

Воспринимают радиальную нагрузку и кратковременную небольшую осевую нагрузку, фиксируя вал в обоих направлениях.

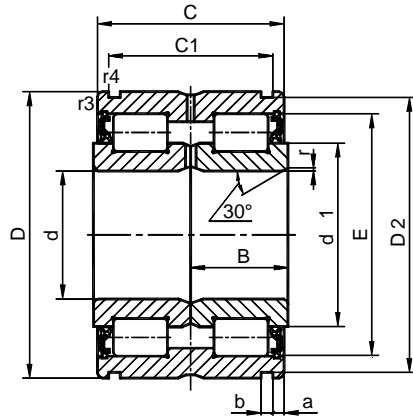
These bearings can accommodate radial and light short-time axial load fixing a shaft in both directions.

**SERIES 772000**

Грузоподъемность, Н Basic load ratings, N		Предельное число оборотов, об/мин Limiting speeds, n/min		Масса, кг Mass, kg	Условное обозначение подшипника Bearing designation	Завод-изготовитель Manufacturer
динамич. dynamic	статич. static	при смазке lubrication				
C	Co	пласт. grease	жидк. oil	m	<b>ЕПК</b> <b>EBC</b>	Международное International
1510000	2630000	560	1100	61,200	<b>772734M</b>	ГПЗ-1
1510000	2630000	560	1100	58,970	<b>772734M1</b>	ВПЗ-15



**ПОДШИПНИКИ РОЛИКОВЫЕ РАДИАЛЬНЫЕ С КОРОТКИМИ  
ЦИЛИНДРИЧЕСКИМИ РОЛИКАМИ ДВУХРЯДНЫЕ  
БЕССЕПАРАТОРНЫЕ С ДВУСТОРОННИМ УПЛОТНЕНИЕМ**



**ТИП 982000**

Размеры, мм Dimensions, mm											Условное обозначение подшипника Bearing designation	
d	D	B	C	E	d1	D2	C1	a	b	r		r3,4 min
130,000	200,000	47,500	94,000	183,500	154,000	196,000	83,200	5,4	4,2	1,8	0,6	<b>982826K</b>



**RADIAL DOUBLE-ROW BEARINGS  
WITH SHORT CYLINDRICAL ROLLERS, CAGELESS,  
WITH TWO-SIDED SEAL**

Обладают максимальной грузоподъемностью за счет полного заполнения роликами. С двух сторон закрыты уплотнениями. Устанавливаются в корпус при помощи стопорных колец.

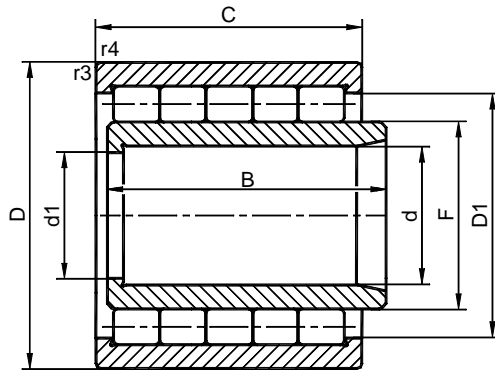
These bearings have the maximum load carrying capacity owing to complete filling with rollers. The bearings are sealed from both sides. They are fixed in the bearing body with help of locking rings.

**SERIES 982000**

Грузоподъемность, Н Basic load ratings, N		Предельное число оборотов, об/мин Limiting speeds, n/min при смазке lubrication	Масса, кг Mass, kg	Условное обозначение подшипника Bearing designation		Завод-изготовитель Manufacturer
динамич. dynamic	статич. static			ЕПК	Международное International	
C	Co	пласт. grease	m	<b>ЕПК</b>	Международное International	ВПК-15
581000	1090000	630	10,580	<b>982826K</b>	NNF5026 ADA-2LSV SKF	ВПК-15



**ПОДШИПНИКИ РОЛИКОВЫЕ ЦИЛИНДРИЧЕСКИЕ  
С ДВУХБОРТОВЫМ НАРУЖНЫМ КОЛЬЦОМ И УПОРНЫМ  
БОРТОМ ПО ОТВЕРСТИЮ ВНУТРЕННЕГО КОЛЬЦА**



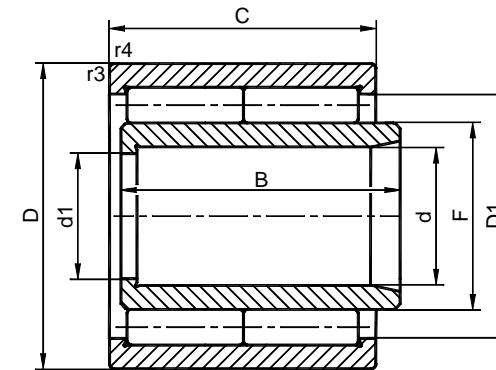
**6622947**

**ТИП 6622000**

Размеры, мм Dimensions, mm								Условное обозначение подшипника Bearing designation
d	D	B	C	F	d1	D1	r3,4 min	
237,000	309,170	136,000	124,560	261,720	230,000	280,000	2,1	<b>6622947</b>
237,000	309,170	136,000	124,560	261,720	230,000	280,000	2,1	<b>6624947</b>



**CYLINDRICAL ROLLER BEARINGS WITH DOUBLE-FLANGE  
OUTER RING AND WITH FLANGE ALONG INNER RING BORE**



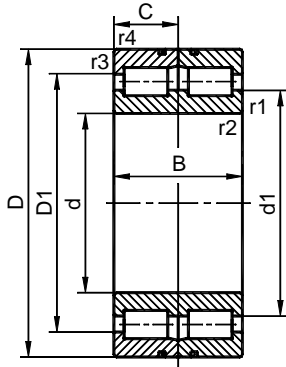
**6624947**

**SERIES 6622000**

Грузоподъемность, Н Basic load ratings, N		Масса, кг Mass, kg	Условное обозначение подшипника Bearing designation		Завод-изготовитель Manufacturer
динамич. dynamic C	статич. static Co		ЕПК EBC	Международное International	
1120000	3840000	28,340	<b>6622947</b>		ВПЗ-15
1110000	3930000	28,340	<b>6624947</b>		ВПЗ-15



## ПОДШИПНИКИ РОЛИКОВЫЕ С ЦИЛИНДРИЧЕСКИМИ РОЛИКАМИ ДВУХРЯДНЫЕ НЕРАЗБОРНОЙ КОНСТРУКЦИИ



### ТИП 4722000

Размеры, мм Dimensions, mm								Условное обозначение подшипника Bearing designation
d	D	B	C	d1	D1	r1,2 min	r3,4 min	
160,000	220,000	60,000	30,000	181,000	199,500	2,0	2,0	<b>4722932</b>
220,000	300,000	80,000	40,000	248,000	268,500	2,1	2,1	<b>4722944</b>
240,000	320,000	80,000	40,000	271,000	291,000	2,1	2,1	<b>4722948</b>
260,000	360,000	100,000	50,000	296,300	321,000	2,1	2,1	<b>4722952M</b>

## DOUBLE-ROW CYLINDRICAL ROLLER BEARINGS NON-SEPARABLE

Обладают максимальной грузоподъемностью за счет полного заполнения роликами. Неразборность конструкции обеспечивается пружинным кольцом, соединяющим воедино два наружных кольца.

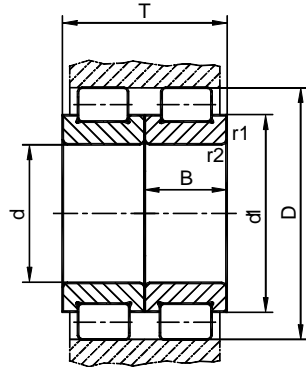
These bearings have the maximum load carrying capacity because of complete filling with rollers. The spring ring connecting together two outer rings provides non-separability of this design.

### SERIES 4722000

Грузоподъемность, Н Basic load ratings, N		Предельное число оборотов, об/мин Limiting speeds, n/min		Масса, кг Mass, kg	Условное обозначение подшипника Bearing designation			Завод-изготовитель Manufacturer
динамич. dynamic	статич. static	при смазке lubrication			ЕПК EBC	Международное International	INA	
C	Co	пласт. grease	жидк. oil	m				
412000	811000	1700	1100	5,610	<b>4722932</b>	SL014932	INA	ВПЗ-15
689000	1610000	1200	750	16,900	<b>4722944</b>	SL014944	INA	ВПЗ-15
722000	1760000	1200	700	17,915	<b>4722948</b>	SL014948	INA	ВПЗ-15
1050000	2530000	1000	600	31,815	<b>4722952M</b>	SL014952	INA	ВПЗ-15



**ПОДШИПНИКИ РОЛИКОВЫЕ С ЦИЛИНДРИЧЕСКИМИ РОЛИКАМИ БЕЗ НАРУЖНОГО КОЛЬЦА, СДВОЕННЫЕ И СТРОЕННЫЕ**



**712000Y2**

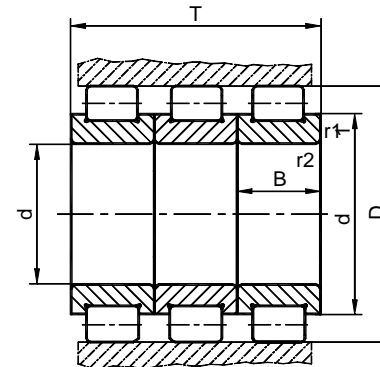
Применяются при необходимости уменьшения радиальных габаритов узла. Твердость и точность обработки поверхности корпуса, контактирующей с поверхностью качения роликов, должны быть такими же, как и у колец подшипника.

**ТИП 712000Y2, 712000Y3, 3712000Y3**

Размеры, мм Dimensions, mm						Условное обозначение подшипника Bearing designation
d	D по роликам	B	T	d1	r1,2 min	
30,000	55,000	20,000	40,000	40,800	1,0	<b>712506Y2</b>
35,000	64,000	23,000	46,000	47,000	1,1	<b>712507Y2</b>
45,000	74,500	23,000	69,000	57,600	1,1	<b>712509Y3</b>
55,000	83,500	26,000	78,000	67,700	1,1	<b>371211Y3</b>
110,000	156,000	45,000	135,000	127,500	2,0	<b>371212Y3</b>



**CYLINDRICAL ROLLER BEARINGS WITHOUT OUTER RING DOUBLED AND TRIPLED**



**712000Y3, 3712000Y3**

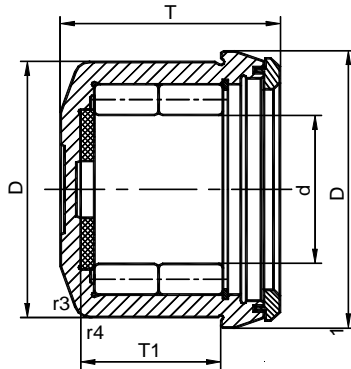
These bearings are used for reduction of radial unit dimensions. Hardness and fitting accuracy of the housing surface contacting with the raceway surface must be the same as of the bearing ring.

**SERIES 712000Y2, 712000Y3, 3712000Y3**

Грузоподъемность, Н Basic load ratings, N		Масса, кг Mass, kg	Условное обозначение подшипника Bearing designation			Завод-изготовитель Manufacturer
динамич. dynamic C	статич. static Co		ЕПК EBC	Международное International		
104000	128000	0,334	<b>712506Y2</b>	RSL182206-2S INA	ВПЗ-15	
129000	165000	0,530	<b>712507Y2</b>	RSL182207-2S INA	ВПЗ-15	
201000	306000	0,990	<b>712509Y3</b>	RSL182209-3S INA	ВПЗ-15	
243000	420000	1,278	<b>371211Y3</b>	RSL183011-3S INA	ВПЗ-15	
716000	1480000	6,780	<b>371212Y3</b>	RSL183022-3S INA	ВПЗ-15	



**ПОДШИПНИКИ РОЛИКОВЫЕ С ЦИЛИНДРИЧЕСКИМИ РОЛИКАМИ ДВУХРЯДНЫЕ С ГЛУХИМ НАРУЖНЫМ КОЛЬЦОМ – КАРДАННЫЕ**



**ТИП 812000**

Размеры, мм Dimensions, mm						Условное обозначение подшипника Bearing designation
d по роликам	D	D1	T	T1	r <sub>3,4</sub> min	
51,500	83,000	90,000	71,230	44,500	3,0	<b>812810</b>



**DOUBLE-ROW CYLINDRICAL ROLLER BEARINGS WITH BLIND OUTER RING – CARDAN**

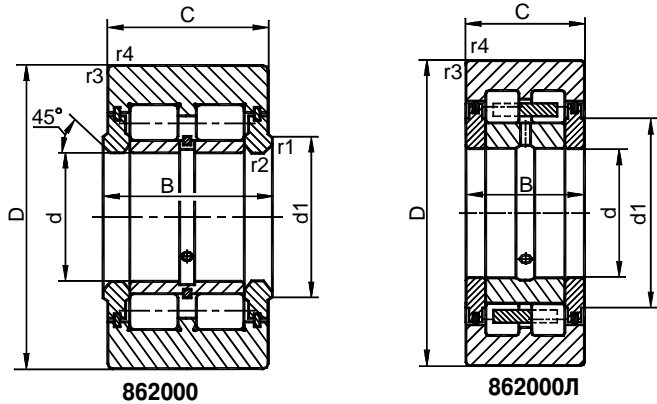
Комплект роликов, установленных в кольцо, подобран таким образом, что обеспечивает неразборность подшипника при транспортировке и монтаже. Поверхность вала, контактирующая с поверхностью качения роликов, должна иметь твердость и точность обработки такую же, как и кольца подшипника. Применяются в узлах с качательным движением.

The set of rollers fixed into the ring is selected in order to provide bearing non-separability by transportation and mounting. The shaft surface contacting with the raceway surface must have the same hardness and fitting accuracy as the bearing ring. They are used in swinging units.

**SERIES 812000**

Грузоподъемность, Н Basic load ratings, N		Масса, кг Mass, kg	Условное обозначение подшипника Bearing designation	Завод-изготовитель Manufacturer
динамич. dynamic C	статич. static C <sub>0</sub>			
170000	268000	1,574	<b>ЕПК</b> <b>ЕВС</b> Международное International	ВПЗ-15

РОЛИКИ ОПОРНЫЕ ДВУХРЯДНЫЕ



ТИП 862000

Размеры, мм Dimensions, mm							Условное обозначение подшипника Bearing designation
d	D	B	C	d1	r1,2 min	r3,4 min	
50,000	130,000	65,060	63,000	66,000	0,5	2,3	<b>862710</b>
75,000	200,000	78,450	78,000	107,500	1,5	4,0	<b>862715ЛТ2</b>
110,000	320,000	94,500	94,000	154,000	1,5	4,0	<b>862722ХЛТ</b>

DOUBLE-ROW SUPPORT ROLLERS

Воспринимают радиальную нагрузку и кратковременную осевую в обоих направлениях.

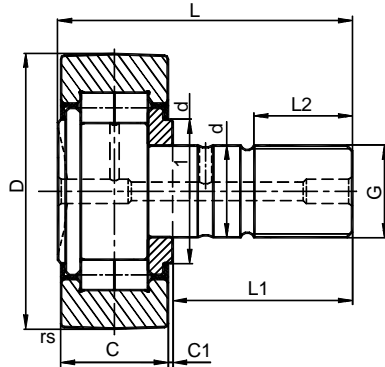
Закрываются с двух сторон уплотнительными кольцами и заполнены пластичной смазкой.

These rollers can accommodate radial and double direction short axial load. Support rollers are sealed with the seal rings from both sides and greased.

SERIES 862000

Грузоподъемность, Н Basic load ratings, N		Масса, кг Mass, kg	Условное обозначение подшипника Bearing designation	Завод-изготовитель Manufacturer
динамич. dynamic C	статич. static Co			
		m	<b>ЕПК</b> Международное <b>ЕВС</b> International	
220000	292000	5,287	<b>862710</b>	ВПЗ-15
355000	446000	15,074	<b>862715ЛТ2</b>	ВПЗ-15
558000	770000	49,286	<b>862722ХЛТ</b>	ВПЗ-15

**ОПОРНЫЕ РОЛИКИ С ЦАПФОЙ**



**ТИП ОП**

Размеры, мм Dimensions, mm										Условное обозначение подшипника Bearing designation
d	D	C	rs min	L	L1	L2	d1	C1	G	
30,000	90,000	35,000	1,1	100,000	63,000	32,000	47,000	1	M30	<b>ОП90x35</b>

**SUPPORT ROLLERS WITH PIN**

Обладают максимальной грузоподъемностью за счет полного заполнения ролика. Воспринимают высокие радиальные нагрузки и кратковременную осевую в обоих направлениях. Закрыты с двух сторон защитными шайбами и заполнены пластичной смазкой. Крепятся к несущим конструкциям с помощью обычных гаек.

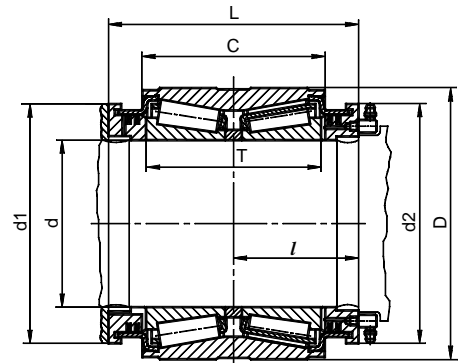
These rollers have the maximum load carrying capacity owing to complete filling with rollers. They can accommodate high radial loads and double direction short axial loads. The rollers are sealed with protection washers from both sides and greased. They are fastened to load-carrying bearing structures with ordinary nuts.

**SERIES ОП**

Грузоподъемность, Н Basic load ratings, N		Масса, кг Mass, kg	Условное обозначение подшипника Bearing designation			Завод-изготовитель Manufacturer
динамич. dynamic	статич. static		ЕПК ЕВС	Международное International		
C	Co	m	<b>ОП90x35</b>	NUKR90	SKF	ВПЗ-15
98900	121000	2,000				



**ПОДШИПНИКИ БУКСОВЫЕ КОНИЧЕСКИЕ ДВУХРЯДНЫЕ  
КАССЕТНОГО ТИПА**



**TBU 120**

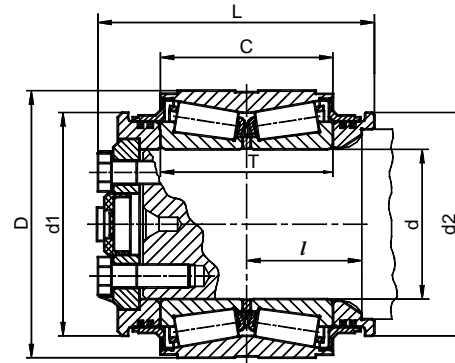
Закрытый подшипниковый узел, с бесконтактными уплотнениями, заполненный специальной смазкой.

**ТИП TBU**

Размеры, мм Dimensions, mm								Коэффициент нагрузки Load ability factors				Условное обозначение подшипника Bearing designation
d	D	T	C	L	l	d1	d2	e	Y1	Y2	Yo	
120,000	195,000	126,000	131,350	180,000	90,000	175,000	175,000	0,26	2,55	3,80	2,50	<b>TBU 120</b>
130,000	230,000	149,250	150,000	240,000	100,000	194,000	194,000	0,26	2,55	3,80	2,50	<b>TBU 130</b>
150,000	250,000	175,000	175,000	272,000	112,500	222,000	222,000	0,26	2,55	3,80	2,50	<b>TBU 150</b>



**DOUBLE-ROW TAPER CASSETTE JOURNAL BEARINGS**



**TBU**

The bearing unit is closed with contactless seals and greased by special lubricant.

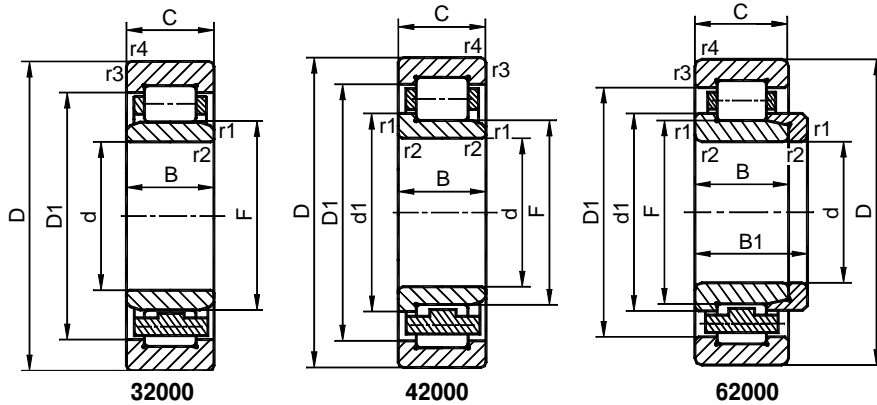
**SERIES TBU**

Грузоподъемность, Н Basic load ratings, N		Предельное число оборотов, об/мин Limiting speeds, n/min при смазке lubrication	Масса, кг Mass, kg	Условное обозначение подшипника Bearing designation			Завод-изготовитель Manufacturer
динамич. dynamic	статич. static			ЕПК	Международное International	ЕBC	
C	Co	пласт. grease	m	<b>ЕПК</b>			
				<b>ЕBC</b>			
654000	1297000	1600	19,000	<b>TBU 120</b>	TBU 120	SKF	ВПЗ-15
971000	1704000	1100	35,000	<b>TBU 130</b>			ВПЗ-15
1047000	1850000	700	46,400	<b>TBU 150</b>			ВПЗ-15

Возможные неточности и опечатки не могут являться основанием для юридических претензий  
No liability can be accepted for any errors and omissions



**ПОДШИПНИКИ РОЛИКОВЫЕ С КОРОТКИМИ  
ЦИЛИНДРИЧЕСКИМИ РОЛИКАМИ  
ДЛЯ ЖЕЛЕЗНОДОРОЖНОГО ПОДВИЖНОГО СОСТАВА**

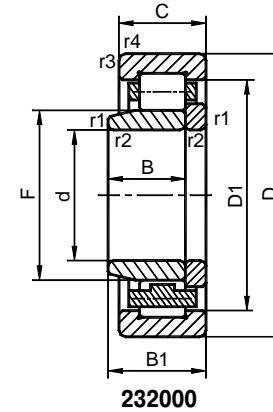


ТИП 32000, 42000, 62000, 232000

Размеры, мм Dimensions, mm										Условное обозначение подшипника Bearing designation
d	D	B	C	B1	F	d1	D1	r1,2 min	r3,4 min	
130,000	250,000	67,200	80,000	81,200	158,000		205,000	3,0	3,0	<b>232726E2M</b>
130,000	250,000	67,200	80,000	81,200	158,000		205,000	3,0	3,0	<b>232726Л4М</b>
130,000	250,000	80,000	80,000		158,000	173,000	205,000	3,0	3,0	<b>42726E2M</b>
130,000	250,000	80,000	80,000		158,000	173,000	205,000	3,0	3,0	<b>42726Л4М</b>
140,000	260,000	67,200	80,000	81,200	168,000		215,000	3,0	3,0	<b>232728Л4М</b>
140,000	260,000	80,000	80,000		168,000	183,000	215,000	3,0	3,0	<b>42728Л4М</b>
150,000	320,000	65,000	65,000		193,000		262,300	4,0	4,0	<b>32330АЛ</b>
150,000	320,000	65,000	65,000		193,000	209,000	264,000	4,0	4,0	<b>42330АЛ</b>
160,000	290,000	80,000	80,000		193,000		241,000	3,0	3,0	<b>32532Л1М</b>
180,000	320,000	86,000	86,000		216,000	229,000	268,000	4,0	4,0	<b>42536ЛМ</b>
180,000	320,000	86,000	86,000	98,000	216,000	229,000	268,000	4,0	4,0	<b>62536ЛМ</b>



**ROLLER BEARINGS WITH SHORT CYLINDRICAL ROLLERS  
FOR RAILWAY TRANSPORT**



Подшипники применяются в буксовых узлах железнодорожного транспорта и метро, а также в тяговых двигателях тепловозов и электровозов.  
По заказу потребителя подшипники могут изготавливаться повышенных классов точности, необходимой группы радиального зазора, с сепаратором из латуни (в обозначении подшипника буква Л) или пластмассы (в обозначении подшипника буква Е).

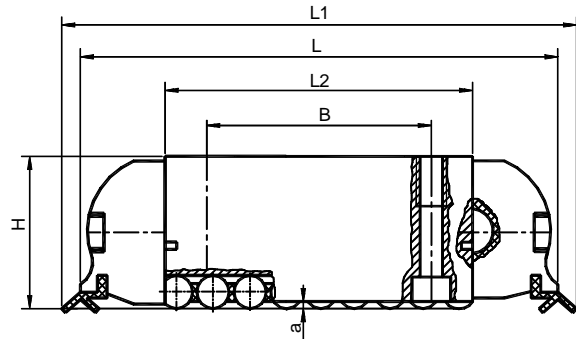
Bearings are used in railway transport and underground journal units, as well as in electric locomotive and diesel traction engines.  
Bearings are produced with high tolerance class, necessary radial clearance, brass cage (symbol «Л» in the bearing designation) or plastic material cage (symbol «Е» in the bearing designation) to customer order.

SERIES 32000, 42000, 62000, 232000

Грузоподъемность, Н Basic load ratings, N		Предельное число оборотов, об/мин Limiting speeds, n/min	Масса, кг Mass, kg	Условное обозначение подшипника Bearing designation		Завод-изготовитель Manufacturer
динамич. dynamic	статич. static	при смазке lubrication		ЕПК ЕВС	Международное International	
490500	425000	1800	17,200	<b>232726E2M</b>		ГПЗ-1, СПЗ-16
490500	425000	1800	18,200	<b>232726Л4М</b>		ГПЗ-1, СПЗ-16
490500	426000	1800	17,200	<b>42726E2M</b>		ГПЗ-1, СПЗ-16
490500	425000	1800	18,200	<b>42726Л4М</b>		ГПЗ-1, СПЗ-16
625000	832000	1800	19,900	<b>232728Л4М</b>		СПЗ-16
625000	832000	1800	19,900	<b>42728Л4М</b>		СПЗ-16
675000	820000	1700	26,800	<b>32330АЛ</b>	NU330M1	СПЗ-16
675000	820000	1700	27,030	<b>42330АЛ</b>	NU330M1	СПЗ-16
609000	695000	1800	24,500	<b>32532Л1М</b>	NU2232	ГПЗ-1, СПЗ-16
788000	1182000	1700	31,700	<b>42536ЛМ</b>	NJ2236MA	ГПЗ-1, СПЗ-16
788000	1182000	1700	31,100	<b>62536ЛМ</b>	NJ2236MA+HJ2236	ГПЗ-1, СПЗ-16



**ПОДШИПНИКИ ЛИНЕЙНОГО ПЕРЕМЕЩЕНИЯ.  
БАШМАКИ РОЛИКОВЫЕ**



**ТИП БР**

Размеры, мм Dimensions, mm						Условное обозначение подшипника Bearing designation
H	L	B	L1	L2	a	
26,000	126,000	68,000	132,000	93,000	0,200	<b>БР 26x126</b>



**LINEAR DISPLACEMENT BEARINGS.  
ROLLER SHOES**

Подшипниковый узел, обеспечивающий линейное перемещение неограниченной длины хода. Применяются в направляющих станков с высокой точностью направления и позиционирования, при больших длинах перемещения.

The bearing unit provides linear displacement of unlimited length. These bearings are used in machine guides with high accuracy of direction and positioning at large displacement length.

**SERIES БР**

Грузоподъемность, Н Basic load ratings, N		Масса, кг Mass, kg	Условное обозначение подшипника Bearing designation			Завод-изготовитель Manufacturer
динамич. dynamic C	статич. static Co		ЕПК EBC	Международное International		
122000	103000	0,700	<b>БР 26x126</b>	RUS 26126 INA	ВПЗ-15	





## PRECISION ROLLER BEARINGS

These bearings are applied in units demanding high running accuracy. These bearings are produced with taper rollers as well as with cylindrical rollers of tolerance classes 5, 4 and 2 with metric and inch tolerance systems.

Taper roller bearings are produced as the following series:

- series 7000, 2007000, 3007000 – single-row with pressed steel cage;
- series 17000, 117000, 67000, 97000, 697000 are mounted into machine tool spindle.

These bearings are characterized by a small contact angle of the outer ring raceway ( $\alpha=8^\circ\dots 11^\circ$ ) and form-stable cages of nonferrous metal (brass or aluminum alloys).

Double-row bearings are produced with short cylindrical rollers as the following series:

- series 3182000 – with a tapered bore, with flangeless outer ring;
- series 3282000 – with a cylindrical bore, with flangeless outer ring;
- series 4162000 – with a tapered bore, with flangeless inner ring;
- series 4262000 – with a cylindrical bore, with flangeless inner ring;
- Cages are form-stable of nonferrous metal (brass or aluminum alloys).

A special feature of these bearings is location of rollers, which axis in one row have misalignment relative to rollers in another row, this promotes higher bearing stiffness in radial direction.

The tapered bore of the inner ring permits to provide small radial clearances and even to make radial pre-load, that is very significant for precision machine tool spindles.

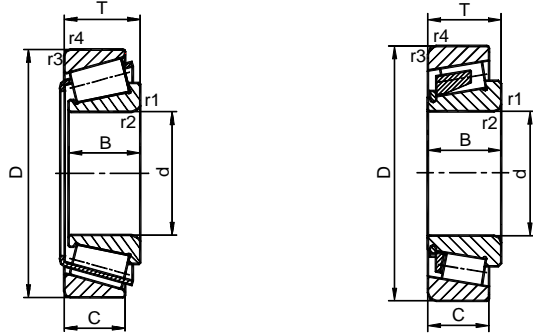
Cylindrical bearings with lubrication groove and hole on outer ring are identified by letter K in the designation is distinct from the same bearing without lubrication groove and hole.

Limited deviations of fitting surfaces and running accuracy of bearings with metric size system are denoted in GOST 520 tables; the corresponding tolerance class bearings with inch size system are identified by @ symbol.

If you need additional information about accuracy of these bearings contact with the Chief Constructor Department of the Volzhsky Bearing Plant by telephones: (7-8443) 221 979, 221 519, 221 659.



ПОДШИПНИКИ РОЛИКОВЫЕ КОНИЧЕСКИЕ ОДНОРЯДНЫЕ



ТИП 7000, 107000, 2007000, 3007000, 307000

Размеры, мм Dimensions, mm							Коэффициент нагрузки Load ability factors			Условное обозначение подшипника Bearing designation
d	D	T	B	C	r1,2 min	r3,4 min	e	Y	Yo	
20,000	47,000	15,250	14,000	12,000	1,0	1,0	0,35	1,70	0,90	<b>7204A</b>
30,000	55,000	17,000	17,000	13,000	1,0	1,0	0,43	1,40	0,80	<b>2007106A</b>
30,000	72,000	28,750	27,000	23,000	1,5	1,5	0,31	1,90	1,10	<b>7606A</b>
35,000	62,000	18,000	18,000	14,000	1,0	1,0	0,46	1,30	0,70	<b>2007107A</b>
35,000	80,000	32,750	31,000	25,000	2,0	1,5	0,31	1,90	1,10	<b>7607A</b>
38,000	68,000	19,000	19,000	14,500	1,0	1,0	0,38	1,58	0,87	<b>20071/38A</b>
45,000	75,000	20,000	19,000	16,000	1,0	1,0	0,30	1,99	1,10	<b>2007109</b>
50,000	90,000	24,750	23,000	19,000	1,5	1,5	0,43	1,40	0,80	<b>7510A1</b>
60,000	95,000	23,000	23,000	17,500	1,5	1,5	0,43	1,40	0,80	<b>2007112A</b>
70,000	110,000	25,000	25,000	19,000	1,5	1,5	0,43	1,40	0,80	<b>2007114A</b>
80,000	125,000	29,000	29,000	22,000	1,5	1,5	0,43	1,40	0,80	<b>2007116A1</b>
80,000	140,000	35,250	33,000	28,000	2,5	2,0	0,43	1,40	0,80	<b>7516A</b>
85,000	150,000	38,500	36,000	30,000	2,5	2,0	0,43	1,40	0,80	<b>7517A</b>
90,000	140,000	32,000	32,000	24,000	2,0	1,5	0,43	1,40	0,80	<b>2007118A</b>
95,000	200,000	49,500	45,000	38,000	4,0	3,0	0,35	1,70	0,90	<b>7319A</b>
95,250	128,588	15,875	15,000	11,908	1,3	1,3	0,35	1,70	0,90	<b>7919A</b>
100,000	150,000	32,000	32,000	24,000	2,0	1,5	0,46	1,30	0,70	<b>2007120A</b>
100,000	180,000	37,000	34,000	29,000	3,0	2,5	0,43	1,40	0,80	<b>7220A1</b>
110,000	180,000	56,000	56,000	43,000	2,5	2,0	0,43	1,40	0,80	<b>3007722A</b>
114,300	152,400	21,433	21,433	17,000	1,8	1,8	0,71	1,46	0,80	<b>7923A</b>
120,000	180,000	38,000	38,000	29,000	2,5	2,0	0,46	1,30	0,70	<b>2007124A</b>
133,350	173,038	19,050	17,500	14,288	1,3	1,3	0,35	1,73	0,95	<b>7927A</b>
140,000	210,000	45,000	42,000	36,000	2,5	2,0	0,37	1,62	0,89	<b>2007128</b>
160,000	240,000	51,000	48,000	41,000	3,0	2,5	0,37	1,62	0,89	<b>2007132</b>
170,000	230,000	38,000	35,000	31,000	2,5	2,0	0,46	1,29	0,71	<b>2007934K1</b>



SINGLE-ROW TAPER ROLLER BEARINGS

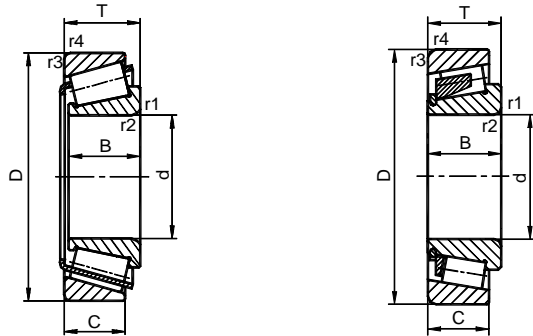
Предназначены для восприятия радиальных и односторонних осевых нагрузок. Угол контакта дорожки качения наружного кольца  $\alpha=10^{\circ}\dots 17^{\circ}$ . Допустимая осевая нагрузка  $F_{a}\leq 0,7Fr'$  ( $Fr'$  – неиспользованная допустимая радиальная нагрузка). При монтаже и эксплуатации требуют тщательной регулировки осевых зазоров.

These bearings are designed to accommodate radial and single direction axial loads. The contact angle of the outer ring raceway  $\alpha=10^{\circ}\dots 17^{\circ}$ . Permissible axial load  $F_{a}\leq 0.7Fr'$  ( $Fr'$  – unused permissible load). These bearings require fine axial clearance adjustment in mounting and operation.

SERIES 7000, 107000, 2007000, 3007000, 307000

Грузоподъемность, Н Basic load ratings, N		Предельное число оборотов, об/мин Limiting speeds, n/min		Масса, кг Mass, kg	Условное обозначение подшипника Bearing designation			Завод-изготовитель Manufacturer	
динамич. dynamic	статич. static	при смазке lubrication			ЕПК EBC	Международное International	ISO 355		
C	Co	пласт. grease	жидк. oil	m					
27700	28200	8000	11000	0,127	<b>7204A</b>	30204	SKF	T2DB020	ВП3-15
37400	49600	6700	9000	0,179	<b>2007106A</b>	32006X	SKF	T4CC030	ВП3-15
80800	89500	5300	7000	0,559	<b>7606A</b>	32306	SKF	T2FD030	ВП3-15
44300	55400	6000	8000	0,223	<b>2007107A</b>	32007X	SKF	T4CC035	ВП3-15
105000	120000	4800	6300	0,758	<b>7607A</b>	32307	SKF	T2FE035	ВП3-15
51800	70900	5300	7000	0,296	<b>20071/38A</b>				ВП3-15
53300	68000	4800	6300	0,333	<b>2007109</b>	32009	SKF		ВП3-15
91600	116000	4300	5600	0,631	<b>7510A1</b>	32210	SKF	T3DC050	ВП3-15
83000	125000	3600	4800	0,602	<b>2007112A</b>	32012X	SKF	T4CC060	ВП3-15
110000	171000	3200	4300	0,881	<b>2007114A</b>	32014X	SKF	T4CC070	ВП3-15
138000	214000	2600	3600	1,261	<b>2007116A1</b>	32016X	SKF	T3CC080	ВП3-15
198000	262000	2400	3400	2,110	<b>7516A</b>	32216	SKF	T3EC080	ВП3-15
229000	309000	2200	3200	2,657	<b>7517A</b>	32217	SKF	T3EC085	ВП3-15
163000	253000	2200	3200	1,720	<b>2007118A</b>	32018X	SKF	T3CC090	ВП3-15
376000	459000	1800	2600	6,730	<b>7319A</b>	30319	SKF	T2GB095	ВП3-15
57500	99400	2200	3200	0,562	<b>7919A</b>				ВП3-15
173000	283000	2000	3000	1,902	<b>2007120A</b>	32020X	SKF	T4CC100	ВП3-15
271000	360000	1900	2800	3,780	<b>7220A1</b>	30220	SKF	T3FB100	ВП3-15
358000	631000	1700	2400	5,490	<b>3007722A</b>	33122	SKF	T3EE110	ВП3-15
87200	179000	1400	1900	1,080	<b>7923A</b>				ВП3-15
243000	408000	1700	2400	3,250	<b>2007124A</b>	32024X	SKF	T4DC120	ВП3-15
96900	173000	1600	2200	1,033	<b>7927A</b>				ВП3-15
292000	476000	1600	2200	5,046	<b>2007128</b>	32028	SKF		ВП3-15
396000	669000	1300	1800	7,919	<b>2007132</b>	32032	SKF		ВП3-15
228000	437000	1400	1900	4,300	<b>2007934K1</b>	32934	SKF		ВП3-15

Возможные неточности и опечатки не могут являться основанием для юридических претензий  
No liability can be accepted for any errors and omission



ТИП 7000, 107000, 2007000, 3007000

Размеры, мм Dimensions, mm								Коэффициент нагрузки Load ability factors			Условное обозначение подшипника Bearing designation
d	D	T	B	C	r1,2 min	r3,4 min	e	Y	Y0		
180,000	250,000	47,000	45,000	37,000	3,0	2,5	0,48	1,25	0,69	<b>1007936Л</b>	
180,000	280,000	64,000	60,000	52,000	2,5	2,5	0,28	2,16	1,19	<b>2007136</b>	
185,000	235,000	39,000	45,000	31,000	2,0	2,0	0,38	1,60	0,86	<b>7737Л</b>	
190,000	260,000	45,000	42,000	36,000	2,5	2,0	0,38	1,56	0,86	<b>2007938</b>	
190,000	290,000	64,000	60,000	52,000	2,5	2,5	0,29	2,06	1,13	<b>2007138</b>	
200,000	310,000	70,000	66,000	56,000	2,5	2,5	0,38	1,59	0,88	<b>2007140</b>	
210,000	300,000	40,000	40,000	32,000	2,1	2,1	0,27	2,22	1,22	<b>2007442Л</b>	
220,000	300,000	51,000	51,000	39,000	3,0	2,5	0,43	1,40	0,80	<b>2007944А</b>	
228,600	400,050	88,900	87,312	63,500	10,5	3,3	0,44	1,36	0,75	<b>7846Л</b>	
240,000	300,000	28,000	28,000	28,000	2,0	2,0	0,36	1,65	0,90	<b>1007748Л</b>	
240,000	320,000	51,000	51,000	39,000	3,0	2,5	0,46	1,30	0,70	<b>2007948А</b>	
240,000	360,000	76,000	72,000	62,000	3,0	3,0	0,31	1,89	1,04	<b>2007148</b>	
241,300	327,025	52,388	56,000	41,000	6,4	3,3	0,33	1,80	0,99	<b>7948Л1</b>	
260,000	325,438	36,000	38,000	30,000	2,5	2,5	0,30	2,01	1,10	<b>307752Л2</b>	
260,000	360,000	63,500	63,500	48,000	3,0	2,5	0,41	1,50	0,80	<b>2007952А</b>	
360,000	530,000	79,250	66,000	58,500	4,7	4,7	0,40	1,49	0,80	<b>7772Л2</b>	



Предназначены для восприятия радиальных и односторонних осевых нагрузок. Угол контакта дорожки качения наружного кольца  $\alpha=10^\circ \dots 17^\circ$ . Допустимая осевая нагрузка  $F_{a0,7Fr}$  ( $Fr'$  – неиспользованная допустимая радиальная нагрузка). При монтаже и эксплуатации требуют тщательной регулировки осевых зазоров.

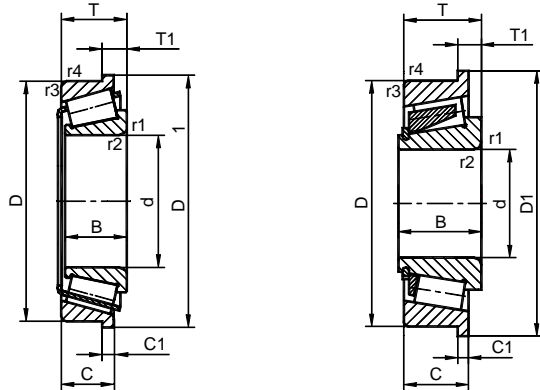
These bearings are designed to accommodate radial and single direction axial loads. The contact angle of the outer ring raceway  $\alpha=10^\circ \dots 17^\circ$ . Permissible axial load  $F_{a0,7Fr}$  ( $Fr'$  – unused permissible load). These bearings require fine axial clearance adjustment in mounting and operation.

SERIES 7000, 107000, 2007000, 3007000

Грузоподъемность, Н Basic load ratings, N		Предельное число оборотов, об/мин Limiting speeds, n/min		Масса, кг Mass, kg	Условное обозначение подшипника Bearing designation			Завод-изготовитель Manufacturer
динамич. dynamic	статич. static	при смазке lubrication			ЕПК EBC	Международное International	ISO 355 ISO 355	
C	Co	пласт. grease	жидк. oil	m				
286000	549000	1200	1700	6,254	<b>1007936Л</b>	JM736149/JM736110	TIMKEN	ВПЗ-15
540000	903000	1100	1600	13,400	<b>2007136</b>	32036	SKF	ВПЗ-15
242000	534000	1250	1600	5,319	<b>7737Л</b>	ВПЗ-15		
335000	633000	1100	1600	6,540	<b>2007938</b>	32938	SKF	ВПЗ-15
568000	983000	1000	1500	14,400	<b>2007138</b>	32038	SKF	ВПЗ-15
653000	1180000	950	1400	18,500	<b>2007140</b>	32040	SKF	ВПЗ-15
269000	476000	1000	1500	9,137	<b>2007442Л</b>			ВПЗ-15
487000	983000	1000	1500	10,000	<b>2007944А</b>	32944	FAG	ВПЗ-15
1100000	1750000	830	1100	42,870	<b>7846Л</b>	EE430900/431575	TIMKEN	ВПЗ-15
134000	298000	1200	1700	4,840	<b>1007748Л</b>			ВПЗ-15
516000	1090000	900	1300	10,850	<b>2007948А</b>	32948	SKF	ВПЗ-15
802000	1500000	850	1200	26,000	<b>2007148</b>	32048	SKF	ВПЗ-15
425000	884000	940	1300	12,270	<b>7948Л1</b>			ВПЗ-15
233000	508000	700	950	6,200	<b>307752Л2</b>			ВПЗ-15
743000	1630000	850	1200	19,094	<b>2007952А</b>	32952	FAG	ВПЗ-15
1010000	1750000	400	500	52,180	<b>7772Л2</b>			ВПЗ-15



**ПОДШИПНИКИ РОЛИКОВЫЕ КОНИЧЕСКИЕ ОДНОРЯДНЫЕ С БОРТОМ НА НАРУЖНОМ КОЛЬЦЕ**



ТИП 67000, 2067000

Размеры, мм Dimensions, mm										Коэффициент нагрузки Load ability factors			Условное обозначение подшипника Bearing designation
d	D	D1	T	T1	B	C	C1	r1,2 min	r3,4 min	e	Y	Yo	
41,275	76,200	80,963	22,254	9,525	23,020	17,463	4,763	3,0	0,9	0,33	1,82	1,00	<b>2067708A</b>
45,000	80,000	86,000	30,100	8,100	19,000	26,000	4,000	1,0	1,5	0,30	2,00	1,10	<b>67709</b>
45,000	85,000	89,760	20,630	7,930	24,500	17,460	4,760	2,0	0,9	0,30	2,03	1,11	<b>67809ЛК</b>
50,000	90,000	94,760	26,750	11,110	29,000	20,400	4,760	2,0	0,9	0,30	1,97	1,08	<b>67810ЛК</b>
60,000	95,000	100,000	22,800	8,800	25,000	18,500	4,500	1,3	1,3	0,25	2,41	1,33	<b>67912Л</b>
60,000	100,000	104,500	25,400	10,000	26,500	19,840	4,500	1,3	1,3	0,35	1,73	0,95	<b>67712Л</b>
60,325	100,000	103,962	25,400	9,525	25,400	19,845	3,970	3,0	3,0	0,35	1,73	0,95	<b>2067712A</b>
70,000	120,000	127,000	29,790	11,560	32,000	24,230	6,000	1,8	1,8	0,30	1,98	1,09	<b>67814Л</b>
90,000	140,000	147,000	25,290	14,290	30,500	19,000	8,050	1,8	0,5	0,26	2,33	1,28	<b>67818Л</b>
93,663	152,400	158,400	35,000	12,500	33,750	28,500	6,000	2,5	0,9	0,25	2,37	1,30	<b>67719ЛК</b>
98,425	152,400	159,500	38,100	15,000	42,000	30,000	7,300	1,8	1,8	0,25	2,41	1,33	<b>67920Л</b>
140,000	210,000	218,000	40,590	15,000	46,000	32,500	7,000	2,3	2,3	0,22	2,73	1,50	<b>67928Л1</b>
160,000	240,000	248,000	47,625	17,000	50,000	38,625	8,000	2,5	3,0	0,25	2,39	1,31	<b>67732Л</b>
190,000	260,000	273,000	45,500	17,500	49,000	36,000	8,000	2,5	2,5	0,28	2,12	1,17	<b>67738Л</b>
220,000	300,000	314,000	51,500	19,500	56,000	41,000	9,000	2,5	2,5	0,31	1,94	1,06	<b>67744Л</b>
240,000	320,000	334,000	51,500	19,500	56,000	41,000	9,000	3,0	3,0	0,33	1,80	0,99	<b>67848Л</b>
260,000	360,000	377,000	64,500	22,500	67,000	52,000	10,000	2,5	2,5	0,37	1,62	0,89	<b>67852Л1</b>

© - исполнение посадочных поверхностей соответствует дюймовой системе допусков (отклонение в плюс)  
 © - design of fitting surfaces complies with inch system of tolerances (deviation with plus)



**SINGLE-ROW TAPER ROLLER BEARINGS, PRECISION DIMENSIONED WITH FLANGED OUTER RING**

Предназначены для восприятия одновременно действующих радиальных и осевых нагрузок. Исполнение наружного кольца с бортом позволяет упростить конструкцию подшипникового узла, повысить технологичность обработки посадочных отверстий в корпусе, снизить его металлоемкость.

These bearings are intended for accommodation of radial and axial loads acting simultaneously. The outer ring with flange permits to simplify the bearing unit design, improve machining technology of fitting bores in the housing, reduce its metal consumption.

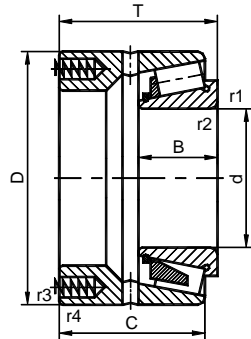
SERIES 67000, 2067000

Грузоподъемность, Н Basic load ratings, N		Предельное число оборотов, об/мин Limiting speeds, n/min	Масса, кг Mass, kg	Условное обозначение подшипника Bearing designation		Завод-изготовитель Manufacturer
динамич. dynamic	статич. static	при смазке lubrication		Международное International	ИСО 355 ISO 355	
C	Co	жидк. oil	m	ЕПК EBC		
71600	93800	4800	0,463	<b>2067708A</b>		ВПЗ-15
53300	68000	4800	0,539	<b>67709</b>		ВПЗ-15
64500	72300	6300	0,556	<b>67809ЛК</b>	© 112045/112085C	GAMET ВПЗ-15
74700	86800	5700	0,750	<b>67810ЛК</b>	© 111050/111090C	GAMET ВПЗ-15
68300	95900	3200	0,630	<b>67912Л</b>		ВПЗ-15
80700	100000	5100	0,896	<b>67712Л</b>	© 113060/113100C	GAMET ВПЗ-15
106000	143000	3800	0,777	<b>2067712A</b>		ВПЗ-15
117000	158000	3200	1,710	<b>67814Л</b>		ВПЗ-15
112000	146000	3300	1,430	<b>67818Л</b>		ВПЗ-15
149000	201000	3400	2,319	<b>67719ЛК</b>	© 131093X/131152XC	GAMET ВПЗ-15
194000	279000	3000	2,480	<b>67920Л</b>	© 160098X/160152XC	GAMET ВПЗ-15
289000	471000	2700	5,019	<b>67928Л1</b>		ВПЗ-15
321000	567000	2400	7,436	<b>67732Л</b>		ВПЗ-15
329000	610000	1800	7,580	<b>67738Л</b>		ВПЗ-15
406000	811000	1600	11,900	<b>67744Л</b>		ВПЗ-15
425000	884000	1500	11,650	<b>67848Л</b>		ВПЗ-15
630000	1230000	1400	23,200	<b>67852Л1</b>		ВПЗ-15

Возможные неточности и опечатки не могут являться основанием для юридических претензий  
 No liability can be accepted for any errors and omissions



**ПОДШИПНИКИ РОЛИКОВЫЕ КОНИЧЕСКИЕ ОДНОРЯДНЫЕ  
С ПРУЖИНАМИ НА НАРУЖНОМ КОЛЬЦЕ**



**ТИП 17000**

Размеры, мм Dimensions, mm							Коэффициент нагрузки Load ability factors			Условное обозначение подшипника Bearing designation
d	D	T	B	C	r1,2 min	r3,4 min	e	Y	Yo	
50,000	90,000	57,700	28,500	51,300	1,5	0,3	0,30	1,97	1,08	<b>17810Л</b>
65,000	120,000	65,440	32,000	59,880	1,8	0,5	0,30	1,98	1,09	<b>17713Л</b>
70,000	120,000	65,440	32,000	59,880	2,0	0,5	0,30	1,98	1,09	<b>17814Л</b>
⊗ 75,000	⊗ 130,000	66,750	33,500	60,500	2,5	0,3	0,21	2,84	1,56	<b>17715ЛК</b>
80,000	140,000	77,070	38,500	69,140	3,0	0,5	0,24	2,46	1,35	<b>17716Д4</b>
80,000	140,000	77,070	38,500	45,640	2,3	0,5	0,24	2,46	1,35	<b>17716Л4</b>
85,000	135,000	67,000	38,500	59,000	2,5	0,5	0,24	2,46	1,35	<b>17917Л1</b>
⊗ 85,000	⊗ 140,000	77,070	38,500	69,140	2,3	0,5	0,24	4,11	2,70	<b>17717Л</b>
90,000	140,000	62,000	30,500	56,000	2,0	0,5	0,26	2,30	1,28	<b>17818Л</b>
95,000	152,400	68,500	33,750	62,000	2,0	0,5	0,25	2,37	1,30	<b>17819Л</b>
⊗ 95,000	⊗ 152,400	83,900	42,000	75,800	2,5	0,6	0,25	2,41	1,33	<b>17719ЛК</b>
98,425	152,400	83,900	42,000	76,000	0,7	0,5	0,25	2,41	1,33	<b>17920Л</b>
100,000	180,000	92,000	46,000	84,000	1,8	0,7	0,18	3,33	1,83	<b>17720Л</b>
110,000	170,000	73,000	39,500	63,500	2,3	0,7	0,30	2,00	1,10	<b>17722Л1</b>
120,000	180,000	88,650	44,000	80,500	2,5	0,6	0,30	2,03	1,11	<b>17724Л1</b>
120,000	190,000	98,400	50,000	88,800	2,5	0,6	0,27	2,23	1,23	<b>17824Л</b>
140,000	190,000	80,000	38,000	73,000	2,0	0,5	0,33	1,81	1,00	<b>17828Л</b>
170,000	230,000	90,350	35,000	83,000	2,3	0,7	0,43	1,40	0,77	<b>17934</b>
180,000	235,000	77,550	37,000	70,000	2,0	0,5	0,22	2,77	1,52	<b>17836Л</b>
190,000	290,000	119,090	52,000	108,00	2,5	0,9	0,38	1,58	0,87	<b>17838Л</b>
220,000	300,000	100,000	56,000	89,500	2,5	0,5	0,31	1,94	1,06	<b>17744Л</b>

⊗ - исполнение посадочных поверхностей соответствует дюймовой системе допусков (отклонение в плюс)  
 ⊗ - design of fitting surfaces complies with inch system of tolerances (deviation with plus)



**SINGLE-ROW TAPER ROLLER BEARINGS  
WITH SPRINGS ON OUTER RING**

Предназначены для восприятия одновременно действующих радиальных и осевых нагрузок. Подшипники имеют широкое наружное кольцо с отверстиями по торцу для размещения пружин. Наличие пружин позволяет осуществлять постоянство заданного преднатяга подшипника в собранном узле. Величина натяга обеспечивается установкой нужного количества пружин. Увеличенная ширина наружного кольца позволяет уменьшить возможную величину перекоса кольца в корпусе.

Устанавливается в задней опоре шпинделя в комбинации с одно- или двухрядными подшипниками в передней опоре.

These bearings are intended for accommodation of radial and axial loads acting simultaneously. They have a wide outer ring with holes for springs. Springs provide constant given preload of the bearing in the assembled unit. The value of preload is adjusted by setting of necessary spring quality. Increased width of the outer ring permits to reduce possible misalignment in the housing. These bearings are mounted in the spindle rear support in combination with single-row and double-row bearings in the front support.

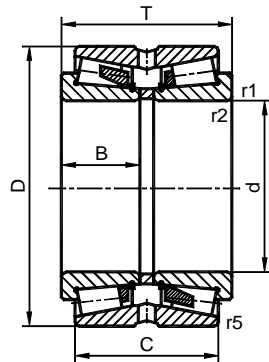
**SERIES 17000**

Грузоподъемность, Н Basic load ratings, N		Предельное число оборотов, об/мин Limiting speeds, n/min	Масса, кг Mass, kg	Условное обозначение подшипника Bearing designation		Завод-изготовитель Manufacturer	
динамич. dynamic	статич. static			при смазке lubrication	Международное International		ISO 355
C	Co	жидк. oil	m	ЕПК EBC	Международное International	ISO 355	
74700	86800	5700	1,210	<b>17810Л</b>	⊗ 111050/111090P	GAMET	ВПЗ-15
117000	158000	4400	2,670	<b>17713Л</b>	⊗ 130065/130120P	GAMET	ВПЗ-15
117000	158000	4400	2,540	<b>17814Л</b>	⊗ 130070/130120P	GAMET	ВПЗ-15
135000	167000	4100	2,522	<b>17715ЛК</b>	⊗ 133075/133130P	GAMET	ВПЗ-15
153000	211000	3800	2,990	<b>17716Д4</b>	⊗ 140080/140140P	GAMET	ВПЗ-15
153000	211000	3800	3,110	<b>17716Л4</b>	⊗ 140080/140140P	GAMET	ВПЗ-15
160000	223000	3800	2,606	<b>17917Л1</b>			ВПЗ-15
153000	211000	3800	3,230	<b>17717Л</b>	⊗ 140085/140140P	GAMET	ВПЗ-15
112000	146000	3700	2,880	<b>17818Л</b>			ВПЗ-15
149000	201000	3400	3,450	<b>17819Л</b>	⊗ 131095/131152XP	GAMET	ВПЗ-15
194000	279000	3400	4,274	<b>17719ЛК</b>	⊗ 160095/160152XP	GAMET	ВПЗ-15
194000	279000	3300	4,110	<b>17920Л</b>	⊗ 160098X/160152XP	GAMET	ВПЗ-15
245000	354000	3000	8,407	<b>17720Л</b>	⊗ 180100/180180P	GAMET	ВПЗ-15
175000	273000	3000	4,822	<b>17722Л1</b>			ВПЗ-15
216000	341000	2800	6,290	<b>17724Л1</b>			ВПЗ-15
267000	413000	2700	7,780	<b>17824Л</b>			ВПЗ-15
154000	291000	2600	5,344	<b>17828Л</b>			ВПЗ-15
228000	437000	1900	8,300	<b>17934</b>			ВПЗ-15
198000	367000	2100	6,690	<b>17836Л</b>			ВПЗ-15
422000	688000	1800	23,730	<b>17838Л</b>			ВПЗ-15
406000	811000	2000	23,800	<b>17744Л</b>			ВПЗ-15

Возможные неточности и опечатки не могут являться основанием для юридических претензий  
 No liability can be accepted for any errors and omissions



ПОДШИПНИКИ РОЛИКОВЫЕ КОНИЧЕСКИЕ ДВУХРЯДНЫЕ



ТИП 97000, 927000, 2097000

Размеры, мм Dimensions, mm							Коэффициент нагрузки Load ability factors				Условное обозначение подшипника Bearing designation
d	D	T	B	C	r <sub>1,2</sub> min	r <sub>5</sub> min	e	Y1	Y2	Y <sub>0</sub>	
50,000	90,000	64,000	28,500	51,300	1,5	0,3	0,31	2,21	3,29	2,16	<b>97810Л1</b>
75,000	130,000	79,000	37,000	66,000	1,8	0,5	0,22	3,07	4,57	3,00	<b>97815Л</b>
90,000	140,000	68,000	30,500	56,000	2,0	0,5	0,41	1,64	2,43	1,62	<b>97818Л</b>
90,000	145,000	84,000	38,000	69,000	2,0	0,5	0,26	2,58	3,85	2,53	<b>97718Л</b>
95,000	145,000	84,000	38,000	69,000	1,8	0,5	0,40	1,57	2,55	1,42	<b>97919Л</b>
100,000	150,000	92,000	42,000	76,000	2,0	0,5	0,40	1,56	2,45	1,39	<b>97920Л</b>
120,000	180,000	96,800	44,000	80,500	2,5	0,6	0,20	2,80	3,90	2,50	<b>97724Л1</b>
Ⓢ 177,800	Ⓢ 288,925	142,875	52,000	111,125	2,5	0,9	0,38	1,78	2,65	1,74	<b>97936Л</b>
200,000	310,000	151,000	66,000	123,000	2,5	0,9	0,37	1,82	2,65	1,75	<b>2097140</b>
220,000	300,000	126,000	56,000	105,000	2,5	0,5	0,16	4,32	6,51	4,25	<b>97944Л</b>
230,000	330,000	122,000	61,000	90,240	2,3	0,9	0,33	2,03	3,02	1,98	<b>97846Л</b>
240,000	320,000	110,000	55,000	90,000	3,0	0,9	0,33	2,03	3,02	1,98	<b>2097948Л1</b>
240,000	320,000	128,000	56,000	107,000	3,0	0,9	0,33	2,03	3,02	1,98	<b>97848ЛУ</b>
260,000	360,000	133,000	67,000	109,000	2,5	0,9	0,37	1,82	2,71	1,78	<b>2097952Л</b>
Ⓢ 260,350	Ⓢ 419,100	184,150	92,075	136,525	6,4	1,5	0,59	1,14	1,69	1,10	<b>927952Л</b>
Ⓢ 346,075	Ⓢ 488,950	200,025	95,250	158,750	6,4	1,5	0,33	2,02	3,00	2,00	<b>97969Л</b>

Ⓢ - исполнение посадочных поверхностей соответствует дюймовой системе допусков (отклонение в плюс)  
Ⓢ - design of fitting surfaces complies with inch system of tolerances (deviation with plus)



DOUBLE-ROW TAPER ROLLER BEARINGS

Предназначены для восприятия радиальных и двусторонних осевых нагрузок. Изготавливаются подшипники с заранее заданным осевым зазором или натягом. При монтаже подшипниковой опоры дополнительной регулировки осевого зазора-натяга не требуется. Благодаря увеличенной ширине и увеличенному поперечному сечению наружного кольца возможна посадка без запрессовки, что ускоряет монтаж и демонтаж подшипника.

These bearings are intended for accommodation of radial and double direction axial loads. They are produced with given axial clearance and pre-load. They do not require additional axial clearance adjustment when bearing mounting. Due to increased width and extended cross section of the outer ring it is possible to fit bearings without pressing - this simplifies bearing mounting and dismounting.

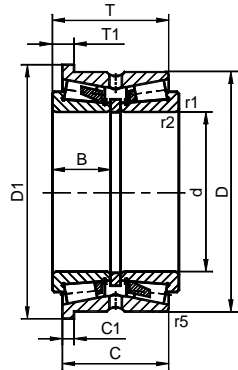
SERIES 97000, 927000, 2097000

Грузоподъемность, Н Basic load ratings, N		Предельное число оборотов, об/мин Limiting speeds, n/min	Масса, кг Mass, kg	Условное обозначение подшипника Bearing designation	Завод-изготовитель Manufacturer
динамич. dynamic	статич. static				
C	C <sub>0</sub>	при смазке lubrication	m	ЕПК EBC	Международное International
125000	168000	5700	1,649	<b>97810Л1</b>	ВПЗ-15
26700	412000	2400	3,905	<b>97815Л</b>	ВПЗ-15
192000	292000	3000	3,410	<b>97818Л</b>	ВПЗ-15
280000	473000	2500	5,600	<b>97718Л</b>	ВПЗ-15
279000	471000	2500	5,110	<b>97919Л</b>	ВПЗ-15
327000	2400	2400	5,260	<b>97920Л</b>	ВПЗ-15
364000	668000	2500	8,020	<b>97724Л1</b>	ВПЗ-15
697000	1310000	1800	31,140	<b>97936Л</b>	Ⓢ HM237545/HM237510CD TIMKEN
1120000	2350000	1300	39,200	<b>2097140</b>	ВПЗ-15
696000	1620000	1000	25,900	<b>97944Л</b>	ВПЗ-15
729000	1770000	1500	31,529	<b>97846Л</b>	ВПЗ-15
729000	1770000	1500	22,870	<b>2097948Л1</b>	ВПЗ-15
714000	1720000	1500	26,450	<b>97848ЛУ</b>	ВПЗ-15
1080000	2460000	800	39,400	<b>2097952Л</b>	ВПЗ-15
1080000	2460000	800	93,030	<b>927952Л</b>	ВПЗ-15
2340000	5920000	500	112,500	<b>97969Л</b>	Ⓢ HM262749/HM262710CD TIMKEN

Возможные неточности и опечатки не могут являться основанием для юридических претензий  
No liability can be accepted for any errors and omissions



**ПОДШИПНИКИ РОЛИКОВЫЕ КОНИЧЕСКИЕ ДВУХРЯДНЫЕ  
С БОРТОМ НА НАРУЖНОМ КОЛЬЦЕ**



ТИП 697000

Размеры, мм Dimensions, mm										Коэффициент нагрузки Load ability factors				Условное обозначение подшипника Bearing designation
d	D	D1	T	T1	B	C	C1	r1,2 min min	r5 min	e	Y1	Y2	Y0	
50,000	90,000	94,760	64,000	11,110	29,000	51,300	4,760	2,0	0,3	0,30	2,23	3,32	2,18	697810ЛК
55,000	100,000	104,500	65,000	10,000	29,500	54,000	4,500	2,0	0,3	0,34	2,00	2,99	1,96	697711ЛКУ
60,000	100,000	104,500	58,000	10,000	26,500	47,000	4,700	1,3	0,3	0,35	1,95	2,90	1,90	697712Л
70,000	120,000	125,550	71,240	11,110	32,000	59,880	5,550	1,8	0,5	0,30	2,23	3,32	2,18	697814Л
75,000	130,000	136,000	79,000	12,000	37,000	66,000	5,500	1,8	0,5	0,22	3,07	4,57	3,00	697815Л
80,000	140,000	147,000	85,000	13,930	38,500	69,140	6,200	2,3	0,5	0,24	2,76	4,11	2,70	697716Л
85,000	140,000	146,340	85,000	14,280	38,500	69,140	6,350	2,3	0,5	0,24	2,76	4,11	2,70	697817Л
98,425	152,400	159,340	92,000	15,000	42,000	76,000	7,300	0,7	0,5	0,25	2,71	4,04	2,65	697920Л1У
120,000	180,000	188,000	96,800	15,150	44,000	80,500	7,000	2,5	0,6	0,30	2,28	3,39	2,23	697724Л1
120,000	190,000	198,000	108,000	17,600	50,000	88,800	8,000	2,5	0,6	0,27	2,54	3,74	2,45	697824Л
120,000	200,000	208,000	84,050	19,860	38,000	64,000	10,000	2,3	0,3	0,46	1,47	2,19	1,44	697924У
140,000	190,000	198,000	87,000	12,700	38,000	73,000	5,900	2,0	0,5	0,33	2,04	3,04	2,00	697828Л
140,000	210,000	218,000	100,000	15,000	46,000	84,000	7,000	2,3	0,7	0,22	3,07	4,57	3,00	697928Л1
160,000	240,000	248,000	110,000	17,000	50,000	92,000	8,000	2,5	0,9	0,25	2,69	4,00	2,63	697732Л
185,000	235,000	243,000	85,000	14,000	37,000	70,000	6,550	2,0	0,5	0,22	3,11	4,64	3,04	697737Л
190,000	290,000	304,000	130,000	23,000	52,000	108,000	12,000	2,5	0,9	0,38	1,78	2,65	1,74	697838Л
240,000	320,000	334,000	128,800	19,500	56,000	107,000	9,000	3,0	0,5	0,33	2,03	3,02	1,98	697848ЛУ

© - исполнение посадочных поверхностей соответствует дюймовой системе допусков (отклонение в плюс)  
© - design of fitting surfaces complies with inch system of tolerances (deviation with plus)



**DOUBLE-ROW TAPER ROLLER BEARINGS  
WITH FLANGE ON OUTER RING**

Предназначены для восприятия радиальных и двусторонних осевых нагрузок. Изготавливаются подшипники с заранее заданным осевым зазором. Наличие борта на наружном кольце позволяет упростить конструкцию подшипникового узла, обработку посадочных отверстий в корпусе. Различное количество роликов в рядах подшипника способствует гашению резонансной вибрации шпинделя. Увеличенная ширина наружного кольца и увеличенное поперечное сечение позволяет осуществить посадку без запрессовки, что ускоряет монтаж и демонтаж подшипника.

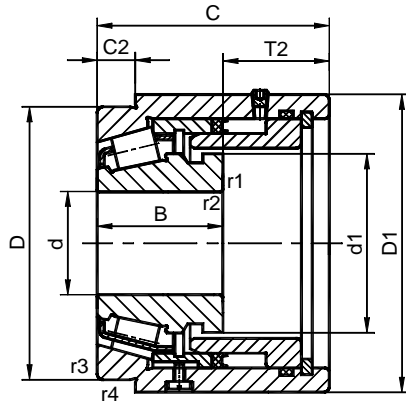
These bearing are intended for accommodation of radial and double direction axial loads. They are produced with given axial clearance. The flange on the outer ring permits to simplify bearing unit design and machining of fitting surface in the housing. A various number of rollers in bearing rows promotes the weakening of spindle resonant vibration. Increased width of the outer ring and extended cross section allow to carry out fitting without pressing; this facilitates bearing mounting and dismounting.

SERIES 697000

Грузоподъемность, Н Basic load ratings, N		Предельное число оборотов, об/мин Limiting speeds, n/min	Масса, кг Mass, kg	Условное обозначение подшипника Bearing designation			Завод-изготовитель Manufacturer
динамич. dynamic	статич. static			при смазке lubrication	Международное International	ИСО 355 ISO 355	
C	Co	жидк. oil	m	ЕПК EBC			
125000	168000	3200	1,643	697810ЛК	© 111050/111090H	GAMET	ВПЗ-15
152000	224000	3200	2,050	697711ЛКУ	© 110055/110100HEO	GAMET	ВПЗ-15
138000	200000	3200	1,690	697712Л	© 113060/113100H	GAMET	ВПЗ-15
200000	315000	3200	3,612	697814Л	© 130070/130120HE	GAMET	ВПЗ-15
267000	412000	2400	4,015	697815Л			ВПЗ-15
268000	434000	2800	5,110	697716Л	© 140080/140140H	GAMET	ВПЗ-15
268000	434000	2700	4,725	697817Л	© 140085/140140HE	GAMET	ВПЗ-15
327000	545000	2400	5,490	697920Л1У			ВПЗ-15
364000	668000	2000	8,000	697724Л1			ВПЗ-15
450000	807000	2000	10,500	697824Л	© 184120/184190H	GAMET	ВПЗ-15
417000	816000	2000	10,044	697924У			ВПЗ-15
261000	574000	2000	6,880	697828Л			ВПЗ-15
488000	923000	2000	11,250	697928Л1			ВПЗ-15
544000	1110000	1600	16,400	697732Л			ВПЗ-15
337000	725000	1600	7,920	697737Л			ВПЗ-15
697000	1310000	1300	28,040	697838Л			ВПЗ-15
731000	177000	1000	26,950	697848ЛУ			ВПЗ-15

Возможные неточности и опечатки не могут являться основанием для юридических претензий  
No liability can be accepted for any errors and omissions

**ПОДШИПНИКИ РОЛИКОВЫЕ КОНИЧЕСКИЕ ОДНОРЯДНЫЕ  
СПЕЦИАЛЬНЫЕ С РЕГУЛИРУЕМЫМ НАТЯГОМ**



ТИП 117000

Размеры, мм Dimensions, mm										Коэффициент нагрузки Load ability factors			Условное обозначение подшипника Bearing designation
d	D	D1	T2	B	C	C2	d1	r1,2 min	r3,4 min	e	Y	Y <sub>0</sub>	
70,000	122,000	132,000	33,000	37,000	69,000	13,000	91,400	2,0	1,0	0,30	1,98	1,09	<b>117714</b>
160,000	227,000	235,000	35,000	45,000	80,000	15,000	187,000	1,1	1,1	0,42	1,43	0,78	<b>117732K</b>
219,000	300,000	315,000	39,000	69,500	106,000	20,000	260,500	3,0	3,0	0,31	1,94	1,06	<b>117944</b>

**SPECIAL SINGLE-ROW TAPER ROLLER BEARINGS  
WITH REGULATING PRE-LOAD**

Управление величиной натяга в подшипниках осуществляется гидравлическим способом, путем изменения величины управляющего давления масла, подаваемого в камеру регулирования натяга. При поддержании давления масла на постоянном уровне предварительный натяг подшипника не меняется даже тогда, когда в подшипниках, шпинделе и корпусе во время работы наблюдается различное тепловое расширение.

Изменение давления во время рабочего цикла позволяет регулировать предварительный натяг подшипников в зависимости от частоты вращения и нагрузки. Подшипники устанавливаются в задней опоре высокоточного шпиндельного узла, в станках, работающих в широком диапазоне скоростей и нагрузок.

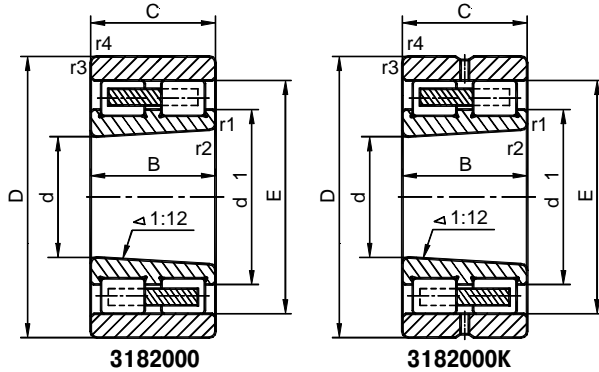
Adjustment of the preload in these bearings is achieved with a hydraulic method by means of changing the value of operating pressure oil injected into a preload adjustment cell. When keeping up the oil pressure on constant level preload does not change, even when various heat extension is observed in bearings, spindle and in the housing during operation. Pressure adjustment provides to adapt bearing preload for changes of rotation frequency and load. These bearings are mounted in the rear support of precision spindle unit, machine-tools working in a wide range of speeds and loads.

SERIES 117000

Грузоподъемность, Н Basic load ratings, N		Предельное число оборотов, об/мин Limiting speeds, n/min	Масса, кг Mass, kg	Условное обозначение подшипника Bearing designation		Завод-изготовитель Manufacturer
динамич. dynamic	статич. static			при смазке lubrication	Международное International	
C	Co	жидк. oil	m	<b>ЕПК</b> <b>EBC</b>		
130000	182000	4000	3,315	<b>117714</b>		ВПЗ-15
153000	263000	2000	9,544	<b>117732K</b>		ВПЗ-15
501000	1070000	1500	22,127	<b>117944</b>		ВПЗ-15

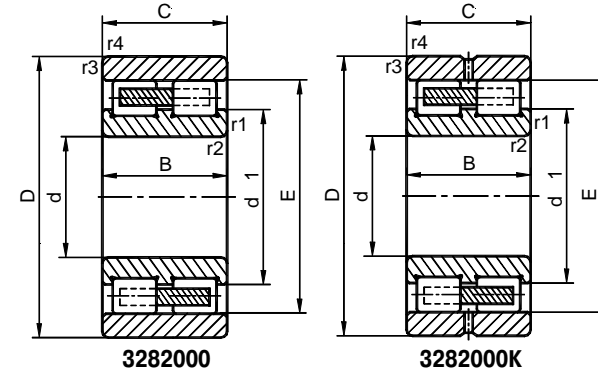


**ПОДШИПНИКИ РОЛИКОВЫЕ РАДИАЛЬНЫЕ С КОРОТКИМИ ЦИЛИНДРИЧЕСКИМИ РОЛИКАМИ ДВУХРЯДНЫЕ**



Воспринимают только радиальную нагрузку. Допускают двустороннее относительное осевое перемещение колец. При эксплуатации эти подшипники допускают регулирование радиального зазора, а в случае необходимости, создания предварительного натяга между дорожками качения и роликами. Радиальный зазор регулируют осевым перемещением внутреннего кольца по конической шейке вала.

**DOUBLE-ROW CYLINDRICAL ROLLER BEARINGS WITH TAPERED BORE**



These bearings can accommodate only radial load. They permit double direction relative axial displacement of the bearing rings.

These bearings permit radial clearance adjustment during service life and preload between raceways and rollers in case of necessity. The radial clearance is adjusted by axial displacement of the inner ring along the taper axle journal.

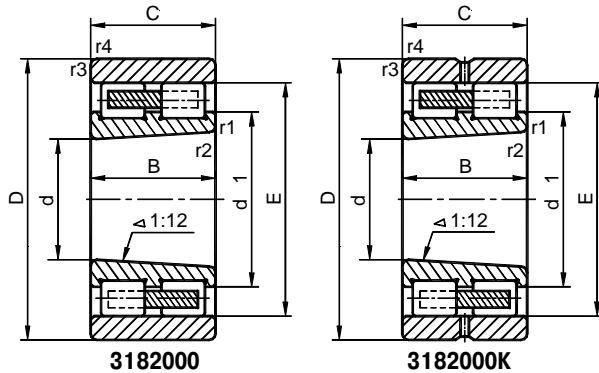
ТИП 3182000, 3282000

Размеры, мм Dimensions, mm								Условное обозначение подшипника Bearing designation
d	D	B	C	E	d1	r1,2 min	r3,4 min	
30,000	55,000	19,000	19,000	49,000	39,400	1,0	1,0	<b>3182106</b>
35,000	62,000	20,000	20,000	55,500	45,500	1,0	1,0	<b>3182107</b>
40,000	68,000	21,000	21,000	61,000	50,600	1,0	1,0	<b>3182108K</b>
45,000	75,000	23,000	23,000	68,100	56,300	1,0	1,0	<b>3182109K</b>
50,000	80,000	23,000	23,000	73,300	61,300	1,0	1,0	<b>3182110K</b>
55,000	90,000	26,000	26,000	81,000	68,200	1,1	1,1	<b>3182111K</b>
60,000	95,000	26,000	26,000	86,100	73,300	1,1	1,1	<b>3182112</b>
60,000	95,000	26,000	26,000	86,000	73,300	1,1	1,1	<b>3182112KE</b>
65,000	100,000	26,000	26,000	91,000	78,200	1,1	1,1	<b>3182113K</b>
70,000	110,000	30,000	30,000	100,000	85,600	1,1	1,1	<b>3182114</b>
70,000	110,000	30,000	30,000	100,000	85,600	1,1	1,1	<b>3182114KE</b>
75,000	115,000	30,000	30,000	105,000	90,600	1,1	1,1	<b>3182115</b>
75,000	115,000	30,000	30,000	105,000	90,600	1,1	1,1	<b>3182115K</b>
80,000	125,000	34,000	34,000	113,000	97,000	1,1	1,1	<b>3182116</b>
80,000	125,000	34,000	34,000	113,000	97,000	1,1	1,1	<b>3182116KE</b>
85,000	130,000	34,000	34,000	118,000	102,000	1,1	1,1	<b>3182117K</b>
90,000	140,000	37,000	37,000	127,000	108,000	1,5	1,5	<b>3182118</b>
90,000	140,000	37,000	37,000	127,000	109,400	1,5	1,5	<b>3182118KE</b>
95,000	145,000	37,000	37,000	132,000	114,400	1,5	1,5	<b>3182119KE</b>
100,000	150,000	37,000	37,000	138,000	119,000	1,5	1,5	<b>3182120</b>
100,000	150,000	37,000	37,000	137,000	119,400	1,5	1,5	<b>3182120KE</b>
100,000	150,000	37,000	37,000	205,500	178,300	1,5	1,5	<b>3282120</b>
105,000	160,000	41,000	41,000	146,500	125,700	2,0	2,0	<b>3182121K</b>

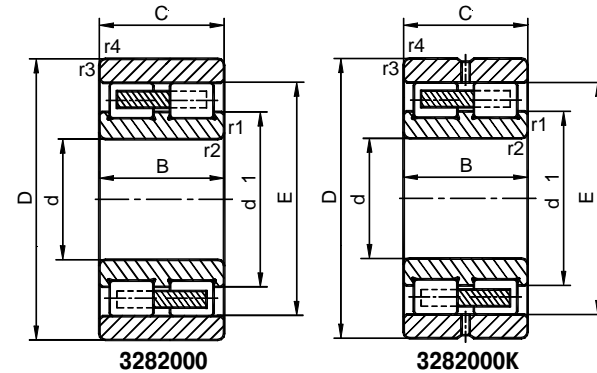
SERIES 3182000, 3282000

Грузоподъемность, Н Basic load ratings, N		Предельное число оборотов, об/мин Limiting speeds, n/min		Масса, кг Mass, kg	Условное обозначение подшипника Bearing designation		Завод-изготовитель Manufacturer
динамич. dynamic	статич. static	при смазке lubrication			ЕПК ЕВС	Международное International	
C	Co	пласт. grease	жидк. oil	m			
31500	38300	16000	18000	0,190	<b>3182106</b>	NN3006K	ГПЗ-1
40000	51500	14000	16000	0,250	<b>3182107</b>	NN3007K	ГПЗ-1
44000	57000	12000	14000	0,294	<b>3182108K</b>	NN3008K.W33	ГПЗ-1
53000	66200	11000	13000	0,400	<b>3182109K</b>	NN3009K.W33	ГПЗ-1
54000	73600	10000	12000	0,430	<b>3182110K</b>	NN3010K.W33	ГПЗ-1
70500	97500	9500	11000	0,620	<b>3182111K</b>	NN3011K.W33	ГПЗ-1
75500	111000	6300	8000	0,690	<b>3182112</b>	NN3012K	SKF ВПЗ-15
74500	108000	9000	10000	0,610	<b>3182112KE</b>	NN3012KTN.W33	ГПЗ-1
78500	116000	8500	9500	0,700	<b>3182113K</b>	NN3013K.W33	ГПЗ-1
97400	148000	5000	6300	1,033	<b>3182114</b>	NN3014K	SKF ВПЗ-15
99500	150000	7500	8500	0,970	<b>3182114KE</b>	NN3014KTN.W33	ГПЗ-1
99300	155000	5000	6300	1,096	<b>3182115</b>	NN3015K	SKF ВПЗ-15
99500	150000	7000	8000	1,120	<b>3182115K</b>	NN3015K.W33	ГПЗ-1
129000	207000	4500	5600	1,553	<b>3182116</b>	NN3016K	SKF ВПЗ-15
122000	184000	6700	7500	1,510	<b>3182116KE</b>	NN3016KTN.W33	ГПЗ-1
128000	199000	6300	7000	1,620	<b>3182117K</b>	NN3017K.W33	ГПЗ-1
154000	236000	4000	5000	1,990	<b>3182118</b>	NN3018K	SKF ВПЗ-15
146000	213000	6000	6700	2,008	<b>3182118KE</b>	NN3018KTN.W33	ГПЗ-1
153000	230000	5600	6300	2,080	<b>3182119KE</b>	NN3019KTN.W33	ГПЗ-1
167000	268000	3400	4300	2,120	<b>3182120</b>	NN3020K	SKF ВПЗ-15
160000	247000	5300	6000	1,980	<b>3182120KE</b>	NN3020KTN.W33	ГПЗ-1
160000	247000	5300	6000	2,260	<b>3282120</b>	NN3020	ГПЗ-1
202000	305000	5000	5600	2,840	<b>3182121K</b>	NN3021K.W33	ГПЗ-1

Возможные неточности и опечатки не могут являться основанием для юридических претензий  
No liability can be accepted for any errors and omissions



Воспринимают только радиальную нагрузку. Допускают двустороннее относительное осевое перемещение колец. При эксплуатации эти подшипники допускают регулирование радиального зазора, а в случае необходимости, создания предварительного натяга между дорожками качения и роликами. Радиальный зазор регулируют осевым перемещением внутреннего кольца по конической шейке вала.



These bearings can accommodate only radial load. They permit double direction relative axial displacement of the bearing rings.

These bearings permit radial clearance adjustment during service life and preload between raceways and rollers in case of necessity. The radial clearance is adjusted by axial displacement of the inner ring along the taper axle journal.

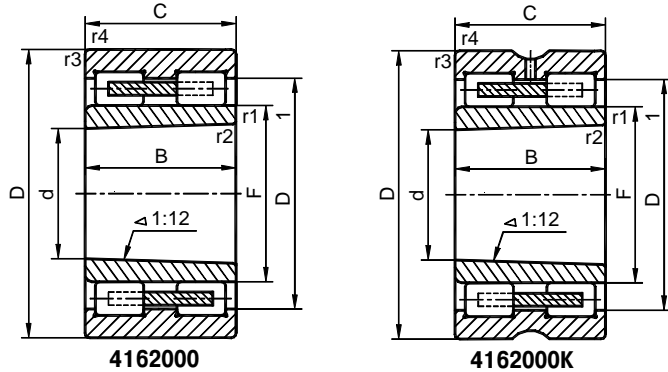
**ТИП 3182000, 3282000**

Размеры, мм Dimensions, mm								Условное обозначение подшипника Bearing designation
d	D	B	C	E	d1	r1,2 min	r3,4 min	
110,000	170,000	45,000	45,000	155,000	132,600	2,0	2,0	<b>3182122</b>
110,000	170,000	45,000	45,000	155,000	132,500	2,0	2,0	<b>3182122K</b>
120,000	180,000	46,000	46,000	165,000	142,000	2,0	2,0	<b>3182124</b>
120,000	180,000	46,000	46,000	165,000	141,000	2,0	2,0	<b>3182124K</b>
130,000	200,000	52,000	52,000	182,000	156,400	2,0	2,0	<b>3182126</b>
130,000	200,000	52,000	52,000	182,000	156,400	2,0	2,0	<b>3182126K</b>
140,000	210,000	53,000	53,000	193,300	166,400	2,0	2,0	<b>3182128K</b>
140,000	210,000	53,000	53,000	193,300	166,400	2,0	2,0	<b>3282128K</b>
150,000	225,000	56,000	56,000	205,500	178,300	2,1	2,1	<b>3182130K</b>
150,000	225,000	56,000	56,000	205,500	178,300	3,5	3,5	<b>3282130K</b>
160,000	240,000	60,000	60,000	219,000	189,500	2,1	2,1	<b>3182132</b>
160,000	240,000	60,000	60,000	219,000	190,200	3,5	2,1	<b>3182132K1</b>
170,000	260,000	67,000	67,000	236,000	204,000	2,1	2,1	<b>3182134K1</b>
170,000	260,000	67,000	67,000	236,000	204,000	2,1	2,1	<b>3282134K</b>
180,000	280,000	74,000	74,000	255,000	218,200	2,1	2,1	<b>3182136K1</b>
200,000	310,000	82,000	82,000	282,000	242,000	2,1	2,1	<b>3182140</b>
200,000	310,000	82,000	82,000	282,000	242,000	2,1	2,1	<b>3182140K</b>
200,000	310,000	82,000	82,000	282,000	242,000	2,1	2,1	<b>3282140K</b>
220,000	340,000	90,000	90,000	310,000	265,000	3,0	3,0	<b>3182144</b>
240,000	360,000	92,000	92,000	331,400	285,200	3,0	3,0	<b>3182148K</b>
260,000	400,000	104,000	104,000	364,000	312,800	4,0	4,0	<b>3182152K</b>
280,000	420,000	106,000	106,000	384,000	332,800	4,0	4,0	<b>3182156</b>
280,000	420,000	106,000	106,000	384,000	332,800	4,0	4,0	<b>3282156</b>
320,000	480,000	121,000	121,000	438,000	380,000	4,0	4,0	<b>3182164</b>

**SERIES 3182000, 3282000**

Грузоподъемность, Н Basic load ratings, N		Предельное число оборотов, об/мин Limiting speeds, n/min		Масса, кг Mass, kg	Условное обозначение подшипника Bearing designation		Завод-изготовитель Manufacturer	
динамич. dynamic	статич. static	при смазке lubrication			ЕПК EBC	Международное International		
C	Co	пласт. grease	жидк. oil	m				
220000	358000	3200	4000	3,544	<b>3182122</b>	NN3022K	SKF	ВПЗ-15
233000	361000	4800	5300	3,500	<b>3182122K</b>	NN3022K.W33		ГПЗ-1
245000	398000	3000	3800	3,890	<b>3182124</b>	NN3024K	SKF	ВПЗ-15
244000	383000	4500	5000	3,860	<b>3182124K</b>	NN3024K.W33		ГПЗ-1
284000	476000	2600	3200	5,850	<b>3182126</b>	NN3026K	SKF	ВПЗ-15
290000	478000	4000	4500	5,340	<b>3182126K</b>	NN3026K.W33		ГПЗ-1
305000	515000	3800	4300	5,700	<b>3182128K</b>	NN3028K.W33		ГПЗ-1
305000	515000	3800	4300	6,300	<b>3282128K</b>	NN3028K.W33		ГПЗ-1
340000	570000	3600	4000	7,560	<b>3182130K</b>	NN3030K.W33		ГПЗ-1
340000	570000	3600	4000	7,810	<b>3282130K</b>	NN3030K.W33		ГПЗ-1
407000	711000	2000	2600	9,258	<b>3182132</b>	NN3032K	SKF	ВПЗ-15
380000	635000	3400	3800	8,220	<b>3182132K1</b>	NN3032K.W33		ГПЗ-1
460000	791000	3000	3400	12,800	<b>3182134K1</b>	NN3034K.W33		ГПЗ-1
460000	791000	3000	3400	12,900	<b>3282134K</b>	NN3034.W33		ГПЗ-1
575000	994000	2800	3200	16,750	<b>3182136K1</b>	NN3036K.W33		ГПЗ-1
706000	1250000	1600	2000	22,200	<b>3182140</b>	NN3040K	SKF	ВПЗ-15
665000	1140000	2400	2800	21,900	<b>3182140K</b>	NN3040K.W33		ГПЗ-1
665000	1140000	2400	2800	23,100	<b>3282140K</b>	NN3040		ГПЗ-1
830000	1440000	1500	1800	29,400	<b>3182144</b>	NN3044K		ГПЗ-1
870000	1560000	1300	1600	32,660	<b>3182148K</b>	NN3048K.W33		ГПЗ-1
1050000	1910000	1200	1500	46,300	<b>3182152K</b>	NN3052K.W33		ГПЗ-1
1080000	2060000	1800	2000	49,200	<b>3182156</b>	NN3056K		ГПЗ-1
1080000	2060000	1800	2000	51,500	<b>3282156</b>	NN3056		ГПЗ-1
1320000	2580000	1600	1800	74,900	<b>3182164</b>	NN3064K		ГПЗ-1

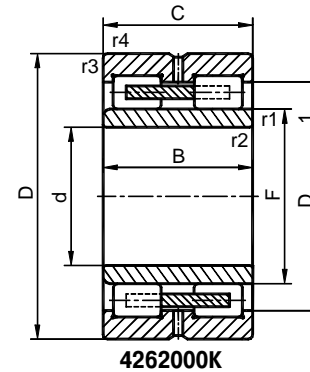
## ПОДШИПНИКИ РОЛИКОВЫЕ РАДИАЛЬНЫЕ С КОРОТКИМИ ЦИЛИНДРИЧЕСКИМИ РОЛИКАМИ ДВУХРЯДНЫЕ



ТИП 4162000, 4262000

Размеры, мм Dimensions, mm								Условное обозначение подшипника Bearing designation
d	D	B	C	F	D1	r <sub>1,2</sub> min	r <sub>3,4</sub> min	
100,000	140,000	40,000	40,000	113,000	127,300	1,1	1,1	<b>4162920K</b>
130,000	180,000	50,000	50,000	146,000	163,000	1,5	1,5	<b>4162926</b>
190,000	260,000	69,000	69,000	211,500	237,400	2,0	2,0	<b>4162938</b>
190,000	260,000	69,000	69,000	211,500	237,400	2,0	2,0	<b>4162938K</b>
280,000	350,000	69,000	69,000	303,000	329,000	1,1	2,0	<b>4162856K</b>
280,000	350,000	69,000	69,000	303,000	329,000	1,1	2,0	<b>4262856K</b>
500,000	670,000	170,000	170,000	554,000	612,000	5,0	5,0	<b>42629/500KY</b>

## DOUBLE-ROW CYLINDRICAL ROLLER BEARINGS WITH TAPERED BORE



Воспринимают только радиальную нагрузку. Допускают двустороннее относительное осевое перемещение колец. При эксплуатации подшипники серий 4162000 и 4162000K допускают регулирование радиального зазора, а в случае необходимости, создание предварительного натяга между дорожками качения и роликами. Радиальный зазор регулируют осевым перемещением внутреннего кольца по конической шейке вала.

These bearings can accommodate only radial load. They permit double direction relative axial displacement of the bearing rings. Bearings of 4162000 and 4162000K series permit radial clearance adjustment during service life and preload between raceways and rollers in case of necessity. The radial clearance is adjusted by axial displacement of the inner ring along the taper axle journal.

SERIES 4162000, 4262000

Грузоподъемность, Н Basic load ratings, N		Предельное число оборотов, об/мин Limiting speeds, n/min		Масса, кг Mass, kg	Условное обозначение подшипника Bearing designation		Завод-изготовитель Manufacturer
динамич. dynamic	статич. static	при смазке lubrication			EPC EBC	Международное International	
C	Co	пласт. grease	жидк. oil	m			
129000	243000	3800	4800	1,780	<b>4162920K</b>	NNU4920BK	ГПЗ-1
203000	398000	3000	3800	3,560	<b>4162926</b>	NNU4926K FAG	ВПЗ-15
405000	856000	1600	2000	9,850	<b>4162938</b>	NNU4938BK.W33	ГПЗ-1
405000	856000	1600	2000	9,830	<b>4162938K</b>	NNU4938BK.W33	ГПЗ-1
454000	1050000	1300	1700	14,000	<b>4162856K</b>	NNU4856K/W33 SKF	ВПЗ-15
454000	1050000	1300	1700	14,000	<b>4262856K</b>	NNU4856/W33 SKF	ВПЗ-15
2320000	5860000	870	1100	172,000	<b>42629/500KY</b>	NNU49/500B/SPW33X.C3 SKF	ВПЗ-15



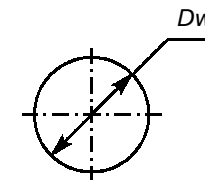
## Rolling elements

### Balls

Base nomenclature data of produced balls are included in the catalogue. Accuracy grade and technical requirements for balls and their designation are regulated by GOST 3722.

Balls are produced of bearing steel, but according to the customer's order can be manufactured of different grades of steel.

The customer must keep balls in warehouse in manufacture's packing.



### Шарики Balls

Диаметр шарика Diameter of balls		Масса 1000 шт. Mass 1000 pieces	Диаметр шарика Diameter of balls		Масса 1000 шт. Mass 1000 pieces
мм	дюйм		мм	дюйм	
3,969	5/32	0,257	19,050	3/4	28,40
4,000	–	0,263	19,844	25/32	32,10
4,763	3/16	0,444	22,225	7/8	45,10
5,000	–	0,514	23,812	15/16	55,50
5,556	7/32	0,705	24,606	31/32	61,20
5,953	15/64	0,867	25,400	1	67,3
6,000	–	0,887	26,988	1 1/16	80,80
6,350	1/4	1,05	27,871	1 3/32	88,10
7,000	–	1,41	28,575	1 1/8	95,80
7,144	9/32	1,50	30,000	–	111,0
7,938	5/16	2,06	30,162	1 3/16	113,0
8,731	11/32	2,73	31,750	1 1/4	132,0
9,000	–	3,00	33,338	1 5/16	152,0
9,525	3/8	3,55	34,925	1 3/8	175,0
9,922	25/64	4,01	36,512	1 7/16	200,0
10,000	–	4,11	38,1	1 1/2	227,0
10,319	13/32	4,51	42,862	1 1/16	324,0
11,112	7/16	5,64	44,450	1 3/4	361,0
12,700	1/2	8,42	47,625	1 7/8	444,0
14,288	9/16	12,00	50,800	2	539,0
15,081	19/32	14,10	60,000	–	887,0
15,875	5/8	16,4	63,500	2 1/2	1052,0
16,000	–	16,8	76,200	3	1818,0
17,462	11/16	21,90	101,600	4	4308,0
18,256	23/32	25,00			



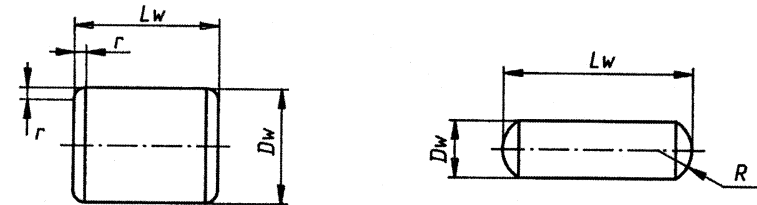
## Cylindrical and needle rollers

Basic nomenclature of cylindrical and needle rollers with nominal diameter and length is included in the catalogue.

Accuracy grade and technical requirements for rollers manufactured of standard bearing steel are regulated:

- for cylindrical rollers – by GOST 22696;
- for needle rollers – by GOST 6870.

Rollers must be kept by customer only in manufacturer's packing.



## Ролики цилиндрические

### Cylindrical and needle rollers

Габаритные размеры, мм Overall dimensions, mm			Масса 1000 шт., кг Mass 1000 pieces
Dw	Lw	rw	
3,5	8	0,3	1,2
8	16	0,5	6,27
10	20	0,5	12,2
10,2	20	0,5	12,5
12,5	22	0,8	19,2
12,7	22	0,8	21,4
18	26	1,0	51,0

## Ролики игольчатые

### Needle rollers

Габаритные размеры, мм Overall dimensions, mm			Масса 1000 шт., кг Mass 1000 pieces
Dw	Lw	R	
3	19,8	1,5	1,1
4	33,8	2,0	3,3
5	49,8	2,5	7,5



## CONTACTS

We deliver bearings all over the world. To get the latest price-list contact EBC sales departments.

**EBC Sales Department**

5 Novoostapovskaya ul.  
Moscow, Russia, 109088

Phone: (7-095) 275 9478  
275 3206  
275 4540  
275 7403  
Fax: (7-095) 275 9478  
274 6097  
[td@ebcorp.ru](mailto:td@ebcorp.ru)