



WITTENSTEIN

alpha

alpha Advanced Line Product catalog

Powerful
Compact
Precise





alpha

alpha Advanced Line Product catalog

Powerful
Compact
Precise

© 2020 by WITTENSTEIN alpha GmbH

All technical specifications were correct at the time of going to print. We are continually developing our products and therefore reserve the right to make modifications. This documentation is subject to occasional errors. Please appreciate that legal claims cannot be asserted as a result of incorrect specifications, illustrations or descriptions. The text, photos, technical drawings and any other illustrations printed in this publication are protected property of WITTENSTEIN alpha GmbH.

Further use of this material in printed or electronic format requires express approval from WITTENSTEIN alpha GmbH.

Any form of duplication, translation, editing, transfer to microfilm or storage on electronic systems is not permitted without express permission from WITTENSTEIN alpha GmbH.

Foreword by company management 06

WITTENSTEIN alpha 08

More than 35 years of innovation

Engineering Tools 12

alpha Advanced Line 16

Product range and applications

Planetary gearboxes 22

SP⁺ / SP⁺ HIGH SPEED 24

TP⁺ / TP⁺ HIGH TORQUE 78

Hypoid gearboxes 124

HG⁺ 126

SK⁺ / SPK⁺ 138

TK⁺ / TPK⁺ / TPK⁺ HIGH TORQUE 176

Bevel gearboxes 224

SC⁺ / SPC⁺ / TPC⁺ 226

Worm gearboxes 258

VH⁺ / VS⁺ / VT⁺ 260

Application-specific solutions 288

DP⁺ 290

HDP⁺ 306

Product portfolio & company 314

Gearbox overview 314

Advanced Linear Systems 320

premo[®] servo actuators 322

Accessories 324

Services 326

WITTENSTEIN group 332

Information 334

Gearboxes general - Detailed sizing 334

Hypoid gearboxes - Detailed sizing 338

Worm gearboxes - Detailed sizing 340

Glossary 342

Order codes 348



Dear Business Associates,

Even though we are extremely passionate about technology and innovation, the success of our customers is our top priority. We have designed our products and services to help you achieve a competitive advantage – through consistently high quality, permanent availability and the best service worldwide.

The product portfolio is divided into four product segments, which have already been successfully established on the market. The alpha Premium Line offers unique, individual solutions. Our alpha Advanced Line provides maximum power density, compact precision and outstanding positioning accuracy. Gearboxes of the alpha Basic and alpha Value Line are especially suitable for applications requiring cost-oriented, particularly flexible yet efficient solutions.

You are sure to find the right solution quickly and easily from our product range. We offer holistic mechanical and mechatronic drive solutions for all types of axis. We also provide complete solutions from a single source on request. Our range of products and solutions will continue to grow in the future because we never stop developing new ideas to make your work easier.

Take our word for it!

Thomas Patzak and Norbert Pastoors
Managing Directors WITTENSTEIN alpha GmbH



YOUR WORLD IS OUR DRIVE.

FOR MORE THAN 35 YEARS.



SP



LP



Linear systems



TPM+



High Performance Linear System



alpha Value Line

1983

1994

1996

1999

2002

2004

2006

2007

2011

2013

2015

TP



cymex®
sizing software



XP+ / TP+ / SP+ / LP+



TPK+ / SPK+ /
HG+ / SK+ / TK+



HDV
Hygienic Design



PERFORMANCE

Performance where it counts:
High torque, outstanding precision and high power density – essential for our products and systems.

FUTURE PROOF

We live processes:
Only those who know the exact details of customer processes and requirements are in a position to develop solutions that offer added value in the short and long term.

SCALABILITY

You never make compromises:
Whatever the performance area – we offer solutions that grow with your requirements.



WITTENSTEIN

alpha

It is good to know today what will be needed tomorrow. Applying it in practice is even better. We develop technology that shapes the future – ENGINEERING FUTURE SOLUTIONS.

EFFICIENCY

We like it „lean“:
We offer products and systems that are energy-efficient and require minimal installation space in machines.

AVAILABILITY

You need reliability:
We have the widest range of products on the market and can implement your application „just in time“.

CONNECTIVITY

We think in terms of interfaces:
All of our systems can be integrated in a wide range of peripherals.



DP+ for Delta robots



INIRA®



alpha Linear Systems



alpha Basic Line



cynapse

2016

cymex® 5



2017

SIZING ASSISTANT



V-Drive Family



2018

premo®



2019

CAD POINT



WITTENSTEIN Service Portal



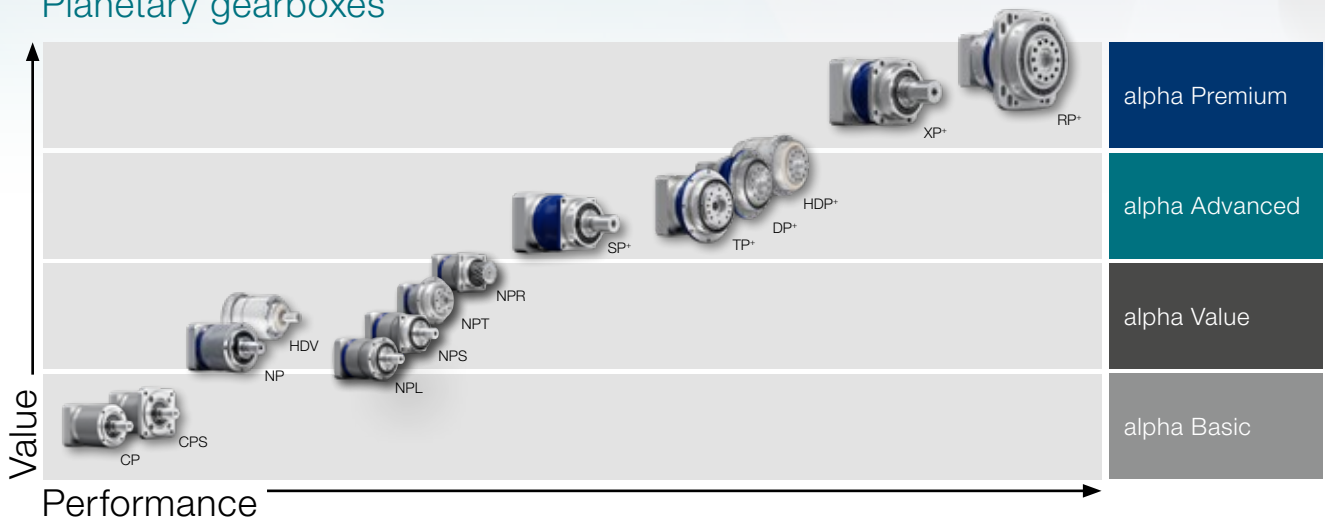
WITTENSTEIN alpha on all axes

Complete drive solutions under one roof

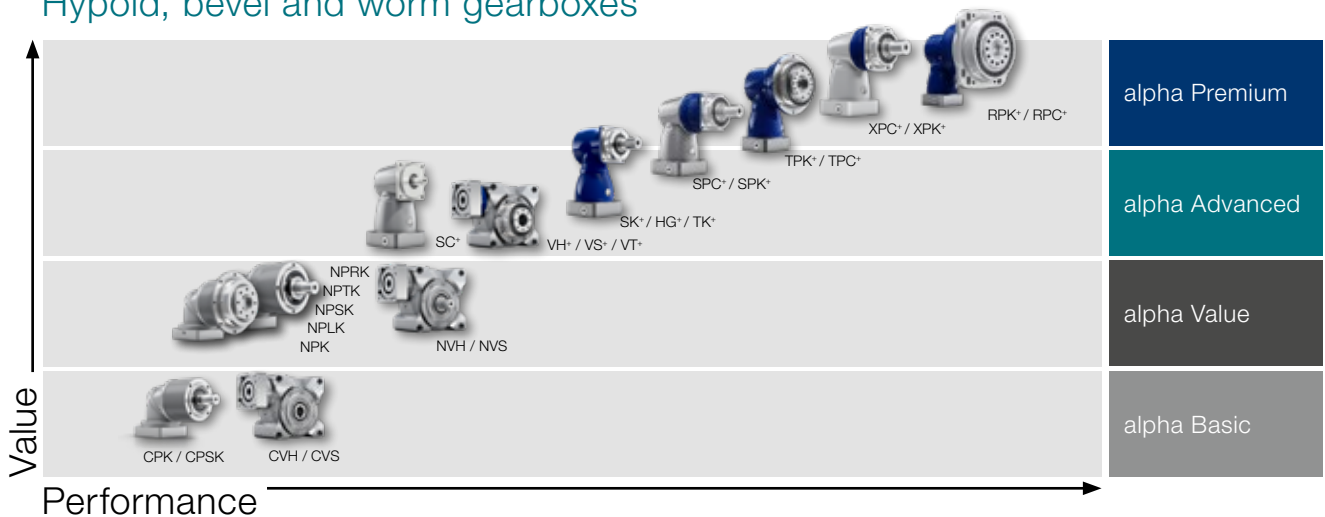
We offer the best solutions for almost every application. In addition to gearboxes, our product portfolio includes a wide range of drive solutions with linear systems and servo actuators. Adapted accessories such as couplings and shrink disks round off the product portfolio.

The diagrams below provide a quick overview of our product portfolio for a wide variety of requirements and applications:

Planetary gearboxes



Hypoid, bevel and worm gearboxes

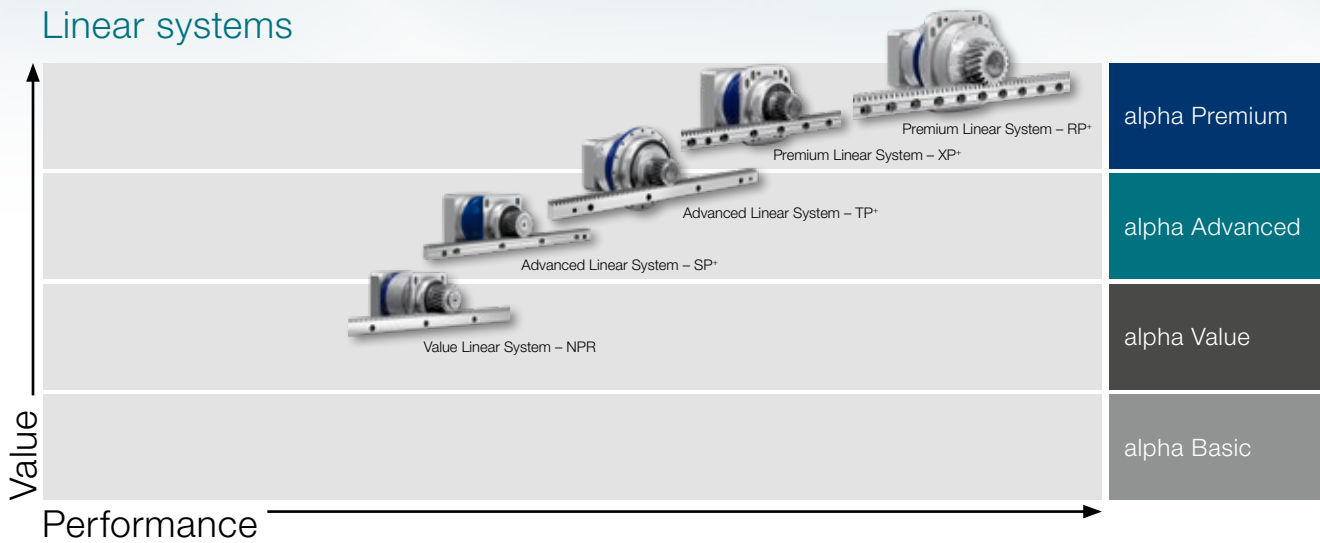


Know-how in every sector

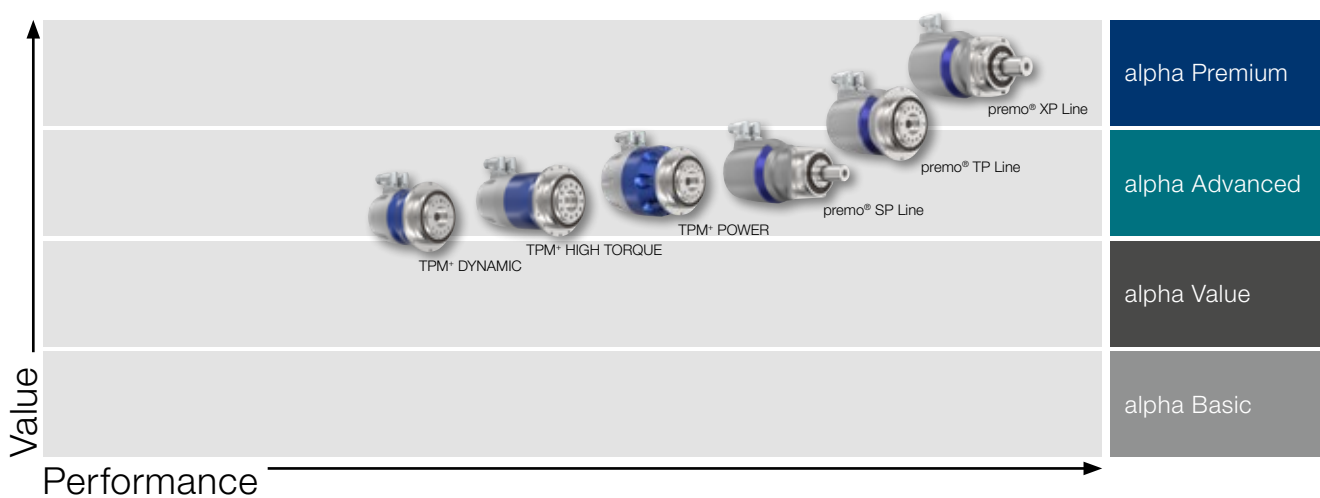
Our solutions range from high-precision axes in manufacturing systems to packaging machines that must operate with maximum productivity in the smallest installation space. Overview:

- Machine tools and production technology
- Food and packaging machines
- Wood working machinery
- Printing and paper machines
- Robotics and automation

Linear systems



Servo actuators



WITTENSTEIN alpha Engineering Tools – several ways to reach your objectives

Our software portfolio helps you choose the right drive

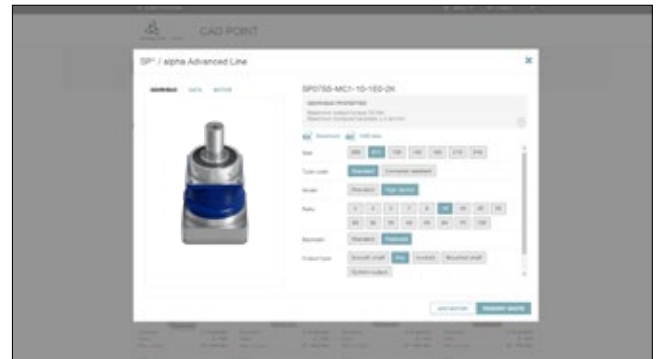
You can conveniently download dimension sheets and CAD data, select the best gearbox quickly and easily design complex kinematic sequences in detail – our software solutions offer various methods of selecting the best, most reliable drive on all axes.



CAD POINT – Your smart catalog

- Performance data, dimension sheets and CAD data for all types of gearbox
- Available online without logging in
- Comprehensive documentation of the selection

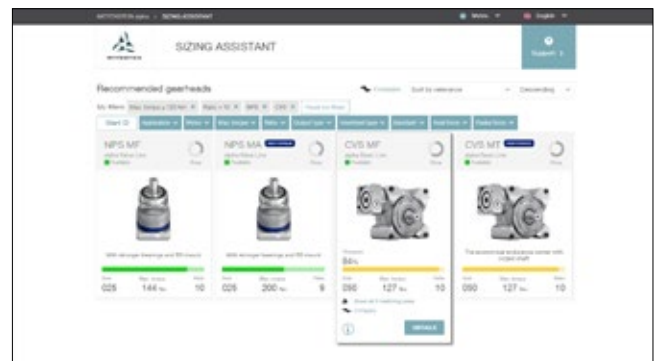
www.wittenstein-cad-point.com



SIZING ASSISTANT – Your Gearbox within Seconds

- Efficient gearbox selection in seconds
- Available online without logging in
- Access by specifying application or motor
- Information about price and delivery time
- Possibility of requesting quotation directly

www.sizing-assistant.com



cymex®5 – Calculate on the Best

- Detailed calculation of complete drive trains
- Precise simulation of motion and load variables
- Downloadable software for complex designs

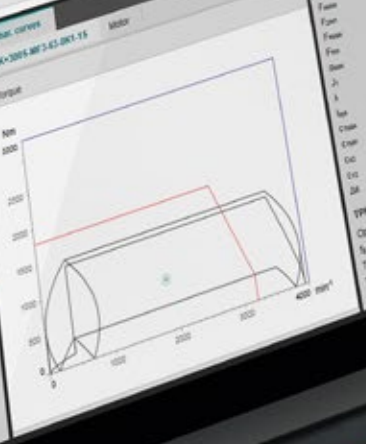
www.wittenstein-cymex.com





Utilization

TPK-3005-MP3-43	Motor	Total
99%	99%	47%
44%	79%	
30%	94%	
99%	70%	
60%	90%	
95%	90%	
21%		
69%		
61%		
90%		
90%		



Data overview

Linear application	Value
Len	8.98 m
Ten	75.96 N
EC	62.41 %
rot	962

Dist group 1

Len	0.5 m
Ten	2.24 N
EC	0.91 m/s ²
rot	19780.22 %
Len	1
Ten	223.88 N/mm
EC	148.83 N/mm
rot	18.88 %
Len	16.16 m

Dist group 2

Len	1458.15 Nm
Ten	197.85 Nm
EC	42.5 mm ²
rot	28.89 mm ²
Len	6770.3 %
Ten	3288.53 N
EC	20480.85 N
rot	8632.36 %
Len	16.64 m/s ²
Ten	837648.12 rpm ²
EC	2.013
rot	13.59
Len	660 Ampere/mm
EC	348.5 Ampere/mm
rot	982.95 N/mm
EC	982.95 N/mm
rot	3.44 arcmin

TPK-3005-MP3-43-MK1-15

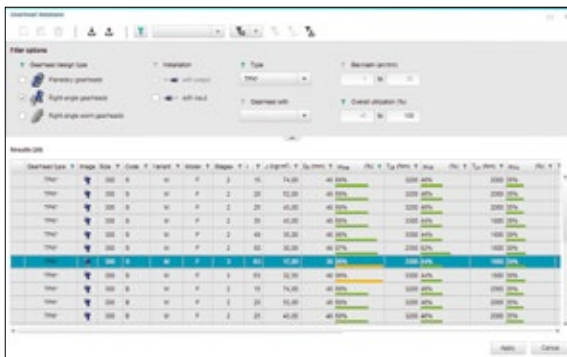
Operating mode	Duration
1	1458.15 Nm
Ten	707.82 Nm

cymex[®]5 is the current standard

With cymex[®] 5, the dimensioning and design of complete drive trains (application + transformation + gearbox + motor) is now fast, simple and reliable. Calculation is made much easier through predefined standard applications. Consideration for all major influencing factors guarantees an optimal design and increases the efficiency of your machine.

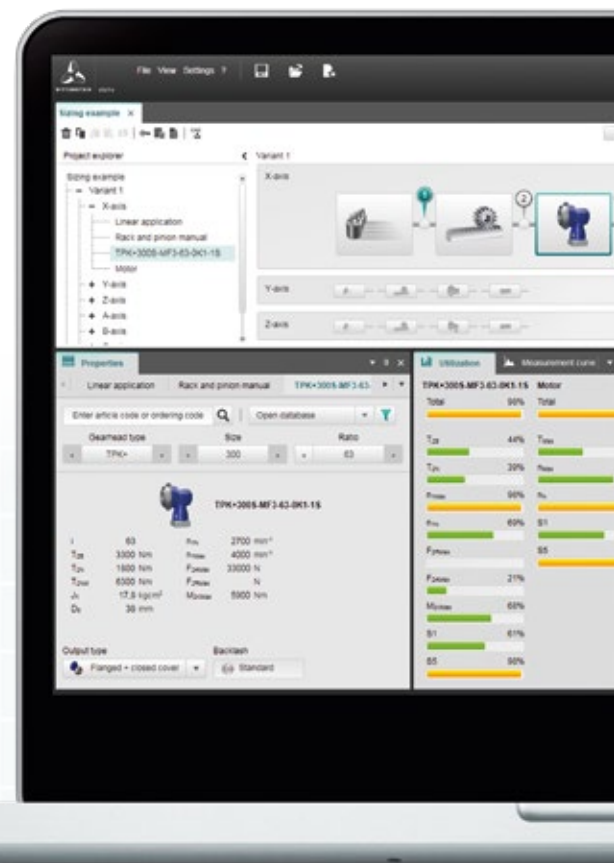
cymex[®] 5 can define any number of axes simultaneously

In contrast to other design tools, cymex[®]5 can define any number of axes at the same time. The version calculation is up to 60% quicker as a result.



cymex[®] 5 has an extremely extensive database

More than 14,000 motors from the 50 most prominent motor manufacturers are stored in the design tool. Continuously updated, always state-of-the-art. Moreover, more than 8,000 gearbox versions from WITTENSTEIN alpha and over 200 combinations of linear systems with all relevant technical specifications can be found here.

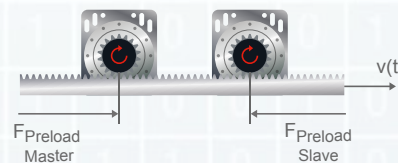


Free download

The basic version of cymex[®]5 design software is available as a free download.



www.wittenstein-cymex.com



cymex[®] 5 incorporates the completely new Master / Slave function*

The Master / Slave function enables the electrically clamped configuration of two drives. The mutual tensioning of master and slave eliminates the backlash in the drive train and provides for a high degree of rigidity in the machine.

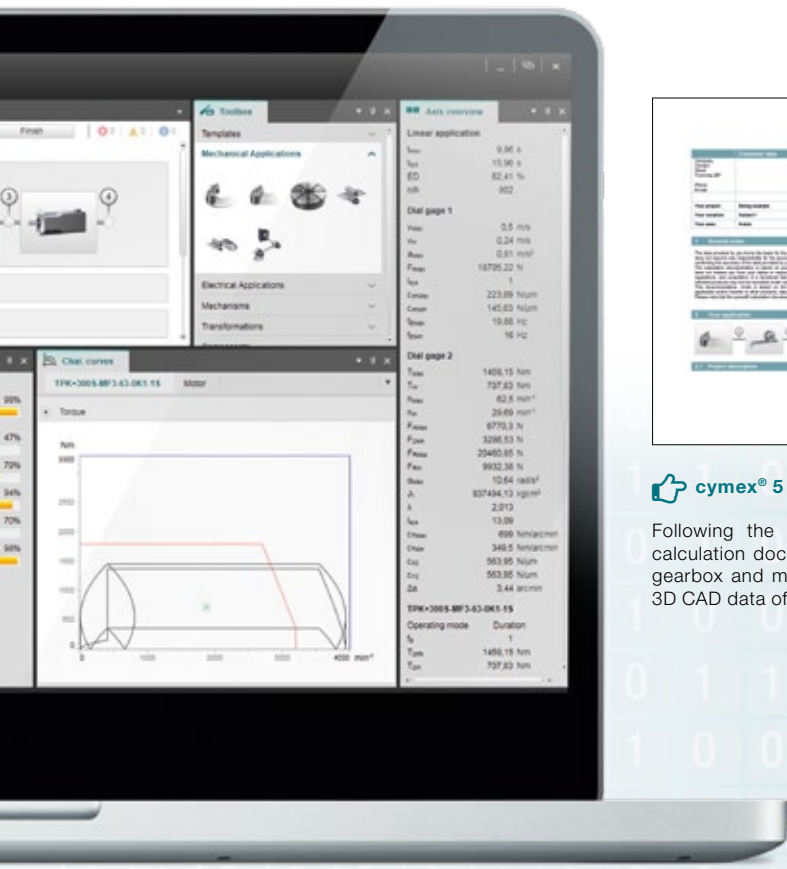
*Premium function, on request.

cymex®5



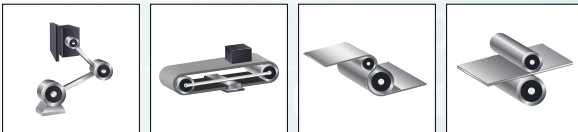
+ cymex® 5 has a unique optimization calculator*

During the design process, cymex®5 provides optimization suggestions for the selected gearbox, which increase reliability and efficiency while ensuring your gearbox has the perfect dimensions e.g. through downsizing. This saves on costs and reduces the installation space in the machine.



+ cymex® 5 offers comprehensive documentation

Following the geometry comparison, cymex®5 creates calculation documentation and generates data sheets for gearbox and motor on request. Furthermore, the 2D and 3D CAD data of selected components can be retrieved.



+ cymex® 5 enables the precise simulation of motion and load variables

The optimized software offers many options for the individual design of the drive train. These have been integrated to supplement the existing applications already in cymex®3: the crank, conveyor, center winder and feed roll.



11 languages

alpha Advanced Line – the perfect solution for demanding applications

Our SP⁺ planetary gearbox has been setting the benchmark for decades

The seed of WITTENSTEIN alpha was planted more than 35 years ago and many generations of SP⁺ planetary gearboxes have consistently set new standards among planetary gearboxes ever since. Our engineers are determined to make each new generation of gearboxes even better and more powerful than the one before. As a result, we manufacture superior products which are ideal for the demanding applications of our customers.

The latest alpha Advanced Line – even more powerful

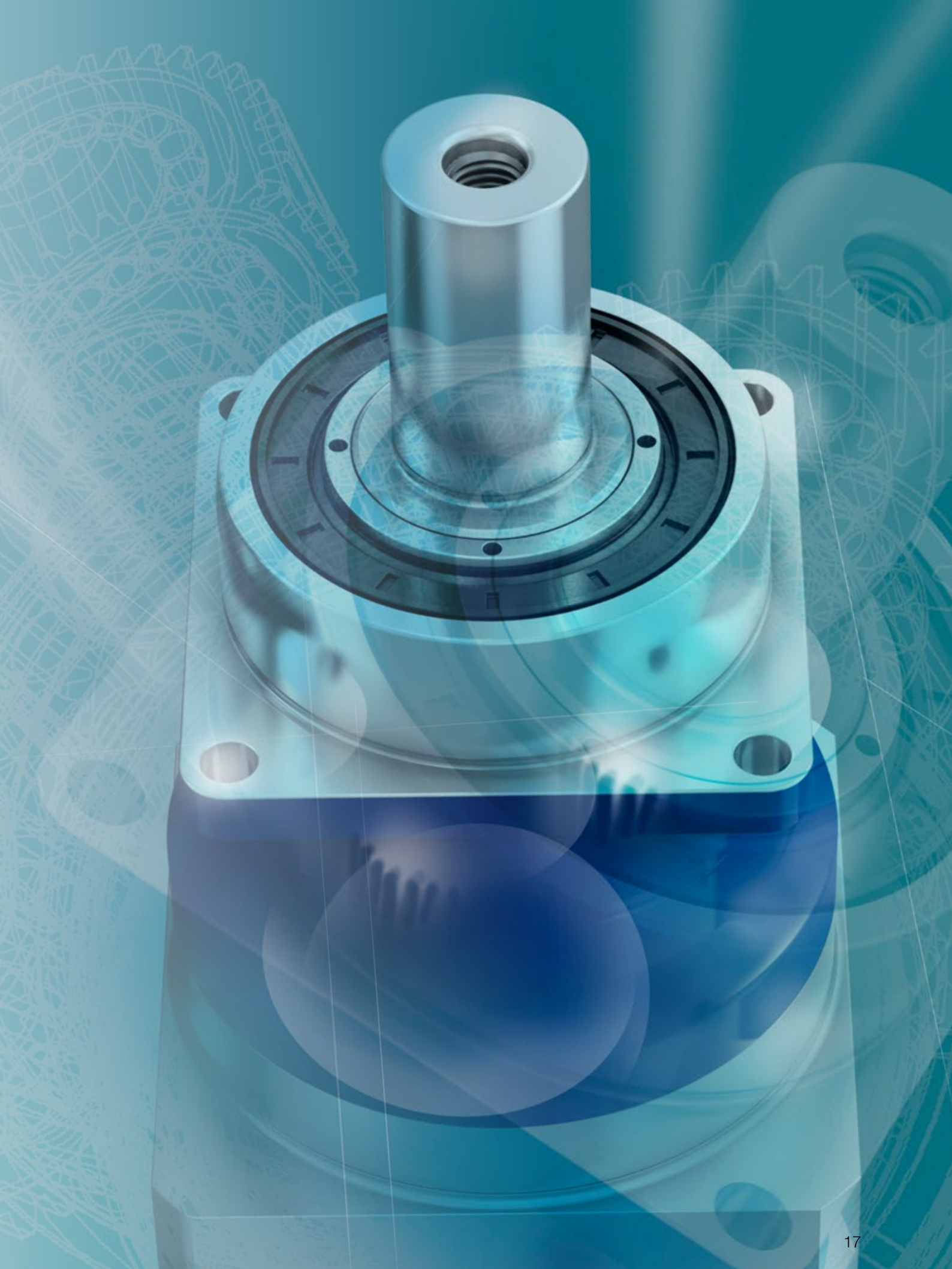
Our SP⁺ and TP⁺ bestsellers have been further developed to significantly increase the power density. This optimization has increased speed and torque values considerably while simultaneously reducing running noise. Lower no-load running torques reduce occurring losses. This significantly increases the overall energy efficiency. The HIGH SPEED and HIGH TORQUE variants achieve even greater performance dimensions and higher speeds. At the same time the extremely compact design provides significant space savings, which is especially important in small installation spaces.

Suitable for all requirements

Whether planetary, hypoid, bevel or worm gears, the alpha Advanced Line always offers our customers a suitable solution for their specific applications, regardless of the required performance range. With more than 30 product variants in the alpha Advanced Line alone, applications can be fully equipped with our gearboxes, even in combination with compatible linear systems. The high-precision all-rounders of the alpha Advanced Line operate with an impressive accuracy range of 1 - 5 arcmin and can be used in any application.

Your benefits at a glance

- **Maximum power density**
- **Maximum speeds, torques and positioning accuracies**
- **Low operating noise**
- **Wide variety of variants and systems**
- **Extensive experience and outstanding safety**



alpha Advanced Line – Product overview

Planetary gearboxes

This series is characterized by outstanding power density resulting from an extremely compact design. The HIGH SPEED and HIGH TORQUE variants achieve even greater torsional rigidity values and performance dimensions with regard to speed and torque.



SP+ / SP+ HIGH SPEED



TP+



TP+ HIGH TORQUE

Hypoid gearboxes

Maximum performance in restricted mounting situations. Our hypoid gearboxes are characterized by an extremely high power density with a wide variety of variants. This strong combination can meet virtually any application requirements.



HG+



SK+



SPK+



TK+



TPK+



TPK+ HIGH TORQUE

Bevel gearboxes

High performances at low gear ratios is the main strength of this series, which can be installed in the smallest of spaces. Additionally a high efficiency of 97 % ensures efficient operation.



SC+



SPC+



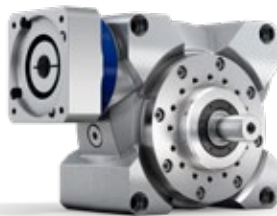
TPC+

Worm gearboxes

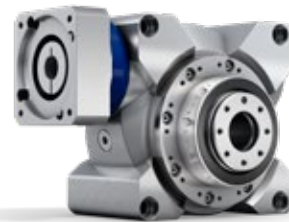
In addition to an extremely high power density, our powerful V-Drive Advanced series is characterized by a consistently low backlash throughout the product life cycle. Flexible output shapes allow the gearbox to be used in a wide range of applications. The servo worm gears are suitable both for cyclic operation and applications in continuous operation.



VH+



VS+



VT+

Application-specific solutions

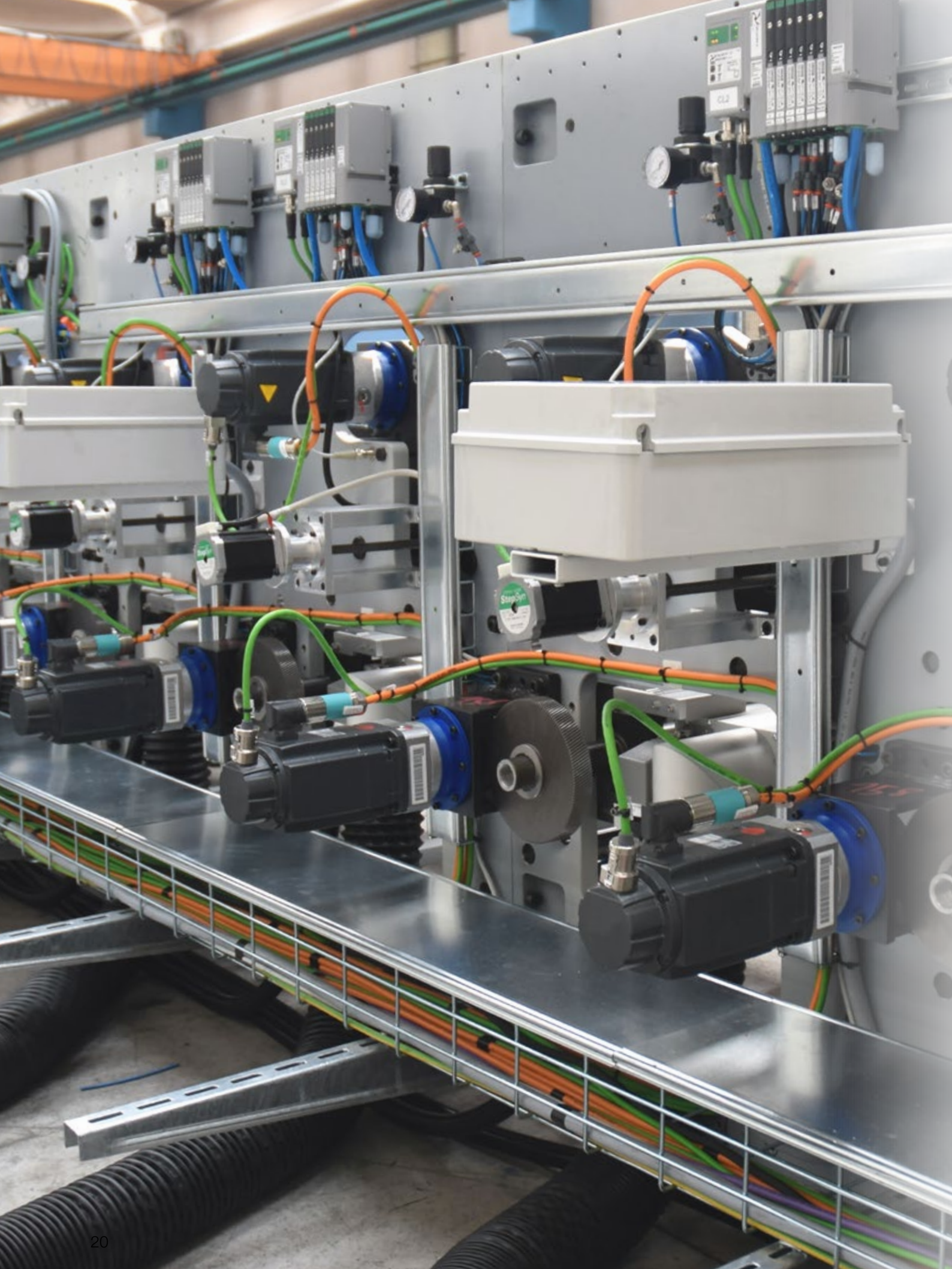
Special requirements need special solutions. Whether in highly dynamic Delta robotics applications or the food industry with a focus on hygienic design. We offer optimal solutions for your specific applications.



DP+



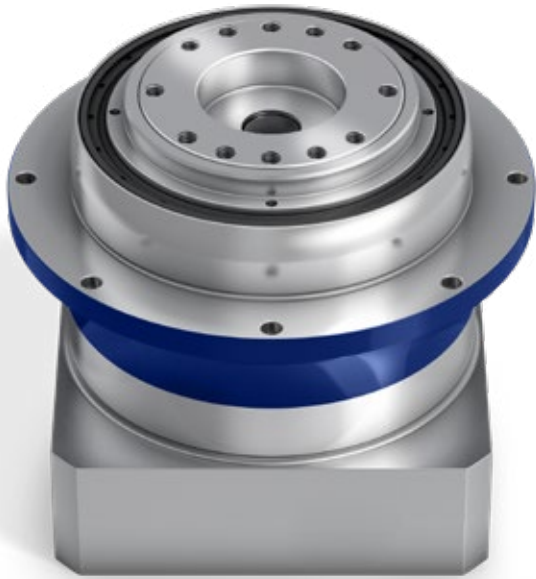
HDP+



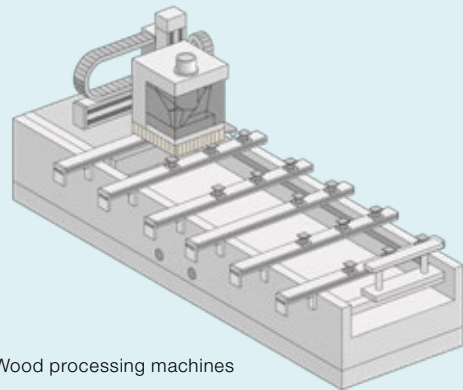
alpha Advanced Line in action

TP+ / TP+ HIGH TORQUE – Compact precision

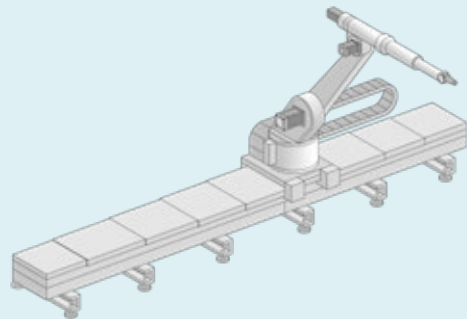
Maximum precision, perfect true-running accuracy and high speeds are essential requirements for flexographic printing presses. The TP+ and TP+ HIGH TORQUE planetary gearboxes of WITTENSTEIN alpha incorporate all of these characteristics, resulting in a uniquely high printing quality and increased machine output.



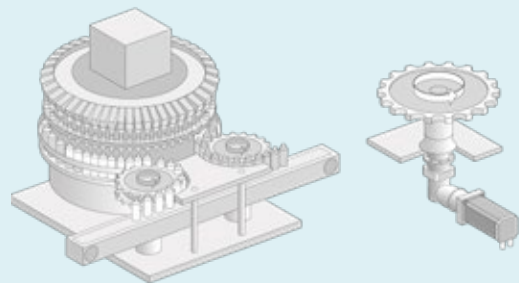
Advanced Line products can also be used in machines that generate rotary movements under extreme loads such as wood working machinery, 7th axis applications or in bottling plants.



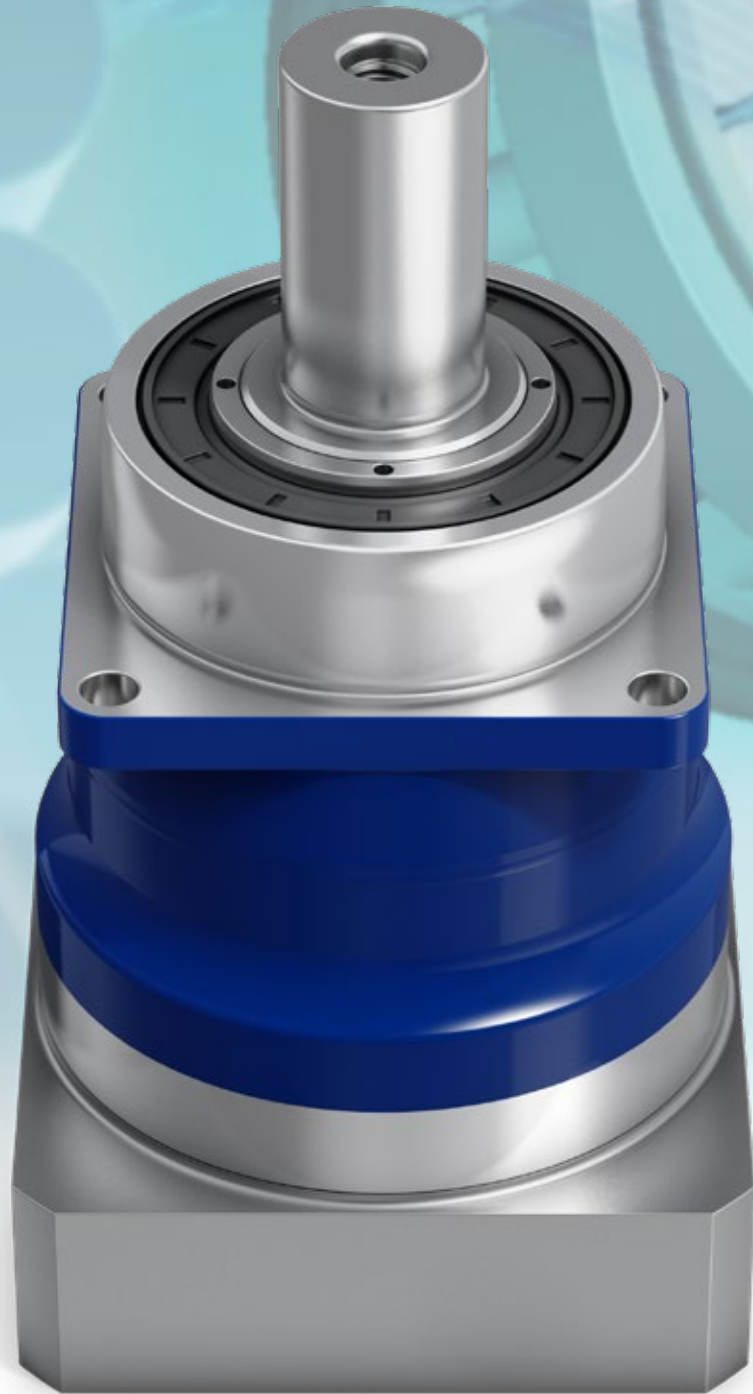
Wood processing machines



7th axis



Bottling plant





SP⁺ and TP⁺ planetary gearboxes
When maximum power density
is vital.

SP+ / SP+ HIGH SPEED – The classic all-rounder



SP+

The standard version of these low-backlash planetary gearboxes with output shaft is ideally suited for high positioning accuracy and highly dynamic cyclic operation. The SP+ HIGH SPEED is particularly appropriate for applications with maximum speeds during continuous operation.

Product highlights

Max. torsional backlash [arcmin] $\leq 1 - 6$

Various output configurations

Smooth shaft, shaft with key, splined shaft (DIN 5480), blind hollow shaft

High nominal speeds

SP+ HIGH SPEED version for applications in continuous operation

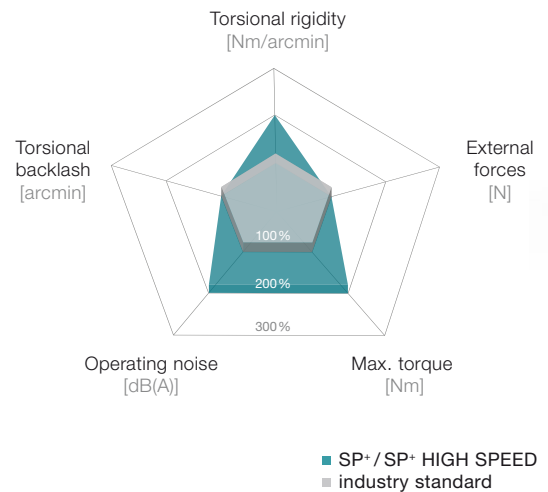
Flexible drive options

Clamping hub socket, coupling, optimized mass inertia, keyed clamping hub socket

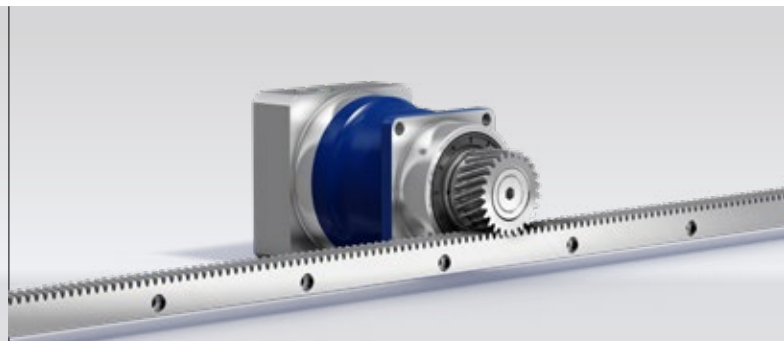
Other gearbox models

Corrosion resistant design, ATEX, food-grade lubrication, low friction version

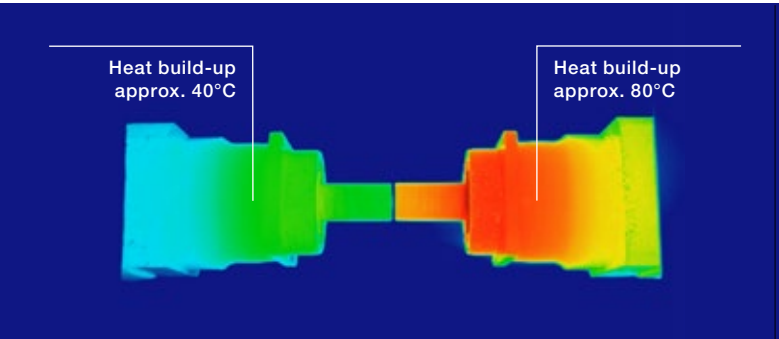
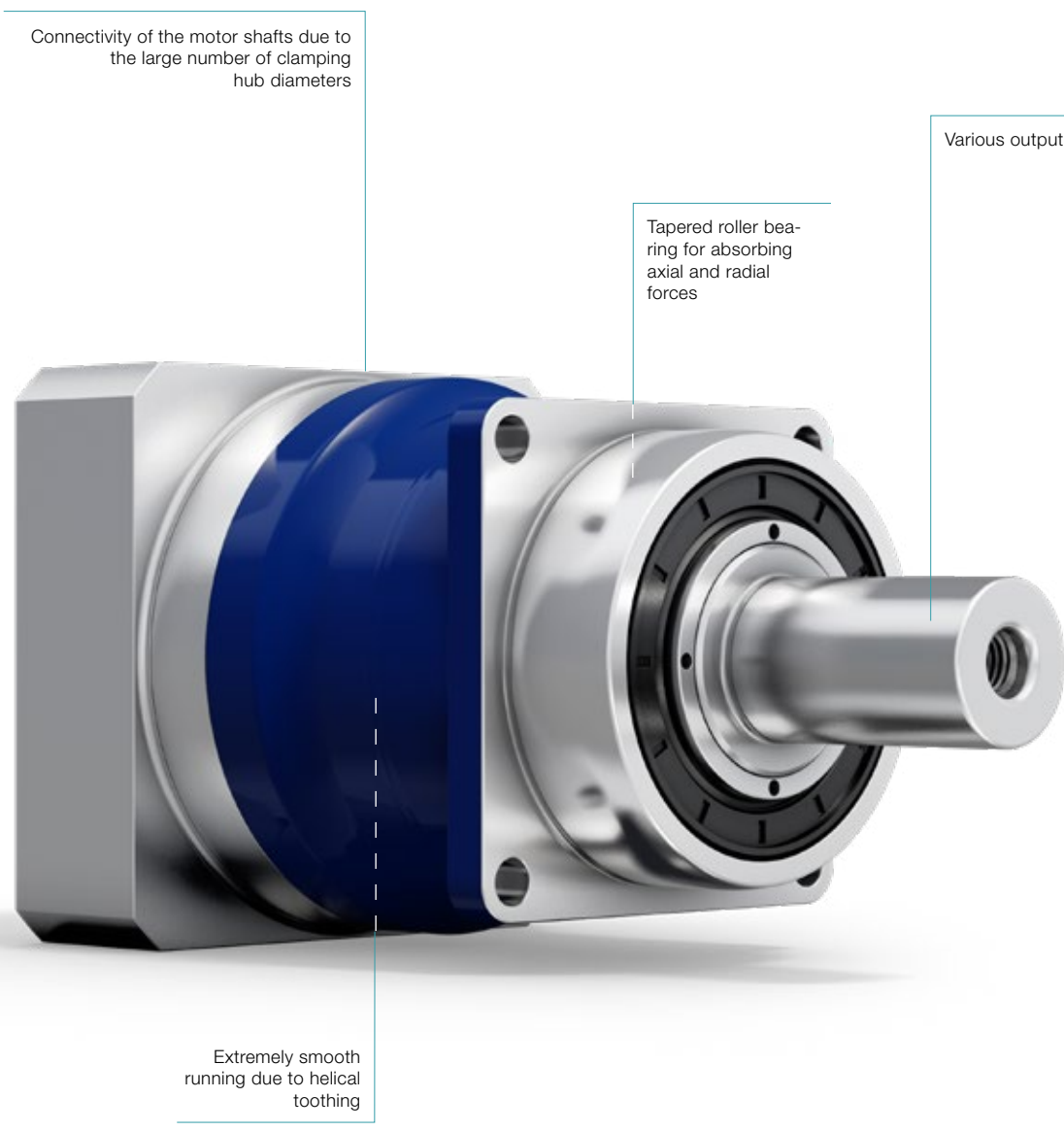
The SP+ compared to the industry standard



SP+ planetary gearbox in corrosion resistant design



SP+ with rack and pinion



SP* HIGH SPEED MC version

Industry standard



SP* with metal bellows coupling

SP+ 060 MF 1-stage

			1-stage							
Ratio	<i>i</i>		3	4	5	7	8	10		
Max. torque ^{a) b) e)}	T_{2a}	Nm	48	67	67	67	51	51		
		in.lb	425	595	595	595	453	453		
Max. acceleration torque ^{b) e)} (max. 1000 cycles per hour)	T_{2B}	Nm	36	50	50	50	38	38		
		in.lb	319	443	443	443	336	336		
Nominal torque (at n_n)	T_{2N}	Nm	21	27	27	26	26	27		
		in.lb	190	239	236	226	230	237		
Emergency stop torque ^{a) b) e)} (permitted 1000 times during the service life of the gearbox)	T_{2Not}	Nm	96	109	109	109	100	100		
		in.lb	850	965	965	965	885	885		
Permitted average input speed (at T_{2a} and 20 °C ambient temperature) ^{d)}	n_{1N}	rpm	3300	3300	3300	4000	4000	4000		
Max. input speed	n_{1Max}	rpm	7500	7500	7500	7500	7500	7500		
Mean no load running torque ^{b)} (at $n_i = 3000$ rpm and 20 °C gearbox temperature)	T_{012}	Nm	0.68	0.52	0.48	0.34	0.32	0.32		
		in.lb	6.0	4.6	4.2	3.0	2.8	2.8		
Max. backlash	j_t	arcmin	Standard ≤ 4 / Reduced ≤ 2							
Torsional rigidity ^{b)}	C_{121}	Nm/arcmin	3.5							
		in.lb/arcmin	31							
Max. axial force ^{c)}	F_{2AMax}	N	2400							
		lb _f	540							
Max. lateral force ^{c)}	F_{2QMax}	N	2800							
		lb _f	630							
Max. tilting moment	M_{2KMax}	Nm	152							
		in.lb	1345							
Efficiency at full load	η	%	97							
Service life	L_h	h	> 20000							
Weight (incl. standard adapter plate)	m	kg	1.9							
		lb _m	4.2							
Operating noise (at reference ratio and reference speed – ratio-specific values available in cymex [®])	L_{pA}	dB(A)	≤ 58							
Max. permitted housing temperature		°C	+90							
		F	194							
Ambient temperature		°C	-15 to +40							
		F	5 to 104							
Lubrication			Lubricated for life							
Direction of rotation			In- and output same direction							
Protection class			IP 65							
Metal bellows coupling (recommended product type – validate sizing with cymex [®])			BC2-00060AA016.000-X							
Bore diameter of coupling on the application side		mm	X = 012.000 - 035.000							
Mass moment of inertia (relates to the drive) Clamping hub diameter [mm] Optimized mass inertia version available on request	B	11	J_i	kgcm ²	0.21	0.15	0.12	0.10	0.10	0.09
				10 ⁻³ in.lb.s ²	0.19	0.13	0.11	0.09	0.09	0.08
	C	14	J_i	kgcm ²	0.28	0.22	0.20	0.18	0.16	0.16
				10 ⁻³ in.lb.s ²	0.25	0.19	0.18	0.16	0.14	0.14
	E	19	J_i	kgcm ²	0.61	0.55	0.52	0.50	0.49	0.49
				10 ⁻³ in.lb.s ²	0.54	0.49	0.46	0.44	0.43	0.43

Please use our sizing software cymex[®] for a detailed sizing – www.wittenstein-cymex.com

^{a)} At max. 10 % F_{2QMax}

^{b)} Valid for standard clamping hub diameter

^{c)} Refers to center of the output shaft or flange

^{d)} Please reduce input speed at higher ambient temperatures

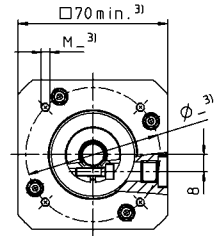
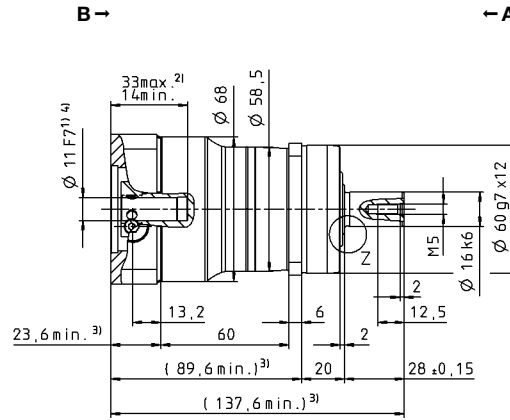
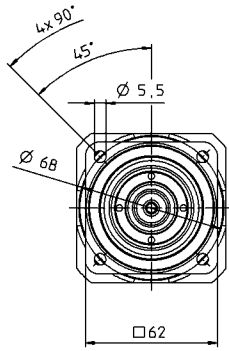
^{e)} Smooth shaft

View A

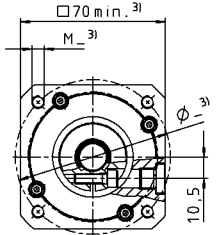
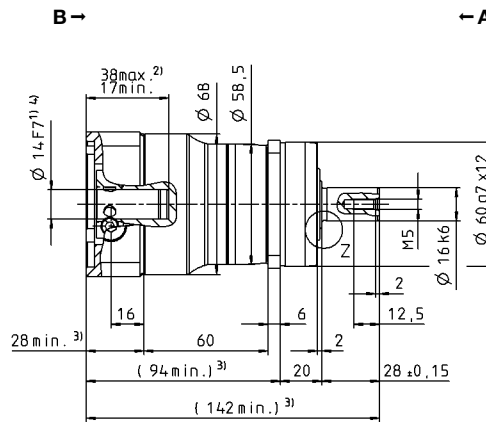
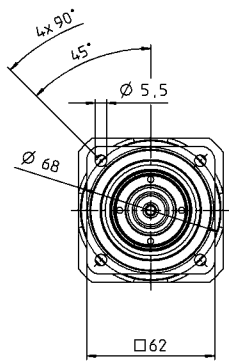
View B

1-stage

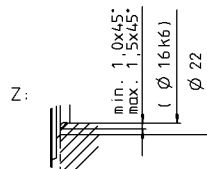
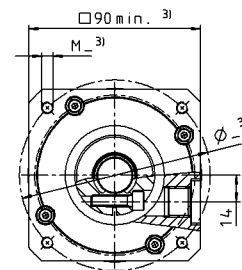
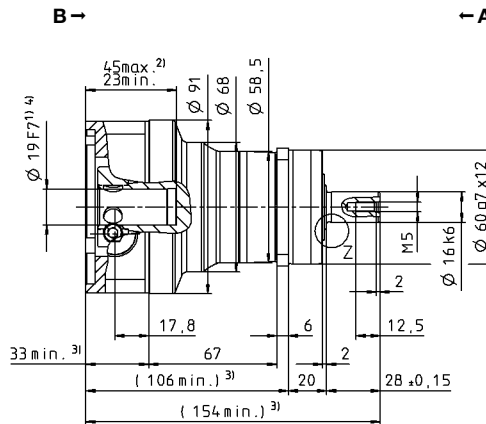
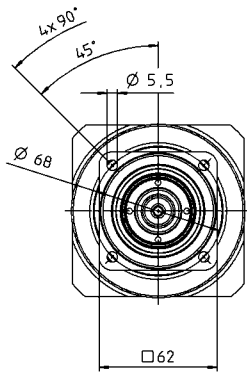
up to 11⁴⁾ (B)
clamping hub diameter



up to 14⁴⁾ (C)⁵⁾
clamping hub diameter

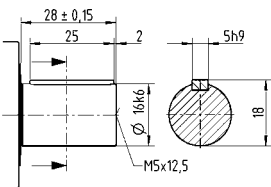


up to 19⁴⁾ (E)
clamping hub diameter

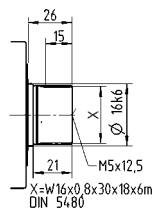


Other output variants

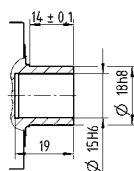
Shaft with key



Splined shaft (DIN 5480)



Shaft mounted



Non-tolerated dimensions are nominal dimensions

¹⁾ Check motor shaft fit

²⁾ Min./Max. permissible motor shaft length. Longer motor shafts are possible, please contact alpha.

³⁾ The dimensions depend on the motor

⁴⁾ Smaller motor shaft diameter is compensated by a bushing with a minimum thickness of 1 mm

⁵⁾ Standard clamping hub diameter

SP+ 060 MF 2-stage

			2-stage												
Ratio	<i>i</i>		16	20	25	28	32	35	40	50	64	70	100		
Max. torque ^{a) b) e)}	T_{2a}	Nm	57	57	67	57	57	67	57	67	48	56	48		
		in.lb	507	507	595	507	507	595	507	595	423	499	423		
Max. acceleration torque ^{b) e)} (max. 1000 cycles per hour)	T_{2B}	Nm	50	50	50	50	50	50	50	50	38	50	38		
		in.lb	443	443	443	443	443	443	443	443	336	443	336		
Nominal torque (at n_n)	T_{2N}	Nm	38	40	40	40	38	40	40	40	31	40	31		
		in.lb	332	354	351	357	333	357	357	357	270	357	272		
Emergency stop torque ^{a) b) e)} (permitted 1000 times during the service life of the gearbox)	T_{2Not}	Nm	109	109	109	109	109	109	109	109	109	109	100		
		in.lb	965	965	965	965	965	965	965	965	965	965	885		
Permitted average input speed (at T_{2a} and 20 °C ambient temperature) ^{d)}	n_{1N}	rpm	4400	4400	4400	4400	4400	4400	4400	4800	4800	5500	5500		
Max. input speed	n_{1Max}	rpm	8500	8500	8500	8500	8500	8500	8500	8500	8500	8500	8500		
Mean no load running torque ^{b)} (at $n_1 = 3000$ rpm and 20 °C gearbox temperature)	T_{012}	Nm	0.28	0.25	0.23	0.22	0.24	0.20	0.20	0.19	0.19	0.17	0.18		
		in.lb	2.5	2.2	2.0	1.9	2.1	1.8	1.8	1.7	1.7	1.5	1.6		
Max. backlash	j_t	arcmin	Standard ≤ 6 / Reduced ≤ 4												
Torsional rigidity ^{b)}	C_{121}	Nm/arcmin	3.5												
		in.lb/arcmin	31												
Max. axial force ^{c)}	F_{2AMax}	N	2400												
		lb _f	540												
Max. lateral force ^{c)}	F_{2QMax}	N	2800												
		lb _f	630												
Max. tilting moment	M_{2KMax}	Nm	152												
		in.lb	1345												
Efficiency at full load	η	%	94												
Service life	L_h	h	> 20000												
Weight (incl. standard adapter plate)	m	kg	2.0												
		lb _m	4.4												
Operating noise (at reference ratio and reference speed – ratio-specific values available in cymex [®])	L_{pA}	dB(A)	≤ 57												
Max. permitted housing temperature		°C	+90												
		F	194												
Ambient temperature		°C	-15 to +40												
		F	5 to 104												
Lubrication			Lubricated for life												
Direction of rotation			In- and output same direction												
Protection class			IP 65												
Metal bellows coupling (recommended product type – validate sizing with cymex [®])			BC2-00060AA016.000-X												
Bore diameter of coupling on the application side		mm	X = 012.000 - 035.000												
Mass moment of inertia (relates to the drive)	B	11	J_1	kgcm ²	0.077	0.069	0.068	0.061	0.061	0.061	0.057	0.057	0.056	0.056	0.056
				10 ⁻³ in.lb.s ²	0.068	0.061	0.060	0.054	0.054	0.054	0.050	0.050	0.050	0.050	0.050
Clamping hub diameter [mm] Optimized mass inertia version available on request	C	14	J_1	kgcm ²	0.17	0.16	0.16	0.16	0.16	0.16	0.15	0.15	0.15	0.15	0.15
				10 ⁻³ in.lb.s ²	0.15	0.14	0.14	0.14	0.14	0.14	0.13	0.13	0.13	0.13	0.13

Please use our sizing software cymex[®] for a detailed sizing – www.wittenstein-cymex.com

^{a)} At max. 10 % F_{2QMax}

^{b)} Valid for standard clamping hub diameter

^{c)} Refers to center of the output shaft or flange

^{d)} Please reduce input speed at higher ambient temperatures

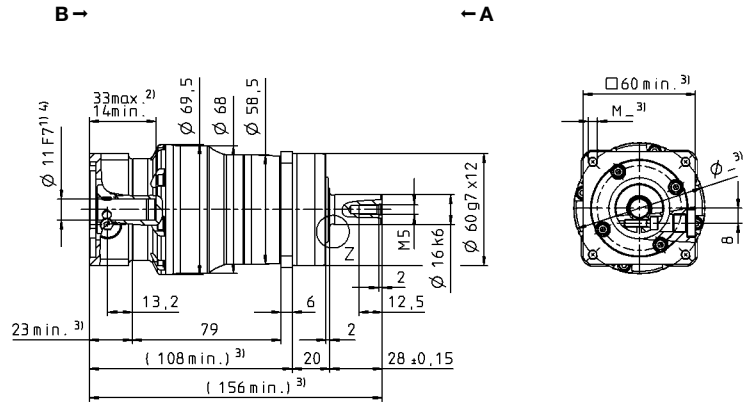
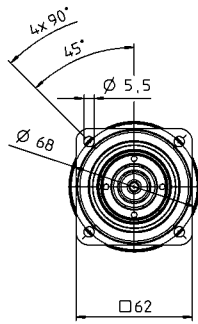
^{e)} Smooth shaft

View A

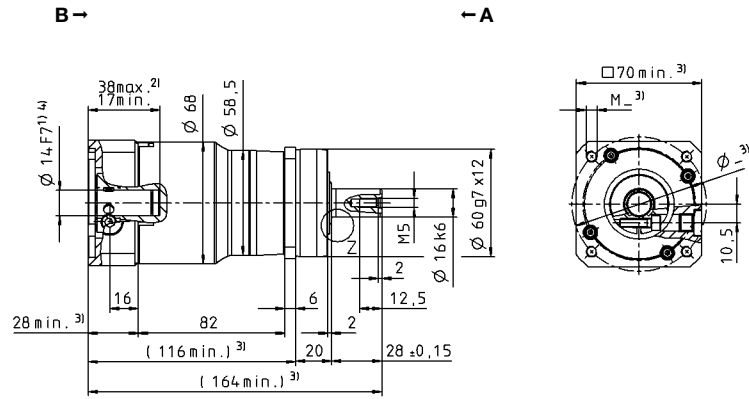
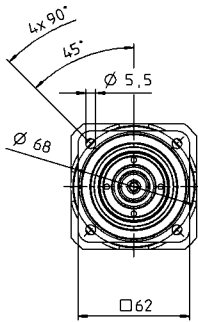
View B

2-stage

up to 11⁴⁾ (B)⁵⁾
clamping hub
diameter



up to 14⁴⁾ (C)
clamping hub
diameter



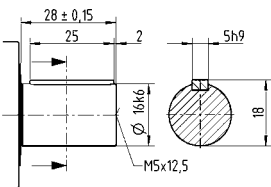
Motor shaft diameter [mm]

Planetary gearboxes

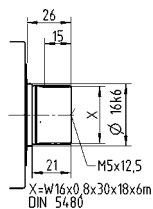
SP+
MF

Other output variants

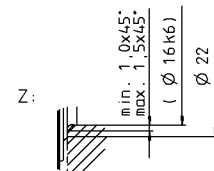
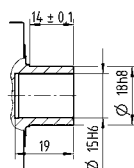
Shaft with key



Splined shaft (DIN 5480)



Shaft mounted



Non-tolerated dimensions are nominal dimensions

¹⁾ Check motor shaft fit

²⁾ Min./Max. permissible motor shaft length. Longer motor shafts are possible, please contact alpha.

³⁾ The dimensions depend on the motor

⁴⁾ Smaller motor shaft diameter is compensated by a bushing with a minimum thickness of 1 mm

⁵⁾ Standard clamping hub diameter

SP+ 075 MF 1-stage

			1-stage							
Ratio	<i>i</i>		3	4	5	7	8	10		
Max. torque ^{a) b) e)}	T_{2a}	Nm	136	176	176	176	152	152		
		in.lb	1204	1558	1558	1558	1345	1345		
Max. acceleration torque ^{b) e)} (max. 1000 cycles per hour)	T_{2B}	Nm	102	132	132	132	114	114		
		in.lb	903	1168	1168	1168	1009	1009		
Nominal torque (at n_n)	T_{2N}	Nm	63	81	81	81	80	81		
		in.lb	558	719	716	719	712	720		
Emergency stop torque ^{a) b) e)} (permitted 1000 times during the service life of the gearbox)	T_{2Not}	Nm	139	185	250	250	250	250		
		in.lb	1230	1640	2213	2213	2213	2213		
Permitted average input speed (at T_{2a} and 20 °C ambient temperature) ^{d)}	n_{1N}	rpm	2900	2900	2900	3100	3100	3100		
Max. input speed	n_{1Max}	rpm	7500	7500	7500	7500	7500	7500		
Mean no load running torque ^{b)} (at $n_i = 3000$ rpm and 20 °C gearbox temperature)	T_{012}	Nm	1.5	1.4	0.96	0.72	0.55	0.52		
		in.lb	14	12	8.5	6.4	4.9	4.6		
Max. backlash	j_t	arcmin	Standard ≤ 4 / Reduced ≤ 2							
Torsional rigidity ^{b)}	C_{121}	Nm/arcmin	10							
		in.lb/arcmin	89							
Max. axial force ^{c)}	F_{2AMax}	N	3350							
		lb _f	754							
Max. lateral force ^{c)}	F_{2QMax}	N	4200							
		lb _f	945							
Max. tilting moment	M_{2KMax}	Nm	236							
		in.lb	2089							
Efficiency at full load	η	%	97							
Service life	L_h	h	> 20000							
Weight (incl. standard adapter plate)	m	kg	3.9							
		lb _m	8.6							
Operating noise (at reference ratio and reference speed – ratio-specific values available in cymex [®])	L_{pA}	dB(A)	≤ 59							
Max. permitted housing temperature		°C	+90							
		F	194							
Ambient temperature		°C	-15 to +40							
		F	5 to 104							
Lubrication			Lubricated for life							
Direction of rotation			In- and output same direction							
Protection class			IP 65							
Metal bellows coupling (recommended product type – validate sizing with cymex [®])			BC2-00150AA022.000-X							
Bore diameter of coupling on the application side		mm	X = 019.000 - 042.000							
Mass moment of inertia (relates to the drive) Clamping hub diameter [mm] Optimized mass inertia version available on request	C	14	J_i	kgcm ²	0.86	0.61	0.51	0.42	0.38	0.38
				10 ⁻³ in.lb.s ²	0.76	0.54	0.45	0.37	0.34	0.34
	E	19	J_i	kgcm ²	1.03	0.78	0.68	0.59	0.54	0.54
				10 ⁻³ in.lb.s ²	0.91	0.69	0.60	0.52	0.48	0.48
	G	24	J_i	kgcm ²	2.40	2.15	2.05	1.96	1.91	1.91
				10 ⁻³ in.lb.s ²	2.12	1.90	1.81	1.73	1.69	1.69

Please use our sizing software cymex[®] for a detailed sizing – www.wittenstein-cymex.com

^{a)} At max. 10 % F_{2QMax}

^{b)} Valid for standard clamping hub diameter

^{c)} Refers to center of the output shaft or flange

^{d)} Please reduce input speed at higher ambient temperatures

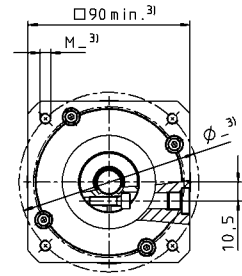
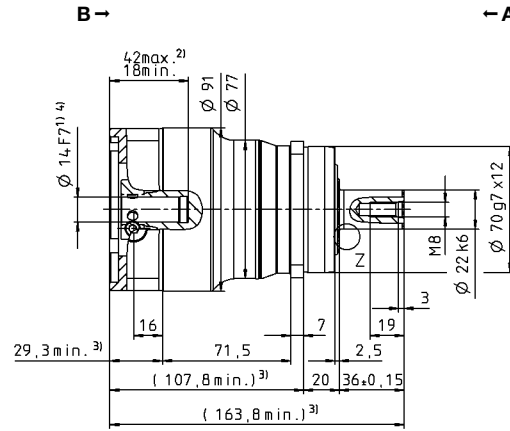
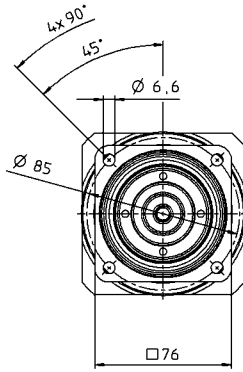
^{e)} Smooth shaft

View A

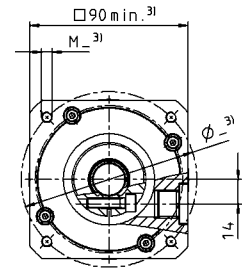
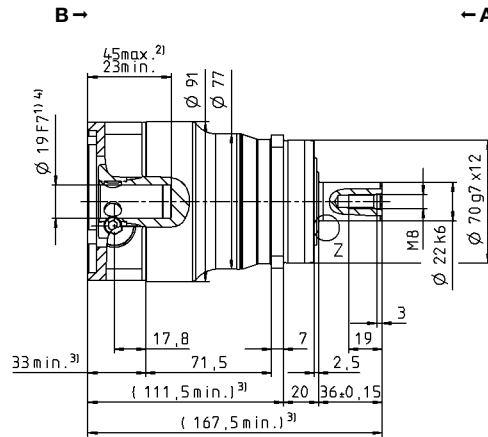
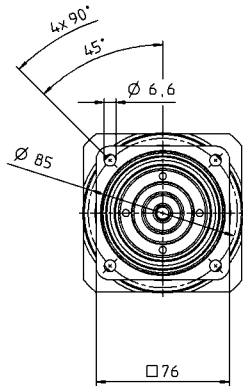
View B

1-stage

up to 14⁴⁾ (C)
clamping hub diameter

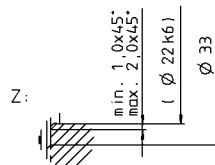
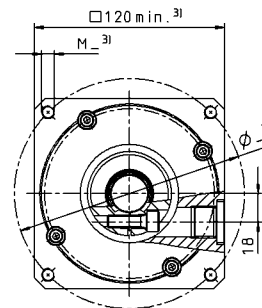
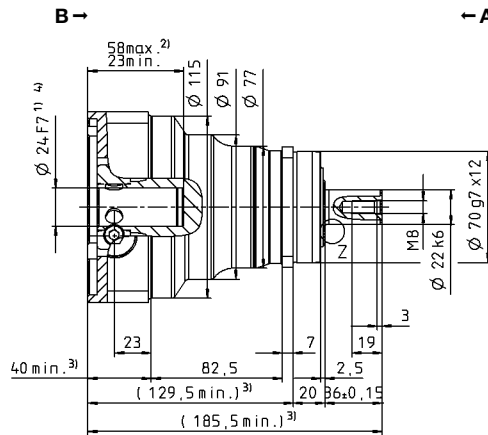
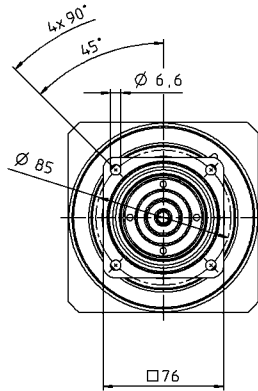


up to 19⁴⁾ (E)⁵⁾
clamping hub diameter



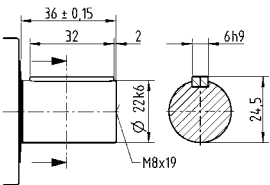
Motor shaft diameter [mm]

up to 24⁴⁾ (G)
clamping hub diameter

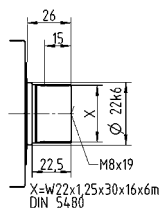


Other output variants

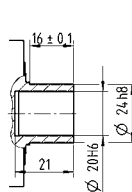
Shaft with key



Spined shaft (DIN 5480)



Shaft mounted



Non-tolerated dimensions are nominal dimensions

¹⁾ Check motor shaft fit

²⁾ Min./Max. permissible motor shaft length. Longer motor shafts are possible, please contact alpha.

³⁾ The dimensions depend on the motor

⁴⁾ Smaller motor shaft diameter is compensated by a bushing with a minimum thickness of 1 mm

⁵⁾ Standard clamping hub diameter

SP+ 075 MF 2-stage

			2-stage											
Ratio	<i>i</i>		16	20	25	28	32	35	40	50	64	70	100	
Max. torque ^{a) b) e)}	T_{2a}	Nm	126	126	158	126	126	158	126	158	105	113	105	
		in.lb	1118	1118	1398	1118	1118	1398	1118	1398	932	998	932	
Max. acceleration torque ^{b) e)} (max. 1000 cycles per hour)	T_{2B}	Nm	126	126	132	126	126	132	126	132	105	113	105	
		in.lb	1118	1118	1168	1118	1118	1168	1118	1168	932	998	932	
Nominal torque (at n_n)	T_{2N}	Nm	101	101	106	101	101	106	101	106	84	90	84	
		in.lb	895	895	935	895	895	935	895	935	746	799	746	
Emergency stop torque ^{a) b) e)} (permitted 1000 times during the service life of the gearbox)	T_{2Not}	Nm	250	250	250	250	250	250	250	250	250	250	250	
		in.lb	2213	2213	2213	2213	2213	2213	2213	2213	2213	2213	2213	
Permitted average input speed (at T_{2a} and 20 °C ambient temperature) ^{d)}	n_{1N}	rpm	3500	3500	3500	3500	3500	3500	3500	3800	3800	4500	4500	
Max. input speed	n_{1Max}	rpm	8500	8500	8500	8500	8500	8500	8500	8500	8500	8500	8500	
Mean no load running torque ^{b)} (at $n_i = 3000$ rpm and 20 °C gearbox temperature)	T_{012}	Nm	0.50	0.41	0.35	0.32	0.44	0.28	0.26	0.23	0.23	0.21	0.23	
		in.lb	4.4	3.6	3.1	2.8	3.9	2.5	2.3	2.0	2.0	1.9	2.0	
Max. backlash	j_t	arcmin	Standard ≤ 6 / Reduced ≤ 4											
Torsional rigidity ^{b)}	C_{121}	Nm/arcmin	10											
		in.lb/arcmin	89											
Max. axial force ^{c)}	F_{2AMax}	N	3350											
		lb _f	754											
Max. lateral force ^{c)}	F_{2QMax}	N	4200											
		lb _f	945											
Max. tilting moment	M_{2KMax}	Nm	236											
		in.lb	2089											
Efficiency at full load	η	%	94											
Service life	L_h	h	> 20000											
Weight (incl. standard adapter plate)	m	kg	3.6											
		lb _m	8.0											
Operating noise (at reference ratio and reference speed – ratio-specific values available in cymex [®])	L_{pA}	dB(A)	≤ 55											
Max. permitted housing temperature		°C	+90											
		F	194											
Ambient temperature		°C	-15 to +40											
		F	5 to 104											
Lubrication			Lubricated for life											
Direction of rotation			In- and output same direction											
Protection class			IP 65											
Metal bellows coupling (recommended product type – validate sizing with cymex [®])			BC2-00150AA022.000-X											
Bore diameter of coupling on the application side		mm	X = 019.000 - 042.000											
Mass moment of inertia (relates to the drive) Clamping hub diameter [mm] Optimized mass inertia version available on request	B	11	J_i	kgcm ²	0.16	0.13	0.13	0.10	0.10	0.10	0.09	0.09	0.09	0.09
				10 ⁻³ in.lb.s ²	0.14	0.12	0.12	0.09	0.09	0.09	0.08	0.08	0.08	0.08
	C	14	J_i	kgcm ²	0.23	0.20	0.20	0.18	0.18	0.18	0.16	0.16	0.16	0.16
				10 ⁻³ in.lb.s ²	0.20	0.18	0.18	0.16	0.16	0.16	0.14	0.14	0.14	0.14
	E	19	J_i	kgcm ²	0.55	0.53	0.52	0.50	0.50	0.50	0.49	0.49	0.49	0.49
				10 ⁻³ in.lb.s ²	0.49	0.47	0.46	0.44	0.44	0.44	0.43	0.43	0.43	0.43

Please use our sizing software cymex[®] for a detailed sizing – www.wittenstein-cymex.com

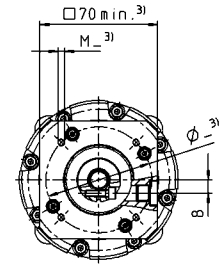
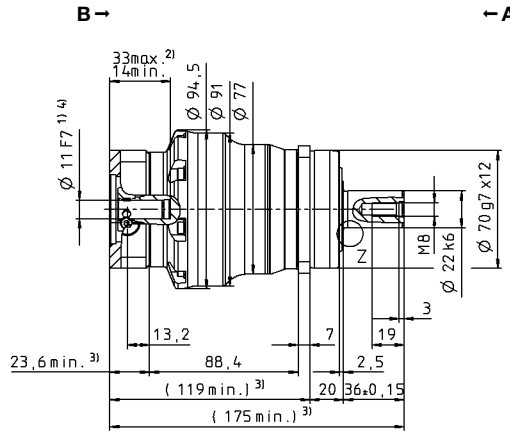
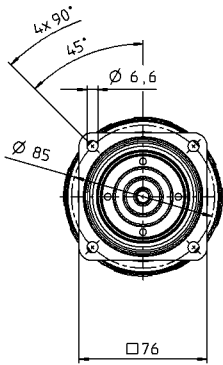
- ^{a)} At max. 10 % F_{2QMax}
- ^{b)} Valid for standard clamping hub diameter
- ^{c)} Refers to center of the output shaft or flange
- ^{d)} Please reduce input speed at higher ambient temperatures
- ^{e)} Smooth shaft

View A

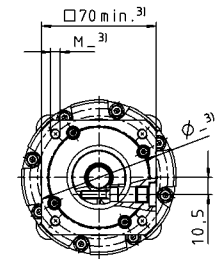
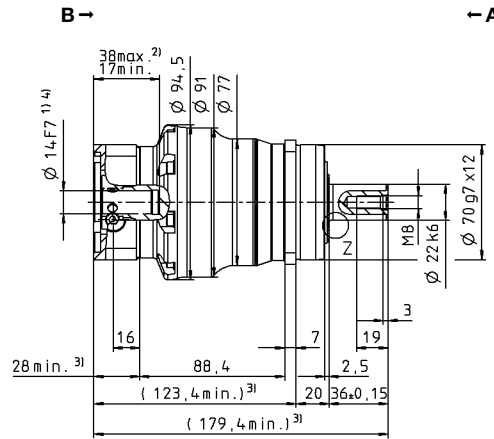
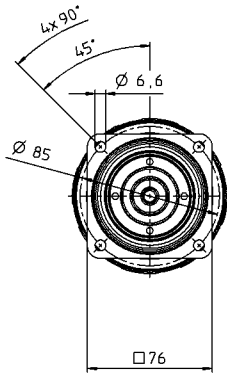
View B

2-stage

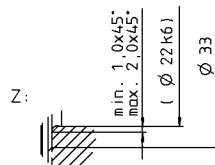
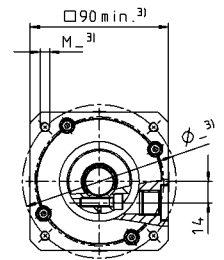
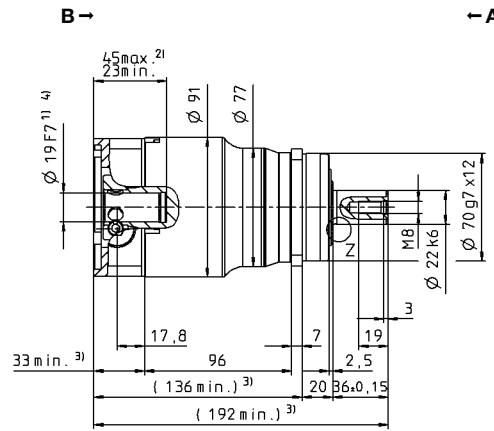
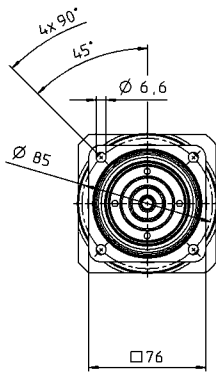
up to 11⁴⁾ (B)
clamping hub diameter



up to 14⁴⁾ (C)⁵⁾
clamping hub diameter

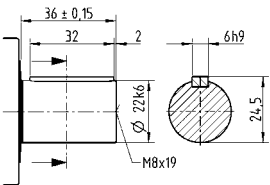


up to 19⁴⁾ (E)
clamping hub diameter

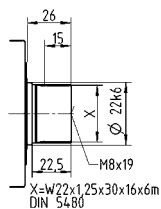


Other output variants

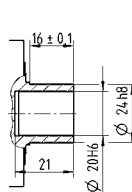
Shaft with key



Spined shaft (DIN 5480)



Shaft mounted



Non-tolerated dimensions are nominal dimensions

¹⁾ Check motor shaft fit

²⁾ Min./Max. permissible motor shaft length. Longer motor shafts are possible, please contact alpha.

³⁾ The dimensions depend on the motor

⁴⁾ Smaller motor shaft diameter is compensated by a bushing with a minimum thickness of 1 mm

⁵⁾ Standard clamping hub diameter

SP+ 100 MF 1-stage

			1-stage							
Ratio	<i>i</i>		3	4	5	7	8	10		
Max. torque ^{a) b) e)}	T_{2a}	Nm	376	495	495	428	376	376		
		in.lb	3328	4381	4381	3784	3328	3328		
Max. acceleration torque ^{b) e)} (max. 1000 cycles per hour)	T_{2B}	Nm	282	378	378	378	282	282		
		in.lb	2496	3346	3346	3346	2496	2496		
Nominal torque (at n_n)	T_{2N}	Nm	131	171	169	166	166	174		
		in.lb	1157	1510	1498	1473	1470	1538		
Emergency stop torque ^{a) b) e)} (permitted 1000 times during the service life of the gearbox)	T_{2Not}	Nm	500	625	625	625	625	625		
		in.lb	4425	5532	5532	5532	5532	5532		
Permitted average input speed (at T_{2a} and 20 °C ambient temperature) ^{d)}	n_{1N}	rpm	2500	2500	2500	2800	2800	2800		
Max. input speed	n_{1Max}	rpm	5500	5500	5500	5500	5500	5500		
Mean no load running torque ^{b)} (at $n_i = 3000$ rpm and 20 °C gearbox temperature)	T_{012}	Nm	3.1	2.4	2.1	1.3	1.0	1.0		
		in.lb	28	21	18	12	9.2	9.2		
Max. backlash	j_t	arcmin	Standard ≤ 3 / Reduced ≤ 1							
Torsional rigidity ^{b)}	C_{121}	Nm/arcmin	31							
		in.lb/arcmin	274							
Max. axial force ^{c)}	F_{2AMax}	N	5650							
		lb _f	1271							
Max. lateral force ^{c)}	F_{2QMax}	N	6600							
		lb _f	1485							
Max. tilting moment	M_{2KMax}	Nm	487							
		in.lb	4310							
Efficiency at full load	η	%	97							
Service life	L_h	h	> 20000							
Weight (incl. standard adapter plate)	m	kg	7.7							
		lb _m	17							
Operating noise (at reference ratio and reference speed – ratio-specific values available in cymex [®])	L_{pA}	dB(A)	≤ 58							
			+90							
Max. permitted housing temperature		°C	+90							
		F	194							
Ambient temperature		°C	-15 to +40							
		F	5 to 104							
Lubrication			Lubricated for life							
Direction of rotation			In- and output same direction							
Protection class			IP 65							
Metal bellows coupling (recommended product type – validate sizing with cymex [®])			BC2-00300AA032.000-X							
		Bore diameter of coupling on the application side	mm	X = 024.000 - 060.000						
Mass moment of inertia (relates to the drive) Clamping hub diameter [mm] Optimized mass inertia version available on request	E	19	J_i	kgcm ²	3.29	2.35	1.92	1.60	1.38	1.38
				10 ⁻³ in.lb.s ²	2.91	2.08	1.70	1.42	1.22	1.22
	G	24	J_i	kgcm ²	3.99	3.04	2.61	2.29	2.07	2.07
				10 ⁻³ in.lb.s ²	3.53	2.69	2.31	2.03	1.83	1.83
	H	28	J_i	kgcm ²	3.59	2.65	2.22	1.90	1.68	1.68
				10 ⁻³ in.lb.s ²	3.18	2.35	1.96	1.68	1.49	1.49
	K	38	J_i	kgcm ²	11.1	10.1	9.68	9.36	9.14	9.14
				10 ⁻³ in.lb.s ²	9.82	8.94	8.57	8.28	8.09	8.09

Please use our sizing software cymex[®] for a detailed sizing – www.wittenstein-cymex.com

^{a)} At max. 10 % F_{2QMax}

^{b)} Valid for standard clamping hub diameter

^{c)} Refers to center of the output shaft or flange

^{d)} Please reduce input speed at higher ambient temperatures

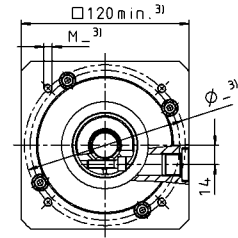
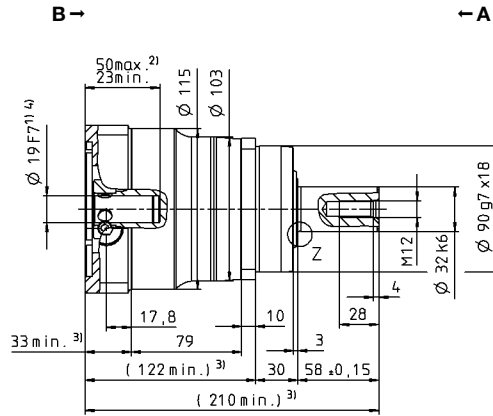
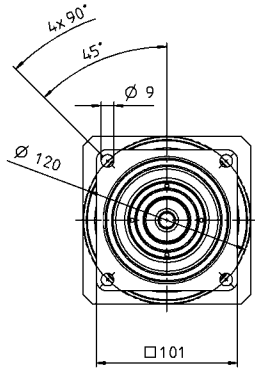
^{e)} Smooth shaft

View A

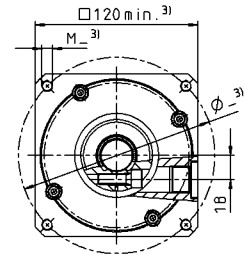
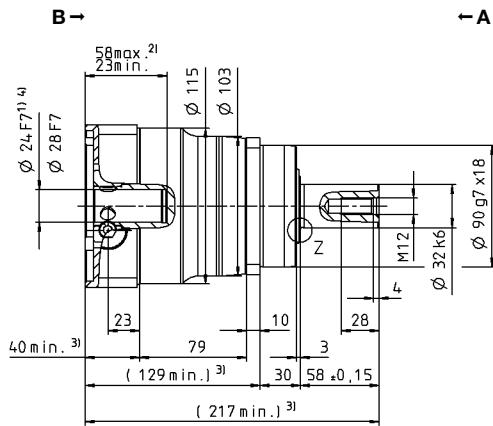
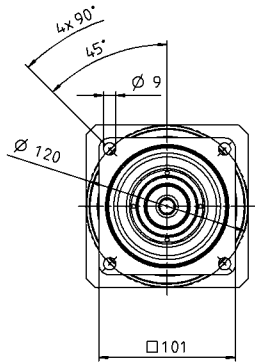
View B

1-stage

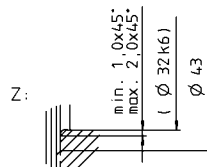
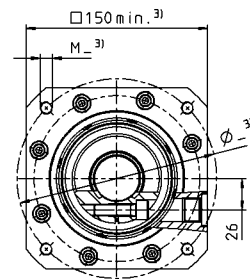
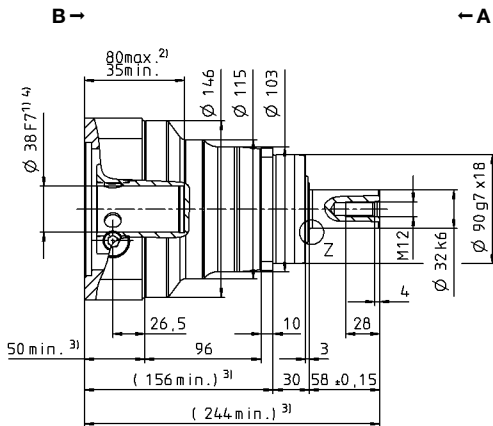
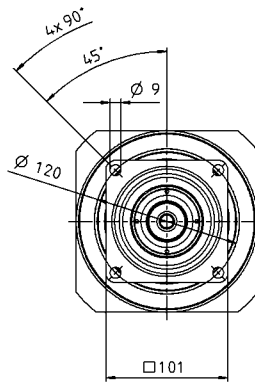
up to 19⁴⁾ (E) clamping hub diameter



up to 24/28⁴⁾ (G⁵⁾/H) clamping hub diameter



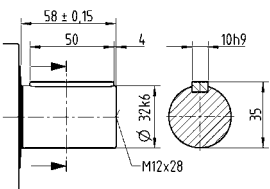
up to 38⁴⁾ (K) clamping hub diameter



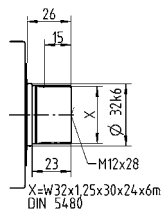
Motor shaft diameter [mm]

Other output variants

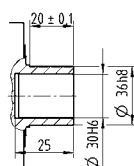
Shaft with key



Spined shaft (DIN 5480)



Shaft mounted



Non-tolerated dimensions are nominal dimensions

¹⁾ Check motor shaft fit

²⁾ Min./Max. permissible motor shaft length. Longer motor shafts are possible, please contact alpha.

³⁾ The dimensions depend on the motor

⁴⁾ Smaller motor shaft diameter is compensated by a bushing with a minimum thickness of 1 mm

⁵⁾ Standard clamping hub diameter

SP+ 100 MF 2-stage

			2-stage												
Ratio	<i>i</i>		16	20	25	28	32	35	40	50	64	70	100		
Max. torque ^{a) b) e)}	T_{2a}	Nm	347	347	347	347	347	347	347	347	259	347	259		
		in.lb	3067	3067	3067	3067	3067	3067	3067	3067	3067	2288	3067	2288	
Max. acceleration torque ^{b) e)} (max. 1000 cycles per hour)	T_{2B}	Nm	347	347	347	347	347	347	347	347	259	347	259		
		in.lb	3067	3067	3067	3067	3067	3067	3067	3067	3067	2288	3067	2288	
Nominal torque (at n_{1N})	T_{2N}	Nm	243	259	257	277	243	277	277	277	207	277	207		
		in.lb	2146	2295	2277	2453	2153	2453	2453	2453	1830	2453	1830		
Emergency stop torque ^{a) b) e)} (permitted 1000 times during the service life of the gearbox)	T_{2Not}	Nm	625	625	625	625	625	625	625	625	625	625	625		
		in.lb	5532	5532	5532	5532	5532	5532	5532	5532	5532	5532	5532		
Permitted average input speed (at T_{2a} and 20 °C ambient temperature) ^{d)}	n_{1N}	rpm	3100	3100	3100	3100	3100	3100	3100	3500	3500	4200	4200		
Max. input speed	n_{1Max}	rpm	6500	6500	6500	6500	6500	6500	6500	6500	6500	6500	6500		
Mean no load running torque ^{b)} (at $n_1 = 3000$ rpm and 20 °C gearbox temperature)	T_{012}	Nm	1.0	0.93	0.85	0.77	0.86	0.54	0.54	0.46	0.46	0.39	0.37		
		in.lb	9.2	8.2	7.5	6.8	7.6	4.8	4.8	4.1	4.1	3.5	3.3		
Max. backlash	j_t	arcmin	Standard ≤ 5 / Reduced ≤ 3												
Torsional rigidity ^{b)}	C_{121}	Nm/arcmin	31												
		in.lb/arcmin	274												
Max. axial force ^{c)}	F_{2AMax}	N	5650												
		lb _f	1271												
Max. lateral force ^{c)}	F_{2QMax}	N	6600												
		lb _f	1485												
Max. tilting moment	M_{2KMax}	Nm	487												
		in.lb	4310												
Efficiency at full load	η	%	94												
Service life	L_h	h	> 20000												
Weight (incl. standard adapter plate)	m	kg	7.9												
		lb _m	17.5												
Operating noise (at reference ratio and reference speed – ratio-specific values available in cymex [®])	L_{pA}	dB(A)	≤ 56												
Max. permitted housing temperature		°C	+90												
		F	194												
Ambient temperature		°C	-15 to +40												
		F	5 to 104												
Lubrication			Lubricated for life												
Direction of rotation			In- and output same direction												
Protection class			IP 65												
Metal bellows coupling (recommended product type – validate sizing with cymex [®])			BC2-00300AA032.000-X												
Bore diameter of coupling on the application side		mm	X = 024.000 - 060.000												
Mass moment of inertia (relates to the drive) Clamping hub diameter [mm] Optimized mass inertia version available on request	C	14	J_1	kgcm ²	0.64	0.54	0.52	0.43	0.43	0.43	0.38	0.38	0.54	0.37	0.37
				10 ⁻³ in.lb.s ²	0.57	0.48	0.46	0.38	0.38	0.38	0.34	0.34	0.48	0.33	0.33
	E	19	J_1	kgcm ²	0.81	0.70	0.68	0.60	0.43	0.59	0.55	0.54	0.38	0.54	0.54
				10 ⁻³ in.lb.s ²	0.72	0.62	0.60	0.53	0.38	0.52	0.49	0.48	0.34	0.48	0.48
	G	24	J_1	kgcm ²	2.18	2.07	2.05	1.97	1.97	1.96	1.92	1.91	1.91	1.91	1.91
				10 ⁻³ in.lb.s ²	1.93	1.83	1.81	1.74	1.74	1.73	1.70	1.69	1.69	1.69	1.69
	H	28	J_1	kgcm ²	1.98	1.90	1.88	1.81	1.81	1.80	1.76	1.75	1.75	1.75	1.75
				10 ⁻³ in.lb.s ²	1.75	1.68	1.66	1.60	1.60	1.59	1.56	1.55	1.55	1.55	1.55

Please use our sizing software cymex[®] for a detailed sizing – www.wittenstein-cymex.com

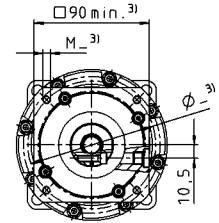
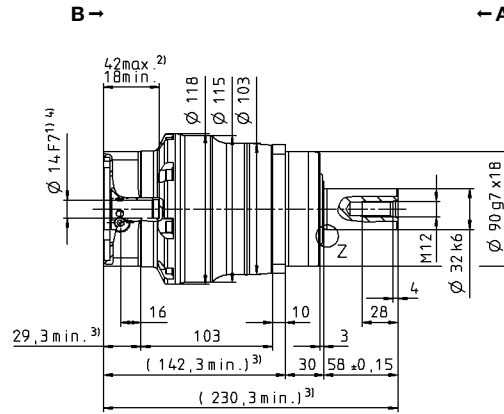
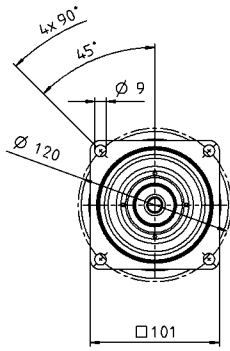
- ^{a)} At max. 10 % F_{2QMax}
- ^{b)} Valid for standard clamping hub diameter
- ^{c)} Refers to center of the output shaft or flange
- ^{d)} Please reduce input speed at higher ambient temperatures
- ^{e)} Smooth shaft

View A

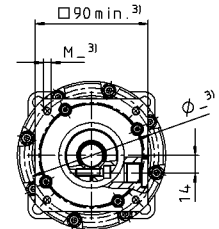
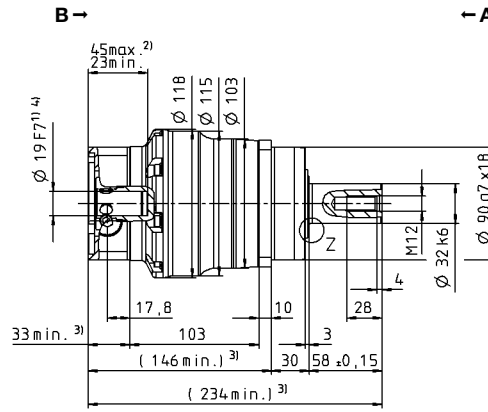
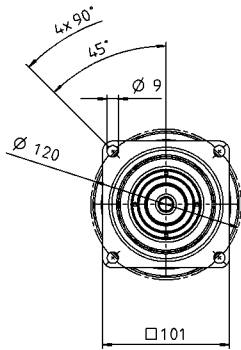
View B

2-stage

up to 14⁴⁾ (C)
clamping hub diameter

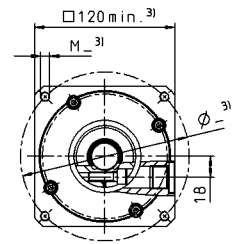
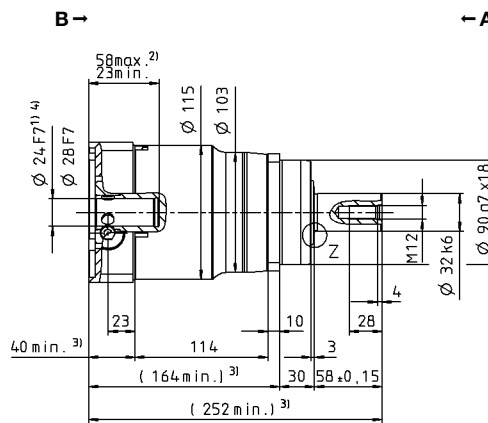
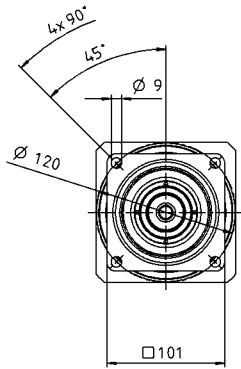


up to 19⁴⁾ (E)⁵⁾
clamping hub diameter



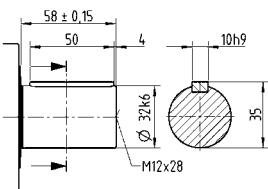
Motor shaft diameter [mm]

up to 24/28⁴⁾
(G/H) clamping hub diameter

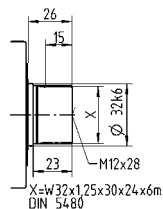


Other output variants

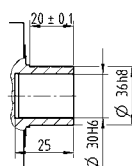
Shaft with key



Splined shaft (DIN 5480)



Shaft mounted



Non-tolerated dimensions are nominal dimensions

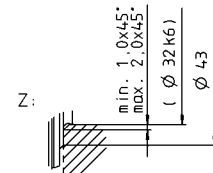
¹⁾ Check motor shaft fit

²⁾ Min./Max. permissible motor shaft length. Longer motor shafts are possible, please contact alpha.

³⁾ The dimensions depend on the motor

⁴⁾ Smaller motor shaft diameter is compensated by a bushing with a minimum thickness of 1 mm

⁵⁾ Standard clamping hub diameter



SP+ 140 MF 1-stage

			1-stage							
Ratio	<i>i</i>		3	4	5	7	8	10		
Max. torque ^{a) b) e)}	T_{2a}	Nm	624	1056	1056	825	720	720		
		in.lb	5523	9346	9346	7302	6373	6373		
Max. acceleration torque ^{b) e)} (max. 1000 cycles per hour)	T_{2B}	Nm	468	792	792	792	636	636		
		in.lb	4142	7010	7010	7010	5629	5629		
Nominal torque (at n_{1N})	T_{2N}	Nm	202	335	333	319	312	327		
		in.lb	1786	2962	2944	2820	2763	2894		
Emergency stop torque ^{a) b) e)} (permitted 1000 times during the service life of the gearbox)	T_{2Not}	Nm	1250	1350	1350	1350	1250	1250		
		in.lb	11064	11949	11949	11949	11064	11064		
Permitted average input speed (at T_{2a} and 20 °C ambient temperature) ^{d)}	n_{1N}	rpm	2100	2100	2100	2600	2600	2600		
Max. input speed	n_{1Max}	rpm	5000	5000	5000	5000	5000	5000		
Mean no load running torque ^{b)} (at $n_1 = 3000$ rpm and 20 °C gearbox temperature)	T_{012}	Nm	6.7	5.4	4.4	3.0	2.5	2.2		
		in.lb	60	47	39	27	23	19		
Max. backlash	j_t	arcmin	Standard ≤ 3 / Reduced ≤ 1							
Torsional rigidity ^{b)}	C_{121}	Nm/arcmin	53							
		in.lb/arcmin	469							
Max. axial force ^{c)}	F_{2AMax}	N	9870							
		lb _f	2221							
Max. lateral force ^{c)}	F_{2QMax}	N	9900							
		lb _f	2228							
Max. tilting moment	M_{2KMax}	Nm	952							
		in.lb	8426							
Efficiency at full load	η	%	97							
Service life	L_h	h	> 20000							
Weight (incl. standard adapter plate)	m	kg	17.2							
		lb _m	38							
Operating noise (at reference ratio and reference speed – ratio-specific values available in cymex [®])	L_{pA}	dB(A)	≤ 59							
Max. permitted housing temperature		°C	+90							
		F	194							
Ambient temperature		°C	-15 to +40							
		F	5 to 104							
Lubrication			Lubricated for life							
Direction of rotation			In- and output same direction							
Protection class			IP 65							
Metal bellows coupling (recommended product type – validate sizing with cymex [®])			BC2-00800AA040.000-X							
Bore diameter of coupling on the application side		mm	X = 040.000 - 075.000							
Mass moment of inertia (relates to the drive) Clamping hub diameter [mm] Optimized mass inertia version available on request	G	24	J_1	kgcm ²	10.7	7.82	6.79	5.84	5.28	5.28
				10 ⁻³ in.lb.s ²	9.47	6.92	6.01	5.17	4.67	4.67
	I	32	J_1	kgcm ²	13.8	11.0	9.95	9.00	8.44	8.44
				10 ⁻³ in.lb.s ²	12.2	9.74	8.81	7.97	7.47	7.47
	K	38	J_1	kgcm ²	14.9	12.1	11.0	10.1	9.51	9.51
				10 ⁻³ in.lb.s ²	13.2	10.7	9.74	8.94	8.42	8.42
	M	48	J_1	kgcm ²	29.5	26.7	25.6	24.7	24.2	24.2
				10 ⁻³ in.lb.s ²	26.1	23.6	22.7	21.9	21.4	21.4

Please use our sizing software cymex[®] for a detailed sizing – www.wittenstein-cymex.com

^{a)} At max. 10 % F_{2QMax}

^{b)} Valid for standard clamping hub diameter

^{c)} Refers to center of the output shaft or flange

^{d)} Please reduce input speed at higher ambient temperatures

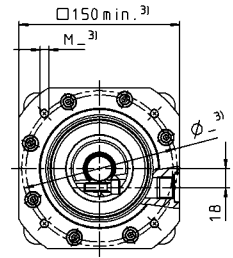
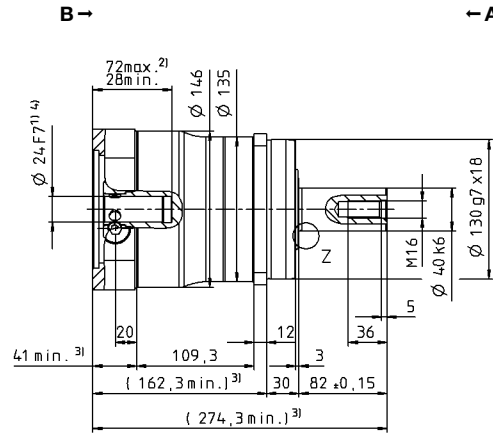
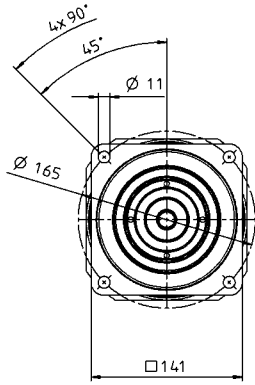
^{e)} Smooth shaft

View A

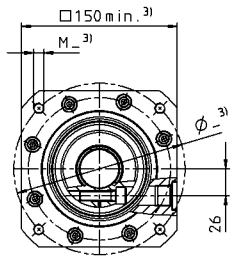
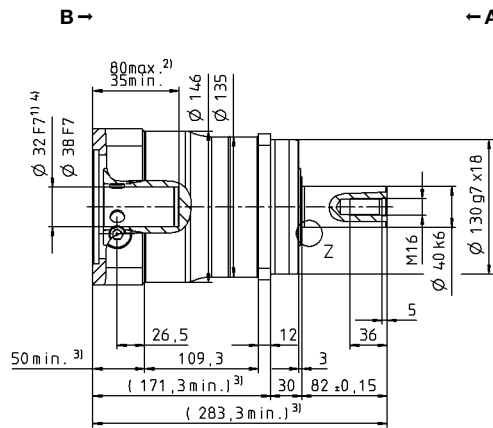
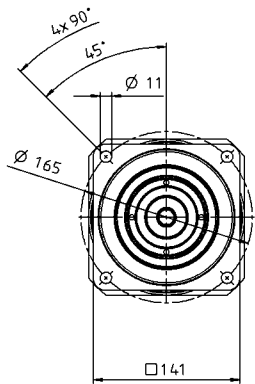
View B

1-stage

up to 24⁴⁾ (G)
clamping hub diameter

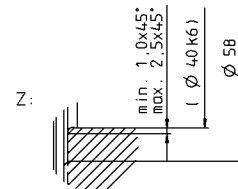
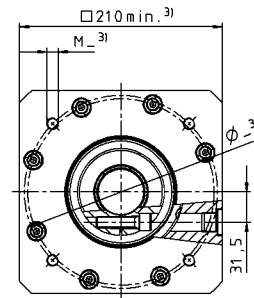
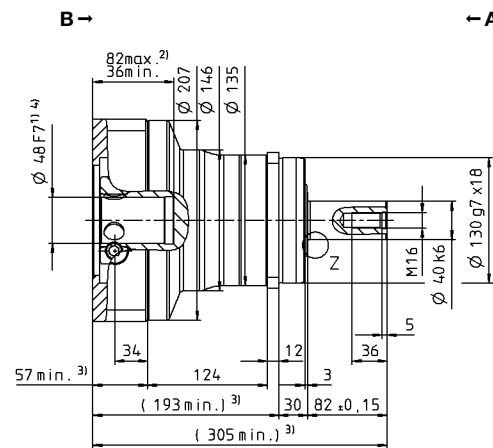
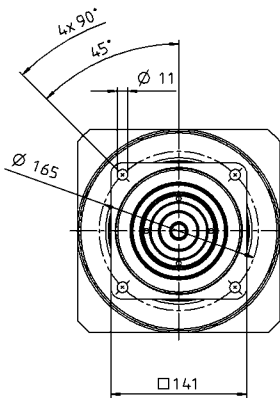


up to 32/38⁴⁾
(I/K⁵⁾) clamping
hub diameter



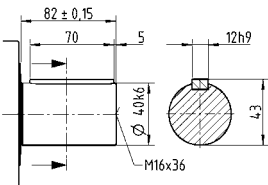
Motor shaft diameter [mm]

up to 48⁴⁾ (M)
clamping hub diameter

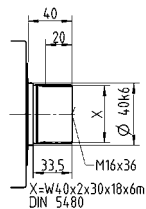


Other output variants

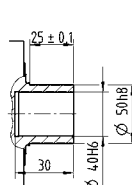
Shaft with key



Splined shaft (DIN 5480)



Shaft mounted



Non-tolerated dimensions are nominal dimensions

¹⁾ Check motor shaft fit

²⁾ Min./Max. permissible motor shaft length. Longer motor shafts are possible, please contact alpha.

³⁾ The dimensions depend on the motor

⁴⁾ Smaller motor shaft diameter is compensated by a bushing with a minimum thickness of 1 mm

⁵⁾ Standard clamping hub diameter

SP+ 140 MF 2-stage

			2-stage												
Ratio	i		16	20	25	28	32	35	40	50	64	70	100		
Max. torque ^{a) b) e)}	T_{2a}	Nm	726	726	670	726	726	670	726	670	583	726	583		
		in.lb	6426	6426	5934	6426	6426	5934	6426	5934	5160	6426	5160		
Max. acceleration torque ^{b) e)} (max. 1000 cycles per hour)	T_{2B}	Nm	726	726	670	726	726	670	726	670	583	726	583		
		in.lb	6426	6426	5934	6426	6426	5934	6426	5930	5164	6426	5160		
Nominal torque (at n_n)	T_{2N}	Nm	461	493	489	545	464	536	581	536	466	581	466		
		in.lb	4078	4361	4332	4824	4104	4747	5141	4747	4128	5141	4128		
Emergency stop torque ^{a) b) e)} (permitted 1000 times during the service life of the gearbox)	T_{2Not}	Nm	1350	1350	1350	1350	1350	1350	1350	1350	1350	1350	1250		
		in.lb	11949	11949	11949	11949	11949	11949	11949	11949	11949	11949	11064		
Permitted average input speed (at T_{2a} and 20 °C ambient temperature) ^{d)}	n_{1N}	rpm	2900	2900	2900	2900	2900	2900	2900	3200	3200	3200	3900		
Max. input speed	n_{1Max}	rpm	6000	6000	6000	6000	6000	6000	6000	6000	6000	6000	6000		
Mean no load running torque ^{b)} (at $n_i = 3000$ rpm and 20 °C gearbox temperature)	T_{012}	Nm	2.4	2.1	2.0	1.8	1.6	1.2	1.2	1.1	1.1	0.88	0.80		
		in.lb	21	19	17	16	14	11	11	9.4	9.4	7.8	7.1		
Max. backlash	j_t	arcmin	Standard ≤ 5 / Reduced ≤ 3												
Torsional rigidity ^{b)}	C_{121}	Nm/arcmin	53												
		in.lb/arcmin	469												
Max. axial force ^{c)}	F_{2AMax}	N	9870												
		lb _f	2221												
Max. lateral force ^{c)}	F_{2QMax}	N	9900												
		lb _f	2228												
Max. tilting moment	M_{2KMax}	Nm	952												
		in.lb	8426												
Efficiency at full load	η	%	94												
Service life	L_h	h	> 20000												
Weight (incl. standard adapter plate)	m	kg	17												
		lb _m	37.6												
Operating noise (at reference ratio and reference speed – ratio-specific values available in cymex [®])	L_{pA}	dB(A)	≤ 59												
Max. permitted housing temperature		°C	+90												
		F	194												
Ambient temperature		°C	-15 to +40												
		F	5 to 104												
Lubrication			Lubricated for life												
Direction of rotation			In- and output same direction												
Protection class			IP 65												
Metal bellows coupling (recommended product type – validate sizing with cymex [®])			BC2-00800AA040.000-X												
Bore diameter of coupling on the application side		mm	X = 040.000 - 075.000												
Mass moment of inertia (relates to the drive) Clamping hub diameter [mm] Optimized mass inertia version available on request	E	19	J_i	kgcm ²	2.50	2.01	1.97	1.65	1.65	1.63	1.40	1.39	1.39	1.38	1.38
				10 ⁻³ in.lb.s ²	2.21	1.78	1.74	1.46	1.46	1.44	1.24	1.23	1.23	1.22	1.22
	G	24	J_i	kgcm ²	3.19	2.71	2.67	2.34	2.34	2.32	2.10	2.08	2.08	2.08	2.07
				10 ⁻³ in.lb.s ²	2.82	2.40	2.36	2.07	2.07	2.05	1.86	1.84	1.84	1.84	1.83
	K	38	J_i	kgcm ²	10.3	9.77	9.73	9.41	9.41	9.39	9.16	9.15	9.15	9.14	9.14
				10 ⁻³ in.lb.s ²	9.07	8.65	8.61	8.33	8.33	8.31	8.11	8.10	8.10	8.09	8.09

Please use our sizing software cymex[®] for a detailed sizing – www.wittenstein-cymex.com

^{a)} At max. 10 % F_{2QMax}

^{b)} Valid for standard clamping hub diameter

^{c)} Refers to center of the output shaft or flange

^{d)} Please reduce input speed at higher ambient temperatures

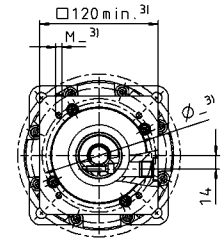
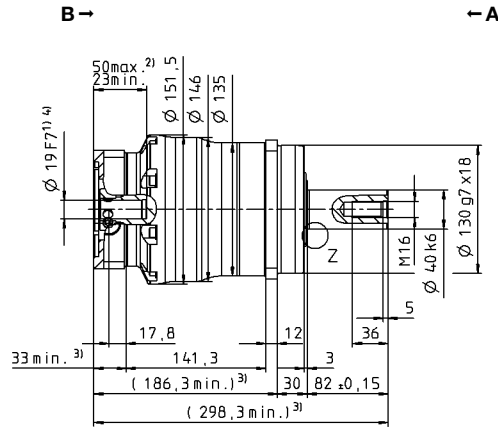
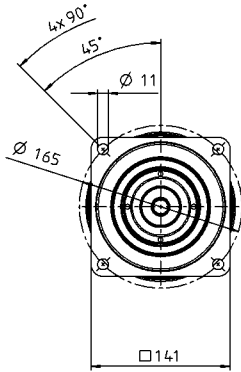
^{e)} Smooth shaft

View A

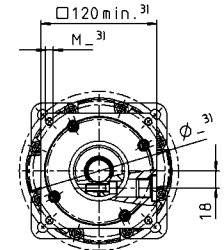
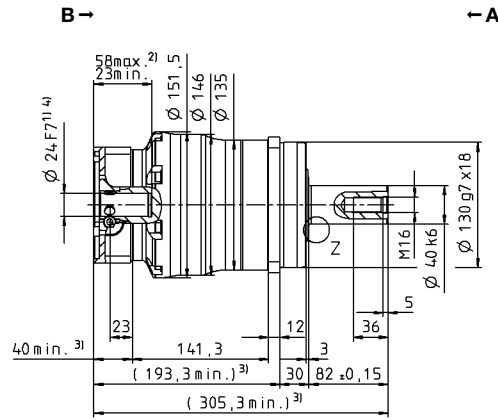
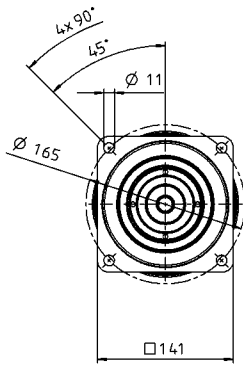
View B

2-stage

up to 19⁴⁾ (E)
clamping hub diameter

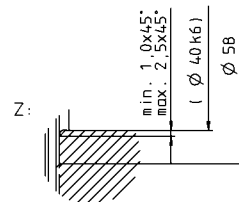
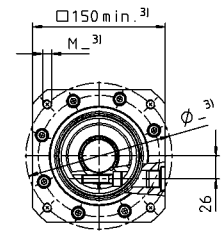
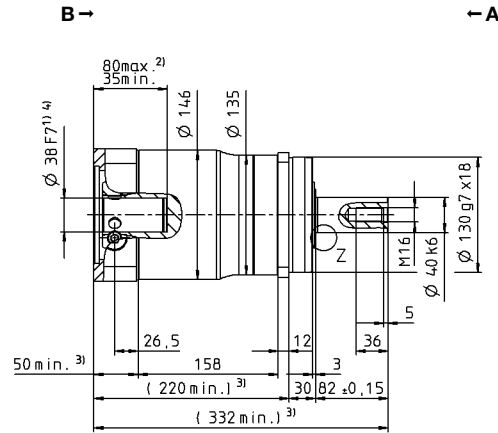
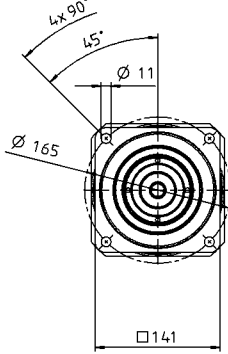


up to 24⁴⁾ (G)⁵⁾
clamping hub diameter



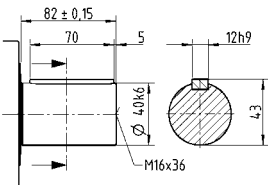
Motor shaft diameter [mm]

up to 38⁴⁾ (K)
clamping hub diameter

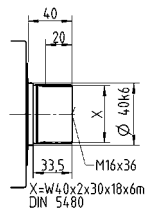


Other output variants

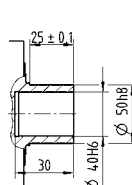
Shaft with key



Splined shaft (DIN 5480)



Shaft mounted



Non-tolerated dimensions are nominal dimensions

¹⁾ Check motor shaft fit

²⁾ Min./Max. permissible motor shaft length. Longer motor shafts are possible, please contact alpha.

³⁾ The dimensions depend on the motor

⁴⁾ Smaller motor shaft diameter is compensated by a bushing with a minimum thickness of 1 mm

⁵⁾ Standard clamping hub diameter

SP+ 180 MF 1-stage

			1-stage							
Ratio	<i>i</i>		3	4	5	7	8	10		
Max. torque ^{a) b) e)}	T_{2a}	Nm	1552	1936	1936	1936	1552	1552		
		in.lb	13736	17135	17135	17135	13736	13736		
Max. acceleration torque ^{b) e)} (max. 1000 cycles per hour)	T_{2B}	Nm	1164	1452	1452	1452	1164	1164		
		in.lb	10302	12851	12851	12851	10302	10302		
Nominal torque (at n_n)	T_{2N}	Nm	513	927	919	825	825	864		
		in.lb	4544	8203	8134	7305	7305	7644		
Emergency stop torque ^{a) b) e)} (permitted 1000 times during the service life of the gearbox)	T_{2Not}	Nm	2750	2750	2750	2750	2750	2750		
		in.lb	24340	24340	24340	24340	24340	24340		
Permitted average input speed (at T_{2a} and 20 °C ambient temperature) ^{d)}	n_{1N}	rpm	1500	1500	1500	2300	2300	2300		
Max. input speed	n_{1Max}	rpm	4500	4500	4500	4500	4500	4500		
Mean no load running torque ^{b)} (at $n_i = 3000$ rpm and 20 °C gearbox temperature)	T_{012}	Nm	15	12	8.0	5.6	5.6	3.8		
		in.lb	135	103	71	50	50	34		
Max. backlash	j_t	arcmin	Standard ≤ 3 / Reduced ≤ 1							
Torsional rigidity ^{b)}	C_{121}	Nm/arcmin	175							
		in.lb/arcmin	1549							
Max. axial force ^{c)}	F_{2AMax}	N	15570							
		lb _f	3503							
Max. lateral force ^{c)}	F_{2QMax}	N	15400							
		lb _f	3465							
Max. tilting moment	M_{2KMax}	Nm	1600							
		in.lb	14161							
Efficiency at full load	η	%	97							
Service life	L_h	h	> 20000							
Weight (incl. standard adapter plate)	m	kg	34							
		lb _m	75.1							
Operating noise (at reference ratio and reference speed – ratio-specific values available in cymex [®])	L_{pA}	dB(A)	≤ 62							
Max. permitted housing temperature		°C	+90							
		F	194							
Ambient temperature		°C	-15 to +40							
		F	5 to 104							
Lubrication			Lubricated for life							
Direction of rotation			In- and output same direction							
Protection class			IP 65							
Metal bellows coupling (recommended product type – validate sizing with cymex [®])			BC2-01500AA055.000-X							
Bore diameter of coupling on the application side		mm	X = 050.000 - 080.000							
Mass moment of inertia (relates to the drive) Clamping hub diameter [mm] Optimized mass inertia version available on request	K	38	J_i	kgcm ²	50.8	33.9	27.9	22.2	22.2	19.2
				10 ⁻³ in.lb.s ²	45.0	30.0	24.7	19.7	19.7	17.0
	M	48	J_i	kgcm ²	58.2	41.2	35.3	29.6	29.6	26.5
				10 ⁻³ in.lb.s ²	51.5	36.5	31.2	26.2	26.2	23.5
	N	55	J_i	kgcm ²	65.7	49.7	44.0	38.5	38.5	35.4
				10 ⁻³ in.lb.s ²	58.1	44.0	38.9	34.1	34.1	31.3

Please use our sizing software cymex[®] for a detailed sizing – www.wittenstein-cymex.com

^{a)} At max. 10 % F_{2QMax}

^{b)} Valid for standard clamping hub diameter

^{c)} Refers to center of the output shaft or flange

^{d)} Please reduce input speed at higher ambient temperatures

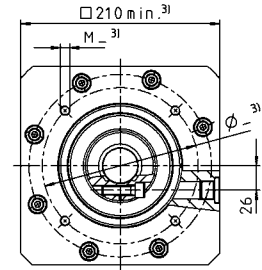
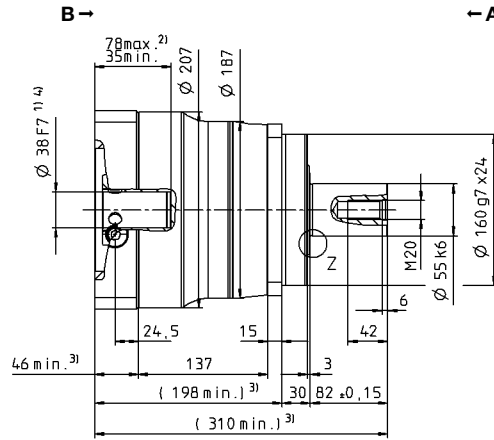
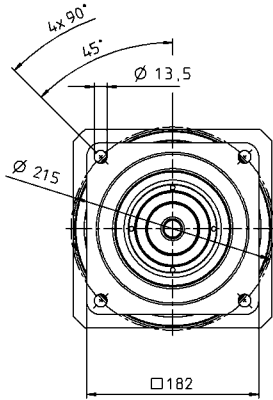
^{e)} Smooth shaft

View A

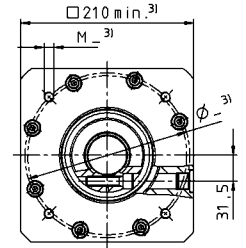
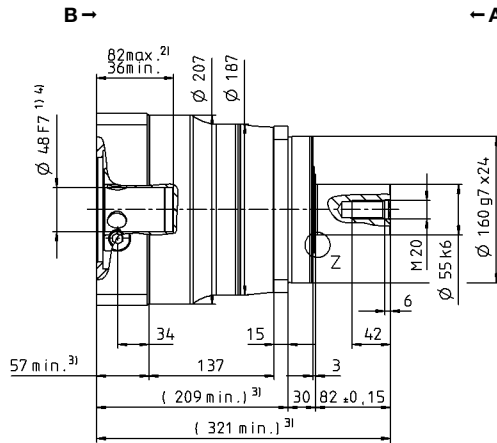
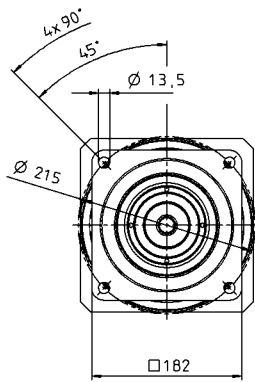
View B

1-stage

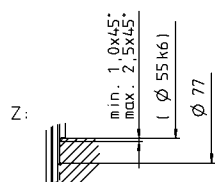
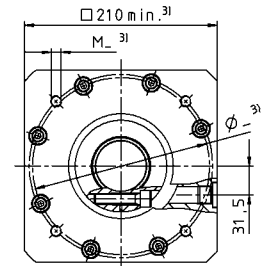
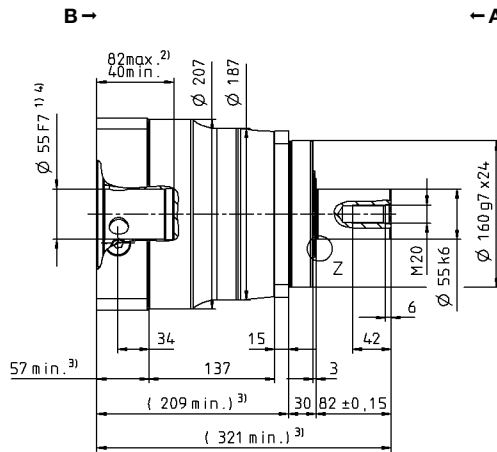
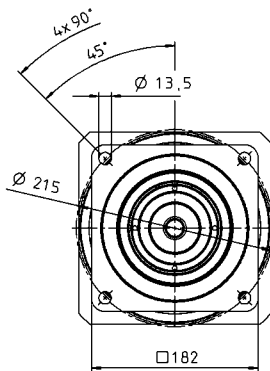
up to 38⁴⁾ (K)
clamping hub diameter



up to 48⁴⁾ (M)⁵⁾
clamping hub diameter

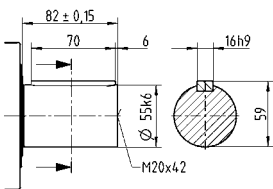


up to 55⁴⁾ (N)⁵⁾
clamping hub diameter

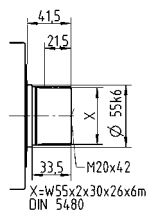


Other output variants

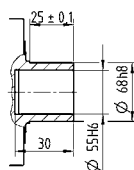
Shaft with key



Spined shaft (DIN 5480)



Shaft mounted



Non-tolerated dimensions are nominal dimensions

¹⁾ Check motor shaft fit

²⁾ Min./Max. permissible motor shaft length. Longer motor shafts are possible, please contact alpha.

³⁾ The dimensions depend on the motor

⁴⁾ Smaller motor shaft diameter is compensated by a bushing with a minimum thickness of 1 mm

⁵⁾ Standard clamping hub diameter

SP+ 180 MF 2-stage

			2-stage												
Ratio	<i>i</i>		16	20	25	28	32	35	40	50	64	70	100		
Max. torque ^{a) b) e)}	T_{2a}	Nm	1485	1485	1857	1485	1485	1857	1485	1857	1238	1356	1238		
		in.lb	13146	13146	16432	13146	13146	16432	13146	16432	10955	12000	10955		
Max. acceleration torque ^{b) e)} (max. 1000 cycles per hour)	T_{2B}	Nm	1452	1452	1452	1452	1452	1452	1452	1452	1164	1356	1164		
		in.lb	12851	12851	12851	12851	12851	12851	12851	12851	10302	12002	10302		
Nominal torque (at n_n)	T_{2N}	Nm	1162	1162	1162	1162	1162	1162	1162	1162	931	1085	931		
		in.lb	10281	10281	10281	10281	10281	10281	10281	10281	8242	9600	8242		
Emergency stop torque ^{a) b) e)} (permitted 1000 times during the service life of the gearbox)	T_{2Not}	Nm	2750	2750	2750	2750	2750	2750	2750	2750	2750	2750	2750		
		in.lb	24340	24340	24340	24340	24340	24340	24340	24340	24340	24340	24340		
Permitted average input speed (at T_{2a} and 20 °C ambient temperature) ^{d)}	n_{1N}	rpm	2700	2700	2700	2700	2700	2700	2700	2900	2900	3200	3400		
Max. input speed	n_{1Max}	rpm	5000	5000	5000	5000	5000	5000	5000	5000	5000	5000	5000		
Mean no load running torque ^{b)} (at $n_i = 3000$ rpm and 20 °C gearbox temperature)	T_{012}	Nm	4.7	3.9	3.6	3.3	3.3	2.8	2.2	1.9	2.2	1.8	1.8		
		in.lb	42	35	32	29	29	25	20	17	20	16	16		
Max. backlash	j_t	arcmin	Standard ≤ 5 / Reduced ≤ 3												
Torsional rigidity ^{b)}	C_{121}	Nm/arcmin	175												
		in.lb/arcmin	1549												
Max. axial force ^{c)}	F_{2AMax}	N	15570												
		lb _f	3503												
Max. lateral force ^{c)}	F_{2QMax}	N	15400												
		lb _f	3465												
Max. tilting moment	M_{2KMax}	Nm	1600												
		in.lb	14161												
Efficiency at full load	η	%	94												
Service life	L_h	h	> 20000												
Weight (incl. standard adapter plate)	m	kg	36.4												
		lb _m	80.4												
Operating noise (at reference ratio and reference speed – ratio-specific values available in cymex [®])	L_{pA}	dB(A)	≤ 58												
Max. permitted housing temperature		°C	+90												
		F	194												
Ambient temperature		°C	-15 to +40												
		F	5 to 104												
Lubrication			Lubricated for life												
Direction of rotation			In- and output same direction												
Protection class			IP 65												
Metal bellows coupling (recommended product type – validate sizing with cymex [®])			BC2-01500AA055.000-X												
Bore diameter of coupling on the application side		mm	X = 050.000 - 080.000												
Mass moment of inertia (relates to the drive) Clamping hub diameter [mm] Optimized mass inertia version available on request	G	24	J_i	kgcm ²	9.27	7.72	7.48	6.32	6.32	6.20	5.51	5.45	5.39	5.36	
				10 ⁻³ in.lb.s ²	8.20	6.83	6.62	5.59	5.59	5.49	4.88	4.82	4.82	4.77	4.74
	I	32	J_i	kgcm ²	12.4	10.9	10.6	9.48	9.48	9.36	8.67	9.68	8.55	8.55	8.52
				10 ⁻³ in.lb.s ²	11.0	9.63	9.42	8.39	8.39	8.28	7.67	8.57	7.57	7.57	7.54
	K	38	J_i	kgcm ²	13.5	12.0	11.7	10.6	10.6	10.4	9.74	9.68	9.63	9.60	
				10 ⁻³ in.lb.s ²	12.0	10.6	10.4	9.34	9.34	9.23	8.62	8.57	8.57	8.52	8.50
	M	48	J_i	kgcm ²	28.1	26.6	26.3	25.2	25.2	25.1	24.4	24.3	24.3	24.3	
				10 ⁻³ in.lb.s ²	24.9	23.5	23.3	22.3	22.3	22.2	21.6	21.5	21.5	21.5	21.5

Please use our sizing software cymex[®] for a detailed sizing – www.wittenstein-cymex.com

^{a)} At max. 10 % F_{2QMax}

^{b)} Valid for standard clamping hub diameter

^{c)} Refers to center of the output shaft or flange

^{d)} Please reduce input speed at higher ambient temperatures

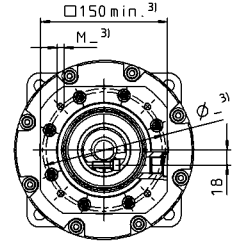
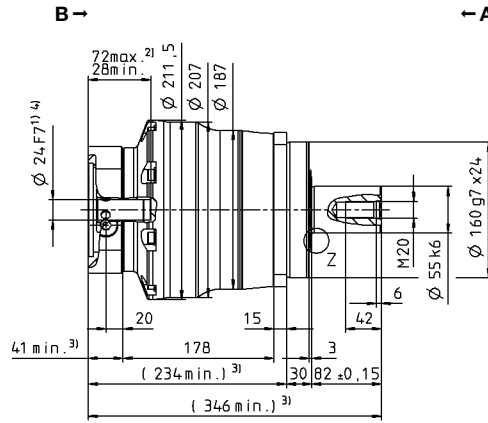
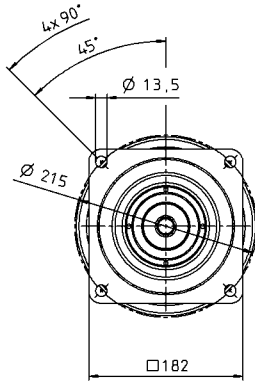
^{e)} Smooth shaft

View A

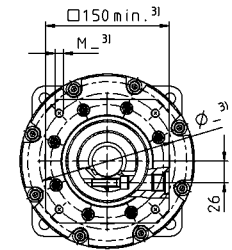
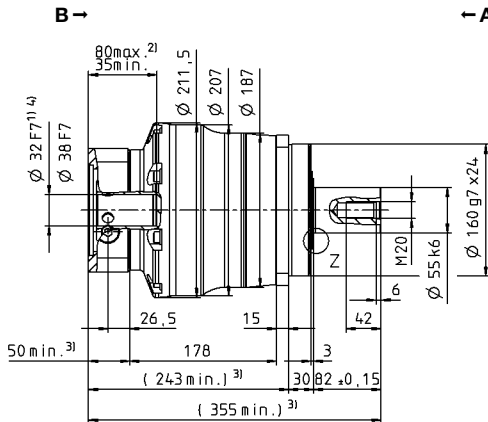
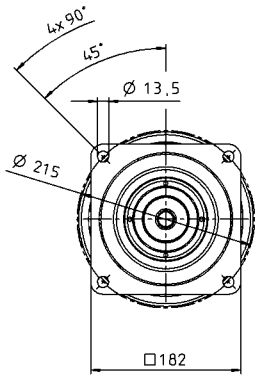
View B

2-stage

up to 24⁴⁾ (G)
clamping hub diameter

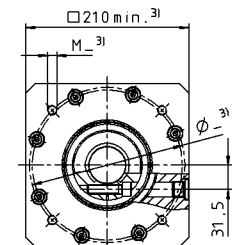
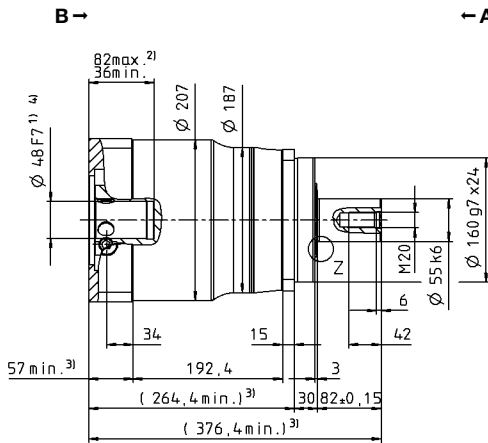
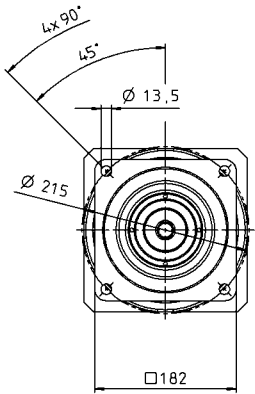


up to 32/38⁴⁾
(I/K⁵⁾) clamping
hub diameter



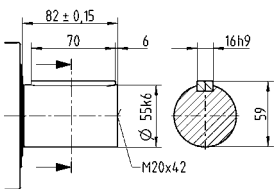
Motor shaft diameter [mm]

up to 48⁴⁾ (M)
clamping hub diameter

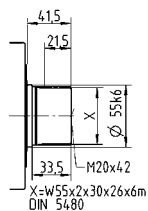


Other output variants

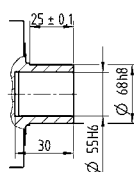
Shaft with key



Splined shaft (DIN 5480)



Shaft mounted



Non-tolerated dimensions are nominal dimensions

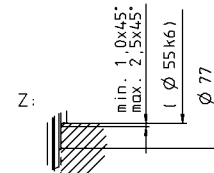
¹⁾ Check motor shaft fit

²⁾ Min./Max. permissible motor shaft length. Longer motor shafts are possible, please contact alpha.

³⁾ The dimensions depend on the motor

⁴⁾ Smaller motor shaft diameter is compensated by a bushing with a minimum thickness of 1 mm

⁵⁾ Standard clamping hub diameter



SP+ 210 MF 1-stage

			1-stage							
Ratio	<i>i</i>		3	4	5	7	8	10		
Max. torque ^{a) b) e)}	T_{2a}	Nm	2560	4000	4000	3840	2800	2800		
		in.lb	22658	35403	35403	33987	24782	24782		
Max. acceleration torque ^{b) e)} (max. 1000 cycles per hour)	T_{2B}	Nm	1920	3000	3000	2880	2280	2280		
		in.lb	16994	26552	26552	25490	20180	20180		
Nominal torque (at n_N)	T_{2N}	Nm	1536	1895	1767	1731	1631	1708		
		in.lb	13595	16772	15641	15323	14432	15122		
Emergency stop torque ^{a) b) e)} (permitted 1000 times during the service life of the gearbox)	T_{2Not}	Nm	5900	5900	5900	5900	5900	5900		
		in.lb	52220	52220	52220	52220	52220	52220		
Permitted average input speed (at T_{2a} and 20 °C ambient temperature) ^{d)}	n_{1N}	rpm	1200	1200	1500	1700	2000	2000		
Max. input speed	n_{1Max}	rpm	3000	3000	3000	3000	3000	3000		
Mean no load running torque ^{b)} (at $n_1 = 2000$ rpm and 20 °C gearbox temperature)	T_{012}	Nm	26	19	15	8.8	8.8	6.4		
		in.lb	227	164	129	78	78	57		
Max. backlash	j_t	arcmin	Standard ≤ 3 / Reduced ≤ 1							
Torsional rigidity ^{b)}	C_{121}	Nm/arcmin	400							
		in.lb/arcmin	3540							
Max. axial force ^{c)}	F_{2AMax}	N	30000							
		lb _f	6750							
Max. lateral force ^{c)}	F_{2QMax}	N	21000							
		lb _f	4725							
Max. tilting moment	M_{2KMax}	Nm	3100							
		in.lb	27437							
Efficiency at full load	η	%	97							
Service life	L_h	h	> 20000							
Weight (incl. standard adapter plate)	m	kg	56							
		lb _m	123.8							
Operating noise (at reference ratio and reference speed – ratio-specific values available in cymex [®])	L_{pA}	dB(A)	≤ 64							
		°C	+90							
Max. permitted housing temperature	F	°C	+90							
		F	194							
Ambient temperature	F	°C	-15 to +40							
		F	5 to 104							
Lubrication			Lubricated for life							
Direction of rotation			In- and output same direction							
Protection class			IP 65							
Metal bellows coupling (recommended product type – validate sizing with cymex [®])			BC2-04000AA075.000-X							
	Bore diameter of coupling on the application side	mm	X = 050.000 - 090.000							
Mass moment of inertia (relates to the drive) Clamping hub diameter [mm] Optimized mass inertia version available on request	N	55	J_1	kgcm ²	139	94.3	76.9	61.5	61.5	53.1
				10 ⁻³ in.lb.s ²	123	83.5	68.1	54.4	54.4	47.0

Please use our sizing software cymex[®] for a detailed sizing – www.wittenstein-cymex.com

- ^{a)} At max. 10 % F_{2QMax}
- ^{b)} Valid for standard clamping hub diameter
- ^{c)} Refers to center of the output shaft or flange
- ^{d)} Please reduce input speed at higher ambient temperatures
- ^{e)} Smooth shaft

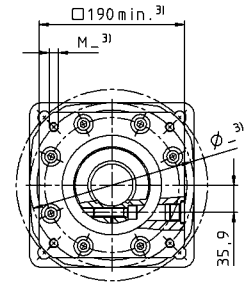
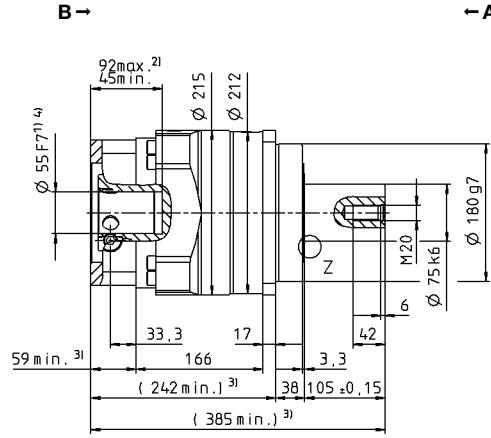
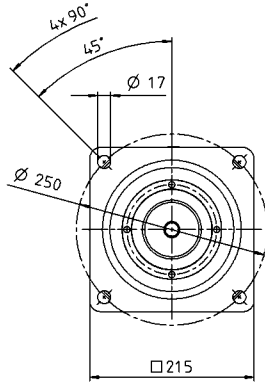
View A

View B

Motor shaft diameter [mm]

1-stage

up to 55 ⁴⁾ (N) ⁵⁾
clamping hub diameter



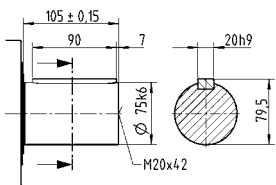
Planetary gearboxes

SP+

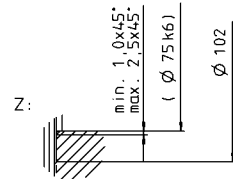
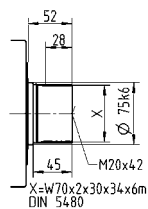
MF

Other output variants

Shaft with key



Splined shaft (DIN 5480)



Non-tolerated dimensions are nominal dimensions

- ¹⁾ Check motor shaft fit
- ²⁾ Min./Max. permissible motor shaft length. Longer motor shafts are possible, please contact alpha.
- ³⁾ The dimensions depend on the motor
- ⁴⁾ Smaller motor shaft diameter is compensated by a bushing with a minimum thickness of 1 mm
- ⁵⁾ Standard clamping hub diameter

SP+ 210 MF 2-stage

			2-stage												
Ratio	<i>i</i>		16	20	25	28	32	35	40	50	64	70	100		
Max. torque ^{a) b) e)}	T_{2a}	Nm	3159	3159	3949	3159	3159	3840	2880	3600	2043	2457	2043		
		in.lb	27958	27958	34947	27958	27958	33987	25490	31863	18081	21745	18081		
Max. acceleration torque ^{b) e)} (max. 1000 cycles per hour)	T_{2B}	Nm	2880	3000	3000	2880	2880	2880	2840	2880	2043	2457	2043		
		in.lb	25490	26552	26552	25490	25490	25490	25136	25490	18081	21745	18081		
Nominal torque (at n_{1N})	T_{2N}	Nm	1274	1266	1567	1294	2200	1599	1358	1679	1634	1965	1634		
		in.lb	11277	11205	13873	11452	19474	14150	12019	14861	14465	17396	14465		
Emergency stop torque ^{a) b) e)} (permitted 1000 times during the service life of the gearbox)	T_{2Not}	Nm	5900	5900	5900	5900	5900	5900	5900	5900	5900	5900	5900		
		in.lb	52220	52220	52220	52220	52220	52220	52220	52220	52220	52220	52220		
Permitted average input speed (at T_{2a} and 20 °C ambient temperature) ^{d)}	n_{1N}	rpm	2500	2500	2500	2500	2500	2500	2500	2500	2500	3000	3000		
Max. input speed	n_{1Max}	rpm	4500	4500	4500	4500	4500	4500	4500	4500	4500	4500	4500		
Mean no load running torque ^{b)} (at $n_1 = 2000$ rpm and 20 °C gearbox temperature)	T_{012}	Nm	5.6	5.2	4.8	4.5	4.5	3.6	3.4	3.0	3.0	2.6	2.4		
		in.lb	50	46	43	39	39	32	30	27	27	23	21		
Max. backlash	j_t	arcmin	Standard ≤ 5 / Reduced ≤ 3												
Torsional rigidity ^{b)}	C_{121}	Nm/arcmin	400												
		in.lb/arcmin	3540												
Max. axial force ^{c)}	F_{2AMax}	N	30000												
		lb _f	6750												
Max. lateral force ^{c)}	F_{2QMax}	N	21000												
		lb _f	4725												
Max. tilting moment	M_{2KMax}	Nm	3100												
		in.lb	27437												
Efficiency at full load	η	%	94												
Service life	L_h	h	> 20000												
Weight (incl. standard adapter plate)	m	kg	53												
		lb _m	117												
Operating noise (at reference ratio and reference speed – ratio-specific values available in cymex [®])	L_{pA}	dB(A)	≤ 57												
Max. permitted housing temperature		°C	+90												
		F	194												
Ambient temperature		°C	-15 to +40												
		F	5 to 104												
Lubrication			Lubricated for life												
Direction of rotation			In- and output same direction												
Protection class			IP 65												
Metal bellows coupling (recommended product type – validate sizing with cymex [®])			BC2-04000AA075.000-X												
Bore diameter of coupling on the application side		mm	X = 050.000 - 090.000												
Mass moment of inertia (relates to the drive) Clamping hub diameter [mm] Optimized mass inertia version available on request	M	48	J_1	kgcm ²	34.5	31.5	30.8	30.0	30.0	29.7	28.5	28.3	28.3	28.1	28.0
				10 ⁻³ in.lb.s ²	30.5	27.9	27.3	26.6	26.6	26.3	25.2	25.0	25.0	24.9	24.8

Please use our sizing software cymex[®] for a detailed sizing – www.wittenstein-cymex.com

- ^{a)} At max. 10 % F_{2QMax}
- ^{b)} Valid for standard clamping hub diameter
- ^{c)} Refers to center of the output shaft or flange
- ^{d)} Please reduce input speed at higher ambient temperatures
- ^{e)} Smooth shaft

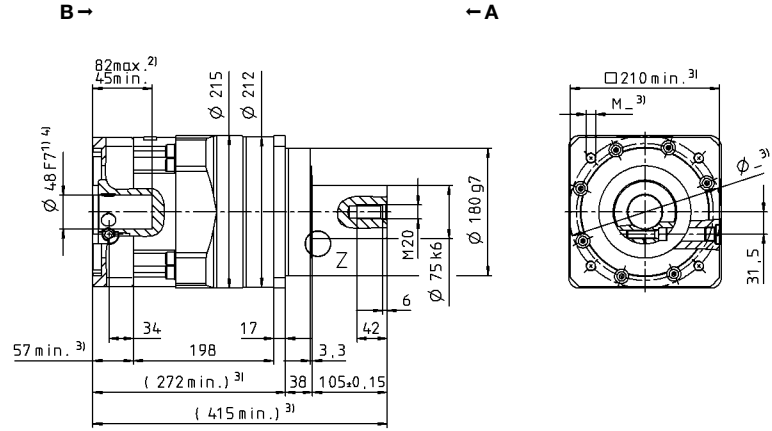
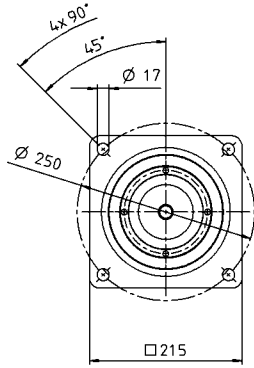
View A

View B

Motor shaft diameter [mm]

2-stage

up to 48⁴⁾ (M)⁵⁾
clamping hub diameter



Planetary gearboxes

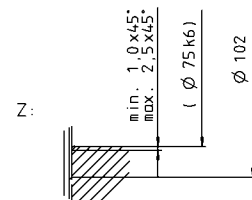
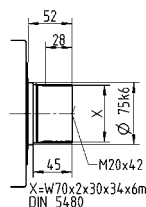
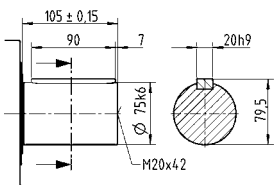
SP+

MF

Other output variants

Shaft with key

Splined shaft (DIN 5480)



Non-tolerated dimensions are nominal dimensions

¹⁾ Check motor shaft fit

²⁾ Min./Max. permissible motor shaft length. Longer motor shafts are possible, please contact alpha.

³⁾ The dimensions depend on the motor

⁴⁾ Smaller motor shaft diameter is compensated by a bushing with a minimum thickness of 1 mm

⁵⁾ Standard clamping hub diameter

SP+ 240 MF 1-stage

			1-stage						
Ratio	<i>i</i>		3	4	5	7	8	10	
Max. torque ^{a) b) e)}	T_{2a}	Nm	4400	5700	5700	5700	4000	4000	
		in.lb	38944	50450	50450	50450	35403	35403	
Max. acceleration torque ^{b) e)} (max. 1000 cycles per hour)	T_{2B}	Nm	3300	5400	5400	5160	4000	4000	
		in.lb	29208	47794	47794	45670	35403	35403	
Nominal torque (at n_n)	T_{2N}	Nm	2333	3038	2872	2737	2611	2735	
		in.lb	20651	26885	25418	24223	23111	24208	
Emergency stop torque ^{a) b) e)} (permitted 1000 times during the service life of the gearbox)	T_{2Not}	Nm	6850	8500	8500	8500	6850	6850	
		in.lb	60628	75232	75232	75232	60628	60628	
Permitted average input speed (at T_{2a} and 20 °C ambient temperature) ^{d)}	n_{1N}	rpm	1000	1000	1200	1500	1700	1700	
Max. input speed	n_{1Max}	rpm	3000	3000	3000	3000	3000	3000	
Mean no load running torque ^{b)} (at $n_1 = 2000$ rpm and 20 °C gearbox temperature)	T_{012}	Nm	32	24	19	12	12	10	
		in.lb	283	212	164	106	106	89	
Max. backlash	j_t	arcmin	Standard ≤ 3 / Reduced ≤ 1						
Torsional rigidity ^{b)}	C_{121}	Nm/arcmin	550						
		in.lb/arcmin	4868						
Max. axial force ^{c)}	F_{2AMax}	N	33000						
		lb _f	7425						
Max. lateral force ^{c)}	F_{2QMax}	N	30000						
		lb _f	6750						
Max. tilting moment	M_{2KMax}	Nm	5000						
		in.lb	44254						
Efficiency at full load	η	%	97						
Service life	L_h	h	> 20000						
Weight (incl. standard adapter plate)	m	kg	77						
		lb _m	170.2						
Operating noise (at reference ratio and reference speed – ratio-specific values available in cymex [®])	L_{pA}	dB(A)	≤ 66						
		°C	+90						
Max. permitted housing temperature	F	°C	+90						
		F	194						
Ambient temperature	F	°C	-15 to +40						
		F	5 to 104						
Lubrication			Lubricated for life						
Direction of rotation			In- and output same direction						
Protection class			IP 65						
Metal bellows coupling (recommended product type – validate sizing with cymex [®])			BC2-06000AA085.000-X						
	Bore diameter of coupling on the application side	mm	X = 060.000 - 140.000						
Mass moment of inertia (relates to the drive) Clamping hub diameter [mm] Optimized mass inertia version available on request	O 60	J_1	kgcm ²	260	198	163	138	138	125
			10 ⁻³ in.lb.s ²	230	175	144	122	122	110

Please use our sizing software cymex[®] for a detailed sizing – www.wittenstein-cymex.com

^{a)} At max. 10 % F_{2QMax}

^{b)} Valid for standard clamping hub diameter

^{c)} Refers to center of the output shaft or flange

^{d)} Please reduce input speed at higher ambient temperatures

^{e)} Smooth shaft

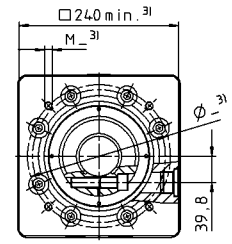
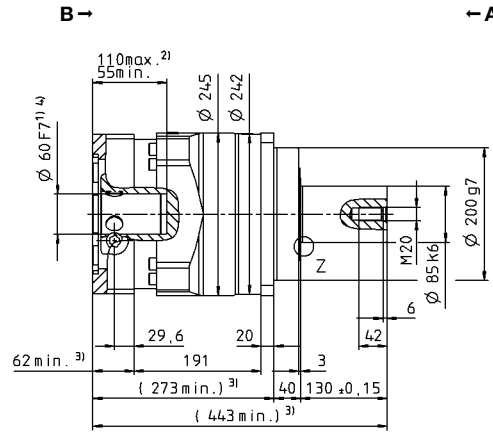
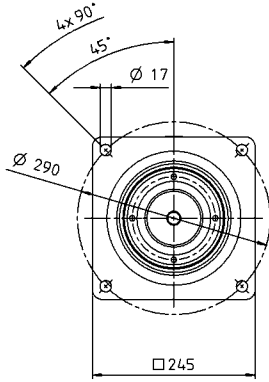
View A

View B

Motor shaft diameter [mm]

1-stage

up to 60⁴⁾ (O)⁵⁾
clamping hub diameter



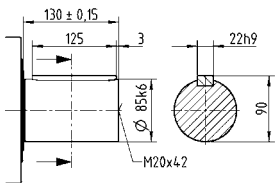
Planetary gearboxes

SP+

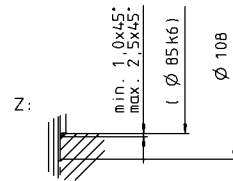
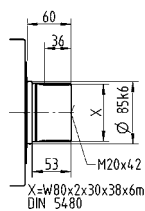
MF

Other output variants

Shaft with key



Splined shaft (DIN 5480)



Non-tolerated dimensions are nominal dimensions

¹⁾ Check motor shaft fit

²⁾ Min./Max. permissible motor shaft length. Longer motor shafts are possible, please contact alpha.

³⁾ The dimensions depend on the motor

⁴⁾ Smaller motor shaft diameter is compensated by a bushing with a minimum thickness of 1 mm

⁵⁾ Standard clamping hub diameter

SP+ 240 MF 2-stage

				2-stage											
Ratio	<i>i</i>			16	20	25	28	32	35	40	50	64	70	100	
Max. torque ^{a) b) e)}	T_{2a}	<i>Nm</i>		5446	5446	5700	5446	5446	5700	5446	5700	3642	5700	3642	
		<i>in.lb</i>		48202	48202	50450	48202	48202	50450	48202	50450	32236	50450	32236	
Max. acceleration torque ^{b) e)} (max. 1000 cycles per hour)	T_{2B}	<i>Nm</i>		5400	5400	5400	5400	5400	5400	4400	5160	3642	4730	3642	
		<i>in.lb</i>		47794	47794	47794	47794	47794	47794	38944	45670	32236	41864	32236	
Nominal torque (at n_{1N})	T_{2N}	<i>Nm</i>		2658	2596	3198	2667	3754	3283	2803	3457	2914	3784	2914	
		<i>in.lb</i>		23524	22976	28308	23607	33222	29060	24811	30600	25789	33491	25789	
Emergency stop torque ^{a) b) e)} (permitted 1000 times during the service life of the gearbox)	T_{2Not}	<i>Nm</i>		8500	8500	8500	8500	8500	8500	8500	8500	6850	8500	6850	
		<i>in.lb</i>		75232	75232	75232	75232	75232	75232	75232	75232	60628	75232	60628	
Permitted average input speed (at T_{2a} and 20 °C ambient temperature) ^{d)}	n_{1N}	<i>rpm</i>		2300	2500	2500	2500	2500	2500	2500	2500	2500	2800	2800	
Max. input speed	n_{1Max}	<i>rpm</i>		4500	4500	4500	4500	4500	4500	4500	4500	4500	4500	4500	
Mean no load running torque ^{b)} (at $n_1 = 2000$ rpm and 20 °C gearbox temperature)	T_{012}	<i>Nm</i>		8.4	7.1	6.5	5.9	5.9	4.5	4.1	3.5	3.5	3.0	3.0	
		<i>in.lb</i>		74	63	58	52	52	40	36	31	31	26	26	
Max. backlash	j_t	<i>arcmin</i>		Standard ≤ 5 / Reduced ≤ 3											
Torsional rigidity ^{b)}	C_{121}	<i>Nm/arcmin</i>		550											
		<i>in.lb/arcmin</i>		4868											
Max. axial force ^{c)}	F_{2AMax}	<i>N</i>		33000											
		<i>lb_f</i>		7425											
Max. lateral force ^{c)}	F_{2QMax}	<i>N</i>		30000											
		<i>lb_f</i>		6750											
Max. tilting moment	M_{2KMax}	<i>Nm</i>		5000											
		<i>in.lb</i>		44254											
Efficiency at full load	η	%		94											
Service life	L_h	<i>h</i>		> 20000											
Weight (incl. standard adapter plate)	<i>m</i>	<i>kg</i>		76											
		<i>lb_m</i>		168											
Operating noise (at reference ratio and reference speed – ratio-specific values available in cymex [®])	L_{pA}	<i>dB(A)</i>		≤ 58											
Max. permitted housing temperature		°C		+90											
		<i>F</i>		194											
Ambient temperature		°C		-15 to +40											
		<i>F</i>		5 to 104											
Lubrication				Lubricated for life											
Direction of rotation				In- and output same direction											
Protection class				IP 65											
Metal bellows coupling (recommended product type – validate sizing with cymex [®])				BC2-06000AA085.000-X											
Bore diameter of coupling on the application side		<i>mm</i>		X = 060.000 - 140.000											
Mass moment of inertia (relates to the drive) Clamping hub diameter [mm] Optimized mass inertia version available on request	M	48	J_1	<i>kgcm²</i>	39.2	34.6	33.2	30.5	30.5	29.7	28.2	27.9	27.6	27.6	27.5
				<i>10⁻³ in.lb.s²</i>	34.7	30.6	29.4	27.0	27.0	26.3	25.0	24.7	24.4	24.4	24.3

Please use our sizing software cymex[®] for a detailed sizing – www.wittenstein-cymex.com

^{a)} At max. 10 % F_{2QMax}

^{b)} Valid for standard clamping hub diameter

^{c)} Refers to center of the output shaft or flange

^{d)} Please reduce input speed at higher ambient temperatures

^{e)} Smooth shaft

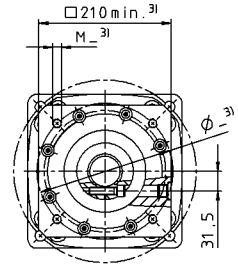
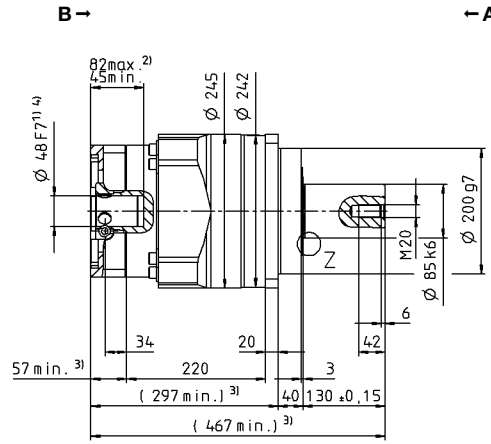
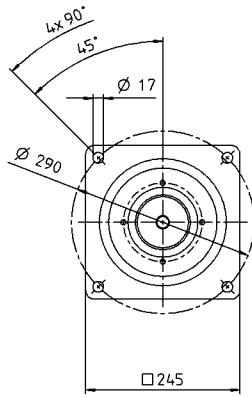
View A

View B

Motor shaft diameter [mm]

2-stage

up to 48 ⁴⁾ (M) ⁵⁾
clamping hub diameter



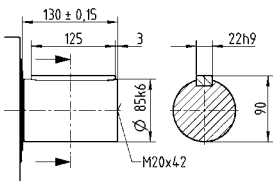
Planetary gearboxes

SP+

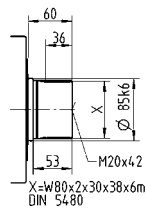
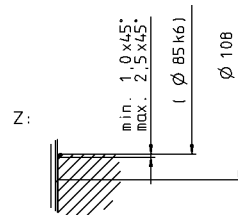
MF

Other output variants

Shaft with key



Splined shaft (DIN 5480)

X=W80x2x30x38x6m
DIN 5480

Non-tolerated dimensions are nominal dimensions

¹⁾ Check motor shaft fit²⁾ Min./Max. permissible motor shaft length. Longer motor shafts are possible, please contact alpha.³⁾ The dimensions depend on the motor⁴⁾ Smaller motor shaft diameter is compensated by a bushing with a minimum thickness of 1 mm⁵⁾ Standard clamping hub diameter

SP+ 075 MC 1-stage

			1-stage							
Ratio	<i>i</i>		3	4	5	7	8	10		
Max. torque ^{a) b) e)}	T_{2a}	Nm	68	90	90	90	70	70		
		in.lb	602	797	797	797	620	620		
Max. acceleration torque ^{b) e)} (max. 1000 cycles per hour)	T_{2B}	Nm	68	90	90	90	70	70		
		in.lb	602	797	797	797	620	620		
Nominal torque (at n_N)	T_{2N}	Nm	41	51	51	52	50	53		
		in.lb	362	448	447	459	441	468		
Emergency stop torque ^{a) b) e)} (permitted 1000 times during the service life of the gearbox)	T_{2Not}	Nm	139	185	250	250	213	213		
		in.lb	1230	1640	2213	2213	1885	1885		
Permitted average input speed (at T_{2a} and 20 °C ambient temperature) ^{d)}	n_{1N}	rpm	4500	4500	4500	4500	4500	4500		
Max. input speed	n_{1Max}	rpm	6000	6000	6000	6000	6000	6000		
Mean no load running torque ^{b)} (at $n_1 = 3000$ rpm and 20 °C gearbox temperature)	T_{012}	Nm	1.1	0.88	0.72	0.49	0.42	0.40		
		in.lb	9.9	7.8	6.4	4.3	3.7	3.5		
Max. backlash	j_t	arcmin	Standard ≤ 6 / Reduced ≤ 4							
Torsional rigidity ^{b)}	C_{121}	Nm/arcmin	10							
		in.lb/arcmin	89							
Max. axial force ^{c)}	F_{2AMax}	N	3350							
		lb _f	754							
Max. lateral force ^{c)}	F_{2QMax}	N	4200							
		lb _f	945							
Max. tilting moment	M_{2KMax}	Nm	236							
		in.lb	2089							
Efficiency at full load	η	%	98.5							
Service life	L_h	h	> 30000							
Weight (incl. standard adapter plate)	m	kg	3.9							
		lb _m	8.6							
Operating noise (at reference ratio and reference speed – ratio-specific values available in cymex [®])	L_{pA}	dB(A)	≤ 59							
		°C	+90							
Max. permitted housing temperature	F	°C	+90							
		F	194							
Ambient temperature	F	°C	-15 to +40							
		F	5 to 104							
Lubrication			Lubricated for life							
Direction of rotation			In- and output same direction							
Protection class			IP 65							
Metal bellows coupling (recommended product type – validate sizing with cymex [®])			BC2-00080AA022.000-X							
	Bore diameter of coupling on the application side	mm	X = 014.000 - 042.000							
Mass moment of inertia (relates to the drive) Clamping hub diameter [mm]	E	19	J_1	kgcm ²	1.03	0.78	0.68	0.59	0.54	0.54
				10 ⁻³ in.lb.s ²	0.91	0.69	0.60	0.52	0.48	0.48
	G	24	J_1	kgcm ²	2.40	2.15	2.05	1.96	1.91	1.91
				10 ⁻³ in.lb.s ²	2.12	1.90	1.81	1.73	1.69	1.69

Please use our sizing software cymex[®] for a detailed sizing – www.wittenstein-cymex.com

^{a)} At max. 10 % F_{2QMax}

^{b)} Valid for standard clamping hub diameter

^{c)} Refers to center of the output shaft or flange

^{d)} Please reduce input speed at higher ambient temperatures

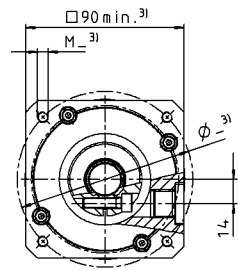
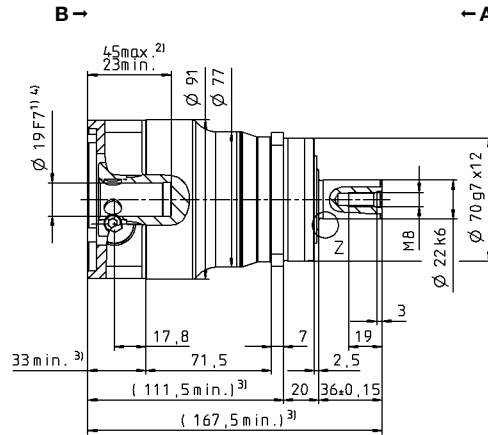
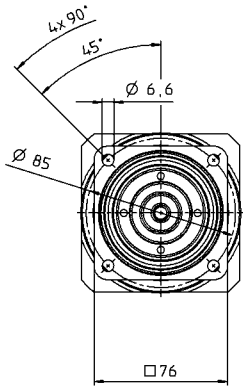
^{e)} Smooth shaft

View A

View B

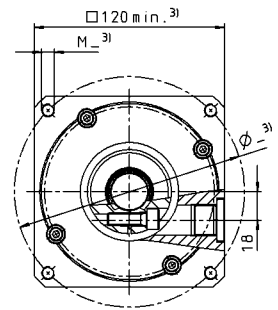
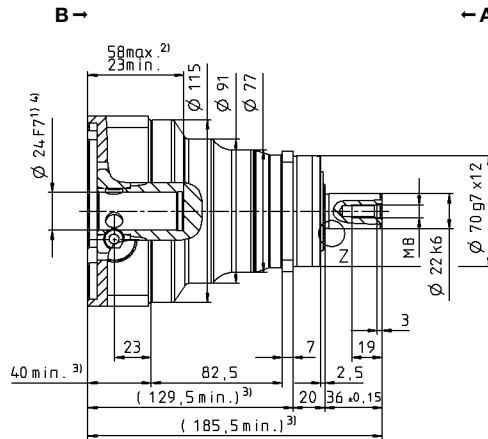
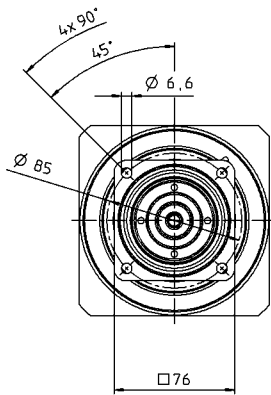
1-stage

up to 19 ⁴⁾ (E) ⁵⁾
clamping hub diameter



Motor shaft diameter [mm]

up to 24 ⁴⁾ (G)
clamping hub diameter



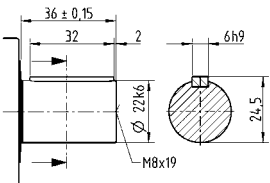
Planetary gearboxes

SP+

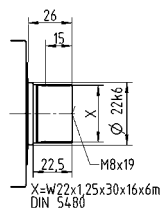
MC

Other output variants

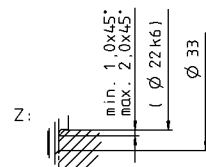
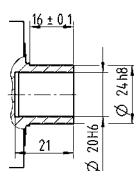
Shaft with key



Splined shaft (DIN 5480)



Shaft mounted



Non-tolerated dimensions are nominal dimensions

- ¹⁾ Check motor shaft fit
- ²⁾ Min./Max. permissible motor shaft length. Longer motor shafts are possible, please contact alpha.
- ³⁾ The dimensions depend on the motor
- ⁴⁾ Smaller motor shaft diameter is compensated by a bushing with a minimum thickness of 1 mm
- ⁵⁾ Standard clamping hub diameter

SP+ 075 MC 2-stage

			2-stage											
Ratio	<i>i</i>		16	20	25	28	32	35	40	50	64	70	100	
Max. torque ^{a) b) e)}	T_{2a}	Nm	90	90	90	90	90	90	90	90	70	90	70	
		in.lb	797	797	797	797	797	797	797	797	797	620	797	620
Max. acceleration torque ^{b) e)} (max. 1000 cycles per hour)	T_{2B}	Nm	90	90	90	90	90	90	90	90	70	90	70	
		in.lb	797	797	797	797	797	797	797	797	797	620	797	620
Nominal torque (at n_n)	T_{2N}	Nm	62	62	72	65	72	72	65	72	56	72	56	
		in.lb	552	553	637	572	637	637	574	637	496	637	496	
Emergency stop torque ^{a) b) e)} (permitted 1000 times during the service life of the gearbox)	T_{2Not}	Nm	250	250	250	250	250	250	250	250	213	250	213	
		in.lb	2213	2213	2213	2213	2213	2213	2213	2213	1885	2213	1885	
Permitted average input speed (at T_{2a} and 20 °C ambient temperature) ^{d)}	n_{1N}	rpm	4500	4500	4500	4500	4500	4500	4500	4500	4500	4500	4500	
Max. input speed	n_{1Max}	rpm	6000	6000	6000	6000	6000	6000	6000	6000	6000	6000	6000	
Mean no load running torque ^{b)} (at $n_i = 3000$ rpm and 20 °C gearbox temperature)	T_{012}	Nm	0.36	0.24	0.18	0.18	0.17	0.16	0.16	0.16	0.16	0.15	0.14	
		in.lb	3.2	2.1	1.6	1.6	1.5	1.4	1.4	1.4	1.4	1.3	1.2	
Max. backlash	j_t	arcmin	Standard ≤ 8 / Reduced ≤ 6											
Torsional rigidity ^{b)}	C_{121}	Nm/arcmin	10											
		in.lb/arcmin	89											
Max. axial force ^{c)}	F_{2AMax}	N	3350											
		lb _f	754											
Max. lateral force ^{c)}	F_{2QMax}	N	4200											
		lb _f	945											
Max. tilting moment	M_{2KMax}	Nm	236											
		in.lb	2089											
Efficiency at full load	η	%	96.5											
Service life	L_h	h	> 30000											
Weight (incl. standard adapter plate)	m	kg	3.6											
		lb _m	8.0											
Operating noise (at reference ratio and reference speed – ratio-specific values available in cymex [®])	L_{pA}	dB(A)	≤ 55											
Max. permitted housing temperature		°C	+90											
		F	194											
Ambient temperature		°C	-15 to +40											
		F	5 to 104											
Lubrication			Lubricated for life											
Direction of rotation			In- and output same direction											
Protection class			IP 65											
Metal bellows coupling (recommended product type – validate sizing with cymex [®])			BC2-00080AA022.000-X											
Bore diameter of coupling on the application side		mm	X = 014.000 - 042.000											
Mass moment of inertia (relates to the drive) Clamping hub diameter [mm]	C	14	J_i	kgcm ²	0.23	0.20	0.20	0.18	0.18	0.18	0.16	0.16	0.16	0.16
				10 ⁻³ in.lb.s ²	0.20	0.18	0.18	0.16	0.16	0.16	0.14	0.14	0.14	0.14
	E	19	J_i	kgcm ²	0.55	0.53	0.52	0.50	0.50	0.50	0.49	0.49	0.49	0.49
				10 ⁻³ in.lb.s ²	0.49	0.47	0.46	0.44	0.44	0.44	0.43	0.43	0.43	0.43

Please use our sizing software cymex[®] for a detailed sizing – www.wittenstein-cymex.com

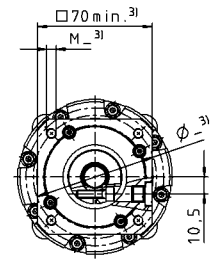
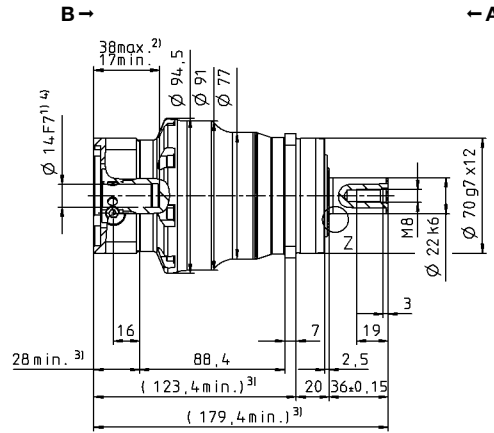
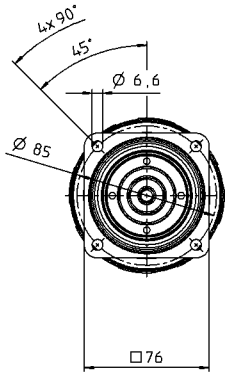
- ^{a)} At max. 10 % F_{2QMax}
- ^{b)} Valid for standard clamping hub diameter
- ^{c)} Refers to center of the output shaft or flange
- ^{d)} Please reduce input speed at higher ambient temperatures
- ^{e)} Smooth shaft

View A

View B

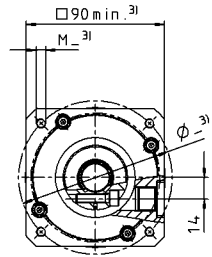
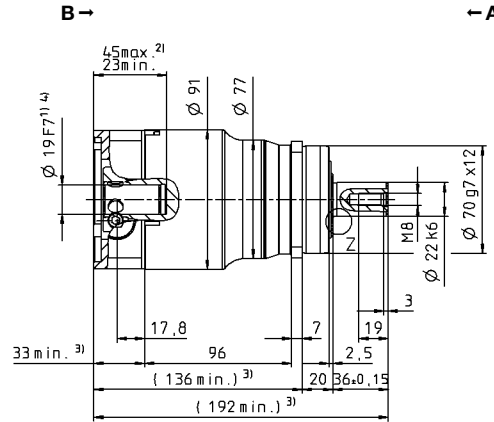
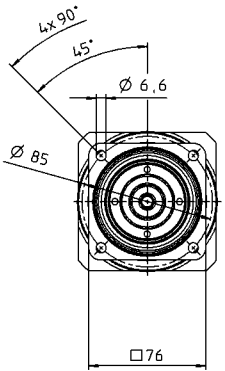
2-stage

up to 14⁴⁾ (C)⁵⁾
clamping hub
diameter



Motor shaft diameter [mm]

up to 19⁴⁾ (E)
clamping hub
diameter



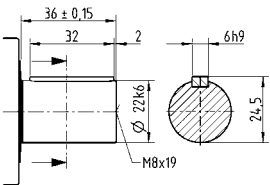
Planetary gearboxes

SP+

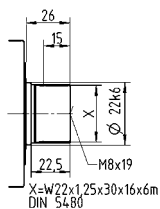
MC

Other output variants

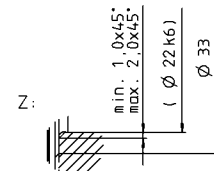
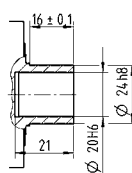
Shaft with key



Splined shaft (DIN 5480)



Shaft mounted



Non-tolerated dimensions are nominal dimensions

¹⁾ Check motor shaft fit

²⁾ Min./Max. permissible motor shaft length. Longer motor shafts are possible, please contact alpha.

³⁾ The dimensions depend on the motor

⁴⁾ Smaller motor shaft diameter is compensated by a bushing with a minimum thickness of 1 mm

⁵⁾ Standard clamping hub diameter

SP+ 100 MC 1-stage

			Standard version MC						Friction optimized version L							
Ratio	<i>i</i>		3	4	5	7	8	10	3	4	5	7	8	10		
Max. torque ^{a) b) e)}	T_{2a}	Nm	180	240	240	240	180	180	180	240	240	240	180	180		
		in.lb	1593	2124	2124	2124	1593	1593	1593	2124	2124	2124	1593	1593		
Max. acceleration torque ^{b) e)} (max. 1000 cycles per hour)	T_{2B}	Nm	180	240	240	240	180	180	180	240	240	240	180	180		
		in.lb	1593	2124	2124	2124	1593	1593	1593	2124	2124	2124	1593	1593		
Nominal torque (at n_{1N})	T_{2N}	Nm	76	95	91	93	93	97	76	95	91	93	93	97		
		in.lb	677	838	806	823	821	861	677	838	806	823	821	861		
Emergency stop torque ^{a) b) e)} (permitted 1000 times during the service life of the gearbox)	T_{2Not}	Nm	454	625	625	625	599	599	454	625	625	625	599	599		
		in.lb	4016	5532	5532	5532	5302	5302	4016	5532	5532	5532	5302	5302		
Permitted average input speed (at T_{2a} and 20 °C ambient temperature) ^{d)}	n_{1N}	rpm	3500	4000	4500	4500	4500	4500	3500	4000	4500	4500	4500	4500		
Max. input speed	n_{1Max}	rpm	6000	6000	6000	6000	6000	6000	6000	6000	6000	6000	6000	6000		
Mean no load running torque ^{b)} (at $n_1 = 3000$ rpm and 20 °C gearbox temperature)	T_{012}	Nm	2.0	1.8	1.4	0.84	0.78	0.64	0.9	0.8	0.6	0.5	0.4	0.4		
		in.lb	17	16	12	7.4	6.9	5.7	8.0	7.1	5.3	4.4	3.5	3.5		
Max. backlash	j_t	arcmin	Standard ≤ 4 / Reduced ≤ 2													
Torsional rigidity ^{b)}	C_{121}	Nm/arcmin	31													
		in.lb/arcmin	274													
Max. axial force ^{c)}	F_{2AMax}	N	5650					2000								
		lb _f	1271					450								
Max. lateral force ^{c)}	F_{2QMax}	N	6600					1000								
		lb _f	1485					225								
Max. tilting moment	M_{2KMax}	Nm	487					72								
		in.lb	4310					637								
Efficiency at full load	η	%	98.5					99								
Service life	L_h	h	> 30000													
Weight (incl. standard adapter plate)	m	kg	7.7													
		lb _m	17													
Operating noise (at reference ratio and reference speed – ratio-specific values available in cymex [®])	L_{pA}	dB(A)	≤ 58													
Max. permitted housing temperature		°C	+90													
		F	194													
Ambient temperature		°C	-15 to +40													
		F	5 to 104													
Lubrication			Lubricated for life													
Direction of rotation			In- and output same direction													
Protection class			IP 65					IP 52								
Metal bellows coupling (recommended product type – validate sizing with cymex [®])			BC2-00300AA032.000-X													
Bore diameter of coupling on the application side		mm	X = 024.000 - 060.000													
Mass moment of inertia (relates to the drive) Clamping hub diameter [mm]	G	24	J_1	kgcm ²	3.99	3.04	2.61	2.29	2.26	2.07	3.99	3.04	2.61	2.29	2.26	2.07
				10 ⁻³ in.lb.s ²	3.53	2.69	2.31	2.03	2.00	1.83	3.53	2.69	2.31	2.03	2.00	1.83
	K	38	J_1	kgcm ²	11.1	10.1	9.68	9.36	9.55	9.14	11.1	10.1	9.68	9.36	9.55	9.14
				10 ⁻³ in.lb.s ²	9.82	8.94	8.57	8.28	8.45	8.09	9.82	8.94	8.57	8.28	8.45	8.09

Please use our sizing software cymex[®] for a detailed sizing – www.wittenstein-cymex.com

^{a)} At max. 10 % F_{2QMax}

^{b)} Valid for standard clamping hub diameter

^{c)} Refers to center of the output shaft or flange

^{d)} Please reduce input speed at higher ambient temperatures

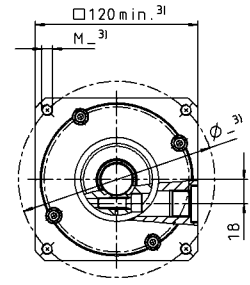
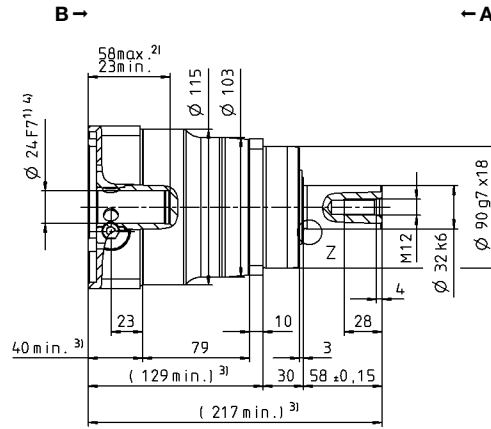
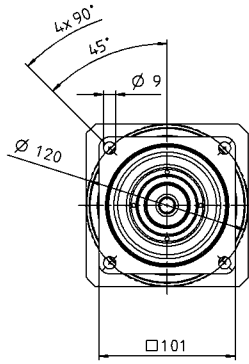
^{e)} Smooth shaft

View A

View B

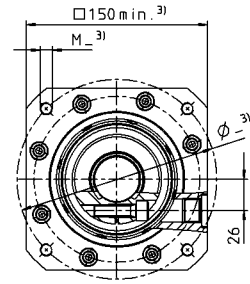
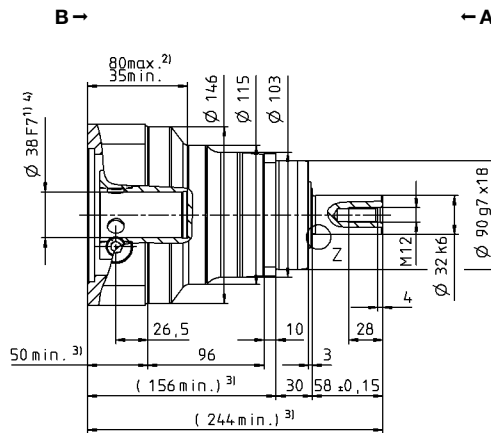
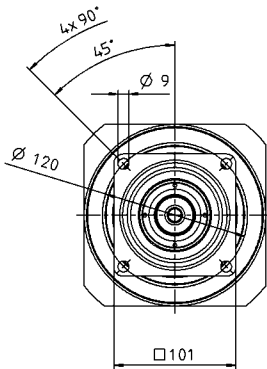
1-stage

up to 24⁴⁾ (G)⁵⁾
clamping hub
diameter



Motor shaft diameter [mm]

up to 38⁴⁾ (K)
clamping hub
diameter



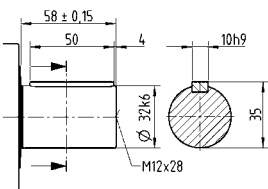
Planetary gearboxes

SP+

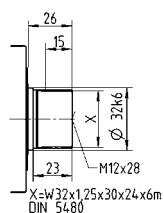
MC

Other output variants

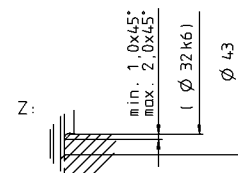
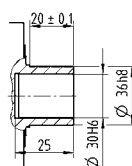
Shaft with key



Splined shaft (DIN 5480)



Shaft mounted



Non-tolerated dimensions are nominal dimensions

¹⁾ Check motor shaft fit

²⁾ Min./Max. permissible motor shaft length. Longer motor shafts are possible, please contact alpha.

³⁾ The dimensions depend on the motor

⁴⁾ Smaller motor shaft diameter is compensated by a bushing with a minimum thickness of 1 mm

⁵⁾ Standard clamping hub diameter

SP+ 100 MC 2-stage

			2-stage												
Ratio	<i>i</i>		16	20	25	28	32	35	40	50	64	70	100		
Max. torque ^{a) b) e)}	T_{2a}	Nm	240	240	240	240	240	240	240	240	180	240	180		
		in.lb	2124	2124	2124	2124	2124	2124	2124	2124	2124	1593	2124	1593	
Max. acceleration torque ^{b) e)} (max. 1000 cycles per hour)	T_{2B}	Nm	240	240	240	240	240	240	240	240	180	240	180		
		in.lb	2124	2124	2124	2124	2124	2124	2124	2124	2124	1593	2124	1593	
Nominal torque (at n_n)	T_{2N}	Nm	138	148	149	164	141	164	183	182	144	189	144		
		in.lb	1221	1313	1322	1453	1251	1450	1617	1614	1275	1673	1275		
Emergency stop torque ^{a) b) e)} (permitted 1000 times during the service life of the gearbox)	T_{2Not}	Nm	625	625	625	625	625	625	625	625	599	625	599		
		in.lb	5532	5532	5532	5532	5532	5532	5532	5532	5302	5532	5302		
Permitted average input speed (at T_{2a} and 20 °C ambient temperature) ^{d)}	n_{1N}	rpm	4500	4500	4500	4500	4500	4500	4500	4500	4500	4500	4500		
Max. input speed	n_{1Max}	rpm	6000	6000	6000	6000	6000	6000	6000	6000	6000	6000	6000		
Mean no load running torque ^{b)} (at $n_i = 3000$ rpm and 20 °C gearbox temperature)	T_{012}	Nm	0.52	0.53	0.48	0.43	0.38	0.28	0.40	0.25	0.25	0.20	0.19		
		in.lb	4.6	4.7	4.2	3.8	3.4	2.5	3.5	2.2	2.2	1.8	1.7		
Max. backlash	j_t	arcmin	Standard ≤ 6 / Reduced ≤ 4												
Torsional rigidity ^{b)}	C_{121}	Nm/arcmin	31												
		in.lb/arcmin	274												
Max. axial force ^{c)}	F_{2AMax}	N	5650												
		lb _f	1271												
Max. lateral force ^{c)}	F_{2QMax}	N	6600												
		lb _f	1485												
Max. tilting moment	M_{2KMax}	Nm	487												
		in.lb	4310												
Efficiency at full load	η	%	96.5												
Service life	L_h	h	> 30000												
Weight (incl. standard adapter plate)	m	kg	7.9												
		lb _m	17.5												
Operating noise (at reference ratio and reference speed – ratio-specific values available in cymex [®])	L_{pA}	dB(A)	≤ 56												
Max. permitted housing temperature		°C	+90												
		F	194												
Ambient temperature		°C	-15 to +40												
		F	5 to 104												
Lubrication			Lubricated for life												
Direction of rotation			In- and output same direction												
Protection class			IP 65												
Metal bellows coupling (recommended product type – validate sizing with cymex [®])			BC2-00300AA032.000-X												
Bore diameter of coupling on the application side		mm	X = 024.000 - 060.000												
Mass moment of inertia (relates to the drive) Clamping hub diameter [mm]	E	19	J_i	kgcm ²	0.81	0.70	0.68	0.60	0.43	0.59	0.55	0.54	0.38	0.54	0.54
				10 ⁻³ in.lb.s ²	0.72	0.62	0.60	0.53	0.38	0.52	0.49	0.48	0.34	0.48	0.48
	G	24	J_i	kgcm ²	2.18	2.07	2.05	1.97	2.06	1.96	1.92	1.91	1.91	1.91	1.91
				10 ⁻³ in.lb.s ²	1.93	1.83	1.81	1.74	1.82	1.73	1.70	1.69	1.69	1.69	1.69

Please use our sizing software cymex[®] for a detailed sizing – www.wittenstein-cymex.com

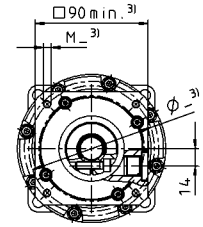
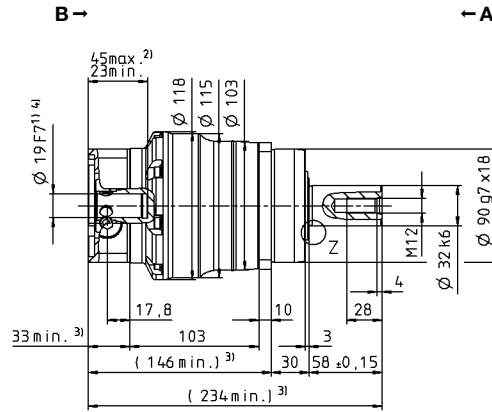
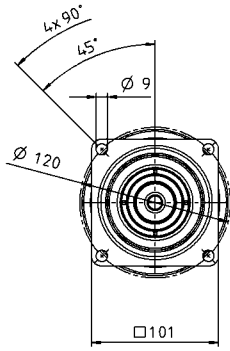
- ^{a)} At max. 10 % F_{2QMax}
- ^{b)} Valid for standard clamping hub diameter
- ^{c)} Refers to center of the output shaft or flange
- ^{d)} Please reduce input speed at higher ambient temperatures
- ^{e)} Smooth shaft

View A

View B

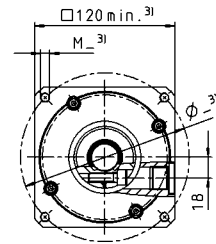
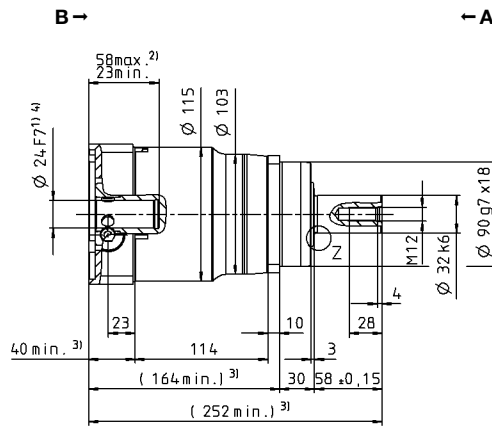
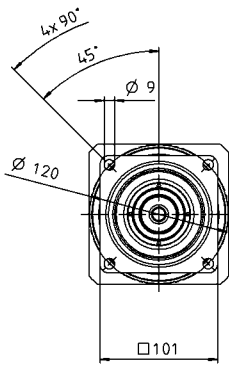
2-stage

up to 19⁴⁾ (E)⁵⁾
clamping hub diameter



Motor shaft diameter [mm]

up to 24⁴⁾ (G)
clamping hub diameter



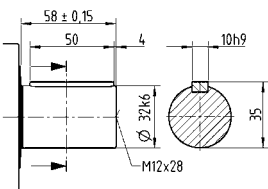
Planetary gearboxes

SP+

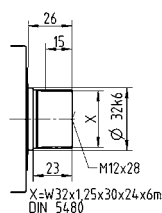
MC

Other output variants

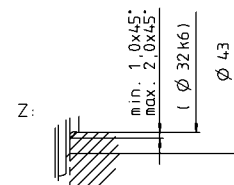
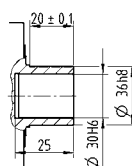
Shaft with key



Splined shaft (DIN 5480)



Shaft mounted



Non-tolerated dimensions are nominal dimensions

¹⁾ Check motor shaft fit

²⁾ Min./Max. permissible motor shaft length. Longer motor shafts are possible, please contact alpha.

³⁾ The dimensions depend on the motor

⁴⁾ Smaller motor shaft diameter is compensated by a bushing with a minimum thickness of 1 mm

⁵⁾ Standard clamping hub diameter

SP+ 140 MC 1-stage

			Standard version MC						Friction optimized version L							
Ratio	<i>i</i>		3	4	5	7	8	10	3	4	5	7	8	10		
Max. torque ^{a) b) e)}	T_{2a}	Nm	310	480	480	480	380	380	310	480	480	480	380	380		
		in.lb	2744	4248	4248	4248	3363	3363	2744	4248	4248	4248	3363	3363		
Max. acceleration torque ^{b) e)} (max. 1000 cycles per hour)	T_{2B}	Nm	310	480	480	480	380	380	310	480	480	480	380	380		
		in.lb	2744	4248	4248	4248	3363	3363	2744	4248	4248	4248	3363	3363		
Nominal torque (at n_n)	T_{2N}	Nm	127	195	182	187	186	195	127	195	182	187	186	195		
		in.lb	1122	1730	1612	1656	1644	1727	1122	1730	1612	1656	1644	1727		
Emergency stop torque ^{a) b) e)} (permitted 1000 times during the service life of the gearbox)	T_{2Not}	Nm	1250	1350	1350	1350	1250	1250	1250	1350	1350	1350	1250	1250		
		in.lb	11064	11949	11949	11949	11064	11064	11064	11949	11949	11949	11064	11064		
Permitted average input speed (at T_{2a} and 20 °C ambient temperature) ^{d)}	n_{1N}	rpm	3000	3500	4500	4500	4500	4500	3000	3500	4500	4500	4500	4500		
Max. input speed	n_{1Max}	rpm	6000	6000	6000	6000	6000	6000	6000	6000	6000	6000	6000	6000		
Mean no load running torque ^{b)} (at $n_i = 3000$ rpm and 20 °C gearbox temperature)	T_{012}	Nm	4.1	3.5	3.0	2.2	1.8	1.7	2.0	1.5	1.2	1.0	0.9	0.9		
		in.lb	36	31	27	20	16	15	18	13	11	8.9	8.0	8.0		
Max. backlash	j_t	arcmin	Standard ≤ 4 / Reduced ≤ 2													
Torsional rigidity ^{b)}	C_{121}	Nm/arcmin	53													
		in.lb/arcmin	469													
Max. axial force ^{c)}	F_{2AMax}	N	9870						3000							
		lb _f	2221						675							
Max. lateral force ^{c)}	F_{2QMax}	N	9900						1200							
		lb _f	2228						270							
Max. tilting moment	M_{2KMax}	Nm	952						110							
		in.lb	8426						974							
Efficiency at full load	η	%	98.5						99							
Service life	L_h	h	> 30000													
Weight (incl. standard adapter plate)	m	kg	17.2													
		lb _m	38													
Operating noise (at reference ratio and reference speed – ratio-specific values available in cymex [®])	L_{pA}	dB(A)	≤ 59													
Max. permitted housing temperature		°C	+90													
		F	194													
Ambient temperature		°C	-15 to +40													
		F	5 to 104													
Lubrication			Lubricated for life													
Direction of rotation			In- and output same direction													
Protection class			IP 65						IP 52							
Metal bellows coupling (recommended product type – validate sizing with cymex [®])			BC2-00500AA040.000-X													
Bore diameter of coupling on the application side		mm	X = 035.000 - 060.000													
Mass moment of inertia (relates to the drive) Clamping hub diameter [mm]	K	38	J_i	kgcm ²	14.9	12.1	11.0	10.1	10.1	9.5	14.9	12.1	11.0	10.1	9.5	
				10 ⁻³ in.lb.s ²	13.2	10.7	9.7	8.9	8.9	8.4	13.2	10.7	9.7	8.9	8.9	8.4
	M	48	J_i	kgcm ²	29.5	26.7	25.6	24.7	24.7	24.2	29.5	26.7	25.6	24.7	24.7	24.2
				10 ⁻³ in.lb.s ²	26.1	23.6	22.7	21.9	21.9	21.4	26.1	23.6	22.7	21.9	21.9	21.4

Please use our sizing software cymex[®] for a detailed sizing – www.wittenstein-cymex.com

^{a)} At max. 10 % F_{2QMax}

^{b)} Valid for standard clamping hub diameter

^{c)} Refers to center of the output shaft or flange

^{d)} Please reduce input speed at higher ambient temperatures

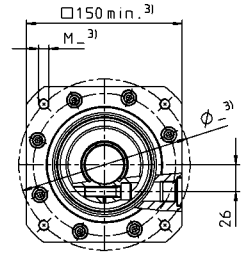
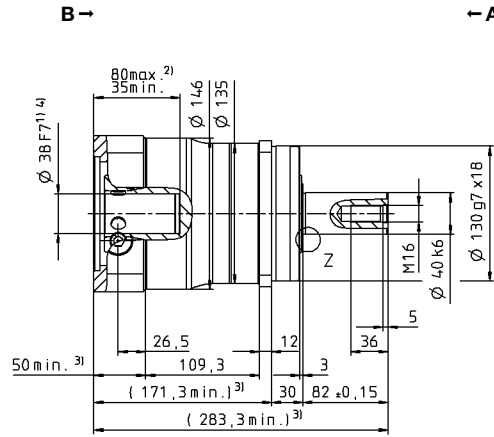
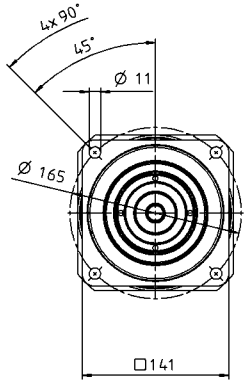
^{e)} Smooth shaft

View A

View B

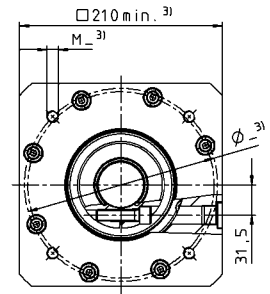
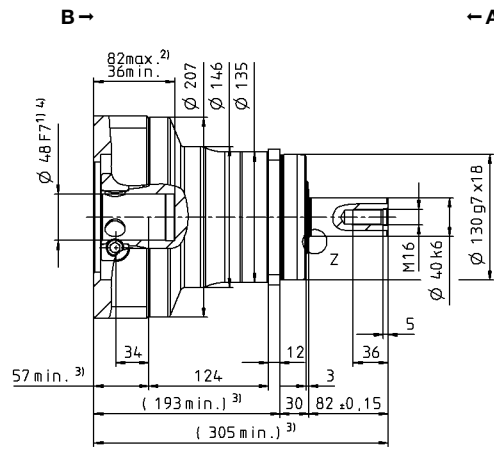
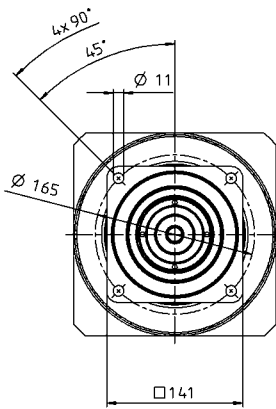
1-stage

up to 38⁴⁾ (K)⁵⁾
clamping hub diameter



Motor shaft diameter [mm]

up to 48⁴⁾ (M)
clamping hub diameter



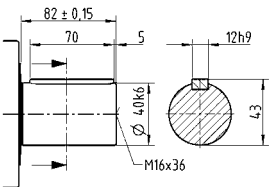
Planetary gearboxes

SP+

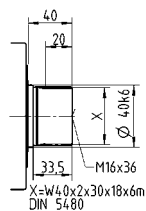
MC

Other output variants

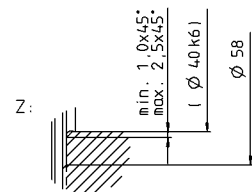
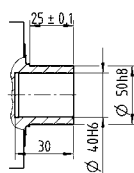
Shaft with key



Splined shaft (DIN 5480)



Shaft mounted



Non-tolerated dimensions are nominal dimensions

¹⁾ Check motor shaft fit

²⁾ Min./Max. permissible motor shaft length. Longer motor shafts are possible, please contact alpha.

³⁾ The dimensions depend on the motor

⁴⁾ Smaller motor shaft diameter is compensated by a bushing with a minimum thickness of 1 mm

⁵⁾ Standard clamping hub diameter

SP+ 140 MC 2-stage

			2-stage												
Ratio	<i>i</i>		16	20	25	28	32	35	40	50	64	70	100		
Max. torque ^{a) b) e)}	T_{2a}	Nm	480	480	480	480	480	480	480	480	380	480	380		
		in.lb	4248	4248	4248	4248	4248	4248	4248	4248	4248	3363	4248	3363	
Max. acceleration torque ^{b) e)} (max. 1000 cycles per hour)	T_{2B}	Nm	480	480	480	480	480	480	480	480	380	480	380		
		in.lb	4248	4248	4248	4248	4248	4248	4248	4248	4248	3363	4248	3363	
Nominal torque (at n_N)	T_{2N}	Nm	277	297	298	328	287	329	364	367	304	304	304		
		in.lb	2447	2629	2636	2900	2544	2915	3219	3250	2691	2690	2691		
Emergency stop torque ^{a) b) e)} (permitted 1000 times during the service life of the gearbox)	T_{2Not}	Nm	1350	1350	1350	1350	1350	1350	1350	1350	1250	1350	1250		
		in.lb	11949	11949	11949	11949	11949	11949	11949	11949	11064	11949	11064		
Permitted average input speed (at T_{2a} and 20 °C ambient temperature) ^{d)}	n_{1N}	rpm	4500	4500	4500	4500	4500	4500	4500	4500	4500	4500	4500		
Max. input speed	n_{1Max}	rpm	6000	6000	6000	6000	6000	6000	6000	6000	6000	6000	6000		
Mean no load running torque ^{b)} (at $n_1 = 3000$ rpm and 20 °C gearbox temperature)	T_{012}	Nm	1.1	1.0	0.96	0.80	0.72	0.60	0.55	0.45	0.45	0.40	0.40		
		in.lb	9.7	9.2	8.5	7.1	6.4	5.3	4.9	4.0	4.0	3.5	3.5		
Max. backlash	j_t	arcmin	Standard ≤ 6 / Reduced ≤ 4												
Torsional rigidity ^{b)}	C_{121}	Nm/arcmin	53												
		in.lb/arcmin	469												
Max. axial force ^{c)}	F_{2AMax}	N	9870												
		lb _f	2221												
Max. lateral force ^{c)}	F_{2QMax}	N	9900												
		lb _f	2228												
Max. tilting moment	M_{2KMax}	Nm	952												
		in.lb	8426												
Efficiency at full load	η	%	96.5												
Service life	L_h	h	> 30000												
Weight (incl. standard adapter plate)	m	kg	17												
		lb _m	37.6												
Operating noise (at reference ratio and reference speed – ratio-specific values available in cymex [®])	L_{pA}	dB(A)	≤ 59												
Max. permitted housing temperature		°C	+90												
		F	194												
Ambient temperature		°C	-15 to +40												
		F	5 to 104												
Lubrication			Lubricated for life												
Direction of rotation			In- and output same direction												
Protection class			IP 65												
Metal bellows coupling (recommended product type – validate sizing with cymex [®])			BC2-00500AA040.000-X												
Bore diameter of coupling on the application side		mm	X = 035.000 - 060.000												
Mass moment of inertia (relates to the drive) Clamping hub diameter [mm]	G	24	J_1	kgcm ²	3.19	2.71	2.67	2.34	1.65	2.32	2.10	2.08	2.08	2.08	2.07
				10 ⁻³ in.lb.s ²	2.82	2.40	2.36	2.07	1.46	2.05	1.86	1.84	1.84	1.84	1.83
	K	38	J_1	kgcm ²	10.3	9.77	9.73	9.41	2.34	9.39	9.16	9.15	1.39	9.14	9.14
				10 ⁻³ in.lb.s ²	9.07	8.65	8.61	8.33	2.07	8.31	8.11	8.10	1.23	8.09	8.09

Please use our sizing software cymex[®] for a detailed sizing – www.wittenstein-cymex.com

^{a)} At max. 10 % F_{2QMax}

^{b)} Valid for standard clamping hub diameter

^{c)} Refers to center of the output shaft or flange

^{d)} Please reduce input speed at higher ambient temperatures

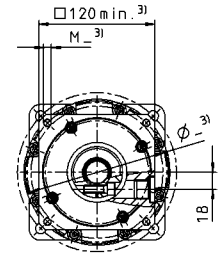
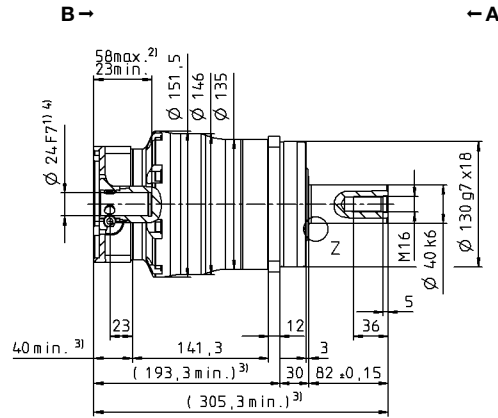
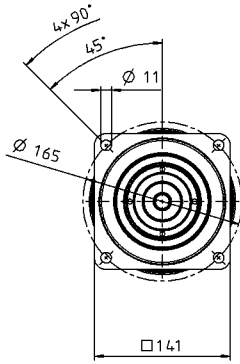
^{e)} Smooth shaft

View A

View B

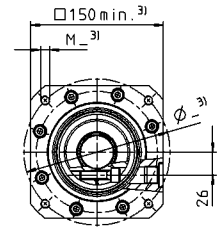
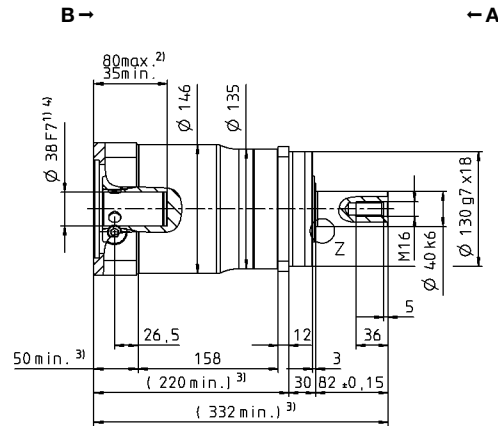
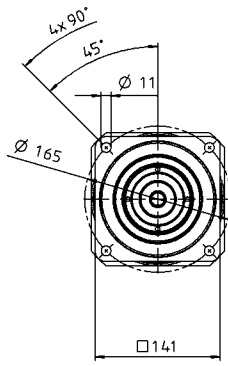
2-stage

up to 24⁴⁾ (G)⁵⁾
clamping hub diameter



Motor shaft diameter [mm]

up to 38⁴⁾ (K)
clamping hub diameter



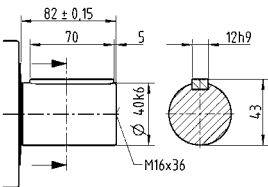
Planetary gearboxes

SP+

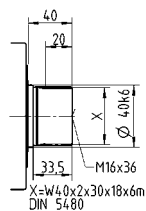
MC

Other output variants

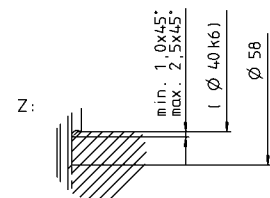
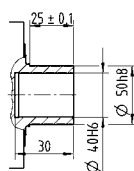
Shaft with key



Splined shaft (DIN 5480)



Shaft mounted



Non-tolerated dimensions are nominal dimensions

¹⁾ Check motor shaft fit

²⁾ Min./Max. permissible motor shaft length. Longer motor shafts are possible, please contact alpha.

³⁾ The dimensions depend on the motor

⁴⁾ Smaller motor shaft diameter is compensated by a bushing with a minimum thickness of 1 mm

⁵⁾ Standard clamping hub diameter

SP+ 180 MC 1-stage

			Standard version MC						Friction optimized version L						
Ratio	<i>i</i>		3	4	5	7	8	10	3	4	5	7	8	10	
Max. torque ^{a) b) e)}	T_{2a}	Nm	700	880	880	880	700	700	700	880	880	880	700	700	
		in.lb	6196	7789	7789	7789	6196	6196	6196	7789	7789	7789	6196	6196	
Max. acceleration torque ^{b) e)} (max. 1000 cycles per hour)	T_{2B}	Nm	700	880	880	880	700	700	700	880	880	880	700	700	
		in.lb	6196	7789	7789	7789	6196	6196	6196	7789	7789	7789	6196	6196	
Nominal torque (at n_{1N})	T_{2N}	Nm	289	492	379	469	465	488	289	492	379	469	465	488	
		in.lb	2554	4355	3357	4151	4117	4316	2554	4355	3357	4151	4117	4316	
Emergency stop torque ^{a) b) e)} (permitted 1000 times during the service life of the gearbox)	T_{2Not}	Nm	2640	2750	2750	2750	2640	2640	2640	2750	2750	2750	2640	2640	
		in.lb	23366	24340	24340	24340	23366	23366	23366	24340	24340	24340	23366	23366	
Permitted average input speed (at T_{2a} and 20 °C ambient temperature) ^{d)}	n_{1N}	rpm	3000	3500	4500	4500	4500	4500	3000	3500	4500	4500	4500	4500	
Max. input speed	n_{1Max}	rpm	4500	6000	6000	6000	6000	6000	4500	6000	6000	6000	6000	6000	
Mean no load running torque ^{b)} (at $n_1 = 3000$ rpm and 20 °C gearbox temperature)	T_{012}	Nm	9.8	8.2	6.6	4.4	4.4	3.2	3.8	3.0	2.3	1.8	1.7	1.6	
		in.lb	87	73	58	39	39	28	34	27	20	16	15	14	
Max. backlash	j_t	arcmin	Standard ≤ 4 / Reduced ≤ 2												
Torsional rigidity ^{b)}	C_{121}	Nm/arcmin	175												
		in.lb/arcmin	1549												
Max. axial force ^{c)}	F_{2AMax}	N	14150						5000						
		lb _f	3184						1125						
Max. lateral force ^{c)}	F_{2QMax}	N	15400						2000						
		lb _f	3465						450						
Max. tilting moment	M_{2KMax}	Nm	1600						208						
		in.lb	14161						1841						
Efficiency at full load	η	%	98.5						99						
Service life	L_h	h	> 30000												
Weight (incl. standard adapter plate)	m	kg	34												
		lb _m	75.1												
Operating noise (at reference ratio and reference speed – ratio-specific values available in cymex [®])	L_{pA}	dB(A)	≤ 62												
Max. permitted housing temperature		°C	+90												
		F	194												
Ambient temperature		°C	-15 to +40												
		F	5 to 104												
Lubrication			Lubricated for life												
Direction of rotation			In- and output same direction												
Protection class			IP 65						IP 52						
Metal bellows coupling (recommended product type – validate sizing with cymex [®])			BC2-00800AA055.000-X												
Bore diameter of coupling on the application side		mm	X = 040.000 - 075.000												
Mass moment of inertia (relates to the drive) Clamping hub diameter [mm]	M 48	J_1	kgcm ²	58.5	41.6	35.6	30.0	30.0	26.9	58.5	41.6	35.6	30.0	30.0	26.9
			10 ⁻³ in.lb.s ²	51.8	36.8	31.5	26.6	26.6	23.8	51.8	36.8	31.5	26.6	26.6	23.8

Please use our sizing software cymex[®] for a detailed sizing – www.wittenstein-cymex.com

^{a)} At max. 10 % F_{2QMax}

^{b)} Valid for standard clamping hub diameter

^{c)} Refers to center of the output shaft or flange

^{d)} Please reduce input speed at higher ambient temperatures

^{e)} Smooth shaft

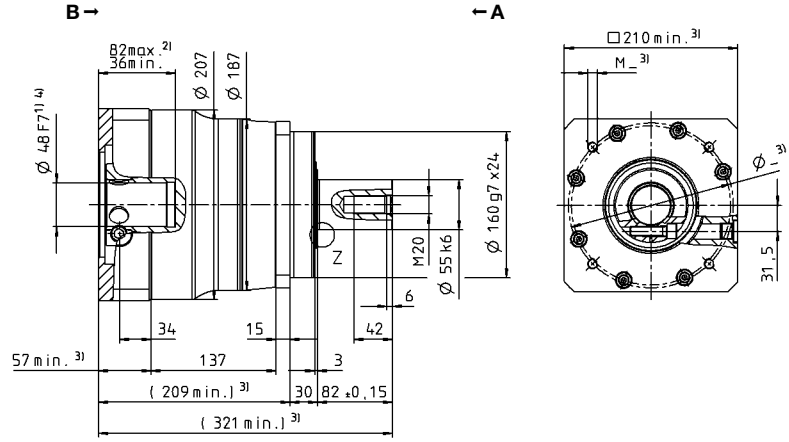
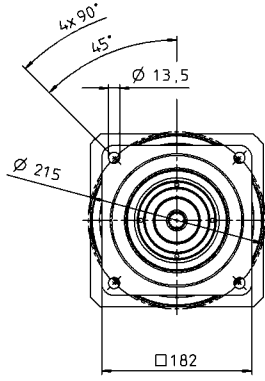
View A

View B

Motor shaft diameter [mm]

1-stage

up to 48⁴⁾ (M)⁵⁾
clamping hub diameter



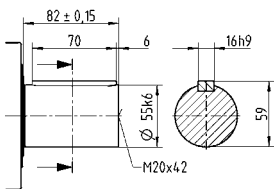
Planetary gearboxes

SP+

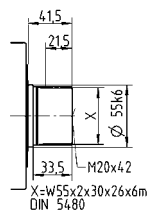
MC

Other output variants

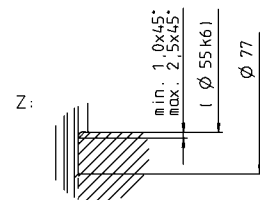
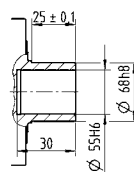
Shaft with key



Splined shaft (DIN 5480)



Shaft mounted



Non-tolerated dimensions are nominal dimensions

¹⁾ Check motor shaft fit

²⁾ Min./Max. permissible motor shaft length. Longer motor shafts are possible, please contact alpha.

³⁾ The dimensions depend on the motor

⁴⁾ Smaller motor shaft diameter is compensated by a bushing with a minimum thickness of 1 mm

⁵⁾ Standard clamping hub diameter

SP+ 180 MC 2-stage

				2-stage											
Ratio	<i>i</i>			16	20	25	28	32	35	40	50	64	70	100	
Max. torque ^{a) b) e)}	T_{2a}	<i>Nm</i>		880	880	880	880	880	880	880	880	700	880	700	
		<i>in.lb</i>		7789	7789	7789	7789	7789	7789	7789	7789	7789	6196	7789	6196
Max. acceleration torque ^{b) e)} (max. 1000 cycles per hour)	T_{2B}	<i>Nm</i>		880	880	880	880	880	880	880	880	700	880	700	
		<i>in.lb</i>		7789	7789	7789	7789	7789	7789	7789	7789	7789	6196	7789	6196
Nominal torque (at n_{1N})	T_{2N}	<i>Nm</i>		696	704	704	704	704	704	704	704	560	704	560	
		<i>in.lb</i>		6156	6231	6231	6231	6231	6231	6231	6231	6231	4956	6231	4956
Emergency stop torque ^{a) b) e)} (permitted 1000 times during the service life of the gearbox)	T_{2Not}	<i>Nm</i>		2750	2750	2750	2750	2750	2750	2750	2750	2640	2750	2640	
		<i>in.lb</i>		24340	24340	24340	24340	24340	24340	24340	24340	24340	23366	24340	23366
Permitted average input speed (at T_{2a} and 20 °C ambient temperature) ^{d)}	n_{1N}	<i>rpm</i>		4500	4500	4500	4500	4500	4500	4500	4500	4500	4500	4500	
Max. input speed	n_{1Max}	<i>rpm</i>		6000	6000	6000	6000	6000	6000	6000	6000	6000	6000	6000	
Mean no load running torque ^{b)} (at $n_1 = 3000$ rpm and 20 °C gearbox temperature)	T_{012}	<i>Nm</i>		2.2	2.3	1.8	1.7	1.7	1.4	1.2	1.2	1.2	0.95	1.0	
		<i>in.lb</i>		20	21	16	15	15	12	11	11	11	8.4	9.2	
Max. backlash	j_t	<i>arcmin</i>		Standard ≤ 6 / Reduced ≤ 4											
Torsional rigidity ^{b)}	C_{121}	<i>Nm/arcmin</i>		175											
		<i>in.lb/arcmin</i>		1549											
Max. axial force ^{c)}	F_{2AMax}	<i>N</i>		14150											
		<i>lb_f</i>		3184											
Max. lateral force ^{c)}	F_{2QMax}	<i>N</i>		15400											
		<i>lb_f</i>		3465											
Max. tilting moment	M_{2KMax}	<i>Nm</i>		1600											
		<i>in.lb</i>		14161											
Efficiency at full load	η	%		96.5											
Service life	L_h	<i>h</i>		> 30000											
Weight (incl. standard adapter plate)	<i>m</i>	<i>kg</i>		36.4											
		<i>lb_m</i>		80.4											
Operating noise (at reference ratio and reference speed – ratio-specific values available in cymex [®])	L_{pA}	<i>dB(A)</i>		≤ 58											
Max. permitted housing temperature		°C		+90											
		<i>F</i>		194											
Ambient temperature		°C		-15 to +40											
		<i>F</i>		5 to 104											
Lubrication				Lubricated for life											
Direction of rotation				In- and output same direction											
Protection class				IP 65											
Metal bellows coupling (recommended product type – validate sizing with cymex [®])				BC2-00800AA055.000-X											
Bore diameter of coupling on the application side		<i>mm</i>		X = 040.000 - 075.000											
Mass moment of inertia (relates to the drive) Clamping hub diameter [mm]	K	38	J_1	<i>kgcm²</i>	13.5	12.0	11.7	10.6	10.6	10.4	9.74	9.68	5.45	9.63	9.60
				<i>10⁻³ in.lb.s²</i>	12.0	10.6	10.4	9.34	9.34	9.23	8.62	8.57	4.82	8.52	8.50

Please use our sizing software cymex[®] for a detailed sizing – www.wittenstein-cymex.com

^{a)} At max. 10 % F_{2QMax}

^{b)} Valid for standard clamping hub diameter

^{c)} Refers to center of the output shaft or flange

^{d)} Please reduce input speed at higher ambient temperatures

^{e)} Smooth shaft

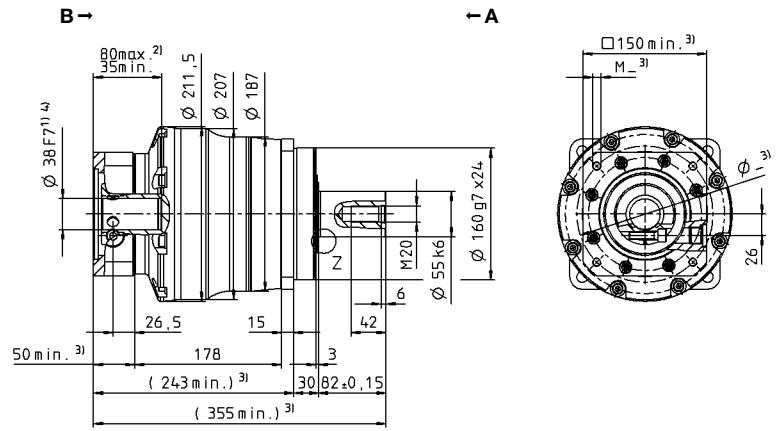
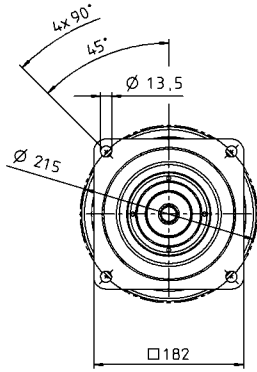
View A

View B

Motor shaft diameter [mm]

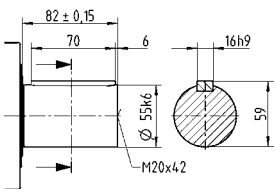
2-stage

up to 38⁴⁾ (K)⁵⁾
clamping hub diameter

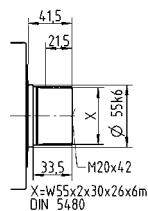


Other output variants

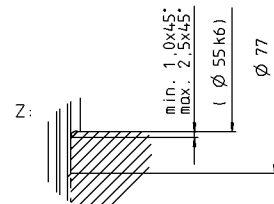
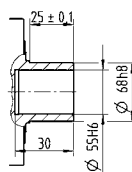
Shaft with key



Splined shaft (DIN 5480)



Shaft mounted



Non-tolerated dimensions are nominal dimensions

¹⁾ Check motor shaft fit

²⁾ Min./Max. permissible motor shaft length. Longer motor shafts are possible, please contact alpha.

³⁾ The dimensions depend on the motor

⁴⁾ Smaller motor shaft diameter is compensated by a bushing with a minimum thickness of 1 mm

⁵⁾ Standard clamping hub diameter

SP+ 210 MC 1-stage

			Standard version MC						Friction optimized version L							
Ratio	<i>i</i>		3	4	5	7	8	10	3	4	5	7	8	10		
Max. torque ^{a) b) e)}	T_{2a}	Nm	1200	2000	2000	1700	1200	1200	1200	2000	2000	1700	1200	1200		
		in.lb	10621	17702	17702	15046	10621	10621	10621	17702	17702	15046	10621	10621		
Max. acceleration torque ^{b) e)} (max. 1000 cycles per hour)	T_{2B}	Nm	1200	2000	2000	1700	1200	1200	1200	2000	2000	1700	1200	1200		
		in.lb	10621	17702	17702	15046	10621	10621	10621	17702	17702	15046	10621	10621		
Nominal torque (at n_{1N})	T_{2N}	Nm	960	1260	1141	1169	960	960	960	1260	1141	1169	960	960		
		in.lb	8497	11148	10098	10347	8497	8497	8497	11148	10098	10347	8497	8497		
Emergency stop torque ^{a) b) e)} (permitted 1000 times during the service life of the gearbox)	T_{2Not}	Nm	5900	5900	5900	5900	5900	5900	5900	5900	5900	5900	5900	5900		
		in.lb	52220	52220	52220	52220	52220	52220	52220	52220	52220	52220	52220	52220		
Permitted average input speed (at T_{2a} and 20 °C ambient temperature) ^{d)}	n_{1N}	rpm	2250	2500	3500	3500	3500	3500	2250	2500	3500	3500	3500			
Max. input speed	n_{1Max}	rpm	3400	6000	6000	6000	6000	6000	3400	6000	6000	6000	6000			
Mean no load running torque ^{b)} (at $n_1 = 2000$ rpm and 20 °C gearbox temperature)	T_{012}	Nm	12	11	8.4	5.6	5.6	4.4	5.5	4.9	4.6	4.0	3.8	3.6		
		in.lb	108	99	74	50	50	39	49	43	41	35	34	32		
Max. backlash	j_t	arcmin	Standard ≤ 4 / Reduced ≤ 2													
Torsional rigidity ^{b)}	C_{121}	Nm/arcmin	400													
		in.lb/arcmin	3540													
Max. axial force ^{c)}	F_{2AMax}	N	30000					8000								
		lb _f	6750					1800								
Max. lateral force ^{c)}	F_{2QMax}	N	21000					2500								
		lb _f	4725					563								
Max. tilting moment	M_{2KMax}	Nm	3100					310								
		in.lb	27437					2744								
Efficiency at full load	η	%	98.5					99								
Service life	L_h	h	> 30000													
Weight (incl. standard adapter plate)	m	kg	56													
		lb _m	123.8													
Operating noise (at reference ratio and reference speed – ratio-specific values available in cymex [®])	L_{pA}	dB(A)	≤ 64													
		°C	+90													
Max. permitted housing temperature	F	°C	+90													
		F	194													
Ambient temperature	F	°C	-15 to +40													
		F	5 to 104													
Lubrication			Lubricated for life													
Direction of rotation			In- and output same direction													
Protection class			IP 65					IP 52								
Metal bellows coupling (recommended product type – validate sizing with cymex [®])			BC2-04000AA075.000-X													
		Bore diameter of coupling on the application side	mm	X = 050.000 - 090.000												
Mass moment of inertia (relates to the drive) Clamping hub diameter [mm]	N	55	J_1	kgcm ²	139	94.3	76.9	61.5	61.5	53.1	139	94.3	76.9	61.5	61.5	53.1
				10 ⁻³ in.lb.s ²	123	83.5	68.1	54.4	54.4	47.0	123	83.5	68.1	54.4	54.4	47.0

Please use our sizing software cymex[®] for a detailed sizing – www.wittenstein-cymex.com

^{a)} At max. 10 % F_{2QMax}

^{b)} Valid for standard clamping hub diameter

^{c)} Refers to center of the output shaft or flange

^{d)} Please reduce input speed at higher ambient temperatures

^{e)} Smooth shaft

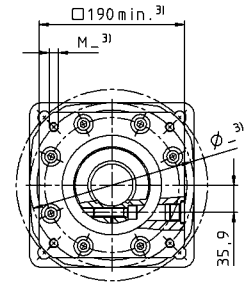
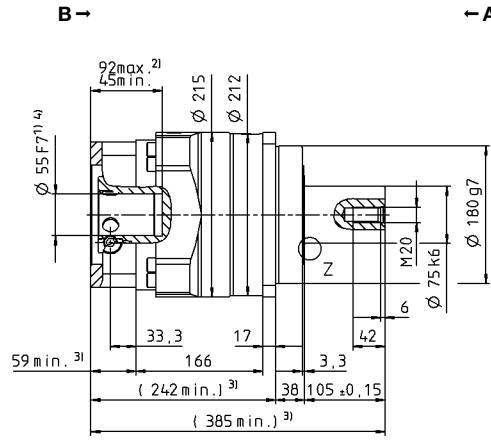
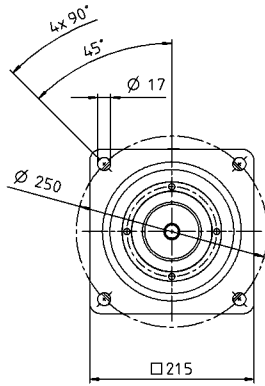
View A

View B

Motor shaft diameter [mm]

1-stage

up to 55⁴⁾ (N)⁵⁾
clamping hub diameter



Planetary gearboxes

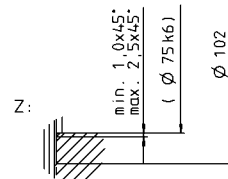
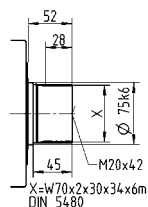
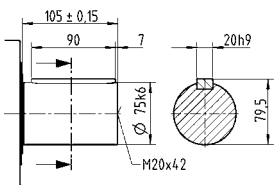
SP+

MC

Other output variants

Shaft with key

Splined shaft (DIN 5480)



Non-tolerated dimensions are nominal dimensions

¹⁾ Check motor shaft fit

²⁾ Min./Max. permissible motor shaft length. Longer motor shafts are possible, please contact alpha.

³⁾ The dimensions depend on the motor

⁴⁾ Smaller motor shaft diameter is compensated by a bushing with a minimum thickness of 1 mm

⁵⁾ Standard clamping hub diameter

SP+ 210 MC 2-stage

				2-stage											
Ratio	<i>i</i>			16	20	25	28	32	35	40	50	64	70	100	
Max. torque ^{a) b) e)}	T_{2a}	<i>Nm</i>		1680	1800	2000	1680	1680	1920	1040	1300	1200	1700	1200	
		<i>in.lb</i>		14869	15931	17702	14869	14869	16994	9205	11506	10621	15046	10621	
Max. acceleration torque ^{b) e)} (max. 1000 cycles per hour)	T_{2B}	<i>Nm</i>		1680	1800	2000	1680	1680	1920	1040	1300	1200	1700	1200	
		<i>in.lb</i>		14869	15931	17702	14869	14869	16994	9205	11506	10621	15046	10621	
Nominal torque (at n_{1N})	T_{2N}	<i>Nm</i>		898	728	910	744	1344	929	787	984	960	1360	960	
		<i>in.lb</i>		7949	6445	8056	6581	11895	8226	6969	8711	8497	12037	8497	
Emergency stop torque ^{a) b) e)} (permitted 1000 times during the service life of the gearbox)	T_{2Not}	<i>Nm</i>		5900	5900	5900	5900	5900	5900	5900	5900	5900	5900	5900	
		<i>in.lb</i>		52220	52220	52220	52220	52220	52220	52220	52220	52220	52220	52220	
Permitted average input speed (at T_{2a} and 20 °C ambient temperature) ^{d)}	n_{1N}	<i>rpm</i>		3500	4500	4500	4500	4500	4500	4500	4500	4500	4500	4500	
Max. input speed	n_{1Max}	<i>rpm</i>		6000	6000	6000	6000	6000	6000	6000	6000	6000	6000	6000	
Mean no load running torque ^{b)} (at $n_1 = 2000$ rpm and 20 °C gearbox temperature)	T_{012}	<i>Nm</i>		3.4	3.1	2.9	2.6	2.6	2.0	2.0	1.8	1.8	1.6	1.6	
		<i>in.lb</i>		30	27	25	23	23	18	18	16	16	14	14	
Max. backlash	j_t	<i>arcmin</i>		Standard ≤ 5 / Reduced ≤ 4											
Torsional rigidity ^{b)}	C_{121}	<i>Nm/arcmin</i>		400											
		<i>in.lb/arcmin</i>		3540											
Max. axial force ^{c)}	F_{2AMax}	<i>N</i>		30000											
		<i>lb_f</i>		6750											
Max. lateral force ^{c)}	F_{2QMax}	<i>N</i>		21000											
		<i>lb_f</i>		4725											
Max. tilting moment	M_{2KMax}	<i>Nm</i>		3100											
		<i>in.lb</i>		27437											
Efficiency at full load	η	%		96.5											
Service life	L_h	<i>h</i>		> 30000											
Weight (incl. standard adapter plate)	<i>m</i>	<i>kg</i>		53											
		<i>lb_m</i>		117.1											
Operating noise (at reference ratio and reference speed – ratio-specific values available in cymex [®])	L_{pA}	<i>dB(A)</i>		≤ 57											
Max. permitted housing temperature		°C		+90											
		<i>F</i>		194											
Ambient temperature		°C		-15 to +40											
		<i>F</i>		5 to 104											
Lubrication				Lubricated for life											
Direction of rotation				In- and output same direction											
Protection class				IP 65											
Metal bellows coupling (recommended product type – validate sizing with cymex [®])				BC2-04000AA075.000-X											
Bore diameter of coupling on the application side		<i>mm</i>		X = 050.000 - 090.000											
Mass moment of inertia (relates to the drive) Clamping hub diameter [mm]	M	48	J_1	<i>kgcm²</i>	34.5	31.5	30.8	30.0	30.0	29.7	28.5	28.3	28.3	28.1	28.0
				<i>10⁻³ in.lb.s²</i>	30.5	27.9	27.3	26.6	26.6	26.3	25.2	25.0	25.0	24.9	24.8

Please use our sizing software cymex[®] for a detailed sizing – www.wittenstein-cymex.com

- ^{a)} At max. 10 % F_{2QMax}
- ^{b)} Valid for standard clamping hub diameter
- ^{c)} Refers to center of the output shaft or flange
- ^{d)} Please reduce input speed at higher ambient temperatures
- ^{e)} Smooth shaft

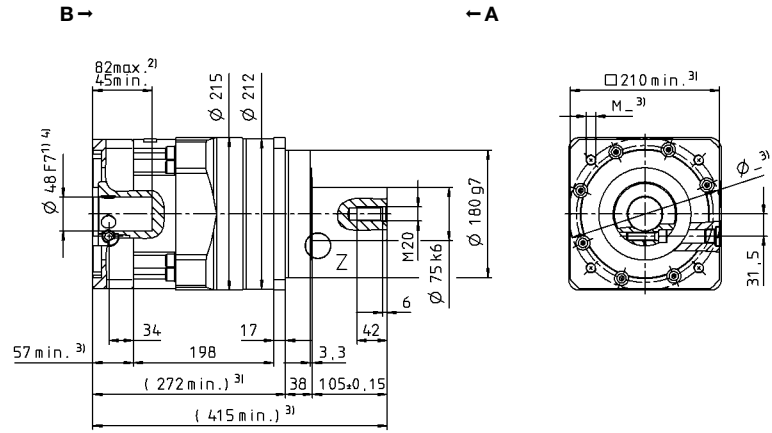
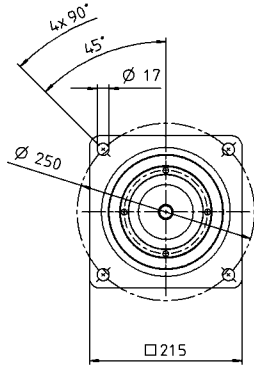
View A

View B

Motor shaft diameter [mm]

2-stage

up to 48 ⁴⁾ (M) ⁵⁾
clamping hub diameter



Planetary gearboxes

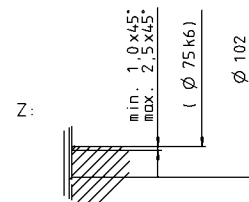
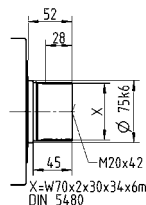
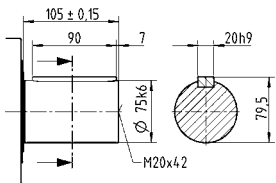
SP+

MC

Other output variants

Shaft with key

Splined shaft (DIN 5480)



Non-tolerated dimensions are nominal dimensions

¹⁾ Check motor shaft fit

²⁾ Min./Max. permissible motor shaft length. Longer motor shafts are possible, please contact alpha.

³⁾ The dimensions depend on the motor

⁴⁾ Smaller motor shaft diameter is compensated by a bushing with a minimum thickness of 1 mm

⁵⁾ Standard clamping hub diameter

SP+ 240 MC 1-stage

			Standard version MC						Friction optimized version L						
Ratio	<i>i</i>		3	4	5	7	8	10	3	4	5	7	8	10	
Max. torque ^{a) b) e)}	T_{2a}	Nm	1750	3500	3600	2700	1800	1800	1750	3500	3600	2700	1800	1800	
		in.lb	15489	30978	31863	23897	15931	15931	15489	30978	31863	23897	15931	15931	
Max. acceleration torque ^{b) e)} (max. 1000 cycles per hour)	T_{2B}	Nm	1750	3500	3600	2700	1800	1800	1750	3500	3600	2700	1800	1800	
		in.lb	15489	30978	31863	23897	15931	15931	15489	30978	31863	23897	15931	15931	
Nominal torque (at n_{2N})	T_{2N}	Nm	1400	2029	1861	1910	1440	1440	1400	2029	1861	1910	1440	1440	
		in.lb	12391	17955	16471	16909	12745	12745	12391	17955	16471	16909	12745	12745	
Emergency stop torque ^{a) b) e)} (permitted 1000 times during the service life of the gearbox)	T_{2Not}	Nm	6850	8500	8500	8500	6850	6850	6850	8500	8500	8500	6850	6850	
		in.lb	60628	75232	75232	75232	60628	60628	60628	75232	75232	75232	60628	60628	
Permitted average input speed (at T_{2a} and 20 °C ambient temperature) ^{d)}	n_{1N}	rpm	1750	2250	3000	3000	3000	3000	1750	2250	3000	3000	3000	3000	
Max. input speed	n_{1Max}	rpm	3400	4000	5000	5000	5000	5000	3400	4000	5000	5000	5000	5000	
Mean no load running torque ^{b)} (at $n_1 = 2000$ rpm and 20 °C gearbox temperature)	T_{012}	Nm	18	16	12	8.6	8.6	5.8	8.0	7.0	6.0	5.0	4.8	4.2	
		in.lb	159	141	107	77	77	51	71	62	53	44	43	37	
Max. backlash	j_t	arcmin	Standard ≤ 4 / Reduced ≤ 2												
Torsional rigidity ^{b)}	C_{121}	Nm/arcmin	550												
		in.lb/arcmin	4868												
Max. axial force ^{c)}	F_{2AMax}	N	33000						10000						
		lb _f	7425						2250						
Max. lateral force ^{c)}	F_{2QMax}	N	30000						2000						
		lb _f	6750						450						
Max. tilting moment	M_{2KMax}	Nm	5000						280						
		in.lb	44254						2478						
Efficiency at full load	η	%	98.5						99						
Service life	L_h	h	> 30000												
Weight (incl. standard adapter plate)	m	kg	77												
		lb _m	170.2												
Operating noise (at reference ratio and reference speed – ratio-specific values available in cymex [®])	L_{pA}	dB(A)	≤ 66												
Max. permitted housing temperature		°C	+90												
		F	194												
Ambient temperature		°C	-15 to +40												
		F	5 to 104												
Lubrication			Lubricated for life												
Direction of rotation			In- and output same direction												
Protection class			IP 65						IP 52						
Metal bellows coupling (recommended product type – validate sizing with cymex [®])			BC2-04000AA085.000-X												
Bore diameter of coupling on the application side		mm	X = 050.000 - 090.000												
Mass moment of inertia (relates to the drive) Clamping hub diameter [mm]	O 60	J_1	kgcm ²	260	198	163	138	138	125	260	198	163	138	138	125
			10 ⁻³ in.lb.s ²	230	175	144	122	122	110	230	175	144	122	122	110

Please use our sizing software cymex[®] for a detailed sizing – www.wittenstein-cymex.com

- ^{a)} At max. 10 % F_{2QMax}
- ^{b)} Valid for standard clamping hub diameter
- ^{c)} Refers to center of the output shaft or flange
- ^{d)} Please reduce input speed at higher ambient temperatures
- ^{e)} Smooth shaft

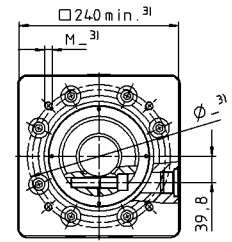
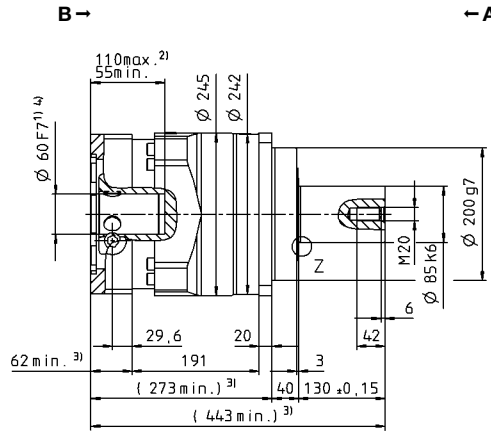
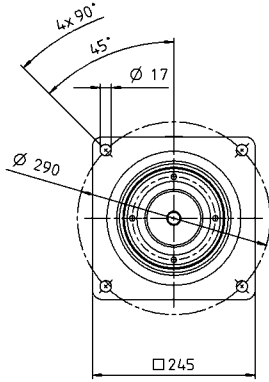
View A

View B

Motor shaft diameter [mm]

1-stage

up to 60⁴⁾ (O)⁵⁾
clamping hub diameter



Planetary gearboxes

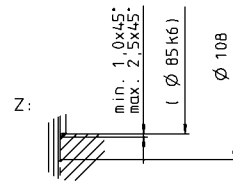
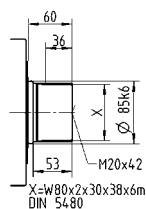
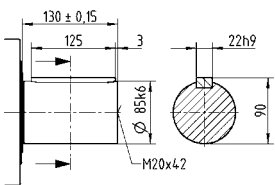
SP+

MC

Other output variants

Shaft with key

Splined shaft (DIN 5480)



Non-tolerated dimensions are nominal dimensions

¹⁾ Check motor shaft fit

²⁾ Min./Max. permissible motor shaft length. Longer motor shafts are possible, please contact alpha.

³⁾ The dimensions depend on the motor

⁴⁾ Smaller motor shaft diameter is compensated by a bushing with a minimum thickness of 1 mm

⁵⁾ Standard clamping hub diameter

SP+ 240 MC 2-stage

				2-stage											
Ratio	<i>i</i>			16	20	25	28	32	35	40	50	64	70	100	
Max. torque ^{a) b) e)}	T_{2a}	<i>Nm</i>		3500	3500	3600	2900	2900	3600	1680	2100	1800	2700	1800	
		<i>in.lb</i>		30978	30978	31863	25667	25667	31863	14869	18587	15931	23897	15931	
Max. acceleration torque ^{b) e)} (max. 1000 cycles per hour)	T_{2B}	<i>Nm</i>		3500	3500	3600	2900	2900	3600	1680	2100	1800	2700	1800	
		<i>in.lb</i>		30978	30978	31863	25667	25667	31863	14869	18587	15931	23897	15931	
Nominal torque (at n_{1N})	T_{2N}	<i>Nm</i>		1950	1803	2266	1867	2320	2694	1344	1680	1440	2160	1440	
		<i>in.lb</i>		17255	15960	20058	16521	20534	23843	11895	14869	12745	19118	12745	
Emergency stop torque ^{a) b) e)} (permitted 1000 times during the service life of the gearbox)	T_{2Not}	<i>Nm</i>		8500	8500	8500	8500	8500	8500	8500	8500	6850	8500	6850	
		<i>in.lb</i>		75232	75232	75232	75232	75232	75232	75232	75232	75232	60628	75232	60628
Permitted average input speed (at T_{2a} and 20 °C ambient temperature) ^{d)}	n_{1N}	<i>rpm</i>		3500	4500	4500	4500	4500	4500	4500	4500	4500	4500	4500	
Max. input speed	n_{1Max}	<i>rpm</i>		6000	6000	6000	6000	6000	6000	6000	6000	6000	6000	6000	
Mean no load running torque ^{b)} (at $n_1 = 2000$ rpm and 20 °C gearbox temperature)	T_{012}	<i>Nm</i>		4.8	4.4	4.0	3.6	3.6	2.8	2.4	2.0	2.0	1.6	1.4	
		<i>in.lb</i>		43	39	35	32	32	25	21	18	18	14	13	
Max. backlash	j_t	<i>arcmin</i>		Standard ≤ 5 / Reduced ≤ 4											
Torsional rigidity ^{b)}	C_{121}	<i>Nm/arcmin</i>		550											
		<i>in.lb/arcmin</i>		4868											
Max. axial force ^{c)}	F_{2AMax}	<i>N</i>		33000											
		<i>lb_f</i>		7425											
Max. lateral force ^{c)}	F_{2QMax}	<i>N</i>		30000											
		<i>lb_f</i>		6750											
Max. tilting moment	M_{2KMax}	<i>Nm</i>		5000											
		<i>in.lb</i>		44254											
Efficiency at full load	η	%		96.5											
Service life	L_h	<i>h</i>		> 30000											
Weight (incl. standard adapter plate)	<i>m</i>	<i>kg</i>		76											
		<i>lb_m</i>		168.0											
Operating noise (at reference ratio and reference speed – ratio-specific values available in cymex [®])	L_{pA}	<i>dB(A)</i>		≤ 58											
Max. permitted housing temperature		°C		+90											
		<i>F</i>		194											
Ambient temperature		°C		-15 to +40											
		<i>F</i>		5 to 104											
Lubrication				Lubricated for life											
Direction of rotation				In- and output same direction											
Protection class				IP 65											
Metal bellows coupling (recommended product type – validate sizing with cymex [®])				BC2-04000AA085.000-X											
Bore diameter of coupling on the application side		<i>mm</i>		X = 050.000 - 090.000											
Mass moment of inertia (relates to the drive) Clamping hub diameter [mm]	M	48	J_1	<i>kgcm²</i>	34.5	31.5	30.8	30.0	30.0	29.7	28.5	28.3	28.3	28.1	28.0
				<i>10⁻³ in.lb.s²</i>	30.5	27.9	27.3	26.6	26.6	26.3	25.2	25.1	25.1	24.9	24.8

Please use our sizing software cymex[®] for a detailed sizing – www.wittenstein-cymex.com

- ^{a)} At max. 10 % F_{2QMax}
- ^{b)} Valid for standard clamping hub diameter
- ^{c)} Refers to center of the output shaft or flange
- ^{d)} Please reduce input speed at higher ambient temperatures
- ^{e)} Smooth shaft

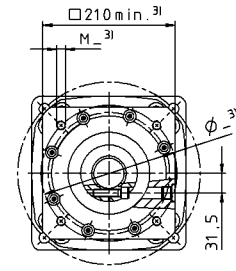
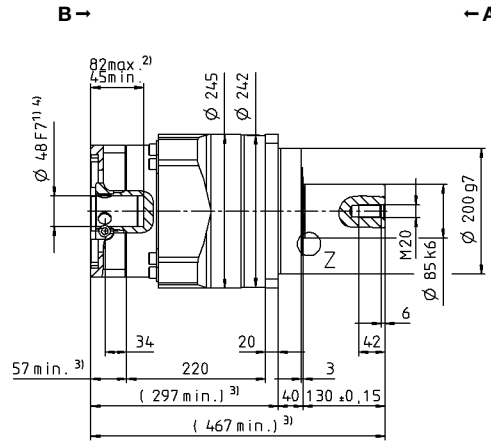
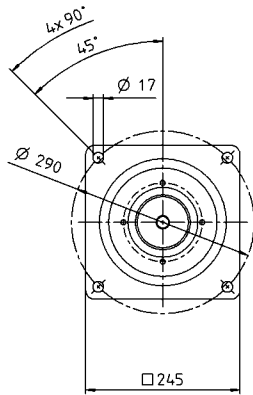
View A

View B

Motor shaft diameter [mm]

2-stage

up to 48⁴⁾ (M)⁵⁾
clamping hub diameter



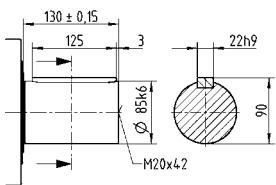
Planetary gearboxes

SP+

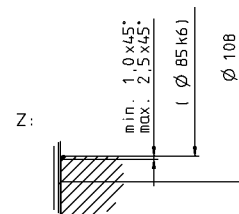
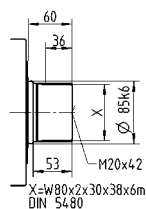
MC

Other output variants

Shaft with key



Splined shaft (DIN 5480)



Non-tolerated dimensions are nominal dimensions

¹⁾ Check motor shaft fit

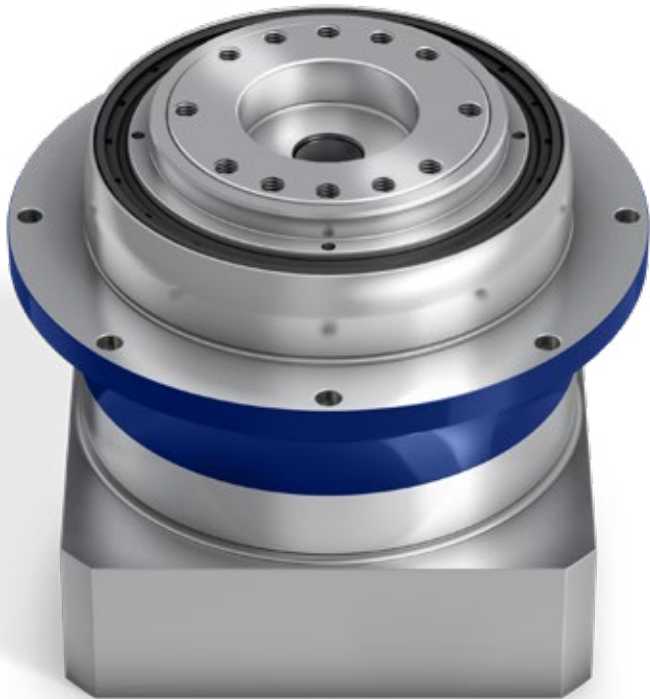
²⁾ Min./Max. permissible motor shaft length. Longer motor shafts are possible, please contact alpha.

³⁾ The dimensions depend on the motor

⁴⁾ Smaller motor shaft diameter is compensated by a bushing with a minimum thickness of 1 mm

⁵⁾ Standard clamping hub diameter

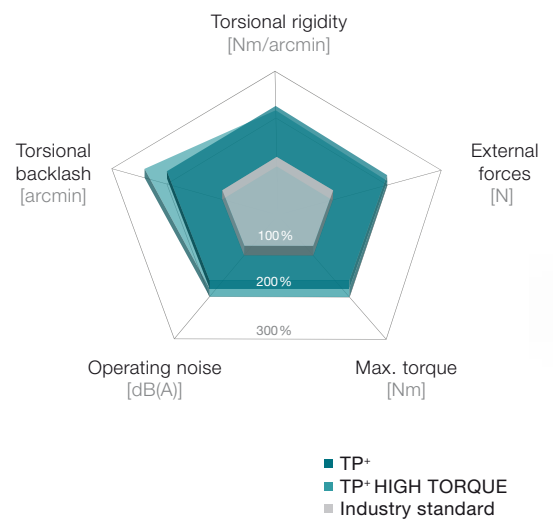
TP+ / TP+ HIGH TORQUE – Compact precision



TP+

Compact top performers with output flange. The standard version is ideally suited for high positioning accuracy and highly dynamic cyclic operation. The TP+ HIGH TORQUE is particularly appropriate for high-precision applications in which high torsional rigidity is required.

TP+ compared to the industry standard



Product highlights

Max. torsional backlash [arcmin] ≤ 1 – 4

High torsional rigidity

Space-saving design

Flexible drive options

Clamping hub socket, optimized mass inertia, keyed clamping hub socket

Other gearbox models

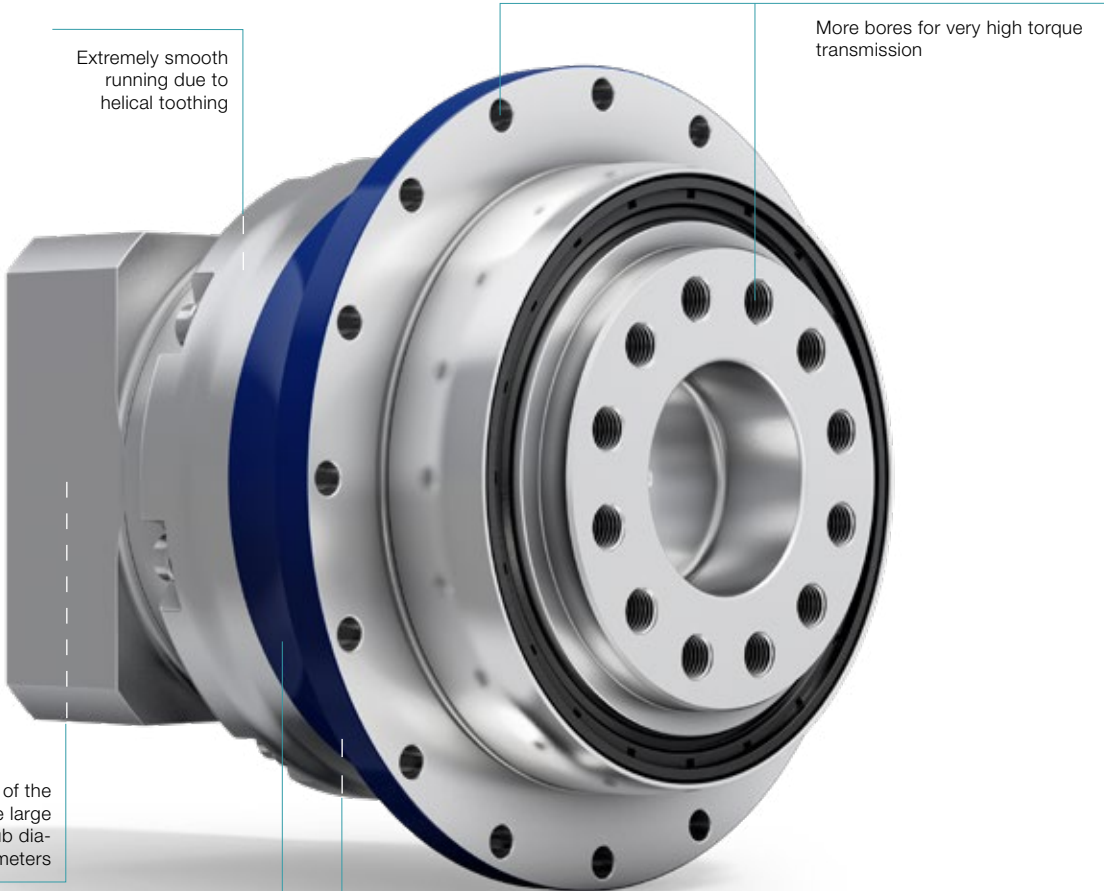
Corrosion resistant design, food-grade lubrication



TP+ 2000 / 4000



TP+ in corrosion resistant design



Extremely smooth running due to helical tooting

More bores for very high torque transmission

Connectivity of the motor shafts due to the large number of clamping hub diameters

Very high torque density due to superior tooting concept

TP+ HIGH TORQUE

Tapered roller bearing for absorbing axial and radial forces



TP+ HIGH TORQUE with rack and pinion



premo® TP Line

TP+ 004 MF 1-stage

			1-stage						
Ratio	<i>i</i>		4	5	7	8	10		
Max. torque ^{a) b)}	T_{2a}	Nm	83	83	83	56	56		
		in.lb	735	735	735	496	496		
Max. acceleration torque ^{b)} (max. 1000 cycles per hour)	T_{2B}	Nm	66	66	66	42	42		
		in.lb	584	584	584	372	372		
Nominal torque (at n_n)	T_{2N}	Nm	27	27	26	26	27		
		in.lb	239	236	226	230	237		
Emergency stop torque ^{a) b)} (permitted 1000 times during the service life of the gearbox)	T_{2Not}	Nm	100	100	100	100	100		
		in.lb	885	885	885	885	885		
Permitted average input speed (at T_{2a} and 20 °C ambient temperature) ^{d)}	n_{1N}	rpm	3300	3300	4000	4000	4000		
Max. input speed	n_{1Max}	rpm	7500	7500	7500	7500	7500		
Mean no load running torque ^{b)} (at $n_i = 3000$ rpm and 20 °C gearbox temperature)	T_{012}	Nm	0.56	0.48	0.37	0.37	0.31		
		in.lb	5.0	4.2	3.3	3.3	2.7		
Max. backlash	j_t	arcmin	Standard ≤ 4 / Reduced ≤ 2						
Torsional rigidity ^{b)}	C_{t21}	Nm/arcmin	12	12	11	8	8		
		in.lb/arcmin	106	106	97	71	71		
Tilting rigidity	C_{2K}	Nm/arcmin	85						
		in.lb/arcmin	752						
Max. axial force ^{c)}	F_{2AMax}	N	2119						
		lb _f	477						
Max. tilting moment	M_{2KMax}	Nm	110						
		in.lb	974						
Efficiency at full load	η	%	97						
Service life	L_h	h	> 20000						
Weight (incl. standard adapter plate)	m	kg	1.4						
		lb _m	3.1						
Operating noise (at reference ratio and reference speed – ratio-specific values available in cymex [®])	L_{PA}	dB(A)	≤ 55						
			+90						
Max. permitted housing temperature		°C	+90						
		F	194						
Ambient temperature		°C	-15 to +40						
		F	5 to 104						
Lubrication			Lubricated for life						
Direction of rotation			In- and output same direction						
Protection class			IP 65						
Metal bellows coupling (recommended product type – validate sizing with cymex [®])			BCT-00015AAX-031.500						
Bore diameter of coupling on the application side		mm	X = 012.000 - 028.000						
Mass moment of inertia (relates to the drive) Clamping hub diameter [mm] Optimized mass inertia version available on request	B	11	J_1	kgcm ²	0.17	0.14	0.11	0.11	0.09
				10 ⁻³ in.lb.s ²	0.15	0.12	0.10	0.10	0.08
	C	14	J_1	kgcm ²	0.25	0.21	0.18	0.18	0.17
				10 ⁻³ in.lb.s ²	0.22	0.19	0.16	0.16	0.15
	E	19	J_1	kgcm ²	0.57	0.54	0.51	0.51	0.49
				10 ⁻³ in.lb.s ²	0.50	0.48	0.45	0.45	0.43

Please use our sizing software cymex[®] for a detailed sizing – www.wittenstein-cymex.com

^{a)} At max. 10 % M_{2KMax}

^{b)} Valid for standard clamping hub diameter

^{c)} Refers to center of the output shaft or flange

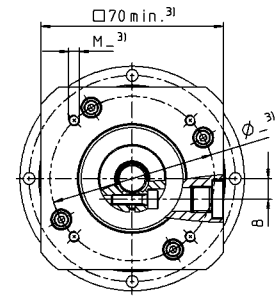
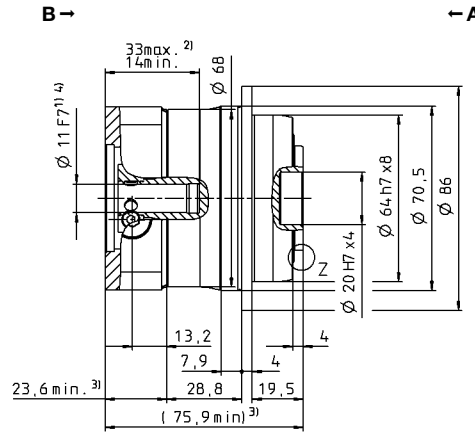
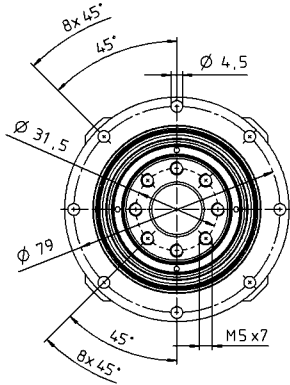
^{d)} Please reduce input speed at higher ambient temperatures

View A

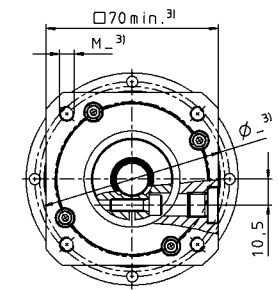
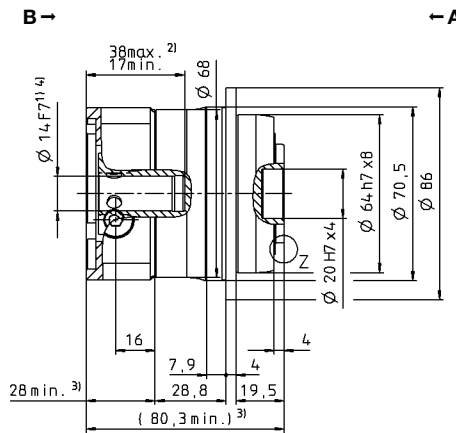
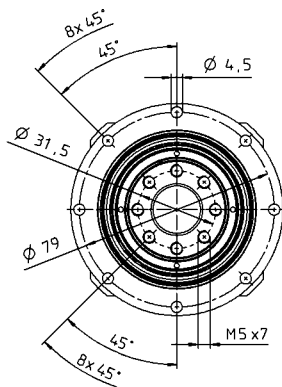
View B

1-stage

up to 11⁴⁾ (B)
clamping hub diameter

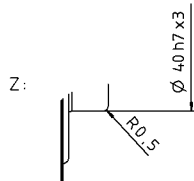
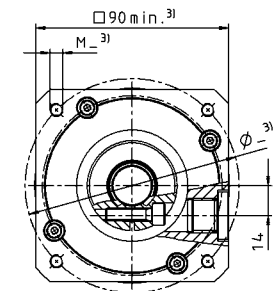
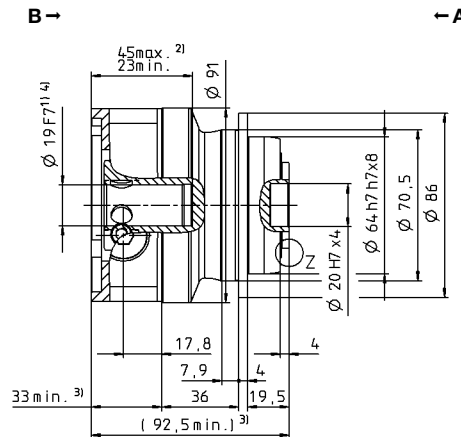
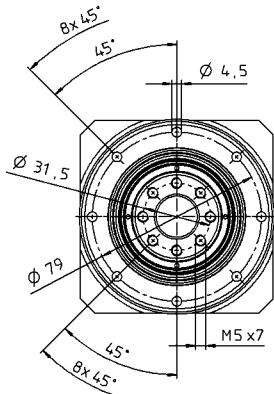


up to 14⁴⁾ (C)⁵⁾
clamping hub diameter



Motor shaft diameter [mm]

up to 19⁴⁾ (E)
clamping hub diameter



Planetary gearboxes

TP⁺
MF

Non-tolerated dimensions are nominal dimensions

¹⁾ Check motor shaft fit

²⁾ Min./Max. permissible motor shaft length. Longer motor shafts are possible, please contact alpha.

³⁾ The dimensions depend on the motor

⁴⁾ Smaller motor shaft diameter is compensated by a bushing with a minimum thickness of 1 mm

⁵⁾ Standard clamping hub diameter

TP+ 004 MF 2-stage

			2-stage																
Ratio	<i>i</i>		16	20	21	25	28	31	32	35	40	50	61	64	70	91	100		
Max. torque ^{a) b)}	T_{2a}	Nm	57	57	60	72	57	50	57	72	57	72	49	48	56	43	48		
		in.lb	507	507	533	634	507	442	507	634	507	634	435	423	499	385	423		
Max. acceleration torque ^{b)} (max. 1000 cycles per hour)	T_{2B}	Nm	57	57	48	66	57	48	57	66	57	66	49	42	56	38	42		
		in.lb	507	507	425	584	504	425	507	584	507	584	434	372	496	336	372		
Nominal torque (at n_n)	T_{2N}	Nm	39	41	32	41	45	36	39	45	46	48	39	34	45	31	34		
		in.lb	342	365	286	361	403	320	343	399	406	421	341	297	399	272	297		
Emergency stop torque ^{a) b)} (permitted 1000 times during the service life of the gearbox)	T_{2Not}	Nm	100	100	100	100	100	100	100	100	100	100	100	100	100	100	100		
		in.lb	885	885	885	885	885	885	885	885	885	885	885	885	885	885	885		
Permitted average input speed (at T_{2a} and 20 °C ambient temperature) ^{d)}	n_{1N}	rpm	4000	4000	4000	4000	4000	4000	4000	4000	4000	4800	5500	4800	5500	5500	5500		
Max. input speed	n_{1Max}	rpm	7500	7500	7500	7500	7500	7500	7500	7500	7500	7500	7500	7500	7500	7500	7500		
Mean no load running torque ^{b)} (at $n_1 = 3000$ rpm and 20 °C gearbox temperature)	T_{012}	Nm	0.28	0.23	0.24	0.22	0.21	0.22	0.21	0.17	0.18	0.17	0.16	0.17	0.17	0.15	0.16		
		in.lb	2.5	2.0	2.1	1.9	1.9	1.9	1.9	1.5	1.6	1.5	1.4	1.5	1.5	1.3	1.4		
Max. backlash	j_t	arcmin	Standard ≤ 4 / Reduced ≤ 2																
Torsional rigidity ^{b)}	C_{t21}	Nm/arcmin	12	12	10	12	12	9	12	12	11	12	9	12	11	7	8		
		in.lb/arcmin	106	106	89	106	106	80	106	106	97	106	80	106	97	62	71		
Tilting rigidity	C_{2K}	Nm/arcmin	85																
		in.lb/arcmin	752																
Max. axial force ^{c)}	F_{2AMax}	N	2119																
		lb _f	477																
Max. tilting moment	M_{2KMax}	Nm	110																
		in.lb	974																
Efficiency at full load	η	%	94																
Service life	L_h	h	> 20000																
Weight (incl. standard adapter plate)	m	kg	1.5																
		lb _m	3.3																
Operating noise (at reference ratio and reference speed – ratio-specific values available in cymex [®])	L_{PA}	dB(A)	≤ 54																
Max. permitted housing temperature		°C	+90																
		F	194																
Ambient temperature		°C	-15 to +40																
		F	5 to 104																
Lubrication			Lubricated for life																
Direction of rotation			In- and output same direction																
Protection class			IP 65																
Metal bellows coupling (recommended product type – validate sizing with cymex [®])			BCT-00015AAX-031.500																
Bore diameter of coupling on the application side		mm	X = 012.000 - 028.000																
Mass moment of inertia (relates to the drive) Clamping hub diameter [mm] Optimized mass inertia version available on request	B	11	J_1	kgcm ²	0.078	0.070	0.074	0.068	0.062	0.072	0.062	0.061	0.057	0.057	0.058	0.060	0.056	0.057	0.056
				10 ⁻³ in.lb.s ²	0.069	0.062	0.065	0.060	0.055	0.064	0.055	0.054	0.050	0.050	0.051	0.053	0.050	0.050	0.050
	C	14	J_1	kgcm ²	0.17	0.17	0.17	0.16	0.16	0.17	0.16	0.16	0.15	0.15	0.15	0.16	0.15	0.15	0.15
				10 ⁻³ in.lb.s ²	0.15	0.15	0.15	0.15	0.14	0.15	0.14	0.14	0.14	0.14	0.14	0.14	0.14	0.13	0.14

Please use our sizing software cymex[®] for a detailed sizing – www.wittenstein-cymex.com

^{a)} At max. 10 % M_{2KMax}

^{b)} Valid for standard clamping hub diameter

^{c)} Refers to center of the output shaft or flange

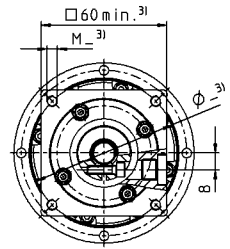
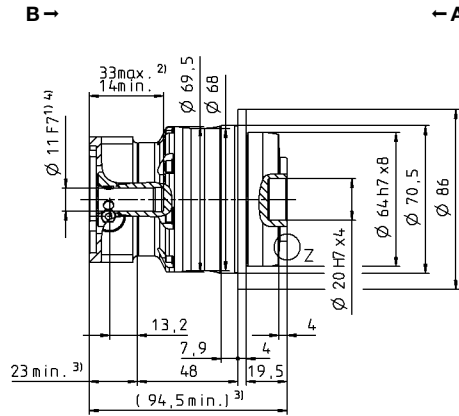
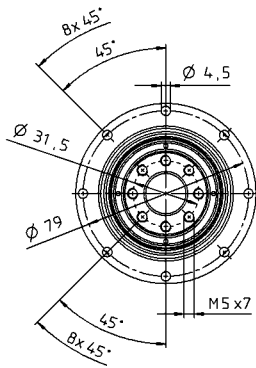
^{d)} Please reduce input speed at higher ambient temperatures

View A

View B

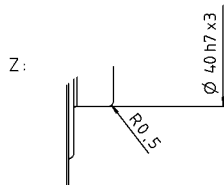
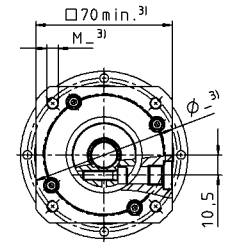
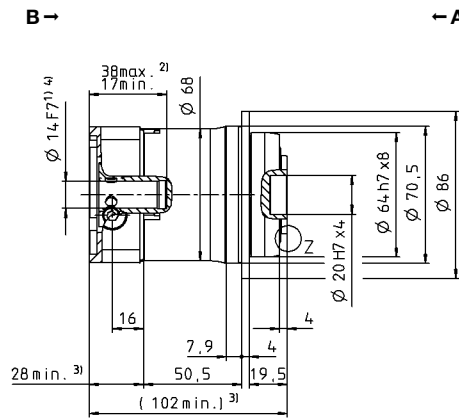
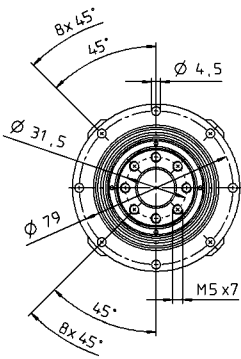
2-stage

up to 11⁴⁾ (B)⁵⁾
clamping hub diameter



Motor shaft diameter [mm]

up to 14⁴⁾ (C)
clamping hub diameter



Planetary gearboxes

TP+

MF

Non-tolerated dimensions are nominal dimensions

¹⁾ Check motor shaft fit

²⁾ Min./Max. permissible motor shaft length. Longer motor shafts are possible, please contact alpha.

³⁾ The dimensions depend on the motor

⁴⁾ Smaller motor shaft diameter is compensated by a bushing with a minimum thickness of 1 mm

⁵⁾ Standard clamping hub diameter

TP+ 010 MF 1-stage

			1-stage						
Ratio	<i>i</i>		4	5	7	8	10		
Max. torque ^{a) b)}	T_{2a}	Nm	185	210	210	168	168		
		in.lb	1640	1859	1859	1487	1487		
Max. acceleration torque ^{b)} (max. 1000 cycles per hour)	T_{2B}	Nm	172	172	172	126	126		
		in.lb	1522	1522	1522	1115	1115		
Nominal torque (at n_n)	T_{2N}	Nm	84	81	81	80	81		
		in.lb	743	716	719	712	720		
Emergency stop torque ^{a) b)} (permitted 1000 times during the service life of the gearbox)	T_{2Not}	Nm	250	250	251	251	251		
		in.lb	2213	2213	2222	2222	2222		
Permitted average input speed (at T_{2a} and 20 °C ambient temperature) ^{d)}	n_{1N}	rpm	2600	2900	3100	3100	3100		
Max. input speed	n_{1Max}	rpm	7500	7500	7500	7500	7500		
Mean no load running torque ^{b)} (at $n_i = 3000$ rpm and 20 °C gearbox temperature)	T_{012}	Nm	1.3	1.1	0.84	0.84	0.64		
		in.lb	12	9.5	7.4	7.4	5.7		
Max. backlash	j_t	arcmin	Standard ≤ 3 / Reduced ≤ 1						
Torsional rigidity ^{b)}	C_{t21}	Nm/arcmin	32	33	30	23	23		
		in.lb/arcmin	283	292	266	204	204		
Tilting rigidity	C_{2K}	Nm/arcmin	225						
		in.lb/arcmin	1991						
Max. axial force ^{c)}	F_{2AMax}	N	2795						
		lb _f	629						
Max. tilting moment	M_{2KMax}	Nm	270						
		in.lb	2390						
Efficiency at full load	η	%	97						
Service life	L_h	h	> 20000						
Weight (incl. standard adapter plate)	m	kg	3.8						
		lb _m	8.4						
Operating noise (at reference ratio and reference speed – ratio-specific values available in cymex [®])	L_{PA}	dB(A)	≤ 57						
		°C	+90						
Max. permitted housing temperature		F	194						
		°C	-15 to +40						
Ambient temperature		F	5 to 104						
		°C							
Lubrication			Lubricated for life						
Direction of rotation			In- and output same direction						
Protection class			IP 65						
Metal bellows coupling (recommended product type – validate sizing with cymex [®])			BCT-00060AAX-050.000						
Bore diameter of coupling on the application side		mm	X = 014.000 - 035.000						
Mass moment of inertia (relates to the drive) Clamping hub diameter [mm] Optimized mass inertia version available on request	C	14	J_1	kgcm ²	0.78	0.62	0.48	0.48	0.40
				10 ⁻³ in.lb.s ²	0.69	0.55	0.42	0.42	0.35
	E	19	J_1	kgcm ²	0.95	0.79	0.64	0.64	0.57
				10 ⁻³ in.lb.s ²	0.84	0.70	0.57	0.57	0.50
	G	24	J_1	kgcm ²	2.32	2.16	2.02	2.02	1.94
				10 ⁻³ in.lb.s ²	2.05	1.91	1.79	1.79	1.72

Please use our sizing software cymex[®] for a detailed sizing – www.wittenstein-cymex.com

^{a)} At max. 10 % M_{2KMax}

^{b)} Valid for standard clamping hub diameter

^{c)} Refers to center of the output shaft or flange

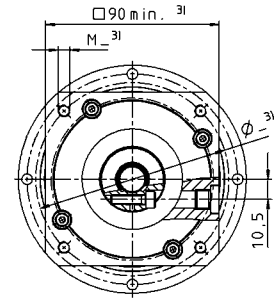
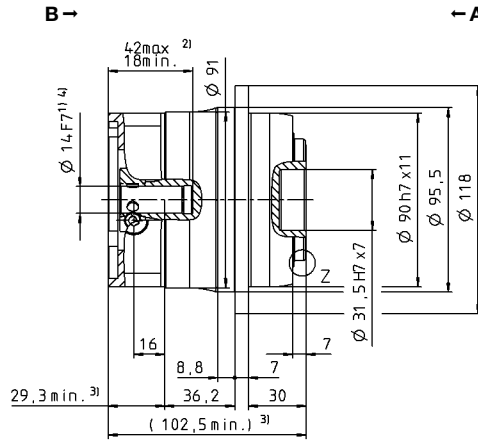
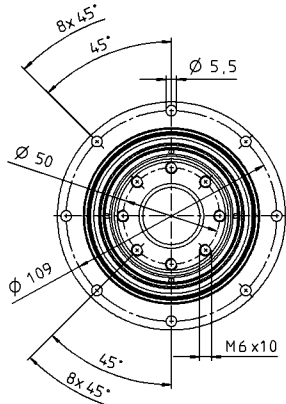
^{d)} Please reduce input speed at higher ambient temperatures

View A

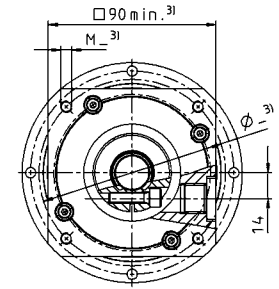
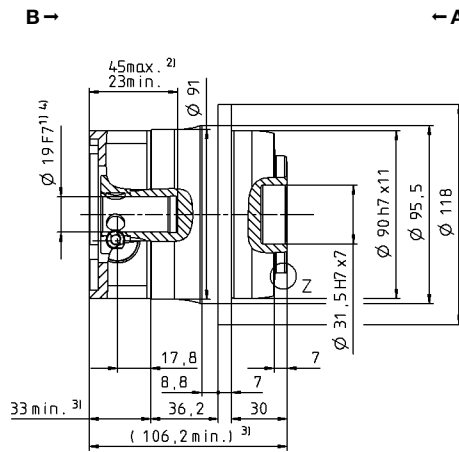
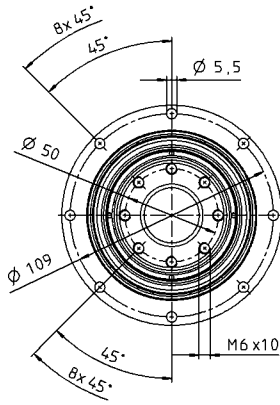
View B

1-stage

up to 14⁴⁾ (C)
clamping hub diameter

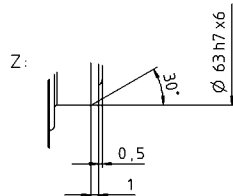
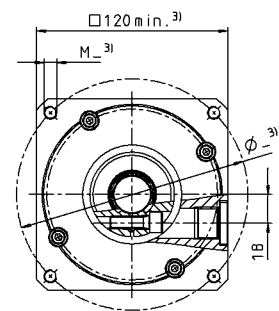
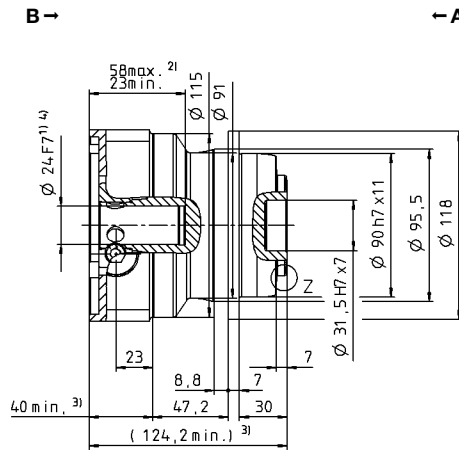
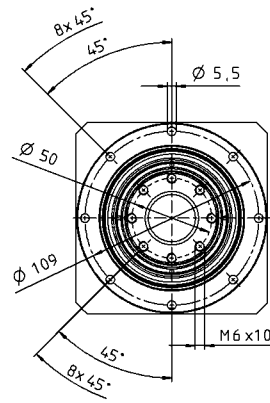


up to 19⁴⁾ (E)⁵⁾
clamping hub diameter



Motor shaft diameter [mm]

up to 24⁴⁾ (G)
clamping hub diameter



Non-tolerated dimensions are nominal dimensions

¹⁾ Check motor shaft fit

²⁾ Min./Max. permissible motor shaft length. Longer motor shafts are possible, please contact alpha.

³⁾ The dimensions depend on the motor

⁴⁾ Smaller motor shaft diameter is compensated by a bushing with a minimum thickness of 1 mm

⁵⁾ Standard clamping hub diameter

TP+ 010 MF 2-stage

			2-stage																
Ratio	<i>i</i>		16	20	21	25	28	31	32	35	40	50	61	64	70	91	100		
Max. torque ^{a) b)}	T_{2a}	Nm	157	126	133	158	157	121	157	158	154	158	121	105	157	96	105		
		in.lb	1392	1118	1174	1398	1392	1071	1392	1398	1363	1398	1071	932	1392	848	932		
Max. acceleration torque ^{b)} (max. 1000 cycles per hour)	T_{2B}	Nm	157	126	120	158	157	121	157	158	154	158	121	105	157	96	105		
		in.lb	1392	1118	1062	1398	1392	1071	1392	1398	1363	1398	1071	932	1392	848	932		
Nominal torque (at n_n)	T_{2N}	Nm	106	101	96	124	107	87	119	126	112	126	97	84	126	77	84		
		in.lb	935	895	850	1097	945	770	1053	1118	987	1118	857	746	1114	678	746		
Emergency stop torque ^{a) b)} (permitted 1000 times during the service life of the gearbox)	T_{2Not}	Nm	251	251	251	251	251	251	251	251	251	251	251	251	251	251	251		
		in.lb	2222	2222	2222	2222	2222	2222	2222	2222	2222	2222	2222	2222	2222	2222	2222		
Permitted average input speed (at T_{2a} and 20 °C ambient temperature) ^{d)}	n_{1N}	rpm	3500	3500	3500	3500	3500	3500	3500	3500	3500	3800	4500	3800	4500	4500	4500		
Max. input speed	n_{1Max}	rpm	7500	7500	7500	7500	7500	7500	7500	7500	7500	7500	7500	7500	7500	7500	7500		
Mean no load running torque ^{b)} (at $n_i = 3000$ rpm and 20 °C gearbox temperature)	T_{012}	Nm	0.56	0.48	0.47	0.44	0.40	0.40	0.40	0.28	0.32	0.32	0.23	0.32	0.24	0.24	0.25		
		in.lb	5.0	4.2	4.2	3.9	3.5	3.5	3.5	2.5	2.8	2.8	2.0	2.8	2.1	2.1	2.2		
Max. backlash	j_t	arcmin	Standard ≤ 3 / Reduced ≤ 1																
Torsional rigidity ^{b)}	C_{t21}	Nm/arcmin	32	32	26	32	31	24	31	32	30	30	24	30	28	21	22		
		in.lb/arcmin	283	283	230	283	274	212	274	283	266	266	212	266	248	186	195		
Tilting rigidity	C_{2K}	Nm/arcmin	225																
		in.lb/arcmin	1991																
Max. axial force ^{c)}	F_{2AMax}	N	2795																
		lb _f	629																
Max. tilting moment	M_{2KMax}	Nm	270																
		in.lb	2390																
Efficiency at full load	η	%	94																
Service life	L_h	h	> 20000																
Weight (incl. standard adapter plate)	m	kg	3.6																
		lb _m	8.0																
Operating noise (at reference ratio and reference speed – ratio-specific values available in cymex [®])	L_{PA}	dB(A)	≤ 55																
Max. permitted housing temperature		°C	+90																
		F	194																
Ambient temperature		°C	-15 to +40																
		F	5 to 104																
Lubrication			Lubricated for life																
Direction of rotation			In- and output same direction																
Protection class			IP 65																
Metal bellows coupling (recommended product type – validate sizing with cymex [®])			BCT-00060AAX-050.000																
Bore diameter of coupling on the application side		mm	X = 014.000 - 035.000																
Mass moment of inertia (relates to the drive) Clamping hub diameter [mm] Optimized mass inertia version available on request	B	11	J_i	kgcm ²	0.17	0.14	0.15	0.13	0.11	0.14	0.11	0.10	0.09	0.09	0.09	0.10	0.09	0.09	
				10 ⁻³ in.lb.s ²	0.15	0.12	0.13	0.12	0.10	0.12	0.10	0.09	0.08	0.08	0.08	0.09	0.08	0.08	0.08
	C	14	J_i	kgcm ²	0.24	0.21	0.22	0.20	0.18	0.21	0.18	0.18	0.17	0.17	0.17	0.17	0.16	0.17	0.16
				10 ⁻³ in.lb.s ²	0.21	0.19	0.20	0.18	0.16	0.18	0.16	0.16	0.15	0.15	0.15	0.15	0.15	0.15	0.15
	E	19	J_i	kgcm ²	0.56	0.53	0.55	0.53	0.51	0.53	0.51	0.50	0.49	0.49	0.49	0.52	0.49	0.49	0.49
				10 ⁻³ in.lb.s ²	0.50	0.47	0.48	0.47	0.45	0.47	0.45	0.44	0.43	0.43	0.43	0.43	0.46	0.43	0.43

Please use our sizing software cymex[®] for a detailed sizing – www.wittenstein-cymex.com

^{a)} At max. 10 % M_{2KMax}

^{b)} Valid for standard clamping hub diameter

^{c)} Refers to center of the output shaft or flange

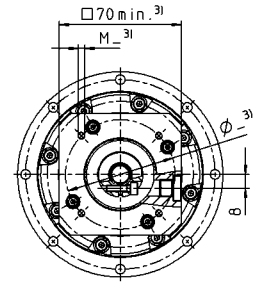
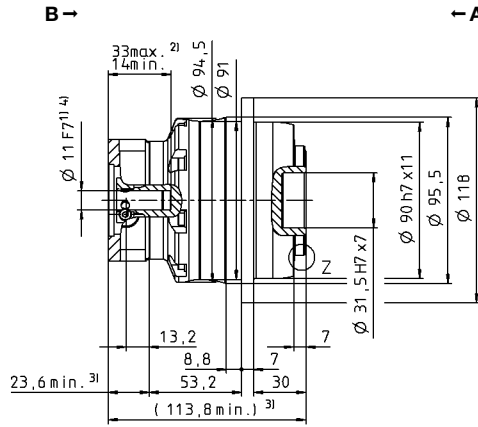
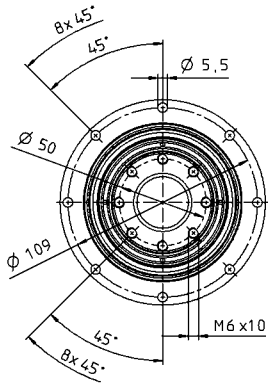
^{d)} Please reduce input speed at higher ambient temperatures

View A

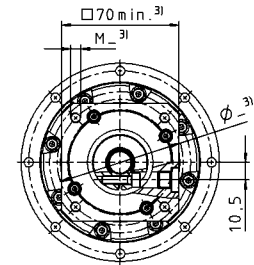
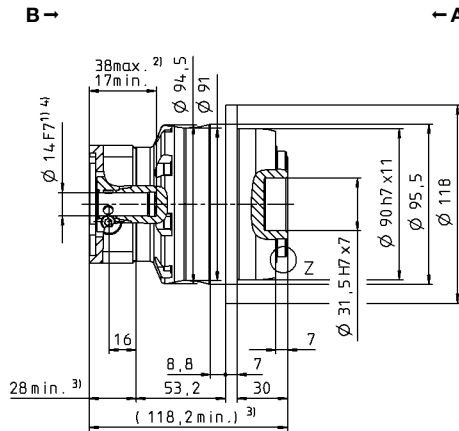
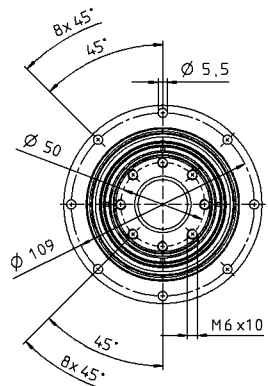
View B

2-stage

up to 11⁴⁾ (B) clamping hub diameter

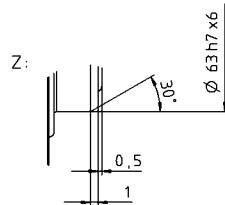
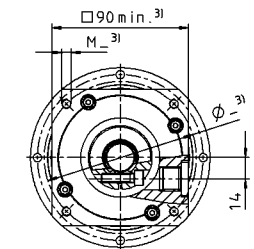
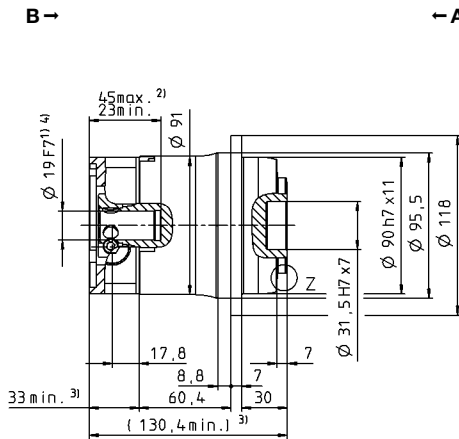
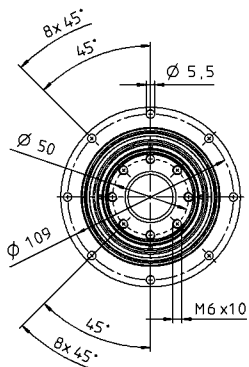


up to 14⁴⁾ (C)⁵⁾ clamping hub diameter



Motor shaft diameter [mm]

up to 19⁴⁾ (E) clamping hub diameter



Non-tolerated dimensions are nominal dimensions

¹⁾ Check motor shaft fit

²⁾ Min./Max. permissible motor shaft length. Longer motor shafts are possible, please contact alpha.

³⁾ The dimensions depend on the motor

⁴⁾ Smaller motor shaft diameter is compensated by a bushing with a minimum thickness of 1 mm

⁵⁾ Standard clamping hub diameter

TP+ 025 MF 1-stage

			1-stage						
Ratio	<i>i</i>		4	5	7	8	10		
Max. torque ^{a) b)}	T_{2a}	Nm	352	380	352	352	352		
		in.lb	3115	3363	3115	3115	3115		
Max. acceleration torque ^{b)} (max. 1000 cycles per hour)	T_{2B}	Nm	352	380	352	318	318		
		in.lb	3115	3363	3115	2815	2815		
Nominal torque (at n_n)	T_{2N}	Nm	175	169	172	172	180		
		in.lb	1548	1498	1524	1521	1591		
Emergency stop torque ^{a) b)} (permitted 1000 times during the service life of the gearbox)	T_{2Not}	Nm	625	625	625	625	625		
		in.lb	5532	5532	5532	5532	5532		
Permitted average input speed (at T_{2a} and 20 °C ambient temperature) ^{d)}	n_{1N}	rpm	2300	2500	2500	2500	2500		
Max. input speed	n_{1Max}	rpm	5500	5500	5500	5500	5500		
Mean no load running torque ^{b)} (at $n_i = 3000$ rpm and 20 °C gearbox temperature)	T_{012}	Nm	2.8	2.3	1.7	1.7	1.2		
		in.lb	25	20	15	15	10		
Max. backlash	j_t	arcmin	Standard ≤ 3 / Reduced ≤ 1						
Torsional rigidity ^{b)}	C_{t21}	Nm/arcmin	80	86	76	62	62		
		in.lb/arcmin	708	761	673	549	549		
Tilting rigidity	C_{2K}	Nm/arcmin	550						
		in.lb/arcmin	4868						
Max. axial force ^{c)}	F_{2AMax}	N	4800						
		lb _f	1080						
Max. tilting moment	M_{2KMax}	Nm	440						
		in.lb	3894						
Efficiency at full load	η	%	97						
Service life	L_h	h	> 20000						
Weight (incl. standard adapter plate)	m	kg	6.5						
		lb _m	14.4						
Operating noise (at reference ratio and reference speed – ratio-specific values available in cymex [®])	L_{PA}	dB(A)	≤ 61						
Max. permitted housing temperature		°C	+90						
		F	194						
Ambient temperature		°C	-15 to +40						
		F	5 to 104						
Lubrication			Lubricated for life						
Direction of rotation			In- and output same direction						
Protection class			IP 65						
Metal bellows coupling (recommended product type – validate sizing with cymex [®])			BCT-00150AAX-063.000						
Bore diameter of coupling on the application side		mm	X = 019.000 - 042.000						
Mass moment of inertia (relates to the drive) Clamping hub diameter [mm] Optimized mass inertia version available on request	E	19	J_1	kgcm ²	2.59	2.11	1.69	1.69	1.45
				10 ⁻³ in.lb.s ²	2.29	1.87	1.50	1.50	1.28
	G	24	J_1	kgcm ²	3.28	2.80	2.38	2.38	2.14
				10 ⁻³ in.lb.s ²	2.90	2.48	2.11	2.11	1.89
	H	28	J_1	kgcm ²	2.89	2.41	1.99	1.99	1.75
				10 ⁻³ in.lb.s ²	2.56	2.13	1.76	1.76	1.55
	K	38	J_1	kgcm ²	10.3	9.87	9.45	9.45	9.21
				10 ⁻³ in.lb.s ²	9.12	8.73	8.36	8.36	8.15

Please use our sizing software cymex[®] for a detailed sizing – www.wittenstein-cymex.com

^{a)} At max. 10 % M_{2KMax}

^{b)} Valid for standard clamping hub diameter

^{c)} Refers to center of the output shaft or flange

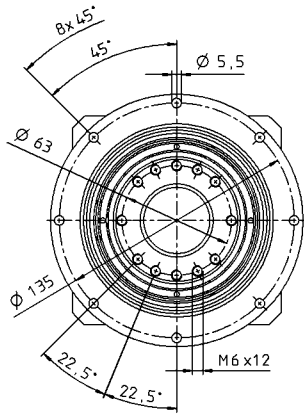
^{d)} Please reduce input speed at higher ambient temperatures

View A

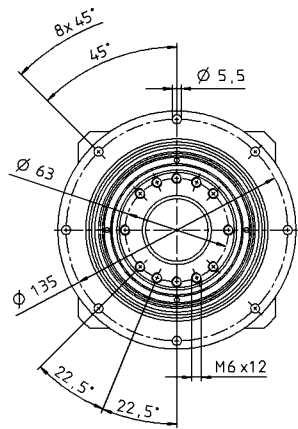
View B

1-stage

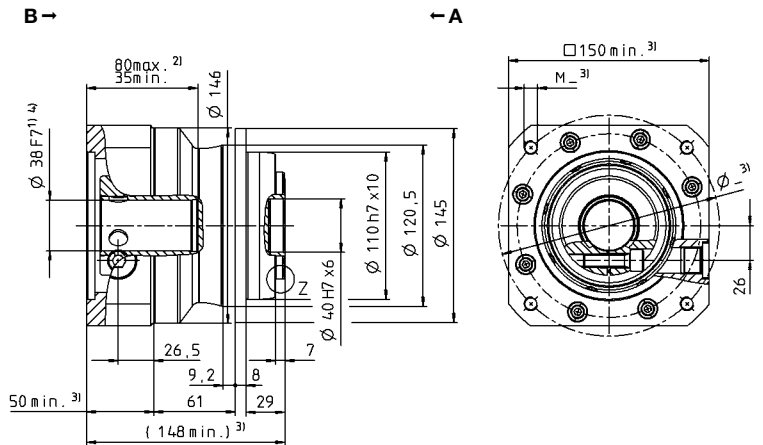
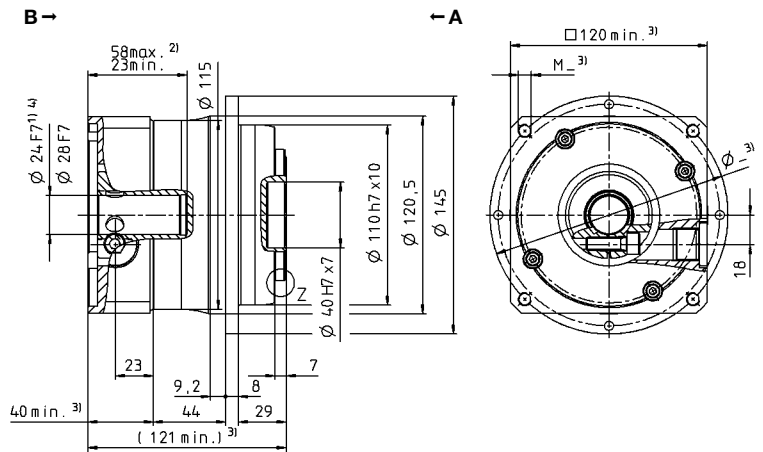
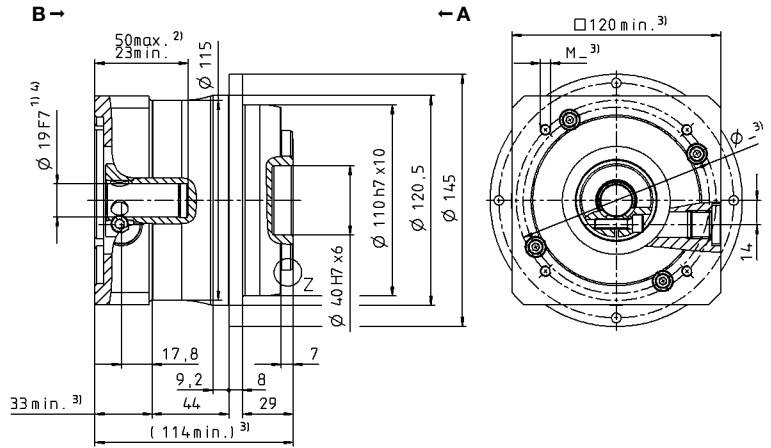
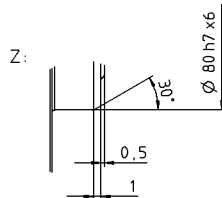
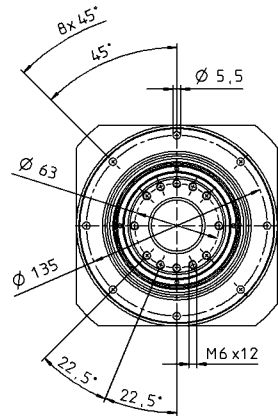
up to 19⁴⁾ (E)
clamping hub diameter



up to 24/28⁴⁾
(G⁵⁾/H) clamping hub diameter



up to 38⁴⁾ (K)
clamping hub diameter



Planetary gearboxes

TP+
MF

Non-tolerated dimensions are nominal dimensions

¹⁾ Check motor shaft fit

²⁾ Min./Max. permissible motor shaft length. Longer motor shafts are possible, please contact alpha.

³⁾ The dimensions depend on the motor

⁴⁾ Smaller motor shaft diameter is compensated by a bushing with a minimum thickness of 1 mm

⁵⁾ Standard clamping hub diameter

Motor shaft diameter [mm]

TP+ 025 MF 2-stage

			2-stage																
Ratio	<i>i</i>		16	20	21	25	28	31	32	35	40	50	61	64	70	91	100		
Max. torque ^{a) b)}	T_{2a}	Nm	352	352	352	380	352	352	352	380	352	380	352	352	352	352	352	352	
		in.lb	3115	3115	3115	3363	3115	3115	3115	3363	3115	3363	3115	3363	3115	3115	3115	3115	3115
Max. acceleration torque ^{b)} (max. 1000 cycles per hour)	T_{2B}	Nm	352	352	330	380	352	330	352	380	352	380	308	292	352	275	292	292	
		in.lb	3115	3115	2921	3363	3115	2921	3115	3363	3115	3363	2726	2584	3115	2434	2584	2584	
Nominal torque (at n_n)	T_{2N}	Nm	250	267	211	265	282	231	251	294	282	304	246	233	282	220	233	233	
		in.lb	2213	2366	1872	2348	2492	2047	2220	2598	2492	2691	2181	2064	2492	1947	2064	2064	
Emergency stop torque ^{a) b)} (permitted 1000 times during the service life of the gearbox)	T_{2Not}	Nm	625	625	625	625	625	625	625	625	625	625	625	625	625	625	625	625	
		in.lb	5532	5532	5532	5532	5532	5532	5532	5532	5532	5532	5532	5532	5532	5532	5532	5532	
Permitted average input speed (at T_{2a} and 20 °C ambient temperature) ^{d)}	n_{1N}	rpm	2800	2800	2800	2800	2800	2800	2800	2800	2800	3100	3500	3100	3500	4200	4200		
Max. input speed	n_{1Max}	rpm	7500	7500	7500	7500	7500	7500	7500	7500	7500	7500	7500	7500	7500	7500	7500		
Mean no load running torque ^{b)} (at $n_i = 3000$ rpm and 20 °C gearbox temperature)	T_{012}	Nm	1.2	1.0	1.1	0.90	0.80	0.84	0.80	0.60	0.59	0.50	0.48	0.50	0.42	0.48	0.38	0.38	
		in.lb	10	8.9	9.9	8.0	7.1	7.4	7.1	5.3	5.2	4.4	4.2	4.4	3.7	4.2	3.4	3.4	
Max. backlash	j_t	arcmin	Standard ≤ 3 / Reduced ≤ 1																
Torsional rigidity ^{b)}	C_{t21}	Nm/arcmin	81	81	70	83	80	54	80	82	76	80	61	80	71	55	60	60	
		in.lb/arcmin	717	717	620	735	708	478	708	726	673	708	540	708	628	487	531	531	
Tilting rigidity	C_{2K}	Nm/arcmin	550																
		in.lb/arcmin	4868																
Max. axial force ^{c)}	F_{2AMax}	N	4800																
		lb _f	1080																
Max. tilting moment	M_{2KMax}	Nm	440																
		in.lb	3894																
Efficiency at full load	η	%	94																
Service life	L_h	h	> 20000																
Weight (incl. standard adapter plate)	m	kg	6.7																
		lb _m	14.8																
Operating noise (at reference ratio and reference speed – ratio-specific values available in cymex [®])	L_{PA}	dB(A)	≤ 58																
		°C	+90																
Max. permitted housing temperature	F	°C	-15 to +40																
		F	5 to 104																
Ambient temperature																			
Lubrication			Lubricated for life																
Direction of rotation			In- and output same direction																
Protection class			IP 65																
Metal bellows coupling (recommended product type – validate sizing with cymex [®])			BCT-00150AAX-063.000																
Bore diameter of coupling on the application side		mm	X = 019.000 - 042.000																
Mass moment of inertia (relates to the drive) Clamping hub diameter [mm] Optimized mass inertia version available on request	C	14	J_1	kgcm ²	0.66	0.55	0.60	0.53	0.44	0.55	0.44	0.43	0.38	0.38	0.39	0.40	0.37	0.38	
				10 ⁻³ in.lb.s ²	0.58	0.48	0.53	0.47	0.39	0.49	0.39	0.38	0.34	0.33	0.34	0.36	0.33	0.34	0.33
	E	19	J_1	kgcm ²	0.83	0.71	0.77	0.70	0.61	0.72	0.61	0.60	0.55	0.55	0.55	0.57	0.54	0.55	0.54
				10 ⁻³ in.lb.s ²	0.73	0.63	0.68	0.62	0.54	0.64	0.54	0.53	0.49	0.48	0.49	0.50	0.48	0.48	0.48
	G	24	J_1	kgcm ²	2.20	2.08	2.14	2.07	1.98	2.09	1.98	1.97	1.92	1.92	1.92	2.00	1.91	1.92	1.91
				10 ⁻³ in.lb.s ²	1.95	1.84	1.89	1.83	1.75	1.85	1.75	1.74	1.70	1.70	1.70	1.77	1.69	1.70	1.69
	H	28	J_1	kgcm ²	2.00	1.91	1.96	1.89	1.82	1.85	1.89	1.81	1.76	1.76	1.76	1.83	1.75	1.75	1.75
				10 ⁻³ in.lb.s ²	1.77	1.69	1.73	1.67	1.61	1.64	1.67	1.60	1.56	1.56	1.56	1.62	1.55	1.55	1.55

Please use our sizing software cymex[®] for a detailed sizing – www.wittenstein-cymex.com

^{a)} At max. 10 % M_{2KMax}

^{b)} Valid for standard clamping hub diameter

^{c)} Refers to center of the output shaft or flange

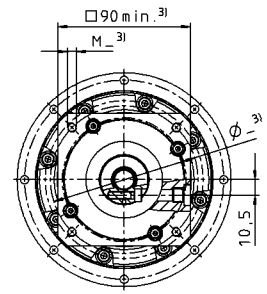
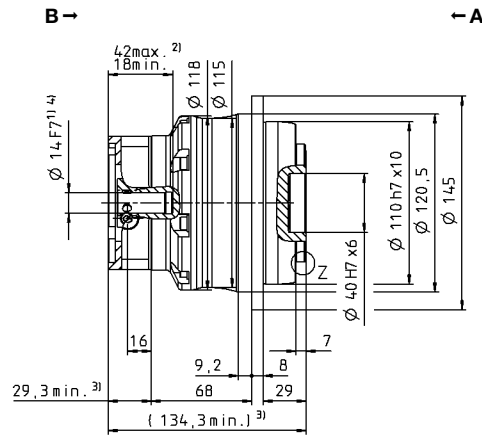
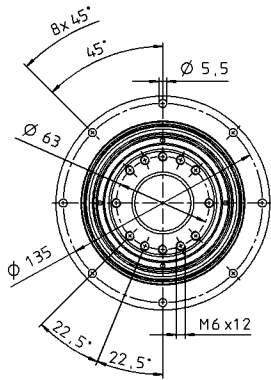
^{d)} Please reduce input speed at higher ambient temperatures

View A

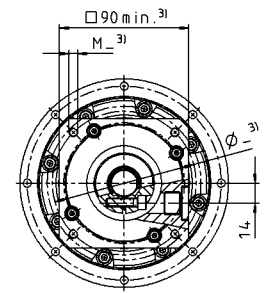
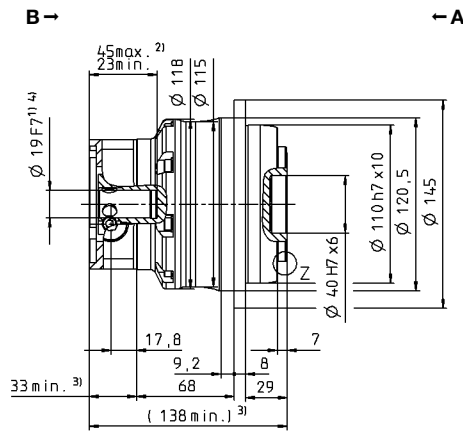
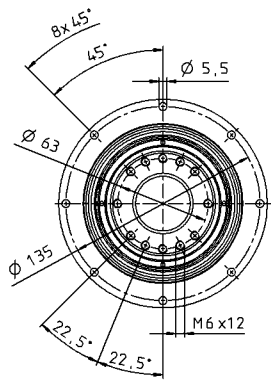
View B

2-stage

up to 14⁴⁾ (C)
clamping hub diameter

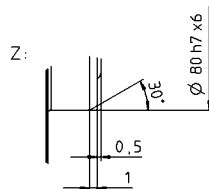
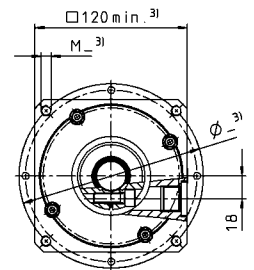
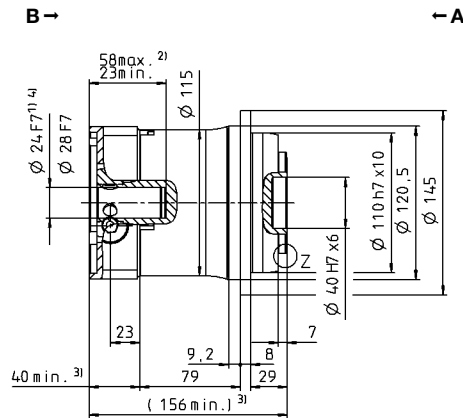
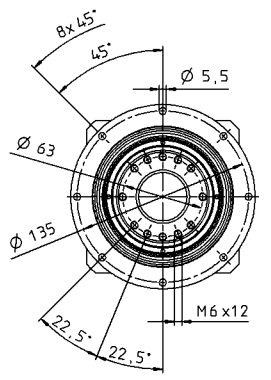


up to 19⁴⁾ (E)⁵⁾
clamping hub diameter



Motor shaft diameter [mm]

up to 24/28⁴⁾
(G/H) clamping hub diameter



Non-tolerated dimensions are nominal dimensions

¹⁾ Check motor shaft fit

²⁾ Min./Max. permissible motor shaft length. Longer motor shafts are possible, please contact alpha.

³⁾ The dimensions depend on the motor

⁴⁾ Smaller motor shaft diameter is compensated by a bushing with a minimum thickness of 1 mm

⁵⁾ Standard clamping hub diameter

TP+ 050 MF 1-stage

			1-stage						
Ratio	<i>i</i>		4	5	7	8	10		
Max. torque ^{a) b)}	T_{2a}	Nm	992	992	868	720	720		
		in.lb	8780	8780	7686	6373	6373		
Max. acceleration torque ^{b)} (max. 1000 cycles per hour)	T_{2B}	Nm	840	840	840	648	648		
		in.lb	7435	7435	7435	5735	5735		
Nominal torque (at n_N)	T_{2N}	Nm	345	337	322	316	331		
		in.lb	3052	2987	2854	2796	2928		
Emergency stop torque ^{a) b)} (permitted 1000 times during the service life of the gearbox)	T_{2Not}	Nm	1250	1250	1250	1250	1250		
		in.lb	11064	11064	11064	11064	11064		
Permitted average input speed (at T_{2a} and 20 °C ambient temperature) ^{d)}	n_{1N}	rpm	1900	2000	2500	2500	2500		
Max. input speed	n_{1Max}	rpm	5000	5000	5000	5000	5000		
Mean no load running torque ^{b)} (at $n_1 = 3000$ rpm and 20 °C gearbox temperature)	T_{012}	Nm	6.5	5.3	3.8	3.8	2.9		
		in.lb	57	47	33	33	26		
Max. backlash	j_t	arcmin	Standard ≤ 3 / Reduced ≤ 1						
Torsional rigidity ^{b)}	C_{t21}	Nm/arcmin	190	187	159	123	123		
		in.lb/arcmin	1682	1655	1407	1089	1089		
Tilting rigidity	C_{2K}	Nm/arcmin	560						
		in.lb/arcmin	4956						
Max. axial force ^{c)}	F_{2AMax}	N	6130						
		lb _f	1379						
Max. tilting moment	M_{2KMax}	Nm	1335						
		in.lb	11816						
Efficiency at full load	η	%	97						
Service life	L_h	h	> 20000						
Weight (incl. standard adapter plate)	m	kg	14						
		lb _m	30.9						
Operating noise (at reference ratio and reference speed – ratio-specific values available in cymex [®])	L_{PA}	dB(A)	≤ 64						
Max. permitted housing temperature		°C	+90						
		F	194						
Ambient temperature		°C	-15 to +40						
		F	5 to 104						
Lubrication			Lubricated for life						
Direction of rotation			In- and output same direction						
Protection class			IP 65						
Metal bellows coupling (recommended product type – validate sizing with cymex [®])			BCT-00300AAX-080.000						
Bore diameter of coupling on the application side		mm	X = 024.000 - 060.000						
Mass moment of inertia (relates to the drive) Clamping hub diameter [mm] Optimized mass inertia version available on request	G	24	J_1	kgcm ²	9.47	7.85	6.39	6.39	5.54
				10 ⁻³ in.lb.s ²	8.38	6.95	5.66	5.66	4.90
	I	32	J_1	kgcm ²	12.6	11.0	9.55	9.55	8.10
				10 ⁻³ in.lb.s ²	11.2	9.74	8.45	8.45	7.17
	K	38	J_1	kgcm ²	13.7	12.1	10.6	10.6	9.78
				10 ⁻³ in.lb.s ²	12.1	10.7	9.38	9.38	8.66
	M	48	J_1	kgcm ²	28.3	26.7	25.3	25.3	24.4
				10 ⁻³ in.lb.s ²	25.1	23.6	22.4	22.4	21.6

Please use our sizing software cymex[®] for a detailed sizing – www.wittenstein-cymex.com

^{a)} At max. 10 % M_{2KMax}

^{b)} Valid for standard clamping hub diameter

^{c)} Refers to center of the output shaft or flange

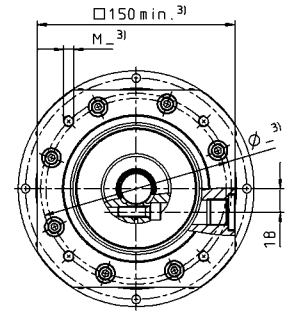
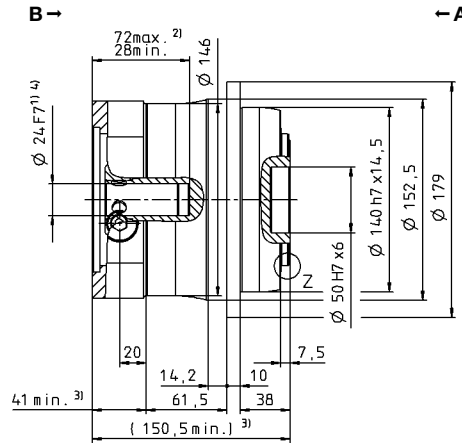
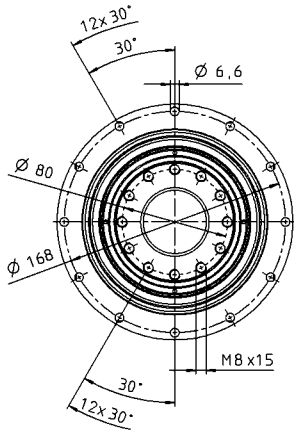
^{d)} Please reduce input speed at higher ambient temperatures

View A

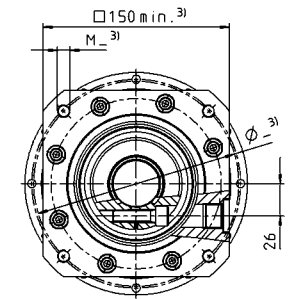
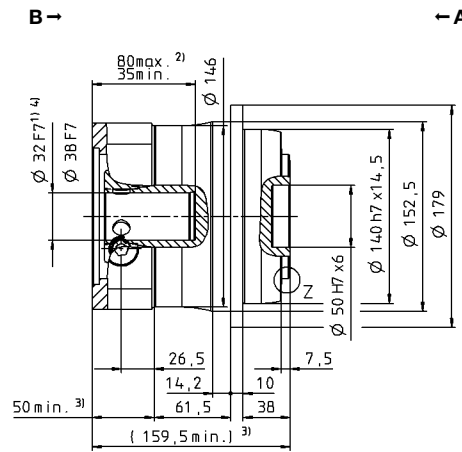
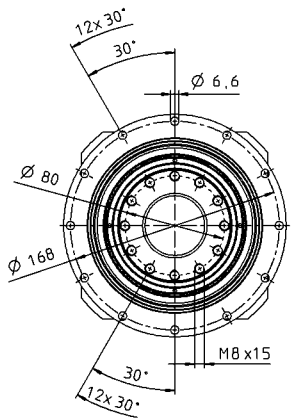
View B

1-stage

up to 24⁴⁾ (G) clamping hub diameter

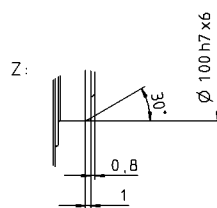
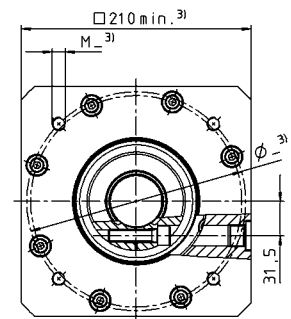
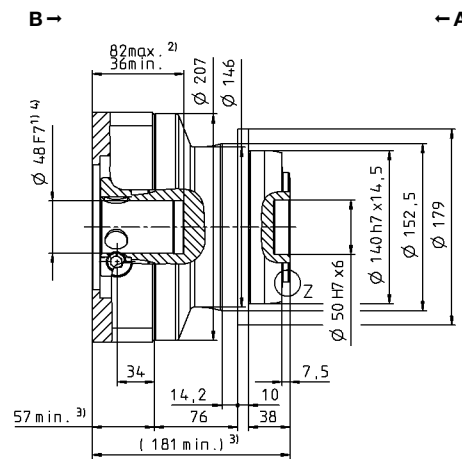
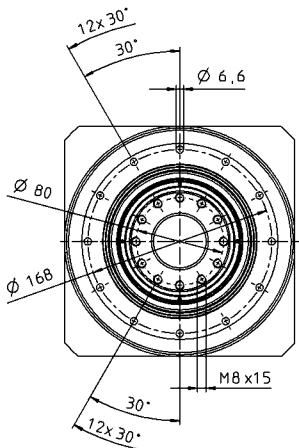


up to 32/38⁴⁾ (I/K⁵⁾) clamping hub diameter



Motor shaft diameter [mm]

up to 48⁴⁾ (M) clamping hub diameter



Non-tolerated dimensions are nominal dimensions

¹⁾ Check motor shaft fit

²⁾ Min./Max. permissible motor shaft length. Longer motor shafts are possible, please contact alpha.

³⁾ The dimensions depend on the motor

⁴⁾ Smaller motor shaft diameter is compensated by a bushing with a minimum thickness of 1 mm

⁵⁾ Standard clamping hub diameter

TP+ 050 MF 2-stage

			2-stage																
Ratio	<i>i</i>		16	20	21	25	28	31	32	35	40	50	61	64	70	91	100		
Max. torque ^{a) b)}	T_{2a}	Nm	825	825	660	825	825	682	825	825	825	825	605	594	770	550	594		
		in.lb	7302	7302	5842	7302	7302	6036	7302	7302	7302	7302	5355	5257	6815	4868	5257		
Max. acceleration torque ^{b)} (max. 1000 cycles per hour)	T_{2B}	Nm	825	825	660	825	825	682	825	825	825	825	605	594	770	550	594		
		in.lb	7302	7302	5842	7302	7302	6036	7302	7302	7302	7302	5355	5257	6815	4868	5257		
Nominal torque (at n_n)	T_{2N}	Nm	461	493	393	489	545	431	464	541	607	585	425	475	598	440	475		
		in.lb	4078	4361	3476	4332	4824	3812	4104	4792	5370	5179	3765	4206	5291	3894	4206		
Emergency stop torque ^{a) b)} (permitted 1000 times during the service life of the gearbox)	T_{2Not}	Nm	1250	1250	1250	1250	1250	1250	1250	1250	1250	1250	1250	1250	1250	1250	1250		
		in.lb	11064	11064	11064	11064	11064	11064	11064	11064	11064	11064	11064	11064	11064	11064	11064		
Permitted average input speed (at T_{2a} and 20 °C ambient temperature) ^{d)}	n_{1N}	rpm	2900	2900	2900	2900	2900	2900	2900	2900	2900	3200	3200	3200	3200	3900	3900		
Max. input speed	n_{1Max}	rpm	6250	6250	6250	6250	6250	6250	6250	6250	6250	6250	6250	6250	6250	6250	6250		
Mean no load running torque ^{b)} (at $n_i = 3000$ rpm and 20 °C gearbox temperature)	T_{012}	Nm	2.8	2.4	2.2	2.6	2.0	1.9	2.0	1.5	1.5	1.2	1.0	1.2	1.1	0.96	0.88		
		in.lb	25	22	20	23	17	17	17	14	13	11	8.9	11	9.9	8.5	7.8		
Max. backlash	j_t	arcmin	Standard ≤ 3 / Reduced ≤ 1																
Torsional rigidity ^{b)}	C_{t21}	Nm/arcmin	180	185	145	180	180	130	180	175	175	175	123	175	145	100	115		
		in.lb/arcmin	1593	1637	1283	1593	1593	1151	1593	1549	1549	1549	1089	1549	1283	885	1018		
Tilting rigidity	C_{2K}	Nm/arcmin	560																
		in.lb/arcmin	4956																
Max. axial force ^{c)}	F_{2AMax}	N	6130																
		lb _f	1379																
Max. tilting moment	M_{2KMax}	Nm	1379																
		in.lb	11816																
Efficiency at full load	η	%	94																
Service life	L_h	h	> 20000																
Weight (incl. standard adapter plate)	m	kg	14.1																
		lb _m	31.2																
Operating noise (at reference ratio and reference speed – ratio-specific values available in cymex [®])	L_{PA}	dB(A)	≤ 58																
		°C	+90																
Max. permitted housing temperature	F	°C	-15 to +40																
		F	5 to 104																
Ambient temperature																			
Lubrication			Lubricated for life																
Direction of rotation			In- and output same direction																
Protection class			IP 65																
Metal bellows coupling (recommended product type – validate sizing with cymex [®])			BCT-00300AAX-080.000																
Bore diameter of coupling on the application side		mm	X = 024.000 - 060.000																
Mass moment of inertia (relates to the drive) Clamping hub diameter [mm] Optimized mass inertia version available on request	E	19	J_i	kgcm ²	2.53	2.08	2.30	2.01	1.67	2.12	1.67	1.64	1.44	1.42	1.46	1.51	1.41	1.43	1.40
				10 ⁻³ in.lb.s ²	2.24	1.84	2.04	1.78	1.48	1.88	1.48	1.45	1.27	1.26	1.29	1.34	1.25	1.27	1.24
	G	24	J_i	kgcm ²	3.22	2.77	2.99	2.70	2.37	2.81	2.37	2.33	2.13	2.12	2.15	2.20	2.10	2.12	2.09
				10 ⁻³ in.lb.s ²	2.85	2.45	2.65	2.39	2.10	2.49	2.10	2.06	1.89	1.88	1.90	1.95	1.86	1.88	1.85
	K	38	J_i	kgcm ²	10.3	9.83	10.1	9.77	9.43	9.88	9.43	9.40	9.20	9.18	9.22	9.50	9.17	9.19	9.16
				10 ⁻³ in.lb.s ²	9.12	8.70	8.94	8.65	8.35	8.74	8.35	8.32	8.14	8.12	8.16	8.41	8.12	8.13	8.11

Please use our sizing software cymex[®] for a detailed sizing – www.wittenstein-cymex.com

^{a)} At max. 10 % M_{2KMax}

^{b)} Valid for standard clamping hub diameter

^{c)} Refers to center of the output shaft or flange

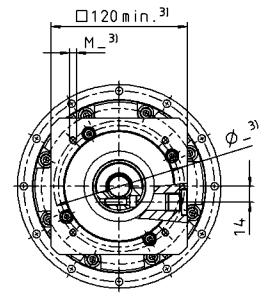
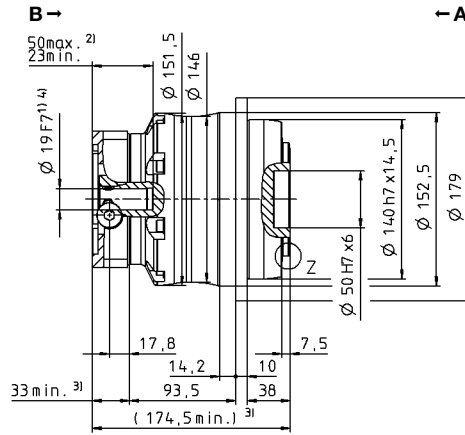
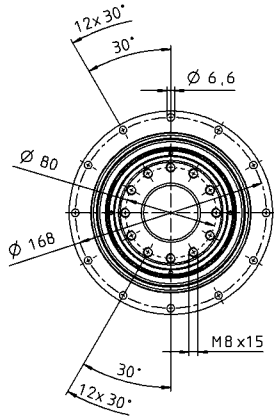
^{d)} Please reduce input speed at higher ambient temperatures

View A

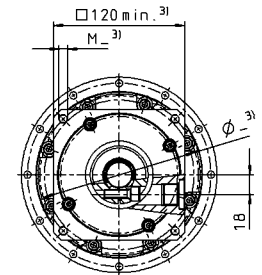
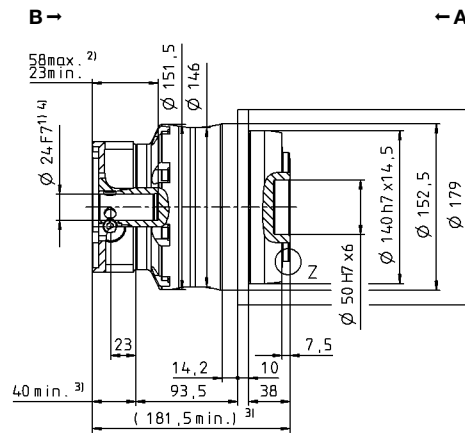
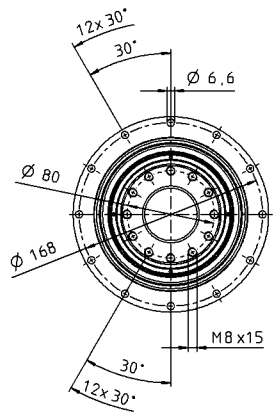
View B

2-stage

up to 19⁴⁾ (E)
clamping hub diameter

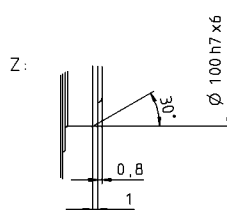
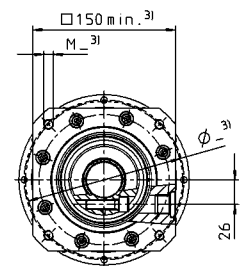
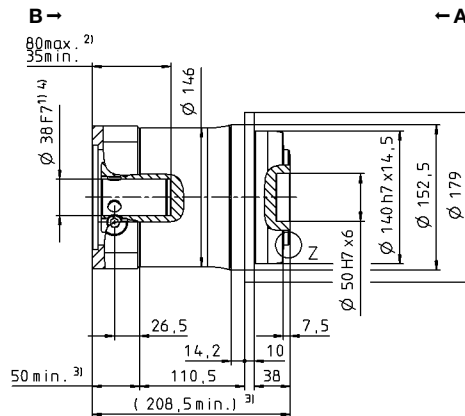
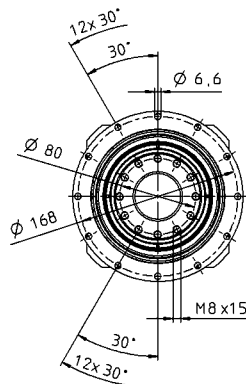


up to 24⁴⁾ (G)⁵⁾
clamping hub diameter



Motor shaft diameter [mm]

up to 38⁴⁾ (K)
clamping hub diameter



Non-tolerated dimensions are nominal dimensions

¹⁾ Check motor shaft fit

²⁾ Min./Max. permissible motor shaft length. Longer motor shafts are possible, please contact alpha.

³⁾ The dimensions depend on the motor

⁴⁾ Smaller motor shaft diameter is compensated by a bushing with a minimum thickness of 1 mm

⁵⁾ Standard clamping hub diameter

TP+ 110 MF 1-stage

			1-stage						
Ratio	<i>i</i>		4	5	7	8	10		
Max. torque ^{a) b)}	T_{2a}	Nm	2560	2560	2560	2240	2240		
		in.lb	22658	22658	22658	19826	19826		
Max. acceleration torque ^{b)} (max. 1000 cycles per hour)	T_{2B}	Nm	1920	1920	1920	1680	1680		
		in.lb	16994	16994	16994	14869	14869		
Nominal torque (at n_n)	T_{2N}	Nm	946	919	861	861	901		
		in.lb	8375	8134	7618	7618	7972		
Emergency stop torque ^{a) b)} (permitted 1000 times during the service life of the gearbox)	T_{2Not}	Nm	3075	3075	3075	3075	3075		
		in.lb	27216	27216	27216	27216	27216		
Permitted average input speed (at T_{2a} and 20 °C ambient temperature) ^{d)}	n_{1N}	rpm	1400	1500	2000	2000	2000		
Max. input speed	n_{1Max}	rpm	4500	4500	4500	4500	4500		
Mean no load running torque ^{b)} (at $n_i = 3000$ rpm and 20 °C gearbox temperature)	T_{012}	Nm	16	12	8.8	8.8	6.0		
		in.lb	138	109	78	78	53		
Max. backlash	j_t	arcmin	Standard ≤ 3 / Reduced ≤ 1						
Torsional rigidity ^{b)}	C_{t21}	Nm/arcmin	610	610	550	445	445		
		in.lb/arcmin	5399	5399	4868	3939	3939		
Tilting rigidity	C_{2K}	Nm/arcmin	1452						
		in.lb/arcmin	12851						
Max. axial force ^{c)}	F_{2AMax}	N	10050						
		lb _f	2261						
Max. tilting moment	M_{2KMax}	Nm	3280						
		in.lb	29031						
Efficiency at full load	η	%	97						
Service life	L_h	h	> 20000						
Weight (incl. standard adapter plate)	m	kg	30						
		lb _m	66.3						
Operating noise (at reference ratio and reference speed – ratio-specific values available in cymex [®])	L_{PA}	dB(A)	≤ 68						
		°C	+90						
Max. permitted housing temperature		F	194						
		°C	-15 to +40						
Ambient temperature		F	5 to 104						
		°C							
Lubrication			Lubricated for life						
Direction of rotation			In- and output same direction						
Protection class			IP 65						
Metal bellows coupling (recommended product type – validate sizing with cymex [®])			BCT-01500AAX-125.000						
Bore diameter of coupling on the application side		mm	X = 050.000 - 080.000						
Mass moment of inertia (relates to the drive) Clamping hub diameter [mm] Optimized mass inertia version available on request	K	38	J_1	kgcm ²	44.5	34.6	25.5	25.5	20.6
				10 ⁻³ in.lb.s ²	39.4	30.6	22.6	22.6	18.2
	M	48	J_1	kgcm ²	58.8	41.9	32.9	32.9	28.0
				10 ⁻³ in.lb.s ²	52.0	37.1	29.1	29.1	24.8
	N	55	J_1	kgcm ²	61.5	51.5	42.3	42.3	37.3
				10 ⁻³ in.lb.s ²	54.4	45.6	37.4	37.4	33.0

Please use our sizing software cymex[®] for a detailed sizing – www.wittenstein-cymex.com

^{a)} At max. 10 % M_{2KMax}

^{b)} Valid for standard clamping hub diameter

^{c)} Refers to center of the output shaft or flange

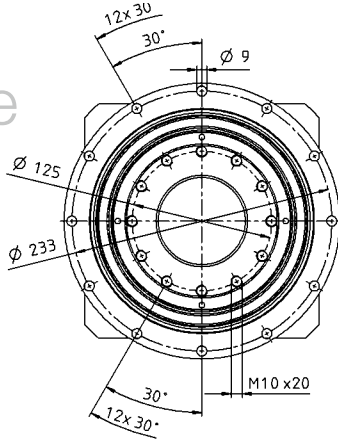
^{d)} Please reduce input speed at higher ambient temperatures

View A

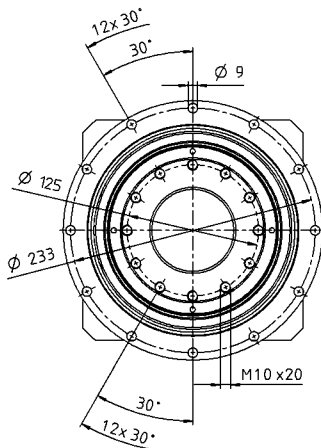
View B

1-stage

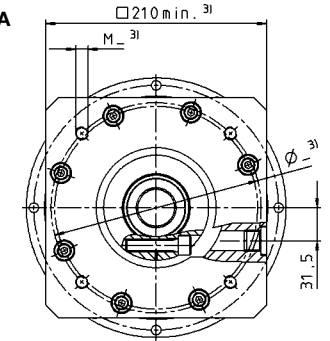
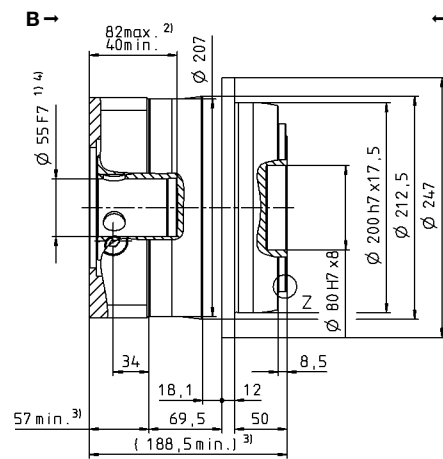
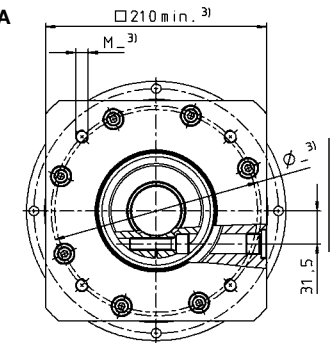
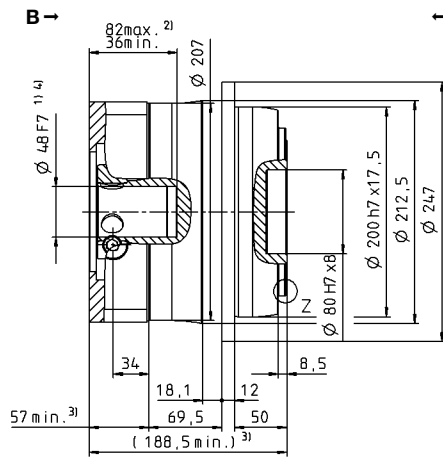
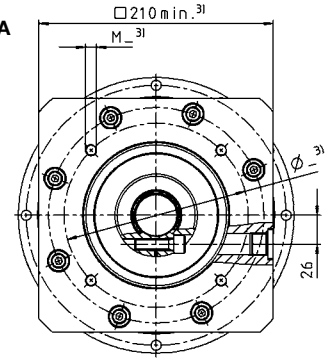
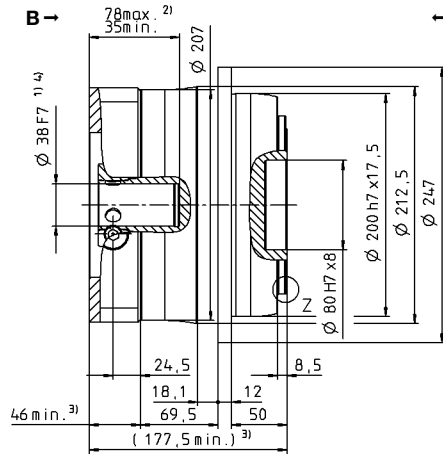
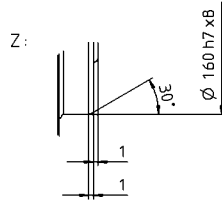
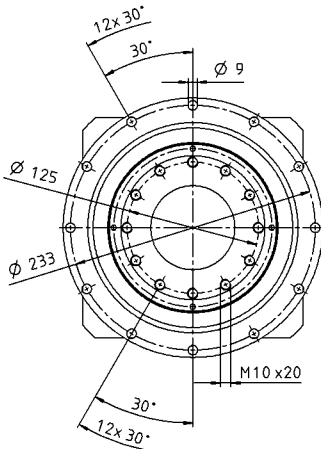
up to 38⁴⁾ (K)
clamping hub diameter



up to 48⁴⁾ (M)⁵⁾
clamping hub diameter



up to 55⁴⁾ (N)
clamping hub diameter



Non-tolerated dimensions are nominal dimensions

¹⁾ Check motor shaft fit

²⁾ Min./Max. permissible motor shaft length. Longer motor shafts are possible, please contact alpha.

³⁾ The dimensions depend on the motor

⁴⁾ Smaller motor shaft diameter is compensated by a bushing with a minimum thickness of 1 mm

⁵⁾ Standard clamping hub diameter

Motor shaft diameter [mm]

Planetary gearboxes

TP+ MF

TP+ 110 MF 2-stage

			2-stage																
Ratio	<i>i</i>		16	20	21	25	28	31	32	35	40	50	61	64	70	91	100		
Max. torque ^{a) b)}	T_{2a}	Nm	1760	1760	1540	1760	1760	1760	1760	1760	1760	1760	1540	1540	1760	1430	1540		
		in.lb	15577	15577	13630	15577	15577	15577	15577	15577	15577	15577	15577	13630	13630	15577	12657	13630	
Max. acceleration torque ^{b)} (max. 1000 cycles per hour)	T_{2B}	Nm	1760	1760	1540	1760	1760	1760	1760	1760	1760	1760	1540	1540	1760	1430	1540		
		in.lb	15577	15577	13630	15577	15577	15577	15577	15577	15577	15577	15577	13630	13630	15577	12657	13630	
Nominal torque (at n_n)	T_{2N}	Nm	1205	1240	1023	1278	1257	1065	1221	1408	1315	1408	1232	1232	1408	1144	1232		
		in.lb	10669	10976	9051	11312	11121	9422	10807	12462	11636	12462	10904	10904	12462	10125	10904		
Emergency stop torque ^{a) b)} (permitted 1000 times during the service life of the gearbox)	T_{2Not}	Nm	3075	3075	3075	3075	3075	3075	3075	3075	3075	3075	3075	3075	3075	3075	3075		
		in.lb	27216	27216	27216	27216	27216	27216	27216	27216	27216	27216	27216	27216	27216	27216	27216		
Permitted average input speed (at T_{2a} and 20 °C ambient temperature) ^{d)}	n_{1N}	rpm	2500	2500	2500	2500	2500	2500	2500	2500	2500	2900	3200	2900	3200	3400	3400		
Max. input speed	n_{1Max}	rpm	5625	5625	5625	5625	5625	5625	5625	5625	5625	5625	5625	5625	5625	5625	5625		
Mean no load running torque ^{b)} (at $n_i = 3000$ rpm and 20 °C gearbox temperature)	T_{012}	Nm	7.0	5.8	5.2	5.2	4.5	4.4	4.5	3.1	3.0	2.5	2.1	2.5	2.0	1.8	1.8		
		in.lb	52	52	46	46	40	39	40	28	27	22	18	22	18	16	16		
Max. backlash	j_t	arcmin	Standard ≤ 3 / Reduced ≤ 1																
Torsional rigidity ^{b)}	C_{t21}	Nm/arcmin	585	580	465	570	560	440	560	560	520	525	415	525	480	360	395		
		in.lb/arcmin	5178	5133	4116	5045	4956	3894	4956	4956	4602	4647	3673	4647	4248	3186	3496		
Tilting rigidity	C_{2K}	Nm/arcmin	1452																
		in.lb/arcmin	12851																
Max. axial force ^{c)}	F_{2AMax}	N	10050																
		lb _f	2261																
Max. tilting moment	M_{2KMax}	Nm	3280																
		in.lb	29031																
Efficiency at full load	η	%	94																
Service life	L_h	h	> 20000																
Weight (incl. standard adapter plate)	m	kg	34																
		lb _m	75.1																
Operating noise (at reference ratio and reference speed – ratio-specific values available in cymex [®])	L_{PA}	dB(A)	≤ 61																
		°C	+90																
Max. permitted housing temperature	F	°C	-15 to +40																
		F	5 to 104																
Ambient temperature																			
Lubrication			Lubricated for life																
Direction of rotation			In- and output same direction																
Protection class			IP 65																
Metal bellows coupling (recommended product type – validate sizing with cymex [®])			BCT-01500AAX-125.000																
Bore diameter of coupling on the application side		mm	X = 050.000 - 080.000																
Mass moment of inertia (relates to the drive) Clamping hub diameter [mm] Optimized mass inertia version available on request	G	24	J_i	kgcm ²	8.51	8.21	8.98	7.82	6.57	8.09	6.57	6.37	5.63	5.54	5.63	5.78	5.44	5.51	5.40
				10 ⁻³ in.lb.s ²	7.53	7.27	7.95	6.92	5.81	7.16	5.81	5.64	4.98	4.90	4.98	5.12	4.81	4.88	4.78
	I	32	J_i	kgcm ²	11.7	11.4	12.1	11.0	9.73	11.3	9.73	9.54	8.80	8.70	8.80	8.95	8.61	8.67	8.56
				10 ⁻³ in.lb.s ²	10.4	10.1	10.7	9.74	8.61	10.0	8.61	8.44	7.79	7.70	7.79	7.92	7.62	7.67	7.58
	K	38	J_i	kgcm ²	12.7	12.5	13.2	12.1	10.8	12.3	10.8	10.6	9.87	9.77	9.87	10.0	9.68	9.74	9.63
				10 ⁻³ in.lb.s ²	11.2	11.1	11.7	10.7	9.56	10.9	9.56	9.39	8.73	8.65	8.73	8.87	8.57	8.62	8.52
	M	48	J_i	kgcm ²	27.4	27.1	27.8	26.7	25.4	26.9	25.4	25.3	24.5	24.4	24.5	24.9	24.3	24.4	24.3
				10 ⁻³ in.lb.s ²	24.3	24.0	24.6	23.6	22.5	23.8	22.5	22.4	21.7	21.6	21.7	22.0	21.5	21.6	21.5

Please use our sizing software cymex[®] for a detailed sizing – www.wittenstein-cymex.com

^{a)} At max. 10 % M_{2KMax}

^{b)} Valid for standard clamping hub diameter

^{c)} Refers to center of the output shaft or flange

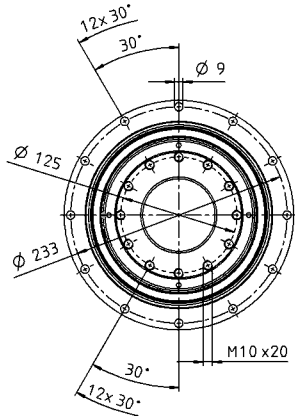
^{d)} Please reduce input speed at higher ambient temperatures

View A

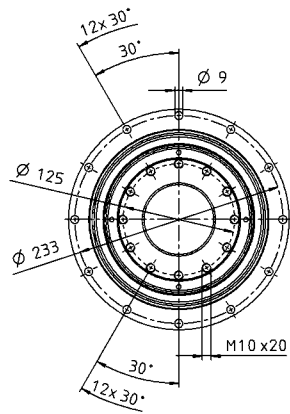
View B

2-stage

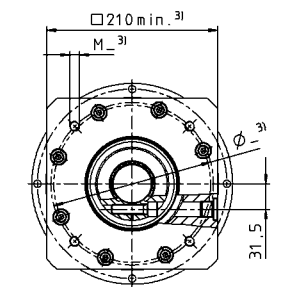
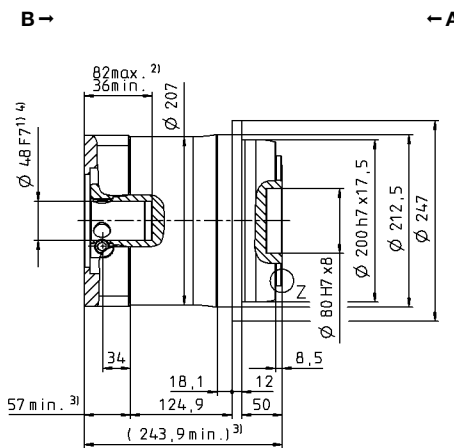
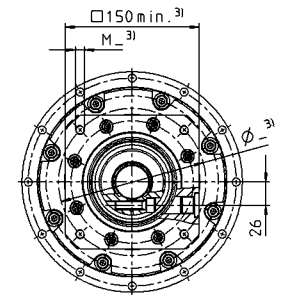
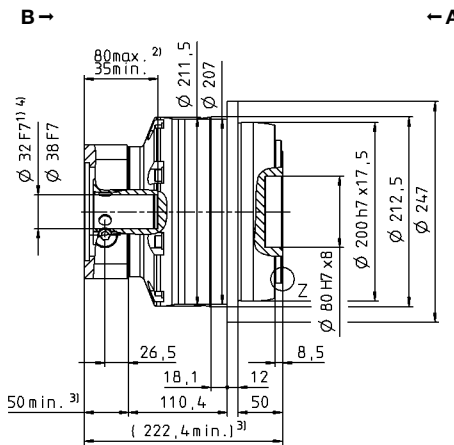
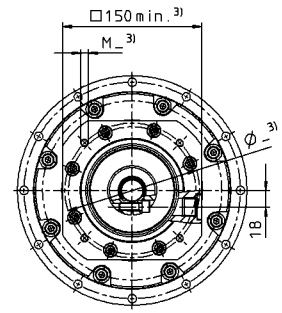
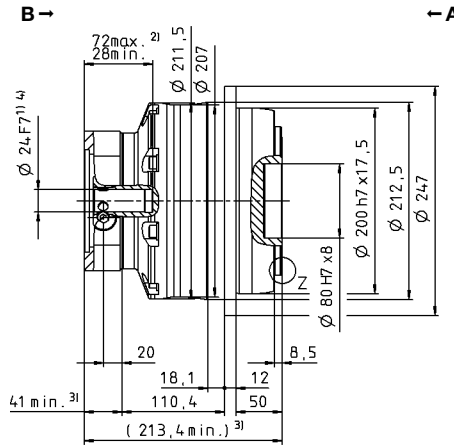
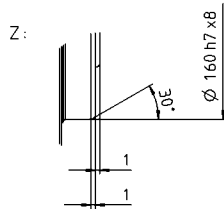
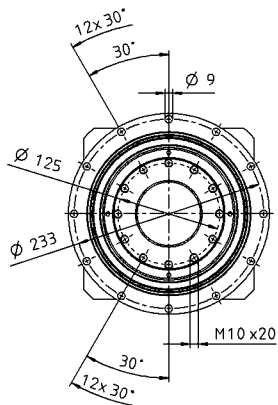
up to 24⁴⁾ (G) clamping hub diameter



up to 32/38⁴⁾ (I/K⁵⁾ clamping hub diameter



up to 48⁴⁾ (M) clamping hub diameter



Non-tolerated dimensions are nominal dimensions

¹⁾ Check motor shaft fit

²⁾ Min./Max. permissible motor shaft length. Longer motor shafts are possible, please contact alpha.

³⁾ The dimensions depend on the motor

⁴⁾ Smaller motor shaft diameter is compensated by a bushing with a minimum thickness of 1 mm

⁵⁾ Standard clamping hub diameter

Motor shaft diameter [mm]

Planetary gearboxes

TP*

MF

TP+ 300 MF 1-stage

			1-stage					
Ratio	<i>i</i>		5	7	8	10		
Max. torque ^{a) b)}	T_{2a}	Nm	5600	5250	2800	2800		
		in.lb	49564	46467	24782	24782		
Max. acceleration torque ^{b)} (max. 1000 cycles per hour)	T_{2B}	Nm	4200	3960	2280	2280		
		in.lb	37173	35049	20180	20180		
Nominal torque (at n_n)	T_{2N}	Nm	1996	1835	1815	1794		
		in.lb	17666	16242	16063	15878		
Emergency stop torque ^{a) b)} (permitted 1000 times during the service life of the gearbox)	T_{2Not}	Nm	9900	9900	8557	8750		
		in.lb	87623	87623	75733	77445		
Permitted average input speed (at T_{2a} and 20 °C ambient temperature) ^{d)}	n_{1N}	rpm	1000	1400	1400	1700		
Max. input speed	n_{1Max}	rpm	3000	3000	3000	3000		
Mean no load running torque ^{b)} (at $n_1 = 2000$ rpm and 20 °C gearbox temperature)	T_{012}	Nm	20	14	14	8.8		
		in.lb	177	120	120	78		
Max. backlash	j_t	arcmin	Standard ≤ 3 / Reduced ≤ 1					
Torsional rigidity ^{b)}	C_{t21}	Nm/arcmin	1000	900	700	700		
		in.lb/arcmin	8851	7966	6196	6196		
Tilting rigidity	C_{2K}	Nm/arcmin	5560					
		in.lb/arcmin	49210					
Max. axial force ^{c)}	F_{2AMax}	N	33000					
		lb _f	7425					
Max. tilting moment	M_{2KMax}	Nm	3900					
		in.lb	34518					
Efficiency at full load	η	%	95					
Service life	L_h	h	> 20000					
Weight (incl. standard adapter plate)	m	kg	60					
		lb _m	132.6					
Operating noise (at reference ratio and reference speed – ratio-specific values available in cymex [®])	L_{PA}	dB(A)	≤ 64					
Max. permitted housing temperature		°C	+90					
		F	194					
Ambient temperature		°C	-15 to +40					
		F	5 to 104					
Lubrication			Lubricated for life					
Direction of rotation			In- and output same direction					
Protection class			IP 65					
Metal bellows coupling (recommended product type – validate sizing with cymex [®])			-					
Bore diameter of coupling on the application side		mm	-					
Mass moment of inertia (relates to the drive) Clamping hub diameter [mm] Optimized mass inertia version available on request	N	55	J_1	kgcm ²	82.6	61.2	61.2	49.5
				10 ⁻³ in.lb.s ²	73.1	54.2	54.2	43.8

Please use our sizing software cymex[®] for a detailed sizing – www.wittenstein-cymex.com

^{a)} At max. 10 % M_{2KMax}

^{b)} Valid for standard clamping hub diameter

^{c)} Refers to center of the output shaft or flange

^{d)} Please reduce input speed at higher ambient temperatures

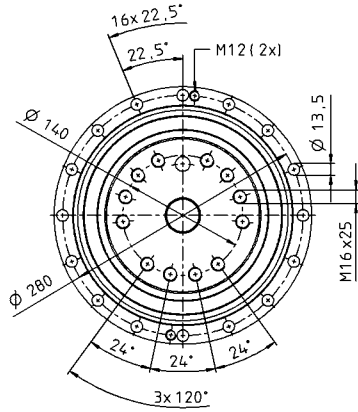
View A

View B

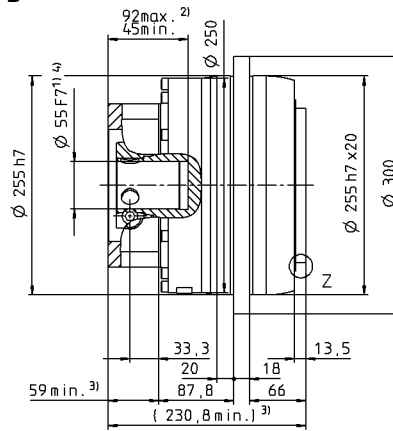
Motor shaft diameter [mm]

1-stage

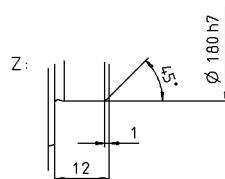
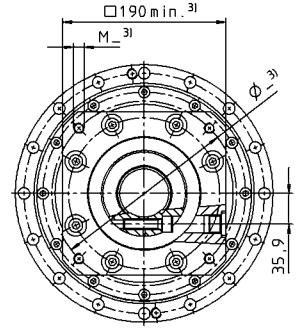
up to 55⁴⁾ (N)⁵⁾
clamping hub diameter



B →



← A



Non-tolerated dimensions are nominal dimensions

¹⁾ Check motor shaft fit

²⁾ Min./Max. permissible motor shaft length. Longer motor shafts are possible, please contact alpha.

³⁾ The dimensions depend on the motor

⁴⁾ Smaller motor shaft diameter is compensated by a bushing with a minimum thickness of 1 mm

⁵⁾ Standard clamping hub diameter

TP+ 300 MF 2-stage

				2-stage												
Ratio	i			20	21	25	31	32	35	50	61	64	70	91	100	
Max. torque ^{a) b)}	T_{2a}	Nm		3850	3740	3949	3850	3630	3949	3600	3080	2800	3630	2800	2800	
		in.lb		34076	33102	34947	34076	32128	34947	31863	27260	24782	32128	24782	24782	
Max. acceleration torque ^{b)} (max. 1000 cycles per hour)	T_{2B}	Nm		3850	3740	3949	3850	3630	3949	3600	3080	2800	3630	2800	2800	
		in.lb		34076	33102	34952	34076	32128	34952	31863	27260	24782	32128	24782	24782	
Nominal torque (at n_n)	T_{2N}	Nm		1354	1456	1676	2114	2353	1710	1722	2070	2240	2339	2240	2240	
		in.lb		11981	12888	14834	18709	20823	15131	15238	18320	19826	20698	19826	19826	
Emergency stop torque ^{a) b)} (permitted 1000 times during the service life of the gearbox)	T_{2Not}	Nm		9900	9870	9900	9156	9900	9900	9900	9008	9900	9900	8750	8750	
		in.lb		87623	87357	87623	81035	87623	87623	87623	79728	87623	87623	77445	77445	
Permitted average input speed (at T_{2a} and 20 °C ambient temperature) ^{d)}	n_{1N}	rpm		2000	2000	2000	2000	2000	2000	2300	2400	2300	2400	2500	2500	
Max. input speed	n_{1Max}	rpm		4375	4375	4375	4375	4375	4375	4375	4375	4375	4375	4375	4375	
Mean no load running torque ^{b)} (at $n_1 = 2000$ rpm and 20 °C gearbox temperature)	T_{012}	Nm		6.7	5.5	5.5	4.8	5.5	4.0	3.8	2.8	3.8	3.0	2.8	2.4	
		in.lb		59	49	48	43	48	35	34	25	34	26	25	21	
Max. backlash	j_t	arcmin		Standard ≤ 3 / Reduced ≤ 2												
Torsional rigidity ^{b)}	C_{t21}	Nm/arcmin		850	800	950	750	950	900	800	700	800	800	600	650	
		in.lb/arcmin		7523	7081	8408	6638	8408	7966	7081	6196	7081	7081	5310	5753	
Tilting rigidity	C_{2K}	Nm/arcmin		5560												
		in.lb/arcmin		49210												
Max. axial force ^{c)}	F_{2AMax}	N		33000												
		lb _f		7425												
Max. tilting moment	M_{2KMax}	Nm		5900												
		in.lb		52220												
Efficiency at full load	η	%		94												
Service life	L_h	h		> 20000												
Weight (incl. standard adapter plate)	m	kg		58.5												
		lb _m		129.3												
Operating noise (at reference ratio and reference speed – ratio-specific values available in cymex [®])	L_{PA}	dB(A)		≤ 61												
				+90												
Max. permitted housing temperature		°C		+90												
		F		194												
Ambient temperature		°C		-15 to +40												
		F		5 to 104												
Lubrication				Lubricated for life												
Direction of rotation				In- and output same direction												
Protection class				IP 65												
Metal bellows coupling (recommended product type – validate sizing with cymex [®])				-												
Bore diameter of coupling on the application side		mm		-												
Mass moment of inertia (relates to the drive) Clamping hub diameter [mm] Optimized mass inertia version available on request	M	48	J_1	kgcm ²	27.5	27.0	25.9	25.6	22.4	22.4	21.5	21.4	25.8	21.3	21.2	21.2
				10 ⁻³ in.lb.s ²	24.3	23.9	22.9	22.7	19.8	19.8	19.0	18.9	22.8	18.9	18.8	18.8

Please use our sizing software cymex[®] for a detailed sizing – www.wittenstein-cymex.com

^{a)} At max. 10 % M_{2KMax}

^{b)} Valid for standard clamping hub diameter

^{c)} Refers to center of the output shaft or flange

^{d)} Please reduce input speed at higher ambient temperatures

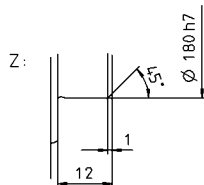
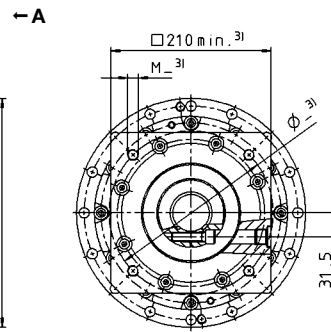
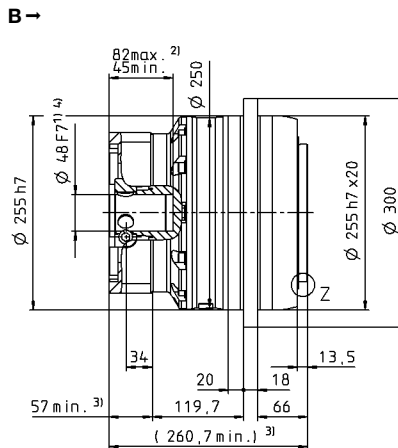
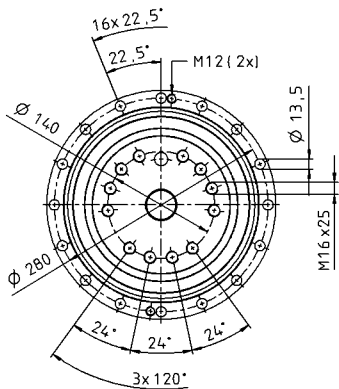
View A

View B

Motor shaft diameter [mm]

2-stage

up to 48⁴⁾ (M)⁵⁾
clamping hub
diameter



- Non-tolerated dimensions are nominal dimensions
- ¹⁾ Check motor shaft fit
 - ²⁾ Min./Max. permissible motor shaft length. Longer motor shafts are possible, please contact alpha.
 - ³⁾ The dimensions depend on the motor
 - ⁴⁾ Smaller motor shaft diameter is compensated by a bushing with a minimum thickness of 1 mm
 - ⁵⁾ Standard clamping hub diameter

Planetary gearboxes

TP+

MF

TP+ 500 MF 1-stage

			1-stage				
Ratio	<i>i</i>		5	7	8	10	
Max. torque ^{a) b)}	T_{2a}	Nm	9600	6790	4000	4000	
		in.lb	84968	60097	35403	35403	
Max. acceleration torque ^{b)} (max. 1000 cycles per hour)	T_{2B}	Nm	7200	6000	4000	4000	
		in.lb	63726	53105	35403	35403	
Nominal torque (at n_n)	T_{2N}	Nm	3131	2857	2830	2840	
		in.lb	27711	25286	25049	25135	
Emergency stop torque ^{a) b)} (permitted 1000 times during the service life of the gearbox)	T_{2Not}	Nm	15000	15000	15000	15000	
		in.lb	132762	132762	132762	132762	
Permitted average input speed (at T_{2a} and 20 °C ambient temperature) ^{d)}	n_{1N}	rpm	900	1300	1300	1500	
Max. input speed	n_{1Max}	rpm	3000	3000	3000	3000	
Mean no load running torque ^{b)} (at $n_1 = 2000$ rpm and 20 °C gearbox temperature)	T_{012}	Nm	27	19	19	12	
		in.lb	242	170	170	110	
Max. backlash	j_t	arcmin	Standard ≤ 3 / Reduced ≤ 1				
Torsional rigidity ^{b)}	C_{t21}	Nm/arcmin	1450	1300	1100	1100	
		in.lb/arcmin	12834	11506	9736	9736	
Tilting rigidity	C_{2K}	Nm/arcmin	9480				
		in.lb/arcmin	83906				
Max. axial force ^{c)}	F_{2AMax}	N	50000				
		lb _f	11250				
Max. tilting moment	M_{2KMax}	Nm	5500				
		in.lb	48679				
Efficiency at full load	η	%	95				
Service life	L_h	h	> 20000				
Weight (incl. standard adapter plate)	m	kg	82				
		lb _m	181.2				
Operating noise (at reference ratio and reference speed – ratio-specific values available in cymex [®])	L_{PA}	dB(A)	≤ 64				
Max. permitted housing temperature		°C	+90				
		F	194				
Ambient temperature		°C	-15 to +40				
		F	5 to 104				
Lubrication			Lubricated for life				
Direction of rotation			In- and output same direction				
Protection class			IP 65				
Metal bellows coupling (recommended product type – validate sizing with cymex [®])			-				
Bore diameter of coupling on the application side		mm	-				
Mass moment of inertia (relates to the drive) Clamping hub diameter [mm] Optimized mass inertia version available on request	O 60	J_1	kgcm ²	182	142	142	120
			10 ⁻³ in.lb.s ²	161	126	126	106

Please use our sizing software cymex[®] for a detailed sizing – www.wittenstein-cymex.com

- ^{a)} At max. 10 % M_{2KMax}
- ^{b)} Valid for standard clamping hub diameter
- ^{c)} Refers to center of the output shaft or flange
- ^{d)} Please reduce input speed at higher ambient temperatures

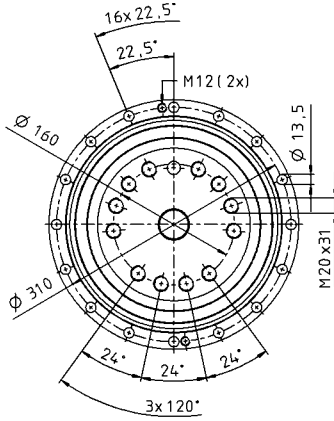
View A

View B

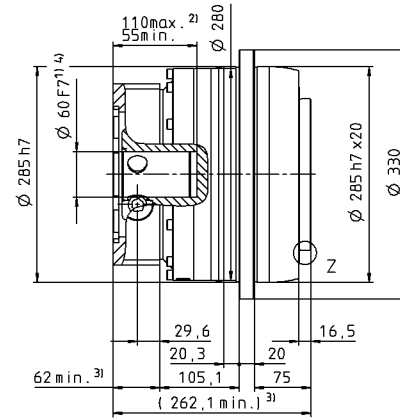
Motor shaft diameter [mm]

up to 60⁴⁾ (O)⁵⁾
clamping hub diameter

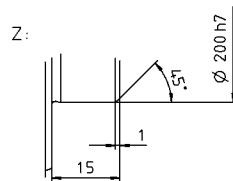
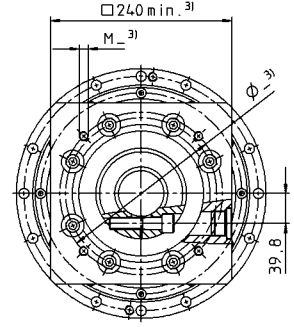
1-stage



B →



← A



Non-tolerated dimensions are nominal dimensions

¹⁾ Check motor shaft fit

²⁾ Min./Max. permissible motor shaft length. Longer motor shafts are possible, please contact alpha.

³⁾ The dimensions depend on the motor

⁴⁾ Smaller motor shaft diameter is compensated by a bushing with a minimum thickness of 1 mm

⁵⁾ Standard clamping hub diameter

TP+ 500 MF 2-stage

				2-stage												
Ratio	<i>i</i>			20	21	25	31	32	35	50	61	64	70	91	100	
Max. torque ^{a) b)}	T_{2a}	Nm		5446	5718	6808	6354	5500	6808	4975	5280	4800	5500	4800	4800	
		in.lb		48202	50612	60252	56239	48679	60252	44033	46732	42484	48679	42484	42484	
Max. acceleration torque ^{b)} (max. 1000 cycles per hour)	T_{2B}	Nm		5446	5718	6808	6324	5500	6808	4975	5280	4800	5500	4800	4800	
		in.lb		48202	50612	60252	56239	48679	60252	44033	46732	42484	48679	42484	42484	
Nominal torque (at n_n)	T_{2N}	Nm		3026	3270	3729	4086	4376	3828	3697	4224	3840	4400	3840	3840	
		in.lb		26785	28944	33002	36160	38730	33878	32720	37386	33987	38944	33987	33987	
Emergency stop torque ^{a) b)} (permitted 1000 times during the service life of the gearbox)	T_{2Not}	Nm		15000	13928	15000	10854	15000	15000	15000	10678	15000	15000	15000	15000	
		in.lb		132762	123274	132762	96063	132762	132762	132762	94513	132762	132762	132762	132762	
Permitted average input speed (at T_{2a} and 20 °C ambient temperature) ^{d)}	n_{1N}	rpm		1500	1500	1500	1500	1500	1500	2000	2100	2000	2100	2200	2200	
Max. input speed	n_{1Max}	rpm		4375	4375	4375	4375	4375	4375	4375	4375	4375	4375	4375	4375	
Mean no load running torque ^{b)} (at $n_1 = 2000$ rpm and 20 °C gearbox temperature)	T_{012}	Nm		10	9.6	9.2	7.0	9.2	7.0	5.8	3.4	5.8	4.5	3.5	3.6	
		in.lb		92	85	81	62	81	62	51	30	51	40	31	32	
Max. backlash	j_t	arcmin		Standard ≤ 3 / Reduced ≤ 2												
Torsional rigidity ^{b)}	C_{t21}	Nm/arcmin		1400	1200	1450	1200	1450	1400	1300	1100	1300	1250	950	1050	
		in.lb/arcmin		12391	10621	12834	10621	12834	12391	11506	9736	11506	11064	8408	9293	
Tilting rigidity	C_{2K}	Nm/arcmin		9480												
		in.lb/arcmin		83906												
Max. axial force ^{c)}	F_{2AMax}	N		50000												
		lb _f		11250												
Max. tilting moment	M_{2KMax}	Nm		8800												
		in.lb		77887												
Efficiency at full load	η	%		94												
Service life	L_h	h		> 20000												
Weight (incl. standard adapter plate)	m	kg		77.5												
		lb _m		171.3												
Operating noise (at reference ratio and reference speed – ratio-specific values available in cymex [®])	L_{PA}	dB(A)		≤ 60												
Max. permitted housing temperature		°C		+90												
		F		194												
Ambient temperature		°C		-15 to +40												
		F		5 to 104												
Lubrication				Lubricated for life												
Direction of rotation				In- and output same direction												
Protection class				IP 65												
Metal bellows coupling (recommended product type – validate sizing with cymex [®])				-												
Bore diameter of coupling on the application side		mm		-												
Mass moment of inertia (relates to the drive) Clamping hub diameter [mm] Optimized mass inertia version available on request	M	48	J_1	kgcm ²	24.8	35.9	40.2	33.7	35.4	27.4	27.4	25.4	25.8	31.0	25.0	25.2
				10 ⁻³ in.lb.s ²	21.9	31.8	35.6	29.8	31.3	24.2	24.2	22.5	22.8	27.4	22.1	22.3

Please use our sizing software cymex[®] for a detailed sizing – www.wittenstein-cymex.com

^{a)} At max. 10 % M_{2KMax}

^{b)} Valid for standard clamping hub diameter

^{c)} Refers to center of the output shaft or flange

^{d)} Please reduce input speed at higher ambient temperatures

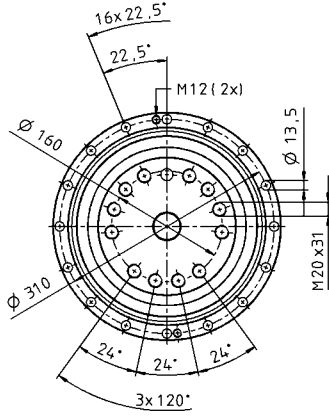
View A

View B

Motor shaft diameter [mm]

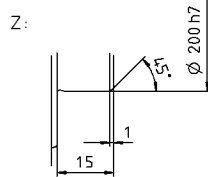
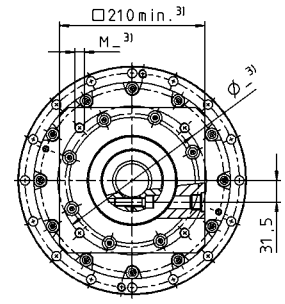
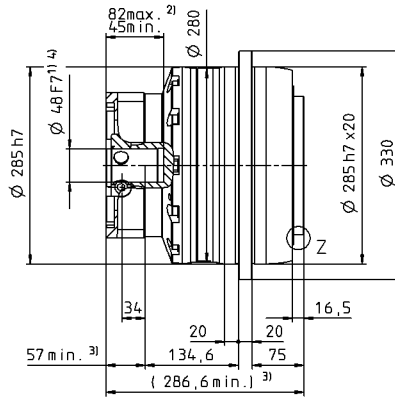
2-stage

up to 48⁴⁾ (M)⁵⁾
clamping hub diameter



B →

← A



Non-tolerated dimensions are nominal dimensions
¹⁾ Check motor shaft fit
²⁾ Min./Max. permissible motor shaft length. Longer motor shafts are possible, please contact alpha.
³⁾ The dimensions depend on the motor
⁴⁾ Smaller motor shaft diameter is compensated by a bushing with a minimum thickness of 1 mm
⁵⁾ Standard clamping hub diameter

TP+ 010 MA 2-/3-stage

			2-stage				3-stage					
Ratio	<i>i</i>		22	27.5	38.5	55	88	110	154	220		
Max. torque ^{a) b)}	T_{2a}	Nm	315	315	315	315	315	315	315	315		
		in.lb	2788	2788	2788	2788	2788	2788	2788	2788		
Max. acceleration torque ^{b)} (max. 1000 cycles per hour)	T_{2B}	Nm	230	230	230	230	230	230	230	230		
		in.lb	2036	2036	2036	2036	2036	2036	2036	2036		
Nominal torque (at n_n)	T_{2N}	Nm	140	137	139	147	184	184	181	184		
		in.lb	1242	1213	1230	1303	1629	1629	1599	1629		
Emergency stop torque ^{a) b)} (permitted 1000 times during the service life of the gearbox)	T_{2Not}	Nm	525	525	525	525	525	525	525	525		
		in.lb	4647	4647	4647	4647	4647	4647	4647	4647		
Permitted average input speed (at T_{2a} and 20 °C ambient temperature) ^{d)}	n_{1N}	rpm	4000	4000	4000	4000	4500	4500	4500	4500		
Max. input speed	n_{1Max}	rpm	7500	7500	7500	7500	7500	7500	7500	7500		
Mean no load running torque ^{b)} (at $n_1 = 3000$ rpm and 20 °C gearbox temperature)	T_{012}	Nm	0.52	0.47	0.41	0.38	0.28	0.26	0.22	0.18		
		in.lb	4.6	4.2	4.0	3.4	2.5	2.3	1.9	1.6		
Max. backlash	j_t	arcmin	≤ 1									
Torsional rigidity ^{b)}	C_{t21}	Nm/arcmin	43	43	43	42	42	42	42	42		
		in.lb/arcmin	381	381	381	372	372	372	372	372		
Tilting rigidity	C_{2K}	Nm/arcmin	225									
		in.lb/arcmin	1991									
Max. axial force ^{c)}	F_{2AMax}	N					2795					
		lb _f					629					
Max. tilting moment	M_{2KMax}	Nm					400					
		in.lb					3540					
Efficiency at full load	η	%	94									
Service life	L_h	h	> 20000									
Weight (incl. standard adapter plate)	<i>m</i>	kg	3.2				3.6					
		lb _m	7.1				8.0					
Operating noise (at reference ratio and reference speed – ratio-specific values available in cymex [®])	L_{PA}	dB(A)	≤ 56									
		°C	+90									
Max. permitted housing temperature		F	194									
		°C	-15 to +40									
Ambient temperature		F	5 to 104									
Lubrication			Lubricated for life									
Direction of rotation			In- and output same direction									
Protection class			IP 65									
Metal bellows coupling (recommended product type – validate sizing with cymex [®])			BCT-00150AAX-050.00									
Bore diameter of coupling on the application side		mm	X = 016.000 - 038.000									
Mass moment of inertia (relates to the drive) Clamping hub diameter [mm] Optimized mass inertia version available on request	C	14	J_1	kgcm ²	0.21	0.18	0.16	0.14	0.16	0.15	0.14	0.13
				10 ⁻³ in.lb.s ²	0.19	0.16	0.14	0.12	0.14	0.13	0.12	0.12
	E	19	J_1	kgcm ²	0.52	0.50	0.47	0.46	-	-	-	-
				10 ⁻³ in.lb.s ²	0.46	0.44	0.42	0.41	-	-	-	-

Please use our sizing software cymex[®] for a detailed sizing – www.wittenstein-cymex.com

^{a)} At max. 10 % M_{2KMax}

^{b)} Valid for standard clamping hub diameter

^{c)} Refers to center of the output shaft or flange

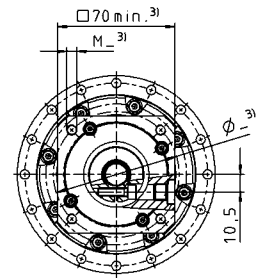
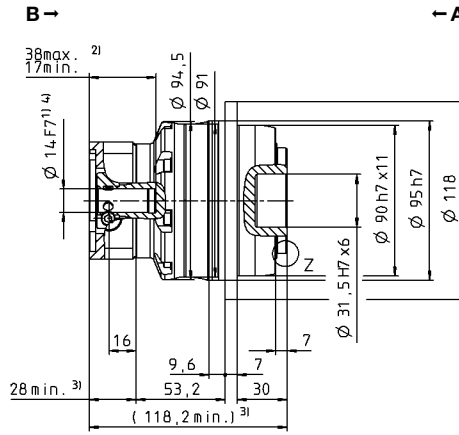
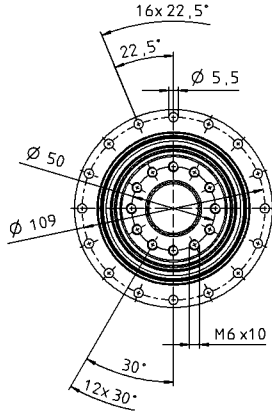
^{d)} Please reduce input speed at higher ambient temperatures

View A

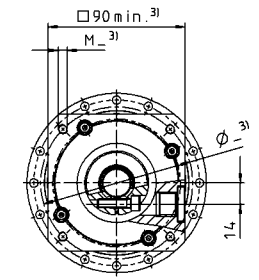
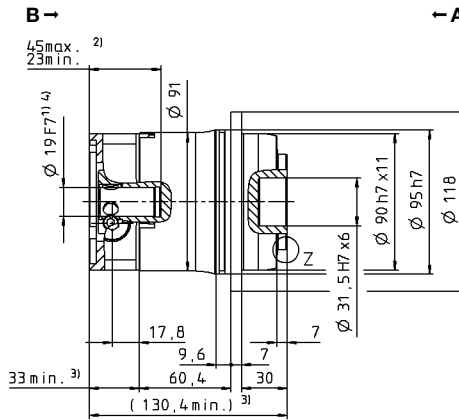
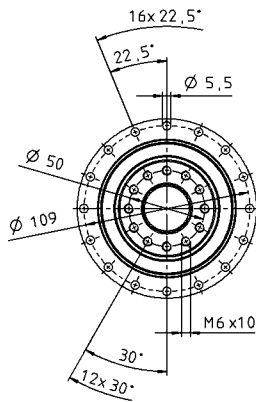
View B

2-stage

up to 14⁴⁾ (C)⁵⁾
clamping hub diameter



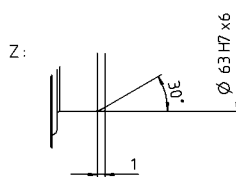
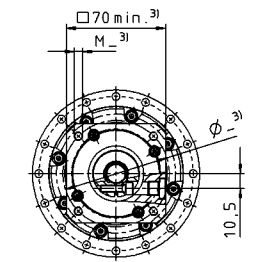
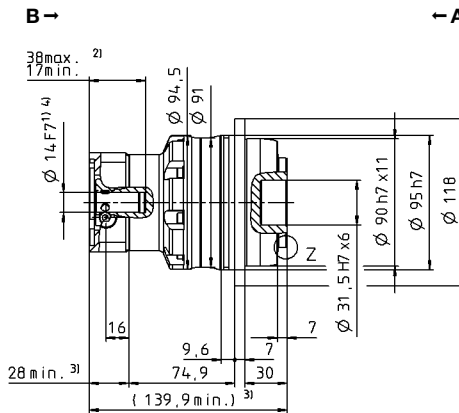
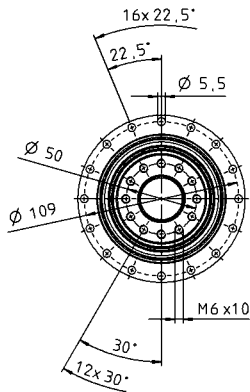
up to 19⁴⁾ (E)
clamping hub diameter



Motor shaft diameter [mm]

3-stage

up to 14⁴⁾ (C)⁵⁾
clamping hub diameter



Non-tolerated dimensions are nominal dimensions

¹⁾ Check motor shaft fit

²⁾ Min./Max. permissible motor shaft length. Longer motor shafts are possible, please contact alpha.

³⁾ The dimensions depend on the motor

⁴⁾ Smaller motor shaft diameter is compensated by a bushing with a minimum thickness of 1 mm

⁵⁾ Standard clamping hub diameter

Planetary gearboxes

TP+

MA

TP+ 025 MA 2-/3-stage

			2-stage				3-stage						
Ratio	<i>i</i>		22	27.5	38.5	55	66	88	110	154	220		
Max. torque ^{a) b)}	T_{2a}	Nm	583	583	583	583	525	525	525	525	525		
		in.lb	5160	5160	5160	5160	4645	4645	4645	4645	4645		
Max. acceleration torque ^{b)} (max. 1000 cycles per hour)	T_{2B}	Nm	530	530	530	530	480	480	480	480	480		
		in.lb	4691	4691	4691	4691	4248	4248	4248	4248	4248		
Nominal torque (at n_n)	T_{2N}	Nm	312	314	371	413	260	276	296	330	364		
		in.lb	2762	2775	3286	3652	2304	2447	2617	2920	3222		
Emergency stop torque ^{a) b)} (permitted 1000 times during the service life of the gearbox)	T_{2Not}	Nm	1200	1200	1200	1200	1200	1200	1200	1200	1200		
		in.lb	10621	10621	10621	10621	10621	10621	10621	10621	10621		
Permitted average input speed (at T_{2a} and 20 °C ambient temperature) ^{d)}	n_{1N}	rpm	3500	3500	3500	3500	4000	4000	4000	4000	4000		
Max. input speed	n_{1Max}	rpm	7500	7500	7500	7500	7500	7500	7500	7500	7500		
Mean no load running torque ^{b)} (at $n_1 = 3000$ rpm and 20 °C gearbox temperature)	T_{012}	Nm	1.0	0.87	0.78	0.70	0.62	0.52	0.44	0.35	0.27		
		in.lb	9.2	7.7	6.9	6.2	5.5	4.6	3.9	3.1	2.4		
Max. backlash	j_t	arcmin	≤ 1										
Torsional rigidity ^{b)}	C_{t21}	Nm/arcmin	105	105	105	100	95	95	95	95	95		
		in.lb/arcmin	929	929	929	885	841	841	841	841	841		
Tilting rigidity	C_{2K}	Nm/arcmin	550										
		in.lb/arcmin	4868										
Max. axial force ^{c)}	F_{2AMax}	N	4800										
		lb _f	1080										
Max. tilting moment	M_{2KMax}	Nm	550										
		in.lb	4868										
Efficiency at full load	η	%	94										
Service life	L_h	h	> 20000										
Weight (incl. standard adapter plate)	m	kg	5.6				6.1						
		lb _m	12.4				13.5						
Operating noise (at reference ratio and reference speed – ratio-specific values available in cymex [®])	L_{PA}	dB(A)	≤ 58				≤ 56						
Max. permitted housing temperature		°C	+90										
		F	194										
Ambient temperature		°C	-15 to +40										
		F	5 to 104										
Lubrication			Lubricated for life										
Direction of rotation			In- and output same direction										
Protection class			IP 65										
Metal bellows coupling (recommended product type – validate sizing with cymex [®])			BCT-00300AAX-063.00										
Bore diameter of coupling on the application side		mm	X = 030.000 - 056.000										
Mass moment of inertia (relates to the drive) Clamping hub diameter [mm] Optimized mass inertia version available on request	E	19	J_1	kgcm ²	0.87	0.7	0.6	0.55	0.63	0.56	0.53	0.51	0.50
				10 ⁻³ in.lb.s ²	0.77	0.62	0.53	0.49	0.56	0.50	0.47	0.45	0.44
	G	24	J_1	kgcm ²	2.39	2.22	2.12	2.07	-	-	-	-	-
				10 ⁻³ in.lb.s ²	2.12	1.96	1.88	1.83	-	-	-	-	-

Please use our sizing software cymex[®] for a detailed sizing – www.wittenstein-cymex.com

^{a)} At max. 10 % M_{2KMax}

^{b)} Valid for standard clamping hub diameter

^{c)} Refers to center of the output shaft or flange

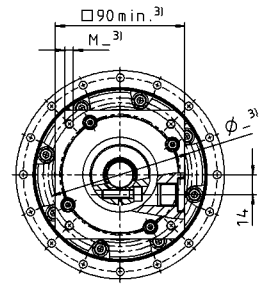
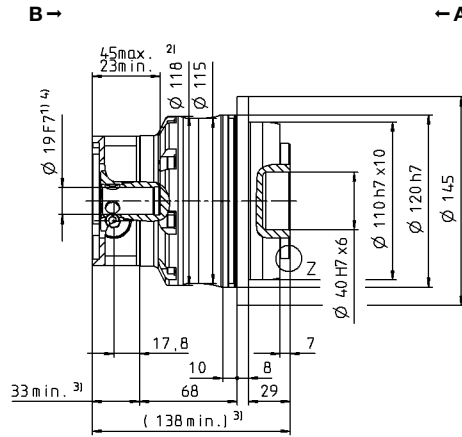
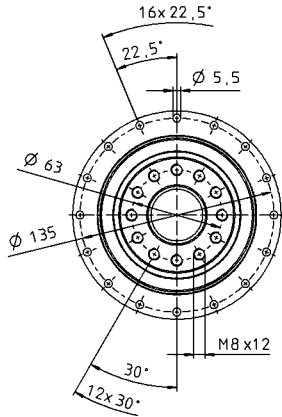
^{d)} Please reduce input speed at higher ambient temperatures

View A

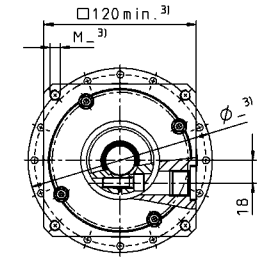
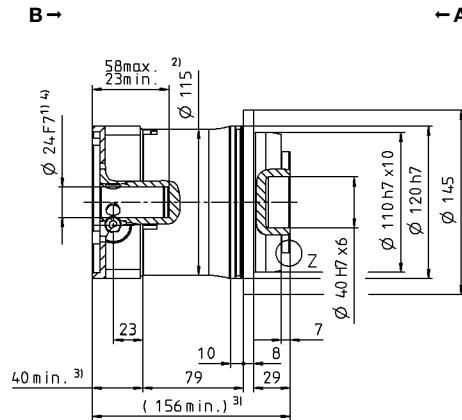
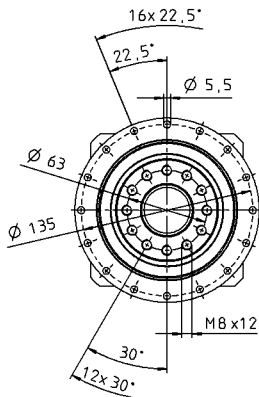
View B

2-stage

up to 19⁴⁾ (E)⁵⁾
clamping hub
diameter



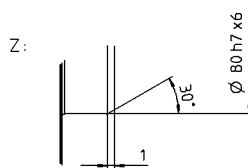
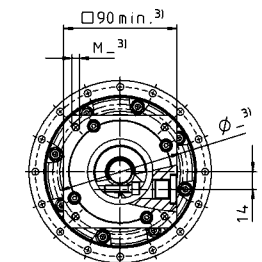
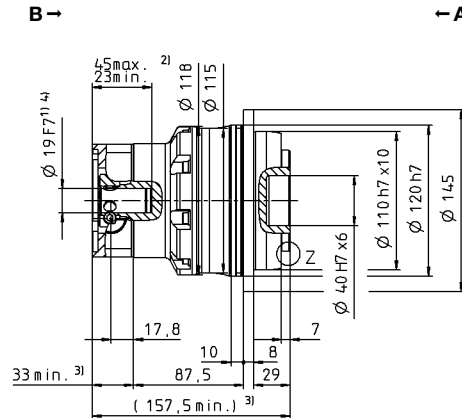
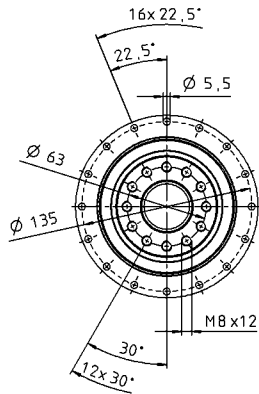
up to 24⁴⁾ (G)
clamping hub
diameter



Motor shaft diameter [mm]

3-stage

up to 19⁴⁾ (E)⁵⁾
clamping hub
diameter



Non-tolerated dimensions are nominal dimensions
¹⁾ Check motor shaft fit
²⁾ Min./Max. permissible motor shaft length. Longer motor shafts are possible, please contact alpha.
³⁾ The dimensions depend on the motor
⁴⁾ Smaller motor shaft diameter is compensated by a bushing with a minimum thickness of 1 mm
⁵⁾ Standard clamping hub diameter

TP+ 050 MA 2-/3-stage

			2-stage				3-stage						
Ratio	<i>i</i>		22	27.5	38.5	55	66	88	110	154	220		
Max. torque ^{a) b)}	T_{2a}	Nm	1402	1402	1402	1402	1402	1402	1402	1402	1402		
		in.lb	12406	12406	12406	12406	12406	12406	12406	12406	12406		
Max. acceleration torque ^{b)} (max. 1000 cycles per hour)	T_{2B}	Nm	992	992	992	992	992	992	992	992	992		
		in.lb	8780	8780	8780	8780	8780	8780	8780	8780	8780		
Nominal torque (at n_n)	T_{2N}	Nm	523	566	638	717	723	794	794	794	794		
		in.lb	4632	5005	5649	6348	6400	7024	7024	7024	7024		
Emergency stop torque ^{a) b)} (permitted 1000 times during the service life of the gearbox)	T_{2Not}	Nm	2375	2375	2375	2375	2375	2375	2375	2375	2375		
		in.lb	21021	21021	21021	21021	21021	21021	21021	21021	21021		
Permitted average input speed (at T_{2a} and 20 °C ambient temperature) ^{d)}	n_{1N}	rpm	3000	3000	3000	3000	3500	3500	3500	3500	3500		
Max. input speed	n_{1Max}	rpm	6250	6250	6250	6250	6250	6250	6250	6250	6250		
Mean no load running torque ^{b)} (at $n_i = 3000$ rpm and 20 °C gearbox temperature)	T_{012}	Nm	2.7	2.4	2.1	1.7	1.8	1.3	1.1	0.9	0.72		
		in.lb	23.9	21.2	18.9	15.0	15.9	11.5	10.1	8.0	6.4		
Max. backlash	j_t	arcmin	≤ 1										
Torsional rigidity ^{b)}	C_{t21}	Nm/arcmin	220	220	220	220	205	205	205	205	205		
		in.lb/arcmin	1947	1947	1947	1947	1814	1814	1814	1814	1814		
Tilting rigidity	C_{2K}	Nm/arcmin	560										
		in.lb/arcmin	4956										
Max. axial force ^{c)}	F_{2AMax}	N					6130						
		lb _f					1379						
Max. tilting moment	M_{2KMax}	Nm					1335						
		in.lb					11816						
Efficiency at full load	η	%	94				92						
Service life	L_h	h	> 20000										
Weight (incl. standard adapter plate)	<i>m</i>	kg	12.5				13.4						
		lb _m	27.6				29.6						
Operating noise (at reference ratio and reference speed – ratio-specific values available in cymex [®])	L_{PA}	dB(A)	≤ 60				≤ 57						
Max. permitted housing temperature		°C	+90										
		F	194										
Ambient temperature		°C	-15 to +40										
		F	5 to 104										
Lubrication			Lubricated for life										
Direction of rotation			In- and output same direction										
Protection class			IP 65										
Metal bellows coupling (recommended product type – validate sizing with cymex [®])			BCT-00300AAX-080.00										
Bore diameter of coupling on the application side		mm	X = 045.000 - 056.000										
Mass moment of inertia (relates to the drive) Clamping hub diameter [mm] Optimized mass inertia version available on request	G	24	J_1	kgcm ²	3.80	3.33	3.00	2.80	2.60	2.40	2.20	2.10	2.10
				10 ⁻³ in.lb.s ²	3.36	2.95	2.66	2.48	2.30	2.10	1.90	1.90	1.90
	K	38	J_1	kgcm ²	10.7	10.3	9.90	9.70	-	-	-	-	-
				10 ⁻³ in.lb.s ²	9.47	9.12	8.76	8.58	-	-	-	-	-

Please use our sizing software cymex[®] for a detailed sizing – www.wittenstein-cymex.com

^{a)} At max. 10 % M_{2KMax}

^{b)} Valid for standard clamping hub diameter

^{c)} Refers to center of the output shaft or flange

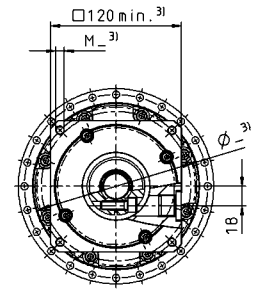
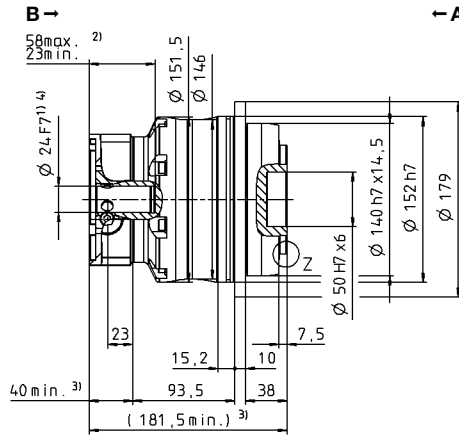
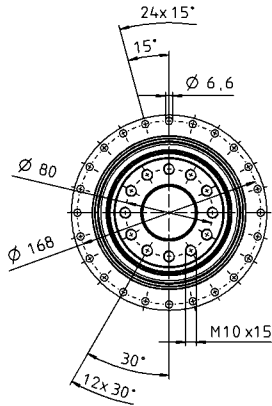
^{d)} Please reduce input speed at higher ambient temperatures

View A

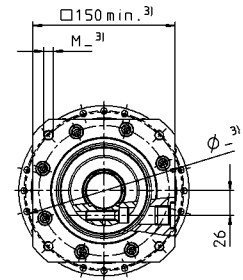
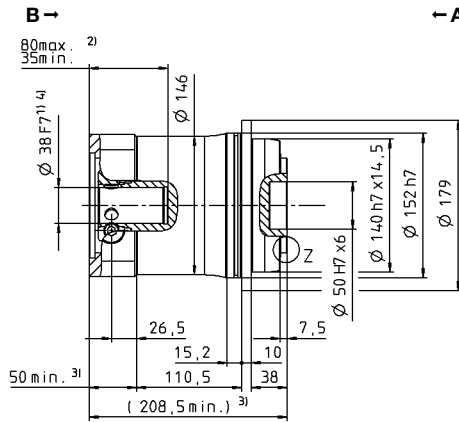
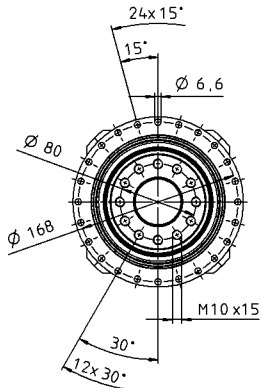
View B

2-stage

up to 24⁴⁾ (G)⁵⁾
clamping hub diameter



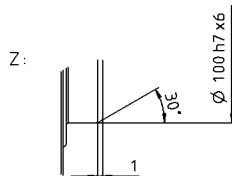
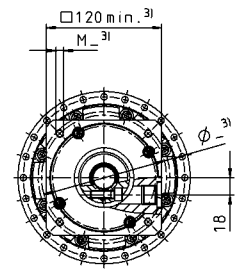
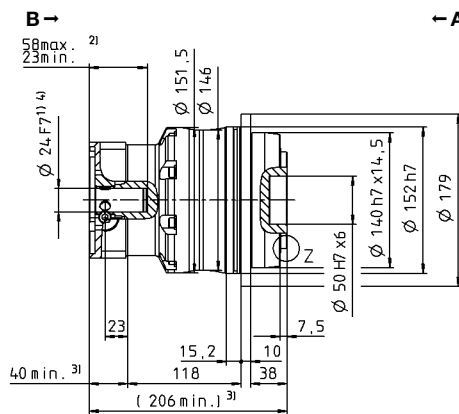
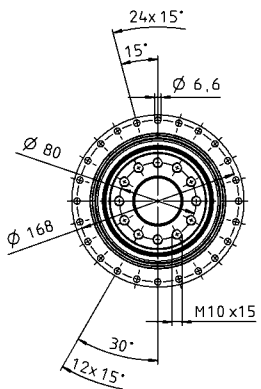
up to 38⁴⁾ (K)
clamping hub diameter



Motor shaft diameter [mm]

3-stage

up to 24⁴⁾ (G)⁵⁾
clamping hub diameter



Non-tolerated dimensions are nominal dimensions

¹⁾ Check motor shaft fit

²⁾ Min./Max. permissible motor shaft length. Longer motor shafts are possible, please contact alpha.

³⁾ The dimensions depend on the motor

⁴⁾ Smaller motor shaft diameter is compensated by a bushing with a minimum thickness of 1 mm

⁵⁾ Standard clamping hub diameter

TP+ 110 MA 2-/3-stage

			2-stage				3-stage						
Ratio	<i>i</i>		22	27.5	38.5	55	66	88	110	154	220		
Max. torque ^{a) b)}	T_{2a}	Nm	3822	3822	3822	3200	3023	3023	3023	3023	3023		
		in.lb	33826	33826	33826	28323	26757	26757	26757	26757	26757		
Max. acceleration torque ^{b)} (max. 1000 cycles per hour)	T_{2B}	Nm	3100	3100	3100	2400	2600	2600	2600	2600	2600		
		in.lb	27437	27437	27437	21242	23012	23012	23012	23012	23012		
Nominal torque (at n_n)	T_{2N}	Nm	1546	1662	2149	1827	1649	1797	1924	2080	2080		
		in.lb	13687	14708	19022	16169	14593	15909	17033	18410	18410		
Emergency stop torque ^{a) b)} (permitted 1000 times during the service life of the gearbox)	T_{2Not}	Nm	6500	6500	6500	6500	6500	6500	6500	6500	6500		
		in.lb	57530	57530	57530	57530	57530	57530	57530	57530	57530		
Permitted average input speed (at T_{2a} and 20 °C ambient temperature) ^{d)}	n_{1N}	rpm	2500	2500	2500	2500	3000	3000	3000	3000	3000		
Max. input speed	n_{1Max}	rpm	5625	5625	5625	5625	5625	5625	5625	5625	5625		
Mean no load running torque ^{b)} (at $n_1 = 3000$ rpm and 20 °C gearbox temperature)	T_{012}	Nm	6.2	5.5	4.8	4.3	3.8	3.0	2.6	1.8	1.6		
		in.lb	55.0	48.7	42.5	38.1	33.6	26.9	23	15.6	14.2		
Max. backlash	j_t	arcmin	≤ 1										
Torsional rigidity ^{b)}	C_{t21}	Nm/arcmin	730	725	715	670	650	650	650	650	650		
		in.lb/arcmin	6461	6417	6328	5930	5753	5753	5753	5753	5753		
Tilting rigidity	C_{2K}	Nm/arcmin	1452										
		in.lb/arcmin	12851										
Max. axial force ^{c)}	F_{2AMax}	N	10050										
		lb _f	2261										
Max. tilting moment	M_{2KMax}	Nm	3280										
		in.lb	29031										
Efficiency at full load	η	%	94										
Service life	L_h	h	> 20000										
Weight (incl. standard adapter plate)	m	kg	33.1				35.4						
		lb _m	73.2				78.2						
Operating noise (at reference ratio and reference speed – ratio-specific values available in cymex [®])	L_{PA}	dB(A)	≤ 61				≤ 59						
Max. permitted housing temperature		°C	+90										
		F	194										
Ambient temperature		°C	-15 to +40										
		F	5 to 104										
Lubrication			Lubricated for life										
Direction of rotation			In- and output same direction										
Protection class			IP 65										
Metal bellows coupling (recommended product type – validate sizing with cymex [®])			BCT-01500AAX-125.00										
Bore diameter of coupling on the application side		mm	X = 055.000 - 070.000										
Mass moment of inertia (relates to the drive) Clamping hub diameter [mm] Optimized mass inertia version available on request	K	38	J_1	kgcm ²	16.6	15.2	13.9	13.1	13.8	10.2	9.80	9.50	9.20
				10 ⁻³ in.lb.s ²	14.7	13.5	12.3	11.6	12.2	9.00	8.70	8.40	8.10
	M	48	J_1	kgcm ²	31.4	29.9	28.7	28.0	-	-	-	-	-
				10 ⁻³ in.lb.s ²	27.8	26.5	25.4	24.8	-	-	-	-	-

Please use our sizing software cymex[®] for a detailed sizing – www.wittenstein-cymex.com

^{a)} At max. 10 % M_{2KMax}

^{b)} Valid for standard clamping hub diameter

^{c)} Refers to center of the output shaft or flange

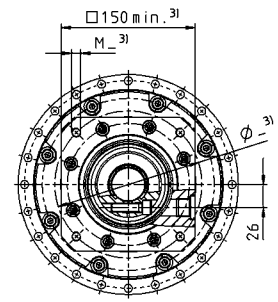
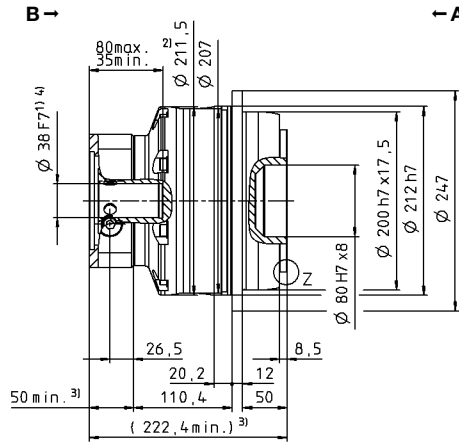
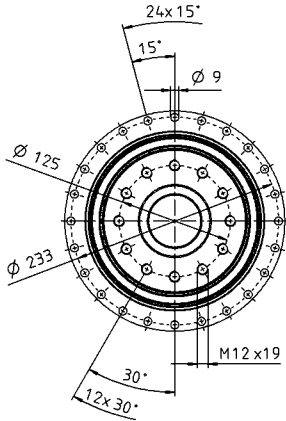
^{d)} Please reduce input speed at higher ambient temperatures

View A

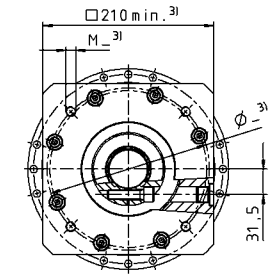
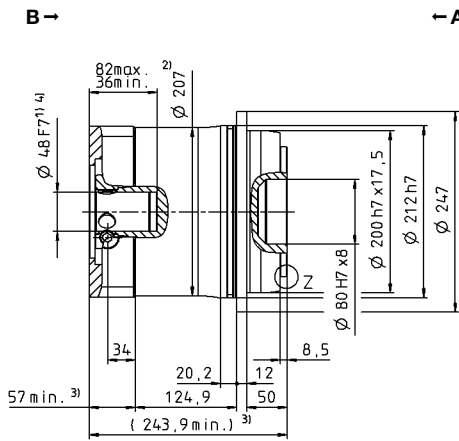
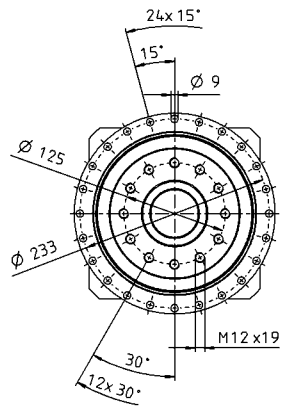
View B

2-stage

up to 38⁴⁾ (K)⁵⁾
clamping hub diameter



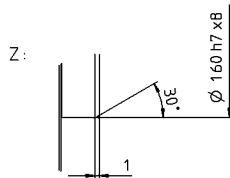
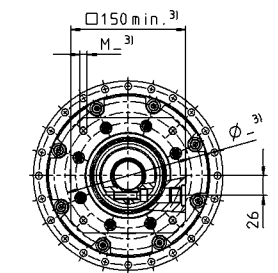
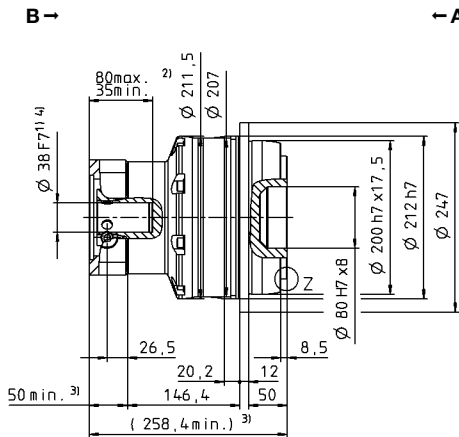
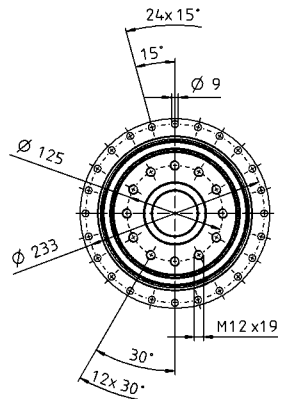
up to 48⁴⁾ (M)
clamping hub diameter



Motor shaft diameter [mm]

3-stage

up to 38⁴⁾ (K)⁵⁾
clamping hub diameter



Non-tolerated dimensions are nominal dimensions

¹⁾ Check motor shaft fit

²⁾ Min./Max. permissible motor shaft length. Longer motor shafts are possible, please contact alpha.

³⁾ The dimensions depend on the motor

⁴⁾ Smaller motor shaft diameter is compensated by a bushing with a minimum thickness of 1 mm

⁵⁾ Standard clamping hub diameter

TP+ 300 MA 1-/2-/3-stage

				1-stage					2-stage				3-stage			
Ratio	<i>i</i>			5.5	22	27.5	38.5	55	66	88	110	154	220			
Max. torque ^{a) b)}	T_{2a}	<i>Nm</i>		7360	7535	7535	7535	5473	6987	6987	6987	6987	6987			
		<i>in.lb</i>		65142	66691	66691	66691	48436	61838	61838	61838	61838	61838	61838		
Max. acceleration torque ^{b)} (max. 1000 cycles per hour)	T_{2B}	<i>Nm</i>		5520	6600	6600	6600	4680	6600	6600	6600	6600	6600			
		<i>in.lb</i>		48856	58415	58415	58415	41422	58415	58415	58415	58415	58415	58415		
Nominal torque (at n_n)	T_{2N}	<i>Nm</i>		2829	3566	3788	3884	3744	3216	3506	3750	4148	4617			
		<i>in.lb</i>		25035	31563	33530	34378	33137	28465	31035	33186	36711	40863			
Emergency stop torque ^{a) b)} (permitted 1000 times during the service life of the gearbox)	T_{2Not}	<i>Nm</i>		10938	15333	15333	15296	15333	15333	15333	15333	15333	15333			
		<i>in.lb</i>		96806	135709	135709	135377	135709	135709	135709	135709	135709	135709	135709		
Permitted average input speed (at T_{2a} and 20 °C ambient temperature) ^{d)}	n_{1N}	<i>rpm</i>		1000	2000	2000	2000	2000	2000	2000	2000	2000	2000			
Max. input speed	n_{1Max}	<i>rpm</i>		3125	4375	4375	4375	4375	4375	4375	4375	4375	4375			
Mean no load running torque ^{b)} (at $n_i = 2000$ rpm and 20 °C gearbox temperature)	T_{012}	<i>Nm</i>		19	8.8	7.8	6.8	5.9	5.2	3.6	3.1	2.1	1.5			
		<i>in.lb</i>		170	78	69	60	52	46	32	27	19	13			
Max. backlash	j_t	<i>arcmin</i>		Standard ≤ 2 / Reduced ≤ 1	Standard ≤ 3 / Reduced ≤ 1.5											
Torsional rigidity ^{b)}	C_{t21}	<i>Nm/arcmin</i>		1200	1200	1200	1200	1200	1200	1200	1200	1200	1200			
		<i>in.lb/arcmin</i>		10621	10621	10621	10621	10621	10621	10621	10621	10621	10621			
Tilting rigidity	C_{2K}	<i>Nm/arcmin</i>		5560												
		<i>in.lb/arcmin</i>		49210												
Max. axial force ^{c)}	F_{2AMax}	<i>N</i>		33000												
		<i>lb_f</i>		7425												
Max. tilting moment	M_{2KMax}	<i>Nm</i>		3900	6500											
		<i>in.lb</i>		34518	57530											
Efficiency at full load	η	%		95	93											
Service life	L_h	<i>h</i>		> 20000												
Weight (incl. standard adapter plate)	<i>m</i>	<i>kg</i>		55	64				67							
		<i>lb_m</i>		122	141				148							
Operating noise (at reference ratio and reference speed – ratio-specific values available in cymex [®])	L_{PA}	<i>dB(A)</i>		≤ 65	≤ 62				≤ 59							
Max. permitted housing temperature		°C		+90												
		F		194												
Ambient temperature		°C		-15 to +40												
		F		5 to 104												
Lubrication				Lubricated for life												
Direction of rotation				In- and output same direction												
Protection class				IP 65												
Metal bellows coupling (recommended product type – validate sizing with cymex [®])				BCT-04000AAX-145.00												
Bore diameter of coupling on the application side		<i>mm</i>		X = 070.000 - 100.000												
Mass moment of inertia (relates to the drive) Clamping hub diameter [mm] Optimized mass inertia version available on request	K	38	J_1	<i>kgcm²</i>	-	-	-	-	-	16.6	12.9	11.6	10.3	9.50		
				<i>10⁻³ in.lb.s²</i>	-	-	-	-	-	14.7	11.4	10.3	9.10	8.40		
	M	48	J_1	<i>kgcm²</i>	-	30.8	27.6	24.9	23.0	-	-	-	-	-		
				<i>10⁻³ in.lb.s²</i>	-	27.3	24.4	22.0	20.4	-	-	-	-	-		
	N	55	J_1	<i>kgcm²</i>	129	-	-	-	-	-	-	-	-	-		
				<i>10⁻³ in.lb.s²</i>	114	-	-	-	-	-	-	-	-	-		

Please use our sizing software cymex[®] for a detailed sizing – www.wittenstein-cymex.com

^{a)} At max. 10 % M_{2KMax}

^{b)} Valid for standard clamping hub diameter

^{c)} Refers to center of the output shaft or flange

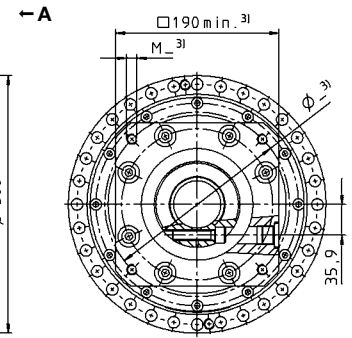
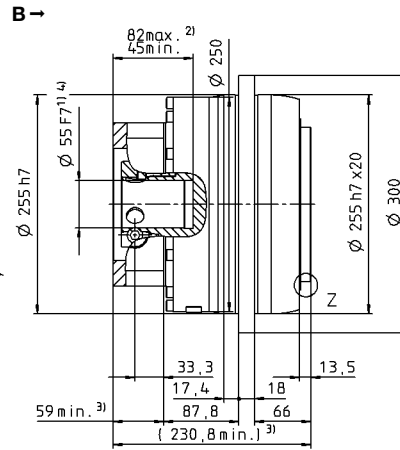
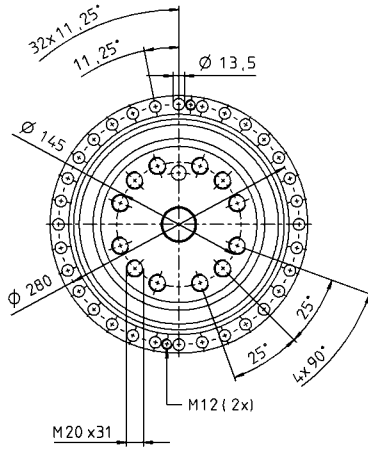
^{d)} Please reduce input speed at higher ambient temperatures

View A

View B

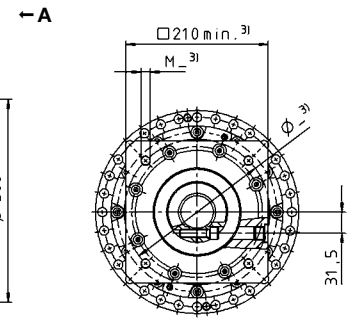
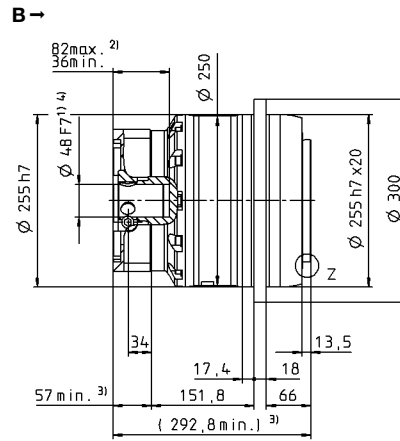
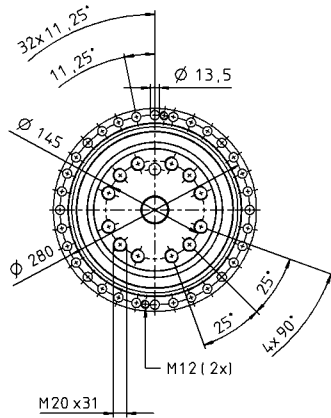
1-stage

up to 55⁴⁾ (N)⁵⁾
clamping hub diameter



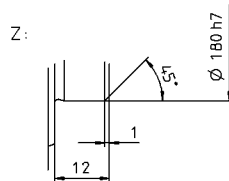
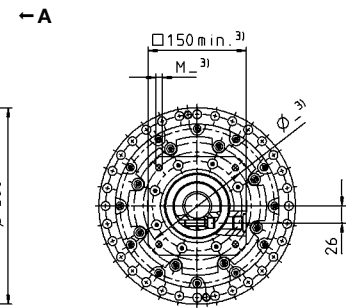
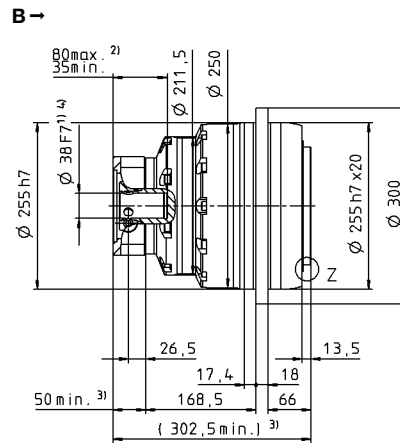
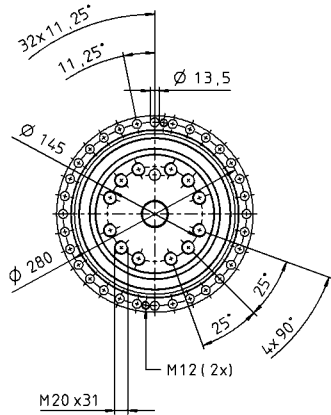
2-stage

up to 48⁴⁾ (M)⁵⁾
clamping hub diameter



3-stage

up to 38⁴⁾ (K)⁵⁾
clamping hub diameter



Non-tolerated dimensions are nominal dimensions

¹⁾ Check motor shaft fit

²⁾ Min./Max. permissible motor shaft length. Longer motor shafts are possible, please contact alpha.

³⁾ The dimensions depend on the motor

⁴⁾ Smaller motor shaft diameter is compensated by a bushing with a minimum thickness of 1 mm

⁵⁾ Standard clamping hub diameter

Motor shaft diameter [mm]

Planetary gearboxes

TP*

MA

TP+ 500 MA 1-/2-/3-stage

				1-stage	2-stage				3-stage					
Ratio	<i>i</i>			5.5	22	27.5	38.5	55	66	88	110	154	220	
Max. torque ^{a) b)}	T_{2a}	Nm		10450	10450	10450	10450	10450	10450	10450	10450	10450	10450	
		in.lb		92491	92491	92491	92491	92491	92491	92491	92491	92491	92491	
Max. acceleration torque ^{b)} (max. 1000 cycles per hour)	T_{2B}	Nm		9600	10450	10450	10450	8640	10450	10450	10450	10450	10450	
		in.lb		84968	92491	92491	92491	76471	92491	92491	92491	92491	92491	
Nominal torque (at n_n)	T_{2N}	Nm		4313	5068	4980	5057	5325	4941	7464	7396	7546	7907	
		in.lb		38174	44858	44075	44759	47129	43731	66060	65462	66792	69986	
Emergency stop torque ^{a) b)} (permitted 1000 times during the service life of the gearbox)	T_{2Not}	Nm		18750	25000	25000	25000	25000	25000	25000	25000	25000	25000	
		in.lb		165953	221270	221270	221270	221270	221270	221270	221270	221270	221270	
Permitted average input speed (at T_{2a} and 20 °C ambient temperature) ^{d)}	n_{1N}	rpm		900	1500	1500	1500	1500	1500	1500	1500	1500	1500	
Max. input speed	n_{1Max}	rpm		3125	4375	4375	4375	4375	4375	4375	4375	4375	4375	
Mean no load running torque ^{b)} (at $n_i = 2000$ rpm and 20 °C gearbox temperature)	T_{012}	Nm		27	11	10	8.9	7.8	6.8	5.0	4.7	3.6	3.0	
		in.lb		241	100	89	79	69	60	45	42	32	27	
Max. backlash	j_t	arcmin		Standard ≤ 2 / Reduced ≤ 1	Standard ≤ 3 / Reduced ≤ 1.5									
Torsional rigidity ^{b)}	C_{t21}	Nm/arcmin		2000	2000	2000	1950	1900	1800	1800	1800	1800	1800	
		in.lb/arcmin		17702	17702	17702	17259	16817	15931	15931	15931	15931	15931	
Tilting rigidity	C_{2K}	Nm/arcmin		9480										
		in.lb/arcmin		83906										
Max. axial force ^{c)}	F_{2AMax}	N		50000										
		lb _f		11250										
Max. tilting moment	M_{2KMax}	Nm		6600	9500									
		in.lb		58415	84083									
Efficiency at full load	η	%		95	93									
Service life	L_h	h		> 20000										
Weight (incl. standard adapter plate)	m	kg		80	80				89					
		lb _m		177	177				197					
Operating noise (at reference ratio and reference speed – ratio-specific values available in cymex [®])	L_{PA}	dB(A)		≤ 70	≤ 63				≤ 60					
Max. permitted housing temperature		°C		+90										
		F		194										
Ambient temperature		°C		-15 to +40										
		F		5 to 104										
Lubrication				Lubricated for life										
Direction of rotation				In- and output same direction										
Protection class				IP 65										
Metal bellows coupling (recommended product type – validate sizing with cymex [®])				BCT-10000AAX-166.00										
Bore diameter of coupling on the application side		mm		X = 080.000 - 180.000										
Mass moment of inertia (relates to the drive) Clamping hub diameter [mm] Optimized mass inertia version available on request	K	38	J_1	kgcm ²	-	-	-	-	-	17.9	13.5	11.9	10.5	9.70
				10 ⁻³ in.lb.s ²	-	-	-	-	-	15.8	11.9	10.5	9.30	8.60
	M	48	J_1	kgcm ²	-	43.8	36.9	30.5	27.0	32.7	28.3	26.7	25.2	24.4
				10 ⁻³ in.lb.s ²	-	38.8	32.7	27.0	23.9	28.9	25.0	23.6	22.3	21.6
	O	60	J_1	kgcm ²	175	-	-	-	-	-	-	-	-	-
				10 ⁻³ in.lb.s ²	155	-	-	-	-	-	-	-	-	-

Please use our sizing software cymex[®] for a detailed sizing – www.wittenstein-cymex.com

^{a)} At max. 10 % M_{2KMax}

^{b)} Valid for standard clamping hub diameter

^{c)} Refers to center of the output shaft or flange

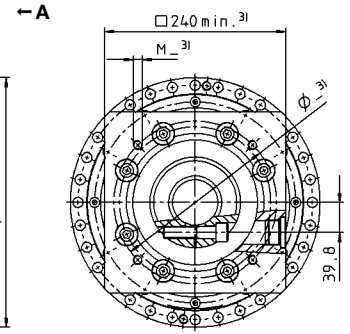
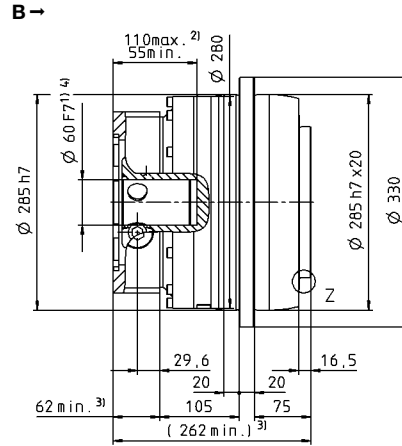
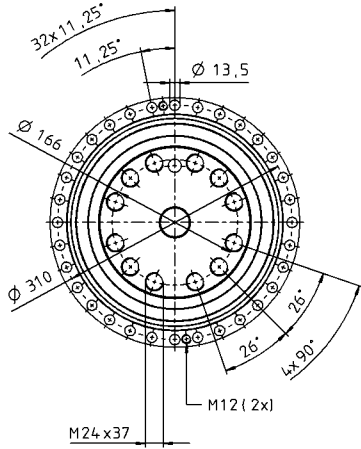
^{d)} Please reduce input speed at higher ambient temperatures

View A

View B

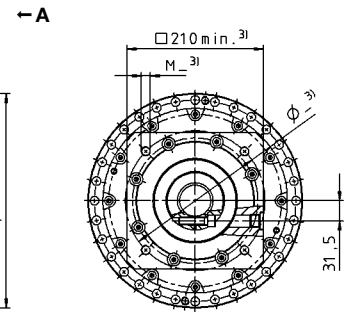
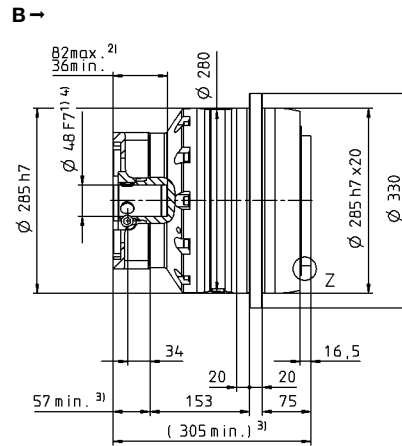
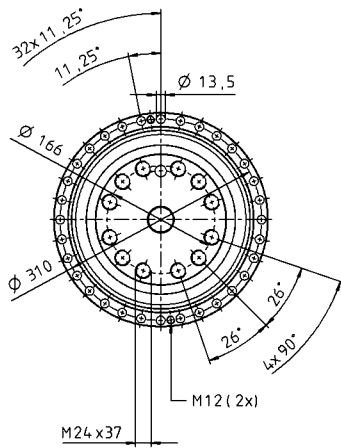
1-stage

up to 60⁴⁾ (O)⁵⁾
clamping hub diameter



2-stage

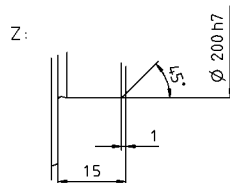
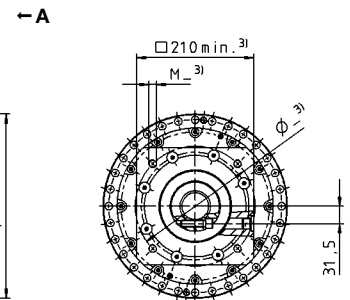
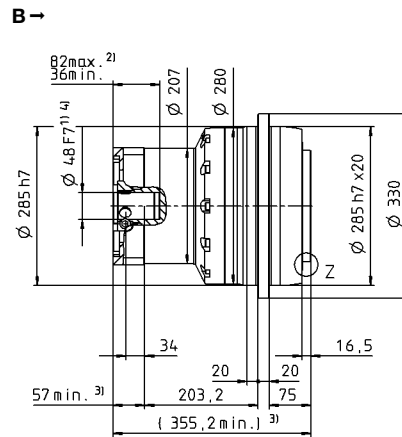
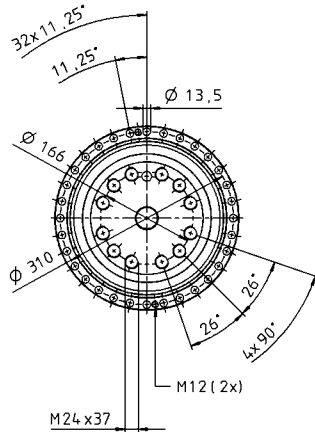
up to 48⁴⁾ (M)⁵⁾
clamping hub diameter



Motor shaft diameter [mm]

3-stage

up to 38/48⁴⁾
(K/M⁵⁾) clamping hub diameter



Non-tolerated dimensions are nominal dimensions

¹⁾ Check motor shaft fit

²⁾ Min./Max. permissible motor shaft length. Longer motor shafts are possible, please contact alpha.

³⁾ The dimensions depend on the motor

⁴⁾ Smaller motor shaft diameter is compensated by a bushing with a minimum thickness of 1 mm

⁵⁾ Standard clamping hub diameter

TP+ 2000 MA 2-/3-stage

			2-stage		3-stage								
Ratio	<i>i</i>		22	30.25	66	88	110	121	154	220	302.5		
Max. torque ^{a) b)}	T_{2a}	Nm	22000	22000	22000	22000	22000	22000	22000	15600	21500		
		in.lb	194718	194718	194718	194718	194718	194718	194718	138072	190292		
Max. acceleration torque ^{b)} (max. 1000 cycles per hour)	T_{2B}	Nm	22000	22000	22000	22000	22000	22000	22000	15600	21500		
		in.lb	194718	194718	194718	194718	194718	194718	194718	138072	190292		
Nominal torque (at n_n)	T_{2N}	Nm	13500	13500	13500	13500	13500	13500	13500	10000	13500		
		in.lb	119486	119486	119486	119486	119486	119486	119486	88508	119486		
Emergency stop torque ^{a) b)} (permitted 1000 times during the service life of the gearbox)	T_{2Not}	Nm	44000	44000	44000	44000	44000	44000	44000	44000	44000		
		in.lb	389435	389435	389435	389435	389435	389435	389435	389435	389435		
Permitted average input speed (at T_{2a} and 20 °C ambient temperature) ^{d)}	n_{1N}	rpm	2000	2000	2500	2500	2500	2500	2500	2500	2500		
Max. input speed	n_{1Max}	rpm	3000	3000	3500	3500	3500	3500	3500	3500	3500		
Mean no load running torque ^{b)} (at $n_1 = 2000$ rpm and 20 °C gearbox temperature)	T_{012}	Nm	17	13	7.5	6.0	5.0	5.0	4.5	4.0	4.0		
		in.lb	151	115	66	53	44	44	40	35	35		
Max. backlash	j_t	arcmin	≤ 3										
Torsional rigidity ^{b)}	C_{t21}	Nm/arcmin	2900	2900	3000	3000	3000	3000	2950	2850	2850		
		in.lb/arcmin	25667	25667	26552	26552	26552	26552	26110	25225	25225		
Tilting rigidity	C_{2K}	Nm/arcmin	13000										
		in.lb/arcmin	115060										
Max. axial force ^{c)}	F_{2AMax}	N	100000										
		lb _f	22500										
Max. tilting moment	M_{2KMax}	Nm	31600										
		in.lb	279685										
Efficiency at full load	η	%	95										
Service life	L_h	h	> 20000										
Weight (incl. standard adapter plate)	<i>m</i>	kg	190			185							
		lb _m	420			409							
Operating noise (at reference ratio and reference speed – ratio-specific values available in cymex [®])	L_{PA}	dB(A)	≤ 68			≤ 66							
		°C	+90										
Max. permitted housing temperature		F	194										
		°C	0 to +40										
Ambient temperature		F	32 to 104										
			Lubricated for life										
Lubrication			Lubricated for life										
Direction of rotation			In- and output same direction										
Protection class			IP 65										
Metal bellows coupling (recommended product type – validate sizing with cymex [®])			-										
Bore diameter of coupling on the application side		mm	-										
Mass moment of inertia (relates to the drive) Clamping hub diameter [mm] Optimized mass inertia version available on request	M	48	J_1	kgcm ²	-	-	52	37	35	35	28	26	25
				10 ⁻³ in.lb.s ²	-	-	46	33	31	31	25	23	22
	N	55	J_1	kgcm ²	101	74	-	-	-	-	-	-	-
				10 ⁻³ in.lb.s ²	89	65	-	-	-	-	-	-	-

Please use our sizing software cymex[®] for a detailed sizing – www.wittenstein-cymex.com

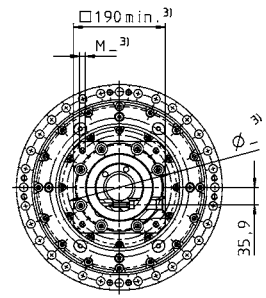
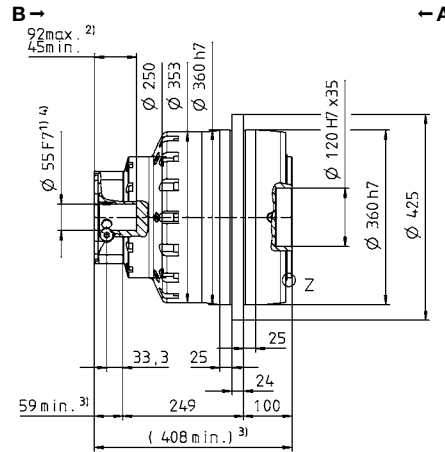
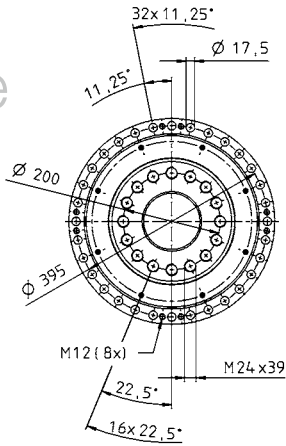
- ^{a)} At max. 10 % M_{2KMax}
- ^{b)} Valid for standard clamping hub diameter
- ^{c)} Refers to center of the output shaft or flange
- ^{d)} Please reduce input speed at higher ambient temperatures

View A

View B

2-stage

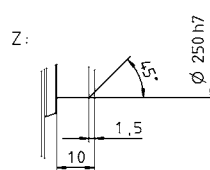
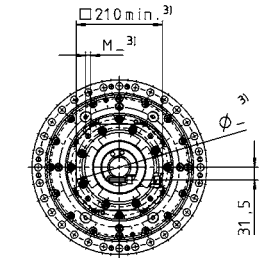
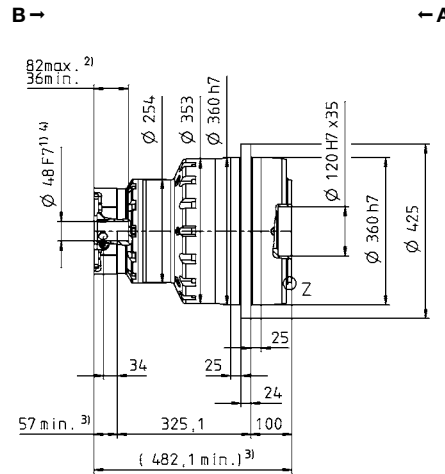
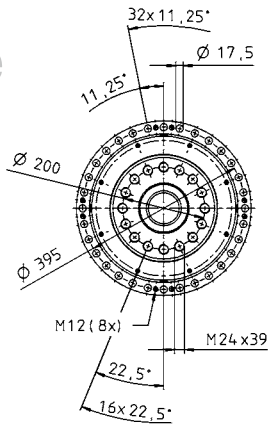
up to 55⁴⁾ (N)⁵⁾
clamping hub diameter



Motor shaft diameter [mm]

3-stage

up to 48⁴⁾ (M)⁵⁾
clamping hub diameter



- Non-tolerated dimensions are nominal dimensions
- ¹⁾ Check motor shaft fit
- ²⁾ Min./Max. permissible motor shaft length. Longer motor shafts are possible, please contact alpha.
- ³⁾ The dimensions depend on the motor
- ⁴⁾ Smaller motor shaft diameter is compensated by a bushing with a minimum thickness of 1 mm
- ⁵⁾ Standard clamping hub diameter

TP+ 4000 MA 2-/3-stage

			2-stage		3-stage							
Ratio	<i>i</i>		22	30.25	66	88	110	121	154	220	302.5	
Max. torque ^{a) b)}	T_{2a}	Nm	40000	40000	40000	40000	40000	40000	40000	32000	40000	
		in.lb	354032	354032	354032	354032	354032	354032	354032	283226	354032	
Max. acceleration torque ^{b)} (max. 1000 cycles per hour)	T_{2B}	Nm	40000	40000	40000	40000	40000	40000	40000	32000	40000	
		in.lb	354032	354032	354032	354032	354032	354032	354032	283226	354032	
Nominal torque (at n_n)	T_{2N}	Nm	18000	18000	18000	18000	18000	18000	18000	16500	18000	
		in.lb	159314	159314	159314	159314	159314	159314	159314	146038	159314	
Emergency stop torque ^{a) b)} (permitted 1000 times during the service life of the gearbox)	T_{2Not}	Nm	70000	70000	70000	70000	70000	70000	70000	61000	70000	
		in.lb	619556	619556	619556	619556	619556	619556	619556	539899	619556	
Permitted average input speed (at T_{2a} and 20 °C ambient temperature) ^{d)}	n_{1N}	rpm	1500	1500	1500	1500	1500	1500	1500	1500	1500	
Max. input speed	n_{1Max}	rpm	3000	3000	3000	3000	3000	3000	3000	3000	3000	
Mean no load running torque ^{b)} (at $n_1 = 2000$ rpm and 20 °C gearbox temperature)	T_{012}	Nm	26	21	15	12	10	10	8.5	7.5	7.5	
		in.lb	230	186	133	106	89	89	75	66	66	
Max. backlash	j_t	arcmin	≤ 4									
Torsional rigidity ^{b)}	C_{t21}	Nm/arcmin	5300	5300	5800	5800	5800	5800	5700	5700	5700	
		in.lb/arcmin	46909	46909	51335	51335	51335	51335	50450	50450	50450	
Tilting rigidity	C_{2K}	Nm/arcmin	65000									
		in.lb/arcmin	575302									
Max. axial force ^{c)}	F_{2AMax}	N	140000									
		lb _f	31500									
Max. tilting moment	M_{2KMax}	Nm	58000			71400						
		in.lb	513346			631947						
Efficiency at full load	η	%	95			93						
Service life	L_h	h	> 20000									
Weight (incl. standard adapter plate)	m	kg	350			380						
		lb _m	774			840						
Operating noise (at reference ratio and reference speed – ratio-specific values available in cymex [®])	L_{PA}	dB(A)	≤ 70			≤ 68						
		°C	+90									
Max. permitted housing temperature		F	194									
		°C	0 to +40									
Ambient temperature		F	32 to 104									
			Lubricated for life									
Lubrication			Lubricated for life									
Direction of rotation			In- and output same direction									
Protection class			IP 65									
Metal bellows coupling (recommended product type – validate sizing with cymex [®])			-									
Bore diameter of coupling on the application side		mm	-									
Mass moment of inertia (relates to the drive) Clamping hub diameter [mm] Optimized mass inertia version available on request	M 48	J_1	kgcm ²	-	-	85	55	43	48	34	29	28
			10 ⁻³ in.lb.s ²	-	-	75	49	38	42	30	26	25
	O 60	J_1	kgcm ²	230	174	-	-	-	-	-	-	-
			10 ⁻³ in.lb.s ²	204	154	-	-	-	-	-	-	-

Please use our sizing software cymex[®] for a detailed sizing – www.wittenstein-cymex.com

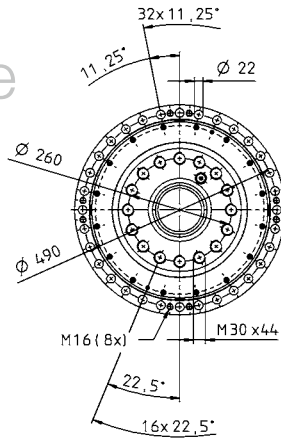
- ^{a)} At max. 10 % M_{2KMax}
- ^{b)} Valid for standard clamping hub diameter
- ^{c)} Refers to center of the output shaft or flange
- ^{d)} Please reduce input speed at higher ambient temperatures

View A

View B

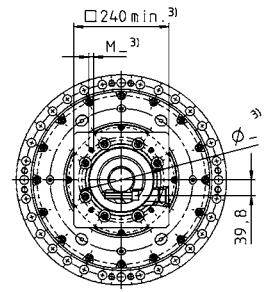
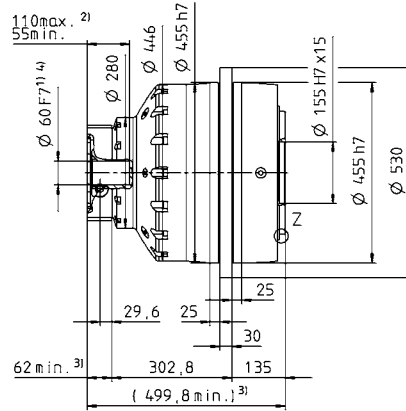
2-stage

up to 60⁴⁾ (O)⁵⁾
clamping hub diameter



B →

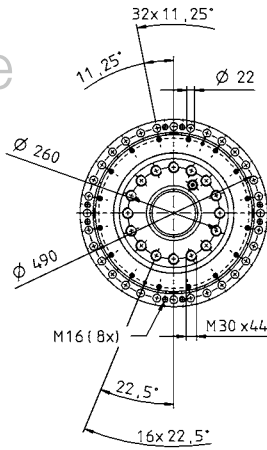
← A



Motor shaft diameter [mm]

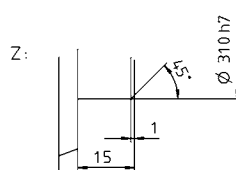
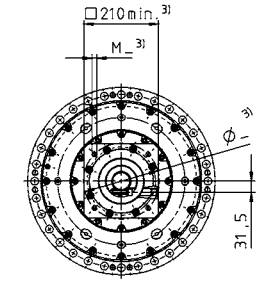
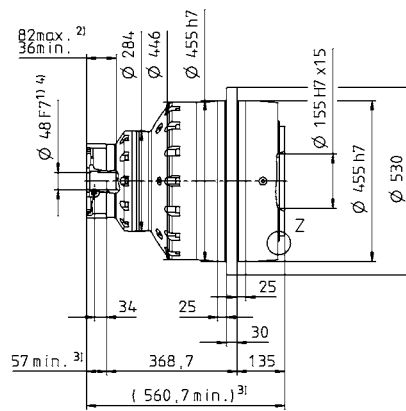
3-stage

up to 48⁴⁾ (M)⁵⁾
clamping hub diameter



B →

← A



Non-tolerated dimensions are nominal dimensions

¹⁾ Check motor shaft fit

²⁾ Min./Max. permissible motor shaft length. Longer motor shafts are possible, please contact alpha.

³⁾ The dimensions depend on the motor

⁴⁾ Smaller motor shaft diameter is compensated by a bushing with a minimum thickness of 1 mm

⁵⁾ Standard clamping hub diameter

Planetary gearboxes

TP+

MA



Hypoid gearboxes

HG⁺/SK⁺/SPK⁺

TK⁺/TPK⁺ /TPK⁺ HIGH TORQUE

Precise and highly dynamic



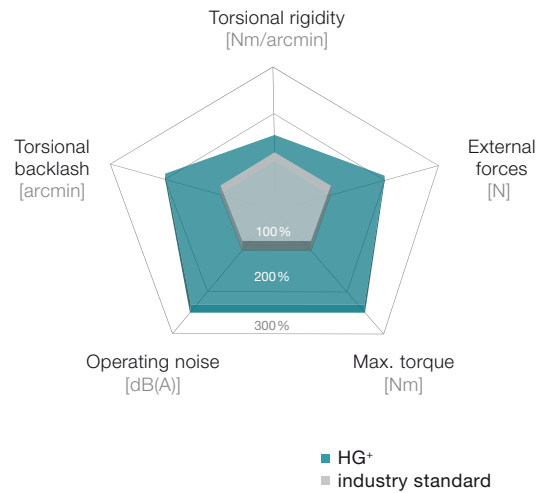
HG+ – Precise hollow shaft solution



HG+

The versatile hypoid gearboxes of the alpha Advanced Line are available with a hollow shaft on one or both sides. With the HG+, the low torsional backlash and high torsional rigidity assure maximum positioning accuracy of the drives and the high precision of machines – even during highly dynamic operation.

The HG+ compared to the industry standard



Product highlights

- Max. torsional backlash [arcmin] ≤ 4
- Hollow shaft version
- Multiple output configurations for greater flexibility
- Extremely smooth-running
- Other gearbox models
- Corrosion resistant design, ATEX



HG+ in corrosion-resistant design



HG+ with hollow shaft on both sides

Hollow shaft for feeding through media or establishing a connection to the application

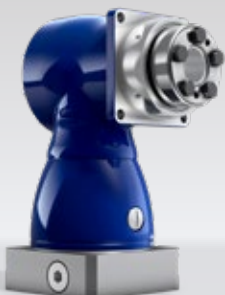
Variable output connection, also rearward

Taper roller bearings for absorbing axial and radial forces



Metal bellows coupling at the input: length compensation to protect the motor bearing

High-quality hypoid gearing for a higher torque and smoother operation



HG+ with shrink disk

HG+ 060 MF 1-/2-stage

			1-stage					2-stage										
Ratio	<i>i</i>		3	4	5	7	10	12	16	20	25	28	35	40	50	70	100	
Max. torque ^{a) b)}	T_{2a}	Nm	36	36	36	25	20	36	36	36	36	36	36	36	36	25	20	
		in.lb	319	319	319	221	177	319	319	319	319	319	319	319	319	319	221	177
Max. acceleration torque ^{b)} (max. 1000 cycles per hour)	T_{2B}	Nm	30	30	30	25	20	30	30	30	30	30	30	30	30	25	20	
		in.lb	266	266	266	221	177	266	266	266	266	266	266	266	266	221	177	
Nominal torque (at n_n)	T_{2N}	Nm	22	22	22	20	15	22	22	22	22	22	22	22	22	20	15	
		in.lb	195	195	195	177	133	195	195	195	195	195	195	195	195	177	133	
Emergency stop torque ^{a) b)} (permitted 1000 times during the service life of the gearbox)	T_{2Not}	Nm	40	50	50	45	40	50	50	50	50	50	50	50	50	45	40	
		in.lb	354	443	443	398	354	443	443	443	443	443	443	443	443	443	398	354
Permitted average input speed (at T_{2a} and 20 °C ambient temperature) ^{d)}	n_{1N}	n_{1T}	2500	2700	3000	3000	3000	4400	4400	4400	4400	4400	4400	4400	4800	5500	5500	
Max. input speed	n_{1Max}	rpm	7500	7500	7500	7500	7500	6000	6000	6000	6000	6000	6000	6000	6000	6000	6000	
Mean no load running torque ^{b)} (at $n_i = 3000$ rpm and 20 °C gearbox temperature)	T_{012}	Nm	1.6	1.5	1.2	1.7	1.5	0.2	0.2	0.2	0.2	0.2	0.2	0.2	0.2	0.2	0.2	
		in.lb	14	13	11	15	13	1.8	1.8	1.8	1.8	1.8	1.8	1.8	1.8	1.8	1.8	
Max. backlash	j_t	arcmin	Standard ≤ 5															
Torsional rigidity ^{b)}	C_{t21}	Nm/arcmin	2.2	2.3	2.4	2.2	1.9	2.3	2.3	2.3	2.3	2.3	2.3	2.3	2.4	2.2	1.9	
		in.lb/arcmin	19	20	21	19	17	20	20	20	20	20	20	20	20	21	19	17
Max. axial force ^{c)}	F_{2AMax}	N	2400															
		lb _f	540															
Max. lateral force ^{c)}	F_{2QMax}	N	2700															
		lb _f	608															
Max. tilting moment	M_{2KMax}	Nm	251															
		in.lb	2222															
Efficiency at full load	η	%	96					94										
Service life	L_h	h	> 20000															
Weight (incl. standard adapter plate)	m	kg	2.9					3.2										
		lb _m	6					7										
Operating noise (at reference ratio and reference speed – ratio-specific values available in cymex [®])	L_{PA}	dB(A)	≤ 64															
		°C	+90															
Max. permitted housing temperature		F	194															
		°C	0 to +40															
Ambient temperature		F	32 to 104															
Lubrication			Lubricated for life															
Direction of rotation			In- and output opposite direction															
Protection class			IP 65															
Shrink disc (Standard version)			SD 018x044 S2															
Max. torque (without axial force)	T_{max}	Nm	100															
Mass moment of inertia (relates to the drive) Clamping hub diameter [mm]	B	11	J_i	kgcm ²	-	-	-	-	-	0.09	0.09	0.07	0.07	0.06	0.06	0.06	0.06	
				10 ⁻³ in.lb.s ²	-	-	-	-	-	0.08	0.08	0.06	0.06	0.05	0.05	0.05	0.05	0.05
	C	14	J_i	kgcm ²	0.52	0.44	0.4	0.36	0.34	0.2	0.2	0.19	0.19	0.18	0.18	0.17	0.17	0.17
				10 ⁻³ in.lb.s ²	0.46	0.39	0.35	0.32	0.3	0.18	0.18	0.17	0.17	0.16	0.16	0.15	0.15	0.15
	E	19	J_i	kgcm ²	0.87	0.79	0.75	0.71	0.7	-	-	-	-	-	-	-	-	-
				10 ⁻³ in.lb.s ²	0.77	0.7	0.66	0.63	0.62	-	-	-	-	-	-	-	-	-

Please use our sizing software cymex[®] for a detailed sizing – www.wittenstein-cymex.com
Please contact us for optimum sizing at S1 conditions (Continuous operation).

^{a)} At max. 10 % F_{2QMax}

^{b)} Valid for standard clamping hub diameter

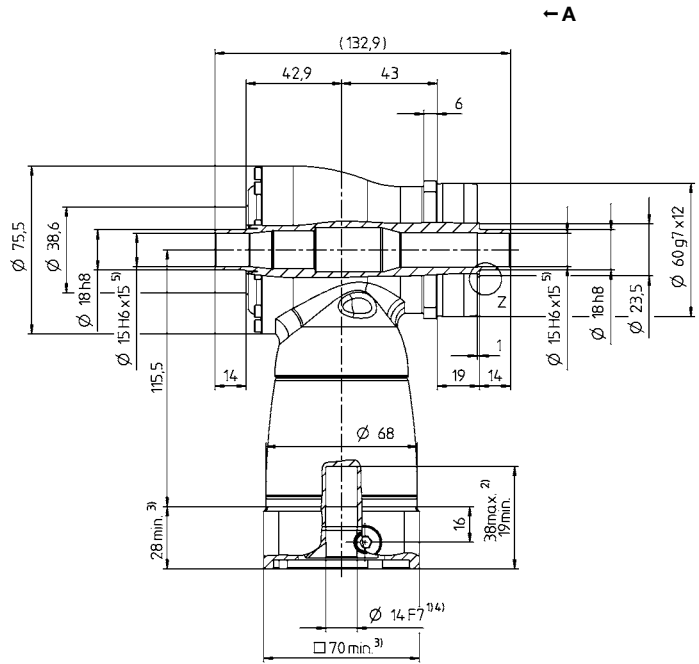
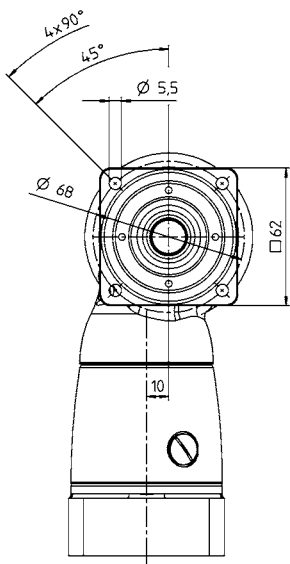
^{c)} Refers to center of the output shaft or flange

^{d)} Please reduce input speed at higher ambient temperatures

View A

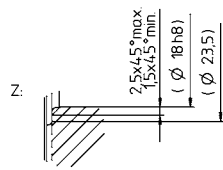
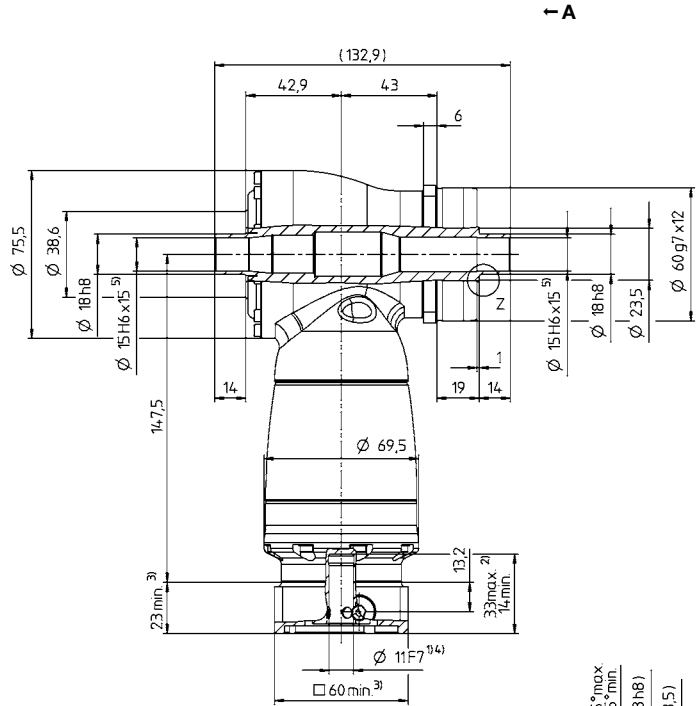
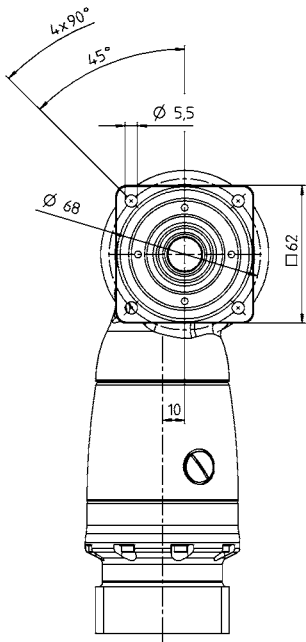
1-stage

up to 14/19⁴⁾
(C⁶⁾/E) clamping
hub diameter



2-stage

up to 11/14⁴⁾
(B⁶⁾/C) clamping
hub diameter



Motor shaft diameter [mm]

Hypoid gearboxes

HG+

See technical data sheet for available clamping hub diameters (mass moment of inertia). Dimensions available on request.

- Non-tolerated dimensions are nominal dimensions
- ¹⁾ Check motor shaft fit
- ²⁾ Min./Max. permissible motor shaft length. Longer motor shafts are possible, please contact alpha.
- ³⁾ The dimensions depend on the motor
- ⁴⁾ Smaller motor shaft diameter is compensated by a bushing with a minimum thickness of 1 mm
- ⁵⁾ Tolerance h6 for mounted shaft.
- ⁶⁾ Standard clamping hub diameter

HG+ 075 MF 1-/2-stage

			1-stage					2-stage											
Ratio	<i>i</i>		3	4	5	7	10	12	16	20	25	28	35	40	50	70	100		
Max. torque ^{a) b)}	T_{2a}	Nm	84	84	84	60	50	84	84	84	84	84	84	84	84	60	50		
		in.lb	743	743	743	531	443	743	743	743	743	743	743	743	743	743	531	443	
Max. acceleration torque ^{b)} (max. 1000 cycles per hour)	T_{2B}	Nm	70	70	70	60	50	70	70	70	70	70	70	70	70	60	50		
		in.lb	620	620	620	531	443	620	620	620	620	620	620	620	620	620	531	443	
Nominal torque (at n_n)	T_{2N}	Nm	50	50	50	45	40	50	50	50	50	50	50	50	50	45	40		
		in.lb	443	443	443	398	354	443	443	443	443	443	443	443	443	443	398	354	
Emergency stop torque ^{a) b)} (permitted 1000 times during the service life of the gearbox)	T_{2Not}	Nm	95	115	115	110	100	115	115	115	115	115	115	115	115	110	100		
		in.lb	841	1018	1018	974	885	1018	1018	1018	1018	1018	1018	1018	1018	1018	974	885	
Permitted average input speed (at T_{2a} and 20 °C ambient temperature) ^{d)}	n_{1N}	n_{1T}	2300	2500	2800	2800	2800	3500	3500	3500	3500	3500	3500	3500	3800	4500	4500		
Max. input speed	n_{1Max}	rpm	7500	7500	7500	7500	7500	6000	6000	6000	6000	6000	6000	6000	6000	6000	6000		
Mean no load running torque ^{b)} (at $n_i = 3000$ rpm and 20 °C gearbox temperature)	T_{012}	Nm	1.6	1.5	1.2	1.7	1.5	0.2	0.2	0.2	0.2	0.2	0.2	0.2	0.2	0.2	0.2		
		in.lb	14	13	11	15	13	1.8	1.8	1.8	1.8	1.8	1.8	1.8	1.8	1.8	1.8		
Max. backlash	j_t	arcmin	Standard ≤ 4																
Torsional rigidity ^{b)}	C_{t21}	Nm/arcmin	5.3	5.9	6.7	6.6	6.5	5.9	5.9	5.9	5.9	5.9	5.9	5.9	6.7	6.6	6.5		
		in.lb/arcmin	47	52	59	58	58	52	52	52	52	52	52	52	59	58	58		
Max. axial force ^{c)}	F_{2AMax}	N	3400																
		lb _f	765																
Max. lateral force ^{c)}	F_{2QMax}	N	4000																
		lb _f	900																
Max. tilting moment	M_{2KMax}	Nm	437																
		in.lb	3868																
Efficiency at full load	η	%	96					94											
Service life	L_h	h	> 20000																
Weight (incl. standard adapter plate)	m	kg	4.8					5.1											
		lb _m	11					11											
Operating noise (at reference ratio and reference speed – ratio-specific values available in cymex [®])	L_{PA}	dB(A)	≤ 66																
		°C	+90																
Max. permitted housing temperature		F	194																
		°C	0 to +40																
Ambient temperature		F	32 to 104																
Lubrication			Lubricated for life																
Direction of rotation			In- and output opposite direction																
Protection class			IP 65																
Shrink disc (Standard version)			SD 024x050 S2																
Max. torque (without axial force)	T_{max}	Nm	250																
Mass moment of inertia (relates to the drive) Clamping hub diameter [mm]	C	14	J_1	kgcm ²	-	-	-	-	-	0.28	0.27	0.23	0.23	0.2	0.2	0.18	0.18	0.18	
				10 ⁻³ in.lb.s ²	-	-	-	-	-	0.25	0.24	0.2	0.2	0.18	0.18	0.16	0.16	0.16	0.16
	E	19	J_1	kgcm ²	1.46	1.19	1.06	0.95	0.9	0.73	0.71	0.68	0.67	0.63	0.62	0.63	0.63	0.63	0.63
				10 ⁻³ in.lb.s ²	1.29	1.05	0.94	0.84	0.8	0.65	0.63	0.6	0.59	0.56	0.55	0.56	0.56	0.56	0.56
	H	28	J_1	kgcm ²	2.88	2.61	2.47	2.37	2.31	-	-	-	-	-	-	-	-	-	-
				10 ⁻³ in.lb.s ²	2.55	2.31	2.19	2.1	2.04	-	-	-	-	-	-	-	-	-	-

Please use our sizing software cymex[®] for a detailed sizing – www.wittenstein-cymex.com
Please contact us for optimum sizing at S1 conditions (Continuous operation).

^{a)} At max. 10 % F_{2QMax}

^{b)} Valid for standard clamping hub diameter

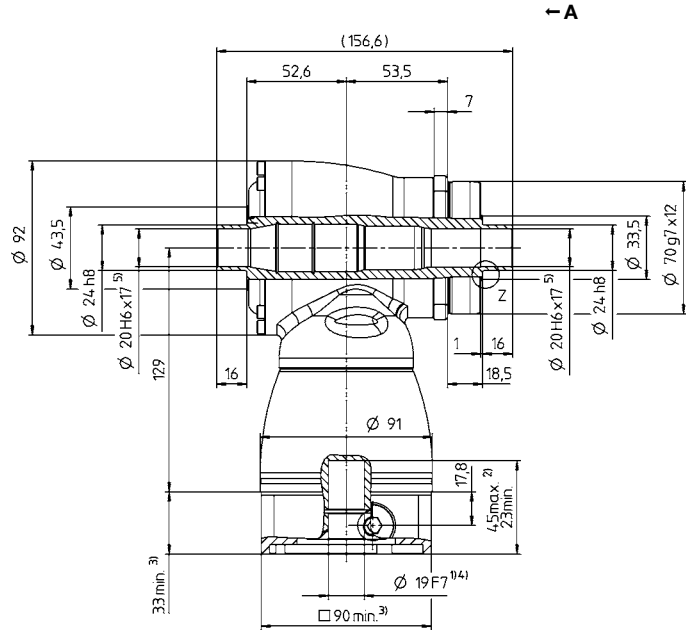
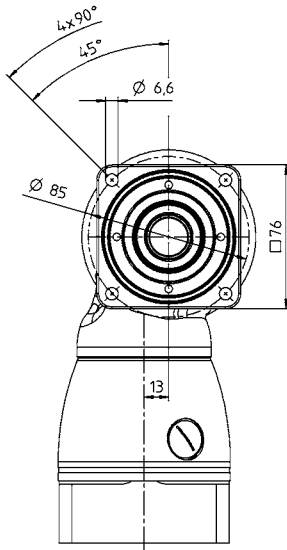
^{c)} Refers to center of the output shaft or flange

^{d)} Please reduce input speed at higher ambient temperatures

View A

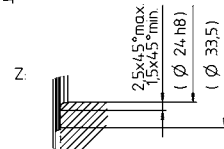
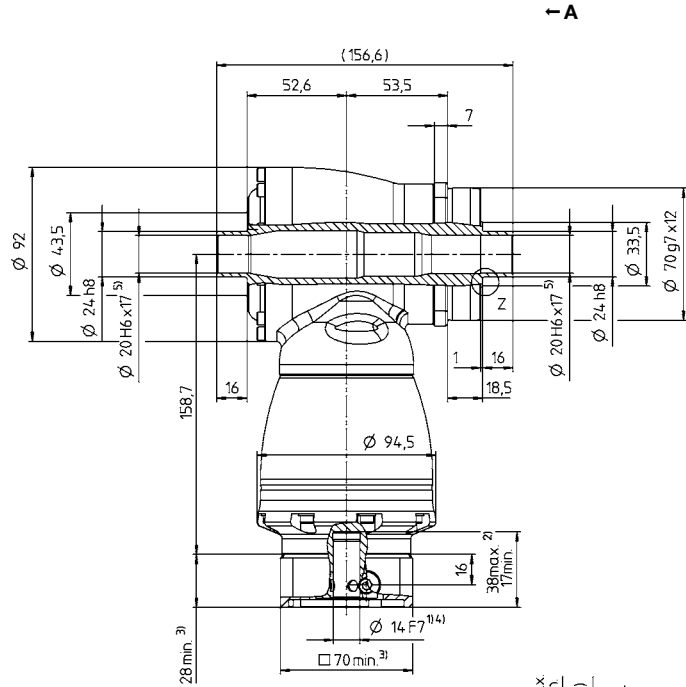
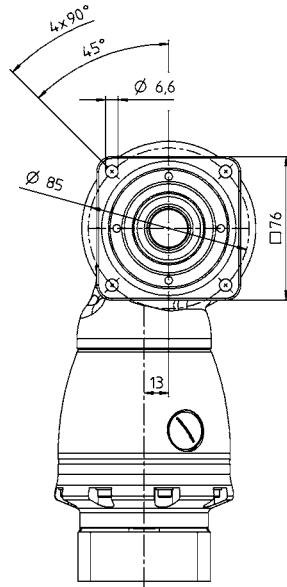
1-stage

up to 19/28⁴⁾
(E⁶⁾/H) clamping
hub diameter



2-stage

up to 14/19⁴⁾
(C⁶⁾/E) clamping
hub diameter



Motor shaft diameter [mm]

Hypoid gearboxes

HG⁺

See technical data sheet for available clamping hub diameters (mass moment of inertia). Dimensions available on request.

Non-tolerated dimensions are nominal dimensions

¹⁾ Check motor shaft fit

²⁾ Min./Max. permissible motor shaft length. Longer motor shafts are possible, please contact alpha.

³⁾ The dimensions depend on the motor

⁴⁾ Smaller motor shaft diameter is compensated by a bushing with a minimum thickness of 1 mm

⁵⁾ Tolerance h6 for mounted shaft.

⁶⁾ Standard clamping hub diameter

HG+ 100 MF 1-/2-stage

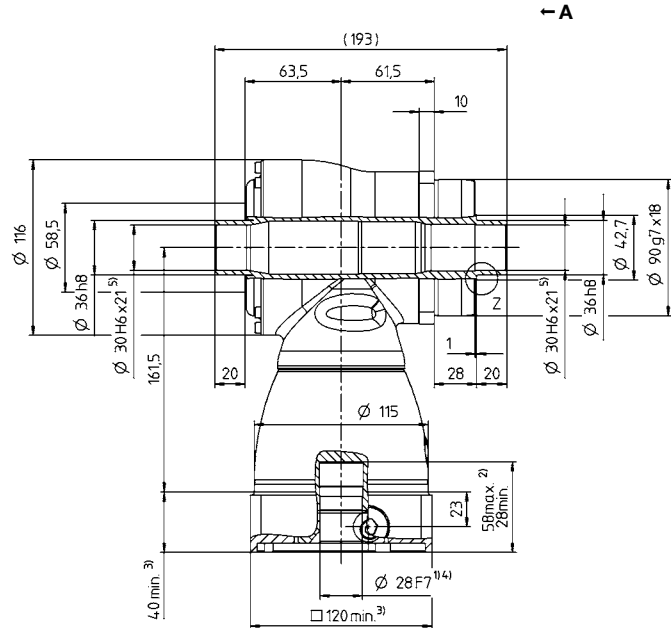
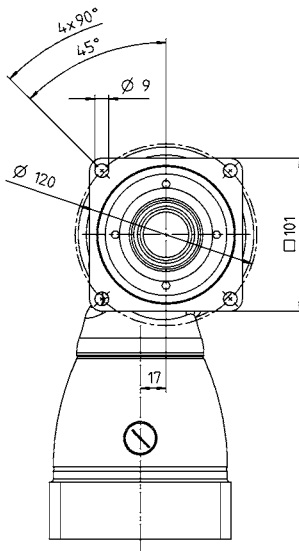
			1-stage					2-stage											
Ratio	<i>i</i>		3	4	5	7	10	12	16	20	25	28	35	40	50	70	100		
Max. torque ^{a) b)}	T_{2a}	Nm	204	204	204	145	125	204	204	204	204	204	204	204	204	145	125		
		in.lb	1806	1806	1806	1283	1106	1806	1806	1806	1806	1806	1806	1806	1806	1806	1283	1106	
Max. acceleration torque ^{b)} (max. 1000 cycles per hour)	T_{2B}	Nm	170	170	170	145	125	170	170	170	170	170	170	170	170	145	125		
		in.lb	1505	1505	1505	1283	1106	1505	1505	1505	1505	1505	1505	1505	1505	1505	1283	1106	
Nominal torque (at n_n)	T_{2N}	Nm	100	100	100	90	80	100	100	100	100	100	100	100	100	90	80		
		in.lb	885	885	885	797	708	885	885	885	885	885	885	885	885	885	797	708	
Emergency stop torque ^{a) b)} (permitted 1000 times during the service life of the gearbox)	T_{2Not}	Nm	220	260	260	255	250	260	260	260	260	260	260	260	260	260	255	250	
		in.lb	1947	2301	2301	2257	2213	2301	2301	2301	2301	2301	2301	2301	2301	2301	2257	2213	
Permitted average input speed (at T_{2a} and 20 °C ambient temperature) ^{d)}	n_{1N}	n_{1T}	2200	2400	2700	2500	2500	3100	3100	3100	3100	3100	3100	3100	3100	3500	4200	4200	
Max. input speed	n_{1Max}	rpm	5500	5500	5500	5500	5500	4500	4500	4500	4500	4500	4500	4500	4500	4500	4500	4500	
Mean no load running torque ^{b)} (at $n_1 = 3000$ rpm and 20 °C gearbox temperature)	T_{012}	Nm	4.3	3.4	3.2	4.6	3.7	0.7	0.7	0.6	0.4	0.4	0.3	0.2	0.2	0.2	0.2	0.2	
		in.lb	38	30	28	41	33	6.2	6.2	5.3	3.5	3.5	2.7	1.8	1.8	1.8	1.8	1.8	
Max. backlash	j_t	arcmin	Standard ≤ 4																
Torsional rigidity ^{b)}	C_{t21}	Nm/arcmin	10.7	12.1	14	14.2	14.4	12.1	12.1	12.1	12.1	12.1	12.1	12.1	14	14.2	14.4		
		in.lb/arcmin	95	107	124	126	127	107	107	107	107	107	107	107	124	126	127		
Max. axial force ^{c)}	F_{2AMax}	N	5700																
		lb _f	1283																
Max. lateral force ^{c)}	F_{2QMax}	N	6300																
		lb _f	1418																
Max. tilting moment	M_{2KMax}	Nm	833																
		in.lb	7373																
Efficiency at full load	η	%	96					94											
Service life	L_h	h	> 20000																
Weight (incl. standard adapter plate)	m	kg	9.3					9.5											
		lb _m	21					21											
Operating noise (at reference ratio and reference speed – ratio-specific values available in cymex [®])	L_{pA}	dB(A)	≤ 66																
Max. permitted housing temperature		°C	+90																
		F	194																
Ambient temperature		°C	0 to +40																
		F	32 to 104																
Lubrication			Lubricated for life																
Direction of rotation			In- and output opposite direction																
Protection class			IP 65																
Shrink disc (Standard version)			SD 036x072 S2																
Max. torque (without axial force)	T_{max}	Nm	650																
Mass moment of inertia (relates to the drive) Clamping hub diameter [mm]	E	19	J_1	kgcm ²	-	-	-	-	-	1.02	0.97	0.86	0.84	0.75	0.74	0.69	0.68	0.68	
				10 ⁻³ in.lb.s ²	-	-	-	-	-	0.9	0.86	0.76	0.74	0.66	0.65	0.61	0.61	0.6	0.6
	G	24	J_1	kgcm ²	-	-	-	-	-	2.59	2.54	2.42	2.4	2.31	2.3	2.26	2.25	2.25	2.25
				10 ⁻³ in.lb.s ²	-	-	-	-	-	2.29	2.25	2.14	2.12	2.04	2.04	2	1.99	1.99	1.99
	H	28	J_1	kgcm ²	4.64	3.8	3.34	2.98	2.79	-	-	-	-	-	-	-	-	-	-
				10 ⁻³ in.lb.s ²	4.11	3.36	2.96	2.64	2.47	-	-	-	-	-	-	-	-	-	-
	K	38	J_1	kgcm ²	11.9	11	10.6	10.2	10	-	-	-	-	-	-	-	-	-	-
				10 ⁻³ in.lb.s ²	10.53	9.74	9.38	9.03	8.85	-	-	-	-	-	-	-	-	-	-

Please use our sizing software cymex[®] for a detailed sizing – www.wittenstein-cymex.com
Please contact us for optimum sizing at S1 conditions (Continuous operation).

^{a)} At max. 10 % F_{2QMax}
^{b)} Valid for standard clamping hub diameter
^{c)} Refers to center of the output shaft or flange
^{d)} Please reduce input speed at higher ambient temperatures

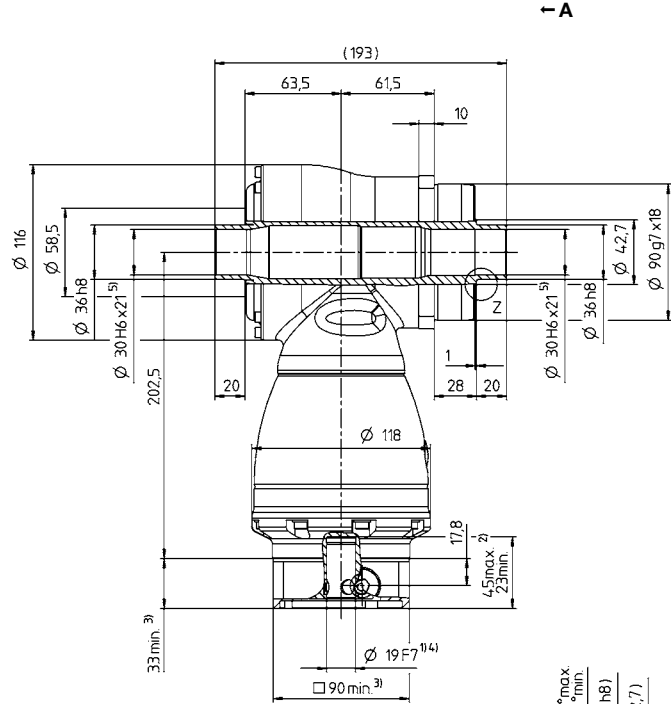
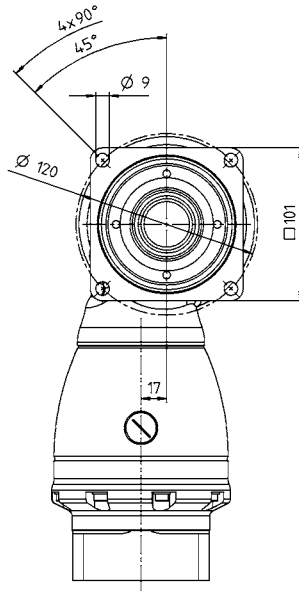
1-stage

up to 28/38⁴⁾
(H⁶⁾/K) clamping
hub diameter



2-stage

up to 19/24⁴⁾
(E⁶⁾/G) clamping
hub diameter



Motor shaft diameter [mm]

Hypoid gearboxes

HG+

See technical data sheet for available clamping hub diameters (mass moment of inertia). Dimensions available on request.

Non-tolerated dimensions are nominal dimensions

- ¹⁾ Check motor shaft fit
- ²⁾ Min./Max. permissible motor shaft length. Longer motor shafts are possible, please contact alpha.
- ³⁾ The dimensions depend on the motor
- ⁴⁾ Smaller motor shaft diameter is compensated by a bushing with a minimum thickness of 1 mm
- ⁵⁾ Tolerance h6 for mounted shaft.
- ⁶⁾ Standard clamping hub diameter

HG+ 140 MF 1-/2-stage

			1-stage					2-stage											
Ratio	<i>i</i>		3	4	5	7	10	12	16	20	25	28	35	40	50	70	100		
Max. torque ^{a) b)}	T_{2a}	Nm	360	360	360	250	210	360	360	360	360	360	360	360	360	250	210		
		in.lb	3186	3186	3186	2213	1859	3186	3186	3186	3186	3186	3186	3186	3186	2213	1859		
Max. acceleration torque ^{b)} (max. 1000 cycles per hour)	T_{2B}	Nm	300	300	300	250	210	300	300	300	300	300	300	300	300	250	210		
		in.lb	2655	2655	2655	2213	1859	2655	2655	2655	2655	2655	2655	2655	2655	2213	1859		
Nominal torque (at n_n)	T_{2N}	Nm	190	190	190	175	160	190	190	190	190	190	190	190	190	175	160		
		in.lb	1682	1682	1682	1549	1416	1682	1682	1682	1682	1682	1682	1682	1682	1549	1416		
Emergency stop torque ^{a) b)} (permitted 1000 times during the service life of the gearbox)	T_{2Not}	Nm	400	500	500	450	400	500	500	500	500	500	500	500	500	450	400		
		in.lb	3540	4425	4425	3983	3540	4425	4425	4425	4425	4425	4425	4425	4425	3983	3540		
Permitted average input speed (at T_{2a} and 20 °C ambient temperature) ^{d)}	n_{1N}	n_{1T}	1900	2000	2200	2000	2000	2900	2900	2900	2900	2900	2900	2900	3200	3200	3900		
Max. input speed	n_{1Max}	rpm	5000	5000	5000	5000	5000	4500	4500	4500	4500	4500	4500	4500	4500	4500	4500		
Mean no load running torque ^{b)} (at $n_i = 3000$ rpm and 20 °C gearbox temperature)	T_{012}	Nm	10	7.6	7.9	11	7.9	1.5	1	0.8	0.6	0.6	0.4	0.4	0.3	0.3	0.3		
		in.lb	89	67	70	97	70	13	8.9	7.1	5.3	5.3	3.5	3.5	2.7	2.7	2.7		
Max. backlash	j_t	arcmin	Standard ≤ 4																
Torsional rigidity ^{b)}	C_{t21}	Nm/arcmin	32	36	41	39	38	36	36	36	36	36	36	36	41	39	38		
		in.lb/arcmin	283	319	363	345	336	319	319	319	319	319	319	319	363	345	336		
Max. axial force ^{c)}	F_{2AMax}	N	9900																
		lb _f	2228																
Max. lateral force ^{c)}	F_{2QMax}	N	9500																
		lb _f	2138																
Max. tilting moment	M_{2KMax}	Nm	1692																
		in.lb	14976																
Efficiency at full load	η	%	96					94											
Service life	L_h	h	> 20000																
Weight (incl. standard adapter plate)	m	kg	22.6					24											
		lb _m	50					53											
Operating noise (at reference ratio and reference speed – ratio-specific values available in cymex [®])	L_{PA}	dB(A)	≤ 68																
		°C	+90																
Max. permitted housing temperature	F	°C	194																
		°C	0 to +40																
Ambient temperature	F	°C	32 to 104																
		°C	32 to 104																
Lubrication			Lubricated for life																
Direction of rotation			In- and output opposite direction																
Protection class			IP 65																
Shrink disc (Standard version)			SD 050x090 S2																
Max. torque (without axial force)	T_{max}	Nm	1320																
Mass moment of inertia (relates to the drive)	G	24	J_1	kgcm ²	-	-	-	-	-	4.2	3.84	3.27	3.16	2.78	2.73	2.48	2.46	2.43	2.42
				10 ⁻³ in.lb.s ²	-	-	-	-	-	3.72	3.4	2.89	2.8	2.46	2.42	2.19	2.18	2.15	2.14
Clamping hub diameter [mm]	K	38	J_1	kgcm ²	25	19.1	16.3	14.1	12.8	11.1	10.7	10.2	10.1	9.69	9.64	9.39	9.37	9.34	9.33
				10 ⁻³ in.lb.s ²	22.13	16.9	14.43	12.48	11.33	9.82	9.47	9.03	8.94	8.58	8.53	8.31	8.29	8.27	8.26

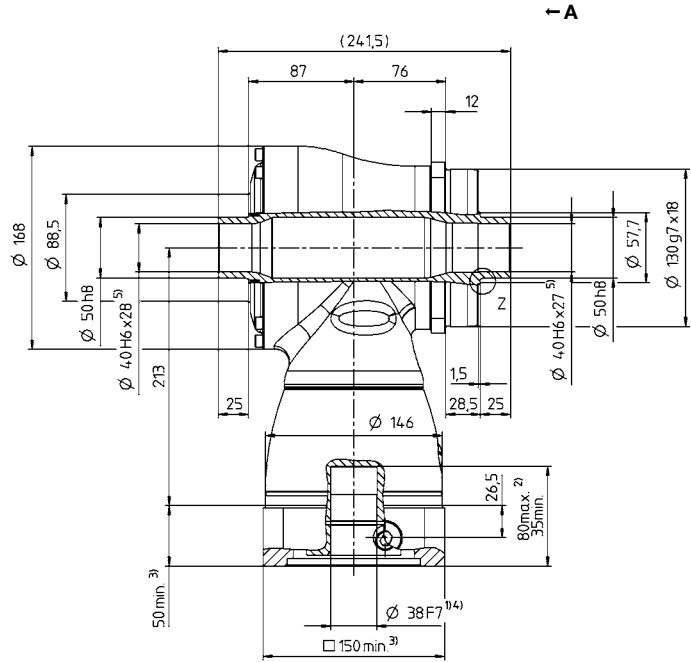
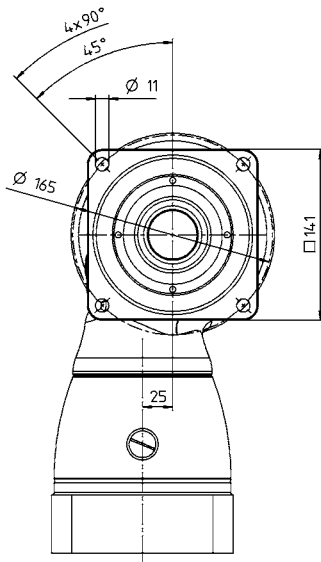
Please use our sizing software cymex[®] for a detailed sizing – www.wittenstein-cymex.com
Please contact us for optimum sizing at S1 conditions (Continuous operation).

- ^{a)} At max. 10 % F_{2QMax}
- ^{b)} Valid for standard clamping hub diameter
- ^{c)} Refers to center of the output shaft or flange
- ^{d)} Please reduce input speed at higher ambient temperatures

View A

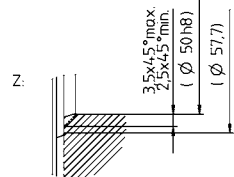
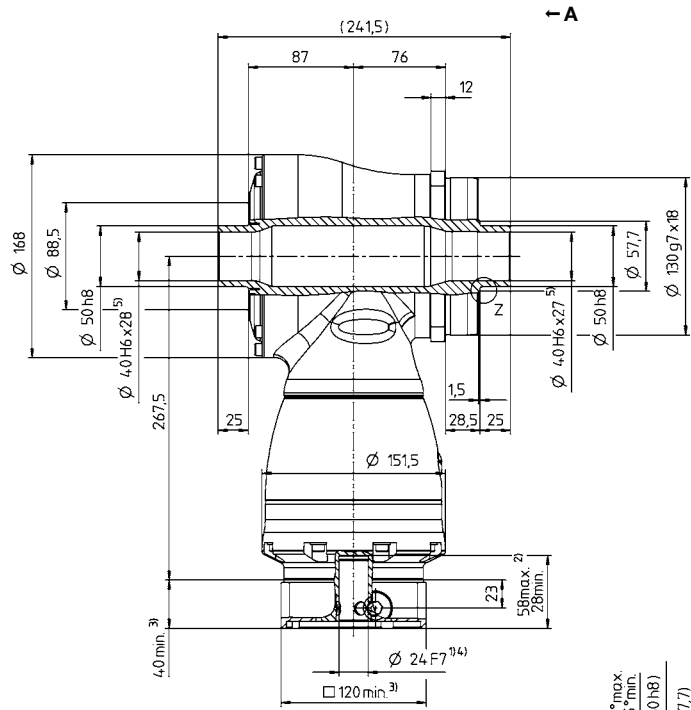
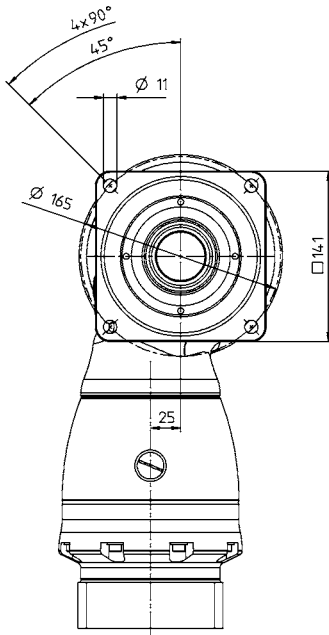
1-stage

up to 38⁴⁾ (K)⁶⁾
clamping hub diameter



2-stage

up to 24/38⁴⁾
(G/K)⁶⁾ clamping hub diameter



Motor shaft diameter [mm]

Hypoid gearboxes

HG+

See technical data sheet for available clamping hub diameters (mass moment of inertia). Dimensions available on request.

Non-tolerated dimensions are nominal dimensions

¹⁾ Check motor shaft fit

²⁾ Min./Max. permissible motor shaft length. Longer motor shafts are possible, please contact alpha.

³⁾ The dimensions depend on the motor

⁴⁾ Smaller motor shaft diameter is compensated by a bushing with a minimum thickness of 1 mm

⁵⁾ Tolerance h6 for mounted shaft.

⁶⁾ Standard clamping hub diameter

HG+ 180 MF 1-/2-stage

			1-stage					2-stage											
Ratio	<i>i</i>		3	4	5	7	10	12	16	20	25	28	35	40	50	70	100		
Max. torque ^{a) b)}	T_{2a}	Nm	768	768	768	550	470	768	768	768	768	768	768	768	768	550	470		
		in.lb	6797	6797	6797	4868	4160	6797	6797	6797	6797	6797	6797	6797	6797	6797	4868	4160	
Max. acceleration torque ^{b)} (max. 1000 cycles per hour)	T_{2B}	Nm	640	640	640	550	470	640	640	640	640	640	640	640	640	550	470		
		in.lb	5665	5665	5665	4868	4160	5665	5665	5665	5665	5665	5665	5665	5665	5665	4868	4160	
Nominal torque (at n_n)	T_{2N}	Nm	400	400	400	380	360	400	400	400	400	400	400	400	400	380	360		
		in.lb	3540	3540	3540	3363	3186	3540	3540	3540	3540	3540	3540	3540	3540	3540	3363	3186	
Emergency stop torque ^{a) b)} (permitted 1000 times during the service life of the gearbox)	T_{2Not}	Nm	900	1050	1050	970	900	1050	1050	1050	1050	1050	1050	1050	1050	970	900		
		in.lb	7966	9293	9293	8585	7966	9293	9293	9293	9293	9293	9293	9293	9293	9293	8585	7966	
Permitted average input speed (at T_{2a} and 20 °C ambient temperature) ^{d)}	n_{1N}	n_{1T}	1600	1800	2000	1800	1800	2700	2700	2700	2700	2700	2700	2700	2900	3200	3400		
Max. input speed	n_{1Max}	rpm	4500	4500	4500	4500	4500	4000	4000	4000	4000	4000	4000	4000	4000	4000	4000		
Mean no load running torque ^{b)} (at $n_1 = 3000$ rpm and 20 °C gearbox temperature)	T_{012}	Nm	21	17	16	19	16	3.3	2.5	2	1.8	1.4	1.3	1	1	1	1		
		in.lb	186	150	142	168	142	29	22	18	16	12	12	8.9	8.9	8.9	8.9		
Max. backlash	j_t	arcmin	Standard ≤ 4																
Torsional rigidity ^{b)}	C_{t21}	Nm/arcmin	71	80	91	89	88	80	80	80	80	80	80	80	80	91	89	88	
		in.lb/arcmin	628	708	805	788	779	708	708	708	708	708	708	708	708	805	788	779	
Max. axial force ^{c)}	F_{2AMax}	N	14200																
		lb _f	3195																
Max. lateral force ^{c)}	F_{2QMax}	N	14700																
		lb _f	3308																
Max. tilting moment	M_{2KMax}	Nm	3213																
		in.lb	28438																
Efficiency at full load	η	%	96					94											
Service life	L_h	h	> 20000																
Weight (incl. standard adapter plate)	m	kg	45.4					47											
		lb _m	100					104											
Operating noise (at reference ratio and reference speed – ratio-specific values available in cymex [®])	L_{PA}	dB(A)	≤ 68																
Max. permitted housing temperature		°C	+90																
		F	194																
Ambient temperature		°C	0 to +40																
		F	32 to 104																
Lubrication			Lubricated for life																
Direction of rotation			In- and output opposite direction																
Protection class			IP 65																
Shrink disc (Standard version)			SD 068x115 S2																
Max. torque (without axial force)	T_{max}	Nm	2450																
Mass moment of inertia (relates to the drive)	K	38	J_1	kgcm ²	-	-	-	-	-	15.3	14	12.3	12	10.9	10.7	10.1	10	9.95	9.91
				10 ⁻³ in.lb.s ²	-	-	-	-	-	13.54	12.39	10.89	10.62	9.65	9.47	8.94	8.85	8.81	8.77
Clamping hub diameter [mm]	M	48	J_1	kgcm ²	73.3	51.6	42.1	34	29.7	30	28.7	27.1	26.7	25.6	25.4	24.8	24.7	24.7	24.6
				10 ⁻³ in.lb.s ²	64.87	45.67	37.26	30.09	26.28	26.55	25.4	23.98	23.63	22.66	22.48	21.95	21.86	21.86	21.77

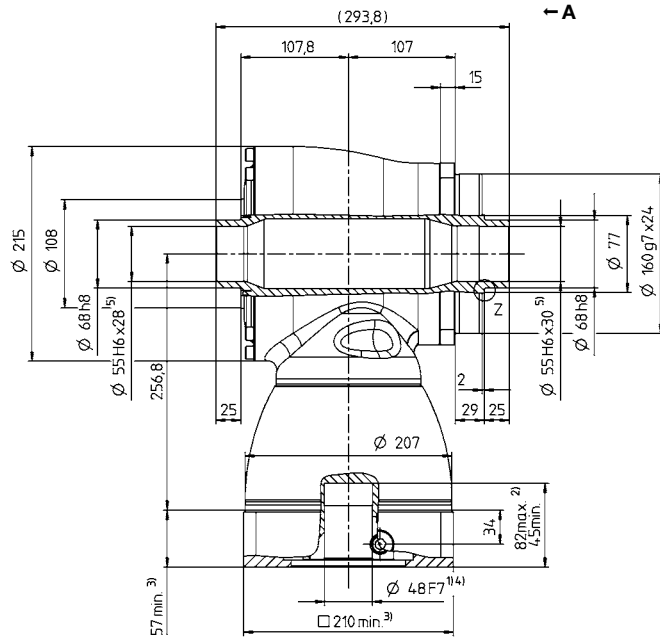
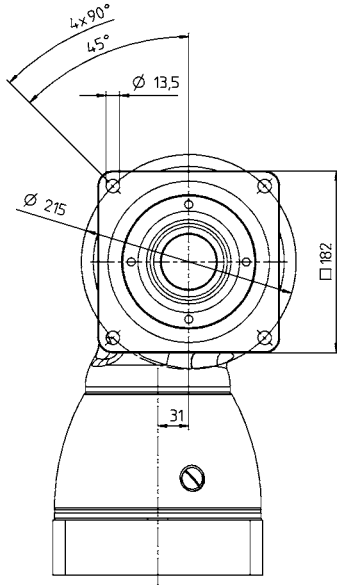
Please use our sizing software cymex[®] for a detailed sizing – www.wittenstein-cymex.com
Please contact us for optimum sizing at S1 conditions (Continuous operation).

- ^{a)} At max. 10 % F_{2QMax}
- ^{b)} Valid for standard clamping hub diameter
- ^{c)} Refers to center of the output shaft or flange
- ^{d)} Please reduce input speed at higher ambient temperatures

View A

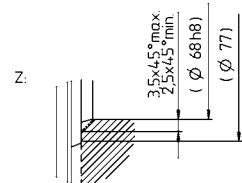
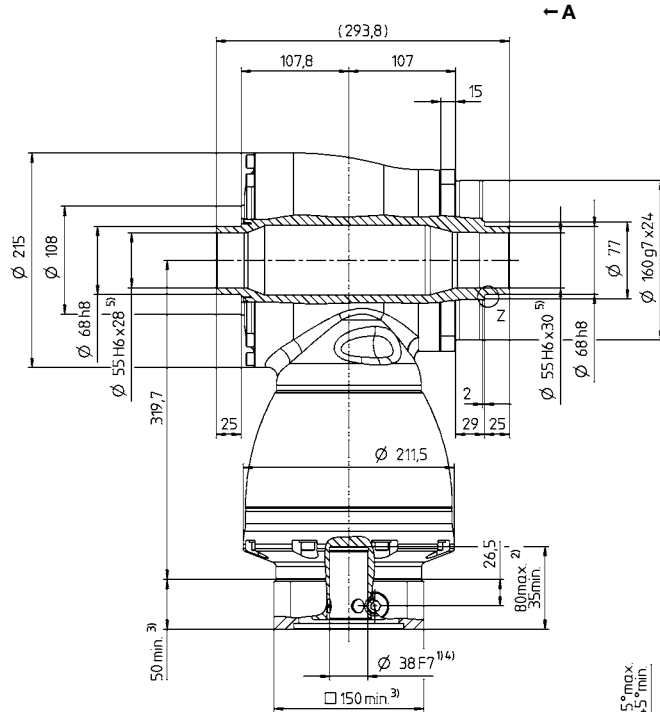
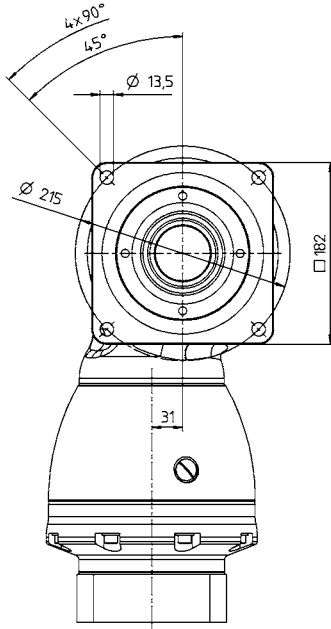
1-stage

up to 48⁴⁾ (M⁶⁾
clamping hub diameter



2-stage

up to 38/48⁴⁾
(K⁶⁾/M) clamping
hub diameter



See technical data sheet for available clamping hub diameters (mass moment of inertia). Dimensions available on request.

Non-tolerated dimensions are nominal dimensions

¹⁾ Check motor shaft fit

²⁾ Min./Max. permissible motor shaft length. Longer motor shafts are possible, please contact alpha.

³⁾ The dimensions depend on the motor

⁴⁾ Smaller motor shaft diameter is compensated by a bushing with a minimum thickness of 1 mm

⁵⁾ Tolerance h6 for mounted shaft.

⁶⁾ Standard clamping hub diameter

Motor shaft diameter [mm]

Hypoid gearboxes

HG+

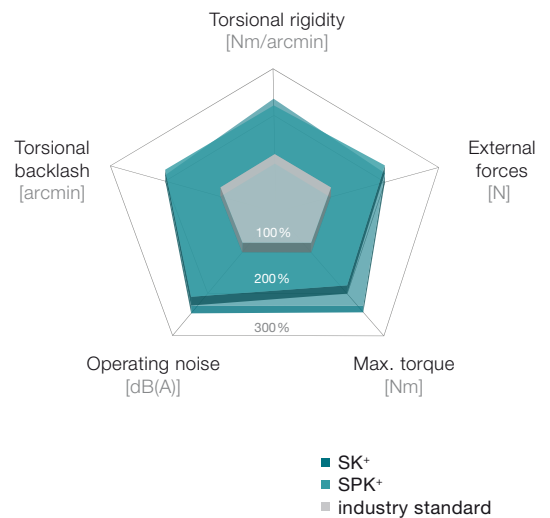
SK⁺ / SPK⁺ – Space-saving right-angle precision with output shaft



SK⁺

The versatile hypoid gearbox with SP⁺ compatible output shaft. SPK⁺ gearboxes with planetary stage are especially suitable for high-precision applications requiring higher power and outstanding torsional rigidity.

The SK⁺ / SPK⁺ compared to the industry standard



Product highlights

Max. torsional backlash
 SK⁺ ≤ 4 arcmin (Standard)
 SPK⁺ ≤ 4 arcmin (Standard)
 ≤ 2 arcmin (Reduced)

Diverse range of ratios $i = 3 - 10,000$

Flexibility thanks to various output types

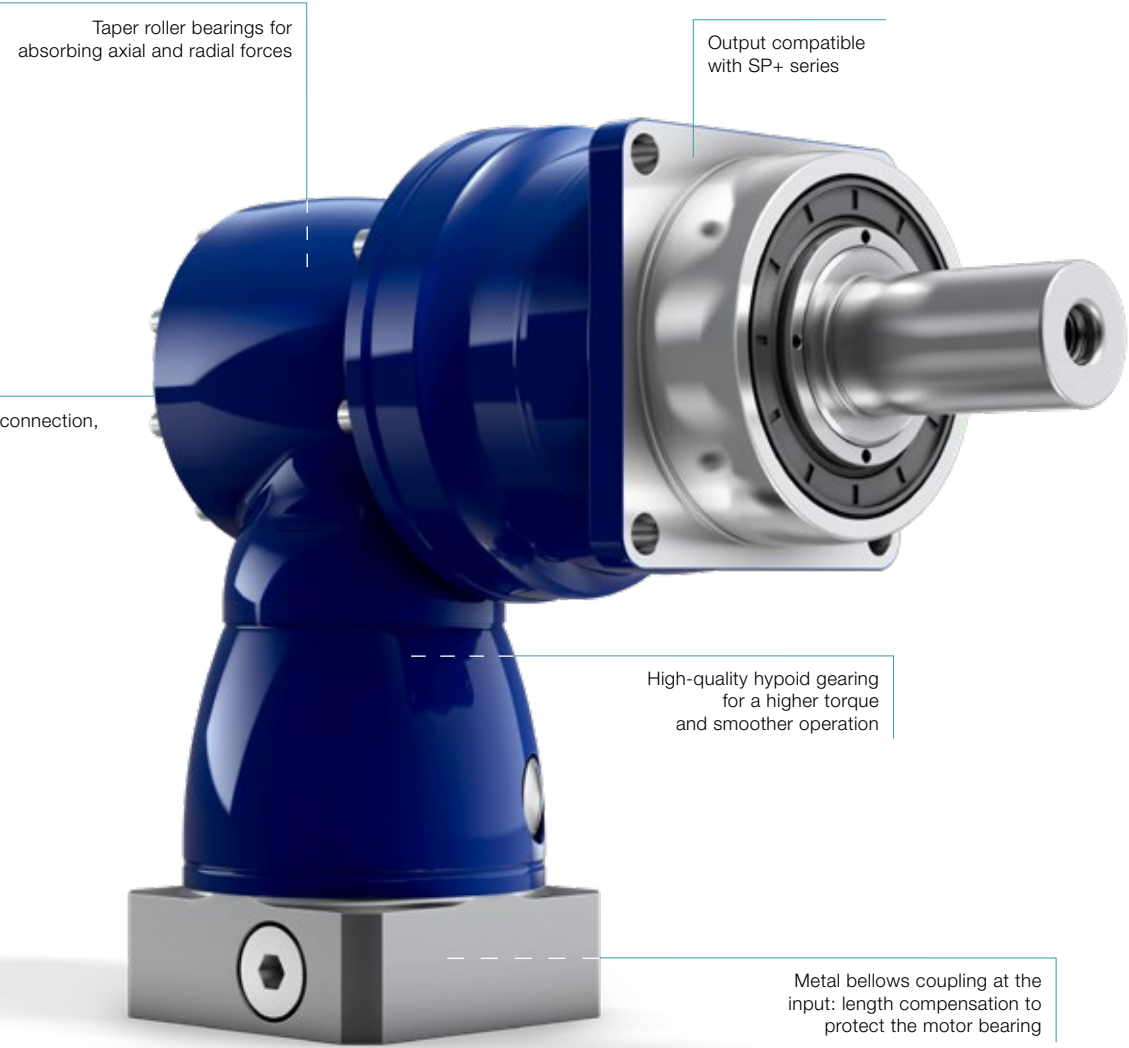
Other gearbox models
 Corrosional resistant design, ATEX (SK⁺)



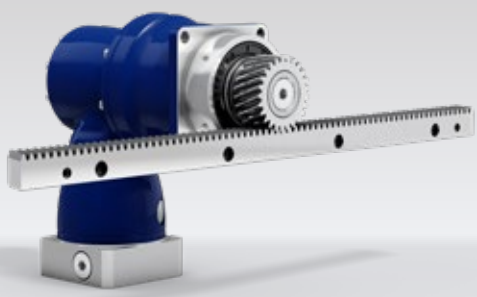
SPK⁺ in corrosion-resistant design



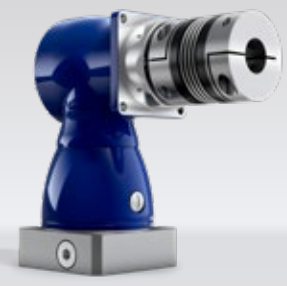
SK⁺ with rearward shaft



SPK+



SPK+ with rack and pinion



SK+ with metal bellows coupling

SK+ 060 MF 1-/2-stage

			1-stage					2-stage										
Ratio	<i>i</i>		3	4	5	7	10	12	16	20	25	28	35	40	50	70	100	
Max. torque ^{a) b) e)}	T_{2a}	Nm	36	36	36	25	20	36	36	36	36	36	36	36	36	25	20	
		in.lb	319	319	319	221	177	319	319	319	319	319	319	319	319	319	221	177
Max. acceleration torque ^{b) e)} (max. 1000 cycles per hour)	T_{2B}	Nm	30	30	30	25	20	30	30	30	30	30	30	30	30	25	20	
		in.lb	266	266	266	221	177	266	266	266	266	266	266	266	266	266	221	177
Nominal torque (at n_n)	T_{2N}	Nm	22	22	22	20	15	22	22	22	22	22	22	22	22	20	15	
		in.lb	195	195	195	177	133	195	195	195	195	195	195	195	195	195	177	133
Emergency stop torque ^{a) b) e)} (permitted 1000 times during the service life of the gearbox)	T_{2Not}	Nm	40	50	50	45	40	50	50	50	50	50	50	50	50	45	40	
		in.lb	354	443	443	398	354	443	443	443	443	443	443	443	443	443	398	354
Permitted average input speed (at T_{2a} and 20 °C ambient temperature) ^{d)}	n_{1N}	n_{1T}	2500	2700	3000	3000	3000	4400	4400	4400	4400	4400	4400	4400	4800	5500	5500	
Max. input speed	n_{1Max}	rpm	7500	7500	7500	7500	7500	6000	6000	6000	6000	6000	6000	6000	6000	6000	6000	
Mean no load running torque ^{b)} (at $n_1 = 3000$ rpm and 20 °C gearbox temperature)	T_{012}	Nm	1.5	1.4	1.1	1.5	1.4	0.2	0.2	0.2	0.2	0.2	0.2	0.2	0.2	0.2	0.2	
		in.lb	13	12	9.7	13	12	1.8	1.8	1.8	1.8	1.8	1.8	1.8	1.8	1.8	1.8	1.8
Max. backlash	j_t	arcmin	Standard ≤ 5															
Torsional rigidity ^{b)}	C_{t21}	Nm/arcmin	2	2.1	2.2	2	1.8	2.1	2.1	2.1	2.1	2.1	2.1	2.1	2.2	2	1.8	
		in.lb/arcmin	18	19	19	18	16	19	19	19	19	19	19	19	19	18	16	
Max. axial force ^{c)}	F_{2AMax}	N	2400															
		lb _f	540															
Max. lateral force ^{c)}	F_{2QMax}	N	2700															
		lb _f	608															
Max. tilting moment	M_{2KMax}	Nm	251															
		in.lb	2222															
Efficiency at full load	η	%	96					94										
Service life	L_h	h	> 20000															
Weight (incl. standard adapter plate)	m	kg	2.9					3.2										
		lb _m	6					7										
Operating noise (at reference ratio and reference speed – ratio-specific values available in cymex [®])	L_{PA}	dB(A)	≤ 64															
Max. permitted housing temperature		°C	+90															
		F	194															
Ambient temperature		°C	0 to +40															
		F	32 to 104															
Lubrication			Lubricated for life															
Direction of rotation			In- and output opposite direction															
Protection class			IP 65															
Metal bellows coupling (recommended product type – validate sizing with cymex [®])			BC2 - 00030AA - 016.000 - X															
Bore diameter of coupling on the application side		mm	X = 010.000 - 030.000															
Mass moment of inertia (relates to the drive) Clamping hub diameter [mm]	B	11	J_1	kgcm ²	-	-	-	-	-	0.09	0.09	0.07	0.07	0.06	0.06	0.06	0.06	
				10 ⁻³ in.lb.s ²	-	-	-	-	-	0.08	0.08	0.06	0.06	0.05	0.05	0.05	0.05	0.05
	C	14	J_1	kgcm ²	0.52	0.44	0.4	0.36	0.34	0.2	0.2	0.19	0.19	0.18	0.18	0.17	0.17	0.17
				10 ⁻³ in.lb.s ²	0.46	0.39	0.35	0.32	0.3	0.18	0.18	0.17	0.17	0.16	0.16	0.15	0.15	0.15
E	19	J_1	kgcm ²	0.87	0.79	0.75	0.71	0.7	-	-	-	-	-	-	-	-	-	
			10 ⁻³ in.lb.s ²	0.77	0.7	0.66	0.63	0.62	-	-	-	-	-	-	-	-	-	-

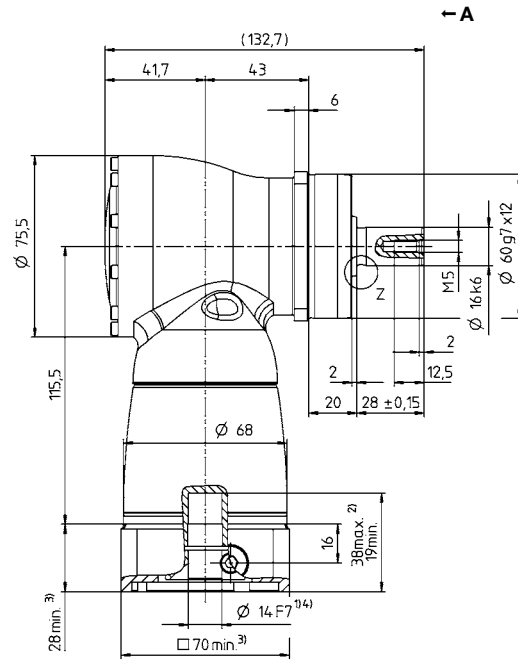
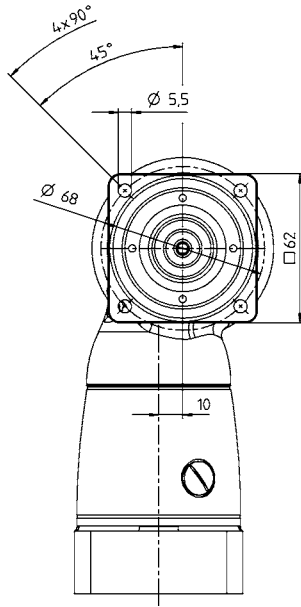
Please use our sizing software cymex[®] for a detailed sizing – www.wittenstein-cymex.com
Please contact us for optimum sizing at S1 conditions (Continuous operation).

- ^{a)} At max. 10 % F_{2QMax}
- ^{b)} Valid for standard clamping hub diameter
- ^{c)} Refers to center of the output shaft or flange
- ^{d)} Please reduce input speed at higher ambient temperatures
- ^{e)} Smooth shaft

View A

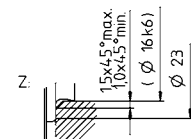
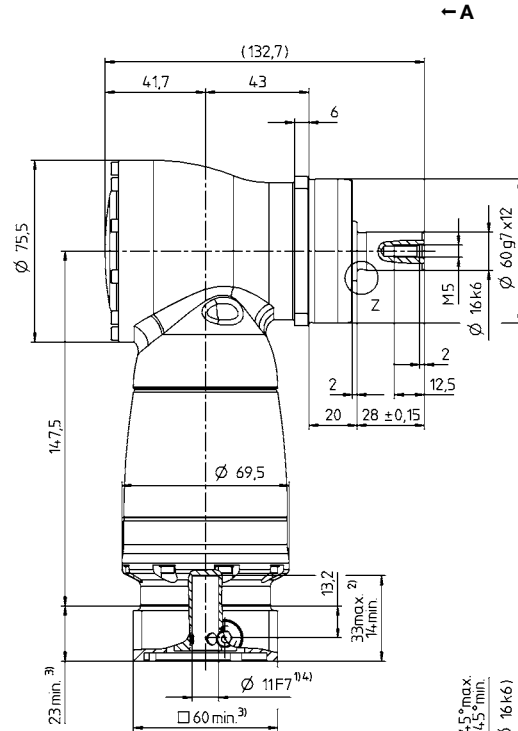
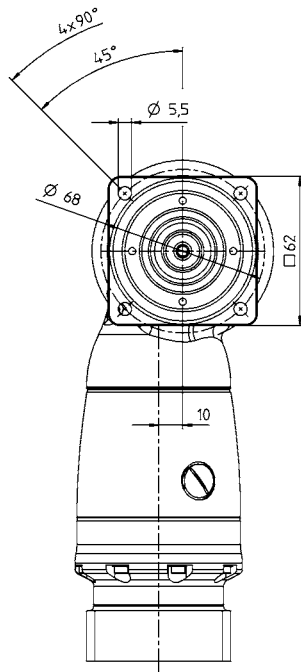
1-stage

up to 14/19⁴⁾
(C⁵⁾/E) clamping
hub diameter



2-stage

up to 11/14⁴⁾
(B⁵⁾/C) clamping
hub diameter



Motor shaft diameter [mm]

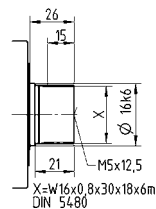
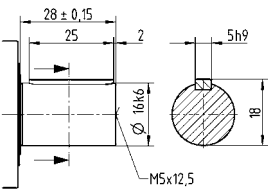
Hypoid gearboxes

SK*

Other output variants

Shaft with key

Splined shaft (DIN 5480)



See technical data sheet for available clamping hub diameters (mass moment of inertia). Dimensions available on request.

- Non-tolerated dimensions are nominal dimensions
- ¹⁾ Check motor shaft fit
- ²⁾ Min./Max. permissible motor shaft length. Longer motor shafts are possible, please contact alpha.
- ³⁾ The dimensions depend on the motor
- ⁴⁾ Smaller motor shaft diameter is compensated by a bushing with a minimum thickness of 1 mm
- ⁵⁾ Standard clamping hub diameter

SK+ 075 MF 1-/2-stage

			1-stage					2-stage											
Ratio	<i>i</i>		3	4	5	7	10	12	16	20	25	28	35	40	50	70	100		
Max. torque ^{a) b) e)}	T_{2a}	Nm	84	84	84	60	50	84	84	84	84	84	84	84	84	60	50		
		in.lb	743	743	743	531	443	743	743	743	743	743	743	743	743	743	531	443	
Max. acceleration torque ^{b) e)} (max. 1000 cycles per hour)	T_{2B}	Nm	70	70	70	60	50	70	70	70	70	70	70	70	70	60	50		
		in.lb	620	620	620	531	443	620	620	620	620	620	620	620	620	620	531	443	
Nominal torque (at n_n)	T_{2N}	Nm	50	50	50	45	40	50	50	50	50	50	50	50	50	45	40		
		in.lb	443	443	443	398	354	443	443	443	443	443	443	443	443	443	398	354	
Emergency stop torque ^{a) b) e)} (permitted 1000 times during the service life of the gearbox)	T_{2Not}	Nm	95	115	115	110	100	115	115	115	115	115	115	115	115	110	100		
		in.lb	841	1018	1018	974	885	1018	1018	1018	1018	1018	1018	1018	1018	1018	974	885	
Permitted average input speed (at T_{2a} and 20 °C ambient temperature) ^{d)}	n_{1N}	n_{1T}	2300	2500	2800	2800	2800	3500	3500	3500	3500	3500	3500	3500	3800	4500	4500		
Max. input speed	n_{1Max}	rpm	7500	7500	7500	7500	7500	6000	6000	6000	6000	6000	6000	6000	6000	6000	6000		
Mean no load running torque ^{b)} (at $n_i = 3000$ rpm and 20 °C gearbox temperature)	T_{012}	Nm	2.4	2	1.8	2.2	2	0.3	0.3	0.2	0.2	0.2	0.2	0.2	0.2	0.2	0.2		
		in.lb	21	18	16	19	18	2.7	2.7	1.8	1.8	1.8	1.8	1.8	1.8	1.8	1.8		
Max. backlash	j_t	arcmin	Standard ≤ 4																
Torsional rigidity ^{b)}	C_{t21}	Nm/arcmin	5	5.5	6	6	6	5.5	5.5	5.5	5.5	5.5	5.5	5.5	6	6	6		
		in.lb/arcmin	44	49	53	53	53	49	49	49	49	49	49	49	53	53	53		
Max. axial force ^{c)}	F_{2AMax}	N	3400																
		lb _f	765																
Max. lateral force ^{c)}	F_{2QMax}	N	4000																
		lb _f	900																
Max. tilting moment	M_{2KMax}	Nm	437																
		in.lb	3868																
Efficiency at full load	η	%	96					94											
Service life	L_h	h	> 20000																
Weight (incl. standard adapter plate)	m	kg	4.8					5.4											
		lb _m	11					12											
Operating noise (at reference ratio and reference speed – ratio-specific values available in cymex [®])	L_{PA}	dB(A)	≤ 66																
Max. permitted housing temperature		°C	+90																
		F	194																
Ambient temperature		°C	0 to +40																
		F	32 to 104																
Lubrication			Lubricated for life																
Direction of rotation			In- and output opposite direction																
Protection class			IP 65																
Metal bellows coupling (recommended product type – validate sizing with cymex [®])			BC2 - 00080AA - 022.000 - X																
Bore diameter of coupling on the application side		mm	X = 014.000 - 042.000																
Mass moment of inertia (relates to the drive) Clamping hub diameter [mm]	C	14	J_i	kgcm ²	-	-	-	-	-	0.28	0.27	0.23	0.23	0.2	0.2	0.18	0.18	0.18	
				10 ⁻³ in.lb.s ²	-	-	-	-	-	0.25	0.24	0.2	0.2	0.18	0.18	0.16	0.16	0.16	0.16
	E	19	J_i	kgcm ²	1.46	1.19	1.06	0.95	0.9	0.73	0.71	0.68	0.67	0.63	0.62	0.63	0.63	0.63	0.63
				10 ⁻³ in.lb.s ²	1.29	1.05	0.94	0.84	0.8	0.65	0.63	0.6	0.59	0.56	0.55	0.56	0.56	0.56	0.56
H	28	J_i	kgcm ²	2.88	2.61	2.47	2.37	2.31	-	-	-	-	-	-	-	-	-	-	
			10 ⁻³ in.lb.s ²	2.55	2.31	2.19	2.1	2.04	-	-	-	-	-	-	-	-	-	-	

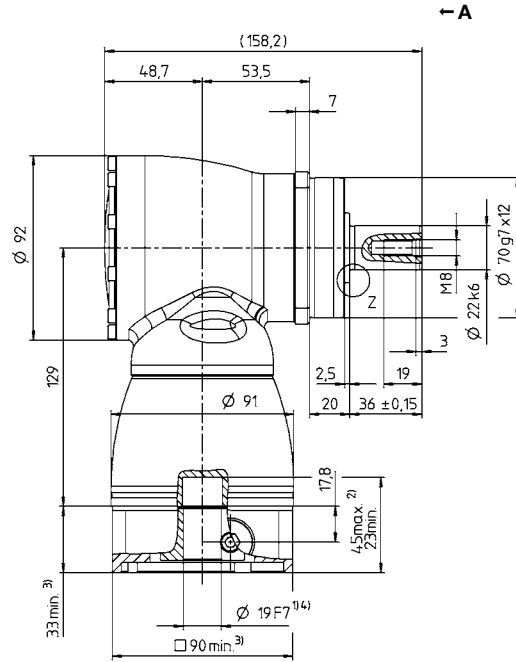
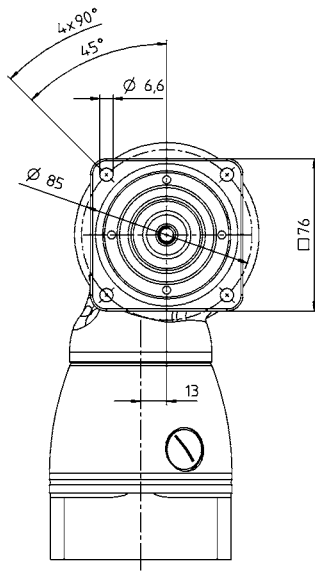
Please use our sizing software cymex[®] for a detailed sizing – www.wittenstein-cymex.com
Please contact us for optimum sizing at S1 conditions (Continuous operation).

- ^{a)} At max. 10 % F_{2QMax}
- ^{b)} Valid for standard clamping hub diameter
- ^{c)} Refers to center of the output shaft or flange
- ^{d)} Please reduce input speed at higher ambient temperatures
- ^{e)} Smooth shaft

View A

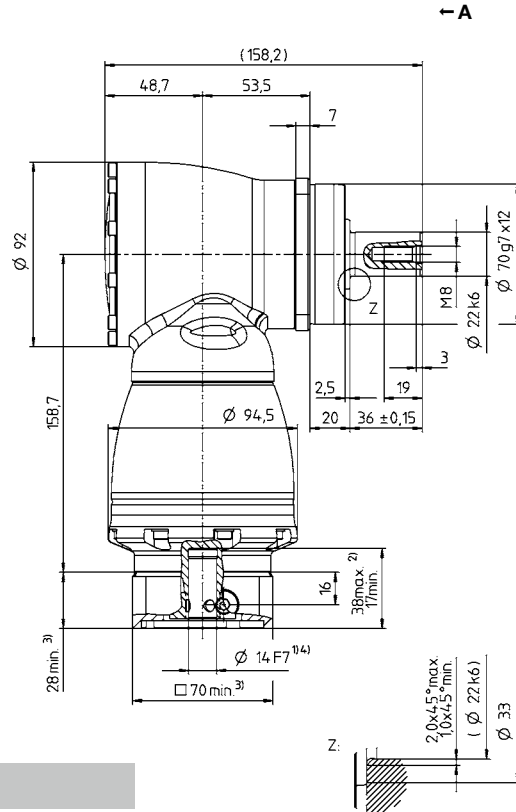
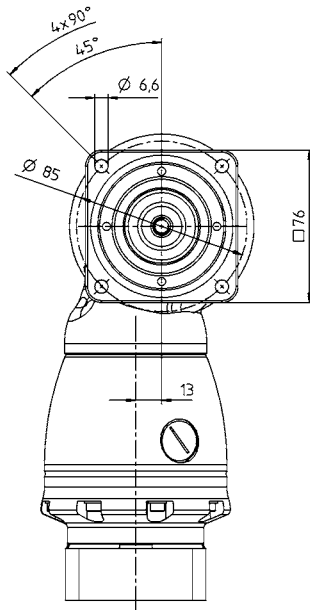
1-stage

up to 19/28⁴⁾
(E⁵⁾/H) clamping
hub diameter



2-stage

up to 14/19⁴⁾
(C⁵⁾/E) clamping
hub diameter



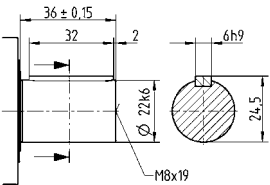
Motor shaft diameter [mm]

Hypoid gearboxes

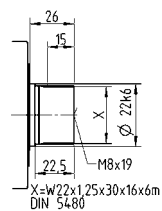
SK*

Other output variants

Shaft with key



Splined shaft (DIN 5480)



See technical data sheet for available clamping hub diameters (mass moment of inertia). Dimensions available on request.

Non-tolerated dimensions are nominal dimensions
1) Check motor shaft fit

2) Min./Max. permissible motor shaft length. Longer motor shafts are possible, please contact alpha.

3) The dimensions depend on the motor

4) Smaller motor shaft diameter is compensated by a bushing with a minimum thickness of 1 mm

5) Standard clamping hub diameter

SK+ 100 MF 1-/2-stage

			1-stage					2-stage											
Ratio	<i>i</i>		3	4	5	7	10	12	16	20	25	28	35	40	50	70	100		
Max. torque ^{a) b) e)}	T_{2a}	Nm	204	204	204	145	125	204	204	204	204	204	204	204	204	145	125		
		in.lb	1806	1806	1806	1283	1106	1806	1806	1806	1806	1806	1806	1806	1806	1806	1283	1106	
Max. acceleration torque ^{b) e)} (max. 1000 cycles per hour)	T_{2B}	Nm	170	170	170	145	125	170	170	170	170	170	170	170	170	145	125		
		in.lb	1505	1505	1505	1283	1106	1505	1505	1505	1505	1505	1505	1505	1505	1505	1283	1106	
Nominal torque (at n_n)	T_{2N}	Nm	100	100	100	90	80	100	100	100	100	100	100	100	100	90	80		
		in.lb	885	885	885	797	708	885	885	885	885	885	885	885	885	885	797	708	
Emergency stop torque ^{a) b) e)} (permitted 1000 times during the service life of the gearbox)	T_{2Not}	Nm	220	260	260	255	250	260	260	260	260	260	260	260	260	260	255	250	
		in.lb	1947	2301	2301	2257	2213	2301	2301	2301	2301	2301	2301	2301	2301	2301	2257	2213	
Permitted average input speed (at T_{2a} and 20 °C ambient temperature) ^{d)}	n_{1N}	n_{1T}	2200	2400	2700	2500	2500	3100	3100	3100	3100	3100	3100	3100	3100	3500	4200	4200	
Max. input speed	n_{1Max}	rpm	5500	5500	5500	5500	5500	4500	4500	4500	4500	4500	4500	4500	4500	4500	4500	4500	
Mean no load running torque ^{b)} (at $n_1 = 3000$ rpm and 20 °C gearbox temperature)	T_{012}	Nm	3.9	3.1	2.9	4.1	3.3	0.6	0.6	0.5	0.4	0.4	0.3	0.2	0.2	0.2	0.2	0.2	
		in.lb	35	27	26	36	29	5.3	5.3	4.4	3.5	3.5	2.7	1.8	1.8	1.8	1.8	1.8	
Max. backlash	j_t	arcmin	Standard ≤ 4																
Torsional rigidity ^{b)}	C_{t21}	Nm/arcmin	10	11	13	13	13	11	11	11	11	11	11	11	13	13	13		
		in.lb/arcmin	89	97	115	115	115	97	97	97	97	97	97	97	97	115	115	115	
Max. axial force ^{c)}	F_{2AMax}	N	5700																
		lb _f	1283																
Max. lateral force ^{c)}	F_{2QMax}	N	6300																
		lb _f	1418																
Max. tilting moment	M_{2KMax}	Nm	833																
		in.lb	7373																
Efficiency at full load	η	%	96					94											
Service life	L_h	h	> 20000																
Weight (incl. standard adapter plate)	m	kg	9.3					10											
		lb _m	21					22											
Operating noise (at reference ratio and reference speed – ratio-specific values available in cymex [®])	L_{PA}	dB(A)	≤ 66																
Max. permitted housing temperature		°C	+90																
		F	194																
Ambient temperature		°C	0 to +40																
		F	32 to 104																
Lubrication			Lubricated for life																
Direction of rotation			In- and output opposite direction																
Protection class			IP 65																
Metal bellows coupling (recommended product type – validate sizing with cymex [®])			BC2 - 00200AA - 032.000 - X																
Bore diameter of coupling on the application side		mm	X = 022.000 - 045.000																
Mass moment of inertia (relates to the drive) Clamping hub diameter [mm]	E	19	J_1	kgcm ²	-	-	-	-	-	1.02	0.97	0.86	0.84	0.75	0.74	0.69	0.68	0.68	
				10 ⁻³ in.lb.s ²	-	-	-	-	-	0.9	0.86	0.76	0.74	0.66	0.65	0.61	0.61	0.6	0.6
	G	24	J_1	kgcm ²	-	-	-	-	-	2.59	2.54	2.42	2.4	2.31	2.3	2.26	2.25	2.25	2.25
				10 ⁻³ in.lb.s ²	-	-	-	-	-	2.29	2.25	2.14	2.12	2.04	2.04	2	1.99	1.99	1.99
	H	28	J_1	kgcm ²	4.64	3.8	3.34	2.98	2.79	-	-	-	-	-	-	-	-	-	-
				10 ⁻³ in.lb.s ²	4.11	3.36	2.96	2.64	2.47	-	-	-	-	-	-	-	-	-	-
	K	38	J_1	kgcm ²	11.9	11	10.6	10.2	10	-	-	-	-	-	-	-	-	-	-
				10 ⁻³ in.lb.s ²	10.53	9.74	9.38	9.03	8.85	-	-	-	-	-	-	-	-	-	-

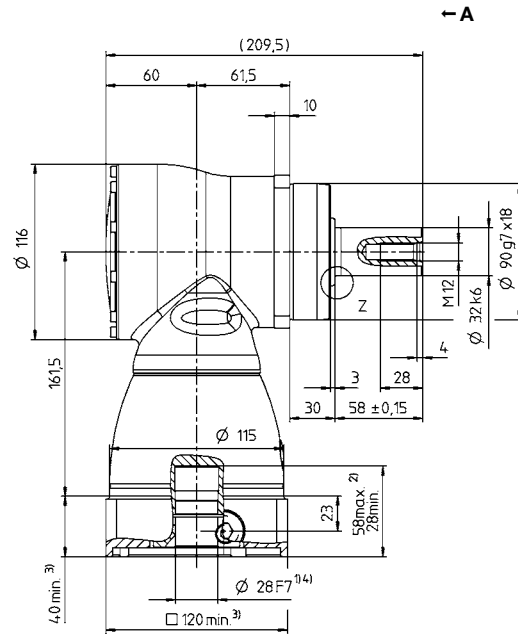
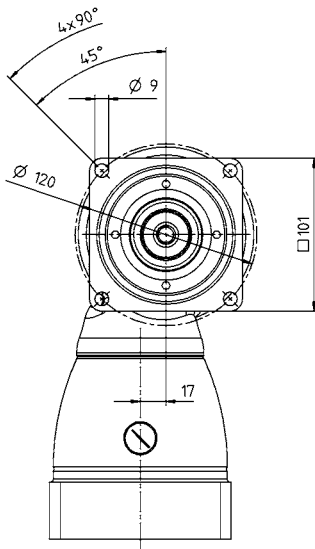
Please use our sizing software cymex[®] for a detailed sizing – www.wittenstein-cymex.com
Please contact us for optimum sizing at S1 conditions (Continuous operation).

- ^{a)} At max. 10 % F_{2QMax}
- ^{b)} Valid for standard clamping hub diameter
- ^{c)} Refers to center of the output shaft or flange
- ^{d)} Please reduce input speed at higher ambient temperatures
- ^{e)} Smooth shaft

View A

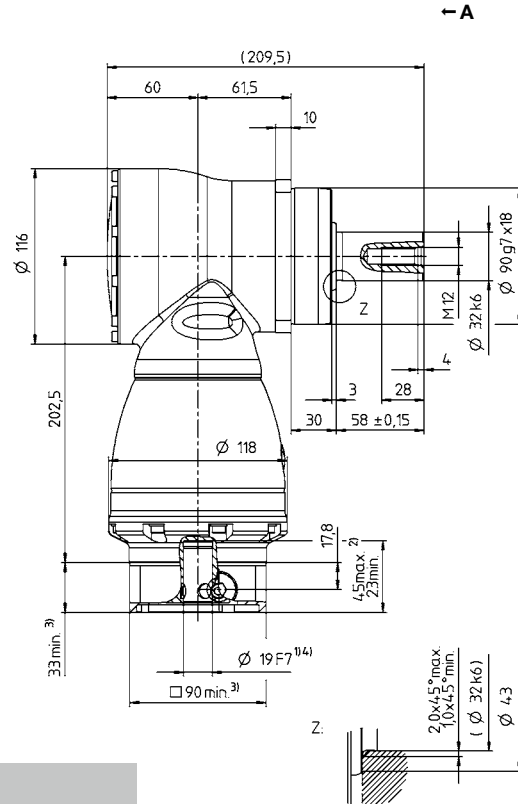
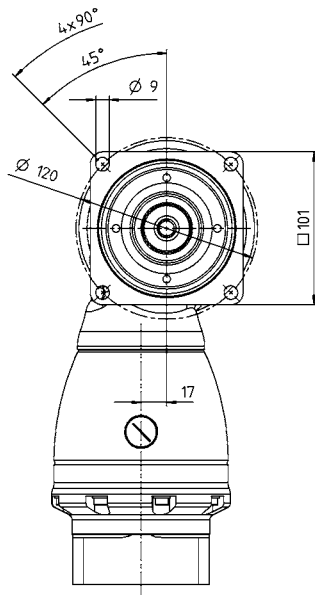
1-stage

up to 28/38⁴⁾
(H⁵⁾/K) clamping
hub diameter



2-stage

up to 19/24⁴⁾
(E⁵⁾/G) clamping
hub diameter



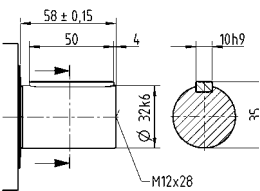
Motor shaft diameter [mm]

Hypoid gearboxes

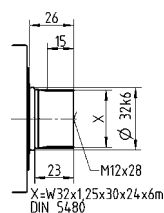
SK*

Other output variants

Shaft with key



Spined shaft (DIN 5480)



See technical data sheet for available clamping hub diameters (mass moment of inertia). Dimensions available on request.

Non-tolerated dimensions are nominal dimensions
1) Check motor shaft fit

2) Min./Max. permissible motor shaft length. Longer motor shafts are possible, please contact alpha.

3) The dimensions depend on the motor

4) Smaller motor shaft diameter is compensated by a bushing with a minimum thickness of 1 mm

5) Standard clamping hub diameter

SK+ 140 MF 1-/2-stage

			1-stage					2-stage											
Ratio	<i>i</i>		3	4	5	7	10	12	16	20	25	28	35	40	50	70	100		
Max. torque ^{a) b) e)}	T_{2a}	Nm	360	360	360	250	210	360	360	360	360	360	360	360	360	250	210		
		in.lb	3186	3186	3186	2213	1859	3186	3186	3186	3186	3186	3186	3186	3186	2213	1859		
Max. acceleration torque ^{b) e)} (max. 1000 cycles per hour)	T_{2B}	Nm	300	300	300	250	210	300	300	300	300	300	300	300	300	250	210		
		in.lb	2655	2655	2655	2213	1859	2655	2655	2655	2655	2655	2655	2655	2655	2213	1859		
Nominal torque (at n_n)	T_{2N}	Nm	190	190	190	175	160	190	190	190	190	190	190	190	190	175	160		
		in.lb	1682	1682	1682	1549	1416	1682	1682	1682	1682	1682	1682	1682	1682	1549	1416		
Emergency stop torque ^{a) b) e)} (permitted 1000 times during the service life of the gearbox)	T_{2Not}	Nm	400	500	500	450	400	500	500	500	500	500	500	500	500	450	400		
		in.lb	3540	4425	4425	3983	3540	4425	4425	4425	4425	4425	4425	4425	4425	3983	3540		
Permitted average input speed (at T_{2a} and 20 °C ambient temperature) ^{d)}	n_{1N}	n_{1T}	1900	2000	2200	2000	2000	2900	2900	2900	2900	2900	2900	2900	3200	3200	3900		
Max. input speed	n_{1Max}	rpm	5000	5000	5000	5000	5000	4500	4500	4500	4500	4500	4500	4500	4500	4500	4500		
Mean no load running torque ^{b)} (at $n_1 = 3000$ rpm and 20 °C gearbox temperature)	T_{012}	Nm	9.3	6.9	7.1	9.7	7.1	1.4	0.9	0.7	0.5	0.5	0.4	0.4	0.3	0.3	0.3		
		in.lb	82	61	63	86	63	12	8.0	6.2	4.4	4.4	3.5	3.5	2.7	2.7	2.7		
Max. backlash	j_t	arcmin	Standard ≤ 4																
Torsional rigidity ^{b)}	C_{t21}	Nm/arcmin	27	30	32	32	32	29	29	29	29	29	29	29	31	31	31		
		in.lb/arcmin	239	266	283	283	283	257	257	257	257	257	257	257	274	274	274		
Max. axial force ^{c)}	F_{2AMax}	N	9900																
		lb _f	2228																
Max. lateral force ^{c)}	F_{2QMax}	N	9500																
		lb _f	2138																
Max. tilting moment	M_{2KMax}	Nm	1692																
		in.lb	14976																
Efficiency at full load	η	%	96					94											
Service life	L_h	h	> 20000																
Weight (incl. standard adapter plate)	<i>m</i>	kg	22.6					25											
		lb _m	50					55											
Operating noise (at reference ratio and reference speed – ratio-specific values available in cymex [®])	L_{PA}	dB(A)	≤ 68																
Max. permitted housing temperature		°C	+90																
		F	194																
Ambient temperature		°C	0 to +40																
		F	32 to 104																
Lubrication			Lubricated for life																
Direction of rotation			In- and output opposite direction																
Protection class			IP 65																
Metal bellows coupling (recommended product type – validate sizing with cymex [®])			BC2 - 00300AA - 040.000 - X																
Bore diameter of coupling on the application side		mm	X = 024.000 - 060.000																
Mass moment of inertia (relates to the drive)	G	24	J_1	kgcm ²	-	-	-	-	-	4.21	3.85	3.28	3.17	2.78	2.73	2.48	2.46	2.43	2.42
				10 ⁻³ in.lb.s ²	-	-	-	-	-	3.73	3.41	2.9	2.81	2.46	2.42	2.19	2.18	2.15	2.14
Clamping hub diameter [mm]	K	38	J_1	kgcm ²	25	19.1	16.3	14.1	12.8	11.1	10.7	10.2	10.1	9.69	9.64	9.39	9.37	9.34	9.33
				10 ⁻³ in.lb.s ²	22.13	16.9	14.43	12.48	11.33	9.82	9.47	9.03	8.94	8.58	8.53	8.31	8.29	8.27	8.26

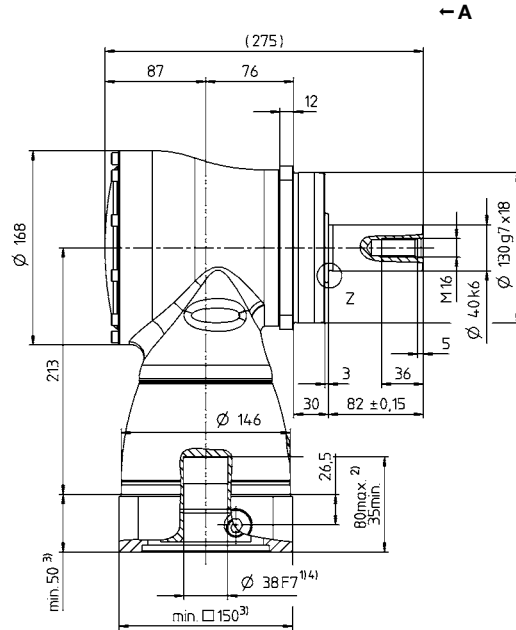
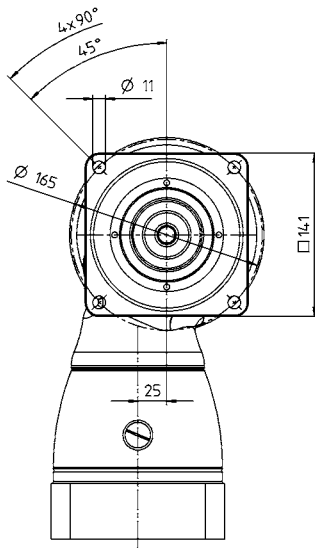
Please use our sizing software cymex[®] for a detailed sizing – www.wittenstein-cymex.com
Please contact us for optimum sizing at S1 conditions (Continuous operation).

- ^{a)} At max. 10 % F_{2QMax}
- ^{b)} Valid for standard clamping hub diameter
- ^{c)} Refers to center of the output shaft or flange
- ^{d)} Please reduce input speed at higher ambient temperatures
- ^{e)} Smooth shaft

View A

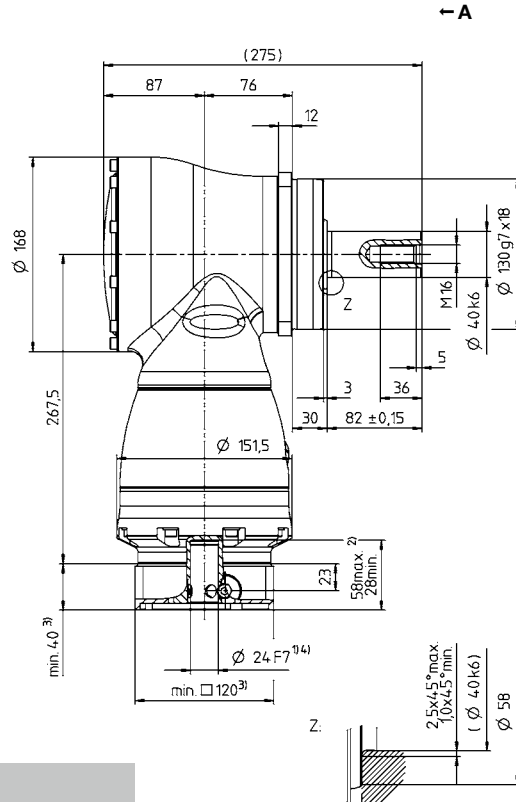
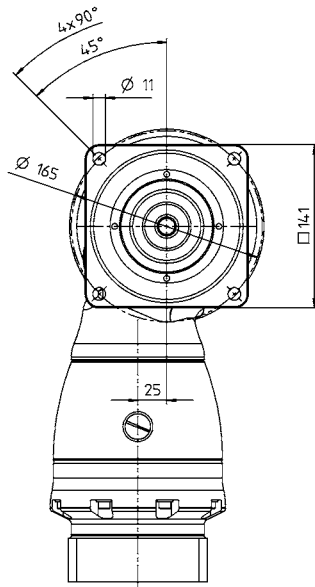
1-stage

up to 38⁴⁾ (K⁵⁾
clamping hub diameter



2-stage

up to 24/38⁴⁾
(G⁵⁾/K clamping
hub diameter



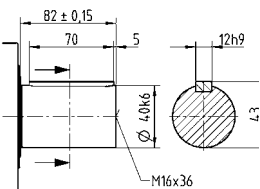
Motor shaft diameter [mm]

Hypoid gearboxes

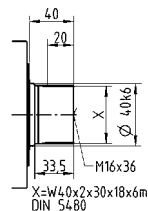
SK

Other output variants

Shaft with key



Spined shaft (DIN 5480)



See technical data sheet for available clamping hub diameters (mass moment of inertia). Dimensions available on request.

Non-tolerated dimensions are nominal dimensions
1) Check motor shaft fit

2) Min./Max. permissible motor shaft length. Longer motor shafts are possible, please contact alpha.

3) The dimensions depend on the motor

4) Smaller motor shaft diameter is compensated by a bushing with a minimum thickness of 1 mm

5) Standard clamping hub diameter

SK+ 180 MF 1-/2-stage

			1-stage					2-stage											
Ratio	<i>i</i>		3	4	5	7	10	12	16	20	25	28	35	40	50	70	100		
Max. torque ^{a) b) e)}	T_{2a}	Nm	768	768	768	550	470	768	768	768	768	768	768	768	768	550	470		
		in.lb	6797	6797	6797	4868	4160	6797	6797	6797	6797	6797	6797	6797	6797	6797	4868	4160	
Max. acceleration torque ^{b) e)} (max. 1000 cycles per hour)	T_{2B}	Nm	640	640	640	550	470	640	640	640	640	640	640	640	640	550	470		
		in.lb	5665	5665	5665	4868	4160	5665	5665	5665	5665	5665	5665	5665	5665	4868	4160		
Nominal torque (at n_n)	T_{2N}	Nm	400	400	400	380	360	400	400	400	400	400	400	400	400	380	360		
		in.lb	3540	3540	3540	3363	3186	3540	3540	3540	3540	3540	3540	3540	3540	3363	3186		
Emergency stop torque ^{a) b) e)} (permitted 1000 times during the service life of the gearbox)	T_{2Not}	Nm	900	1050	1050	970	900	1050	1050	1050	1050	1050	1050	1050	1050	970	900		
		in.lb	7966	9293	9293	8585	7966	9293	9293	9293	9293	9293	9293	9293	9293	8585	7966		
Permitted average input speed (at T_{2a} and 20 °C ambient temperature) ^{d)}	n_{1N}	n_{1T}	1600	1800	2000	1800	1800	2700	2700	2700	2700	2700	2700	2700	2900	3200	3400		
Max. input speed	n_{1Max}	rpm	4500	4500	4500	4500	4500	4000	4000	4000	4000	4000	4000	4000	4000	4000	4000		
Mean no load running torque ^{b)} (at $n_1 = 3000$ rpm and 20 °C gearbox temperature)	T_{012}	Nm	19	16	14	17	14	3	2.3	1.8	1.6	1.3	1.2	0.9	0.9	0.9	0.9		
		in.lb	168	142	124	150	124	27	20	16	14	12	11	8.0	8.0	8.0	8.0		
Max. backlash	j_t	arcmin	Standard ≤ 4																
Torsional rigidity ^{b)}	C_{t21}	Nm/arcmin	64	71	79	78	77	71	71	71	71	71	71	71	78	78	78		
		in.lb/arcmin	566	628	699	690	682	628	628	628	628	628	628	628	690	690	690		
Max. axial force ^{c)}	F_{2AMax}	N	14200																
		lb _f	3195																
Max. lateral force ^{c)}	F_{2QMax}	N	14700																
		lb _f	3308																
Max. tilting moment	M_{2KMax}	Nm	3213																
		in.lb	28438																
Efficiency at full load	η	%	96					94											
Service life	L_h	h	> 20000																
Weight (incl. standard adapter plate)	m	kg	45.4					48											
		lb _m	100					106											
Operating noise (at reference ratio and reference speed – ratio-specific values available in cymex [®])	L_{PA}	dB(A)	≤ 68																
		°C	+90																
Max. permitted housing temperature	F	°C	194																
		°C	0 to +40																
Ambient temperature	F	°C	32 to 104																
		°C	32 to 104																
Lubrication			Lubricated for life																
Direction of rotation			In- and output opposite direction																
Protection class			IP 65																
Metal bellows coupling (recommended product type – validate sizing with cymex [®])			BC2 - 00800AA - 055.000 - X																
Bore diameter of coupling on the application side		mm	X = 040.000 - 075.000																
Mass moment of inertia (relates to the drive)	K	38	J_1	kgcm ²	-	-	-	-	-	15.3	14	12.3	12	10.9	10.7	10.1	10	9.95	9.91
				10 ⁻³ in.lb.s ²	-	-	-	-	-	13.54	12.39	10.89	10.62	9.65	9.47	8.94	8.85	8.81	8.77
Clamping hub diameter [mm]	M	48	J_1	kgcm ²	73.3	51.6	42.1	34	29.7	30	28.7	27.1	26.7	25.6	25.4	24.8	24.7	24.7	24.6
				10 ⁻³ in.lb.s ²	64.87	45.67	37.26	30.09	26.28	26.55	25.4	23.98	23.63	22.66	22.48	21.95	21.86	21.86	21.77

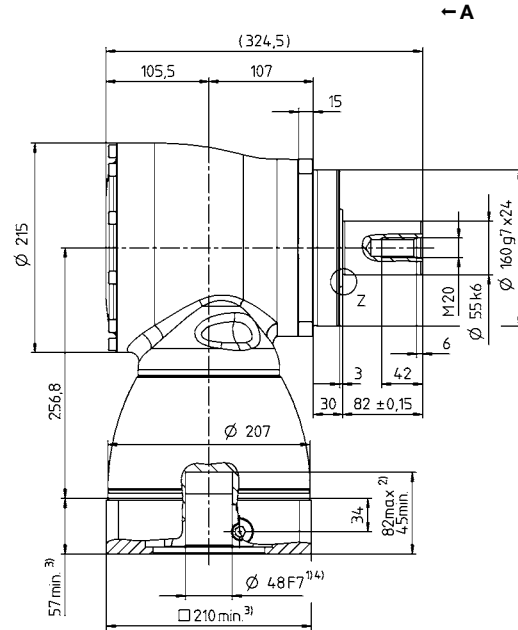
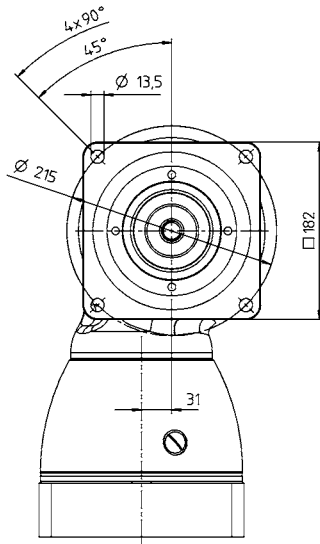
Please use our sizing software cymex[®] for a detailed sizing – www.wittenstein-cymex.com
Please contact us for optimum sizing at S1 conditions (Continuous operation).

- ^{a)} At max. 10 % F_{2QMax}
- ^{b)} Valid for standard clamping hub diameter
- ^{c)} Refers to center of the output shaft or flange
- ^{d)} Please reduce input speed at higher ambient temperatures
- ^{e)} Smooth shaft

View A

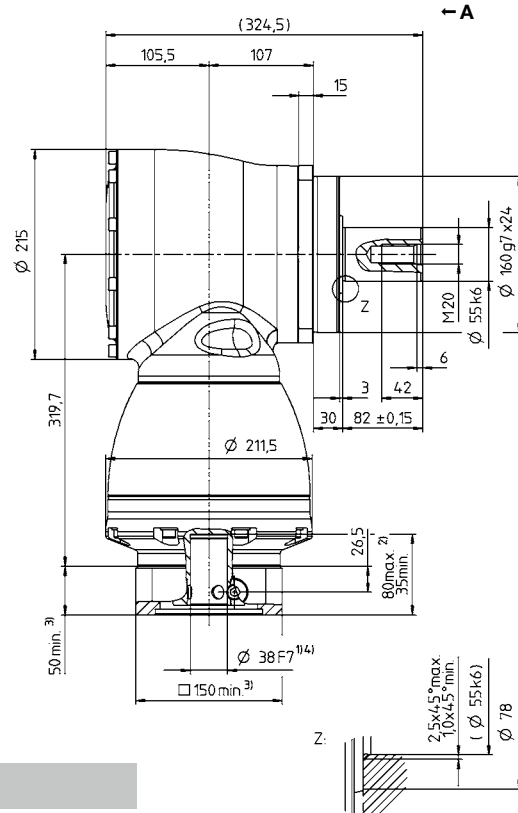
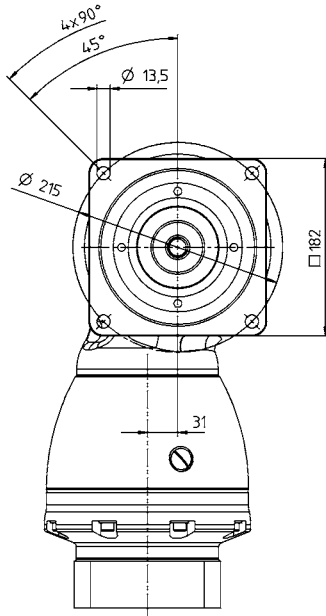
1-stage

up to 48⁴⁾ (M)⁵⁾
clamping hub diameter



2-stage

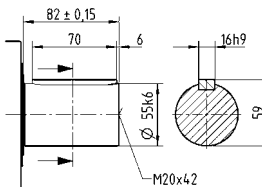
up to 38/48⁴⁾
(K⁵⁾/M) clamping hub diameter



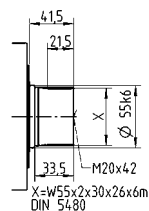
Motor shaft diameter [mm]

Other output variants

Shaft with key



Splined shaft (DIN 5480)



See technical data sheet for available clamping hub diameters (mass moment of inertia). Dimensions available on request.

Non-tolerated dimensions are nominal dimensions
¹⁾ Check motor shaft fit

²⁾ Min./Max. permissible motor shaft length. Longer motor shafts are possible, please contact alpha.

³⁾ The dimensions depend on the motor

⁴⁾ Smaller motor shaft diameter is compensated by a bushing with a minimum thickness of 1 mm

⁵⁾ Standard clamping hub diameter

SPK+ 075 MF 2-stage

			2-stage											
Ratio	i		12	16	20	25	28	35	40	50	70	100		
Max. torque ^{a) b) e)}	T_{2a}	Nm	144	144	176	176	176	176	80	100	140	152		
		in.lb	1275	1275	1558	1558	1558	1558	708	885	1239	1345		
Max. acceleration torque ^{b) e)} (max. 1000 cycles per hour)	T_{2B}	Nm	120	120	132	132	132	132	80	100	132	114		
		in.lb	1062	1062	1168	1168	1168	1168	708	885	1168	1009		
Nominal torque (at n_n)	T_{2N}	Nm	75	75	75	75	75	75	60	75	75	52		
		in.lb	664	664	664	664	664	664	531	664	664	460		
Emergency stop torque ^{a) b) e)} (permitted 1000 times during the service life of the gearbox)	T_{2Not}	Nm	160	200	250	250	250	250	160	200	250	250		
		in.lb	1416	1770	2213	2213	2213	2213	1416	1770	2213	2213		
Permitted average input speed (at T_{2a} and 20 °C ambient temperature) ^{d)}	n_{1N}	n_{1T}	2000	2400	2400	2700	2400	2500	2500	2500	2500	2500		
Max. input speed	n_{1Max}	rpm	7500	7500	7500	7500	7500	7500	7500	7500	7500	7500		
Mean no load running torque ^{b)} (at $n_1 = 3000$ rpm and 20 °C gearbox temperature)	T_{012}	Nm	1.5	1.4	1.3	1.2	1.3	1.3	1.3	1.3	1.4	1.4		
		in.lb	13	12	12	11	12	12	12	12	12	12		
Max. backlash	j_t	arcmin	Standard ≤ 5 / Reduced ≤ 3											
Torsional rigidity ^{b)}	C_{t21}	Nm/arcmin	10	10	10	10	10	10	10	10	10	10		
		in.lb/arcmin	89	89	89	89	89	89	89	89	89	89		
Max. axial force ^{c)}	F_{2AMax}	N	3350											
		lb _f	754											
Max. lateral force ^{c)}	F_{2QMax}	N	4000											
		lb _f	900											
Max. tilting moment	M_{2KMax}	Nm	236											
		in.lb	2089											
Efficiency at full load	η	%	94											
Service life	L_h	h	> 20000											
Weight (incl. standard adapter plate)	m	kg	5.2											
		lb _m	11											
Operating noise (at reference ratio and reference speed – ratio-specific values available in cymex [®])	L_{PA}	dB(A)	≤ 66											
		°C	+90											
Max. permitted housing temperature		F	194											
		°C	0 to +40											
Ambient temperature		F	32 to 104											
Lubrication			Lubricated for life											
Direction of rotation			In- and output opposite direction											
Protection class			IP 65											
Metal bellows coupling (recommended product type – validate sizing with cymex [®])			BC2 - 00150AA - 022.000 - X											
		Bore diameter of coupling on the application side	mm	X = 019.000 - 042.000										
Mass moment of inertia (relates to the drive)	C	14	J_1	kgcm ²	0.54	0.45	0.44	0.4	0.44	0.36	0.35	0.34	0.34	0.34
				10 ⁻³ in.lb.s ²	0.48	0.4	0.39	0.35	0.39	0.32	0.31	0.3	0.3	0.3
Clamping hub diameter [mm]	E	19	J_1	kgcm ²	0.89	0.8	0.79	0.75	0.79	0.71	0.7	0.7	0.7	0.69
				10 ⁻³ in.lb.s ²	0.79	0.71	0.7	0.66	0.7	0.63	0.62	0.62	0.62	0.61

Please use our sizing software cymex[®] for a detailed sizing – www.wittenstein-cymex.com
Please contact us for optimum sizing at S1 conditions (Continuous operation).

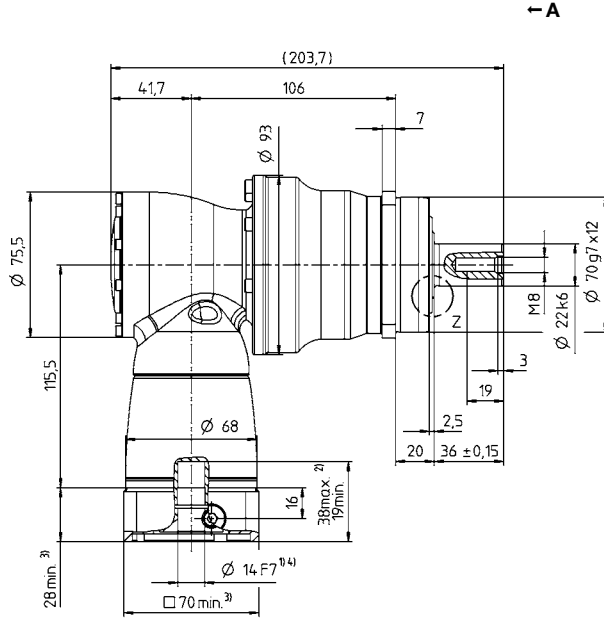
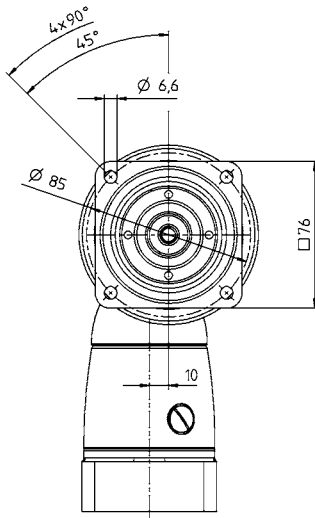
- ^{a)} At max. 10 % F_{2QMax}
- ^{b)} Valid for standard clamping hub diameter
- ^{c)} Refers to center of the output shaft or flange
- ^{d)} Please reduce input speed at higher ambient temperatures
- ^{e)} Smooth shaft

View A

Motor shaft diameter [mm]

2-stage

up to 14/19⁴⁾
(C⁵⁾/E) clamping
hub diameter

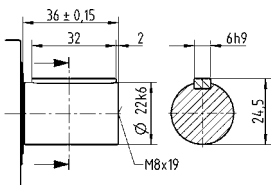


Hypoid gearboxes

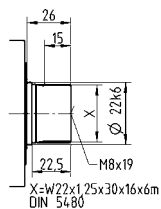
SPK

Other output variants

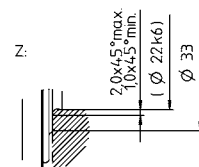
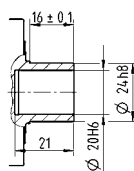
Shaft with key



Splined shaft (DIN 5480)



Shaft mounted



See technical data sheet for available clamping hub diameters (mass moment of inertia). Dimensions available on request.

Non-tolerated dimensions are nominal dimensions
1) Check motor shaft fit

2) Min./Max. permissible motor shaft length. Longer motor shafts are possible, please contact alpha.

3) The dimensions depend on the motor

4) Smaller motor shaft diameter is compensated by a bushing with a minimum thickness of 1 mm

5) Standard clamping hub diameter

SPK+ 075 MF 3-stage

			3-stage														
Ratio	<i>i</i>		64	84	100	125	140	175	200	250	280	350	400	500	700	1000	
Max. torque ^{a) b) e)}	T_{2a}	Nm	144	144	176	176	176	176	176	176	176	176	80	100	140	152	
		in.lb	1275	1275	1558	1558	1558	1558	1558	1558	1558	1558	1558	708	885	1239	1345
Max. acceleration torque ^{b) e)} (max. 1000 cycles per hour)	T_{2B}	Nm	120	120	132	132	132	132	132	132	132	132	80	100	132	114	
		in.lb	1062	1062	1168	1168	1168	1168	1168	1168	1168	1168	1168	708	885	1168	1009
Nominal torque (at n_n)	T_{2N}	Nm	75	75	75	75	75	75	75	75	75	75	60	75	75	52	
		in.lb	664	664	664	664	664	664	664	664	664	664	664	531	664	664	460
Emergency stop torque ^{a) b) e)} (permitted 1000 times during the service life of the gearbox)	T_{2Not}	Nm	200	160	250	250	250	250	250	250	250	250	160	200	250	250	
		in.lb	1770	1416	2213	2213	2213	2213	2213	2213	2213	2213	1416	1770	2213	2213	
Permitted average input speed (at T_{2a} and 20 °C ambient temperature) ^{d)}	n_{1N}	n_{1T}	4400	4400	4400	4400	4400	4400	4400	4800	4400	4800	5500	5500	5500	5500	
Max. input speed	n_{1Max}	rpm	6000	6000	6000	6000	6000	6000	6000	6000	6000	6000	6000	6000	6000	6000	
Mean no load running torque ^{b)} (at $n_1 = 3000$ rpm and 20 °C gearbox temperature)	T_{012}	Nm	0.45	0.45	0.45	0.45	0.45	0.45	0.3	0.3	0.3	0.3	0.3	0.3	0.3	0.3	
		in.lb	4.0	4.0	4.0	4.0	4.0	4.0	4.0	2.7	2.7	2.7	2.7	2.7	2.7	2.7	
Max. backlash	j_t	arcmin	Standard ≤ 5 / Reduced ≤ 3														
Torsional rigidity ^{b)}	C_{t21}	Nm/arcmin	10	10	10	10	10	10	10	10	10	10	10	10	10	10	
		in.lb/arcmin	89	89	89	89	89	89	89	89	89	89	89	89	89	89	
Max. axial force ^{c)}	F_{2AMax}	N	3350														
		lb _f	754														
Max. lateral force ^{c)}	F_{2QMax}	N	4000														
		lb _f	900														
Max. tilting moment	M_{2KMax}	Nm	236														
		in.lb	2089														
Efficiency at full load	η	%	92														
Service life	L_h	h	> 20000														
Weight (incl. standard adapter plate)	m	kg	5.5														
		lb _m	12														
Operating noise (at reference ratio and reference speed – ratio-specific values available in cymex [®])	L_{PA}	dB(A)	≤ 66														
Max. permitted housing temperature		°C	+90														
		F	194														
Ambient temperature		°C	0 to +40														
		F	32 to 104														
Lubrication			Lubricated for life														
Direction of rotation			In- and output opposite direction														
Protection class			IP 65														
Metal bellows coupling (recommended product type – validate sizing with cymex [®])			BC2 - 00150AA - 022.000 - X														
Bore diameter of coupling on the application side		mm	X = 019.000 - 042.000														
Mass moment of inertia (relates to the drive)	B	11	J_1	kgcm ²	0.09	0.07	0.08	0.07	0.06	0.06	0.06	0.06	0.06	0.06	0.06	0.06	0.06
				10 ⁻³ in.lb.s ²	0.08	0.06	0.07	0.06	0.05	0.05	0.05	0.05	0.05	0.05	0.05	0.05	0.05
Clamping hub diameter [mm]	C	14	J_1	kgcm ²	0.2	0.18	0.19	0.19	0.18	0.18	0.17	0.17	0.17	0.17	0.17	0.17	0.17
				10 ⁻³ in.lb.s ²	0.18	0.16	0.17	0.17	0.16	0.16	0.15	0.15	0.15	0.15	0.15	0.15	0.15

Please use our sizing software cymex[®] for a detailed sizing – www.wittenstein-cymex.com
Please contact us for optimum sizing at S1 conditions (Continuous operation).

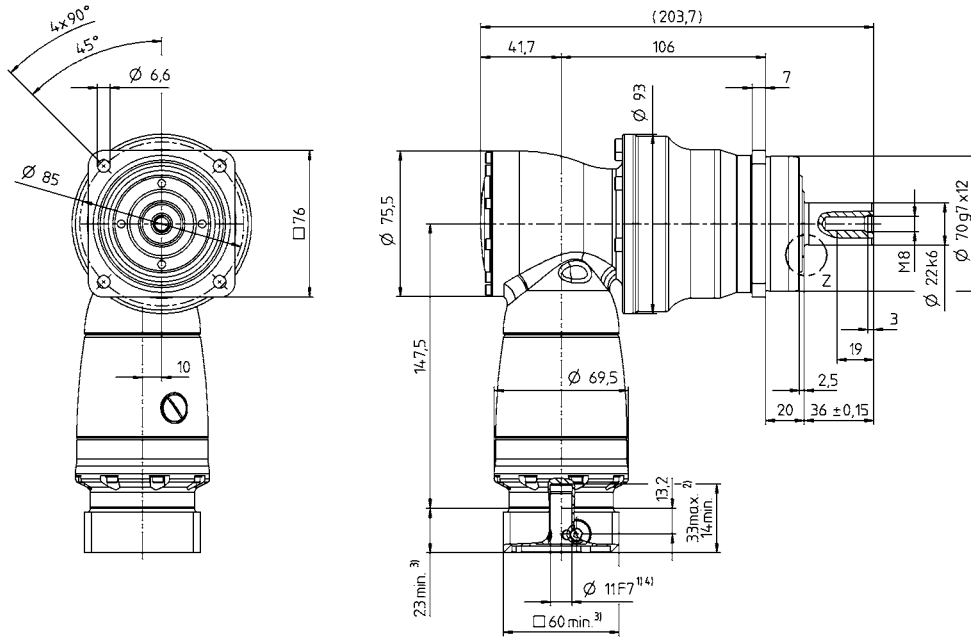
- ^{a)} At max. 10 % F_{2QMax}
- ^{b)} Valid for standard clamping hub diameter
- ^{c)} Refers to center of the output shaft or flange
- ^{d)} Please reduce input speed at higher ambient temperatures
- ^{e)} Smooth shaft

View A

Motor shaft diameter [mm]

3-stage

up to 11/14⁴⁾
(B⁵⁾/C) clamping
hub diameter

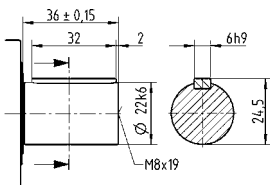


Hypoid gearboxes

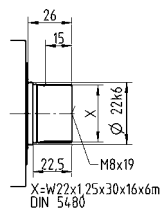
SPK

Other output variants

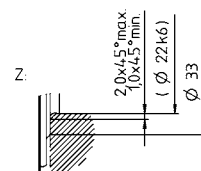
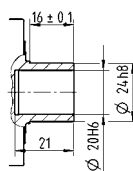
Shaft with key



Splined shaft (DIN 5480)



Shaft mounted



See technical data sheet for available clamping hub diameters (mass moment of inertia). Dimensions available on request.

Non-tolerated dimensions are nominal dimensions

- ¹⁾ Check motor shaft fit
- ²⁾ Min./Max. permissible motor shaft length. Longer motor shafts are possible, please contact alpha.
- ³⁾ The dimensions depend on the motor
- ⁴⁾ Smaller motor shaft diameter is compensated by a bushing with a minimum thickness of 1 mm
- ⁵⁾ Standard clamping hub diameter

SPK+ 100 MF 2-stage

			2-stage										
Ratio	<i>i</i>		12	16	20	25	28	35	40	50	70	100	
Max. torque ^{a) b) e)}	T_{2a}	Nm	336	336	420	420	428	428	200	250	350	376	
		in.lb	2974	2974	3717	3717	3788	3788	1770	2213	3098	3328	
Max. acceleration torque ^{b) e)} (max. 1000 cycles per hour)	T_{2B}	Nm	280	280	350	350	378	378	200	250	350	282	
		in.lb	2478	2478	3098	3098	3346	3346	1770	2213	3098	2496	
Nominal torque (at n_n)	T_{2N}	Nm	180	180	175	175	170	170	160	175	170	120	
		in.lb	1593	1593	1549	1549	1505	1505	1416	1549	1505	1062	
Emergency stop torque ^{a) b) e)} (permitted 1000 times during the service life of the gearbox)	T_{2Not}	Nm	380	460	575	575	625	625	400	500	625	625	
		in.lb	3363	4071	5089	5089	5532	5532	3540	4425	5532	5532	
Permitted average input speed (at T_{2a} and 20 °C ambient temperature) ^{d)}	n_{1N}	n_{1T}	2000	2400	2400	2700	2400	2500	2500	2500	2500	2500	
Max. input speed	n_{1Max}	rpm	7500	7500	7500	7500	7500	7500	7500	7500	7500	7500	
Mean no load running torque ^{b)} (at $n_1 = 3000$ rpm and 20 °C gearbox temperature)	T_{012}	Nm	2	2.2	2.1	2.1	2.1	2.1	2	2	2	2	
		in.lb	18	19	19	19	19	19	18	18	18	18	
Max. backlash	j_t	arcmin	Standard ≤ 4 / Reduced ≤ 2										
Torsional rigidity ^{b)}	C_{t21}	Nm/arcmin	31	31	31	31	31	31	31	31	31	31	
		in.lb/arcmin	274	274	274	274	274	274	274	274	274	274	
Max. axial force ^{c)}	F_{2AMax}	N	5650										
		lb _f	1271										
Max. lateral force ^{c)}	F_{2QMax}	N	6300										
		lb _f	1418										
Max. tilting moment	M_{2KMax}	Nm	487										
		in.lb	4310										
Efficiency at full load	η	%	94										
Service life	L_h	h	> 20000										
Weight (incl. standard adapter plate)	m	kg	9.7										
		lb _m	21										
Operating noise (at reference ratio and reference speed – ratio-specific values available in cymex [®])	L_{PA}	dB(A)	≤ 68										
		°C	+90										
Max. permitted housing temperature		F	194										
		°C	0 to +40										
Ambient temperature		F	32 to 104										
Lubrication			Lubricated for life										
Direction of rotation			In- and output opposite direction										
Protection class			IP 65										
Metal bellows coupling (recommended product type – validate sizing with cymex [®])			BC2 - 00300AA - 032.000 - X										
		Bore diameter of coupling on the application side	mm	X = 024.000 - 060.000									
Mass moment of inertia (relates to the drive)	E	19	J_1	kgcm ²	1.48	1.2	1.17	1.05	1.15	0.95	0.9	0.89	0.89
				10 ⁻³ in.lb.s ²	1.31	1.06	1.04	0.93	1.02	0.84	0.8	0.79	0.79
Clamping hub diameter [mm]	H	28	J_1	kgcm ²	2.89	2.62	2.59	2.46	2.56	2.36	2.31	2.31	2.3
				10 ⁻³ in.lb.s ²	2.56	2.32	2.29	2.18	2.27	2.09	2.04	2.04	2.04

Please use our sizing software cymex[®] for a detailed sizing – www.wittenstein-cymex.com
Please contact us for optimum sizing at S1 conditions (Continuous operation).

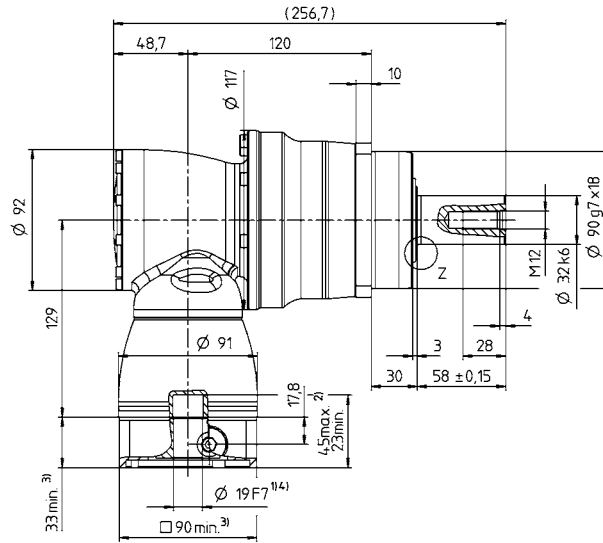
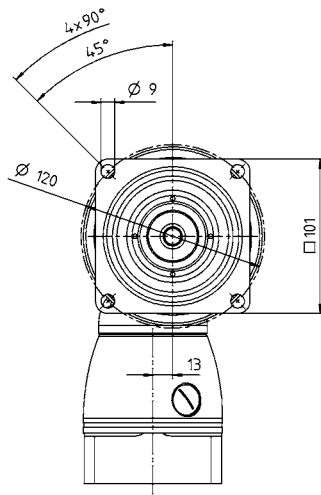
- ^{a)} At max. 10 % F_{2QMax}
- ^{b)} Valid for standard clamping hub diameter
- ^{c)} Refers to center of the output shaft or flange
- ^{d)} Please reduce input speed at higher ambient temperatures
- ^{e)} Smooth shaft

View A

Motor shaft diameter [mm]

2-stage

up to 19/28⁴⁾
(E⁵⁾/H) clamping hub diameter

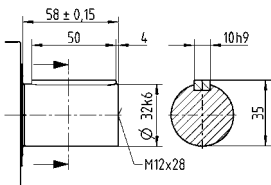


Hypoid gearboxes

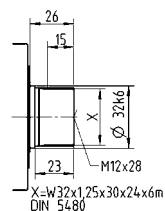
SPK

Other output variants

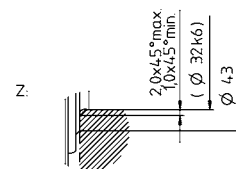
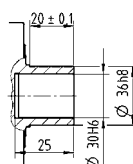
Shaft with key



Splined shaft (DIN 5480)



Shaft mounted



See technical data sheet for available clamping hub diameters (mass moment of inertia). Dimensions available on request.

Non-tolerated dimensions are nominal dimensions
1) Check motor shaft fit

2) Min./Max. permissible motor shaft length. Longer motor shafts are possible, please contact alpha.

3) The dimensions depend on the motor

4) Smaller motor shaft diameter is compensated by a bushing with a minimum thickness of 1 mm

5) Standard clamping hub diameter

SPK+ 100 MF 3-stage

			3-stage														
Ratio	<i>i</i>		64	84	100	125	140	175	200	250	280	350	400	500	700	1000	
Max. torque ^{a) b) e)}	T_{2a}	Nm	336	336	420	420	420	420	420	420	428	428	200	250	350	376	
		in.lb	2974	2974	3717	3717	3717	3717	3717	3717	3788	3788	1770	2213	3098	3328	
Max. acceleration torque ^{b) e)} (max. 1000 cycles per hour)	T_{2B}	Nm	280	280	350	350	350	350	350	350	378	378	200	250	350	282	
		in.lb	2478	2478	3098	3098	3098	3098	3098	3098	3346	3346	1770	2213	3098	2496	
Nominal torque (at n_n)	T_{2N}	Nm	180	180	175	175	175	175	175	175	170	170	160	175	170	120	
		in.lb	1593	1593	1549	1549	1549	1549	1549	1549	1505	1505	1416	1549	1505	1062	
Emergency stop torque ^{a) b) e)} (permitted 1000 times during the service life of the gearbox)	T_{2Not}	Nm	460	380	575	575	575	575	575	575	625	625	400	500	625	625	
		in.lb	4071	3363	5089	5089	5089	5089	5089	5089	5532	5532	3540	4425	5532	5532	
Permitted average input speed (at T_{2a} and 20 °C ambient temperature) ^{d)}	n_{1N}	n_{1T}	3500	3500	3500	3500	3500	3500	3500	3800	3500	3800	4500	4500	4500	4500	
Max. input speed	n_{1Max}	rpm	6000	6000	6000	6000	6000	6000	6000	6000	6000	6000	6000	6000	6000	6000	
Mean no load running torque ^{b)} (at $n_1 = 3000$ rpm and 20 °C gearbox temperature)	T_{012}	Nm	0.6	0.45	0.45	0.45	0.45	0.45	0.3	0.3	0.3	0.3	0.3	0.3	0.3	0.3	
		in.lb	5.3	4.0	4.0	4.0	4.0	4.0	2.7	2.7	2.7	2.7	2.7	2.7	2.7	2.7	
Max. backlash	j_t	arcmin	Standard ≤ 4 / Reduced ≤ 2														
Torsional rigidity ^{b)}	C_{t21}	Nm/arcmin	31	31	31	31	31	31	31	31	31	31	31	31	31	31	
		in.lb/arcmin	274	274	274	274	274	274	274	274	274	274	274	274	274	274	
Max. axial force ^{c)}	F_{2AMax}	N	5650														
		lb _f	1271														
Max. lateral force ^{c)}	F_{2QMax}	N	6300														
		lb _f	1418														
Max. tilting moment	M_{2KMax}	Nm	487														
		in.lb	4310														
Efficiency at full load	η	%	92														
Service life	L_h	h	> 20000														
Weight (incl. standard adapter plate)	<i>m</i>	kg	10.3														
		lb _m	23														
Operating noise (at reference ratio and reference speed – ratio-specific values available in cymex [®])	L_{PA}	dB(A)	≤ 68														
		°C	+90														
Max. permitted housing temperature	<i>F</i>	°C	194														
		°C	0 to +40														
Ambient temperature	<i>F</i>	°C	32 to 104														
		°C	32 to 104														
Lubrication			Lubricated for life														
Direction of rotation			In- and output opposite direction														
Protection class			IP 65														
Metal bellows coupling (recommended product type – validate sizing with cymex [®])			BC2 - 00300AA - 032.000 - X														
		Bore diameter of coupling on the application side	mm	X = 024.000 - 060.000													
Mass moment of inertia (relates to the drive)	C	14	J_1	kgcm ²	0.28	0.23	0.24	0.23	0.21	0.2	0.19	0.18	0.19	0.18	0.18	0.18	0.18
				10 ⁻³ in.lb.s ²	0.25	0.2	0.21	0.2	0.19	0.18	0.17	0.16	0.17	0.16	0.16	0.16	0.16
Clamping hub diameter [mm]	E	19	J_1	kgcm ²	0.72	0.63	0.68	0.68	0.63	0.63	0.63	0.63	0.63	0.63	0.63	0.63	
				10 ⁻³ in.lb.s ²	0.64	0.56	0.6	0.6	0.56	0.56	0.56	0.56	0.56	0.56	0.56	0.56	0.56

Please use our sizing software cymex[®] for a detailed sizing – www.wittenstein-cymex.com
Please contact us for optimum sizing at S1 conditions (Continuous operation).

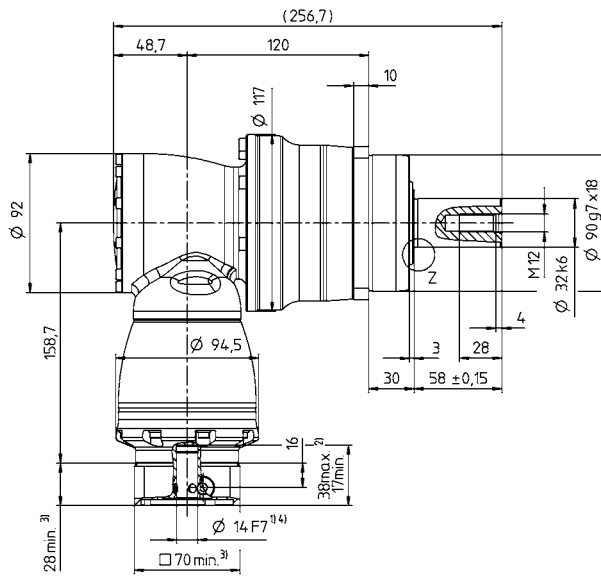
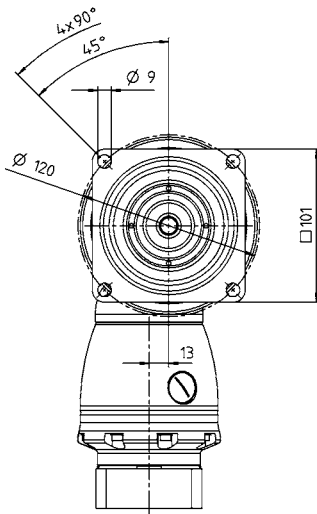
- ^{a)} At max. 10 % F_{2QMax}
- ^{b)} Valid for standard clamping hub diameter
- ^{c)} Refers to center of the output shaft or flange
- ^{d)} Please reduce input speed at higher ambient temperatures
- ^{e)} Smooth shaft

View A

Motor shaft diameter [mm]

3-stage

up to 14/19⁴⁾
(C⁵⁾/E) clamping
hub diameter



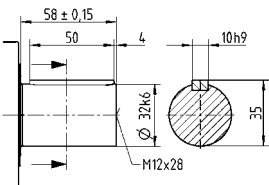
← A

Hypoid gearboxes

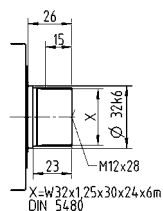
SPK

Other output variants

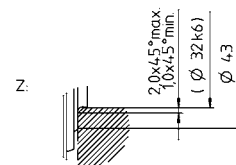
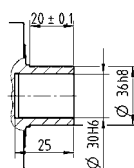
Shaft with key



Splined shaft (DIN 5480)



Shaft mounted



See technical data sheet for available clamping hub diameters (mass moment of inertia). Dimensions available on request.

- Non-tolerated dimensions are nominal dimensions
- ¹⁾ Check motor shaft fit
- ²⁾ Min./Max. permissible motor shaft length. Longer motor shafts are possible, please contact alpha.
- ³⁾ The dimensions depend on the motor
- ⁴⁾ Smaller motor shaft diameter is compensated by a bushing with a minimum thickness of 1 mm
- ⁵⁾ Standard clamping hub diameter

SPK+ 140 MF 2-stage

			2-stage											
Ratio	i		12	16	20	25	28	35	40	50	70	100		
Max. torque ^{a) b) e)}	T_{2a}	Nm	816	816	1020	1020	825	825	500	625	625	720		
		in.lb	7222	7222	9028	9028	7302	7302	4425	5532	5532	6373		
Max. acceleration torque ^{b) e)} (max. 1000 cycles per hour)	T_{2B}	Nm	680	680	792	792	792	792	500	625	792	636		
		in.lb	6019	6019	7010	7010	7010	7010	4425	5532	7010	5629		
Nominal torque (at n_n)	T_{2N}	Nm	360	360	360	360	360	360	320	360	360	220		
		in.lb	3186	3186	3186	3186	3186	3186	2832	3186	3186	1947		
Emergency stop torque ^{a) b) e)} (permitted 1000 times during the service life of the gearbox)	T_{2Not}	Nm	880	1040	1300	1300	1350	1350	1000	1250	1350	1250		
		in.lb	7789	9205	11506	11506	11949	11949	8851	11064	11949	11064		
Permitted average input speed (at T_{2a} and 20 °C ambient temperature) ^{d)}	n_{1N}	n_{1T}	1900	2300	2300	2600	2300	2300	2300	2300	2300	2300		
Max. input speed	n_{1Max}	rpm	5500	5500	5500	5500	5500	5500	5500	5500	5500	5500		
Mean no load running torque ^{b)} (at $n_1 = 3000$ rpm and 20 °C gearbox temperature)	T_{012}	Nm	3.5	4.7	3.3	3.3	3.6	3.6	3.1	3.1	3.1	3.1		
		in.lb	31	42	29	29	32	32	27	27	27	27		
Max. backlash	j_t	arcmin	Standard ≤ 4 / Reduced ≤ 2											
Torsional rigidity ^{b)}	C_{t21}	Nm/arcmin	53	53	53	53	53	53	53	53	53	53		
		in.lb/arcmin	469	469	469	469	469	469	469	469	469	469		
Max. axial force ^{c)}	F_{2AMax}	N	9870											
		lb _f	2221											
Max. lateral force ^{c)}	F_{2QMax}	N	9450											
		lb _f	2126											
Max. tilting moment	M_{2KMax}	Nm	952											
		in.lb	8426											
Efficiency at full load	η	%	94											
Service life	L_h	h	> 20000											
Weight (incl. standard adapter plate)	m	kg	20											
		lb _m	44											
Operating noise (at reference ratio and reference speed – ratio-specific values available in cymex [®])	L_{PA}	dB(A)	≤ 68											
		°C	+90											
Max. permitted housing temperature		F	194											
		°C	0 to +40											
Ambient temperature		F	32 to 104											
Lubrication			Lubricated for life											
Direction of rotation			In- and output opposite direction											
Protection class			IP 65											
Metal bellows coupling (recommended product type – validate sizing with cymex [®])			BC2 - 00800AA - 040.000 - X											
		Bore diameter of coupling on the application side	mm	X = 040.000 - 075.000										
Mass moment of inertia (relates to the drive)	H	28	J_1	kgcm ²	4.68	3.82	3.75	3.31	3.68	2.97	2.8	2.79	2.78	2.77
				10 ⁻³ in.lb.s ²	4.14	3.38	3.32	2.93	3.26	2.63	2.48	2.47	2.46	2.45
Clamping hub diameter [mm]	K	38	J_1	kgcm ²	11.8	11	10.9	10.5	10.9	10.1	9.96	9.95	9.94	9.94
				10 ⁻³ in.lb.s ²	10.44	9.74	9.65	9.29	9.65	8.94	8.81	8.81	8.8	8.8

Please use our sizing software cymex[®] for a detailed sizing – www.wittenstein-cymex.com
Please contact us for optimum sizing at S1 conditions (Continuous operation).

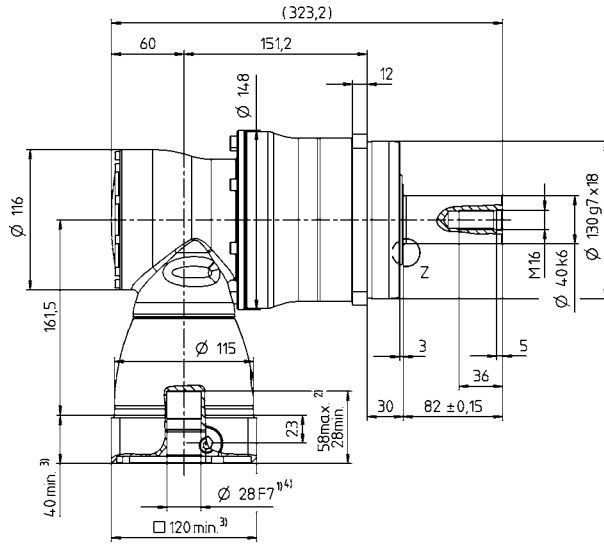
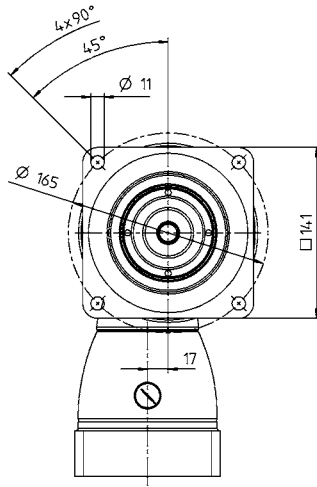
- ^{a)} At max. 10 % F_{2QMax}
- ^{b)} Valid for standard clamping hub diameter
- ^{c)} Refers to center of the output shaft or flange
- ^{d)} Please reduce input speed at higher ambient temperatures
- ^{e)} Smooth shaft

View A

Motor shaft diameter [mm]

2-stage

up to 28/38⁴⁾
(H⁵⁾/K) clamping
hub diameter



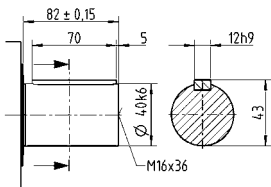
← A

Hypoid gearboxes

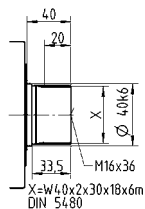
SPK

Other output variants

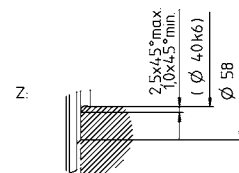
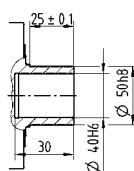
Shaft with key



Splined shaft (DIN 5480)



Shaft mounted



See technical data sheet for available clamping hub diameters (mass moment of inertia). Dimensions available on request.

Non-tolerated dimensions are nominal dimensions
1) Check motor shaft fit

2) Min./Max. permissible motor shaft length. Longer motor shafts are possible, please contact alpha.

3) The dimensions depend on the motor

4) Smaller motor shaft diameter is compensated by a bushing with a minimum thickness of 1 mm

5) Standard clamping hub diameter

SPK+ 140 MF 3-stage

			3-stage														
Ratio	<i>i</i>		64	84	100	125	140	175	200	250	280	350	400	500	700	1000	
Max. torque ^{a) b) e)}	T_{2a}	Nm	816	816	1020	1020	1020	1020	1020	1020	825	825	500	625	825	720	
		in.lb	7222	7222	9028	9028	9028	9028	9028	9028	9028	7302	7302	4425	5532	7302	6373
Max. acceleration torque ^{b) e)} (max. 1000 cycles per hour)	T_{2B}	Nm	680	680	792	792	792	792	792	792	792	792	500	625	792	636	
		in.lb	6019	6019	7010	7010	7010	7010	7010	7010	7010	7010	7010	4425	5532	7010	5629
Nominal torque (at n_N)	T_{2N}	Nm	360	360	360	360	360	360	360	360	360	360	320	360	360	220	
		in.lb	3186	3186	3186	3186	3186	3186	3186	3186	3186	3186	3186	2832	3186	3186	1947
Emergency stop torque ^{a) b) e)} (permitted 1000 times during the service life of the gearbox)	T_{2Not}	Nm	1040	880	1300	1300	1300	1300	1300	1300	1300	1350	1350	1000	1250	1350	1250
		in.lb	9205	7789	11506	11506	11506	11506	11506	11506	11506	11949	11949	8851	11064	11949	11064
Permitted average input speed (at T_{2a} and 20 °C ambient temperature) ^{d)}	n_{1N}	n_{1T}	3100	3100	3100	3100	3100	3100	3100	3500	3100	3500	4200	4200	4200	4200	
Max. input speed	n_{1Max}	rpm	4500	4500	4500	4500	4500	4500	4500	4500	4500	4500	4500	4500	4500	4500	
Mean no load running torque ^{b)} (at $n_1 = 3000$ rpm and 20 °C gearbox temperature)	T_{012}	Nm	1.1	0.9	0.9	0.75	0.75	0.6	0.45	0.45	0.45	0.45	0.45	0.45	0.45	0.45	0.45
		in.lb	9.7	8.0	8.0	6.6	6.6	5.3	4.0	4.0	4.0	4.0	4.0	4.0	4.0	4.0	4.0
Max. backlash	j_t	arcmin	Standard ≤ 4 / Reduced ≤ 2														
Torsional rigidity ^{b)}	C_{t21}	Nm/arcmin	53	53	53	53	53	53	53	53	53	53	53	53	53	53	
		in.lb/arcmin	469	469	469	469	469	469	469	469	469	469	469	469	469	469	469
Max. axial force ^{c)}	F_{2AMax}	N	9870														
		lb _f	2221														
Max. lateral force ^{c)}	F_{2QMax}	N	9450														
		lb _f	2126														
Max. tilting moment	M_{2KMax}	Nm	952														
		in.lb	8426														
Efficiency at full load	η	%	92														
Service life	L_h	h	> 20000														
Weight (incl. standard adapter plate)	m	kg	20.7														
		lb _m	46														
Operating noise (at reference ratio and reference speed – ratio-specific values available in cymex [®])	L_{PA}	dB(A)	≤ 68														
		°C	+90														
Max. permitted housing temperature	F	°C	194														
		°C	0 to +40														
Ambient temperature	F	°C	32 to 104														
		°C	32 to 104														
Lubrication			Lubricated for life														
Direction of rotation			In- and output opposite direction														
Protection class			IP 65														
Metal bellows coupling (recommended product type – validate sizing with cymex [®])			BC2 - 00800AA - 040.000 - X														
		mm	X = 040.000 - 075.000														
Bore diameter of coupling on the application side			X = 040.000 - 075.000														
		mm	X = 040.000 - 075.000														
Mass moment of inertia (relates to the drive)	E 19	J_1	kgcm ²	1.01	0.76	0.88	0.85	0.76	0.75	0.7	0.69	0.7	0.69	0.69	0.69	0.69	0.69
			10 ⁻³ in.lb.s ²	0.89	0.67	0.78	0.75	0.67	0.66	0.62	0.61	0.62	0.61	0.61	0.61	0.61	0.61
Clamping hub diameter [mm]	G 24	J_1	kgcm ²	2.57	2.32	2.44	2.42	2.32	2.31	2.26	2.25	2.26	2.25	2.25	2.25	2.25	2.25
			10 ⁻³ in.lb.s ²	2.27	2.05	2.16	2.14	2.05	2.04	2	1.99	2	1.99	1.99	1.99	1.99	1.99

Please use our sizing software cymex[®] for a detailed sizing – www.wittenstein-cymex.com
Please contact us for optimum sizing at S1 conditions (Continuous operation).

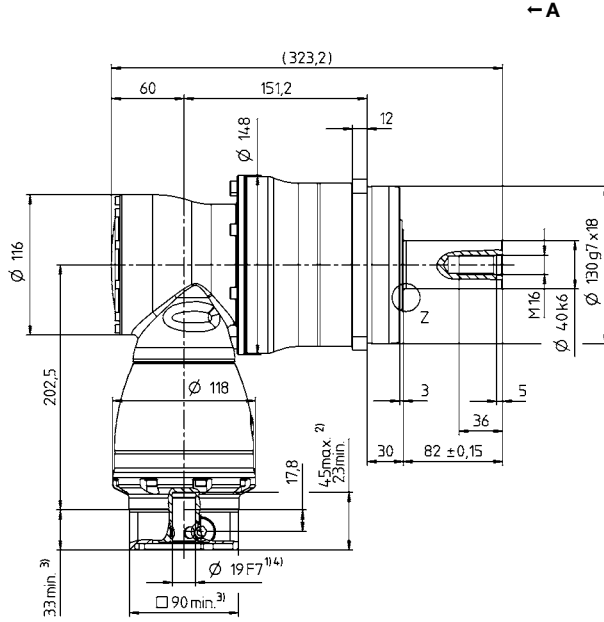
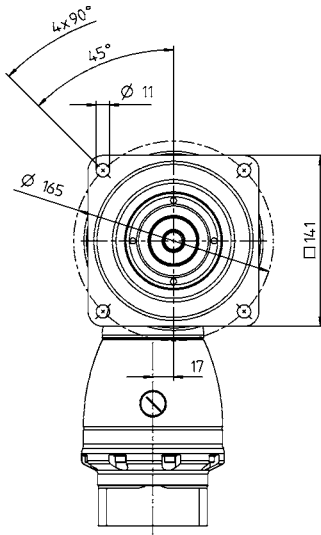
- ^{a)} At max. 10 % F_{2QMax}
- ^{b)} Valid for standard clamping hub diameter
- ^{c)} Refers to center of the output shaft or flange
- ^{d)} Please reduce input speed at higher ambient temperatures
- ^{e)} Smooth shaft

View A

Motor shaft diameter [mm]

3-stage

up to 19/24⁴⁾
(E⁵⁾/G) clamping
hub diameter

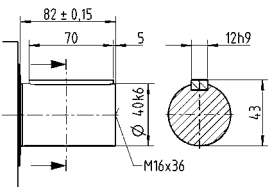


Hypoid gearboxes

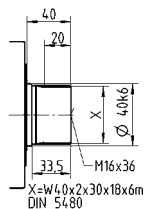
SPK

Other output variants

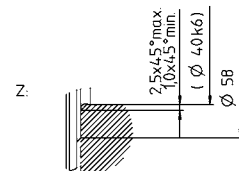
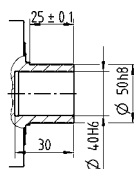
Shaft with key



Splined shaft (DIN 5480)



Shaft mounted



See technical data sheet for available clamping hub diameters (mass moment of inertia). Dimensions available on request.

Non-tolerated dimensions are nominal dimensions
1) Check motor shaft fit

2) Min./Max. permissible motor shaft length. Longer motor shafts are possible, please contact alpha.

3) The dimensions depend on the motor

4) Smaller motor shaft diameter is compensated by a bushing with a minimum thickness of 1 mm

5) Standard clamping hub diameter

SPK+ 180 MF 2-stage

			2-stage											
Ratio	<i>i</i>		12	16	20	25	28	35	40	50	70	100		
Max. torque ^{a) b) e)}	T_{2a}	Nm	1440	1440	1800	1800	1936	1936	840	1050	1470	1552		
		in.lb	12745	12745	15931	15931	17135	17135	7435	9293	13011	13736		
Max. acceleration torque ^{b) e)} (max. 1000 cycles per hour)	T_{2B}	Nm	1200	1200	1452	1452	1452	1452	840	1050	1452	1164		
		in.lb	10621	10621	12851	12851	12851	12851	7435	9293	12851	10302		
Nominal torque (at n_n)	T_{2N}	Nm	750	750	750	750	750	750	640	750	750	750		
		in.lb	6638	6638	6638	6638	6638	6638	5665	6638	6638	6638		
Emergency stop torque ^{a) b) e)} (permitted 1000 times during the service life of the gearbox)	T_{2Not}	Nm	1600	2000	2500	2500	2750	2750	1600	2000	2750	2750		
		in.lb	14161	17702	22127	22127	24340	24340	14161	17702	24340	24340		
Permitted average input speed (at T_{2a} and 20 °C ambient temperature) ^{d)}	n_{1N}	n_{1T}	1600	1900	1900	2100	1900	2100	2100	2100	2100	2100		
Max. input speed	n_{1Max}	rpm	5000	5000	5000	5000	5000	5000	5000	5000	5000	5000		
Mean no load running torque ^{b)} (at $n_1 = 3000$ rpm and 20 °C gearbox temperature)	T_{012}	Nm	11	9.2	9.2	7	8.5	10	7.5	7.5	7	7		
		in.lb	97	81	81	62	75	89	66	66	62	62		
Max. backlash	j_t	arcmin	Standard ≤ 4 / Reduced ≤ 2											
Torsional rigidity ^{b)}	C_{t21}	Nm/arcmin	175	175	175	175	175	175	175	175	175	175		
		in.lb/arcmin	1549	1549	1549	1549	1549	1549	1549	1549	1549	1549		
Max. axial force ^{c)}	F_{2AMax}	N	15570											
		lb _f	3503											
Max. lateral force ^{c)}	F_{2QMax}	N	15400											
		lb _f	3465											
Max. tilting moment	M_{2KMax}	Nm	1600											
		in.lb	14161											
Efficiency at full load	η	%	94											
Service life	L_h	h	> 20000											
Weight (incl. standard adapter plate)	<i>m</i>	kg	45											
		lb _m	99											
Operating noise (at reference ratio and reference speed – ratio-specific values available in cymex [®])	L_{PA}	dB(A)	≤ 70											
Max. permitted housing temperature		°C	+90											
		F	194											
Ambient temperature		°C	0 to +40											
		F	32 to 104											
Lubrication			Lubricated for life											
Direction of rotation			In- and output opposite direction											
Protection class			IP 65											
Metal bellows coupling (recommended product type – validate sizing with cymex [®])			BC2 - 01500AA - 055.000 - X											
Bore diameter of coupling on the application side		mm	X = 050.000 - 080.000											
Mass moment of inertia (relates to the drive) Clamping hub diameter [mm]	K	38	J_1	kgcm ²	24.7	19.5	19	16.3	18.6	14	12.9	12.8	12.7	12.7
				10 ⁻³ in.lb.s ²	21.86	17.26	16.82	14.43	16.46	12.39	11.42	11.33	11.24	11.24

Please use our sizing software cymex[®] for a detailed sizing – www.wittenstein-cymex.com
Please contact us for optimum sizing at S1 conditions (Continuous operation).

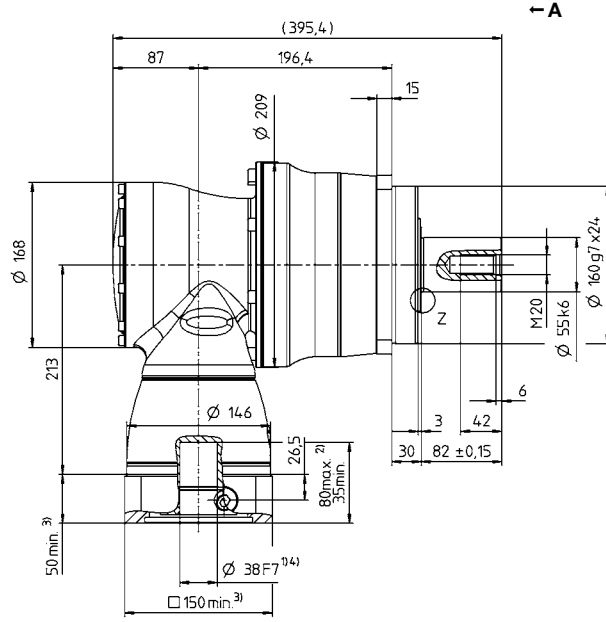
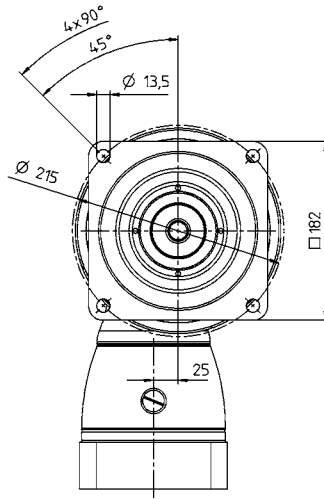
- ^{a)} At max. 10 % F_{2QMax}
- ^{b)} Valid for standard clamping hub diameter
- ^{c)} Refers to center of the output shaft or flange
- ^{d)} Please reduce input speed at higher ambient temperatures
- ^{e)} Smooth shaft

View A

Motor shaft diameter [mm]

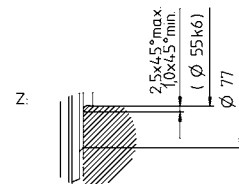
2-stage

up to 38⁴⁾ (K)⁵⁾
clamping hub diameter



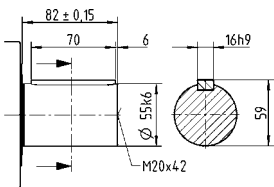
Hypoid gearboxes

SPK

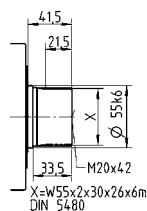


Other output variants

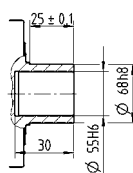
Shaft with key



Spined shaft (DIN 5480)



Shaft mounted



See technical data sheet for available clamping hub diameters (mass moment of inertia). Dimensions available on request.

Non-tolerated dimensions are nominal dimensions
1) Check motor shaft fit

2) Min./Max. permissible motor shaft length. Longer motor shafts are possible, please contact alpha.

3) The dimensions depend on the motor

4) Smaller motor shaft diameter is compensated by a bushing with a minimum thickness of 1 mm

5) Standard clamping hub diameter

SPK+ 180 MF 3-stage

				3-stage														
Ratio	<i>i</i>			64	84	100	125	140	175	200	250	280	350	400	500	700	1000	
Max. torque ^{a) b) e)}	T_{2a}	<i>Nm</i>		1440	1440	1800	1800	1800	1800	1800	1800	1936	1936	840	1050	1470	1552	
		<i>in.lb</i>		12745	12745	15931	15931	15931	15931	15931	15931	15931	17135	17135	7435	9293	13011	13736
Max. acceleration torque ^{b) e)} (max. 1000 cycles per hour)	T_{2B}	<i>Nm</i>		1200	1200	1452	1452	1452	1452	1452	1452	1452	1452	840	1050	1452	1164	
		<i>in.lb</i>		10621	10621	12851	12851	12851	12851	12851	12851	12851	12851	12851	7435	9293	12851	10302
Nominal torque (at n_N)	T_{2N}	<i>Nm</i>		750	750	750	750	750	750	750	750	750	750	640	750	750	750	
		<i>in.lb</i>		6638	6638	6638	6638	6638	6638	6638	6638	6638	6638	6638	5665	6638	6638	6638
Emergency stop torque ^{a) b) e)} (permitted 1000 times during the service life of the gearbox)	T_{2Not}	<i>Nm</i>		2000	1600	2500	2500	2500	2500	2500	2500	2500	2750	2750	1600	2000	2750	2750
		<i>in.lb</i>		17702	14161	22127	22127	22127	22127	22127	22127	22127	22127	24340	24340	14161	17702	24340
Permitted average input speed (at T_{2a} and 20 °C ambient temperature) ^{d)}	n_{1N}	n_{1T}		2900	2900	2900	2900	2900	2900	2900	3200	2900	3200	3900	3900	3900	3900	
Max. input speed	n_{1Max}	<i>rpm</i>		4500	4500	4500	4500	4500	4500	4500	4500	4500	4500	4500	4500	4500	4500	
Mean no load running torque ^{b)} (at $n_1 = 3000$ rpm and 20 °C gearbox temperature)	T_{012}	<i>Nm</i>		2	1	1.6	1.2	1.2	1	1	0.8	1	0.8	0.8	0.8	0.8	0.8	
		<i>in.lb</i>		18	8.9	14	11	11	8.9	8.9	7.1	8.9	7.1	7.1	7.1	7.1	7.1	7.1
Max. backlash	j_t	<i>arcmin</i>		Standard ≤ 4 / Reduced ≤ 2														
Torsional rigidity ^{b)}	C_{t21}	<i>Nm/arcmin</i>		175	175	175	175	175	175	175	175	175	175	175	175	175	175	
		<i>in.lb/arcmin</i>		1549	1549	1549	1549	1549	1549	1549	1549	1549	1549	1549	1549	1549	1549	1549
Max. axial force ^{c)}	F_{2AMax}	<i>N</i>		15570														
		<i>lb_f</i>		3503														
Max. lateral force ^{c)}	F_{2QMax}	<i>N</i>		15400														
		<i>lb_f</i>		3465														
Max. tilting moment	M_{2KMax}	<i>Nm</i>		1600														
		<i>in.lb</i>		14161														
Efficiency at full load	η	%		92														
Service life	L_h	<i>h</i>		> 20000														
Weight (incl. standard adapter plate)	<i>m</i>	<i>kg</i>		47.4														
		<i>lb_m</i>		105														
Operating noise (at reference ratio and reference speed – ratio-specific values available in cymex [®])	L_{PA}	<i>dB(A)</i>		≤ 70														
Max. permitted housing temperature		°C		+90														
		<i>F</i>		194														
Ambient temperature		°C		0 to +40														
		<i>F</i>		32 to 104														
Lubrication				Lubricated for life														
Direction of rotation				In- and output opposite direction														
Protection class				IP 65														
Metal bellows coupling (recommended product type – validate sizing with cymex [®])				BC2 - 01500AA - 055.000 - X														
Bore diameter of coupling on the application side		<i>mm</i>		X = 050.000 - 080.000														
Mass moment of inertia (relates to the drive)	G 24	J_1	<i>kgcm²</i>	3.97	2.82	3.36	3.22	2.82	2.75	2.5	2.47	2.5	2.44	2.42	2.42	2.42	2.42	
			<i>10⁻³ in.lb.s²</i>	3.51	2.5	2.97	2.85	2.5	2.43	2.21	2.19	2.21	2.16	2.14	2.14	2.14	2.14	
Clamping hub diameter [mm]	K 38	J_1	<i>kgcm²</i>	10.9	9.74	10.3	10.1	9.74	9.66	9.41	9.38	9.41	9.38	9.33	9.33	9.33	9.33	
			<i>10⁻³ in.lb.s²</i>	9.65	8.62	9.12	8.94	8.62	8.55	8.33	8.3	8.33	8.3	8.26	8.26	8.26	8.26	

Please use our sizing software cymex[®] for a detailed sizing – www.wittenstein-cymex.com
Please contact us for optimum sizing at S1 conditions (Continuous operation).

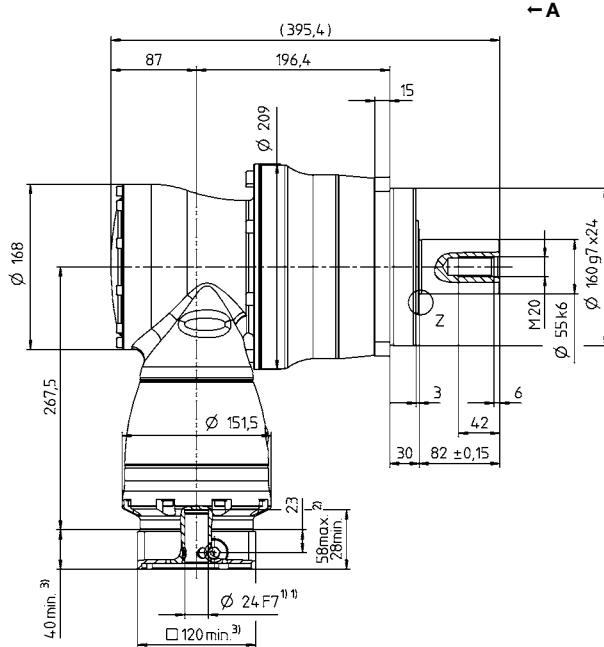
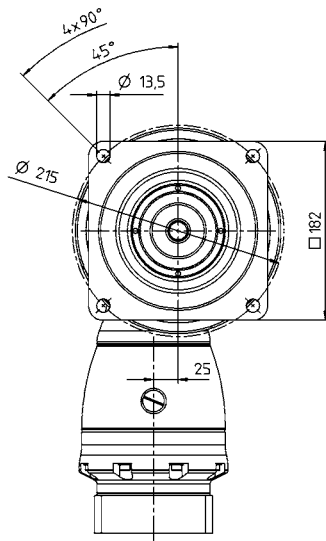
- ^{a)} At max. 10 % F_{2QMax}
- ^{b)} Valid for standard clamping hub diameter
- ^{c)} Refers to center of the output shaft or flange
- ^{d)} Please reduce input speed at higher ambient temperatures
- ^{e)} Smooth shaft

View A

Motor shaft diameter [mm]

3-stage

up to 24 / 38⁴⁾
(G⁵⁾ / K) clamping
hub diameter

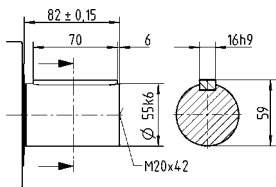


Hypoid gearboxes

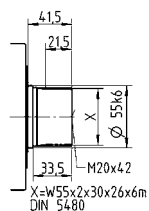
SPK

Other output variants

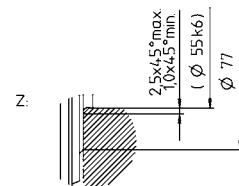
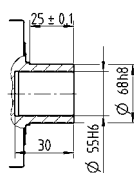
Shaft with key



Spined shaft (DIN 5480)



Shaft mounted



See technical data sheet for available clamping hub diameters (mass moment of inertia). Dimensions available on request.

Non-tolerated dimensions are nominal dimensions
1) Check motor shaft fit

2) Min./Max. permissible motor shaft length. Longer motor shafts are possible, please contact alpha.

3) The dimensions depend on the motor

4) Smaller motor shaft diameter is compensated by a bushing with a minimum thickness of 1 mm

5) Standard clamping hub diameter

SPK+ 210 MF 2-stage

			2-stage											
Ratio	<i>i</i>		12	16	20	25	28	35	40	50	70	100		
Max. torque ^{a) b) e)}	T_{2a}	Nm	3072	3072	3840	3840	3840	3840	1880	2350	3290	2800		
		in.lb	27190	27190	33987	33987	33987	33987	16640	20799	29119	24782		
Max. acceleration torque ^{b) e)} (max. 1000 cycles per hour)	T_{2B}	Nm	2560	2560	3000	3000	2880	2880	1880	2350	2880	2280		
		in.lb	22658	22658	26552	26552	25490	25490	16640	20799	25490	20180		
Nominal torque (at n_n)	T_{2N}	Nm	1500	1500	1500	1500	1400	1500	1400	1500	1400	1000		
		in.lb	13276	13276	13276	13276	12391	13276	12391	13276	12391	8851		
Emergency stop torque ^{a) b) e)} (permitted 1000 times during the service life of the gearbox)	T_{2Not}	Nm	3600	4200	5250	5250	5900	5900	3600	4500	5900	5900		
		in.lb	31863	37173	46467	46467	52220	52220	31863	39829	52220	52220		
Permitted average input speed (at T_{2a} and 20 °C ambient temperature) ^{d)}	n_{1N}	n_{1T}	1500	1700	1700	1900	1700	1900	1700	1700	1700	1700		
Max. input speed	n_{1Max}	rpm	4500	4500	4500	4500	4500	4500	4500	4500	4500	4500		
Mean no load running torque ^{b)} (at $n_1 = 3000$ rpm and 20 °C gearbox temperature)	T_{012}	Nm	21	19	17	16	15	15	16	16	15	14		
		in.lb	186	168	150	142	133	133	142	142	133	124		
Max. backlash	j_t	arcmin	Standard ≤ 4 / Reduced ≤ 2											
Torsional rigidity ^{b)}	C_{t21}	Nm/arcmin	300	300	300	300	300	300	300	300	300	300		
		in.lb/arcmin	2655	2655	2655	2655	2655	2655	2655	2655	2655	2655		
Max. axial force ^{c)}	F_{2AMax}	N	30000											
		lb _f	6750											
Max. lateral force ^{c)}	F_{2QMax}	N	21000											
		lb _f	4725											
Max. tilting moment	M_{2KMax}	Nm	3100											
		in.lb	27437											
Efficiency at full load	η	%	94											
Service life	L_h	h	> 20000											
Weight (incl. standard adapter plate)	m	kg	82											
		lb _m	181											
Operating noise (at reference ratio and reference speed – ratio-specific values available in cymex [®])	L_{PA}	dB(A)	≤ 71											
Max. permitted housing temperature		°C	+90											
		F	194											
Ambient temperature		°C	0 to +40											
		F	32 to 104											
Lubrication			Lubricated for life											
Direction of rotation			In- and output opposite direction											
Protection class			IP 65											
Metal bellows coupling (recommended product type – validate sizing with cymex [®])			BC2 - 04000AA - 075.000 - X											
		Bore diameter of coupling on the application side	mm	X = 050.000 - 090.000										
Mass moment of inertia (relates to the drive) Clamping hub diameter [mm]	M	48	J_1	kgcm ²	78.8	54.6	53	43.4	51.5	42.2	30.2	30	29.8	29.8
				10 ⁻³ in.lb.s ²	69.74	48.32	46.91	38.41	45.58	37.35	26.73	26.55	26.37	26.37

Please use our sizing software cymex[®] for a detailed sizing – www.wittenstein-cymex.com
Please contact us for optimum sizing at S1 conditions (Continuous operation).

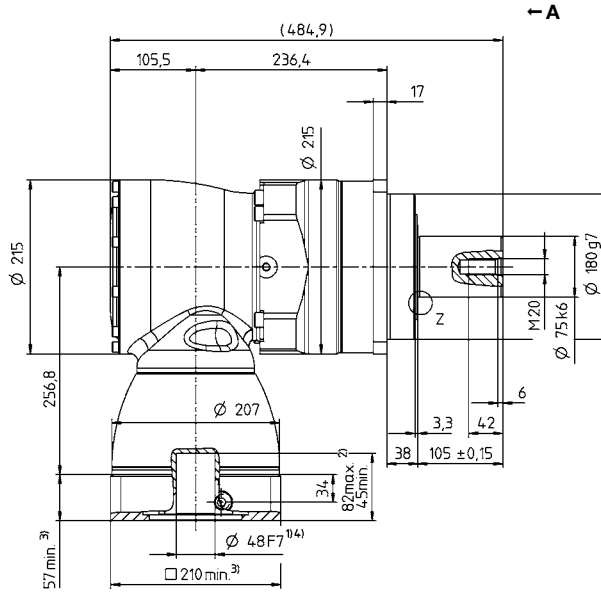
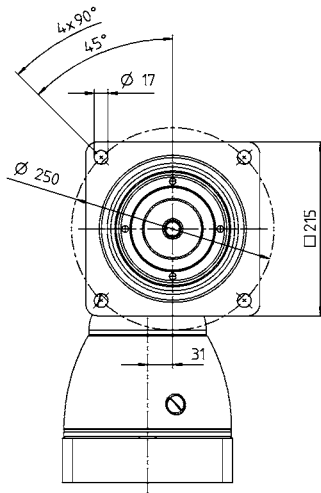
- ^{a)} At max. 10 % F_{2QMax}
- ^{b)} Valid for standard clamping hub diameter
- ^{c)} Refers to center of the output shaft or flange
- ^{d)} Please reduce input speed at higher ambient temperatures
- ^{e)} Smooth shaft

View A

Motor shaft diameter [mm]

2-stage

up to 48⁴⁾ (M)⁵⁾
clamping hub diameter

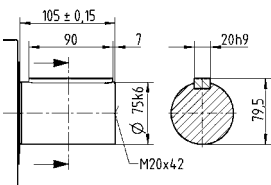


Hypoid gearboxes

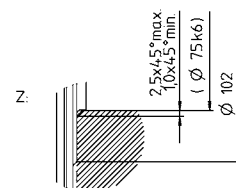
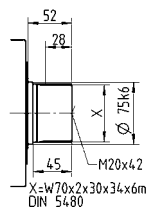
SPK

Other output variants

Shaft with key



Splined shaft (DIN 5480)



See technical data sheet for available clamping hub diameters (mass moment of inertia). Dimensions available on request.

Non-tolerated dimensions are nominal dimensions
¹⁾ Check motor shaft fit

²⁾ Min./Max. permissible motor shaft length. Longer motor shafts are possible, please contact alpha.

³⁾ The dimensions depend on the motor

⁴⁾ Smaller motor shaft diameter is compensated by a bushing with a minimum thickness of 1 mm

⁵⁾ Standard clamping hub diameter

SPK+ 210 MF 3-stage

			3-stage														
Ratio	<i>i</i>		64	84	100	125	140	175	200	250	280	350	400	500	700	1000	
Max. torque ^{a) b) e)}	T_{2a}	Nm	3072	3072	3840	3840	3840	3840	3840	3840	3840	3840	1880	2350	3290	2800	
		in.lb	27190	27190	33987	33987	33987	33987	33987	33987	33987	33987	33987	16640	20799	29119	24782
Max. acceleration torque ^{b) e)} (max. 1000 cycles per hour)	T_{2B}	Nm	2560	2560	3000	3000	3000	3000	3000	3000	2880	2880	1880	2350	2880	2280	
		in.lb	22658	22658	26552	26552	26552	26552	26552	26552	25490	25490	16640	20799	25490	20180	
Nominal torque (at n_n)	T_{2N}	Nm	1500	1500	1500	1500	1500	1500	1500	1500	1400	1400	1500	1500	1400	1000	
		in.lb	13276	13276	13276	13276	13276	13276	13276	13276	12391	12391	13276	13276	12391	8851	
Emergency stop torque ^{a) b) e)} (permitted 1000 times during the service life of the gearbox)	T_{2Not}	Nm	4200	3600	5250	5250	5250	5250	5250	5250	5900	5900	3600	4500	5900	5900	
		in.lb	37173	31863	46467	46467	46467	46467	46467	46467	52220	52220	31863	39829	52220	52220	
Permitted average input speed (at T_{2a} and 20 °C ambient temperature) ^{d)}	n_{1N}	n_{1T}	2700	2700	2700	2700	2700	2700	2700	2900	2700	2900	3400	3400	3400	3400	
Max. input speed	n_{1Max}	rpm	4000	4000	4000	4000	4000	4000	4000	4000	4000	4000	4000	4000	4000	4000	
Mean no load running torque ^{b)} (at $n_1 = 3000$ rpm and 20 °C gearbox temperature)	T_{012}	Nm	4.8	2.4	3.8	3.4	2.6	2.6	2	2	2	2	2	2	2	2	
		in.lb	42	21	34	30	23	23	18	18	18	18	18	18	18	18	
Max. backlash	j_t	arcmin	Standard ≤ 4 / Reduced ≤ 2														
Torsional rigidity ^{b)}	C_{t21}	Nm/arcmin	300	300	300	300	300	300	300	300	300	300	300	300	300	300	
		in.lb/arcmin	2655	2655	2655	2655	2655	2655	2655	2655	2655	2655	2655	2655	2655	2655	
Max. axial force ^{c)}	F_{2AMax}	N	30000														
		lb _f	6750														
Max. lateral force ^{c)}	F_{2QMax}	N	21000														
		lb _f	4725														
Max. tilting moment	M_{2KMax}	Nm	3100														
		in.lb	27437														
Efficiency at full load	η	%	92														
Service life	L_h	h	> 20000														
Weight (incl. standard adapter plate)	m	kg	86														
		lb _m	190														
Operating noise (at reference ratio and reference speed – ratio-specific values available in cymex [®])	L_{PA}	dB(A)	≤ 71														
Max. permitted housing temperature		°C	+90														
		F	194														
Ambient temperature		°C	0 to +40														
		F	32 to 104														
Lubrication			Lubricated for life														
Direction of rotation			In- and output opposite direction														
Protection class			IP 65														
Metal bellows coupling (recommended product type – validate sizing with cymex [®])			BC2 - 04000AA - 075.000 - X														
Bore diameter of coupling on the application side		mm	X = 050.000 - 090.000														
Mass moment of inertia (relates to the drive)	K	38	J_1	kgcm ²	14	10.9	12.3	12	10.9	10.7	10.1	10	10.1	10	9.9	9.9	9.9
				10 ⁻³ in.lb.s ²	12.39	9.65	10.89	10.62	9.65	9.47	8.94	8.85	8.94	8.85	8.76	8.76	8.76
Clamping hub diameter [mm]	M	48	J_1	kgcm ²	28.7	25.6	27.1	26.7	26.7	25.6	24.8	24.7	24.8	24.7	24.6	24.6	24.6
				10 ⁻³ in.lb.s ²	25.4	22.66	23.98	23.63	23.63	22.66	21.95	21.86	21.95	21.86	21.77	21.77	21.77

Please use our sizing software cymex[®] for a detailed sizing – www.wittenstein-cymex.com
Please contact us for optimum sizing at S1 conditions (Continuous operation).

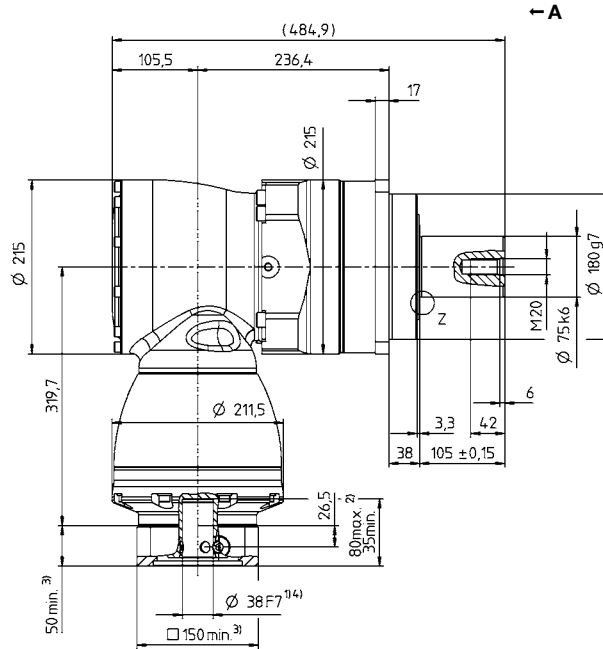
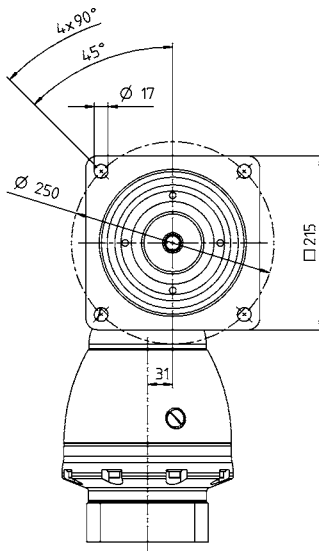
- ^{a)} At max. 10 % F_{2QMax}
- ^{b)} Valid for standard clamping hub diameter
- ^{c)} Refers to center of the output shaft or flange
- ^{d)} Please reduce input speed at higher ambient temperatures
- ^{e)} Smooth shaft

View A

Motor shaft diameter [mm]

3-stage

up to 38 / 48⁴⁾
(K⁵⁾ / M) clamping
hub diameter

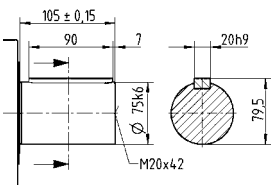


Hypoid gearboxes

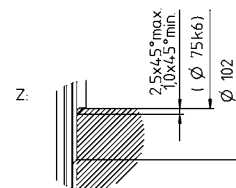
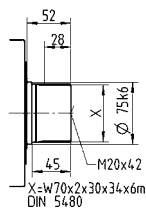
SPK

Other output variants

Shaft with key



Spined shaft (DIN 5480)



See technical data sheet for available clamping hub diameters (mass moment of inertia). Dimensions available on request.

Non-tolerated dimensions are nominal dimensions
1) Check motor shaft fit

2) Min./Max. permissible motor shaft length. Longer motor shafts are possible, please contact alpha.

3) The dimensions depend on the motor

4) Smaller motor shaft diameter is compensated by a bushing with a minimum thickness of 1 mm

5) Standard clamping hub diameter

SPK+ 240 MF 3-stage

			3-stage													
Ratio	<i>i</i>		48	64	100	125	140	175	200	250	280	350	400	500	700	1000
Max. torque ^{a) b) e)}	T_{2a}	Nm	5446	5446	5446	5700	5000	5700	4200	5250	5446	5700	5446	5700	5700	3642
		in.lb	48201	48201	48201	50450	44254	50450	37173	46467	48201	50450	48201	50450	50450	32235
Max. acceleration torque ^{b) e)} (max. 1000 cycles per hour)	T_{2B}	Nm	4800	4800	5400	5400	5000	5400	4200	5250	5400	5400	4400	5160	4730	3642
		in.lb	42484	42484	47794	47794	44254	47794	37173	46467	47794	47794	38944	45670	41864	32235
Nominal torque (at n_n)	T_{2N}	Nm	2500	2500	2500	2500	2500	2500	2500	2500	2500	2500	2500	2500	2300	1700
		in.lb	22127	22127	22127	22127	22127	22127	22127	22127	22127	22127	22127	22127	20357	15046
Emergency stop torque ^{a) b) e)} (permitted 1000 times during the service life of the gearbox)	T_{2Not}	Nm	6400	8000	8500	8500	8500	8500	8000	8500	8500	8500	8500	8500	8500	6850
		in.lb	56645	70806	75232	75232	75232	75232	70806	75232	75232	75232	75232	75232	75232	60628
Permitted average input speed (at T_{2a} and 20 °C ambient temperature) ^{d)}	n_{1N}	n_{1T}	1800	1900	1900	2100	1900	2100	2100	2100	2100	2100	2100	2100	2100	2100
Max. input speed	n_{1Max}	rpm	5000	5000	5000	5000	5000	5000	5000	5000	5000	5000	5000	5000	5000	5000
Mean no load running torque ^{b)} (at $n_i = 3000$ rpm and 20 °C gearbox temperature)	T_{012}	Nm	13	9.6	8.4	8.4	9.6	9.6	8.4	7.2	7.2	7.2	6.9	6.9	6.9	6.9
		in.lb	115	85	74	74	85	85	74	64	64	64	61	61	61	61
Max. backlash	j_t	arcmin	Standard ≤ 5.5 / Reduced ≤ 3.5													
Torsional rigidity ^{b)}	C_{t21}	Nm/arcmin	510	510	510	510	510	510	510	510	510	510	510	510	510	510
		in.lb/arcmin	4514	4514	4514	4514	4514	4514	4514	4514	4514	4514	4514	4514	4514	4514
Max. axial force ^{c)}	F_{2AMax}	N	33000													
		lb _f	7425													
Max. lateral force ^{c)}	F_{2QMax}	N	30000													
		lb _f	6750													
Max. tilting moment	M_{2KMax}	Nm	5000													
		in.lb	44254													
Efficiency at full load	η	%	92													
Service life	L_h	h	> 20000													
Weight (incl. standard adapter plate)	m	kg	93													
		lb _m	206													
Operating noise (at reference ratio and reference speed – ratio-specific values available in cymex [®])	L_{PA}	dB(A)	≤ 71													
		°C	+90													
Max. permitted housing temperature		F	194													
		°C	0 to +40													
Ambient temperature		F	32 to 104													
Lubrication			Lubricated for life													
Direction of rotation			In- and output opposite direction													
Protection class			IP 65													
Metal bellows coupling (recommended product type – validate sizing with cymex [®])			BC2 - 06000AA - 085.000 - X													
Bore diameter of coupling on the application side		mm	X = 060.000 - 140.000													
Mass moment of inertia (relates to the drive) Clamping hub diameter [mm]	K	38	J_1	kgcm ²	26.5	20	17	17	15	15	13	13	13	13	13	13
				10 ⁻³ in.lb.s ²	23.45	17.7	15.05	15.05	13.28	13.28	11.51	11.51	11.51	11.51	11.51	11.51

Please use our sizing software cymex[®] for a detailed sizing – www.wittenstein-cymex.com
Please contact us for optimum sizing at S1 conditions (Continuous operation).

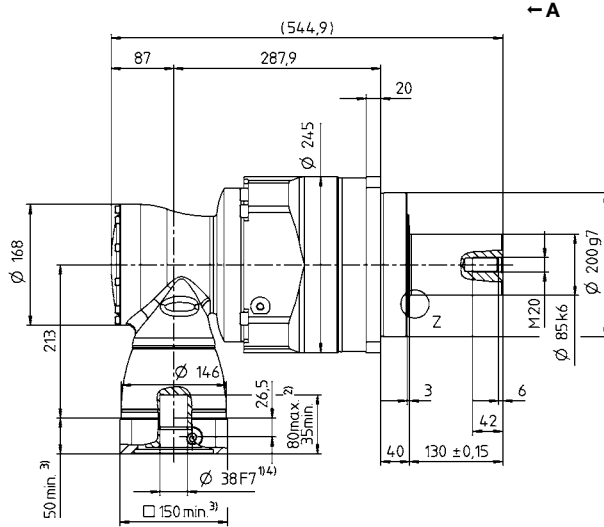
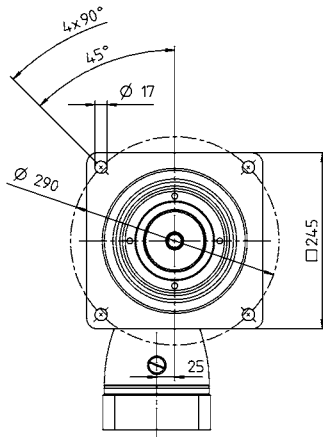
- ^{a)} At max. 10 % F_{2QMax}
- ^{b)} Valid for standard clamping hub diameter
- ^{c)} Refers to center of the output shaft or flange
- ^{d)} Please reduce input speed at higher ambient temperatures
- ^{e)} Smooth shaft

View A

Motor shaft diameter [mm]

3-stage

up to 38⁴⁾ (K)⁵⁾
clamping hub diameter

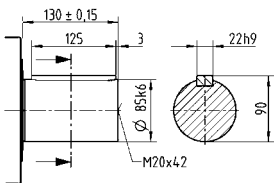


Hybrid gearboxes

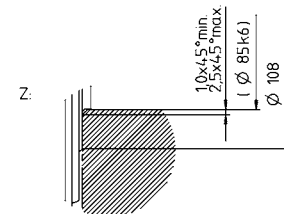
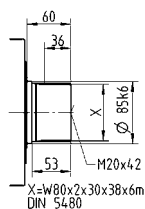
SPK

Other output variants

Shaft with key



Splined shaft (DIN 5480)



See technical data sheet for available clamping hub diameters (mass moment of inertia). Dimensions available on request.

- Non-tolerated dimensions are nominal dimensions
- ¹⁾ Check motor shaft fit
- ²⁾ Min./Max. permissible motor shaft length. Longer motor shafts are possible, please contact alpha.
- ³⁾ The dimensions depend on the motor
- ⁴⁾ Smaller motor shaft diameter is compensated by a bushing with a minimum thickness of 1 mm
- ⁵⁾ Standard clamping hub diameter

SPK+ 240 MF 4-stage i=144-1000

			4-stage														
Ratio	<i>i</i>		144	192	256	300	375	420	500	560	600	700	800	875	1000		
Max. torque ^{a) b) e)}	T_{2a}	Nm	5446	5446	5446	5446	5700	5446	5446	5446	5446	5446	5446	5700	5446		
		in.lb	48201	48201	48201	48201	50450	48201	48201	48201	48201	48201	48201	48201	50450	48201	
Max. acceleration torque ^{b) e)} (max. 1000 cycles per hour)	T_{2B}	Nm	4800	4800	4800	5400	5400	5400	5400	5400	5400	5400	5400	5400	5400		
		in.lb	42484	42484	42484	47794	47794	47794	47794	47794	47794	47794	47794	47794	47794		
Nominal torque (at n_n)	T_{2N}	Nm	2500	2500	2500	2500	2500	2500	2500	2500	2500	2500	2500	2500	2500		
		in.lb	22127	22127	22127	22127	22127	22127	22127	22127	22127	22127	22127	22127	22127		
Emergency stop torque ^{a) b) e)} (permitted 1000 times during the service life of the gearbox)	T_{2Not}	Nm	6400	6400	8000	8000	8500	8000	8500	8500	8000	8500	8500	8500	8500		
		in.lb	56645	56645	70806	70806	75232	70806	75232	75232	70806	75232	75232	75232	75232		
Permitted average input speed (at T_{2a} and 20 °C ambient temperature) ^{d)}	n_{1N}	n_{1T}	2700	2900	2900	2900	2900	2900	2900	2900	2900	2900	2900	2900	3200		
Max. input speed	n_{1Max}	rpm	4500	4500	4500	4500	4500	4500	4500	4500	4500	4500	4500	4500	4500		
Mean no load running torque ^{b)} (at $n_i = 3000$ rpm and 20 °C gearbox temperature)	T_{012}	Nm	4.8	3.5	2.4	2	1.1	1.4	1.4	1.2	1.1	1.1	0.9	0.9	0.75		
		in.lb	42	31	21	18	9.7	12	12	11	9.7	9.7	8.0	8.0	6.6		
Max. backlash	j_t	arcmin	Standard ≤ 5.5 / Reduced ≤ 3.5														
Torsional rigidity ^{b)}	C_{t21}	Nm/arcmin	510	510	510	510	510	510	510	510	510	510	510	510	510		
		in.lb/arcmin	4514	4514	4514	4514	4514	4514	4514	4514	4514	4514	4514	4514	4514		
Max. axial force ^{c)}	F_{2AMax}	N	33000														
		lb _f	7425														
Max. lateral force ^{c)}	F_{2QMax}	N	30000														
		lb _f	6750														
Max. tilting moment	M_{2KMax}	Nm	5000														
		in.lb	44254														
Efficiency at full load	η	%	90														
Service life	L_h	h	> 20000														
Weight (incl. standard adapter plate)	m	kg	96														
		lb _m	212														
Operating noise (at reference ratio and reference speed – ratio-specific values available in cymex [®])	L_{PA}	dB(A)	≤ 71														
Max. permitted housing temperature		°C	+90														
		F	194														
Ambient temperature		°C	0 to +40														
		F	32 to 104														
Lubrication			Lubricated for life														
Direction of rotation			In- and output opposite direction														
Protection class			IP 65														
Metal bellows coupling (recommended product type – validate sizing with cymex [®])			BC2 - 06000AA - 085.000 - X														
Bore diameter of coupling on the application side		mm	X = 060.000 - 140.000														
Mass moment of inertia (relates to the drive)	G	24	J_1	kgcm ²	5.96	4.3	3.9	3.32	3.31	2.8	3.18	2.8	2.49	2.73	2.49	2.73	2.46
				10 ⁻³ in.lb.s ²	5.27	3.81	3.45	2.94	2.93	2.48	2.81	2.48	2.2	2.42	2.2	2.42	2.18
Clamping hub diameter [mm]	K	38	J_1	kgcm ²	12.87	11.19	10.81	10.23	10.22	9.72	10.09	9.71	9.4	9.65	9.4	9.65	9.37
				10 ⁻³ in.lb.s ²	11.39	9.9	9.57	9.05	9.04	8.6	8.93	8.59	8.32	8.54	8.32	8.54	8.29

Please use our sizing software cymex[®] for a detailed sizing – www.wittenstein-cymex.com
Please contact us for optimum sizing at S1 conditions (Continuous operation).

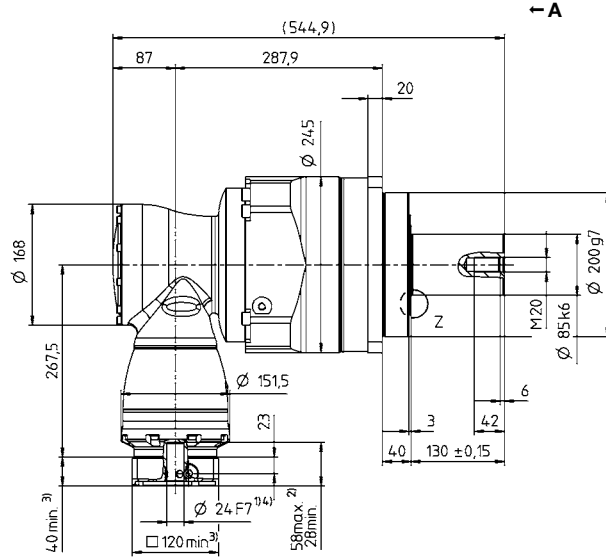
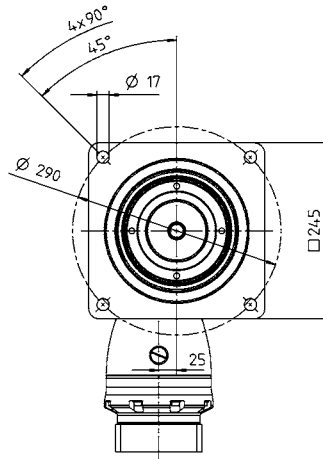
- ^{a)} At max. 10 % F_{2QMax}
- ^{b)} Valid for standard clamping hub diameter
- ^{c)} Refers to center of the output shaft or flange
- ^{d)} Please reduce input speed at higher ambient temperatures
- ^{e)} Smooth shaft

View A

Motor shaft diameter [mm]

4-stage

up to 24 / 38⁴⁾
(G⁵⁾ / K) clamping
hub diameter

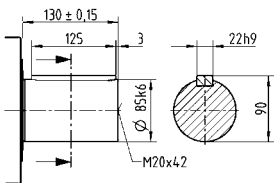


Hypoid gearboxes

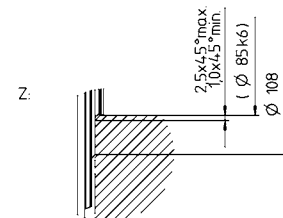
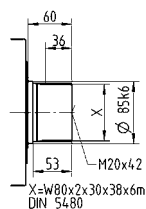
SPK

Other output variants

Shaft with key



Splined shaft (DIN 5480)



See technical data sheet for available clamping hub diameters (mass moment of inertia). Dimensions available on request.

- Non-tolerated dimensions are nominal dimensions
- ¹⁾ Check motor shaft fit
- ²⁾ Min./Max. permissible motor shaft length. Longer motor shafts are possible, please contact alpha.
- ³⁾ The dimensions depend on the motor
- ⁴⁾ Smaller motor shaft diameter is compensated by a bushing with a minimum thickness of 1 mm
- ⁵⁾ Standard clamping hub diameter

SPK+ 240 MF 4-stage i=1225-10000

			4-stage									
Ratio	<i>i</i>		1225	1400	1750	2000	2800	3500	5000	7000	10000	
Max. torque ^{a) b) e)}	T_{2a}	Nm	5700	5700	5700	4200	5446	5700	5700	5700	3642	
		in.lb	50450	50450	50450	37173	48201	50450	50450	50450	32235	
Max. acceleration torque ^{b) e)} (max. 1000 cycles per hour)	T_{2B}	Nm	5400	5400	5400	4200	5400	5400	5160	4730	3642	
		in.lb	47794	47794	47794	37173	47794	47794	45670	41864	32235	
Nominal torque (at n_n)	T_{2N}	Nm	2500	2500	2500	2500	2500	2500	2500	2300	1700	
		in.lb	22127	22127	22127	22127	22127	22127	22127	20357	15046	
Emergency stop torque ^{a) b) e)} (permitted 1000 times during the service life of the gearbox)	T_{2Not}	Nm	8500	8500	8500	8000	8500	8500	8500	8500	6850	
		in.lb	75232	75232	75232	70806	75232	75232	75232	75232	60628	
Permitted average input speed (at T_{2a} and 20 °C ambient temperature) ^{d)}	n_{1N}	n_{1T}	2900	2900	3200	3900	3900	3900	3900	3900	3900	
Max. input speed	n_{1Max}	rpm	4500	4500	4500	4500	4500	4500	4500	4500	4500	
Mean no load running torque ^{b)} (at $n_1 = 3000$ rpm and 20 °C gearbox temperature)	T_{012}	Nm	0.9	0.9	0.6	0.6	0.6	0.6	0.6	0.45	0.45	
		in.lb	8.0	8.0	5.3	5.3	5.3	5.3	5.3	4.0	4.0	
Max. backlash	j_t	arcmin	Standard ≤ 5.5 / Reduced ≤ 3.5									
Torsional rigidity ^{b)}	C_{t21}	Nm/arcmin	510	510	510	510	510	510	510	510	510	
		in.lb/arcmin	4514	4514	4514	4514	4514	4514	4514	4514	4514	
Max. axial force ^{c)}	F_{2AMax}	N	33000									
		lb _f	7425									
Max. lateral force ^{c)}	F_{2QMax}	N	30000									
		lb _f	6750									
Max. tilting moment	M_{2KMax}	Nm	5000									
		in.lb	44254									
Efficiency at full load	η	%	90									
Service life	L_h	h	> 20000									
Weight (incl. standard adapter plate)	m	kg	96									
		lb _m	212									
Operating noise (at reference ratio and reference speed – ratio-specific values available in cymex [®])	L_{PA}	dB(A)	≤ 71									
		°C	+90									
Max. permitted housing temperature		F	194									
		°C	0 to +40									
Ambient temperature		F	32 to 104									
Lubrication			Lubricated for life									
Direction of rotation			In- and output opposite direction									
Protection class			IP 65									
Metal bellows coupling (recommended product type – validate sizing with cymex [®])			BC2 - 06000AA - 085.000 - X									
		mm	X = 060.000 - 140.000									
Bore diameter of coupling on the application side												
Mass moment of inertia (relates to the drive)	G 24	J_1	kgcm ²	2.73	2.49	2.46	2.42	2.42	2.42	2.42	2.42	2.42
			10 ⁻³ in.lb.s ²	2.42	2.2	2.18	2.14	2.14	2.14	2.14	2.14	2.14
Clamping hub diameter [mm]	K 38	J_1	kgcm ²	9.64	9.4	9.37	9.33	9.33	9.33	9.33	9.33	9.33
			10 ⁻³ in.lb.s ²	8.53	8.32	8.29	8.26	8.26	8.26	8.26	8.26	8.26

Please use our sizing software cymex[®] for a detailed sizing – www.wittenstein-cymex.com
Please contact us for optimum sizing at S1 conditions (Continuous operation).

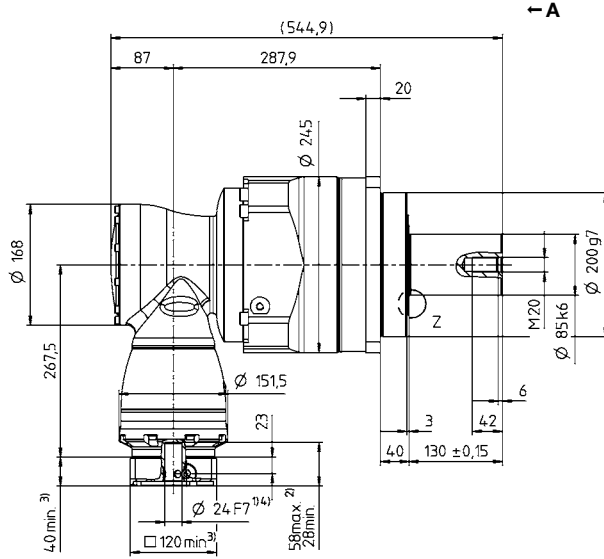
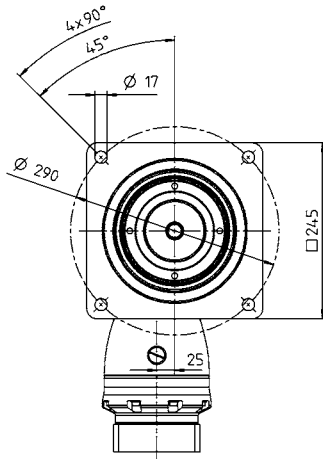
- ^{a)} At max. 10 % F_{2QMax}
- ^{b)} Valid for standard clamping hub diameter
- ^{c)} Refers to center of the output shaft or flange
- ^{d)} Please reduce input speed at higher ambient temperatures
- ^{e)} Smooth shaft

View A

Motor shaft diameter [mm]

4-stage

up to 24 / 38⁴⁾
(G⁵⁾ / K) clamping
hub diameter

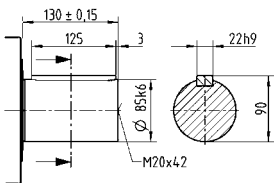


Hypoid gearboxes

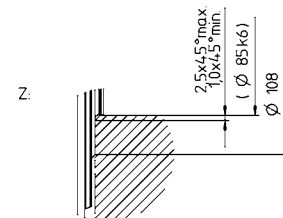
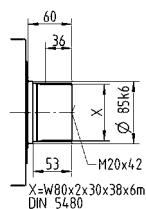
SPK

Other output variants

Shaft with key



Splined shaft (DIN 5480)



See technical data sheet for available clamping hub diameters (mass moment of inertia). Dimensions available on request.

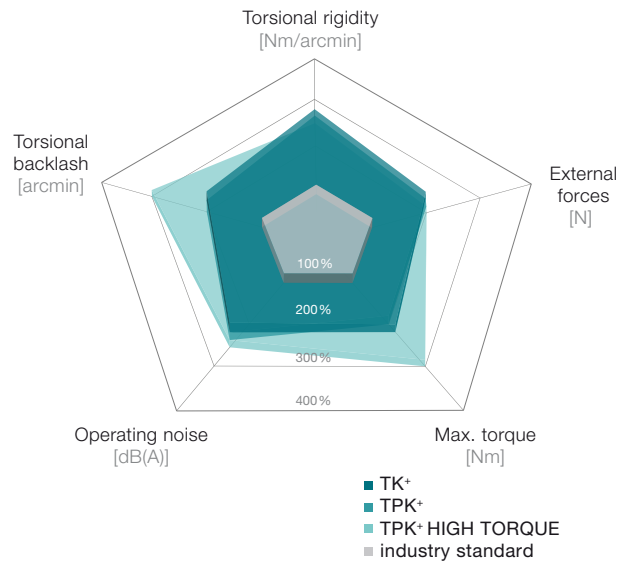
- Non-tolerated dimensions are nominal dimensions
- ¹⁾ Check motor shaft fit
- ²⁾ Min./Max. permissible motor shaft length. Longer motor shafts are possible, please contact alpha.
- ³⁾ The dimensions depend on the motor
- ⁴⁾ Smaller motor shaft diameter is compensated by a bushing with a minimum thickness of 1 mm
- ⁵⁾ Standard clamping hub diameter

TK+ / TPK+ / TPK+ HIGH TORQUE – Space-saving right-angle precision with output flange



The versatile hypoid gearbox with TP+ compatible output flange and hollow shaft. TPK+ / TPK+ HIGH TORQUE gearboxes with planetary stage are especially suitable for high-precision applications requiring higher power and torsional rigidity.

The TK+ / TPK+ / TK+ HIGH TORQUE compared to the industry standard



Product highlights

Max. torsional backlash
 TK+ ≤ 4 arcmin (Standard)
 TPK+ ≤ 3.3 arcmin (Standard)
 ≤ 2 arcmin (Reduced)
 TPK+ HIGH TORQUE ≤ 1.3 arcmin (Standard)

Diverse range of ratios $i = 3 - 10,000$

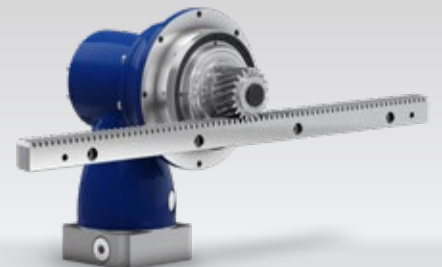
High torque capacity (MA)

Flexibility thanks to various types of output shapes
 Also available in hollow shaft version

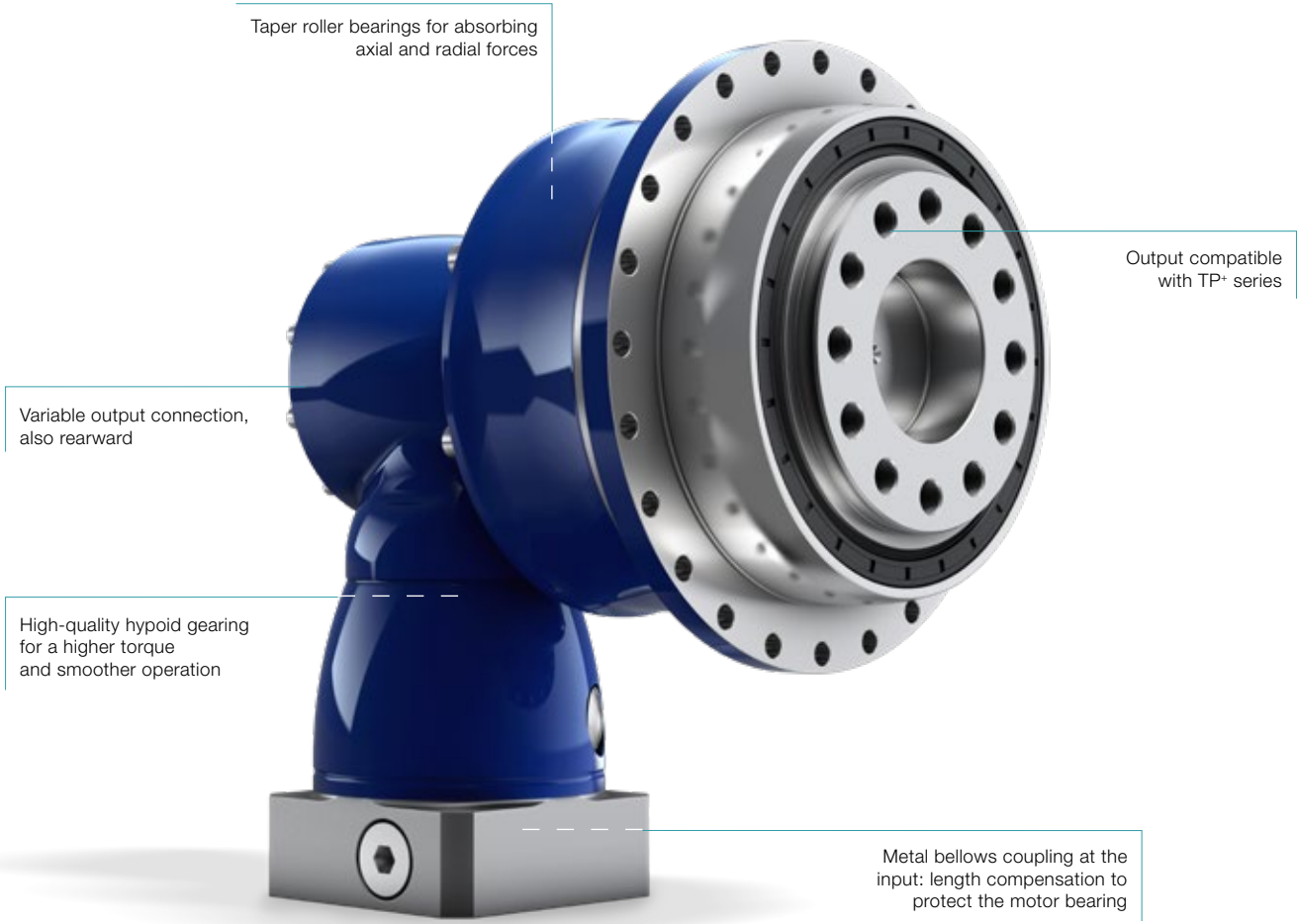
Other gearbox models
 Corrosion resistant design, ATEX (TK+)



TK+ in corrosion-resistant design



TPK+ with rack and pinion



TPK+ HIGH TORQUE



TK+ with metal bellows coupling



TPK+ 2000 / 4000 available on request

TK+ 004 MF 1-/2-stage

			1-stage					2-stage											
Ratio	<i>i</i>		3	4	5	7	10	12	16	20	25	28	35	40	50	70	100		
Max. torque ^{a) b)}	T_{2a}	Nm	36	36	36	25	20	36	36	36	36	36	36	36	36	25	20		
		in.lb	319	319	319	221	177	319	319	319	319	319	319	319	319	319	221	177	
Max. acceleration torque ^{b)} (max. 1000 cycles per hour)	T_{2B}	Nm	30	30	30	25	20	30	30	30	30	30	30	30	30	25	20		
		in.lb	266	266	266	221	177	266	266	266	266	266	266	266	266	221	177		
Nominal torque (at n_n)	T_{2N}	Nm	22	22	22	20	15	22	22	22	22	22	22	22	22	20	15		
		in.lb	195	195	195	177	133	195	195	195	195	195	195	195	195	177	133		
Emergency stop torque ^{a) b)} (permitted 1000 times during the service life of the gearbox)	T_{2Not}	Nm	40	50	50	45	40	50	50	50	50	50	50	50	50	45	40		
		in.lb	354	443	443	398	354	443	443	443	443	443	443	443	443	398	354		
Permitted average input speed (at T_{2a} and 20 °C ambient temperature ^{d)})	n_{1N}	n_{1T}	2200	2400	2700	2700	2700	4400	4400	4400	4400	4400	4400	4400	4800	5500	5500		
Max. input speed	n_{1Max}	rpm	7500	7500	7500	7500	7500	6000	6000	6000	6000	6000	6000	6000	6000	6000	6000		
Mean no load running torque ^{b)} (at $n_i = 3000$ rpm and 20 °C gearbox temperature)	T_{012}	Nm	1.9	1.8	1.4	1.5	1.4	0.2	0.2	0.2	0.2	0.2	0.2	0.2	0.2	0.2	0.2		
		in.lb	17	16	12	13	12	1.8	1.8	1.8	1.8	1.8	1.8	1.8	1.8	1.8	1.8		
Max. backlash	j_t	arcmin	Standard ≤ 5																
Torsional rigidity ^{b)}	C_{t21}	Nm/arcmin	2.6	2.8	3	2.6	2.3	2.8	2.8	2.8	2.8	2.8	2.8	2.8	2.8	3	2.6	2.3	
		in.lb/arcmin	23	25	27	23	20	25	25	25	25	25	25	25	25	27	23	20	
Max. axial force ^{c)}	F_{2AMax}	N	2400																
		lb _f	540																
Max. tilting moment	M_{2KMax}	Nm	251																
		in.lb	2222																
Efficiency at full load	η	%	96					94											
Service life	L_h	h	> 20000																
Weight (incl. standard adapter plate)	m	kg	2.9					3.2											
		lb _m	6					7											
Operating noise (at reference ratio and reference speed – ratio-specific values available in cymex [®])	L_{PA}	dB(A)	≤ 64																
Max. permitted housing temperature		°C	+90																
		F	194																
Ambient temperature		°C	0 to +40																
		F	32 to 104																
Lubrication			Lubricated for life																
Direction of rotation			In- and output opposite direction																
Protection class			IP 65																
Metal bellows coupling (recommended product type – validate sizing with cymex [®])			BCT - 00015AAX - 031.500																
Bore diameter of coupling on the application side		mm	X = 012.000 - 028.000																
Mass moment of inertia (relates to the drive) Clamping hub diameter [mm]	B	11	J_1	kgcm ²	-	-	-	-	-	0.09	0.09	0.07	0.07	0.06	0.06	0.06	0.06	0.06	
				10 ⁻³ in.lb.s ²	-	-	-	-	-	0.08	0.08	0.06	0.06	0.05	0.05	0.05	0.05	0.05	0.05
	C	14	J_1	kgcm ²	0.57	0.46	0.41	0.37	0.35	0.21	0.2	0.19	0.19	0.18	0.18	0.17	0.17	0.17	0.17
				10 ⁻³ in.lb.s ²	0.5	0.41	0.36	0.33	0.31	0.19	0.18	0.17	0.17	0.16	0.16	0.15	0.15	0.15	0.15
E	19	J_1	kgcm ²	0.92	0.82	0.76	0.72	0.7	-	-	-	-	-	-	-	-	-	-	
			10 ⁻³ in.lb.s ²	0.81	0.73	0.67	0.64	0.62	-	-	-	-	-	-	-	-	-	-	-

Please use our sizing software cymex[®] for a detailed sizing – www.wittenstein-cymex.com
Please contact us for optimum sizing at S1 conditions (Continuous operation).

^{a)} At max. 10 % M_{2KMax}

^{b)} Valid for standard clamping hub diameter

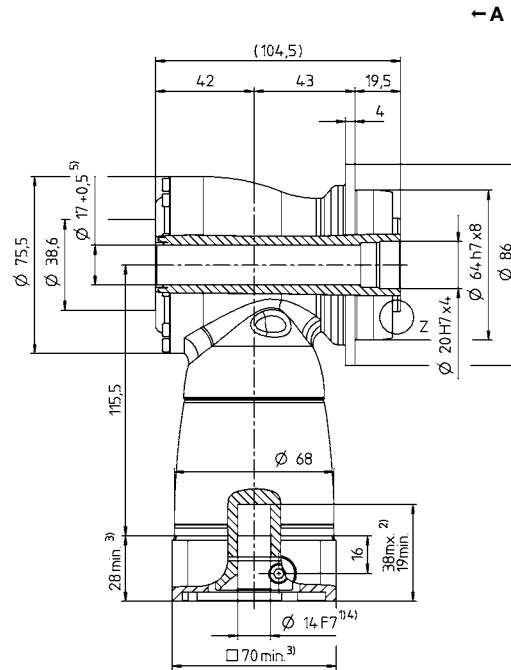
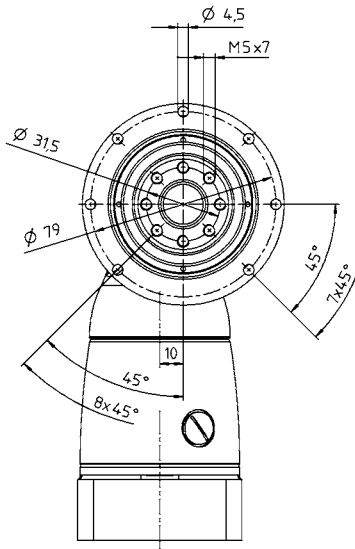
^{c)} Refers to center of the output shaft or flange

^{d)} Please reduce input speed at higher ambient temperatures

View A

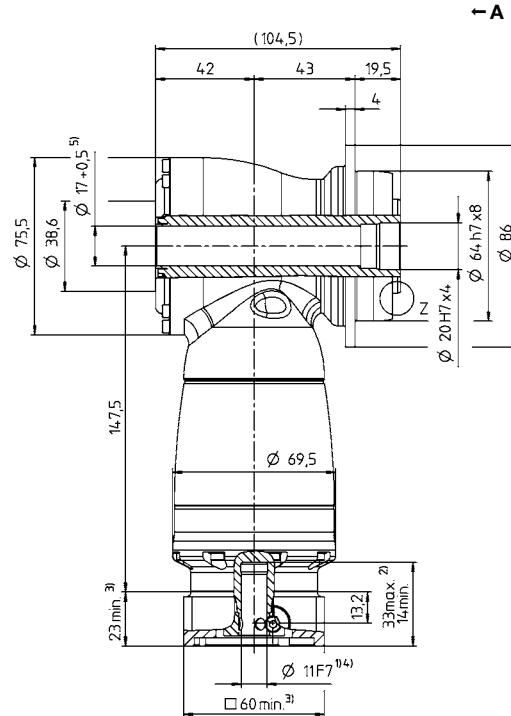
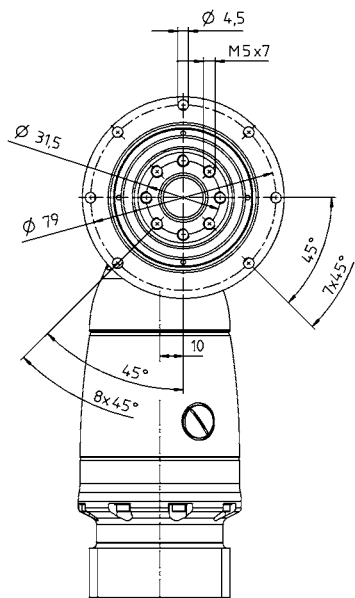
1-stage

up to 14/19⁴⁾
(C⁶⁾/E) clamping
hub diameter



2-stage

up to 11/14⁴⁾
(B⁶⁾/C) clamping
hub diameter



Motor shaft diameter [mm]

Hypoid gearboxes

TK

See technical data sheet for available clamping hub diameters (mass moment of inertia). Dimensions available on request.

Non-tolerated dimensions are nominal dimensions

¹⁾ Check motor shaft fit

²⁾ Min./Max. permissible motor shaft length. Longer motor shafts are possible, please contact alpha.

³⁾ The dimensions depend on the motor

⁴⁾ Smaller motor shaft diameter is compensated by a bushing with a minimum thickness of 1 mm

⁵⁾ Led through element max. Ø 16.8 mm

⁶⁾ Standard clamping hub diameter

TK+ 010 MF 1-/2-stage

			1-stage					2-stage											
Ratio	<i>i</i>		3	4	5	7	10	12	16	20	25	28	35	40	50	70	100		
Max. torque ^{a) b)}	T_{2a}	Nm	84	84	84	60	50	84	84	84	84	84	84	84	84	60	50		
		in.lb	743	743	743	531	443	743	743	743	743	743	743	743	743	743	531	443	
Max. acceleration torque ^{b)} (max. 1000 cycles per hour)	T_{2B}	Nm	70	70	70	60	50	70	70	70	70	70	70	70	70	60	50		
		in.lb	620	620	620	531	443	620	620	620	620	620	620	620	620	620	531	443	
Nominal torque (at n_n)	T_{2N}	Nm	50	50	50	45	40	50	50	50	50	50	50	50	50	45	40		
		in.lb	443	443	443	398	354	443	443	443	443	443	443	443	443	443	398	354	
Emergency stop torque ^{a) b)} (permitted 1000 times during the service life of the gearbox)	T_{2Not}	Nm	95	115	115	110	100	115	115	115	115	115	115	115	115	110	100		
		in.lb	841	1018	1018	974	885	1018	1018	1018	1018	1018	1018	1018	1018	1018	974	885	
Permitted average input speed (at T_{2a} and 20 °C ambient temperature ^{d)})	n_{1N}	n_{1T}	2100	2200	2500	2500	2500	3500	3500	3500	3500	3500	3500	3500	3800	4500	4500		
Max. input speed	n_{1Max}	rpm	7500	7500	7500	7500	7500	6000	6000	6000	6000	6000	6000	6000	6000	6000	6000		
Mean no load running torque ^{b)} (at $n_i = 3000$ rpm and 20 °C gearbox temperature)	T_{012}	Nm	3.3	2.8	2.1	2.4	2.2	0.4	0.4	0.3	0.3	0.3	0.3	0.2	0.2	0.2	0.2		
		in.lb	29	25	19	21	19	3.5	3.5	2.7	2.7	2.7	2.7	1.8	1.8	1.8	1.8		
Max. backlash	j_t	arcmin	Standard ≤ 4																
Torsional rigidity ^{b)}	C_{t21}	Nm/arcmin	6	7	8	8	8	7	7	7	7	7	7	7	8	8	8		
		in.lb/arcmin	53	62	71	71	71	62	62	62	62	62	62	62	71	71	71		
Max. axial force ^{c)}	F_{2AMax}	N	3400																
		lb _f	765																
Max. tilting moment	M_{2KMax}	Nm	437																
		in.lb	3868																
Efficiency at full load	η	%	96					94											
Service life	L_h	h	> 20000																
Weight (incl. standard adapter plate)	m	kg	5.3					6.1											
		lb _m	12					13											
Operating noise (at reference ratio and reference speed – ratio-specific values available in cymex [®])	L_{PA}	dB(A)	≤ 66																
Max. permitted housing temperature		°C	+90																
		F	194																
Ambient temperature		°C	0 to +40																
		F	32 to 104																
Lubrication			Lubricated for life																
Direction of rotation			In- and output opposite direction																
Protection class			IP 65																
Metal bellows coupling (recommended product type – validate sizing with cymex [®])			BCT - 00060AAX - 050.000																
Bore diameter of coupling on the application side		mm	X = 014.000 - 035.000																
Mass moment of inertia (relates to the drive) Clamping hub diameter [mm]	C	14	J_1	kgcm ²	-	-	-	-	-	0.31	0.28	0.24	0.23	0.21	0.2	0.19	0.18	0.18	
				10 ⁻³ in.lb.s ²	-	-	-	-	-	0.27	0.25	0.21	0.2	0.19	0.18	0.17	0.16	0.16	0.16
	E	19	J_1	kgcm ²	1.81	1.39	1.18	1.02	0.93	0.75	0.72	0.68	0.68	0.63	0.63	0.63	0.63	0.63	0.63
				10 ⁻³ in.lb.s ²	1.6	1.23	1.04	0.9	0.82	0.66	0.64	0.6	0.6	0.56	0.56	0.56	0.56	0.56	0.56
H	28	J_1	kgcm ²	3.22	2.8	2.6	2.43	2.34	-	-	-	-	-	-	-	-	-	-	
			10 ⁻³ in.lb.s ²	2.85	2.48	2.3	2.15	2.07	-	-	-	-	-	-	-	-	-	-	-

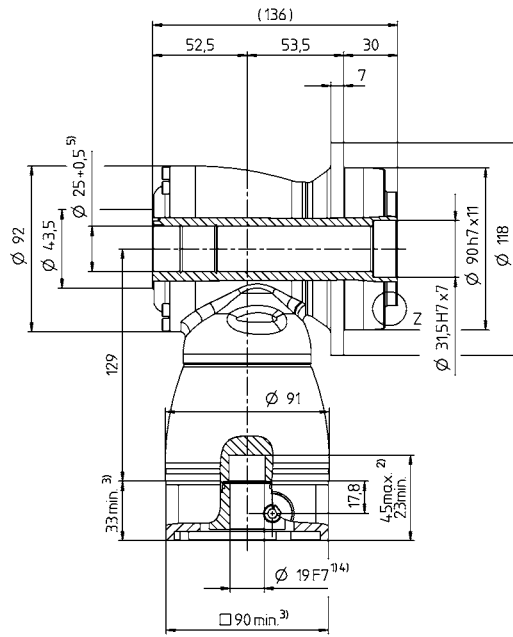
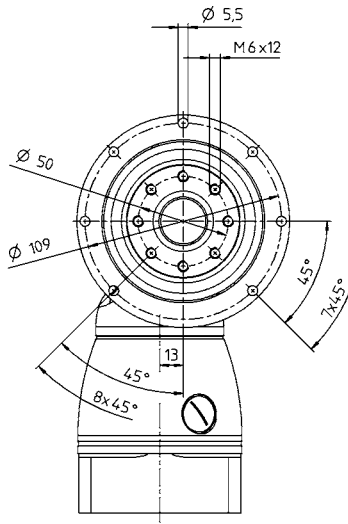
Please use our sizing software cymex[®] for a detailed sizing – www.wittenstein-cymex.com
Please contact us for optimum sizing at S1 conditions (Continuous operation).

- ^{a)} At max. 10 % M_{2KMax}
- ^{b)} Valid for standard clamping hub diameter
- ^{c)} Refers to center of the output shaft or flange
- ^{d)} Please reduce input speed at higher ambient temperatures

View A

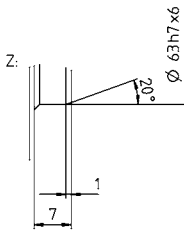
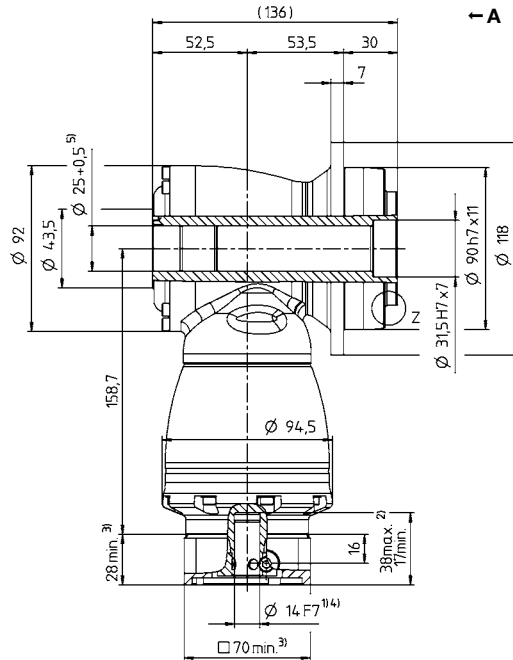
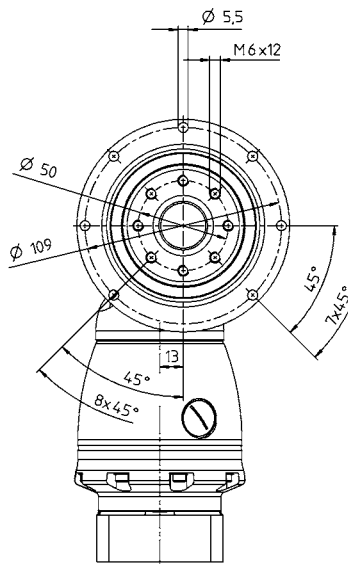
1-stage

up to 19/28⁴⁾
(E⁶⁾/H) clamping
hub diameter



2-stage

up to 14/19⁴⁾
(C⁶⁾/E) clamping
hub diameter



Motor shaft diameter [mm]

Hypoid gearboxes

TK

See technical data sheet for available clamping hub diameters (mass moment of inertia). Dimensions available on request.

Non-tolerated dimensions are nominal dimensions

¹⁾ Check motor shaft fit

²⁾ Min./Max. permissible motor shaft length. Longer motor shafts are possible, please contact alpha.

³⁾ The dimensions depend on the motor

⁴⁾ Smaller motor shaft diameter is compensated by a bushing with a minimum thickness of 1 mm

⁵⁾ Led through element max. Ø 24.8 mm

⁶⁾ Standard clamping hub diameter

TK+ 025 MF 1-/2-stage

			1-stage					2-stage											
Ratio	<i>i</i>		3	4	5	7	10	12	16	20	25	28	35	40	50	70	100		
Max. torque ^{a) b)}	T_{2a}	Nm	204	204	204	145	125	204	204	204	204	204	204	204	204	145	125		
		in.lb	1806	1806	1806	1283	1106	1806	1806	1806	1806	1806	1806	1806	1806	1806	1283	1106	
Max. acceleration torque ^{b)} (max. 1000 cycles per hour)	T_{2B}	Nm	170	170	170	145	125	170	170	170	170	170	170	170	170	145	125		
		in.lb	1505	1505	1505	1283	1106	1505	1505	1505	1505	1505	1505	1505	1505	1505	1283	1106	
Nominal torque (at n_n)	T_{2N}	Nm	100	100	100	90	80	100	100	100	100	100	100	100	100	90	80		
		in.lb	885	885	885	797	708	885	885	885	885	885	885	885	885	885	797	708	
Emergency stop torque ^{a) b)} (permitted 1000 times during the service life of the gearbox)	T_{2Not}	Nm	220	260	260	255	250	260	260	260	260	260	260	260	260	260	255	250	
		in.lb	1947	2301	2301	2257	2213	2301	2301	2301	2301	2301	2301	2301	2301	2301	2257	2213	
Permitted average input speed (at T_{2a} and 20 °C ambient temperature ^{d)})	n_{1N}	n_{1T}	2000	2100	2400	2200	2200	3100	3100	3100	3100	3100	3100	3100	3100	3500	4200	4200	
Max. input speed	n_{1Max}	rpm	5500	5500	5500	5500	5500	4500	4500	4500	4500	4500	4500	4500	4500	4500	4500		
Mean no load running torque ^{b)} (at $n_i = 3000$ rpm and 20 °C gearbox temperature)	T_{012}	Nm	4.9	3.9	4	4.5	3.6	0.7	0.7	0.6	0.5	0.5	0.4	0.2	0.2	0.2	0.2		
		in.lb	43	35	35	40	32	6.2	6.2	5.3	4.4	4.4	3.5	1.8	1.8	1.8	1.8		
Max. backlash	j_t	arcmin	Standard ≤ 4																
Torsional rigidity ^{b)}	C_{t21}	Nm/arcmin	12	13	16	16	16	13	13	13	13	13	13	13	16	16	16		
		in.lb/arcmin	106	115	142	142	142	115	115	115	115	115	115	115	142	142	142		
Max. axial force ^{c)}	F_{2AMax}	N	5700																
		lb _f	1283																
Max. tilting moment	M_{2KMax}	Nm	833																
		in.lb	7373																
Efficiency at full load	η	%	96					94											
Service life	L_h	h	> 20000																
Weight (incl. standard adapter plate)	<i>m</i>	kg	8.9					10.6											
		lb _m	20					23											
Operating noise (at reference ratio and reference speed – ratio-specific values available in cymex [®])	L_{PA}	dB(A)	≤ 66																
Max. permitted housing temperature		°C	+90																
		F	194																
Ambient temperature		°C	0 to +40																
		F	32 to 104																
Lubrication			Lubricated for life																
Direction of rotation			In- and output opposite direction																
Protection class			IP 65																
Metal bellows coupling (recommended product type – validate sizing with cymex [®])			BCT - 00150AAX - 063.000																
Bore diameter of coupling on the application side		mm	X = 019.000 - 042.000																
Mass moment of inertia (relates to the drive) Clamping hub diameter [mm]	E	19	J_1	kgcm ²	-	-	-	-	-	1.08	1.01	0.88	0.85	0.76	0.75	0.7	0.69	0.68	0.68
				10 ⁻³ in.lb.s ²	-	-	-	-	-	0.96	0.89	0.78	0.75	0.67	0.66	0.62	0.61	0.6	0.6
	G	24	J_1	kgcm ²	-	-	-	-	-	2.65	2.57	2.44	2.42	2.32	2.31	2.26	2.25	2.25	2.25
				10 ⁻³ in.lb.s ²	-	-	-	-	-	2.35	2.27	2.16	2.14	2.05	2.04	2	1.99	1.99	1.99
	H	28	J_1	kgcm ²	5.5	4.3	3.6	3.1	2.9	-	-	-	-	-	-	-	-	-	-
				10 ⁻³ in.lb.s ²	4.87	3.81	3.19	2.74	2.57	-	-	-	-	-	-	-	-	-	-
	K	38	J_1	kgcm ²	12.7	11.5	10.9	10.4	10.1	-	-	-	-	-	-	-	-	-	-
				10 ⁻³ in.lb.s ²	11.24	10.18	9.65	9.2	8.94	-	-	-	-	-	-	-	-	-	-

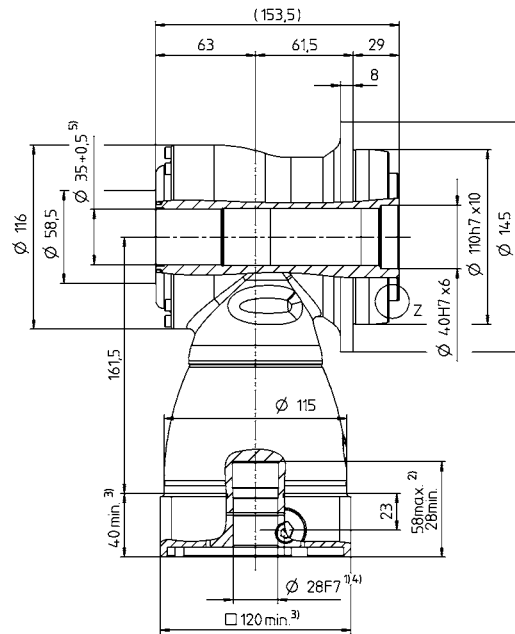
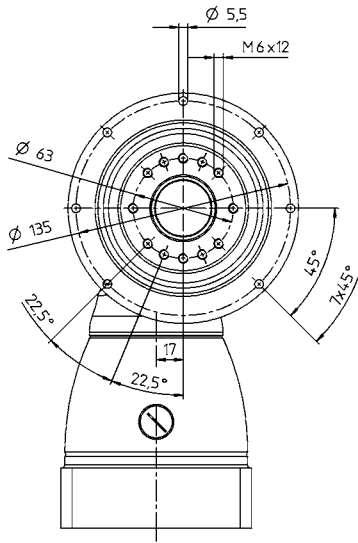
Please use our sizing software cymex[®] for a detailed sizing – www.wittenstein-cymex.com
Please contact us for optimum sizing at S1 conditions (Continuous operation).

- ^{a)} At max. 10 % M_{2KMax}
- ^{b)} Valid for standard clamping hub diameter
- ^{c)} Refers to center of the output shaft or flange
- ^{d)} Please reduce input speed at higher ambient temperatures

View A

1-stage

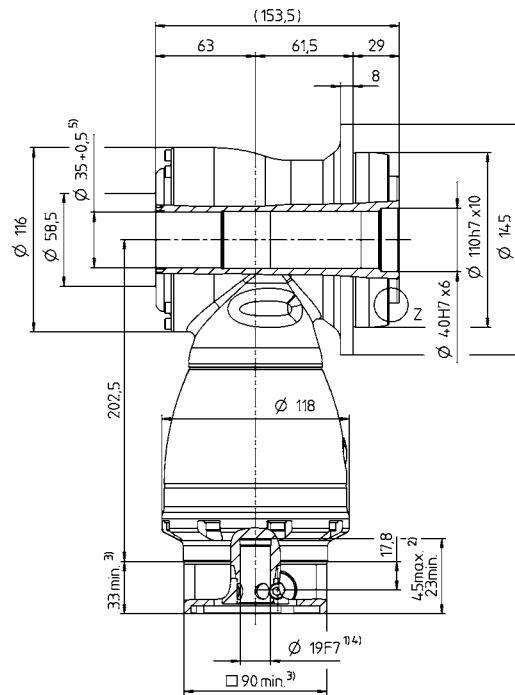
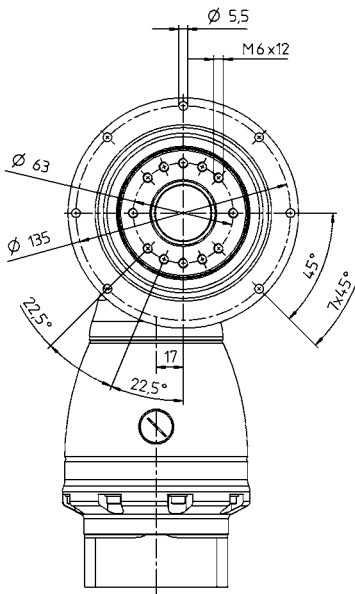
up to 28/38⁴⁾
(H⁶⁾/K) clamping
hub diameter



← A

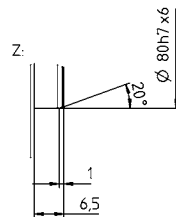
2-stage

up to 19/24⁴⁾
(E⁶⁾/G) clamping
hub diameter



← A

Motor shaft diameter [mm]



See technical data sheet for available clamping hub diameters (mass moment of inertia). Dimensions available on request.

- Non-tolerated dimensions are nominal dimensions
- ¹⁾ Check motor shaft fit
- ²⁾ Min./Max. permissible motor shaft length. Longer motor shafts are possible, please contact alpha.
- ³⁾ The dimensions depend on the motor
- ⁴⁾ Smaller motor shaft diameter is compensated by a bushing with a minimum thickness of 1 mm
- ⁵⁾ Led through element max. Ø 34.8 mm
- ⁶⁾ Standard clamping hub diameter

Hypoid gearboxes

TK

TK+ 050 MF 1-/2-stage

			1-stage					2-stage											
Ratio	<i>i</i>		3	4	5	7	10	12	16	20	25	28	35	40	50	70	100		
Max. torque ^{a) b)}	T_{2a}	Nm	360	360	360	250	210	360	360	360	360	360	360	360	360	250	210		
		in.lb	3186	3186	3186	2213	1859	3186	3186	3186	3186	3186	3186	3186	3186	2213	1859		
Max. acceleration torque ^{b)} (max. 1000 cycles per hour)	T_{2B}	Nm	300	300	300	250	210	300	300	300	300	300	300	300	300	250	210		
		in.lb	2655	2655	2655	2213	1859	2655	2655	2655	2655	2655	2655	2655	2655	2213	1859		
Nominal torque (at n_n)	T_{2N}	Nm	190	190	190	175	160	190	190	190	190	190	190	190	190	175	160		
		in.lb	1682	1682	1682	1549	1416	1682	1682	1682	1682	1682	1682	1682	1682	1549	1416		
Emergency stop torque ^{a) b)} (permitted 1000 times during the service life of the gearbox)	T_{2Not}	Nm	400	500	500	450	400	500	500	500	500	500	500	500	500	450	400		
		in.lb	3540	4425	4425	3983	3540	4425	4425	4425	4425	4425	4425	4425	4425	3983	3540		
Permitted average input speed (at T_{2a} and 20 °C ambient temperature ^{d)})	n_{1N}	n_{1T}	1700	1800	2000	1800	1800	2900	2900	2900	2900	2900	2900	2900	3200	3200	3900		
Max. input speed	n_{1Max}	rpm	5000	5000	5000	5000	5000	4500	4500	4500	4500	4500	4500	4500	4500	4500	4500		
Mean no load running torque ^{b)} (at $n_i = 3000$ rpm and 20 °C gearbox temperature)	T_{012}	Nm	9.6	7.1	8.4	9	6.6	1.7	1.1	0.8	0.6	0.6	0.5	0.5	0.4	0.4	0.4		
		in.lb	85	63	74	80	58	15	9.7	7.1	5.3	5.3	4.4	4.4	3.5	3.5	3.5		
Max. backlash	j_t	arcmin	Standard ≤ 4																
Torsional rigidity ^{b)}	C_{t21}	Nm/arcmin	36	40	46	44	42	40	40	40	40	40	40	40	46	44	42		
		in.lb/arcmin	319	354	407	389	372	354	354	354	354	354	354	354	407	389	372		
Max. axial force ^{c)}	F_{2AMax}	N	9900																
		lb _f	2228																
Max. tilting moment	M_{2KMax}	Nm	1692																
		in.lb	14976																
Efficiency at full load	η	%	96					94											
Service life	L_h	h	> 20000																
Weight (incl. standard adapter plate)	<i>m</i>	kg	22					26											
		lb _m	49					57											
Operating noise (at reference ratio and reference speed – ratio-specific values available in cymex [®])	L_{PA}	dB(A)	≤ 68																
Max. permitted housing temperature		°C	+90																
		F	194																
Ambient temperature		°C	0 to +40																
		F	32 to 104																
Lubrication			Lubricated for life																
Direction of rotation			In- and output opposite direction																
Protection class			IP 65																
Metal bellows coupling (recommended product type – validate sizing with cymex [®])			BCT - 00300AAX - 080.000																
Bore diameter of coupling on the application side		mm	X = 024.000 - 060.000																
Mass moment of inertia (relates to the drive)	G	24	J_1	kgcm ²	-	-	-	-	-	4.43	3.97	3.36	3.22	2.82	2.75	2.5	2.47	2.44	2.42
				10 ⁻³ in.lb.s ²	-	-	-	-	-	3.92	3.51	2.97	2.85	2.5	2.43	2.21	2.19	2.16	2.14
Clamping hub diameter [mm]	K	38	J_1	kgcm ²	28.4	21	17.6	14.7	13.1	11.3	10.9	10.3	10.1	9.74	9.66	9.41	9.38	9.35	9.33
				10 ⁻³ in.lb.s ²	25.13	18.59	15.58	13.01	11.59	10	9.65	9.12	8.94	8.62	8.55	8.33	8.3	8.27	8.26

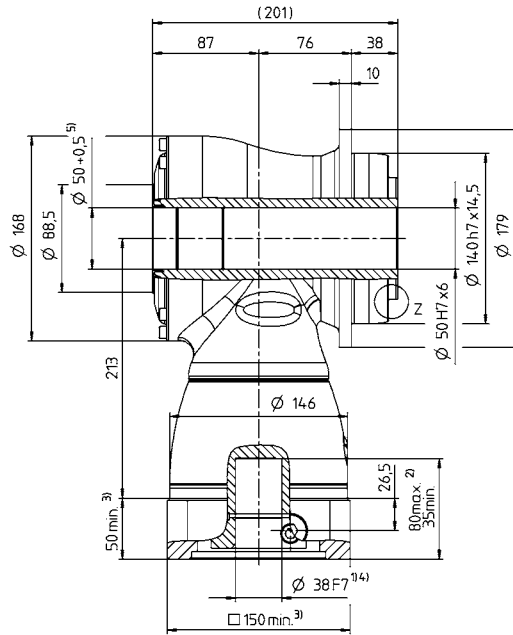
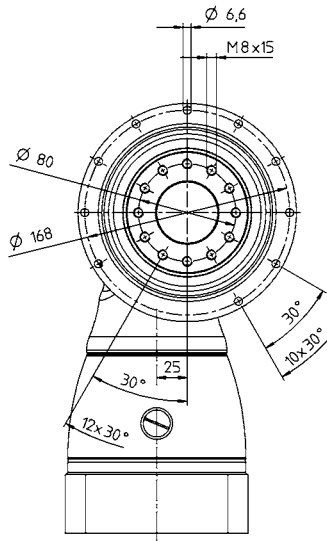
Please use our sizing software cymex[®] for a detailed sizing – www.wittenstein-cymex.com
Please contact us for optimum sizing at S1 conditions (Continuous operation).

- ^{a)} At max. 10 % M_{2KMax}
- ^{b)} Valid for standard clamping hub diameter
- ^{c)} Refers to center of the output shaft or flange
- ^{d)} Please reduce input speed at higher ambient temperatures

View A

1-stage

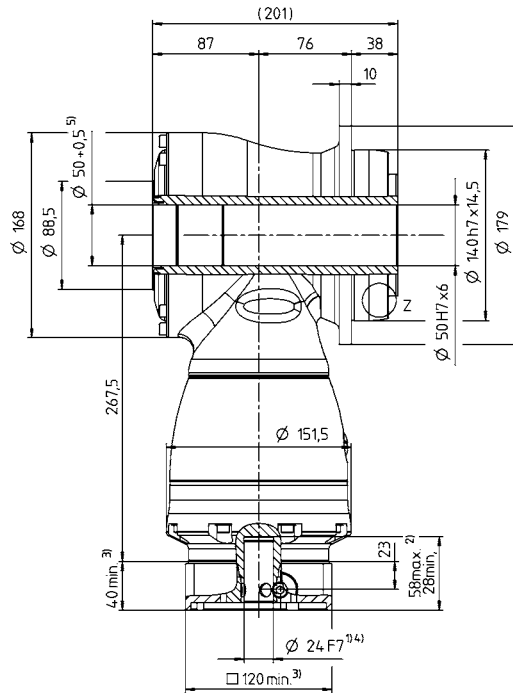
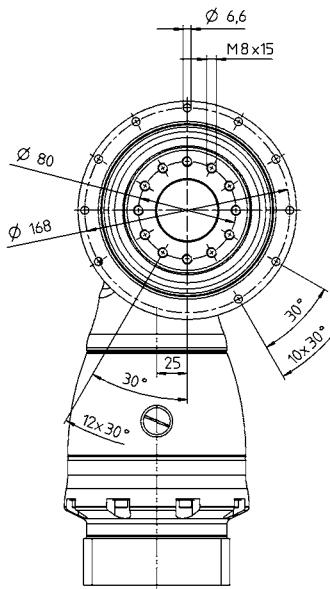
up to 38⁴⁾ (K)⁶⁾
clamping hub diameter



← A

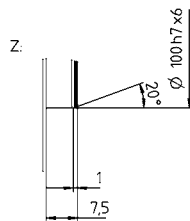
2-stage

up to 24/38⁴⁾ (G⁶⁾/K)
clamping hub diameter



← A

Motor shaft diameter [mm]



See technical data sheet for available clamping hub diameters (mass moment of inertia). Dimensions available on request.

Non-tolerated dimensions are nominal dimensions

¹⁾ Check motor shaft fit

²⁾ Min./Max. permissible motor shaft length. Longer motor shafts are possible, please contact alpha.

³⁾ The dimensions depend on the motor

⁴⁾ Smaller motor shaft diameter is compensated by a bushing with a minimum thickness of 1 mm

⁵⁾ Led through element max. Ø 49.8 mm

⁶⁾ Standard clamping hub diameter

Hypoid gearboxes

TK

TK+ 110 MF 1-/2-stage

			1-stage					2-stage											
Ratio	<i>i</i>		3	4	5	7	10	12	16	20	25	28	35	40	50	70	100		
Max. torque ^{a) b)}	T_{2a}	Nm	768	768	768	550	470	768	768	768	768	768	768	768	768	550	470		
		in.lb	6797	6797	6797	4868	4160	6797	6797	6797	6797	6797	6797	6797	6797	6797	4868	4160	
Max. acceleration torque ^{b)} (max. 1000 cycles per hour)	T_{2B}	Nm	640	640	640	550	470	640	640	640	640	640	640	640	640	550	470		
		in.lb	5665	5665	5665	4868	4160	5665	5665	5665	5665	5665	5665	5665	5665	4868	4160		
Nominal torque (at n_n)	T_{2N}	Nm	400	400	400	380	360	400	400	400	400	400	400	400	400	380	360		
		in.lb	3540	3540	3540	3363	3186	3540	3540	3540	3540	3540	3540	3540	3540	3363	3186		
Emergency stop torque ^{a) b)} (permitted 1000 times during the service life of the gearbox)	T_{2Not}	Nm	900	1050	1050	970	900	1050	1050	1050	1050	1050	1050	1050	1050	970	900		
		in.lb	7966	9293	9293	8585	7966	9293	9293	9293	9293	9293	9293	9293	9293	8585	7966		
Permitted average input speed (at T_{2a} and 20 °C ambient temperature ^{d)})	n_{1N}	n_{1T}	1400	1600	1800	1600	1600	2700	2700	2700	2700	2700	2700	2700	2900	3200	3400		
Max. input speed	n_{1Max}	rpm	4500	4500	4500	4500	4500	4000	4000	4000	4000	4000	4000	4000	4000	4000	4000		
Mean no load running torque ^{b)} (at $n_1 = 3000$ rpm and 20 °C gearbox temperature)	T_{012}	Nm	20	17	18	19	16	3.6	2.8	2.2	1.9	1.6	1.4	1.1	1.1	1.1	1.1		
		in.lb	177	150	159	168	142	32	25	19	17	14	12	9.7	9.7	9.7	9.7		
Max. backlash	j_t	arcmin	Standard ≤ 4																
Torsional rigidity ^{b)}	C_{t21}	Nm/arcmin	76	87	99	97	96	87	87	87	87	87	87	87	99	97	96		
		in.lb/arcmin	673	770	876	859	850	770	770	770	770	770	770	770	876	859	850		
Max. axial force ^{c)}	F_{2AMax}	N	14200																
		lb _f	3195																
Max. tilting moment	M_{2KMax}	Nm	3213																
		in.lb	28438																
Efficiency at full load	η	%	96					94											
Service life	L_h	h	> 20000																
Weight (incl. standard adapter plate)	m	kg	48					54											
		lb _m	106					119											
Operating noise (at reference ratio and reference speed – ratio-specific values available in cymex [®])	L_{PA}	dB(A)	≤ 68																
Max. permitted housing temperature		°C	+90																
		F	194																
Ambient temperature		°C	0 to +40																
		F	32 to 104																
Lubrication			Lubricated for life																
Direction of rotation			In- and output opposite direction																
Protection class			IP 65																
Metal bellows coupling (recommended product type – validate sizing with cymex [®])			BCT - 01500AAX - 125.000																
Bore diameter of coupling on the application side		mm	X = 050.000 - 080.000																
Mass moment of inertia (relates to the drive)	K	38	J_1	kgcm ²	-	-	-	-	-	16.8	14.8	12.9	12.3	11.2	10.9	10.3	10.1	10	9.93
				10 ⁻³ in.lb.s ²	-	-	-	-	-	14.87	13.1	11.42	10.89	9.91	9.65	9.12	8.94	8.85	8.79
Clamping hub diameter [mm]	M	48	J_1	kgcm ²	96.5	64.6	50.5	38.2	31.8	31.5	29.5	27.6	27	25.9	25.6	25	24.8	24.7	24.6
				10 ⁻³ in.lb.s ²	85.4	57.17	44.69	33.81	28.14	27.88	26.11	24.43	23.9	22.92	22.66	22.13	21.95	21.86	21.77

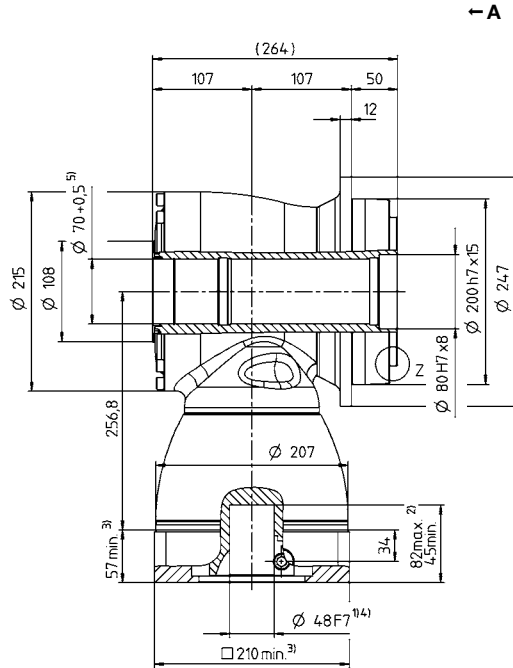
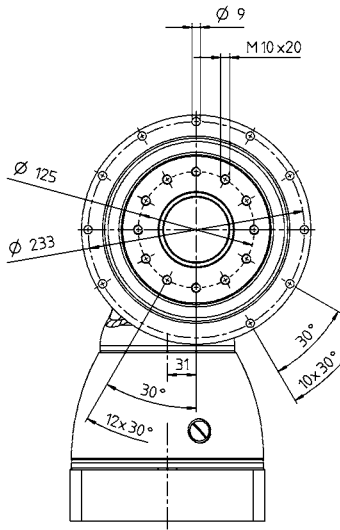
Please use our sizing software cymex[®] for a detailed sizing – www.wittenstein-cymex.com
Please contact us for optimum sizing at S1 conditions (Continuous operation).

- ^{a)} At max. 10 % M_{2KMax}
- ^{b)} Valid for standard clamping hub diameter
- ^{c)} Refers to center of the output shaft or flange
- ^{d)} Please reduce input speed at higher ambient temperatures

View A

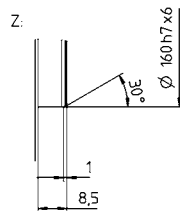
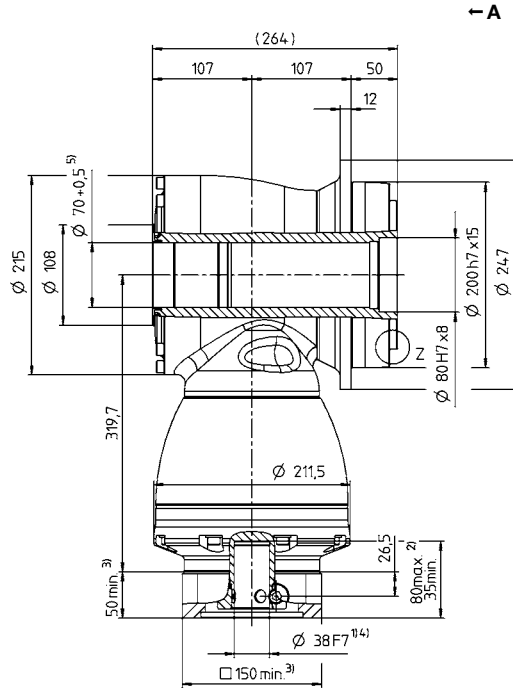
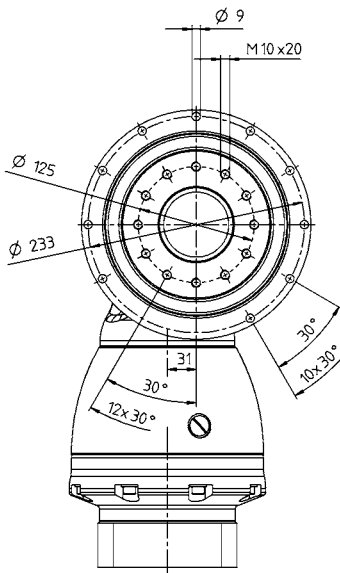
1-stage

up to 48⁴⁾ (M)⁶⁾
clamping hub diameter



2-stage

up to 38/48⁴⁾
(K⁶⁾/M) clamping hub diameter



Motor shaft diameter [mm]

Hypoid gearboxes

TK

See technical data sheet for available clamping hub diameters (mass moment of inertia). Dimensions available on request.

Non-tolerated dimensions are nominal dimensions

¹⁾ Check motor shaft fit

²⁾ Min./Max. permissible motor shaft length. Longer motor shafts are possible, please contact alpha.

³⁾ The dimensions depend on the motor

⁴⁾ Smaller motor shaft diameter is compensated by a bushing with a minimum thickness of 1 mm

⁵⁾ Led through element max. Ø 69.8 mm

⁶⁾ Standard clamping hub diameter

TPK+ 010 MF 2-stage

			2-stage												
Ratio	<i>i</i>		12	16	20	25	28	35	40	49	50	70	100		
Max. torque ^{a) b)}	T_{2a}	Nm	144	144	180	180	210	210	80	175	100	140	168		
		in.lb	1275	1275	1593	1593	1859	1859	708	1549	885	1239	1487		
Max. acceleration torque ^{b)} (max. 1000 cycles per hour)	T_{2B}	Nm	120	120	150	150	172	172	80	172	100	140	126		
		in.lb	1062	1062	1328	1328	1522	1522	708	1522	885	1239	1115		
Nominal torque (at n_n)	T_{2N}	Nm	75	75	75	75	75	75	60	75	75	75	60		
		in.lb	664	664	664	664	664	664	531	664	664	664	531		
Emergency stop torque ^{a) b)} (permitted 1000 times during the service life of the gearbox)	T_{2Not}	Nm	160	200	250	250	251	251	160	251	200	251	251		
		in.lb	1416	1770	2213	2213	2222	2222	1416	2222	1770	2222	2222		
Permitted average input speed (at T_{2a} and 20 °C ambient temperature) ^{d)}	n_{1N}	n_{1T}	2000	2400	2400	2700	2400	2500	2500	2500	2500	2500	2500		
Max. input speed	n_{1Max}	rpm	7500	7500	7500	7500	7500	7500	7500	7500	7500	7500	7500		
Mean no load running torque ^{b)} (at $n_1 = 3000$ rpm and 20 °C gearbox temperature)	T_{012}	Nm	1.7	1.4	1.3	1.2	1.3	1.3	1.4	1.4	1.4	1.3	1.3		
		in.lb	15	12	12	11	12	12	12	12	12	12	12		
Max. backlash	j_t	arcmin	Standard ≤ 5 / Reduced ≤ 3												
Torsional rigidity ^{b)}	C_{t21}	Nm/arcmin	16	16	20	21	23	24	15	23	19	22	27		
		in.lb/arcmin	142	142	177	186	204	212	133	204	168	195	239		
Tilting rigidity	C_{2K}	Nm/arcmin	225												
		in.lb/arcmin	1991												
Max. axial force ^{c)}	F_{2AMax}	N	2795												
		lb _f	629												
Max. tilting moment	M_{2KMax}	Nm	270												
		in.lb	2390												
Efficiency at full load	η	%	94												
Service life	L_h	h	> 20000												
Weight (incl. standard adapter plate)	m	kg	5.2												
		lb _m	11												
Operating noise (at reference ratio and reference speed – ratio-specific values available in cymex [®])	L_{PA}	dB(A)	≤ 66												
Max. permitted housing temperature		°C	+90												
		F	194												
Ambient temperature		°C	0 to +40												
		F	32 to 104												
Lubrication			Lubricated for life												
Direction of rotation			In- and output opposite direction												
Protection class			IP 65												
Metal bellows coupling (recommended product type – validate sizing with cymex [®])			BCT - 00060AAX - 050.000												
Bore diameter of coupling on the application side		mm	X = 014.000 - 035.000												
Mass moment of inertia (relates to the drive)	C	14	J_1	kgcm ²	0.55	0.46	0.44	0.39	0.43	0.36	0.34	0.37	0.34	0.34	0.34
				10 ⁻³ in.lb.s ²	0.49	0.41	0.39	0.35	0.38	0.32	0.3	0.33	0.3	0.3	0.3
Clamping hub diameter [mm]	E	19	J_1	kgcm ²	0.9	0.81	0.79	0.75	0.78	0.71	0.7	0.72	0.7	0.69	0.69
				10 ⁻³ in.lb.s ²	0.8	0.72	0.7	0.66	0.69	0.63	0.62	0.64	0.62	0.61	0.61

Please use our sizing software cymex[®] for a detailed sizing – www.wittenstein-cymex.com
Please contact us for optimum sizing at S1 conditions (Continuous operation).

^{a)} At max. 10 % M_{2KMax}

^{b)} Valid for standard clamping hub diameter

^{c)} Refers to center of the output shaft or flange

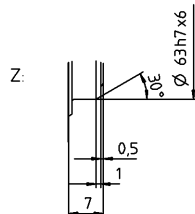
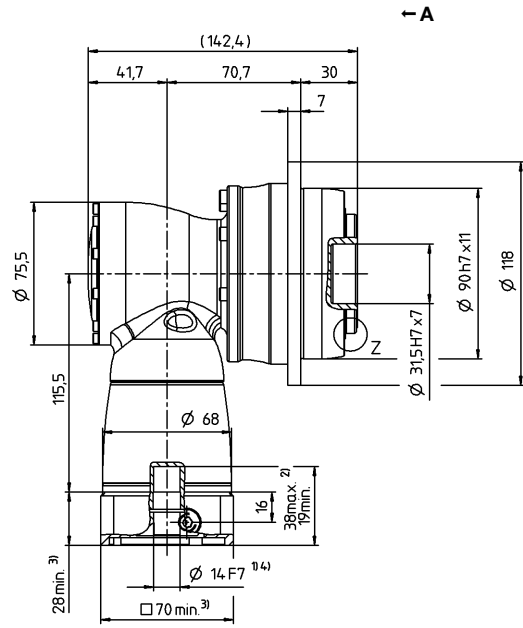
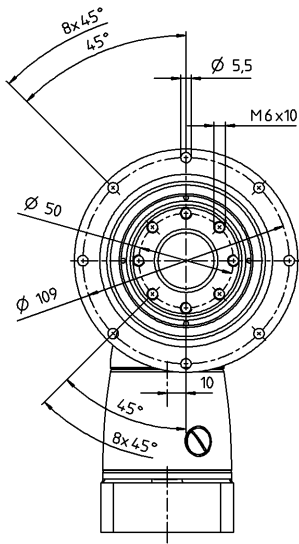
^{d)} Please reduce input speed at higher ambient temperatures

View A

Motor shaft diameter [mm]

2-stage

up to 14/19⁴⁾
(C⁵⁾ / E) clamping
hub diameter



See technical data sheet for available clamping hub diameters (mass moment of inertia). Dimensions available on request.

Non-tolerated dimensions are nominal dimensions

- ¹⁾ Check motor shaft fit
- ²⁾ Min./Max. permissible motor shaft length. Longer motor shafts are possible, please contact alpha.
- ³⁾ The dimensions depend on the motor
- ⁴⁾ Smaller motor shaft diameter is compensated by a bushing with a minimum thickness of 1 mm
- ⁵⁾ Standard clamping hub diameter

TPK+ 010 MF 3-stage

			3-stage													
Ratio	i		64	84	100	125	140	175	200	250	280	350	400	500	700	1000
Max. torque ^{a) b)}	T_{2a}	Nm	144	144	180	180	180	180	180	180	210	210	96	120	168	168
		in.lb	1275	1275	1593	1593	1593	1593	1593	1593	1859	1859	850	1062	1487	1487
Max. acceleration torque ^{b)} (max. 1000 cycles per hour)	T_{2B}	Nm	120	120	150	150	150	150	150	150	172	172	80	100	140	126
		in.lb	1062	1062	1328	1328	1328	1328	1328	1328	1522	1522	708	885	1239	1115
Nominal torque (at n_n)	T_{2N}	Nm	85	85	90	90	90	90	90	90	75	90	60	75	90	60
		in.lb	752	752	797	797	797	797	797	797	664	797	531	664	797	531
Emergency stop torque ^{a) b)} (permitted 1000 times during the service life of the gearbox)	T_{2Not}	Nm	200	160	250	250	250	250	250	250	251	251	160	200	251	251
		in.lb	1770	1416	2213	2213	2213	2213	2213	2213	2222	2222	1416	1770	2222	2222
Permitted average input speed (at T_{2a} and 20 °C ambient temperature) ^{d)}	n_{1N}	n_{1T}	4400	4400	4400	4400	4400	4400	4400	4800	4400	4800	5500	5500	5500	5500
Max. input speed	n_{1Max}	rpm	6000	6000	6000	6000	6000	6000	6000	6000	6000	6000	6000	6000	6000	6000
Mean no load running torque ^{b)} (at $n_i = 3000$ rpm and 20 °C gearbox temperature)	T_{012}	Nm	0.3	0.3	0.3	0.3	0.3	0.3	0.2	0.2	0.2	0.2	0.2	0.2	0.2	0.2
		in.lb	2.7	2.7	2.7	2.7	2.7	2.7	1.8	1.8	1.8	1.8	1.8	1.8	1.8	1.8
Max. backlash	j_t	arcmin	Standard ≤ 5 / Reduced ≤ 3													
Torsional rigidity ^{b)}	C_{t21}	Nm/arcmin	16	16	20	21	20	21	20	21	23	24	15	19	22	27
		in.lb/arcmin	142	142	177	186	177	186	177	186	204	212	133	168	195	239
Tilting rigidity	C_{2K}	Nm/arcmin	225													
		in.lb/arcmin	1991													
Max. axial force ^{c)}	F_{2AMax}	N	2795													
		lb _f	629													
Max. tilting moment	M_{2KMax}	Nm	270													
		in.lb	2390													
Efficiency at full load	η	%	92													
Service life	L_h	h	> 20000													
Weight (incl. standard adapter plate)	m	kg	5.5													
		lb _m	12													
Operating noise (at reference ratio and reference speed – ratio-specific values available in cymex [®])	L_{PA}	dB(A)	≤ 66													
		°C	+90													
Max. permitted housing temperature		F	194													
		°C	0 to +40													
Ambient temperature		F	32 to 104													
			Lubricated for life													
Direction of rotation			In- and output opposite direction													
Protection class			IP 65													
Metal bellows coupling (recommended product type – validate sizing with cymex [®])			BCT - 00060AAX - 050.000													
		Bore diameter of coupling on the application side	mm	X = 014.000 - 035.000												
Mass moment of inertia (relates to the drive)	B	11	J_1	kgcm ²	0.09	0.07	0.08	0.07	0.06	0.06	0.06	0.06	0.06	0.06	0.06	0.06
				10 ⁻³ in.lb.s ²	0.08	0.06	0.07	0.06	0.05	0.05	0.05	0.05	0.05	0.05	0.05	0.05
Clamping hub diameter [mm]	C	14	J_1	kgcm ²	0.2	0.18	0.19	0.19	0.18	0.18	0.17	0.17	0.17	0.17	0.17	0.17
				10 ⁻³ in.lb.s ²	0.18	0.16	0.17	0.17	0.16	0.16	0.15	0.15	0.15	0.15	0.15	0.15

Please use our sizing software cymex[®] for a detailed sizing – www.wittenstein-cymex.com
Please contact us for optimum sizing at S1 conditions (Continuous operation).

^{a)} At max. 10 % M_{2KMax}

^{b)} Valid for standard clamping hub diameter

^{c)} Refers to center of the output shaft or flange

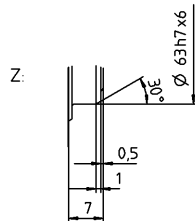
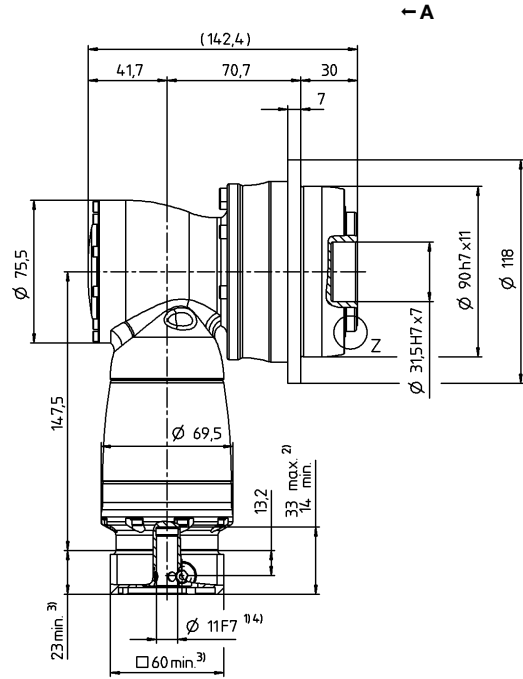
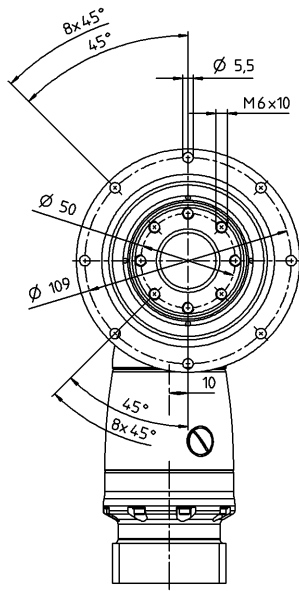
^{d)} Please reduce input speed at higher ambient temperatures

View A

Motor shaft diameter [mm]

3-stage

up to 11/14⁴⁾
(B⁵⁾/C) clamping
hub diameter



See technical data sheet for available clamping hub diameters (mass moment of inertia). Dimensions available on request.

Non-tolerated dimensions are nominal dimensions
1) Check motor shaft fit

2) Min./Max. permissible motor shaft length. Longer motor shafts are possible, please contact alpha.

3) The dimensions depend on the motor

4) Smaller motor shaft diameter is compensated by a bushing with a minimum thickness of 1 mm

5) Standard clamping hub diameter

TPK+ 025 MF 2-stage

			2-stage											
Ratio	<i>i</i>		12	16	20	25	28	35	40	49	50	70	100	
Max. torque ^{a) b)}	T_{2a}	Nm	336	336	380	380	352	352	200	352	250	350	352	
		in.lb	2974	2974	3363	3363	3115	3115	1770	3115	2213	3098	3115	
Max. acceleration torque ^{b)} (max. 1000 cycles per hour)	T_{2B}	Nm	280	280	350	350	352	352	200	352	250	350	318	
		in.lb	2478	2478	3098	3098	3115	3115	1770	3115	2213	3098	2815	
Nominal torque (at n_n)	T_{2N}	Nm	170	170	170	170	170	170	160	170	170	170	120	
		in.lb	1505	1505	1505	1505	1505	1505	1416	1505	1505	1505	1062	
Emergency stop torque ^{a) b)} (permitted 1000 times during the service life of the gearbox)	T_{2Not}	Nm	380	460	575	575	625	625	400	625	500	625	625	
		in.lb	3363	4071	5089	5089	5532	5532	3540	5532	4425	5532	5532	
Permitted average input speed (at T_{2a} and 20 °C ambient temperature) ^{d)}	n_{1N}	n_{1T}	2000	2400	2400	2700	2400	2500	2500	2500	2500	2500	2500	
Max. input speed	n_{1Max}	rpm	7500	7500	7500	7500	7500	7500	7500	7500	7500	7500	7500	
Mean no load running torque ^{b)} (at $n_1 = 3000$ rpm and 20 °C gearbox temperature)	T_{012}	Nm	2.5	2.1	2	1.8	2	2.2	2	2.2	2	2	2	
		in.lb	22	19	18	16	18	19	18	19	18	18	18	
Max. backlash	j_t	arcmin	Standard ≤ 4 / Reduced ≤ 2											
Torsional rigidity ^{b)}	C_{t21}	Nm/arcmin	40	42	53	55	59	60	44	60	55	60	56	
		in.lb/arcmin	354	372	469	487	522	531	389	531	487	531	496	
Tilting rigidity	C_{2K}	Nm/arcmin	550											
		in.lb/arcmin	4868											
Max. axial force ^{c)}	F_{2AMax}	N	4800											
		lb _f	1080											
Max. tilting moment	M_{2KMax}	Nm	440											
		in.lb	3894											
Efficiency at full load	η	%	94											
Service life	L_h	h	> 20000											
Weight (incl. standard adapter plate)	m	kg	9											
		lb _m	20											
Operating noise (at reference ratio and reference speed – ratio-specific values available in cymex [®])	L_{PA}	dB(A)	≤ 68											
		°C	+90											
Max. permitted housing temperature		F	194											
		°C	0 to +40											
Ambient temperature		F	32 to 104											
Lubrication			Lubricated for life											
Direction of rotation			In- and output opposite direction											
Protection class			IP 65											
Metal bellows coupling (recommended product type – validate sizing with cymex [®])			BCT - 00150AAX - 063.000											
Bore diameter of coupling on the application side		mm	X = 019.000 - 042.000											
Mass moment of inertia (relates to the drive)	E 19	J_1	kgcm ²	1.43	1.18	1.16	1.04	1.14	0.94	0.89	0.95	0.89	0.89	0.89
			10 ⁻³ in.lb.s ²	1.27	1.04	1.03	0.92	1.01	0.83	0.79	0.84	0.79	0.79	0.79
Clamping hub diameter [mm]	H 28	J_1	kgcm ²	2.85	2.59	2.57	2.45	2.56	2.4	2.31	2.37	2.3	2.3	2.3
			10 ⁻³ in.lb.s ²	2.52	2.29	2.27	2.17	2.27	2.12	2.04	2.1	2.04	2.04	2.04

Please use our sizing software cymex[®] for a detailed sizing – www.wittenstein-cymex.com
Please contact us for optimum sizing at S1 conditions (Continuous operation).

^{a)} At max. 10 % M_{2KMax}

^{b)} Valid for standard clamping hub diameter

^{c)} Refers to center of the output shaft or flange

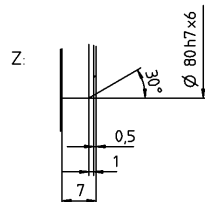
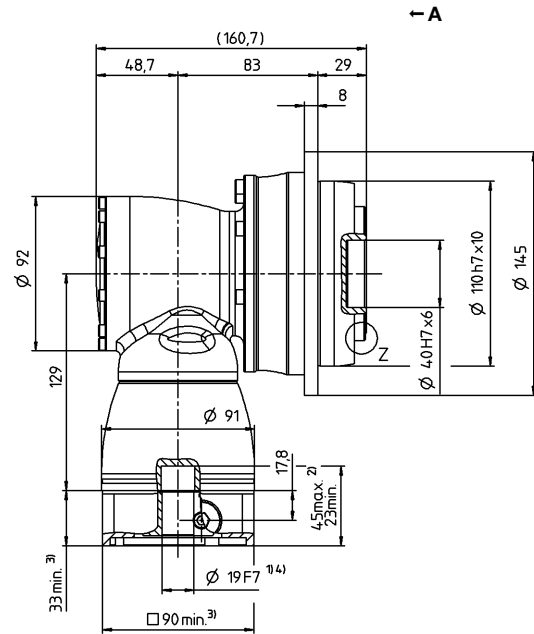
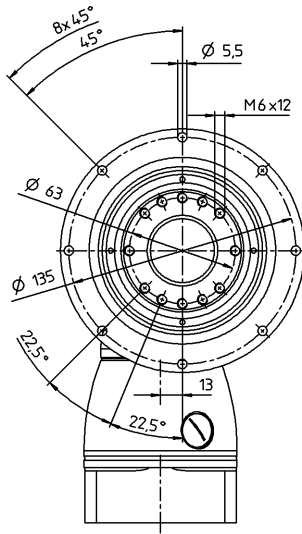
^{d)} Please reduce input speed at higher ambient temperatures

View A

Motor shaft diameter [mm]

2-stage

up to 19/28⁴⁾
(E⁵⁾/H) clamping
hub diameter



See technical data sheet for available clamping hub diameters (mass moment of inertia). Dimensions available on request.

Non-tolerated dimensions are nominal dimensions
¹⁾ Check motor shaft fit

²⁾ Min./Max. permissible motor shaft length. Longer motor shafts are possible, please contact alpha.

³⁾ The dimensions depend on the motor

⁴⁾ Smaller motor shaft diameter is compensated by a bushing with a minimum thickness of 1 mm

⁵⁾ Standard clamping hub diameter

TPK+ 025 MF 3-stage

			3-stage														
Ratio	<i>i</i>		64	84	100	125	140	175	200	250	280	350	400	500	700	1000	
Max. torque ^{a) b)}	T_{2a}	Nm	336	336	380	380	380	380	380	380	352	352	240	300	352	352	
		in.lb	2974	2974	3363	3363	3363	3363	3363	3363	3115	3115	2124	2655	3115	3115	
Max. acceleration torque ^{b)} (max. 1000 cycles per hour)	T_{2B}	Nm	280	280	350	350	350	350	350	350	352	352	200	250	350	318	
		in.lb	2478	2478	3098	3098	3098	3098	3098	3098	3115	3115	1770	2213	3098	2815	
Nominal torque (at n_n)	T_{2N}	Nm	200	170	200	200	200	200	200	200	210	200	160	200	200	120	
		in.lb	1770	1505	1770	1770	1770	1770	1770	1770	1859	1770	1416	1770	1770	1062	
Emergency stop torque ^{a) b)} (permitted 1000 times during the service life of the gearbox)	T_{2Not}	Nm	460	380	575	575	575	575	575	575	625	625	400	500	625	625	
		in.lb	4071	3363	5089	5089	5089	5089	5089	5089	5532	5532	3540	4425	5532	5532	
Permitted average input speed (at T_{2a} and 20 °C ambient temperature) ^{d)}	n_{1N}	n_{1T}	3500	3500	3500	3500	3500	3500	3500	3800	3500	3800	4500	4500	4500	4500	
Max. input speed	n_{1Max}	rpm	6000	6000	6000	6000	6000	6000	6000	6000	6000	6000	6000	6000	6000	6000	
Mean no load running torque ^{b)} (at $n_i = 3000$ rpm and 20 °C gearbox temperature)	T_{012}	Nm	0.6	0.45	0.45	0.45	0.45	0.45	0.3	0.3	0.3	0.3	0.3	0.3	0.3	0.3	
		in.lb	5.3	4.0	4.0	4.0	4.0	4.0	2.7	2.7	2.7	2.7	2.7	2.7	2.7	2.7	
Max. backlash	j_t	arcmin	Standard ≤ 4 / Reduced ≤ 2														
Torsional rigidity ^{b)}	C_{t21}	Nm/arcmin	42	40	53	55	53	55	53	55	59	60	44	55	60	56	
		in.lb/arcmin	372	354	469	487	469	487	469	487	522	531	389	487	531	496	
Tilting rigidity	C_{2K}	Nm/arcmin	550														
		in.lb/arcmin	4868														
Max. axial force ^{c)}	F_{2AMax}	N	4800														
		lb _f	1080														
Max. tilting moment	M_{2KMax}	Nm	440														
		in.lb	3894														
Efficiency at full load	η	%	92														
Service life	L_h	h	> 20000														
Weight (incl. standard adapter plate)	m	kg	9.8														
		lb _m	22														
Operating noise (at reference ratio and reference speed – ratio-specific values available in cymex [®])	L_{PA}	dB(A)	≤ 68														
		°C	+90														
Max. permitted housing temperature		F	194														
		°C	0 to +40														
Ambient temperature		F	32 to 104														
Lubrication			Lubricated for life														
Direction of rotation			In- and output opposite direction														
Protection class			IP 65														
Metal bellows coupling (recommended product type – validate sizing with cymex [®])			BCT - 00150AAX - 063.000														
		Bore diameter of coupling on the application side	mm	X = 019.000 - 042.000													
Mass moment of inertia (relates to the drive)	C	14	J_1	kgcm ²	0.28	0.23	0.24	0.23	0.21	0.2	0.19	0.18	0.19	0.18	0.18	0.18	0.18
				10 ⁻³ in.lb.s ²	0.25	0.2	0.21	0.2	0.19	0.18	0.17	0.16	0.17	0.16	0.16	0.16	0.16
Clamping hub diameter [mm]	E	19	J_1	kgcm ²	0.72	0.63	0.68	0.68	0.63	0.63	0.63	0.63	0.63	0.63	0.63	0.63	0.63
				10 ⁻³ in.lb.s ²	0.64	0.56	0.6	0.6	0.56	0.56	0.56	0.56	0.56	0.56	0.56	0.56	0.56

Please use our sizing software cymex[®] for a detailed sizing – www.wittenstein-cymex.com
Please contact us for optimum sizing at S1 conditions (Continuous operation).

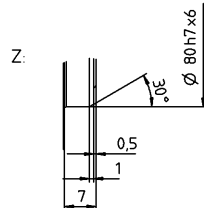
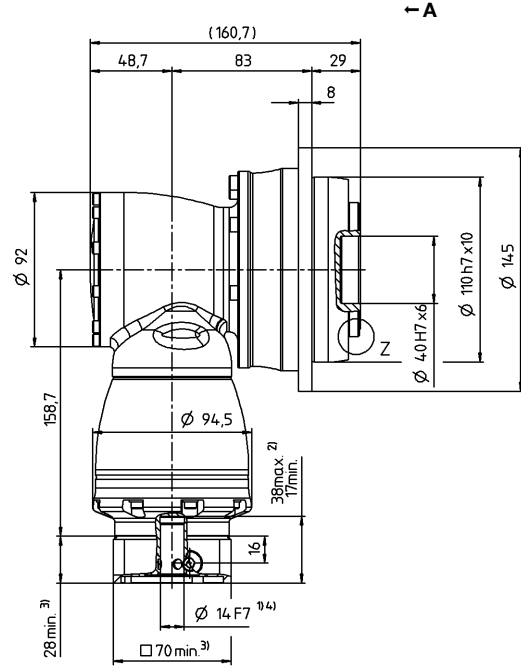
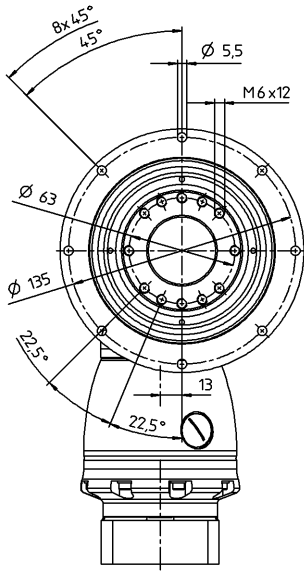
- ^{a)} At max. 10 % M_{2KMax}
- ^{b)} Valid for standard clamping hub diameter
- ^{c)} Refers to center of the output shaft or flange
- ^{d)} Please reduce input speed at higher ambient temperatures

View A

Motor shaft diameter [mm]

3-stage

up to 14/19⁴⁾
(C⁵⁾/E) clamping
hub diameter



See technical data sheet for available clamping hub diameters (mass moment of inertia). Dimensions available on request.

Non-tolerated dimensions are nominal dimensions
1) Check motor shaft fit

2) Min./Max. permissible motor shaft length. Longer motor shafts are possible, please contact alpha.

3) The dimensions depend on the motor

4) Smaller motor shaft diameter is compensated by a bushing with a minimum thickness of 1 mm

5) Standard clamping hub diameter

TPK+ 050 MF 2-stage

			2-stage												
Ratio	<i>i</i>		12	16	20	25	28	35	40	49	50	70	100		
Max. torque ^{a) b)}	T_{2a}	Nm	816	816	992	992	868	868	500	868	625	868	720		
		in.lb	7222	7222	8780	8780	7682	7682	4425	7682	5532	7682	6373		
Max. acceleration torque ^{b)} (max. 1000 cycles per hour)	T_{2B}	Nm	680	680	840	840	840	840	500	840	625	840	648		
		in.lb	6019	6019	7435	7435	7435	7435	4425	7435	5532	7435	5735		
Nominal torque (at n_n)	T_{2N}	Nm	370	370	370	370	370	370	320	370	370	370	240		
		in.lb	3275	3275	3275	3275	3275	3275	2832	3275	3275	3275	2124		
Emergency stop torque ^{a) b)} (permitted 1000 times during the service life of the gearbox)	T_{2Not}	Nm	880	1040	1250	1250	1250	1250	1000	1250	1250	1250	1250		
		in.lb	7789	9205	11064	11064	11064	11064	8851	11064	11064	11064	11064		
Permitted average input speed (at T_{2a} and 20 °C ambient temperature) ^{d)}	n_{1N}	n_{1T}	1900	2300	2300	2600	2300	2300	2300	2300	2300	2300	2300		
Max. input speed	n_{1Max}	rpm	5500	5500	5500	5500	5500	5500	5500	5500	5500	5500	5500		
Mean no load running torque ^{b)} (at $n_i = 3000$ rpm and 20 °C gearbox temperature)	T_{012}	Nm	5.6	4.3	4.2	3.4	4.1	4.7	3.3	4.1	3.3	3.3	3.3		
		in.lb	50	38	37	30	36	42	29	36	29	29	29		
Max. backlash	j_t	arcmin	Standard ≤ 4 / Reduced ≤ 2												
Torsional rigidity ^{b)}	C_{t21}	Nm/arcmin	87	91	111	119	123	127	96	127	115	125	112		
		in.lb/arcmin	770	805	982	1053	1089	1124	850	1124	1018	1106	991		
Tilting rigidity	C_{2K}	Nm/arcmin	560												
		in.lb/arcmin	4956												
Max. axial force ^{c)}	F_{2AMax}	N	6130												
		lb _f	1379												
Max. tilting moment	M_{2KMax}	Nm	1335												
		in.lb	11816												
Efficiency at full load	η	%	94												
Service life	L_h	h	> 20000												
Weight (incl. standard adapter plate)	m	kg	17												
		lb _m	38												
Operating noise (at reference ratio and reference speed – ratio-specific values available in cymex [®])	L_{PA}	dB(A)	≤ 68												
		°C	+90												
Max. permitted housing temperature		F	194												
		°C	0 to +40												
Ambient temperature		F	32 to 104												
Lubrication			Lubricated for life												
Direction of rotation			In- and output opposite direction												
Protection class			IP 65												
Metal bellows coupling (recommended product type – validate sizing with cymex [®])			BCT - 00300AAX - 080.000												
		Bore diameter of coupling on the application side	mm	X = 024.000 - 060.000											
Mass moment of inertia (relates to the drive)	H	28	J_1	kgcm ²	4.56	3.76	3.71	3.28	3.66	3	2.79	3.1	2.78	2.77	2.77
				10 ⁻³ in.lb.s ²	4.04	3.33	3.28	2.9	3.24	2.66	2.47	2.74	2.46	2.45	2.45
Clamping hub diameter [mm]	K	38	J_1	kgcm ²	11.7	10.9	10.9	10.4	10.8	10.3	9.95	10.4	9.94	9.94	9.94
				10 ⁻³ in.lb.s ²	10.35	9.65	9.65	9.2	9.56	9.12	8.81	9.2	8.8	8.8	8.8

Please use our sizing software cymex[®] for a detailed sizing – www.wittenstein-cymex.com
Please contact us for optimum sizing at S1 conditions (Continuous operation).

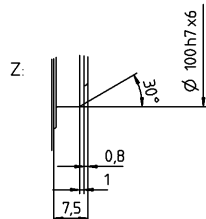
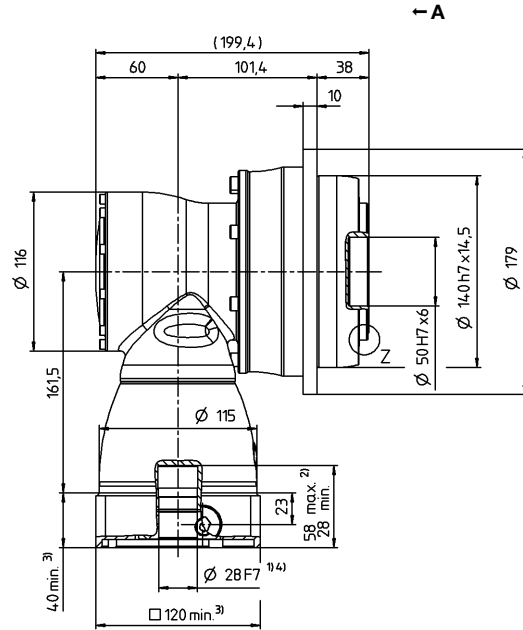
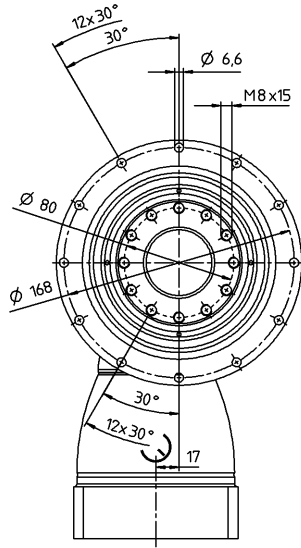
- ^{a)} At max. 10 % M_{2KMax}
- ^{b)} Valid for standard clamping hub diameter
- ^{c)} Refers to center of the output shaft or flange
- ^{d)} Please reduce input speed at higher ambient temperatures

View A

Motor shaft diameter [mm]

2-stage

up to 28/38⁴⁾
(H⁵⁾/K) clamping
hub diameter



See technical data sheet for available clamping hub diameters (mass moment of inertia). Dimensions available on request.

Non-tolerated dimensions are nominal dimensions
1) Check motor shaft fit

2) Min./Max. permissible motor shaft length. Longer motor shafts are possible, please contact alpha.

3) The dimensions depend on the motor

4) Smaller motor shaft diameter is compensated by a bushing with a minimum thickness of 1 mm

5) Standard clamping hub diameter

TPK+ 050 MF 3-stage

			3-stage													
Ratio	<i>i</i>		64	84	100	125	140	175	200	250	280	350	400	500	700	1000
Max. torque ^{a) b)}	T_{2a}	Nm	816	816	992	992	992	992	992	992	868	868	600	750	868	720
		in.lb	7222	7222	8780	8780	8780	8780	8780	8780	7682	7682	5310	6638	7682	6373
Max. acceleration torque ^{b)} (max. 1000 cycles per hour)	T_{2B}	Nm	680	680	840	840	840	840	840	840	840	840	500	625	840	648
		in.lb	6019	6019	7435	7435	7435	7435	7435	7435	7435	7435	4425	5532	7435	5735
Nominal torque (at n_n)	T_{2N}	Nm	400	400	400	400	400	400	400	400	400	400	320	370	400	240
		in.lb	3540	3540	3540	3540	3540	3540	3540	3540	3540	3540	2832	3275	3540	2124
Emergency stop torque ^{a) b)} (permitted 1000 times during the service life of the gearbox)	T_{2Not}	Nm	1040	880	1250	1250	1250	1250	1250	1250	1250	1250	1000	1250	1250	1250
		in.lb	9205	7789	11064	11064	11064	11064	11064	11064	11064	11064	8851	11064	11064	11064
Permitted average input speed (at T_{2a} and 20 °C ambient temperature) ^{d)}	n_{1N}	n_{1T}	3100	3100	3100	3100	3100	3100	3100	3500	3100	3500	4200	4200	4200	4200
Max. input speed	n_{1Max}	rpm	4500	4500	4500	4500	4500	4500	4500	4500	4500	4500	4500	4500	4500	4500
Mean no load running torque ^{b)} (at $n_1 = 3000$ rpm and 20 °C gearbox temperature)	T_{012}	Nm	1.1	0.9	0.9	0.75	0.75	0.6	0.45	0.45	0.45	0.45	0.45	0.45	0.45	0.45
		in.lb	9.7	8.0	8.0	6.6	6.6	5.3	4.0	4.0	4.0	4.0	4.0	4.0	4.0	4.0
Max. backlash	j_t	arcmin	Standard ≤ 4 / Reduced ≤ 2													
Torsional rigidity ^{b)}	C_{t21}	Nm/arcmin	91	87	111	119	111	119	111	119	123	127	95	115	125	112
		in.lb/arcmin	805	770	982	1053	982	1053	982	1053	1089	1124	841	1018	1106	991
Tilting rigidity	C_{2K}	Nm/arcmin	560													
		in.lb/arcmin	4956													
Max. axial force ^{c)}	F_{2AMax}	N	6130													
		lb _f	1379													
Max. tilting moment	M_{2KMax}	Nm	1335													
		in.lb	11816													
Efficiency at full load	η	%	92													
Service life	L_h	h	> 20000													
Weight (incl. standard adapter plate)	m	kg	18.7													
		lb _m	41													
Operating noise (at reference ratio and reference speed – ratio-specific values available in cymex [®])	L_{PA}	dB(A)	≤ 68													
		°C	+90													
Max. permitted housing temperature		F	194													
		°C	0 to +40													
Ambient temperature		F	32 to 104													
Lubrication			Lubricated for life													
Direction of rotation			In- and output opposite direction													
Protection class			IP 65													
Metal bellows coupling (recommended product type – validate sizing with cymex [®])			BCT - 00300AAX - 080.000													
Bore diameter of coupling on the application side		mm	X = 024.000 - 060.000													
Mass moment of inertia (relates to the drive)	E 19	J_1	kgcm ²	1.01	0.76	0.88	0.85	0.76	0.75	0.7	0.69	0.7	0.69	0.69	0.69	0.69
			10 ⁻³ in.lb.s ²	0.89	0.67	0.78	0.75	0.67	0.66	0.62	0.61	0.62	0.61	0.61	0.61	0.61
Clamping hub diameter [mm]	G 24	J_1	kgcm ²	2.57	2.32	2.44	2.42	2.32	2.31	2.26	2.25	2.26	2.25	2.25	2.25	2.25
			10 ⁻³ in.lb.s ²	2.27	2.05	2.16	2.14	2.05	2.04	2	1.99	2	1.99	1.99	1.99	1.99

Please use our sizing software cymex[®] for a detailed sizing – www.wittenstein-cymex.com
Please contact us for optimum sizing at S1 conditions (Continuous operation).

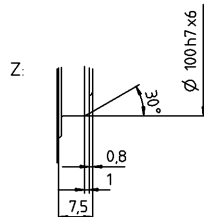
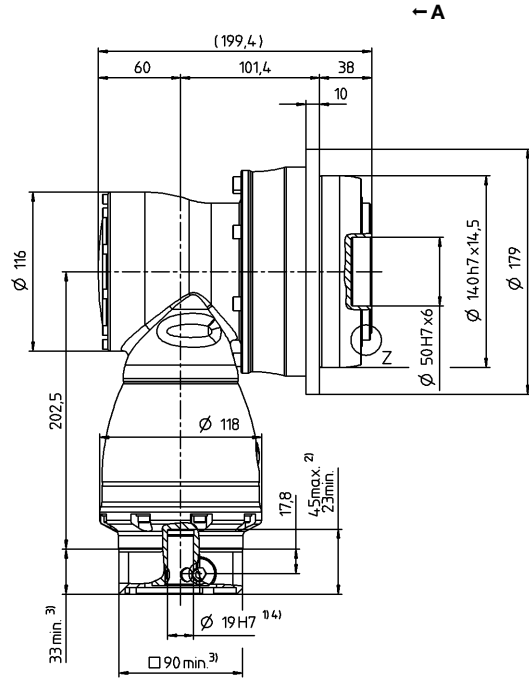
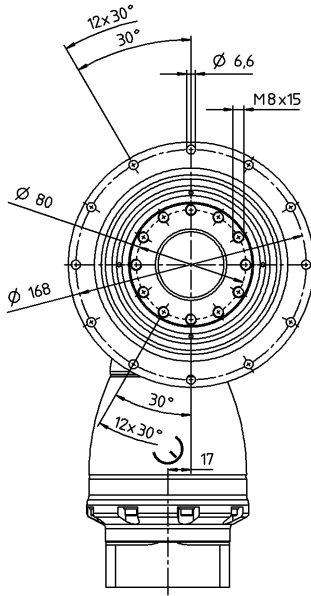
- ^{a)} At max. 10 % M_{2KMax}
- ^{b)} Valid for standard clamping hub diameter
- ^{c)} Refers to center of the output shaft or flange
- ^{d)} Please reduce input speed at higher ambient temperatures

View A

Motor shaft diameter [mm]

3-stage

up to 19/24⁴⁾
(E⁵⁾/G) clamping
hub diameter



See technical data sheet for available clamping hub diameters (mass moment of inertia). Dimensions available on request.

Non-tolerated dimensions are nominal dimensions

¹⁾ Check motor shaft fit

²⁾ Min./Max. permissible motor shaft length. Longer motor shafts are possible, please contact alpha.

³⁾ The dimensions depend on the motor

⁴⁾ Smaller motor shaft diameter is compensated by a bushing with a minimum thickness of 1 mm

⁵⁾ Standard clamping hub diameter

Hypoid gearboxes

TPK+

MF

TPK+ 110 MF 2-stage

			2-stage												
Ratio	i		12	16	20	25	28	35	40	49	50	70	100		
Max. torque ^{a) b)}	T_{2a}	Nm	1440	1440	1800	1800	2520	2520	840	1750	1050	1470	2100		
		in.lb	12745	12745	15931	15931	22304	22304	7435	15489	9293	13011	18587		
Max. acceleration torque ^{b)} (max. 1000 cycles per hour)	T_{2B}	Nm	1200	1200	1500	1500	1920	1920	840	1750	1050	1470	1680		
		in.lb	10621	10621	13276	13276	16994	16994	7435	15489	9293	13011	14869		
Nominal torque (at n_n)	T_{2N}	Nm	700	700	750	750	750	750	640	750	750	750	750		
		in.lb	6196	6196	6638	6638	6638	6638	5665	6638	6638	6638	6638		
Emergency stop torque ^{a) b)} (permitted 1000 times during the service life of the gearbox)	T_{2Not}	Nm	1600	2000	2500	2500	3075	3075	1600	3075	2000	2800	3075		
		in.lb	14161	17702	22127	22127	27216	27216	14161	27216	17702	24782	27216		
Permitted average input speed (at T_{2a} and 20 °C ambient temperature) ^{d)}	n_{1N}	n_{1T}	1600	1900	1900	2100	1900	2100	2100	2100	2100	2100	2100		
Max. input speed	n_{1Max}	rpm	5000	5000	5000	5000	5000	5000	5000	5000	5000	5000	5000		
Mean no load running torque ^{b)} (at $n_1 = 3000$ rpm and 20 °C gearbox temperature)	T_{012}	Nm	12	8.9	8.9	5.5	8.2	8	7.5	10	7.5	7.4	7.4		
		in.lb	106	79	79	49	73	71	66	89	66	65	65		
Max. backlash	j_t	arcmin	Standard ≤ 4 / Reduced ≤ 2												
Torsional rigidity ^{b)}	C_{t21}	Nm/arcmin	253	269	336	346	400	407	274	410	341	404	389		
		in.lb/arcmin	2239	2381	2974	3062	3540	3602	2425	3629	3018	3576	3443		
Tilting rigidity	C_{2K}	Nm/arcmin	1452												
		in.lb/arcmin	12851												
Max. axial force ^{c)}	F_{2AMax}	N	10050												
		lb _f	2261												
Max. tilting moment	M_{2KMax}	Nm	3280												
		in.lb	29030												
Efficiency at full load	η	%	94												
Service life	L_h	h	> 20000												
Weight (incl. standard adapter plate)	m	kg	41												
		lb _m	91												
Operating noise (at reference ratio and reference speed – ratio-specific values available in cymex [®])	L_{PA}	dB(A)	≤ 70												
Max. permitted housing temperature		°C	+90												
		F	194												
Ambient temperature		°C	0 to +40												
		F	32 to 104												
Lubrication			Lubricated for life												
Direction of rotation			In- and output opposite direction												
Protection class			IP 65												
Metal bellows coupling (recommended product type – validate sizing with cymex [®])			BCT - 01500AAX - 125.000												
Bore diameter of coupling on the application side		mm	X = 050.000 - 080.000												
Mass moment of inertia (relates to the drive) Clamping hub diameter [mm]	K	38	J_1	kgcm ²	24.3	19	18.7	16.1	18.5	15.7	12.8	17.5	12.7	12.7	12.7
				10 ⁻³ in.lb.s ²	21.51	16.82	16.55	14.25	16.37	13.89	11.33	15.49	11.24	11.24	11.24

Please use our sizing software cymex[®] for a detailed sizing – www.wittenstein-cymex.com
Please contact us for optimum sizing at S1 conditions (Continuous operation).

^{a)} At max. 10 % M_{2KMax}

^{b)} Valid for standard clamping hub diameter

^{c)} Refers to center of the output shaft or flange

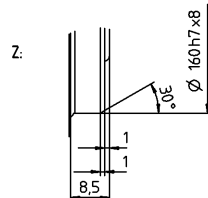
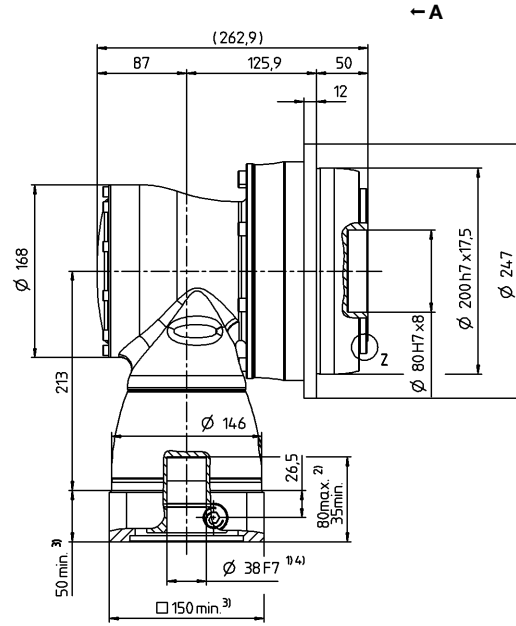
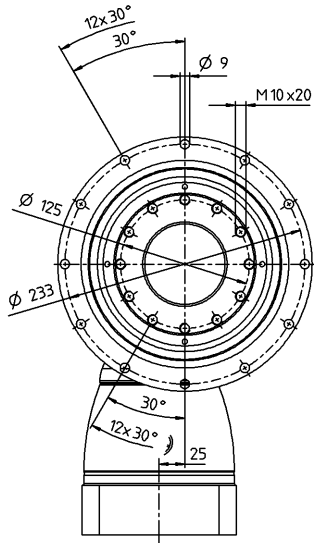
^{d)} Please reduce input speed at higher ambient temperatures

View A

Motor shaft diameter [mm]

2-stage

up to 38⁴⁾ (K)⁵⁾
clamping hub diameter



See technical data sheet for available clamping hub diameters (mass moment of inertia). Dimensions available on request.

- Non-tolerated dimensions are nominal dimensions
- ¹⁾ Check motor shaft fit
- ²⁾ Min./Max. permissible motor shaft length. Longer motor shafts are possible, please contact alpha.
- ³⁾ The dimensions depend on the motor
- ⁴⁾ Smaller motor shaft diameter is compensated by a bushing with a minimum thickness of 1 mm
- ⁵⁾ Standard clamping hub diameter

TPK+ 110 MF 3-stage

				3-stage													
Ratio	i			64	84	100	125	140	175	200	250	280	350	400	500	700	1000
Max. torque ^{a) b)}	T_{2a}	Nm		1440	1440	1800	1800	1800	1800	1800	1800	2520	2520	1008	1260	1764	2240
		$in.lb$		12745	12745	15931	15931	15931	15931	15931	15931	22304	22304	8922	11152	15613	19826
Max. acceleration torque ^{b)} (max. 1000 cycles per hour)	T_{2B}	Nm		1200	1200	1500	1500	1500	1500	1500	1500	1920	1920	840	1050	1470	1680
		$in.lb$		10621	10621	13276	13276	13276	13276	13276	13276	16994	16994	7435	9293	13011	14869
Nominal torque (at n_n)	T_{2N}	Nm		700	700	950	950	950	950	950	950	1120	1250	640	750	1120	800
		$in.lb$		6196	6196	8408	8408	8408	8408	8408	8408	9913	11064	5665	6638	9913	7081
Emergency stop torque ^{a) b)} (permitted 1000 times during the service life of the gearbox)	T_{2Not}	Nm		2000	1600	2500	2500	2500	2500	2500	2500	3075	3075	1600	2000	2800	3075
		$in.lb$		17702	14161	22127	22127	22127	22127	22127	22127	27216	27216	14161	17702	24782	27216
Permitted average input speed (at T_{2a} and 20 °C ambient temperature) ^{d)}	n_{1N}	n_{1T}		2900	2900	2900	2900	2900	2900	2900	3200	2900	3200	3900	3900	3900	3900
Max. input speed	n_{1Max}	rpm		4500	4500	4500	4500	4500	4500	4500	4500	4500	4500	4500	4500	4500	4500
Mean no load running torque ^{b)} (at $n_i = 3000 rpm$ and 20 °C gearbox temperature)	T_{012}	Nm		3	1.5	2.4	1.8	1.8	1.5	1.5	1.2	1.5	1.2	1.2	1.2	1.2	1.2
		$in.lb$		27	13	21	16	16	13	13	11	13	11	11	11	11	11
Max. backlash	j_t	$arcmin$		Standard ≤ 4 / Reduced ≤ 2													
Torsional rigidity ^{b)}	C_{t21}	$Nm/arcmin$		269	252	336	346	336	346	336	346	400	407	274	341	404	389
		$in.lb/arcmin$		2381	2230	2974	3062	2974	3062	2974	3062	3540	3602	2425	3018	3576	3443
Tilting rigidity	C_{2K}	$Nm/arcmin$		1452													
		$in.lb/arcmin$		12851													
Max. axial force ^{c)}	F_{2AMax}	N		10050													
		lb_f		2261													
Max. tilting moment	M_{2KMax}	Nm		3280													
		$in.lb$		29030													
Efficiency at full load	η	%		92													
Service life	L_h	h		> 20000													
Weight (incl. standard adapter plate)	m	kg		45.4													
		lb_m		100													
Operating noise (at reference ratio and reference speed – ratio-specific values available in cymex [®])	L_{PA}	$dB(A)$		≤ 70													
				+90													
Max. permitted housing temperature		°C		+90													
		F		194													
Ambient temperature		°C		0 to +40													
		F		32 to 104													
Lubrication				Lubricated for life													
Direction of rotation				In- and output opposite direction													
Protection class				IP 65													
Metal bellows coupling (recommended product type – validate sizing with cymex [®])				BCT - 01500AAX - 125.000													
Bore diameter of coupling on the application side		mm		X = 050.000 - 080.000													
Mass moment of inertia (relates to the drive)	G	24	J_1	$kgcm^2$	3.97	2.82	3.36	3.22	2.82	2.75	2.5	2.47	2.5	2.44	2.42	2.42	2.42
				$10^{-3} in.lb.s^2$	3.51	2.5	2.97	2.85	2.5	2.43	2.21	2.19	2.21	2.16	2.14	2.14	2.14
Clamping hub diameter [mm]	K	38	J_1	$kgcm^2$	10.9	9.74	10.3	10.1	9.74	9.66	9.41	9.38	9.41	9.38	9.33	9.33	9.33
				$10^{-3} in.lb.s^2$	9.65	8.62	9.12	8.94	8.62	8.55	8.33	8.3	8.33	8.3	8.26	8.26	8.26

Please use our sizing software cymex[®] for a detailed sizing – www.wittenstein-cymex.com
Please contact us for optimum sizing at S1 conditions (Continuous operation).

^{a)} At max. 10 % M_{2KMax}

^{b)} Valid for standard clamping hub diameter

^{c)} Refers to center of the output shaft or flange

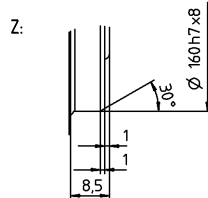
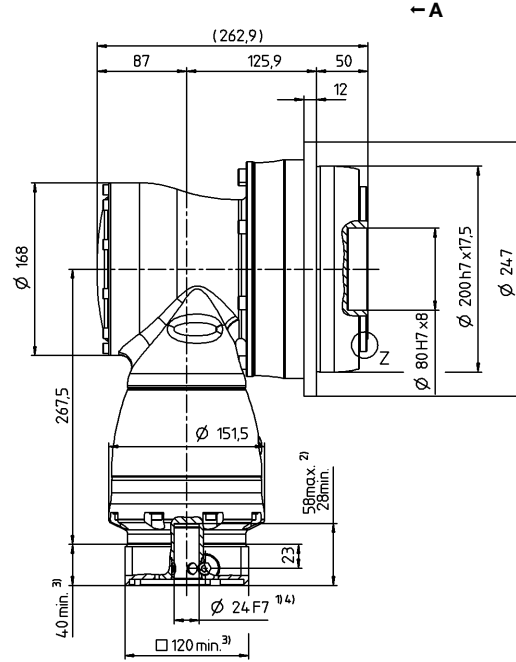
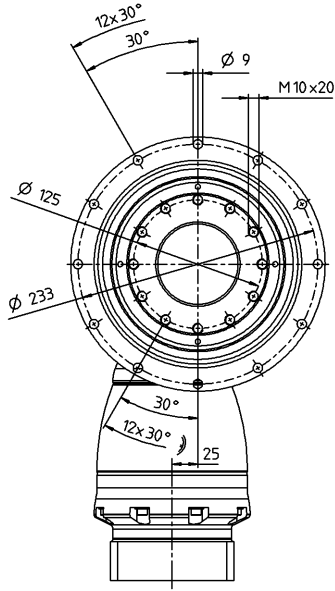
^{d)} Please reduce input speed at higher ambient temperatures

View A

Motor shaft diameter [mm]

3-stage

up to 24 / 38⁴⁾
(G⁵⁾ / K) clamping
hub diameter



See technical data sheet for available clamping hub diameters (mass moment of inertia). Dimensions available on request.

- Non-tolerated dimensions are nominal dimensions
- ¹⁾ Check motor shaft fit
- ²⁾ Min./Max. permissible motor shaft length. Longer motor shafts are possible, please contact alpha.
- ³⁾ The dimensions depend on the motor
- ⁴⁾ Smaller motor shaft diameter is compensated by a bushing with a minimum thickness of 1 mm
- ⁵⁾ Standard clamping hub diameter

TPK+ 300 MF 2-stage

			2-stage									
Ratio	<i>i</i>		15	20	25	35	49	50	70	100		
Max. torque ^{a) b)}	T_{2a}	Nm	3840	3840	3840	5250	3840	2350	3290	2800		
		in.lb	33987	33987	33987	46467	33987	20799	29119	24782		
Max. acceleration torque ^{b)} (max. 1000 cycles per hour)	T_{2B}	Nm	3200	3200	3200	3960	3850	2350	3290	2280		
		in.lb	28323	28323	28323	35049	34076	20799	29119	20180		
Nominal torque (at n_n)	T_{2N}	Nm	2000	2000	2000	1800	1800	1800	1800	1600		
		in.lb	17702	17702	17702	15931	15931	15931	15931	14161		
Emergency stop torque ^{a) b)} (permitted 1000 times during the service life of the gearbox)	T_{2Not}	Nm	4500	5250	5250	7350	6790	4500	6300	8750		
		in.lb	39829	46467	46467	65053	60097	39829	55760	77445		
Permitted average input speed (at T_{2a} and 20 °C ambient temperature) ^{d)}	n_{1N}	n_{1T}	1500	1700	1900	1900	1700	1700	1700	1700		
Max. input speed	n_{1Max}	rpm	4500	4500	4500	4500	4500	4500	4500	4500		
Mean no load running torque ^{b)} (at $n_1 = 3000$ rpm and 20 °C gearbox temperature)	T_{012}	Nm	24	19	15	14	17	21	17	16		
		in.lb	212	168	133	124	150	186	150	142		
Max. backlash	j_t	arcmin	Standard ≤ 4 / Reduced ≤ 2									
Torsional rigidity ^{b)}	C_{t21}	Nm/arcmin	615	640	664	730	728	658	727	642		
		in.lb/arcmin	5443	5665	5877	6461	6443	5824	6435	5682		
Tilting rigidity	C_{2K}	Nm/arcmin	5560									
		in.lb/arcmin	49210									
Max. axial force ^{c)}	F_{2AMax}	N	33000									
		lb _f	7425									
Max. tilting moment	M_{2KMax}	Nm	5900									
		in.lb	52220									
Efficiency at full load	η	%	94									
Service life	L_h	h	> 20000									
Weight (incl. standard adapter plate)	m	kg	83									
		lb _m	183									
Operating noise (at reference ratio and reference speed – ratio-specific values available in cymex [®])	L_{PA}	dB(A)	≤ 71									
Max. permitted housing temperature		°C	+90									
		F	194									
Ambient temperature		°C	0 to +40									
		F	32 to 104									
Lubrication			Lubricated for life									
Direction of rotation			In- and output opposite direction									
Protection class			IP 65									
Metal bellows coupling (recommended product type – validate sizing with cymex [®])			-									
Bore diameter of coupling on the application side		mm	-									
Mass moment of inertia (relates to the drive) Clamping hub diameter [mm]	M	48	J_1	kgcm ²	74	52	43	43	35	30	30	30
				10 ⁻³ in.lb.s ²	65.49	46.02	38.06	38.06	30.98	26.55	26.55	26.55

Please use our sizing software cymex[®] for a detailed sizing – www.wittenstein-cymex.com
Please contact us for optimum sizing at S1 conditions (Continuous operation).

^{a)} At max. 10 % M_{2KMax}

^{b)} Valid for standard clamping hub diameter

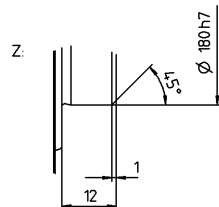
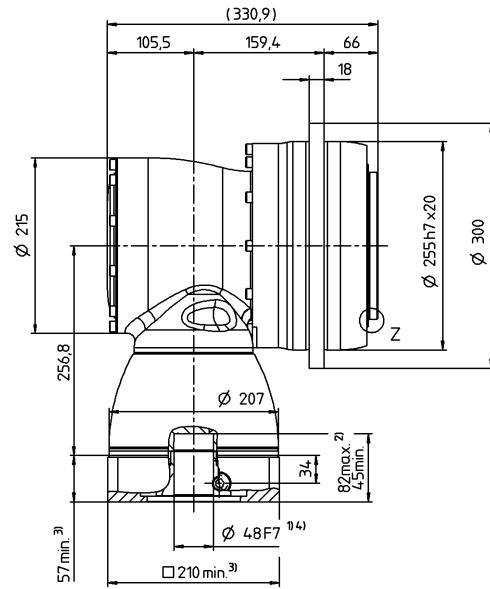
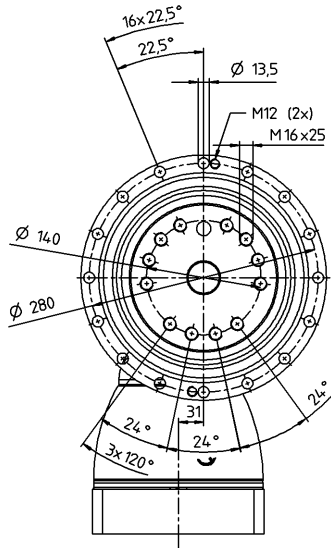
^{c)} Refers to center of the output shaft or flange

^{d)} Please reduce input speed at higher ambient temperatures

Motor shaft diameter [mm]

2-stage

up to 48⁴⁾ (M)⁵⁾
clamping hub diameter



See technical data sheet for available clamping hub diameters (mass moment of inertia). Dimensions available on request.

- Non-tolerated dimensions are nominal dimensions
- ¹⁾ Check motor shaft fit
- ²⁾ Min./Max. permissible motor shaft length. Longer motor shafts are possible, please contact alpha.
- ³⁾ The dimensions depend on the motor
- ⁴⁾ Smaller motor shaft diameter is compensated by a bushing with a minimum thickness of 1 mm
- ⁵⁾ Standard clamping hub diameter

TPK+ 300 MF 3-stage

			3-stage													
Ratio	<i>i</i>		63	100	125	140	175	200	250	280	350	500	700	1000		
Max. torque ^{a) b)}	T_{2a}	Nm	5250	3840	3840	3840	3840	3840	3840	5250	5250	2820	3948	2800		
		in.lb	46467	33987	33987	33987	33987	33987	33987	33987	46467	46467	24959	34943	24782	
Max. acceleration torque ^{b)} (max. 1000 cycles per hour)	T_{2B}	Nm	3960	3200	3200	3200	3200	3200	3200	3960	3960	2350	3290	2280		
		in.lb	35049	28323	28323	28323	28323	28323	28323	28323	35049	35049	20799	29119	20180	
Nominal torque (at n_n)	T_{2N}	Nm	1800	2000	2000	2000	2000	2000	2000	1800	1800	1800	1800	1600		
		in.lb	15931	17702	17702	17702	17702	17702	17702	17702	15931	15931	15931	15931	14161	
Emergency stop torque ^{a) b)} (permitted 1000 times during the service life of the gearbox)	T_{2Not}	Nm	6300	5250	5250	5250	5250	5250	5250	7350	7350	4500	6300	8750		
		in.lb	55760	46467	46467	46467	46467	46467	46467	46467	65053	65053	39829	55760	77445	
Permitted average input speed (at T_{2a} and 20 °C ambient temperature) ^{d)}	n_{1N}	n_{1T}	2700	2700	2700	2700	2700	2700	2900	2700	2900	3400	3400	3400		
Max. input speed	n_{1Max}	rpm	4000	4000	4000	4000	4000	4000	4000	4000	4000	4000	4000	4000		
Mean no load running torque ^{b)} (at $n_1 = 3000$ rpm and 20 °C gearbox temperature)	T_{012}	Nm	11	6	5	4.2	3.8	3	2.8	2.6	2.4	2.2	2.2	2		
		in.lb	97	53	44	37	34	27	25	23	21	19	19	18		
Max. backlash	j_t	arcmin	Standard ≤ 4 / Reduced ≤ 2													
Torsional rigidity ^{b)}	C_{t21}	Nm/arcmin	699	640	664	640	664	640	664	715	730	658	727	642		
		in.lb/arcmin	6187	5665	5877	5665	5877	5665	5877	6328	6461	5824	6435	5682		
Tilting rigidity	C_{2K}	Nm/arcmin	5560													
		in.lb/arcmin	49210													
Max. axial force ^{c)}	F_{2AMax}	N	33000													
		lb _f	7425													
Max. tilting moment	M_{2KMax}	Nm	5900													
		in.lb	52220													
Efficiency at full load	η	%	92													
Service life	L_h	h	> 20000													
Weight (incl. standard adapter plate)	<i>m</i>	kg	87													
		lb _m	192													
Operating noise (at reference ratio and reference speed – ratio-specific values available in cymex [®])	L_{PA}	dB(A)	≤ 71													
		°C	+90													
Max. permitted housing temperature	<i>F</i>	°C	194													
		°C	0 to +40													
Ambient temperature	<i>F</i>	°C	32 to 104													
		°C	32 to 104													
Lubrication			Lubricated for life													
Direction of rotation			In- and output opposite direction													
Protection class			IP 65													
Metal bellows coupling (recommended product type – validate sizing with cymex [®])			-													
Bore diameter of coupling on the application side		mm	-													
Mass moment of inertia (relates to the drive)	K	38	J_1	kgcm ²	17.8	14.1	12.1	11	10.8	10.2	10.1	10.1	10	9.9	9.9	9.9
				10 ⁻³ in.lb.s ²	15.75	12.48	10.71	9.74	9.56	9.03	8.94	8.94	8.85	8.76	8.76	8.76
Clamping hub diameter [mm]	M	48	J_1	kgcm ²	32.5	28.8	26.8	25.7	25.5	24.9	24.8	24.9	24.8	24.6	24.6	24.6
				10 ⁻³ in.lb.s ²	28.76	25.49	23.72	22.74	22.57	22.04	21.95	22.04	21.95	21.77	21.77	21.77

Please use our sizing software cymex[®] for a detailed sizing – www.wittenstein-cymex.com
Please contact us for optimum sizing at S1 conditions (Continuous operation).

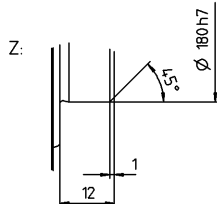
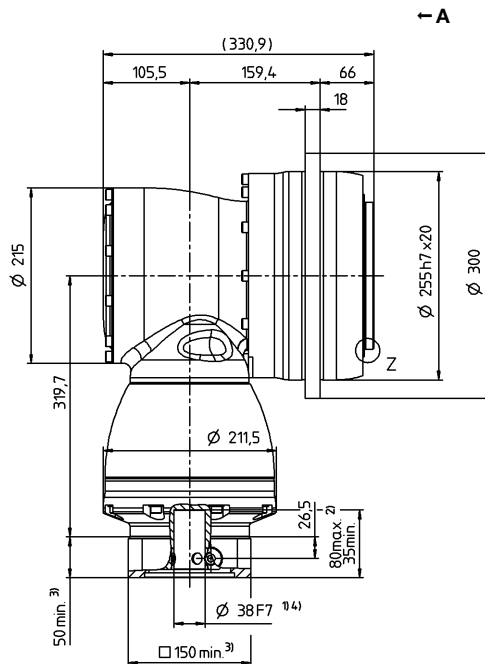
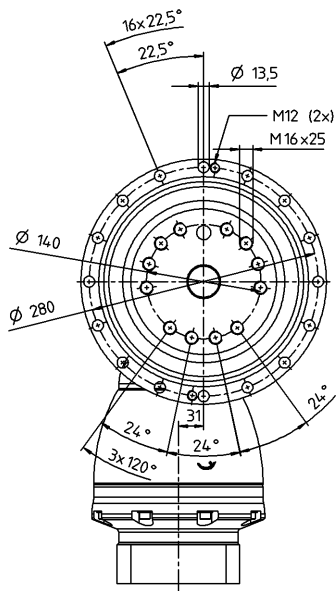
- ^{a)} At max. 10 % M_{2KMax}
- ^{b)} Valid for standard clamping hub diameter
- ^{c)} Refers to center of the output shaft or flange
- ^{d)} Please reduce input speed at higher ambient temperatures

View A

Motor shaft diameter [mm]

3-stage

up to 38 / 48⁴⁾
(K⁵⁾ / M) clamping
hub diameter



Hypoid gearboxes

TPK+

MF

See technical data sheet for available clamping hub diameters (mass moment of inertia). Dimensions available on request.

Non-tolerated dimensions are nominal dimensions

¹⁾ Check motor shaft fit

²⁾ Min. / Max. permissible motor shaft length. Longer motor shafts are possible, please contact alpha.

³⁾ The dimensions depend on the motor

⁴⁾ Smaller motor shaft diameter is compensated by a bushing with a minimum thickness of 1 mm

⁵⁾ Standard clamping hub diameter

TPK+ 500 MF 3-stage

			3-stage										
Ratio	<i>i</i>		100	125	140	175	200	250	350	500	700	1000	
Max. torque ^{a) b)}	T_{2a}	Nm	5446	6808	5200	6250	4200	5250	6808	4975	5500	4800	
		in.lb	48201	60256	46024	55318	37173	46467	60256	44033	48679	42484	
Max. acceleration torque ^{b)} (max. 1000 cycles per hour)	T_{2B}	Nm	5446	6808	5000	6250	4200	5250	6808	4975	5500	4800	
		in.lb	48201	60256	44254	55318	37173	46467	60256	44033	48679	42484	
Nominal torque (at n_n)	T_{2N}	Nm	3350	3800	3350	3800	3350	3800	3800	2900	2800	2900	
		in.lb	29650	33633	29650	33633	29650	33633	33633	25667	24782	25667	
Emergency stop torque ^{a) b)} (permitted 1000 times during the service life of the gearbox)	T_{2Not}	Nm	10000	12500	9000	11250	8000	10000	14000	15000	15000	15000	
		in.lb	88508	110635	79657	99572	70806	88508	123911	132762	132762	132762	
Permitted average input speed (at T_{2a} and 20 °C ambient temperature) ^{d)}	n_{1N}	n_{1T}	2100	2100	1900	1900	1900	1900	1900	1900	1900	1900	
Max. input speed	n_{1Max}	rpm	5000	5000	5000	5000	5000	5000	5000	5000	5000	5000	
Mean no load running torque ^{b)} (at $n_1 = 3000$ rpm and 20 °C gearbox temperature)	T_{012}	Nm	7.2	7.2	11	11	7.8	7.8	7.8	7.8	7.8	7.8	
		in.lb	64	64	97	97	69	69	69	69	69	69	
Max. backlash	j_t	arcmin	Standard ≤ 3.3 / Reduced ≤ 2.3										
Torsional rigidity ^{b)}	C_{t21}	Nm/arcmin	1250	1350	1250	1350	1250	1350	1350	1280	1240	1050	
		in.lb/arcmin	11064	11949	11064	11949	11064	11949	11949	11329	10975	9293	
Tilting rigidity	C_{2K}	Nm/arcmin	9480										
		in.lb/arcmin	83906										
Max. axial force ^{c)}	F_{2AMax}	N	50000										
		lb _f	11250										
Max. tilting moment	M_{2KMax}	Nm	8800										
		in.lb	77887										
Efficiency at full load	η	%	92										
Service life	L_h	h	> 20000										
Weight (incl. standard adapter plate)	m	kg	96										
		lb _m	212										
Operating noise (at reference ratio and reference speed – ratio-specific values available in cymex [®])	L_{PA}	dB(A)	≤ 71										
		°C	+90										
Max. permitted housing temperature		F	194										
		°C	0 to +40										
Ambient temperature		F	32 to 104										
Lubrication			Lubricated for life										
Direction of rotation			In- and output opposite direction										
Protection class			IP 65										
Metal bellows coupling (recommended product type – validate sizing with cymex [®])			-										
Bore diameter of coupling on the application side		mm	-										
Mass moment of inertia (relates to the drive) Clamping hub diameter [mm]	K	38	J_1	kgcm ²	16.7	16.7	15.5	16.5	16.4	16.4	16.4	16.4	16.4
				10 ⁻³ in.lb.s ²	14.78	14.78	13.72	14.6	14.51	14.51	14.51	14.51	14.51

Please use our sizing software cymex[®] for a detailed sizing – www.wittenstein-cymex.com
Please contact us for optimum sizing at S1 conditions (Continuous operation).

^{a)} At max. 10 % M_{2KMax}

^{b)} Valid for standard clamping hub diameter

^{c)} Refers to center of the output shaft or flange

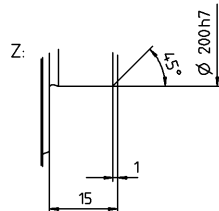
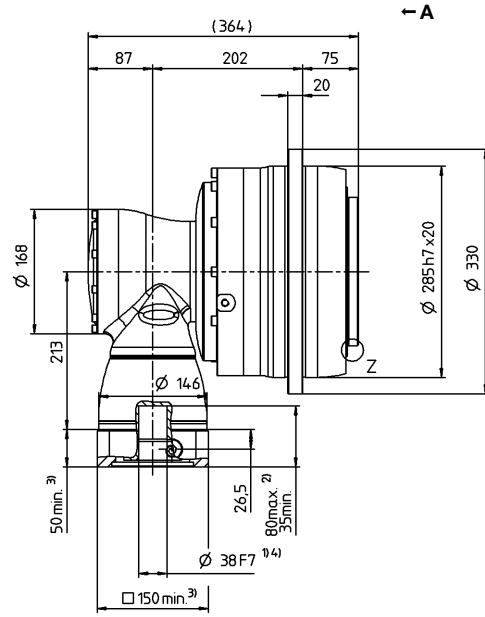
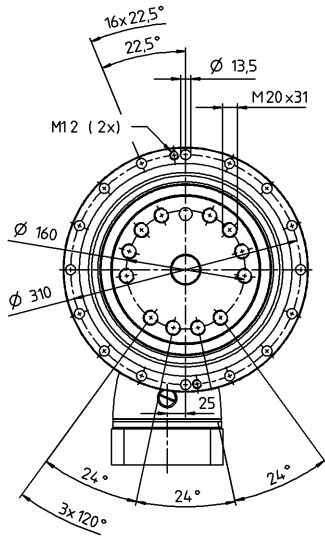
^{d)} Please reduce input speed at higher ambient temperatures

View A

Motor shaft diameter [mm]

3-stage

up to 38⁴⁾ (K)⁵⁾
clamping hub diameter



Hypoid gearboxes

TPK+

MF

See technical data sheet for available clamping hub diameters (mass moment of inertia). Dimensions available on request.

Non-tolerated dimensions are nominal dimensions

¹⁾ Check motor shaft fit

²⁾ Min./Max. permissible motor shaft length. Longer motor shafts are possible, please contact alpha.

³⁾ The dimensions depend on the motor

⁴⁾ Smaller motor shaft diameter is compensated by a bushing with a minimum thickness of 1 mm

⁵⁾ Standard clamping hub diameter

TPK+ 500 MF 4-stage i=180-1000

			4-stage												
Ratio	<i>i</i>		180	240	300	375	420	500	560	600	700	800	875	1000	
Max. torque ^{a) b)}	T_{2a}	Nm	5446	5446	5446	6808	5446	5446	5446	5446	5446	5446	5446	5446	5446
		in.lb	48201	48201	48201	60256	48201	48201	48201	48201	48201	48201	48201	48201	48201
Max. acceleration torque ^{b)} (max. 1000 cycles per hour)	T_{2B}	Nm	5446	5446	5446	6808	5446	5446	5446	5446	5446	5446	6808	5446	
		in.lb	48201	48201	48201	60256	48201	48201	48201	48201	48201	48201	60256	48201	
Nominal torque (at n_n)	T_{2N}	Nm	3350	3350	3350	3800	3350	3350	3350	3350	3350	3350	3800	3350	
		in.lb	29650	29650	29650	33633	29650	29650	29650	29650	29650	29650	33633	29650	
Emergency stop torque ^{a) b)} (permitted 1000 times during the service life of the gearbox)	T_{2Not}	Nm	8000	8000	8000	10000	8000	10000	10000	8000	10000	10000	12500	10000	
		in.lb	70806	70806	70806	88508	70806	88508	88508	70806	88508	88508	110635	88508	
Permitted average input speed (at T_{2a} and 20 °C ambient temperature) ^{d)}	n_{1N}	n_{1T}	2700	2900	2900	2900	2900	2900	2900	2900	2900	2900	2900	3200	
Max. input speed	n_{1Max}	rpm	4500	4500	4500	4500	4500	4500	4500	4500	4500	4500	4500	4500	
Mean no load running torque ^{b)} (at $n_1 = 3000$ rpm and 20 °C gearbox temperature)	T_{012}	Nm	5.1	3.8	2.4	2.1	1.7	1.5	1.5	1.2	1.2	1.1	1.1	0.9	
		in.lb	45	34	21	19	15	13	13	11	11	9.7	9.7	8.0	
Max. backlash	j_t	arcmin	Standard ≤ 3.3 / Reduced ≤ 2.3												
Torsional rigidity ^{b)}	C_{t21}	Nm/arcmin	1250	1250	1250	1300	1250	1350	1250	1250	1262	1250	1350	1250	
		in.lb/arcmin	11064	11064	11064	11506	11064	11949	11064	11064	11170	11064	11949	11064	
Tilting rigidity	C_{2K}	Nm/arcmin	9480												
		in.lb/arcmin	83906												
Max. axial force ^{c)}	F_{2AMax}	N	50000												
		lb _f	11250												
Max. tilting moment	M_{2KMax}	Nm	8800												
		in.lb	77887												
Efficiency at full load	η	%	90												
Service life	L_h	h	> 20000												
Weight (incl. standard adapter plate)	<i>m</i>	kg	99												
		lb _m	219												
Operating noise (at reference ratio and reference speed – ratio-specific values available in cymex [®])	L_{PA}	dB(A)	≤ 71												
		°C	+90												
Max. permitted housing temperature	<i>F</i>	°C	194												
		°C	0 to +40												
Ambient temperature	<i>F</i>	°C	32 to 104												
		°C	32 to 104												
Lubrication			Lubricated for life												
Direction of rotation			In- and output opposite direction												
Protection class			IP 65												
Metal bellows coupling (recommended product type – validate sizing with cymex [®])			-												
Bore diameter of coupling on the application side		mm	-												
Mass moment of inertia (relates to the drive)	G 24	J_1	kgcm ²	5.93	4.29	3.33	3.32	2.81	3.19	2.8	2.5	2.74	2.49	2.74	2.46
			10 ⁻³ in.lb.s ²	5.25	3.8	2.95	2.94	2.49	2.82	2.48	2.21	2.42	2.2	2.42	2.18
Clamping hub diameter [mm]	K 38	J_1	kgcm ²	12.84	11.18	10.24	10.23	9.72	10.1	9.71	9.41	9.65	9.4	9.65	9.37
			10 ⁻³ in.lb.s ²	11.36	9.89	9.06	9.05	8.6	8.94	8.59	8.33	8.54	8.32	8.54	8.29

Please use our sizing software cymex[®] for a detailed sizing – www.wittenstein-cymex.com
Please contact us for optimum sizing at S1 conditions (Continuous operation).

^{a)} At max. 10 % M_{2KMax}

^{b)} Valid for standard clamping hub diameter

^{c)} Refers to center of the output shaft or flange

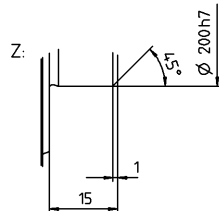
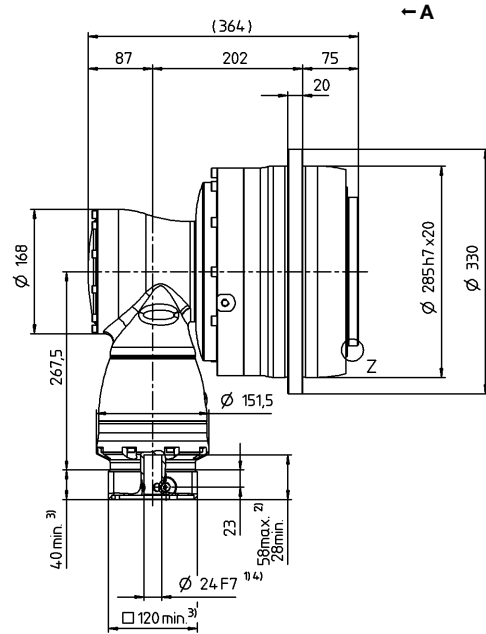
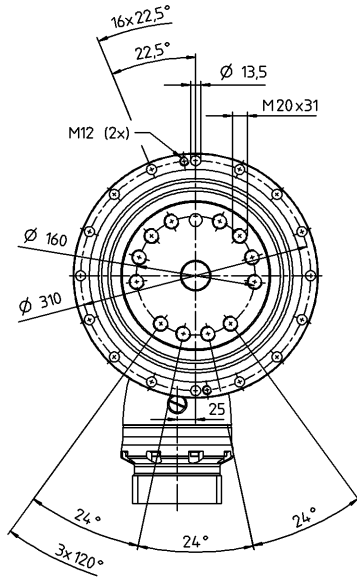
^{d)} Please reduce input speed at higher ambient temperatures

View A

Motor shaft diameter [mm]

4-stage

up to 24 / 38⁴⁾
(G⁵⁾ / K) clamping
hub diameter



Hypoid gearboxes

TPK+

MF

See technical data sheet for available clamping hub diameters (mass moment of inertia). Dimensions available on request.

Non-tolerated dimensions are nominal dimensions

¹⁾ Check motor shaft fit

²⁾ Min./Max. permissible motor shaft length. Longer motor shafts are possible, please contact alpha.

³⁾ The dimensions depend on the motor

⁴⁾ Smaller motor shaft diameter is compensated by a bushing with a minimum thickness of 1 mm

⁵⁾ Standard clamping hub diameter

TPK+ 500 MF 4-stage i=1125-10000

			4-stage									
Ratio	<i>i</i>		1225	1400	1750	2000	2800	3500	5000	7000	10000	
Max. torque ^{a) b)}	T_{2a}	Nm	6808	6808	6808	5040	7056	6808	4975	5500	4800	
		in.lb	60256	60256	60256	44608	62451	60256	44033	48679	42484	
Max. acceleration torque ^{b)} (max. 1000 cycles per hour)	T_{2B}	Nm	6808	6808	6808	4200	5500	6808	4975	5500	4800	
		in.lb	60256	60256	60256	37173	48679	60256	44033	48679	42484	
Nominal torque (at n_n)	T_{2N}	Nm	3800	3800	3800	3200	2800	3800	2900	2800	2900	
		in.lb	33633	33633	33633	28323	24782	33633	25667	24782	25667	
Emergency stop torque ^{a) b)} (permitted 1000 times during the service life of the gearbox)	T_{2Not}	Nm	15000	15000	15000	8000	11200	14000	15000	15000	15000	
		in.lb	132762	132762	132762	70806	99129	123911	132762	132762	132762	
Permitted average input speed (at T_{2a} and 20 °C ambient temperature) ^{d)}	n_{1N}	n_{1T}	2900	2900	3200	3900	3900	3900	3900	3900	3900	
Max. input speed	n_{1Max}	rpm	4500	4500	4500	4500	4500	4500	4500	4500	4500	
Mean no load running torque ^{b)} (at $n_1 = 3000$ rpm and 20 °C gearbox temperature)	T_{012}	Nm	0.9	0.9	0.6	0.6	0.6	0.6	0.6	0.6	0.6	
		in.lb	8.0	8.0	5.3	5.3	5.3	5.3	5.3	5.3	5.3	
Max. backlash	j_t	arcmin	Standard ≤ 3.3 / Reduced ≤ 2.3									
Torsional rigidity ^{b)}	C_{t21}	Nm/arcmin	1350	1350	1350	1250	1250	1350	1250	1250	1050	
		in.lb/arcmin	11949	11949	11949	11064	11064	11949	11064	11064	9293	
Tilting rigidity	C_{2K}	Nm/arcmin	9480									
		in.lb/arcmin	83906									
Max. axial force ^{c)}	F_{2AMax}	N	50000									
		lb _f	11250									
Max. tilting moment	M_{2KMax}	Nm	8800									
		in.lb	77887									
Efficiency at full load	η	%	90									
Service life	L_h	h	> 20000									
Weight (incl. standard adapter plate)	m	kg	99									
		lb _m	219									
Operating noise (at reference ratio and reference speed – ratio-specific values available in cymex [®])	L_{PA}	dB(A)	≤ 71									
		°C	+90									
Max. permitted housing temperature		F	194									
		°C	0 to +40									
Ambient temperature		F	32 to 104									
Lubrication			Lubricated for life									
Direction of rotation			In- and output opposite direction									
Protection class			IP 65									
Metal bellows coupling (recommended product type – validate sizing with cymex [®])			-									
Bore diameter of coupling on the application side		mm	-									
Mass moment of inertia (relates to the drive)	G	24	J_1	kgcm ²	2.73	2.49	2.46	2.42	2.42	2.42	2.42	2.42
				10 ⁻³ in.lb.s ²	2.42	2.2	2.18	2.14	2.14	2.14	2.14	2.14
Clamping hub diameter [mm]	K	38	J_1	kgcm ²	9.64	9.4	9.37	9.33	9.33	9.33	9.33	9.33
				10 ⁻³ in.lb.s ²	8.53	8.32	8.29	8.26	8.26	8.26	8.26	8.26

Please use our sizing software cymex[®] for a detailed sizing – www.wittenstein-cymex.com
Please contact us for optimum sizing at S1 conditions (Continuous operation).

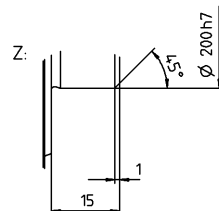
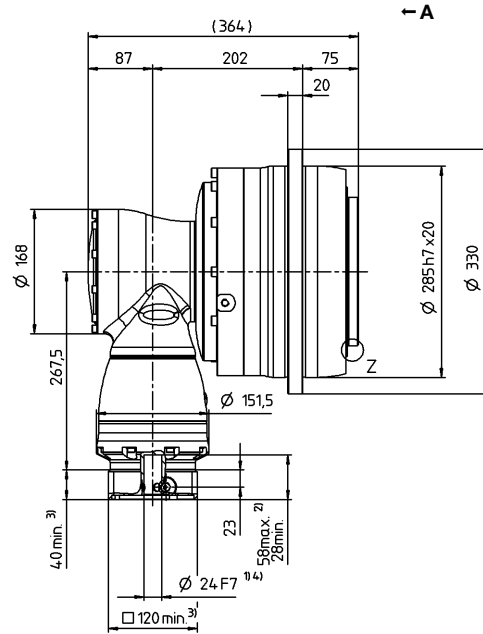
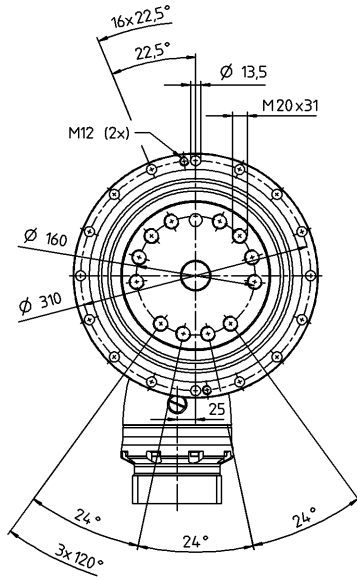
- ^{a)} At max. 10 % M_{2KMax}
- ^{b)} Valid for standard clamping hub diameter
- ^{c)} Refers to center of the output shaft or flange
- ^{d)} Please reduce input speed at higher ambient temperatures

View A

Motor shaft diameter [mm]

4-stage

up to 24 / 38⁴⁾
(G⁵⁾ / K) clamping
hub diameter



Hypoid gearboxes

TPK+

MF

See technical data sheet for available clamping hub diameters (mass moment of inertia). Dimensions available on request.

Non-tolerated dimensions are nominal dimensions
¹⁾ Check motor shaft fit

²⁾ Min./Max. permissible motor shaft length. Longer motor shafts are possible, please contact alpha.

³⁾ The dimensions depend on the motor

⁴⁾ Smaller motor shaft diameter is compensated by a bushing with a minimum thickness of 1 mm

⁵⁾ Standard clamping hub diameter

TPK+ 025 MA 3-/4-stage

			3-stage							4-stage									
Ratio	<i>i</i>		66	88	110	137.5	154	220	385	330	462	577.5	770	1078	1540	2695	3850	5500	
Max. torque ^{a) b)}	T_{2a}	Nm	583	583	583	583	550	440	583	583	583	583	583	583	583	583	583	583	583
		in.lb	5160	5160	5160	5160	4868	3894	5160	5160	5160	5160	5160	5160	5160	5160	5160	5160	5160
Max. acceleration torque ^{b)} (max. 1000 cycles per hour)	T_{2B}	Nm	530	530	530	530	530	440	530	530	530	530	530	530	530	530	530	530	530
		in.lb	4691	4691	4691	4691	4691	3894	4691	4691	4691	4691	4691	4691	4691	4691	4691	4691	4691
Nominal torque (at n_n)	T_{2N}	Nm	375	375	375	375	375	330	375	375	375	375	375	375	375	375	375	375	375
		in.lb	3319	3319	3319	3319	3319	2921	3319	3319	3319	3319	3319	3319	3319	3319	3319	3319	3319
Emergency stop torque ^{a) b)} (permitted 1000 times during the service life of the gearbox)	T_{2Not}	Nm	880	1100	1100	1200	990	880	1200	880	1200	1200	1200	1200	1200	1200	1200	1200	1200
		in.lb	7789	9736	9736	10621	8762	7789	10621	7789	10621	10621	10621	10621	10621	10621	10621	10621	10621
Permitted average input speed (at T_{2a} and 20 °C ambient temperature) ^{d)}	n_{1N}	n_{1T}	2400	2600	2900	2900	2900	2900	2900	4300	4300	4300	4300	4300	4300	5400	5400	5400	
Max. input speed	n_{1Max}	rpm	7500	7500	7500	7500	7500	7500	7500	6000	6000	6000	6000	6000	6000	6000	6000	6000	
Mean no load running torque ^{b)} (at $n_i = 3000$ rpm and 20 °C gearbox temperature)	T_{012}	Nm	1.4	1.2	1.2	1.4	1.6	1.6	1.2	0.45	0.45	0.3	0.3	0.3	0.2	0.2	0.2	0.2	
		in.lb	12	11	11	12	14	14	11	4.0	4.0	2.7	2.7	2.7	1.8	1.8	1.8	1.8	
Max. backlash	j_t	arcmin	Standard ≤ 1.3																
Torsional rigidity ^{b)}	C_{t21}	Nm/arcmin	95	95	96	99	95	94	101	95	101	98	98	102	102	101	101	98	
		in.lb/arcmin	841	841	850	876	841	832	894	841	894	867	867	903	903	894	894	867	
Tilting rigidity	C_{2K}	Nm/arcmin	550																
		in.lb/arcmin	4868																
Max. axial force ^{c)}	F_{2AMax}	N	4800																
		lb _f	1080																
Max. tilting moment	M_{2KMax}	Nm	550																
		in.lb	4868																
Efficiency at full load	η	%	92							90									
Service life	L_h	h	> 20000																
Weight (incl. standard adapter plate)	m	kg	8.4							8.7									
		lb _m	19							19									
Operating noise (at reference ratio and reference speed – ratio-specific values available in cymex [®])	L_{PA}	dB(A)	≤ 66																
		°C	+90																
Max. permitted housing temperature		F	194																
		°C	0 to +40																
Ambient temperature		F	32 to 104																
Lubrication			Lubricated for life																
Direction of rotation			In- and output opposite direction																
Protection class			IP 65																
Metal bellows coupling (recommended product type – validate sizing with cymex [®])			BCT - 00300AAX - 063.000																
		mm	X = 030.000 - 056.000																
Mass moment of inertia (relates to the drive) Clamping hub diameter [mm]	B	11	J_i	kgcm ²	-	-	-	-	-	-	0.08	0.09	0.06	0.06	0.06	0.06	0.06	0.06	
				10 ⁻³ in.lb.s ²	-	-	-	-	-	-	0.07	0.08	0.05	0.05	0.05	0.05	0.05	0.05	0.05
	C	14	J_i	kgcm ²	0.56	0.46	0.41	0.4	0.37	0.35	0.34	0.19	0.2	0.18	0.18	0.17	0.17	0.17	0.17
				10 ⁻³ in.lb.s ²	0.5	0.41	0.36	0.35	0.33	0.31	0.3	0.17	0.18	0.16	0.16	0.16	0.15	0.15	0.15
	E	19	J_i	kgcm ²	0.91	0.81	0.76	0.76	0.72	0.7	0.7	-	-	-	-	-	-	-	-
				10 ⁻³ in.lb.s ²	0.81	0.72	0.67	0.67	0.64	0.62	0.62	-	-	-	-	-	-	-	-

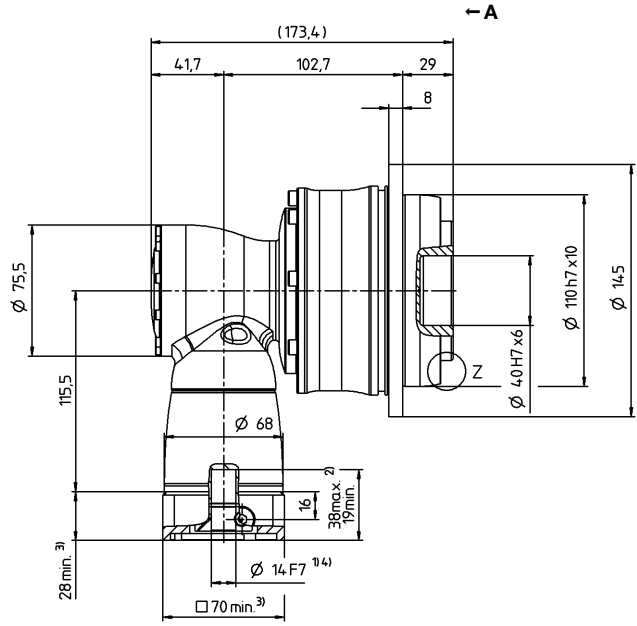
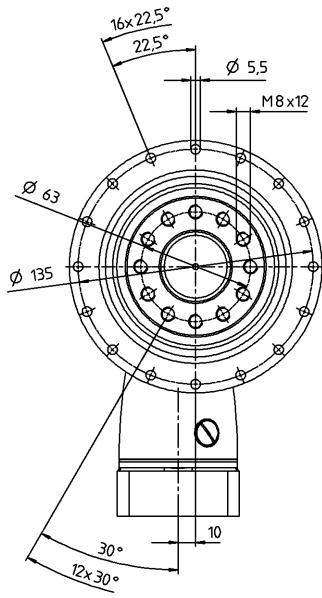
Please use our sizing software cymex[®] for a detailed sizing – www.wittenstein-cymex.com
Please contact us for optimum sizing at S1 conditions (Continuous operation).

- ^{a)} At max. 10 % M_{2KMax}
- ^{b)} Valid for standard clamping hub diameter
- ^{c)} Refers to center of the output shaft or flange
- ^{d)} Please reduce input speed at higher ambient temperatures

View A

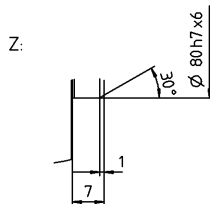
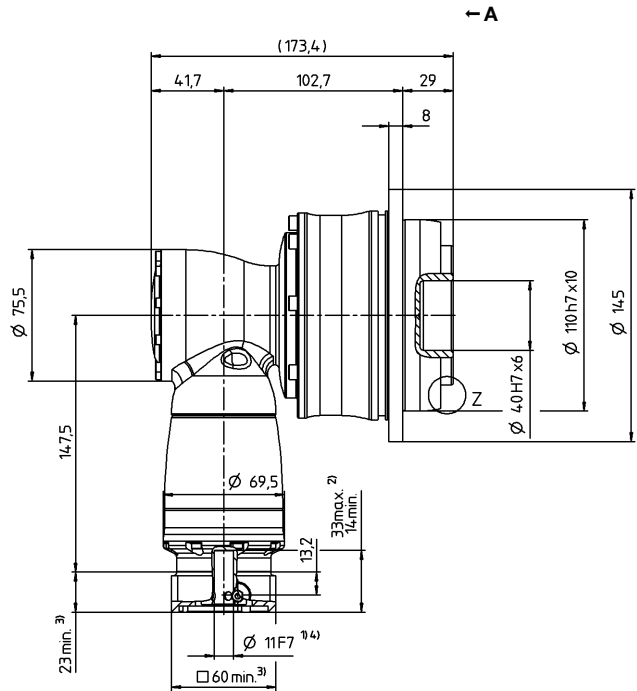
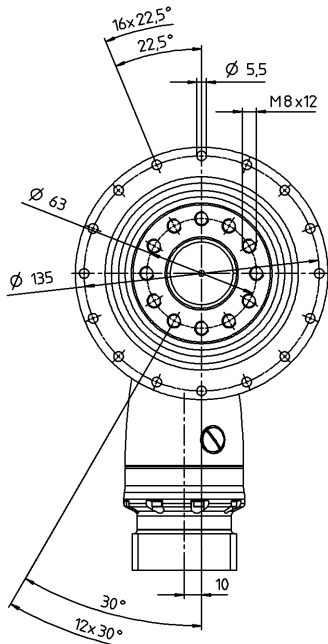
3-stage

up to 14/19⁴⁾
(C⁵⁾/E) clamping
hub diameter



4-stage

up to 11/14⁴⁾
(B⁵⁾/C) clamping
hub diameter



Motor shaft diameter [mm]

Hypoid gearboxes

TPK+

MA

See technical data sheet for available clamping hub diameters (mass moment of inertia). Dimensions available on request.

Non-tolerated dimensions are nominal dimensions

¹⁾ Check motor shaft fit

²⁾ Min./Max. permissible motor shaft length. Longer motor shafts are possible, please contact alpha.

³⁾ The dimensions depend on the motor

⁴⁾ Smaller motor shaft diameter is compensated by a bushing with a minimum thickness of 1 mm

⁵⁾ Standard clamping hub diameter

TPK+ 050 MA 3-/4-stage

			3-stage							4-stage										
Ratio	<i>i</i>		66	88	110	137.5	154	220	385	330	462	577.5	770	1078	1540	2695	3850	5500		
Max. torque ^{a) b)}	T_{2a}	Nm	1402	1402	1402	1402	1320	1100	1402	1402	1402	1402	1402	1402	1402	1402	1402	1402		
		in.lb	12409	12409	12409	12409	11683	9736	12409	12409	12409	12409	12409	12409	12409	12409	12409	12409	12409	
Max. acceleration torque ^{b)} (max. 1000 cycles per hour)	T_{2B}	Nm	992	992	992	992	992	992	992	992	992	992	992	992	992	992	992	992		
		in.lb	8780	8780	8780	8780	8780	8780	8780	8780	8780	8780	8780	8780	8780	8780	8780	8780	8780	
Nominal torque (at n_n)	T_{2N}	Nm	675	675	675	675	675	675	675	675	675	675	675	675	675	675	675	675		
		in.lb	5974	5974	5974	5974	5974	5974	5974	5974	5974	5974	5974	5974	5974	5974	5974	5974	5974	
Emergency stop torque ^{a) b)} (permitted 1000 times during the service life of the gearbox)	T_{2Not}	Nm	2090	2375	2375	2375	2375	2375	2375	2090	2375	2375	2375	2375	2375	2375	2375	2375		
		in.lb	18498	21021	21021	21021	21021	21021	21021	18498	21021	21021	21021	21021	21021	21021	21021	21021	21021	
Permitted average input speed (at T_{2a} and 20 °C ambient temperature) ^{d)}	n_{1N}	n_{1T}	2200	2400	2700	2700	2700	2700	2700	3400	3400	3400	3400	3400	3400	4400	4400	4400		
Max. input speed	n_{1Max}	rpm	7500	7500	7500	7500	7500	7500	7500	6000	6000	6000	6000	6000	6000	6000	6000	6000		
Mean no load running torque ^{b)} (at $n_1 = 3000$ rpm and 20 °C gearbox temperature)	T_{012}	Nm	2.9	2.4	2	2.1	2.4	2.1	2	0.6	0.75	0.45	0.45	0.45	0.3	0.15	0.15	0.15		
		in.lb	26	21	18	19	21	19	18	5.3	6.6	4.0	4.0	4.0	2.7	1.3	1.3	1.3	1.3	
Max. backlash	j_t	arcmin	Standard ≤ 1.3																	
Torsional rigidity ^{b)}	C_{t21}	Nm/arcmin	202	203	205	210	205	205	215	202	214	208	209	214	214	215	215	217		
		in.lb/arcmin	1788	1797	1814	1859	1814	1814	1903	1788	1894	1841	1850	1894	1894	1903	1903	1921	1921	
Tilting rigidity	C_{2K}	Nm/arcmin	560																	
		in.lb/arcmin	4956																	
Max. axial force ^{c)}	F_{2AMax}	N	6130																	
		lb _f	1379																	
Max. tilting moment	M_{2KMax}	Nm	1335																	
		in.lb	11816																	
Efficiency at full load	η	%	92							90										
Service life	L_h	h	> 20000																	
Weight (incl. standard adapter plate)	m	kg	16.9							17.5										
		lb _m	37							39										
Operating noise (at reference ratio and reference speed – ratio-specific values available in cymex [®])	L_{PA}	dB(A)	≤ 68																	
Max. permitted housing temperature		°C	+90																	
		F	194																	
Ambient temperature		°C	0 to +40																	
		F	32 to 104																	
Lubrication			Lubricated for life																	
Direction of rotation			In- and output opposite direction																	
Protection class			IP 65																	
Metal bellows coupling (recommended product type – validate sizing with cymex [®])			BCT - 00300AAX - 080.000																	
Bore diameter of coupling on the application side		mm	X = 045.000 - 056.000																	
Mass moment of inertia (relates to the drive) Clamping hub diameter [mm]	C	14	J_1	kgcm ²	-	-	-	-	-	-	0.24	0.29	0.2	0.2	0.2	0.19	0.18	0.18	0.18	
				10 ⁻³ in.lb.s ²	-	-	-	-	-	-	-	0.21	0.26	0.18	0.18	0.18	0.17	0.16	0.16	0.16
	E	19	J_1	kgcm ²	1.65	1.3	1.13	1.11	0.99	0.91	0.9	0.68	0.73	0.63	0.63	0.63	0.63	0.63	0.63	0.63
				10 ⁻³ in.lb.s ²	1.46	1.15	1	0.98	0.88	0.81	0.8	0.6	0.65	0.56	0.56	0.56	0.56	0.56	0.56	0.56
H	28	J_1	kgcm ²	3.07	2.71	2.54	2.53	2.4	2.53	2.32	-	-	-	-	-	-	-	-	-	
			10 ⁻³ in.lb.s ²	2.72	2.4	2.25	2.24	2.12	2.24	2.05	-	-	-	-	-	-	-	-	-	-

Please use our sizing software cymex[®] for a detailed sizing – www.wittenstein-cymex.com
Please contact us for optimum sizing at S1 conditions (Continuous operation).

^{a)} At max. 10 % M_{2KMax}

^{b)} Valid for standard clamping hub diameter

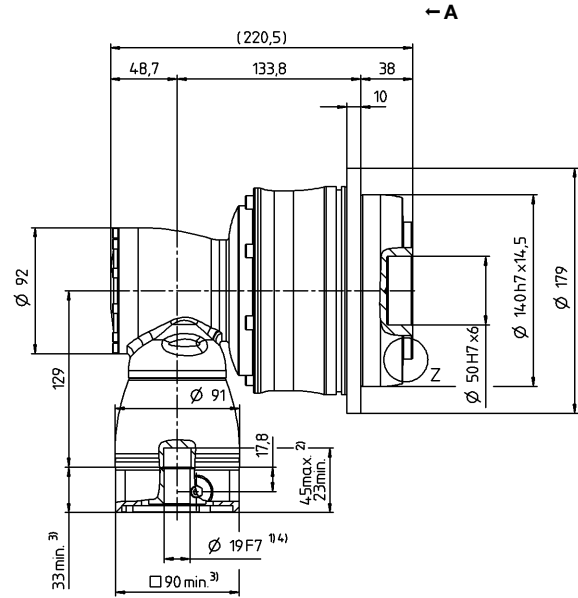
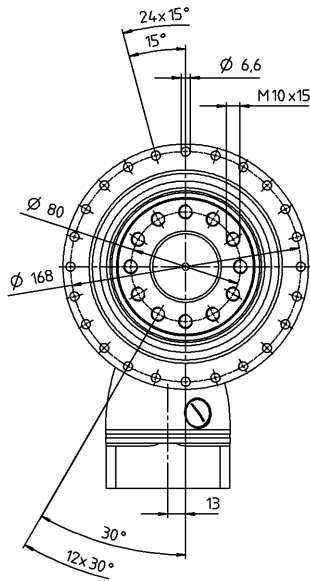
^{c)} Refers to center of the output shaft or flange

^{d)} Please reduce input speed at higher ambient temperatures

View A

3-stage

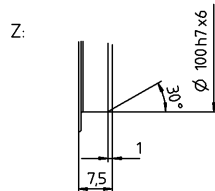
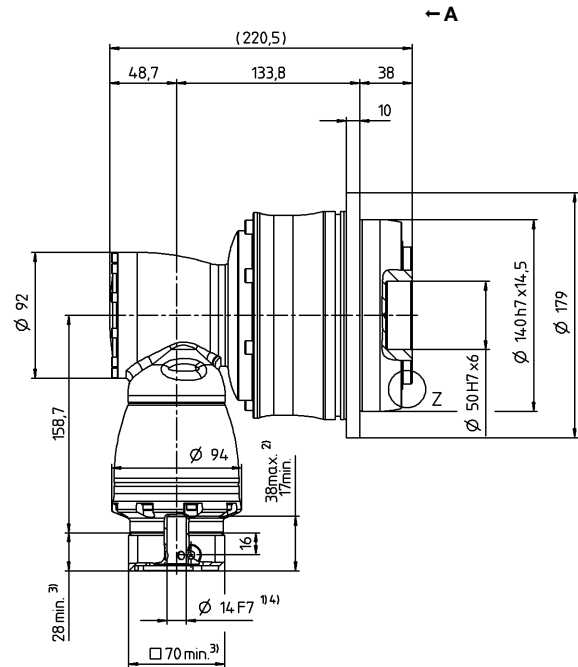
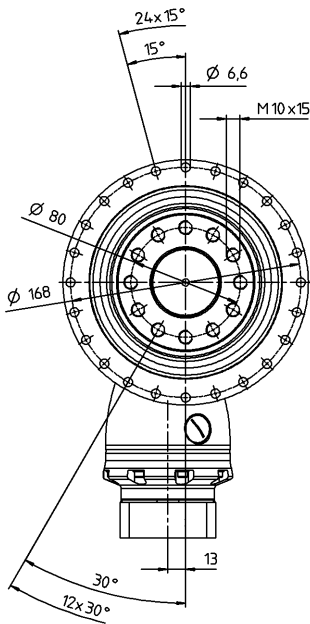
up to 19/28⁴⁾
(E⁵⁾/H) clamping
hub diameter



Motor shaft diameter [mm]

4-stage

up to 14/19⁴⁾
(C⁵⁾/E) clamping
hub diameter



See technical data sheet for available clamping hub diameters (mass moment of inertia). Dimensions available on request.

Non-tolerated dimensions are nominal dimensions

¹⁾ Check motor shaft fit

²⁾ Min./Max. permissible motor shaft length. Longer motor shafts are possible, please contact alpha.

³⁾ The dimensions depend on the motor

⁴⁾ Smaller motor shaft diameter is compensated by a bushing with a minimum thickness of 1 mm

⁵⁾ Standard clamping hub diameter

Hypoid gearboxes

TPK+

MA

TPK+ 110 MA 3-/4-stage

			3-stage							4-stage									
Ratio	<i>i</i>		66	88	110	137.5	154	220	385	330	462	577.5	770	1078	1540	2695	3850	5500	
Max. torque ^{a) b)}	T_{2a}	Nm	3822	3822	3822	3822	3190	2750	3822	3822	3822	3822	3822	3822	3822	3822	3822	3822	3200
		in.lb	33828	33828	33828	33828	28234	24340	33828	33828	33828	33828	33828	33828	33828	33828	33828	33828	33828
Max. acceleration torque ^{b)} (max. 1000 cycles per hour)	T_{2B}	Nm	3100	3100	3100	3100	3100	2750	3100	3100	3100	3100	3100	3100	3100	3100	3100	3100	2400
		in.lb	27437	27437	27437	27437	27437	24340	27437	27437	27437	27437	27437	27437	27437	27437	27437	27437	21242
Nominal torque (at n_n)	T_{2N}	Nm	1650	1650	1650	1650	1650	1650	1650	1650	1650	1650	1650	1650	1650	1650	1650	1650	1400
		in.lb	14604	14604	14604	14604	14604	14604	14604	14604	14604	14604	14604	14604	14604	14604	14604	14604	12391
Emergency stop torque ^{a) b)} (permitted 1000 times during the service life of the gearbox)	T_{2Not}	Nm	4840	5720	5720	6500	5610	5500	6500	4840	6500	6050	6500	6500	6500	6500	6500	6500	6500
		in.lb	42838	50627	50627	57530	49653	48679	57530	42838	57530	53547	57530	57530	57530	57530	57530	57530	57530
Permitted average input speed (at T_{2a} and 20 °C ambient temperature) ^{d)}	n_{1N}	n_{1T}	2100	2300	2600	2600	2400	2400	2400	3000	3000	3000	3000	3000	3000	4100	4100	4100	
Max. input speed	n_{1Max}	rpm	5500	5500	5500	5500	5500	5500	5500	4500	4500	4500	4500	4500	4500	4500	4500	4500	
Mean no load running torque ^{b)} (at $n_i = 3000$ rpm and 20 °C gearbox temperature)	T_{012}	Nm	6	4.6	3.6	3.4	4.4	3.5	3.3	1.4	1.5	1.1	0.9	0.9	0.45	0.45	0.3	0.3	
		in.lb	53	41	32	30	39	31	29	12	13	9.7	8.0	8.0	4.0	4.0	2.7	2.7	
Max. backlash	j_t	arcmin	Standard ≤ 1.3																
Torsional rigidity ^{b)}	C_{t21}	Nm/arcmin	634	642	654	675	654	648	687	634	682	662	667	685	685	689	687	658	
		in.lb/arcmin	5611	5682	5788	5974	5788	5735	6080	5611	6036	5859	5903	6063	6063	6098	6080	5824	
Tilting rigidity	C_{2K}	Nm/arcmin	1452																
		in.lb/arcmin	12851																
Max. axial force ^{c)}	F_{2AMax}	N	10050																
		lb _f	2261																
Max. tilting moment	M_{2KMax}	Nm	3280																
		in.lb	29031																
Efficiency at full load	η	%	92							90									
Service life	L_h	h	> 20000																
Weight (incl. standard adapter plate)	m	kg	39.9							40.6									
		lb _m	88							90									
Operating noise (at reference ratio and reference speed – ratio-specific values available in cymex [®])	L_{PA}	dB(A)	≤ 70																
Max. permitted housing temperature		°C	+90																
		F	194																
Ambient temperature		°C	0 to +40																
		F	32 to 104																
Lubrication			Lubricated for life																
Direction of rotation			In- and output opposite direction																
Protection class			IP 65																
Metal bellows coupling (recommended product type – validate sizing with cymex [®])			BCT - 01500AAX - 125.000																
Bore diameter of coupling on the application side		mm	X = 055.000 - 070.000																
Mass moment of inertia (relates to the drive) Clamping hub diameter [mm]	E	19	J_1	kgcm ²	-	-	-	-	-	-	0.89	1.06	0.76	0.76	0.76	0.69	0.68	0.68	0.68
				10 ⁻³ in.lb.s ²	-	-	-	-	-	-	0.79	0.94	0.67	0.67	0.67	0.61	0.6	0.6	0.6
	G	24	J_1	kgcm ²	-	-	-	-	-	-	2.46	2.63	2.33	2.32	2.32	2.26	2.25	2.25	2.25
				10 ⁻³ in.lb.s ²	-	-	-	-	-	-	2.18	2.33	2.06	2.05	2.05	2	1.99	1.99	1.99
	H	28	J_1	kgcm ²	5.48	4.27	3.64	3.58	3.14	2.87	2.84	-	-	-	-	-	-	-	-
				10 ⁻³ in.lb.s ²	4.85	3.78	3.22	3.17	2.78	2.54	2.51	-	-	-	-	-	-	-	-
	K	38	J_1	kgcm ²	12.72	11.52	10.89	10.83	10.39	10.12	10.09	-	-	-	-	-	-	-	-
				10 ⁻³ in.lb.s ²	11.26	10.2	9.64	9.58	9.2	8.96	8.93	-	-	-	-	-	-	-	-

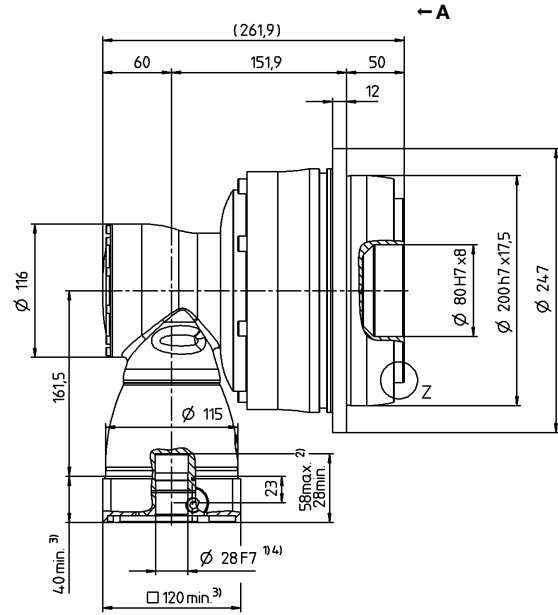
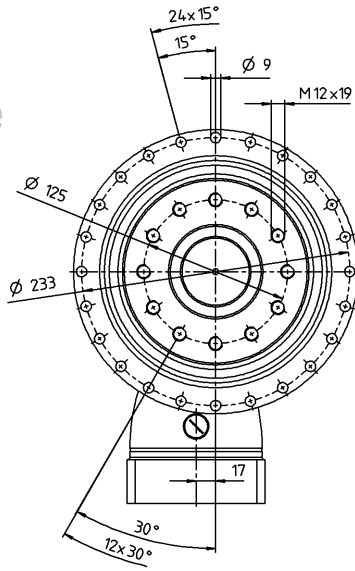
Please use our sizing software cymex[®] for a detailed sizing – www.wittenstein-cymex.com
Please contact us for optimum sizing at S1 conditions (Continuous operation).

^{a)} At max. 10 % M_{2KMax}
^{b)} Valid for standard clamping hub diameter
^{c)} Refers to center of the output shaft or flange
^{d)} Please reduce input speed at higher ambient temperatures

View A

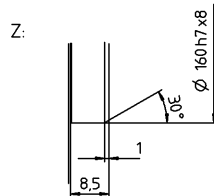
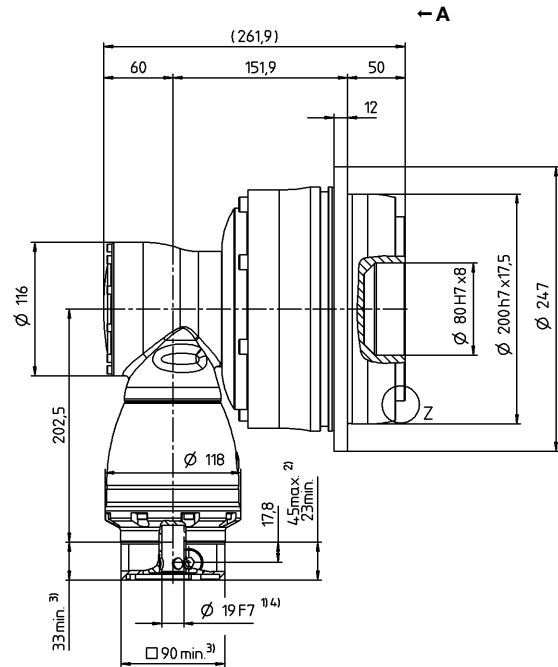
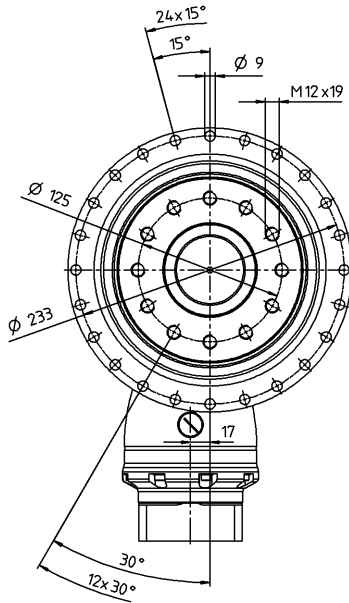
3-stage

up to 28/38⁴⁾
(H⁵⁾/K) clamping
hub diameter



4-stage

up to 19/24⁴⁾
(E⁵⁾/G) clamping
hub diameter



Motor shaft diameter [mm]

Hypoid gearboxes

TPK+

MA

See technical data sheet for available clamping hub diameters (mass moment of inertia). Dimensions available on request.

Non-tolerated dimensions are nominal dimensions

¹⁾ Check motor shaft fit

²⁾ Min./Max. permissible motor shaft length. Longer motor shafts are possible, please contact alpha.

³⁾ The dimensions depend on the motor

⁴⁾ Smaller motor shaft diameter is compensated by a bushing with a minimum thickness of 1 mm

⁵⁾ Standard clamping hub diameter

TPK+ 300 MA 3-/4-stage

			3-stage							4-stage									
Ratio	<i>i</i>		66	88	110	137.5	154	220	385	330	462	577.5	770	1078	1540	2695	3850	5500	
Max. torque ^{a) b)}	T_{2a}	Nm	7535	7535	7535	7535	5500	4620	7535	7535	7535	7535	7535	7535	7535	7535	7535	7535	5473
		in.lb	66691	66691	66691	66691	48679	40891	66691	66691	66691	66691	66691	66691	66691	66691	66691	66691	66691
Max. acceleration torque ^{b)} (max. 1000 cycles per hour)	T_{2B}	Nm	6600	6600	6600	6600	5500	4620	6600	6600	6600	6600	6600	6600	6600	6600	6600	6600	4680
		in.lb	58415	58415	58415	58415	48679	40891	58415	58415	58415	58415	58415	58415	58415	58415	58415	58415	58415
Nominal torque (at n_n)	T_{2N}	Nm	3500	3500	3500	3500	3500	3500	3500	3500	3500	3500	3500	3500	3500	3500	3500	3500	3500
		in.lb	30978	30978	30978	30978	30978	30978	30978	30978	30978	30978	30978	30978	30978	30978	30978	30978	30978
Emergency stop torque ^{a) b)} (permitted 1000 times during the service life of the gearbox)	T_{2Not}	Nm	8800	11000	11000	13750	9900	8800	15296	8800	15296	11000	13750	15296	15296	15296	15296	15296	15333
		in.lb	77887	97359	97359	121699	87623	77887	135382	77887	135382	97359	121699	135382	135382	135382	135382	135382	135709
Permitted average input speed (at T_{2a} and 20 °C ambient temperature) ^{d)}	n_{1N}	n_{1T}	1800	1900	2100	2100	1900	1900	1900	2800	2800	2800	2800	2800	2800	3100	3800	3800	
Max. input speed	n_{1Max}	rpm	5000	5000	5000	5000	5000	5000	5000	4500	4500	4500	4500	4500	4500	4500	4500	4500	
Mean no load running torque ^{b)} (at $n_1 = 3000$ rpm and 20 °C gearbox temperature)	T_{012}	Nm	11	8.2	6.9	6.5	9.2	7.8	7.5	2.3	3.3	1.5	1.4	1.2	0.9	0.6	0.6	0.6	
		in.lb	97	73	61	58	81	69	66	20	29	13	12	11	8.0	5.3	5.3	5.3	
Max. backlash	j_t	arcmin	Standard ≤ 3.3 / Reduced ≤ 1.8																
Torsional rigidity ^{b)}	C_{t21}	Nm/arcmin	1099	1108	1114	960	1114	1111	979	1099	976	953	958	978	978	979	979	989	
		in.lb/arcmin	9727	9807	9860	8497	9860	9833	8665	9727	8638	8435	8479	8656	8656	8665	8665	8753	
Tilting rigidity	C_{2K}	Nm/arcmin	5560																
		in.lb/arcmin	49210																
Max. axial force ^{c)}	F_{2AMax}	N	33000																
		lb _f	7425																
Max. tilting moment	M_{2KMax}	Nm	6500																
		in.lb	57530																
Efficiency at full load	η	%	92							90									
Service life	L_h	h	> 20000																
Weight (incl. standard adapter plate)	<i>m</i>	kg	83							87									
		lb _m	183							192									
Operating noise (at reference ratio and reference speed – ratio-specific values available in cymex [®])	L_{PA}	dB(A)	≤ 71																
Max. permitted housing temperature		°C	+90																
		F	194																
Ambient temperature		°C	0 to +40																
		F	32 to 104																
Lubrication			Lubricated for life																
Direction of rotation			In- and output opposite direction																
Protection class			IP 65																
Metal bellows coupling (recommended product type – validate sizing with cymex [®])			BCT - 04000AAX - 145.000																
Bore diameter of coupling on the application side		mm	X = 070.000 - 100.000																
Mass moment of inertia (relates to the drive)	G 24	J_1	kgcm ²	-	-	-	-	-	-	-	3.32	4.24	2.8	2.79	2.79	2.49	2.43	2.42	2.42
			10 ⁻³ in.lb.s ²	-	-	-	-	-	-	-	-	2.94	3.75	2.48	2.47	2.47	2.2	2.15	2.14
Clamping hub diameter [mm]	K 38	J_1	kgcm ²	26.04	19.71	16.71	16.58	14.26	12.89	12.83	10.23	11.15	9.71	9.7	9.7	9.4	9.34	9.33	9.33
			10 ⁻³ in.lb.s ²	23.05	17.44	14.79	14.67	12.62	11.41	11.35	9.05	9.87	8.59	8.58	8.58	8.32	8.27	8.26	8.26

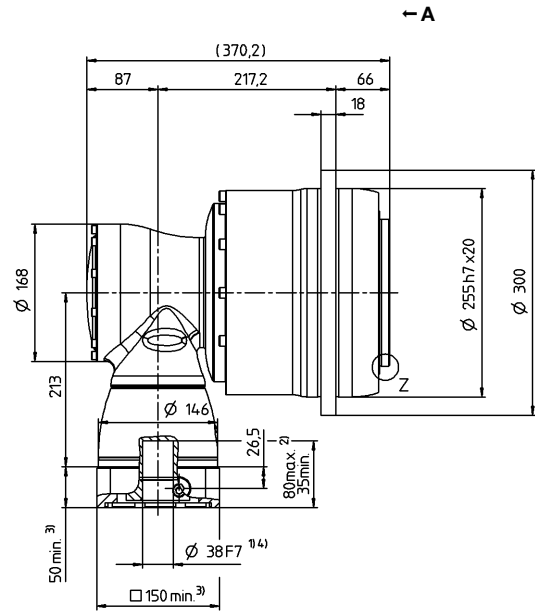
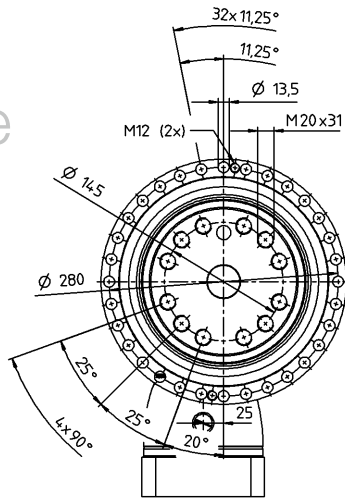
Please use our sizing software cymex[®] for a detailed sizing – www.wittenstein-cymex.com
Please contact us for optimum sizing at S1 conditions (Continuous operation).

- ^{a)} At max. 10 % M_{2KMax}
- ^{b)} Valid for standard clamping hub diameter
- ^{c)} Refers to center of the output shaft or flange
- ^{d)} Please reduce input speed at higher ambient temperatures

View A

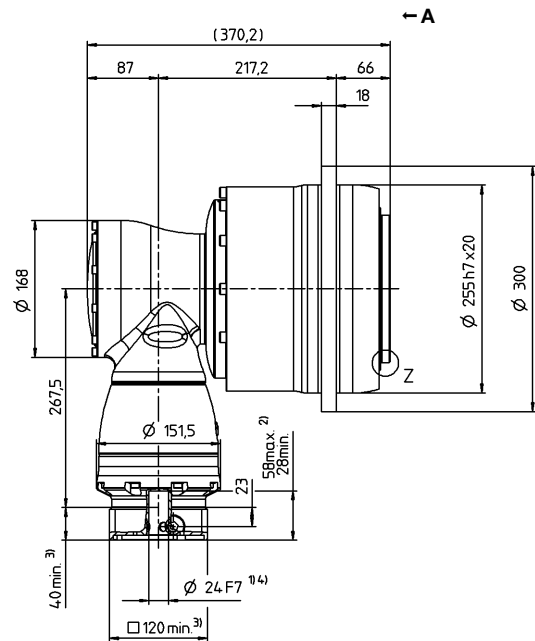
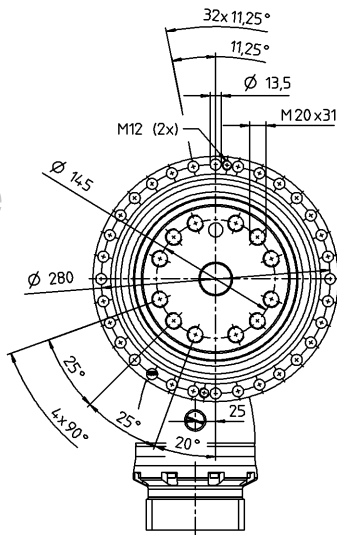
3-stage

up to 38⁴⁾ (K)⁵⁾
clamping hub diameter

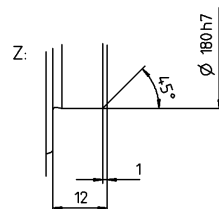


4-stage

up to 24/38⁴⁾
(G⁵⁾/K) clamping hub diameter



Motor shaft diameter [mm]



See technical data sheet for available clamping hub diameters (mass moment of inertia). Dimensions available on request.

Non-tolerated dimensions are nominal dimensions
¹⁾ Check motor shaft fit

²⁾ Min./Max. permissible motor shaft length. Longer motor shafts are possible, please contact alpha.

³⁾ The dimensions depend on the motor

⁴⁾ Smaller motor shaft diameter is compensated by a bushing with a minimum thickness of 1 mm

⁵⁾ Standard clamping hub diameter

Hypoid gearboxes

TPK+

MA

TPK+ 500 MA 3-/4-stage

			3-stage							4-stage									
Ratio	<i>i</i>		66	88	110	137.5	154	220	385	330	462	577.5	770	1078	1540	2695	3850	5500	
Max. torque ^{a) b)}	T_{2a}	Nm	10450	10450	10450	10450	10450	10340	10450	10450	10450	10450	10450	10450	10450	10450	10450	10450	10450
		in.lb	92491	92491	92491	92491	92491	91517	92491	92491	92491	92491	92491	92491	92491	92491	92491	92491	92491
Max. acceleration torque ^{b)} (max. 1000 cycles per hour)	T_{2B}	Nm	10450	10450	10450	10450	10450	10340	10450	10450	10450	10450	10450	10450	10450	10450	10450	10450	8640
		in.lb	92491	92491	92491	92491	92491	91517	92491	92491	92491	92491	92491	92491	92491	92491	92491	92491	76471
Nominal torque (at n_n)	T_{2N}	Nm	5400	5400	5400	5400	5400	5400	5400	5400	5400	5400	5400	5400	5400	5400	5400	5400	5400
		in.lb	47794	47794	47794	47794	47794	47794	47794	47794	47794	47794	47794	47794	47794	47794	47794	47794	47794
Emergency stop torque ^{a) b)} (permitted 1000 times during the service life of the gearbox)	T_{2Not}	Nm	19800	23100	23100	25000	21340	19800	25000	19800	25000	24750	25000	25000	25000	25000	25000	25000	25000
		in.lb	175246	204453	204453	221270	188876	175246	221270	175246	221270	219057	221270	221270	221270	221270	221270	221270	221270
Permitted average input speed (at T_{2a} and 20 °C ambient temperature) ^{d)}	n_{1N}	n_{1T}	1500	1700	1900	1900	1700	1700	1700	2600	2600	2600	2600	2600	2600	3100	3300	3300	
Max. input speed	n_{1Max}	rpm	4500	4500	4500	4500	4500	4500	4500	4000	4000	4000	4000	4000	4000	4000	4000	4000	
Mean no load running torque ^{b)} (at $n_1 = 3000$ rpm and 20 °C gearbox temperature)	T_{012}	Nm	19	15	13	13	17	15	15	4.1	6	3	2.7	2.6	1.8	1.7	1.5	1.5	
		in.lb	168	133	115	115	150	133	133	36	53	27	24	23	16	15	13	13	
Max. backlash	j_t	arcmin	Standard ≤ 3.3 / Reduced ≤ 1.8																
Torsional rigidity ^{b)}	C_{t21}	Nm/arcmin	1879	1890	1901	1747	1899	1898	1772	1879	1766	1735	1742	1770	1770	1772	1772	1786	
		in.lb/arcmin	16631	16728	16825	15462	16808	16799	15684	16631	15631	15356	15418	15666	15666	15684	15684	15808	
Tilting rigidity	C_{2K}	Nm/arcmin	9480																
		in.lb/arcmin	83906																
Max. axial force ^{c)}	F_{2AMax}	N	50000																
		lb _f	11250																
Max. tilting moment	M_{2KMax}	Nm	9500																
		in.lb	84083																
Efficiency at full load	η	%	92							90									
Service life	L_h	h	> 20000																
Weight (incl. standard adapter plate)	<i>m</i>	kg	120							124									
		lb _m	265							274									
Operating noise (at reference ratio and reference speed – ratio-specific values available in cymex [®])	L_{PA}	dB(A)	≤ 71																
Max. permitted housing temperature		°C	+90																
		F	194																
Ambient temperature		°C	0 to +40																
		F	32 to 104																
Lubrication			Lubricated for life																
Direction of rotation			In- and output opposite direction																
Protection class			IP 65																
Metal bellows coupling (recommended product type – validate sizing with cymex [®])			BCT - 10000AAX - 166.000																
Bore diameter of coupling on the application side		mm	X = 080.000 - 180.000																
Mass moment of inertia (relates to the drive)	K 38	J_1	kgcm ²	-	-	-	-	-	-	-	12.43	15.36	10.93	10.92	10.91	10.13	9.95	9.91	9.91
			10 ⁻³ in.lb.s ²	-	-	-	-	-	-	-	11	13.59	9.67	9.66	9.66	8.97	8.81	8.77	8.77
Clamping hub diameter [mm]	M 48	J_1	kgcm ²	75.54	52.83	42.94	42.67	34.37	29.87	29.73	27.14	30.07	25.64	25.63	25.62	24.84	24.66	24.62	24.62
			10 ⁻³ in.lb.s ²	66.85	46.75	38	37.76	30.42	26.43	26.31	24.02	26.61	22.69	22.68	22.67	21.98	21.82	21.79	21.79

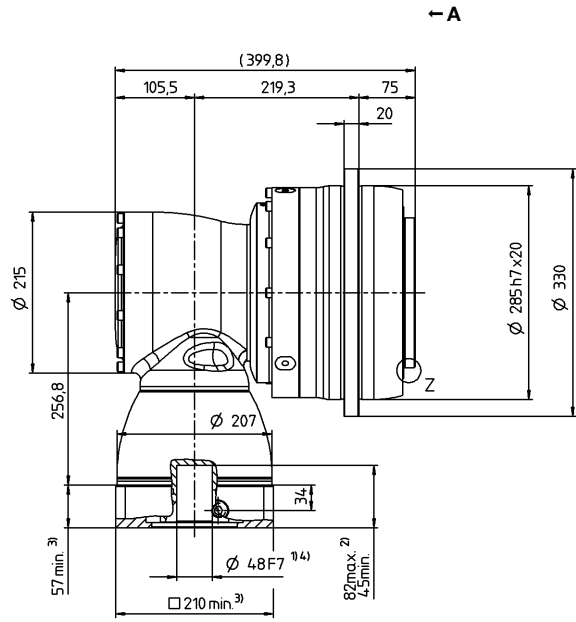
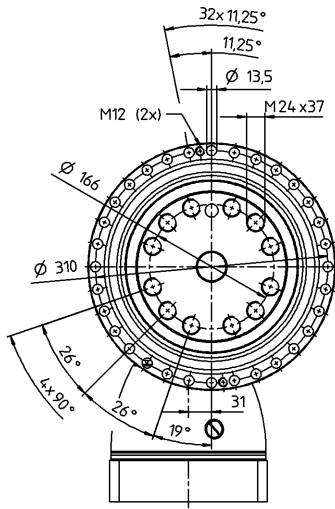
Please use our sizing software cymex[®] for a detailed sizing – www.wittenstein-cymex.com
Please contact us for optimum sizing at S1 conditions (Continuous operation).

- ^{a)} At max. 10 % M_{2KMax}
- ^{b)} Valid for standard clamping hub diameter
- ^{c)} Refers to center of the output shaft or flange
- ^{d)} Please reduce input speed at higher ambient temperatures

View A

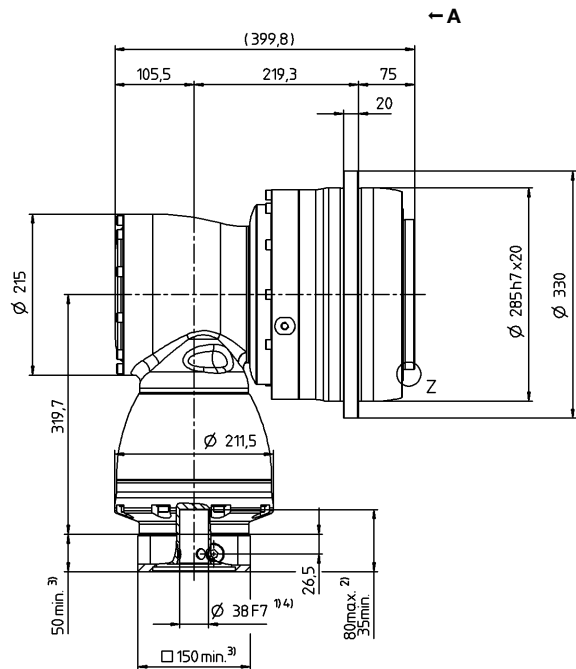
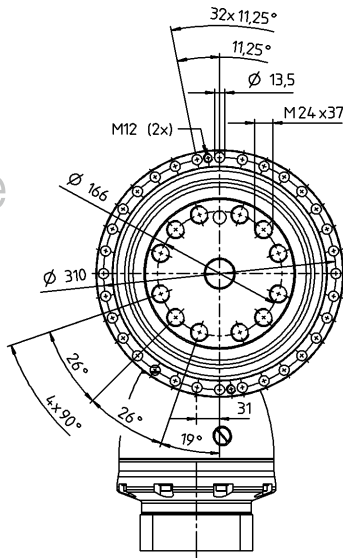
3-stage

up to 48⁴⁾ (M)⁵⁾
clamping hub diameter

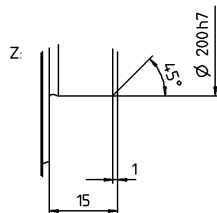


4-stage

up to 38 / 48⁴⁾
(K⁵⁾ / M) clamping hub diameter



Motor shaft diameter [mm]



See technical data sheet for available clamping hub diameters (mass moment of inertia). Dimensions available on request.

Non-tolerated dimensions are nominal dimensions

¹⁾ Check motor shaft fit

²⁾ Min./Max. permissible motor shaft length. Longer motor shafts are possible, please contact alpha.

³⁾ The dimensions depend on the motor

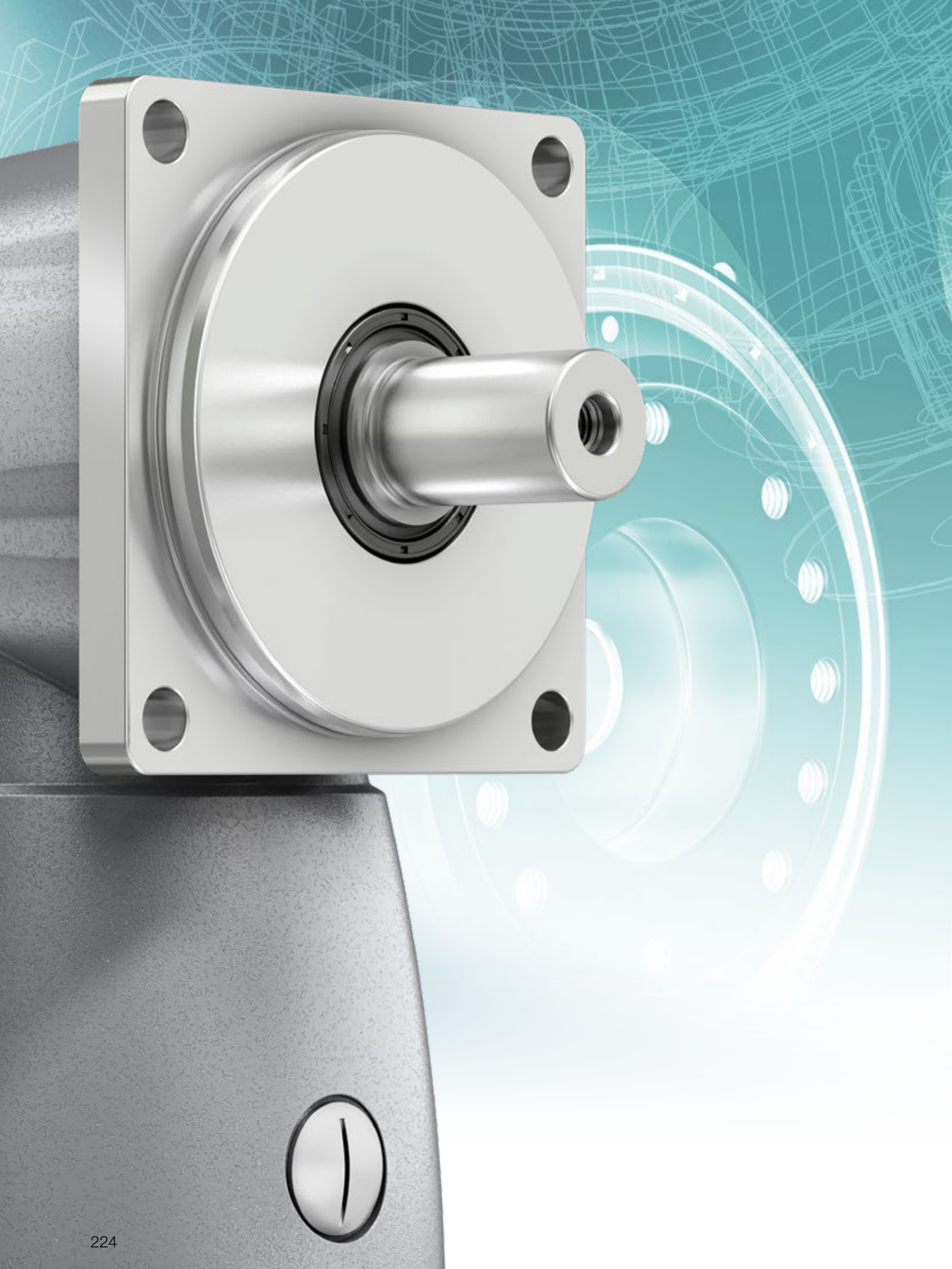
⁴⁾ Smaller motor shaft diameter is compensated by a bushing with a minimum thickness of 1 mm

⁵⁾ Standard clamping hub diameter

Hypoid gearboxes

TPK⁺

MA





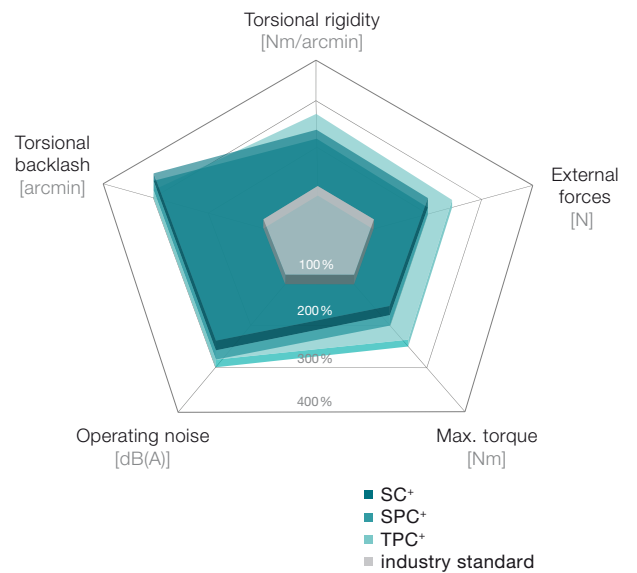
Bevel gearboxes
SC⁺ / SPC⁺ / TPC⁺
High performance
guaranteed

SC+ / SPC+ / TPC+ – High performance at low ratios



If the application requires above-average performance at lower ratios: The innovative design of the alpha Advanced Line bevel gearbox SC+ / SPC+ / TPC+ is not only space-saving, elegant and energy-efficient, it also delivers an impressive performance and guarantees smooth operation.

SC+ / SPC+ / TPC+ compared to the industry standard



Product highlights

Max. torsional backlash

- SC+ ≤ 4 arcmin (Standard)
- SPC+ / TPC+ ≤ 4 arcmin (Standard)
- ≤ 2 arcmin (Reduced)

High power density and dynamics

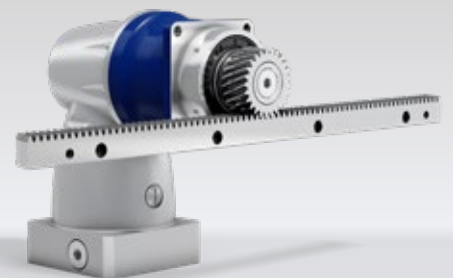
High output speeds

- due to gear ratios
- 1:1 and 2:1 (single-stage)

Efficiency of 97%



TPC+ with pinions



SPC+ with rack and pinion

Intelligent design which reduces friction losses to a minimum

Output compatible with TP+ series

High toothing quality ensures:

- Improved load bearing capacity and therefore higher torque
- Precision thanks to minimum torsional backlash
- Extremely smooth operation and stable running characteristics

Low temperature development, also at high speeds

Ideal for open system concepts: no external screws and functional beading integrated in the housing

Metal bellows coupling at the input: length compensation to protect the motor bearing

TPC+

Bevel gearboxes



SPC+ with metal bellows coupling

SC+ 060 MF 1-stage

				1-stage		
Ratio	<i>i</i>			1	2	
Max. torque ^{a) b) e)}	T_{2a}	<i>Nm</i>		12	12	
		<i>in.lb</i>		106	106	
Max. acceleration torque ^{b) e)} (max. 1000 cycles per hour)	T_{2B}	<i>Nm</i>		10	10	
		<i>in.lb</i>		89	89	
Nominal torque (at n_n)	T_{2N}	<i>Nm</i>		7	7	
		<i>in.lb</i>		62	62	
Emergency stop torque ^{a) b) e)} (permitted 1000 times during the service life of the gearbox)	T_{2Not}	<i>Nm</i>		25	25	
		<i>in.lb</i>		221	221	
Permitted average input speed (at T_{2a} and 20 °C ambient temperature) ^{d)}	n_{1N}	n_{1T}		5000	5500	
Max. input speed	n_{1Max}	<i>rpm</i>		6000	6000	
Mean no load running torque ^{b)} (at $n_1 = 3000$ rpm and 20 °C gearbox temperature)	T_{012}	<i>Nm</i>		0.7	0.5	
		<i>in.lb</i>		6.2	4.4	
Max. backlash	j_t	<i>arcmin</i>		Standard ≤ 5		
Torsional rigidity ^{b)}	C_{t21}	<i>Nm/arcmin</i>		0.4	0.6	
		<i>in.lb/arcmin</i>		4	5	
Max. axial force ^{c)}	F_{2AMax}	<i>N</i>		500		
		<i>lb_f</i>		113		
Max. lateral force ^{c)}	F_{2OMax}	<i>N</i>		950		
		<i>lb_f</i>		214		
Max. tilting moment	M_{2KMax}	<i>Nm</i>		71		
		<i>in.lb</i>		628		
Efficiency at full load	η	<i>%</i>		97		
Service life	L_h	<i>h</i>		> 20000		
Weight (incl. standard adapter plate)	m	<i>kg</i>		1.9		
		<i>lb_m</i>		4		
Operating noise (at reference ratio and reference speed – ratio-specific values available in cymex [®])	L_{PA}	<i>dB(A)</i>		≤ 66		
Max. permitted housing temperature		<i>°C</i>		+90		
		<i>F</i>		194		
Ambient temperature		<i>°C</i>		0 to +40		
		<i>F</i>		32 to 104		
Lubrication				Lubricated for life		
Direction of rotation				In- and output same direction		
Protection class				IP 65		
Metal bellows coupling (recommended product type – validate sizing with cymex [®])				BC2 - 00015AA - 012.000 - X		
Bore diameter of coupling on the application side		<i>mm</i>		X = 008.000 - 028.000		
Mass moment of inertia (relates to the drive) Clamping hub diameter [mm]	C	14	J_1	<i>kgcm²</i>	0.66	0.42
				<i>10⁻³ in.lb.s²</i>	0.58	0.37
	E	19	J_1	<i>kgcm²</i>	0.99	0.75
				<i>10⁻³ in.lb.s²</i>	0.88	0.66

Please use our sizing software cymex[®] for a detailed sizing – www.wittenstein-cymex.com
Please contact us for optimum sizing at S1 conditions (Continuous operation).

^{a)} At max. 10 % F_{2OMax}

^{b)} Valid for standard clamping hub diameter

^{c)} Refers to center of the output shaft or flange

^{d)} Please reduce input speed at higher ambient temperatures

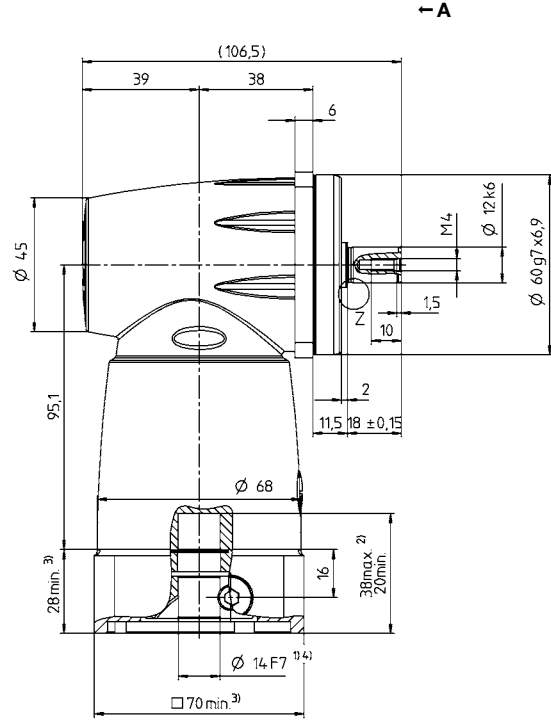
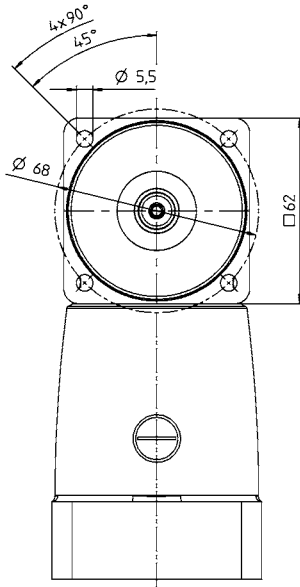
^{e)} Smooth shaft

View A

Motor shaft diameter [mm]

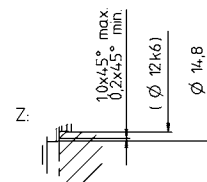
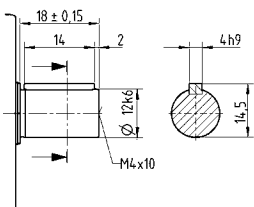
1-stage

up to 14 / 19⁴⁾
(C⁵⁾ / E) clamping
hub diameter



Other output variants

Shaft with key



See technical data sheet for available clamping hub diameters (mass moment of inertia). Dimensions available on request.

Non-tolerated dimensions are nominal dimensions

- ¹⁾ Check motor shaft fit
- ²⁾ Min./Max. permissible motor shaft length. Longer motor shafts are possible, please contact alpha.
- ³⁾ The dimensions depend on the motor
- ⁴⁾ Smaller motor shaft diameter is compensated by a bushing with a minimum thickness of 1 mm
- ⁵⁾ Standard clamping hub diameter

SC+ 075 MF 1-stage

				1-stage		
Ratio	<i>i</i>			1	2	
Max. torque ^{a) b) e)}	T_{2a}	<i>Nm</i>		36	36	
		<i>in.lb</i>		319	319	
Max. acceleration torque ^{b) e)} (max. 1000 cycles per hour)	T_{2B}	<i>Nm</i>		30	30	
		<i>in.lb</i>		266	266	
Nominal torque (at n_n)	T_{2N}	<i>Nm</i>		20	20	
		<i>in.lb</i>		177	177	
Emergency stop torque ^{a) b) e)} (permitted 1000 times during the service life of the gearbox)	T_{2Not}	<i>Nm</i>		48	62	
		<i>in.lb</i>		425	549	
Permitted average input speed (at T_{2a} and 20 °C ambient temperature) ^{d)}	n_{1N}	n_{1T}		2600	4000	
Max. input speed	n_{1Max}	<i>rpm</i>		6000	6000	
Mean no load running torque ^{b)} (at $n_1 = 3000$ rpm and 20 °C gearbox temperature)	T_{012}	<i>Nm</i>		1.5	0.8	
		<i>in.lb</i>		13	7.1	
Max. backlash	j_t	<i>arcmin</i>		Standard ≤ 4		
Torsional rigidity ^{b)}	C_{t21}	<i>Nm/arcmin</i>		1	1.5	
		<i>in.lb/arcmin</i>		9	13	
Max. axial force ^{c)}	F_{2AMax}	<i>N</i>		700		
		<i>lb_f</i>		158		
Max. lateral force ^{c)}	F_{2QMMax}	<i>N</i>		1300		
		<i>lb_f</i>		293		
Max. tilting moment	M_{2KMMax}	<i>Nm</i>		131		
		<i>in.lb</i>		1159		
Efficiency at full load	η	<i>%</i>		97		
Service life	L_h	<i>h</i>		> 20000		
Weight (incl. standard adapter plate)	m	<i>kg</i>		3.6		
		<i>lb_m</i>		8		
Operating noise (at reference ratio and reference speed – ratio-specific values available in cymex [®])	L_{PA}	<i>dB(A)</i>		≤ 68		
Max. permitted housing temperature		<i>°C</i>		+90		
		<i>F</i>		194		
Ambient temperature		<i>°C</i>		0 to +40		
		<i>F</i>		32 to 104		
Lubrication				Lubricated for life		
Direction of rotation				In- and output same direction		
Protection class				IP 65		
Metal bellows coupling (recommended product type – validate sizing with cymex [®])				BC2 - 00030AA - 016.000 - X		
Bore diameter of coupling on the application side		<i>mm</i>		X = 010.000 - 030.000		
Mass moment of inertia (relates to the drive) Clamping hub diameter [mm]	E	19	J_1	<i>kgcm²</i>	1.99	1.19
				<i>10⁻³ in.lb.s²</i>	1.76	1.05
	H	28	J_1	<i>kgcm²</i>	3.43	2.63
				<i>10⁻³ in.lb.s²</i>	3.04	2.33

Please use our sizing software cymex[®] for a detailed sizing – www.wittenstein-cymex.com
Please contact us for optimum sizing at S1 conditions (Continuous operation).

^{a)} At max. 10 % F_{2QMax}

^{b)} Valid for standard clamping hub diameter

^{c)} Refers to center of the output shaft or flange

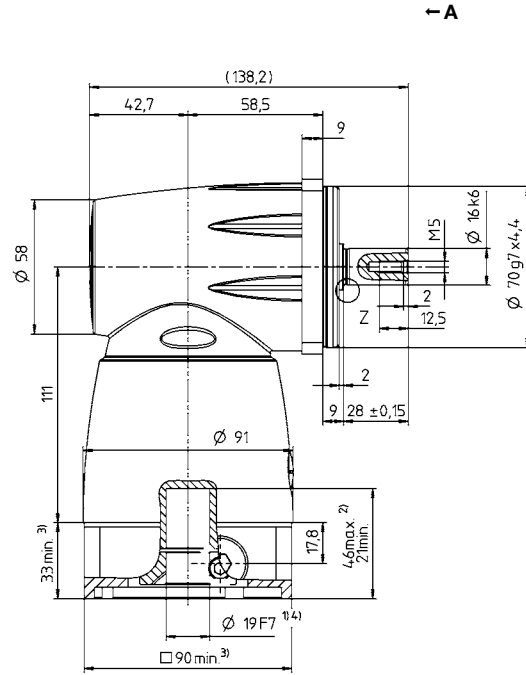
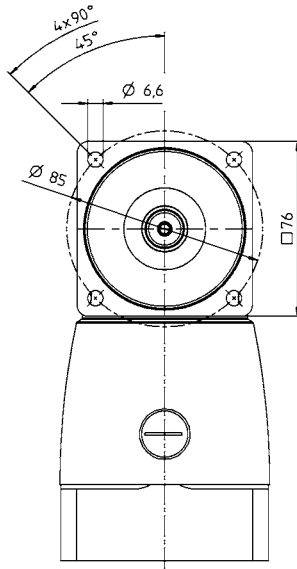
^{d)} Please reduce input speed at higher ambient temperatures

^{e)} Smooth shaft

Motor shaft diameter [mm]

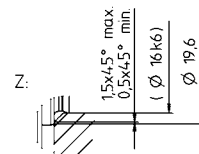
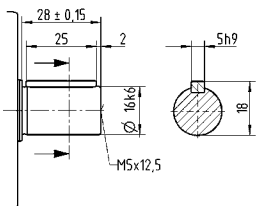
1-stage

up to 19/28⁴⁾
(E⁵⁾/H) clamping
hub diameter



Other output variants

Shaft with key



See technical data sheet for available clamping hub diameters (mass moment of inertia). Dimensions available on request.

Non-tolerated dimensions are nominal dimensions

- ¹⁾ Check motor shaft fit
- ²⁾ Min./Max. permissible motor shaft length. Longer motor shafts are possible, please contact alpha.
- ³⁾ The dimensions depend on the motor
- ⁴⁾ Smaller motor shaft diameter is compensated by a bushing with a minimum thickness of 1 mm
- ⁵⁾ Standard clamping hub diameter

SC+ 100 MF 1-stage

				1-stage		
Ratio	<i>i</i>			1	2	
Max. torque ^{a) b) e)}	T_{2a}	<i>Nm</i>		97	97	
		<i>in.lb</i>		859	859	
Max. acceleration torque ^{b) e)} (max. 1000 cycles per hour)	T_{2B}	<i>Nm</i>		81	81	
		<i>in.lb</i>		717	717	
Nominal torque (at n_n)	T_{2N}	<i>Nm</i>		50	50	
		<i>in.lb</i>		443	443	
Emergency stop torque ^{a) b) e)} (permitted 1000 times during the service life of the gearbox)	T_{2Not}	<i>Nm</i>		135	160	
		<i>in.lb</i>		1195	1416	
Permitted average input speed (at T_{2a} and 20 °C ambient temperature) ^{d)}	n_{1N}	n_{1T}		2500	2800	
Max. input speed	n_{1Max}	<i>rpm</i>		4500	4500	
Mean no load running torque ^{b)} (at $n_1 = 3000$ rpm and 20 °C gearbox temperature)	T_{012}	<i>Nm</i>		3.4	2.2	
		<i>in.lb</i>		30	19	
Max. backlash	j_t	<i>arcmin</i>		Standard ≤ 4		
Torsional rigidity ^{b)}	C_{t21}	<i>Nm/arcmin</i>		2.9	4.6	
		<i>in.lb/arcmin</i>		26	41	
Max. axial force ^{c)}	F_{2AMax}	<i>N</i>		1900		
		<i>lb_f</i>		428		
Max. lateral force ^{c)}	F_{2OMax}	<i>N</i>		3800		
		<i>lb_f</i>		855		
Max. tilting moment	M_{2KMax}	<i>Nm</i>		439		
		<i>in.lb</i>		3886		
Efficiency at full load	η	<i>%</i>		97		
Service life	L_h	<i>h</i>		> 20000		
Weight (incl. standard adapter plate)	m	<i>kg</i>		7		
		<i>lb_m</i>		15		
Operating noise (at reference ratio and reference speed – ratio-specific values available in cymex [®])	L_{PA}	<i>dB(A)</i>		≤ 68		
Max. permitted housing temperature		<i>°C</i>		+90		
		<i>F</i>		194		
Ambient temperature		<i>°C</i>		0 to +40		
		<i>F</i>		32 to 104		
Lubrication				Lubricated for life		
Direction of rotation				In- and output same direction		
Protection class				IP 65		
Metal bellows coupling (recommended product type – validate sizing with cymex [®])				BC2 - 00080AA - 022.000 - X		
Bore diameter of coupling on the application side		<i>mm</i>		X = 014.000 - 042.000		
Mass moment of inertia (relates to the drive) Clamping hub diameter [mm]	H	28	J_1	<i>kgcm²</i>	7.1	4.8
				<i>10⁻³ in.lb.s²</i>	6.28	4.25
	K	38	J_1	<i>kgcm²</i>	14.2	11.9
				<i>10⁻³ in.lb.s²</i>	12.57	10.53

Please use our sizing software cymex[®] for a detailed sizing – www.wittenstein-cymex.com
Please contact us for optimum sizing at S1 conditions (Continuous operation).

^{a)} At max. 10 % F_{2OMax}

^{b)} Valid for standard clamping hub diameter

^{c)} Refers to center of the output shaft or flange

^{d)} Please reduce input speed at higher ambient temperatures

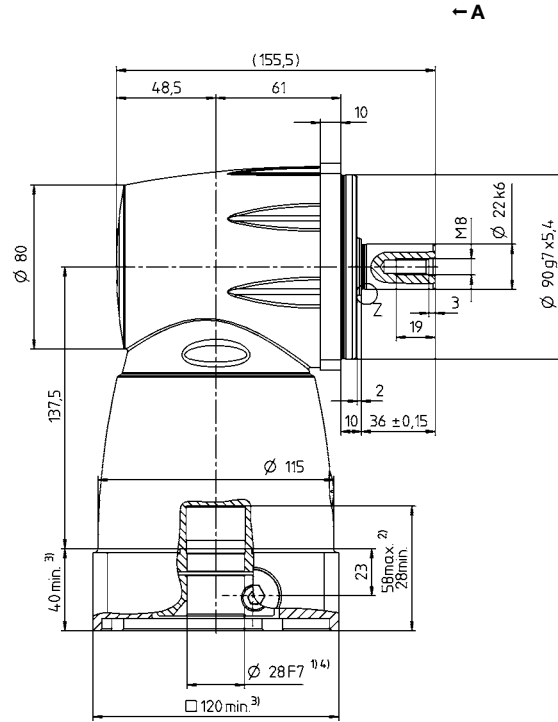
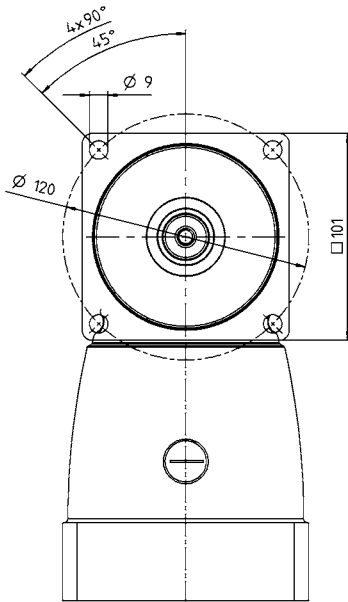
^{e)} Smooth shaft

View A

Motor shaft diameter [mm]

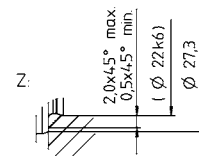
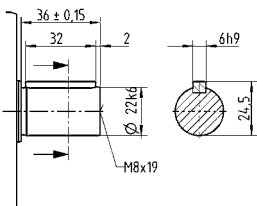
1-stage

up to 28/38⁴⁾
(H⁵⁾/K) clamping
hub diameter



Other output variants

Shaft with key



See technical data sheet for available clamping hub diameters (mass moment of inertia). Dimensions available on request.

Non-tolerated dimensions are nominal dimensions
1) Check motor shaft fit

2) Min./Max. permissible motor shaft length. Longer motor shafts are possible, please contact alpha.

3) The dimensions depend on the motor

4) Smaller motor shaft diameter is compensated by a bushing with a minimum thickness of 1 mm

5) Standard clamping hub diameter

SC+ 140 MF 1-stage

			1-stage			
Ratio	<i>i</i>		1	2		
Max. torque ^{a) b) e)}	T_{2a}	<i>Nm</i>	210	210		
		<i>in.lb</i>	1859	1859		
Max. acceleration torque ^{b) e)} (max. 1000 cycles per hour)	T_{2B}	<i>Nm</i>	175	175		
		<i>in.lb</i>	1549	1549		
Nominal torque (at n_n)	T_{2N}	<i>Nm</i>	110	110		
		<i>in.lb</i>	974	974		
Emergency stop torque ^{a) b) e)} (permitted 1000 times during the service life of the gearbox)	T_{2Not}	<i>Nm</i>	240	310		
		<i>in.lb</i>	2124	2744		
Permitted average input speed (at T_{2a} and 20 °C ambient temperature) ^{d)}	n_{1N}	n_{1T}	1600	2100		
Max. input speed	n_{1Max}	<i>rpm</i>	4500	4500		
Mean no load running torque ^{b)} (at $n_1 = 3000$ rpm and 20 °C gearbox temperature)	T_{012}	<i>Nm</i>	6.2	3.9		
		<i>in.lb</i>	55	35		
Max. backlash	j_t	<i>arcmin</i>	Standard ≤ 4			
Torsional rigidity ^{b)}	C_{t21}	<i>Nm/arcmin</i>	6.4	9.1		
		<i>in.lb/arcmin</i>	57	81		
Max. axial force ^{c)}	F_{2AMax}	<i>N</i>	3000			
		<i>lb_f</i>	675			
Max. lateral force ^{c)}	F_{2QMMax}	<i>N</i>	6000			
		<i>lb_f</i>	1350			
Max. tilting moment	M_{2KMMax}	<i>Nm</i>	957			
		<i>in.lb</i>	8470			
Efficiency at full load	η	<i>%</i>	97			
Service life	L_h	<i>h</i>	> 20000			
Weight (incl. standard adapter plate)	m	<i>kg</i>	14.7			
		<i>lb_m</i>	32			
Operating noise (at reference ratio and reference speed – ratio-specific values available in cymex [®])	L_{PA}	<i>dB(A)</i>	≤ 70			
			+90			
Max. permitted housing temperature		<i>°C</i>	+90			
		<i>F</i>	194			
Ambient temperature		<i>°C</i>	0 to +40			
		<i>F</i>	32 to 104			
Lubrication			Lubricated for life			
Direction of rotation			In- and output same direction			
Protection class			IP 65			
Metal bellows coupling (recommended product type – validate sizing with cymex [®])			BC2 - 00200AA - 032.000 - X			
		Bore diameter of coupling on the application side	<i>mm</i>	X = 022.000 - 045.000		
Mass moment of inertia (relates to the drive) Clamping hub diameter [mm]	K	38	J_1	<i>kgcm²</i>	41.3	21.3
				<i>10⁻³ in.lb.s²</i>	36.55	18.85

Please use our sizing software cymex[®] for a detailed sizing – www.wittenstein-cymex.com
Please contact us for optimum sizing at S1 conditions (Continuous operation).

^{a)} At max. 10 % F_{2QMax}

^{b)} Valid for standard clamping hub diameter

^{c)} Refers to center of the output shaft or flange

^{d)} Please reduce input speed at higher ambient temperatures

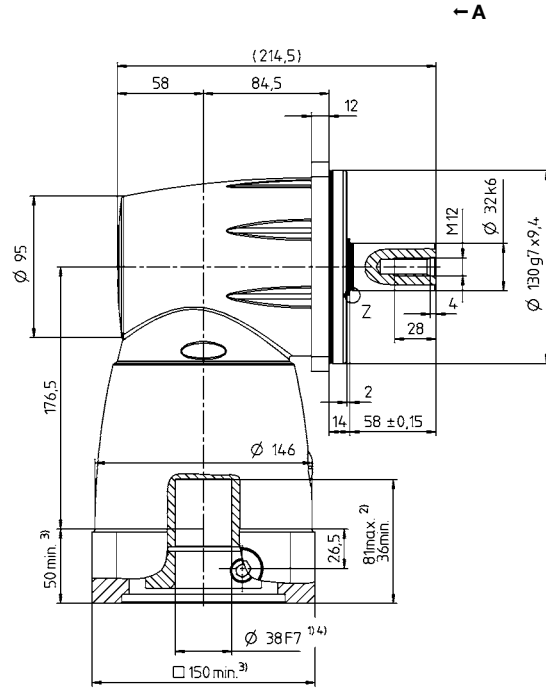
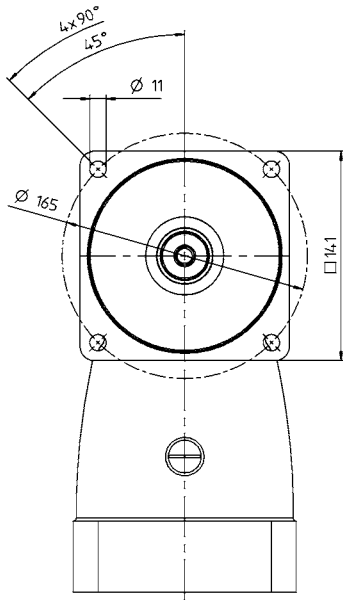
^{e)} Smooth shaft

View A

Motor shaft diameter [mm]

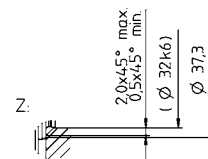
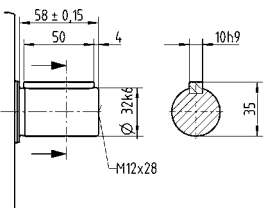
1-stage

up to 38⁴⁾ (K)⁵⁾
clamping hub diameter



Other output variants

Shaft with key



See technical data sheet for available clamping hub diameters (mass moment of inertia). Dimensions available on request.

- Non-tolerated dimensions are nominal dimensions
- ¹⁾ Check motor shaft fit
- ²⁾ Min./Max. permissible motor shaft length. Longer motor shafts are possible, please contact alpha.
- ³⁾ The dimensions depend on the motor
- ⁴⁾ Smaller motor shaft diameter is compensated by a bushing with a minimum thickness of 1 mm
- ⁵⁾ Standard clamping hub diameter

SC+ 180 MF 1-stage

				1-stage		
Ratio	<i>i</i>			1	2	
Max. torque ^{a) b) e)}	T_{2a}	<i>Nm</i>		378	378	
		<i>in.lb</i>		3346	3346	
Max. acceleration torque ^{b) e)} (max. 1000 cycles per hour)	T_{2B}	<i>Nm</i>		315	315	
		<i>in.lb</i>		2788	2788	
Nominal torque (at n_n)	T_{2N}	<i>Nm</i>		200	200	
		<i>in.lb</i>		1770	1770	
Emergency stop torque ^{a) b) e)} (permitted 1000 times during the service life of the gearbox)	T_{2Not}	<i>Nm</i>		390	685	
		<i>in.lb</i>		3452	6063	
Permitted average input speed (at T_{2a} and 20 °C ambient temperature) ^{d)}	n_{1N}	n_{1T}		1200	1500	
Max. input speed	n_{1Max}	<i>rpm</i>		4000	4000	
Mean no load running torque ^{b)} (at $n_1 = 3000$ rpm and 20 °C gearbox temperature)	T_{012}	<i>Nm</i>		14	8	
		<i>in.lb</i>		124	71	
Max. backlash	j_t	<i>arcmin</i>		Standard ≤ 3		
Torsional rigidity ^{b)}	C_{t21}	<i>Nm/arcmin</i>		13	22	
		<i>in.lb/arcmin</i>		115	195	
Max. axial force ^{c)}	F_{2AMax}	<i>N</i>		4500		
		<i>lb_f</i>		1013		
Max. lateral force ^{c)}	F_{2QMMax}	<i>N</i>		9000		
		<i>lb_f</i>		2025		
Max. tilting moment	M_{2KMMax}	<i>Nm</i>		1910		
		<i>in.lb</i>		16905		
Efficiency at full load	η	<i>%</i>		97		
Service life	L_h	<i>h</i>		> 20000		
Weight (incl. standard adapter plate)	<i>m</i>	<i>kg</i>		31.4		
		<i>lb_m</i>		69		
Operating noise (at reference ratio and reference speed – ratio-specific values available in cymex [®])	L_{PA}	<i>dB(A)</i>		≤ 70		
Max. permitted housing temperature		<i>°C</i>		+90		
		<i>F</i>		194		
Ambient temperature		<i>°C</i>		0 to +40		
		<i>F</i>		32 to 104		
Lubrication				Lubricated for life		
Direction of rotation				In- and output same direction		
Protection class				IP 65		
Metal bellows coupling (recommended product type – validate sizing with cymex [®])				BC2 - 00300AA - 040.000 - X		
Bore diameter of coupling on the application side		<i>mm</i>		X = 024.000 - 060.000		
Mass moment of inertia (relates to the drive) Clamping hub diameter [mm]	M	48	J_1	<i>kgcm²</i>	99.5	46.7
				<i>10⁻³ in.lb.s²</i>	88.06	41.33

Please use our sizing software cymex[®] for a detailed sizing – www.wittenstein-cymex.com
Please contact us for optimum sizing at S1 conditions (Continuous operation).

^{a)} At max. 10 % F_{2QMax}

^{b)} Valid for standard clamping hub diameter

^{c)} Refers to center of the output shaft or flange

^{d)} Please reduce input speed at higher ambient temperatures

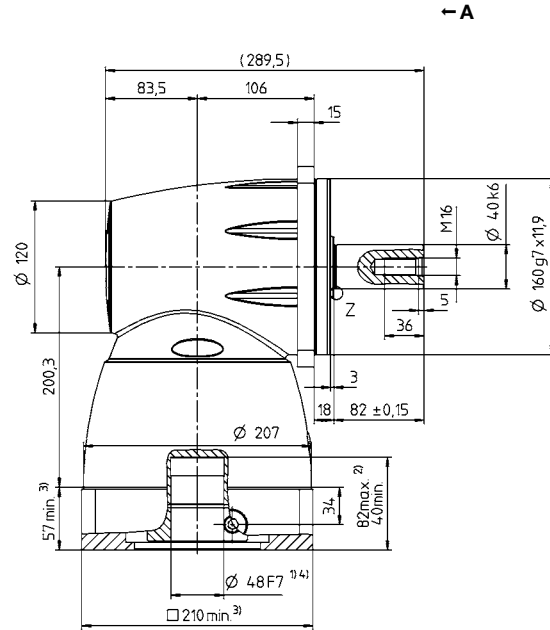
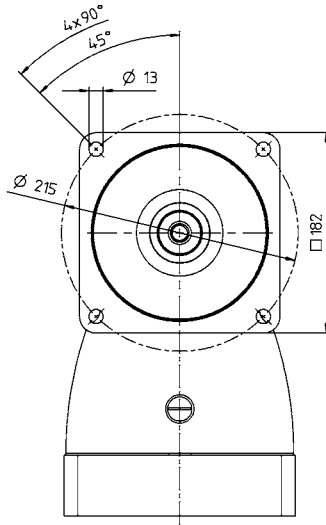
^{e)} Smooth shaft

View A

Motor shaft diameter [mm]

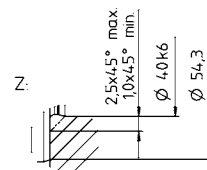
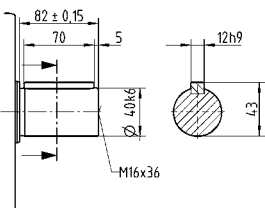
1-stage

up to 48⁴⁾ (M)⁵⁾
clamping hub diameter



Other output variants

Shaft with key



See technical data sheet for available clamping hub diameters (mass moment of inertia). Dimensions available on request.

- Non-tolerated dimensions are nominal dimensions
- ¹⁾ Check motor shaft fit
- ²⁾ Min./Max. permissible motor shaft length. Longer motor shafts are possible, please contact alpha.
- ³⁾ The dimensions depend on the motor
- ⁴⁾ Smaller motor shaft diameter is compensated by a bushing with a minimum thickness of 1 mm
- ⁵⁾ Standard clamping hub diameter

SPC+ 060 MF 2-stage

				2-stage							
Ratio	<i>i</i>			4	5	7	8	10	14	20	
Max. torque ^{a) b) e)}	T_{2a}	<i>Nm</i>		48	60	67	48	60	67	51	
		<i>in.lb</i>		425	531	593	425	531	593	451	
Max. acceleration torque ^{b) e)} (max. 1000 cycles per hour)	T_{2B}	<i>Nm</i>		40	50	50	40	50	50	38	
		<i>in.lb</i>		354	443	443	354	443	443	336	
Nominal torque (at n_{1N})	T_{2N}	<i>Nm</i>		26	26	26	26	26	26	17	
		<i>in.lb</i>		230	230	230	230	230	230	150	
Emergency stop torque ^{a) b) e)} (permitted 1000 times during the service life of the gearbox)	T_{2Not}	<i>Nm</i>		100	109	109	100	109	109	100	
		<i>in.lb</i>		885	965	965	885	965	965	885	
Permitted average input speed (at T_{2a} and 20 °C ambient temperature) ^{d)}	n_{1N}	n_{1T}		3000	3000	3200	3400	3400	3600	3600	
Max. input speed	n_{1Max}	<i>rpm</i>		6000	6000	6000	6000	6000	6000	6000	
Mean no load running torque ^{b)} (at $n_1 = 3000$ rpm and 20 °C gearbox temperature)	T_{012}	<i>Nm</i>		1.7	1.5	1.3	1	1	0.84	0.67	
		<i>in.lb</i>		15	13	12	8.9	8.9	7.4	5.9	
Max. backlash	j_t	<i>arcmin</i>		Standard ≤ 5 / Reduced ≤ 3							
Torsional rigidity ^{b)}	C_{t21}	<i>Nm/arcmin</i>		2.4	2.7	3.1	2.7	3	3.2	3.3	
		<i>in.lb/arcmin</i>		21	24	27	24	27	28	29	
Max. axial force ^{c)}	F_{2AMax}	<i>N</i>		2400							
		<i>lb_f</i>		540							
Max. lateral force ^{c)}	F_{2OMax}	<i>N</i>		2800							
		<i>lb_f</i>		630							
Max. tilting moment	M_{2KMax}	<i>Nm</i>		152							
		<i>in.lb</i>		1345							
Efficiency at full load	η	%		95							
Service life	L_h	<i>h</i>		> 20000							
Weight (incl. standard adapter plate)	m	<i>kg</i>		3.1							
		<i>lb_m</i>		7							
Operating noise (at reference ratio and reference speed – ratio-specific values available in cymex [®])	L_{PA}	<i>dB(A)</i>		≤ 68							
Max. permitted housing temperature		°C		+90							
		<i>F</i>		194							
Ambient temperature		°C		0 to +40							
		<i>F</i>		32 to 104							
Lubrication				Lubricated for life							
Direction of rotation				In- and output same direction							
Protection class				IP 65							
Metal bellows coupling (recommended product type – validate sizing with cymex [®])				BC2 - 00060AA - 016.000 - X							
Bore diameter of coupling on the application side		<i>mm</i>		X = 012.000 - 035.000							
Mass moment of inertia (relates to the drive) Clamping hub diameter [mm]	C	14	J_1	<i>kgcm²</i>	0.72	0.7	0.66	0.44	0.43	0.43	0.43
				<i>10⁻³ in.lb.s²</i>	0.64	0.62	0.58	0.39	0.38	0.38	0.38
	E	19	J_1	<i>kgcm²</i>	1.05	1.03	0.99	0.77	0.76	0.76	0.75
				<i>10⁻³ in.lb.s²</i>	1	1	1	1	1	1	1

Please use our sizing software cymex[®] for a detailed sizing – www.wittenstein-cymex.com
Please contact us for optimum sizing at S1 conditions (Continuous operation).

^{a)} At max. 10 % F_{2OMax}

^{b)} Valid for standard clamping hub diameter

^{c)} Refers to center of the output shaft or flange

^{d)} Please reduce input speed at higher ambient temperatures

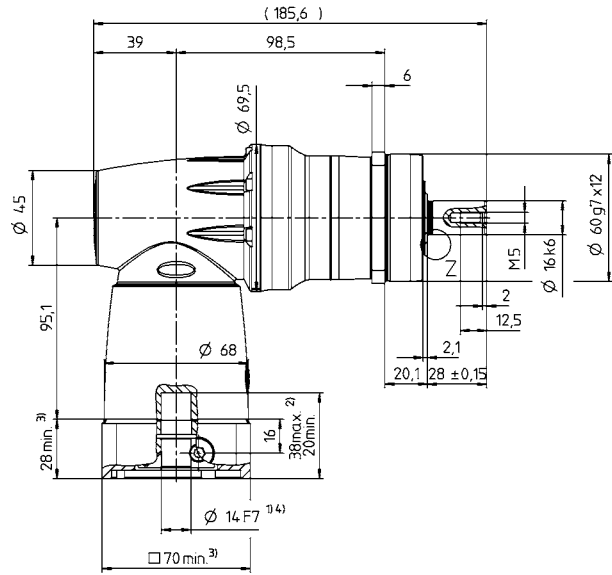
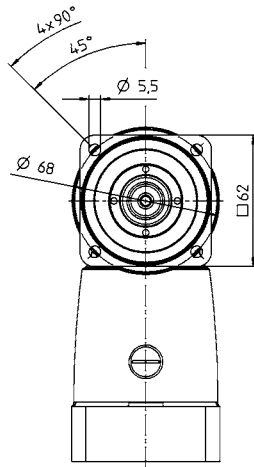
^{e)} Smooth shaft

View A

Motor shaft diameter [mm]

2-stage

up to 14/19⁴⁾
(C⁵⁾/E) clamping
hub diameter



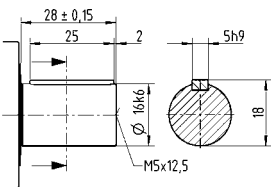
← A

Bevel gearboxes

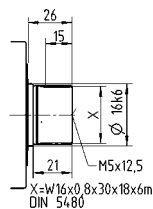
SPC

Other output variants

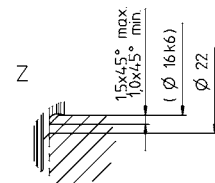
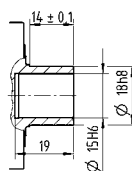
Shaft with key



Spined shaft (DIN 5480)



Shaft mounted



See technical data sheet for available clamping hub diameters (mass moment of inertia). Dimensions available on request.

Non-tolerated dimensions are nominal dimensions

- ¹⁾ Check motor shaft fit
- ²⁾ Min./Max. permissible motor shaft length. Longer motor shafts are possible, please contact alpha.
- ³⁾ The dimensions depend on the motor
- ⁴⁾ Smaller motor shaft diameter is compensated by a bushing with a minimum thickness of 1 mm
- ⁵⁾ Standard clamping hub diameter

SPC+ 075 MF 2-stage

				2-stage							
Ratio	<i>i</i>			4	5	7	8	10	14	20	
Max. torque ^{a) b) e)}	T_{2a}	<i>Nm</i>		144	176	176	144	176	176	152	
		<i>in.lb</i>		1275	1558	1558	1275	1558	1558	1345	
Max. acceleration torque ^{b) e)} (max. 1000 cycles per hour)	T_{2B}	<i>Nm</i>		120	132	132	120	132	132	114	
		<i>in.lb</i>		1062	1168	1168	1062	1168	1168	1009	
Nominal torque (at n_{1N})	T_{2N}	<i>Nm</i>		75	75	75	75	75	75	52	
		<i>in.lb</i>		664	664	664	664	664	664	460	
Emergency stop torque ^{a) b) e)} (permitted 1000 times during the service life of the gearbox)	T_{2Not}	<i>Nm</i>		192	240	250	248	250	250	250	
		<i>in.lb</i>		1699	2124	2213	2195	2213	2213	2213	
Permitted average input speed (at T_{2a} and 20 °C ambient temperature) ^{d)}	n_{1N}	n_{1T}		2200	2200	2400	2650	2650	2800	2800	
Max. input speed	n_{1Max}	<i>rpm</i>		6000	6000	6000	6000	6000	6000	6000	
Mean no load running torque ^{b)} (at $n_1 = 3000$ rpm and 20 °C gearbox temperature)	T_{012}	<i>Nm</i>		3.8	3.3	2.8	2.7	2.4	1.9	1.6	
		<i>in.lb</i>		34	29	25	24	21	17	14	
Max. backlash	j_t	<i>arcmin</i>		Standard ≤ 4 / Reduced ≤ 2							
Torsional rigidity ^{b)}	C_{t21}	<i>Nm/arcmin</i>		6.6	7.5	8.6	7.6	8.3	9.1	9.5	
		<i>in.lb/arcmin</i>		58	66	76	67	73	81	84	
Max. axial force ^{c)}	F_{2AMax}	<i>N</i>		3350							
		<i>lb_f</i>		754							
Max. lateral force ^{c)}	F_{2OMax}	<i>N</i>		4200							
		<i>lb_f</i>		945							
Max. tilting moment	M_{2KMax}	<i>Nm</i>		236							
		<i>in.lb</i>		2089							
Efficiency at full load	η	%		95							
Service life	L_h	<i>h</i>		> 20000							
Weight (incl. standard adapter plate)	<i>m</i>	<i>kg</i>		5.9							
		<i>lb_m</i>		13							
Operating noise (at reference ratio and reference speed – ratio-specific values available in cymex [®])	L_{PA}	<i>dB(A)</i>		≤ 68							
Max. permitted housing temperature		°C		+90							
		<i>F</i>		194							
Ambient temperature		°C		0 to +40							
		<i>F</i>		32 to 104							
Lubrication				Lubricated for life							
Direction of rotation				In- and output same direction							
Protection class				IP 65							
Metal bellows coupling (recommended product type – validate sizing with cymex [®])				BC2 - 00150AA - 022.000 - X							
Bore diameter of coupling on the application side		<i>mm</i>		X = 019.000 - 042.000							
Mass moment of inertia (relates to the drive) Clamping hub diameter [mm]	E	19	J_1	<i>kgcm²</i>	2.33	2.15	1.99	1.25	1.23	1.21	1.2
				<i>10⁻³ in.lb.s²</i>	2.06	1.9	1.76	1.11	1.09	1.07	1.06
	H	28	J_1	<i>kgcm²</i>	3.66	3.59	3.43	2.68	2.67	2.65	2.64
				<i>10⁻³ in.lb.s²</i>	3.24	3.18	3.04	2.37	2.36	2.35	2.34

Please use our sizing software cymex[®] for a detailed sizing – www.wittenstein-cymex.com
Please contact us for optimum sizing at S1 conditions (Continuous operation).

^{a)} At max. 10 % F_{2OMax}

^{b)} Valid for standard clamping hub diameter

^{c)} Refers to center of the output shaft or flange

^{d)} Please reduce input speed at higher ambient temperatures

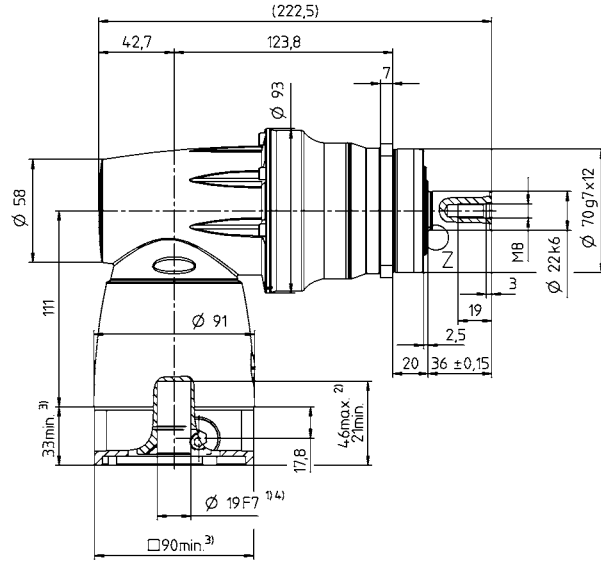
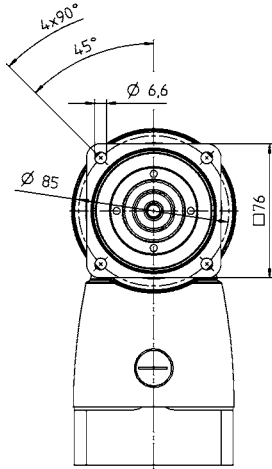
^{e)} Smooth shaft

View A

Motor shaft diameter [mm]

2-stage

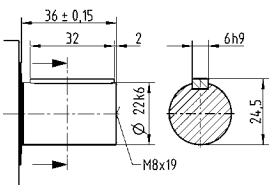
up to 19/28⁴⁾
(E⁵⁾/H) clamping
hub diameter



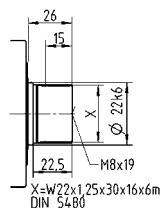
← A

Other output variants

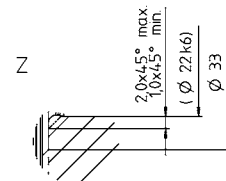
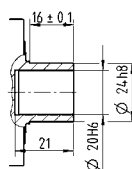
Shaft with key



Splined shaft (DIN 5480)



Shaft mounted



See technical data sheet for available clamping hub diameters (mass moment of inertia). Dimensions available on request.

Non-tolerated dimensions are nominal dimensions
1) Check motor shaft fit

2) Min./Max. permissible motor shaft length. Longer motor shafts are possible, please contact alpha.

3) The dimensions depend on the motor

4) Smaller motor shaft diameter is compensated by a bushing with a minimum thickness of 1 mm

5) Standard clamping hub diameter

SPC+ 100 MF 2-stage

				2-stage							
Ratio	<i>i</i>			4	5	7	8	10	14	20	
Max. torque ^{a) b) e)}	T_{2a}	<i>Nm</i>		389	486	428	389	486	428	376	
		<i>in.lb</i>		3443	4301	3788	3443	4301	3788	3328	
Max. acceleration torque ^{b) e)} (max. 1000 cycles per hour)	T_{2B}	<i>Nm</i>		324	378	378	324	378	378	282	
		<i>in.lb</i>		2868	3346	3346	2868	3346	3346	2496	
Nominal torque (at n_n)	T_{2N}	<i>Nm</i>		180	175	170	180	175	170	120	
		<i>in.lb</i>		1593	1549	1505	1593	1549	1505	1062	
Emergency stop torque ^{a) b) e)} (permitted 1000 times during the service life of the gearbox)	T_{2Not}	<i>Nm</i>		540	625	625	625	625	625	625	
		<i>in.lb</i>		4779	5532	5532	5532	5532	5532	5532	
Permitted average input speed (at T_{2a} and 20 °C ambient temperature) ^{d)}	n_{1N}	n_{1T}		2000	2000	2200	2300	2300	2400	2400	
Max. input speed	n_{1Max}	<i>rpm</i>		4500	4500	4500	4500	4500	4500	4500	
Mean no load running torque ^{b)} (at $n_i = 3000$ rpm and 20 °C gearbox temperature)	T_{012}	<i>Nm</i>		7.1	6.7	5.6	4.3	4	3.4	3.2	
		<i>in.lb</i>		63	59	50	38	35	30	28	
Max. backlash	j_t	<i>arcmin</i>		Standard ≤ 4 / Reduced ≤ 2							
Torsional rigidity ^{b)}	C_{t21}	<i>Nm/arcmin</i>		20	23	26	24	26	28	30	
		<i>in.lb/arcmin</i>		177	204	230	212	230	248	266	
Max. axial force ^{c)}	F_{2AMax}	<i>N</i>		5650							
		<i>lb_f</i>		1271							
Max. lateral force ^{c)}	F_{2OMax}	<i>N</i>		6600							
		<i>lb_f</i>		1485							
Max. tilting moment	M_{2KMax}	<i>Nm</i>		487							
		<i>in.lb</i>		4310							
Efficiency at full load	η	%		95							
Service life	L_h	<i>h</i>		> 20000							
Weight (incl. standard adapter plate)	<i>m</i>	<i>kg</i>		11.7							
		<i>lb_m</i>		26							
Operating noise (at reference ratio and reference speed – ratio-specific values available in cymex [®])	L_{PA}	<i>dB(A)</i>		≤ 68							
Max. permitted housing temperature		°C		+90							
		<i>F</i>		194							
Ambient temperature		°C		0 to +40							
		<i>F</i>		32 to 104							
Lubrication				Lubricated for life							
Direction of rotation				In- and output same direction							
Protection class				IP 65							
Metal bellows coupling (recommended product type – validate sizing with cymex [®])				BC2 - 00300AA - 032.000 - X							
Bore diameter of coupling on the application side		<i>mm</i>		X = 024.000 - 060.000							
Mass moment of inertia (relates to the drive) Clamping hub diameter [mm]	H	28	J_1	<i>kgcm²</i>	8	7.6	7	5	4.9	4.9	4.8
				<i>10⁻³ in.lb.s²</i>	7	7	6	4	4	4	4
	K	38	J_1	<i>kgcm²</i>	15	14.7	14.1	12.1	12	11.9	11.9
				<i>10⁻³ in.lb.s²</i>	13	13	12	11	11	11	11

Please use our sizing software cymex[®] for a detailed sizing – www.wittenstein-cymex.com
Please contact us for optimum sizing at S1 conditions (Continuous operation).

^{a)} At max. 10 % F_{2OMax}

^{b)} Valid for standard clamping hub diameter

^{c)} Refers to center of the output shaft or flange

^{d)} Please reduce input speed at higher ambient temperatures

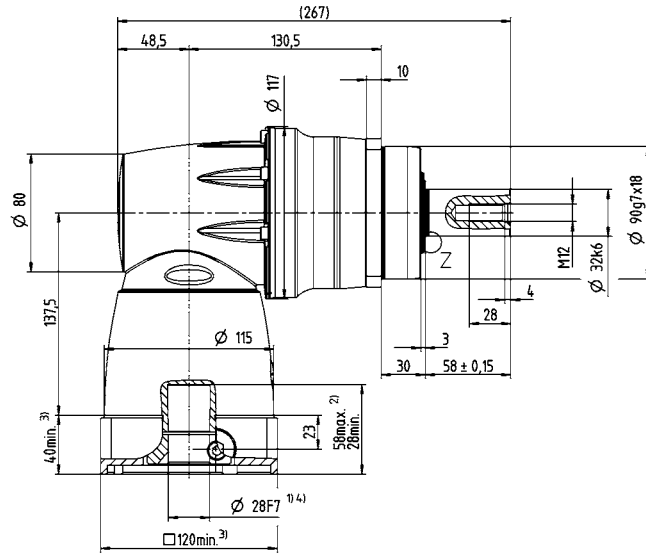
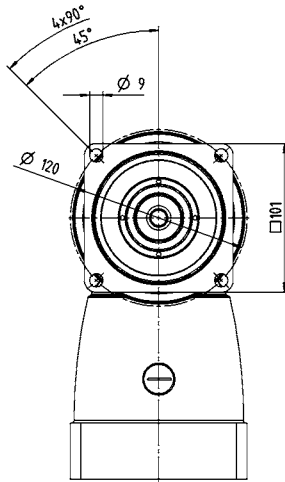
^{e)} Smooth shaft

View A

Motor shaft diameter [mm]

2-stage

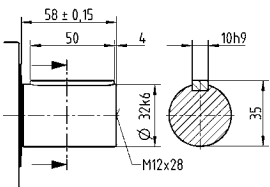
up to 28 / 38⁴⁾
(H⁵⁾ / K) clamping
hub diameter



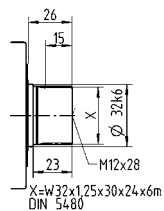
← A

Other output variants

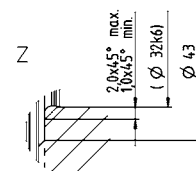
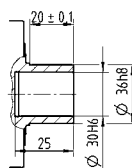
Shaft with key



Splined shaft (DIN 5480)



Shaft mounted



See technical data sheet for available clamping hub diameters (mass moment of inertia). Dimensions available on request.

Non-tolerated dimensions are nominal dimensions

- ¹⁾ Check motor shaft fit
- ²⁾ Min./Max. permissible motor shaft length. Longer motor shafts are possible, please contact alpha.
- ³⁾ The dimensions depend on the motor
- ⁴⁾ Smaller motor shaft diameter is compensated by a bushing with a minimum thickness of 1 mm
- ⁵⁾ Standard clamping hub diameter

SPC+ 140 MF 2-stage

				2-stage							
Ratio	<i>i</i>			4	5	7	8	10	14	20	
Max. torque ^{a) b) e)}	T_{2a}	<i>Nm</i>		840	1050	825	840	1050	825	720	
		<i>in.lb</i>		7435	9293	7302	7435	9293	7302	6373	
Max. acceleration torque ^{b) e)} (max. 1000 cycles per hour)	T_{2B}	<i>Nm</i>		700	792	792	700	792	792	636	
		<i>in.lb</i>		6196	7010	7010	6196	7010	7010	5629	
Nominal torque (at n_n)	T_{2N}	<i>Nm</i>		360	360	360	360	360	360	220	
		<i>in.lb</i>		3186	3186	3186	3186	3186	3186	1947	
Emergency stop torque ^{a) b) e)} (permitted 1000 times during the service life of the gearbox)	T_{2Not}	<i>Nm</i>		960	1200	1350	1240	1350	1350	1250	
		<i>in.lb</i>		8497	10621	11949	10975	11949	11949	11064	
Permitted average input speed (at T_{2a} and 20 °C ambient temperature) ^{d)}	n_{1N}	n_{1T}		1300	1300	1400	1500	1500	1600	1600	
Max. input speed	n_{1Max}	<i>rpm</i>		4500	4500	4500	4500	4500	4500	4500	
Mean no load running torque ^{b)} (at $n_1 = 3000$ rpm and 20 °C gearbox temperature)	T_{012}	<i>Nm</i>		15	13	11	11	9.2	7.8	6.6	
		<i>in.lb</i>		133	115	97	97	81	69	58	
Max. backlash	j_t	<i>arcmin</i>		Standard ≤ 4 / Reduced ≤ 2							
Torsional rigidity ^{b)}	C_{t21}	<i>Nm/arcmin</i>		37	41	46	41	45	48	51	
		<i>in.lb/arcmin</i>		327	363	407	363	398	425	451	
Max. axial force ^{c)}	F_{2AMax}	<i>N</i>		9870							
		<i>lb_f</i>		2221							
Max. lateral force ^{c)}	F_{2QMMax}	<i>N</i>		9900							
		<i>lb_f</i>		2228							
Max. tilting moment	M_{2KMMax}	<i>Nm</i>		952							
		<i>in.lb</i>		8426							
Efficiency at full load	η	<i>%</i>		95							
Service life	L_h	<i>h</i>		> 20000							
Weight (incl. standard adapter plate)	m	<i>kg</i>		24.7							
		<i>lb_m</i>		55							
Operating noise (at reference ratio and reference speed – ratio-specific values available in cymex [®])	L_{PA}	<i>dB(A)</i>		≤ 70							
Max. permitted housing temperature		<i>°C</i>		+90							
		<i>F</i>		194							
Ambient temperature		<i>°C</i>		0 to +40							
		<i>F</i>		32 to 104							
Lubrication				Lubricated for life							
Direction of rotation				In- and output same direction							
Protection class				IP 65							
Metal bellows coupling (recommended product type – validate sizing with cymex [®])				BC2 - 00800AA - 040.000 - X							
Bore diameter of coupling on the application side		<i>mm</i>		X = 040.000 - 075.000							
Mass moment of inertia (relates to the drive) Clamping hub diameter [mm]	K	38	J_1	<i>kgcm²</i>	30.6	29.7	27.9	18.9	18.7	18.5	18.4
				<i>10⁻³ in.lb.s²</i>	27	26	25	17	17	16	16

Please use our sizing software cymex[®] for a detailed sizing – www.wittenstein-cymex.com
Please contact us for optimum sizing at S1 conditions (Continuous operation).

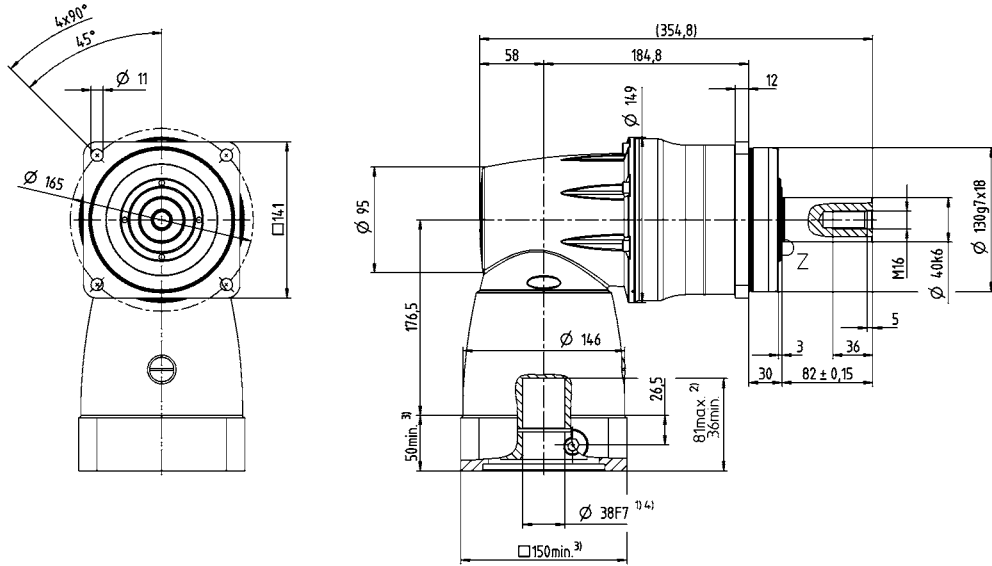
- ^{a)} At max. 10 % F_{2AMax}
- ^{b)} Valid for standard clamping hub diameter
- ^{c)} Refers to center of the output shaft or flange
- ^{d)} Please reduce input speed at higher ambient temperatures
- ^{e)} Smooth shaft

View A

← A

Motor shaft diameter [mm]

2-stage

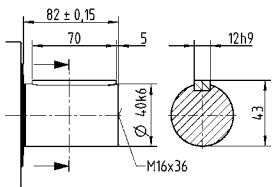
 up to 38⁴⁾ (K)⁵⁾
 clamping hub diameter


Bevel gearboxes

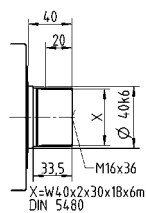
SPC

Other output variants

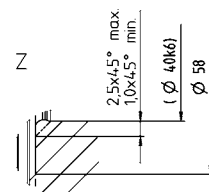
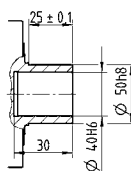
Shaft with key



Splined shaft (DIN 5480)



Shaft mounted



See technical data sheet for available clamping hub diameters (mass moment of inertia). Dimensions available on request.

Non-tolerated dimensions are nominal dimensions
¹⁾ Check motor shaft fit
²⁾ Min./Max. permissible motor shaft length. Longer motor shafts are possible, please contact alpha.
³⁾ The dimensions depend on the motor
⁴⁾ Smaller motor shaft diameter is compensated by a bushing with a minimum thickness of 1 mm
⁵⁾ Standard clamping hub diameter

SPC+ 180 MF 2-stage

				2-stage							
Ratio	<i>i</i>			4	5	7	8	10	14	20	
Max. torque ^{a) b) e)}	T_{2a}	<i>Nm</i>		1512	1890	1936	1512	1890	1936	1552	
		<i>in.lb</i>		13382	16728	17135	13382	16728	17135	13736	
Max. acceleration torque ^{b) e)} (max. 1000 cycles per hour)	T_{2B}	<i>Nm</i>		1260	1452	1452	1260	1452	1452	1164	
		<i>in.lb</i>		11152	12851	12851	11152	12851	12851	10302	
Nominal torque (at n_n)	T_{2N}	<i>Nm</i>		750	750	750	750	750	750	750	
		<i>in.lb</i>		6638	6638	6638	6638	6638	6638	6638	
Emergency stop torque ^{a) b) e)} (permitted 1000 times during the service life of the gearbox)	T_{2Not}	<i>Nm</i>		1560	1950	2730	2740	2750	2750	2750	
		<i>in.lb</i>		13807	17259	24163	24251	24340	24340	24340	
Permitted average input speed (at T_{2a} and 20 °C ambient temperature) ^{d)}	n_{1N}	n_{1T}		1000	1000	1100	1200	1200	1300	1300	
Max. input speed	n_{1Max}	<i>rpm</i>		4000	4000	4000	4000	4000	4000	4000	
Mean no load running torque ^{b)} (at $n_1 = 3000$ rpm and 20 °C gearbox temperature)	T_{012}	<i>Nm</i>		30	27	24	16	15	13	12	
		<i>in.lb</i>		266	239	212	142	133	115	106	
Max. backlash	j_t	<i>arcmin</i>		Standard ≤ 4 / Reduced ≤ 2							
Torsional rigidity ^{b)}	C_{t21}	<i>Nm/arcmin</i>		104	122	143	130	144	157	166	
		<i>in.lb/arcmin</i>		920	1080	1266	1151	1275	1390	1469	
Max. axial force ^{c)}	F_{2AMax}	<i>N</i>		15570							
		<i>lb_f</i>		3503							
Max. lateral force ^{c)}	F_{2QMMax}	<i>N</i>		15400							
		<i>lb_f</i>		3465							
Max. tilting moment	M_{2KMMax}	<i>Nm</i>		1600							
		<i>in.lb</i>		14161							
Efficiency at full load	η	<i>%</i>		95							
Service life	L_h	<i>h</i>		> 20000							
Weight (incl. standard adapter plate)	m	<i>kg</i>		54.7							
		<i>lb_m</i>		121							
Operating noise (at reference ratio and reference speed – ratio-specific values available in cymex [®])	L_{PA}	<i>dB(A)</i>		≤ 70							
Max. permitted housing temperature		<i>°C</i>		+90							
		<i>F</i>		194							
Ambient temperature		<i>°C</i>		0 to +40							
		<i>F</i>		32 to 104							
Lubrication				Lubricated for life							
Direction of rotation				In- and output same direction							
Protection class				IP 65							
Metal bellows coupling (recommended product type – validate sizing with cymex [®])				BC2 - 01500AA - 055.000 - X							
Bore diameter of coupling on the application side		<i>mm</i>		X = 050.000 - 080.000							
Mass moment of inertia (relates to the drive) Clamping hub diameter [mm]	M	48	J_1	<i>kgcm²</i>	109.5	105	94.7	49.2	48.1	46.9	46.2
				<i>10⁻³ in.lb.s²</i>	97	93	84	44	43	42	41

Please use our sizing software cymex[®] for a detailed sizing – www.wittenstein-cymex.com
Please contact us for optimum sizing at S1 conditions (Continuous operation).

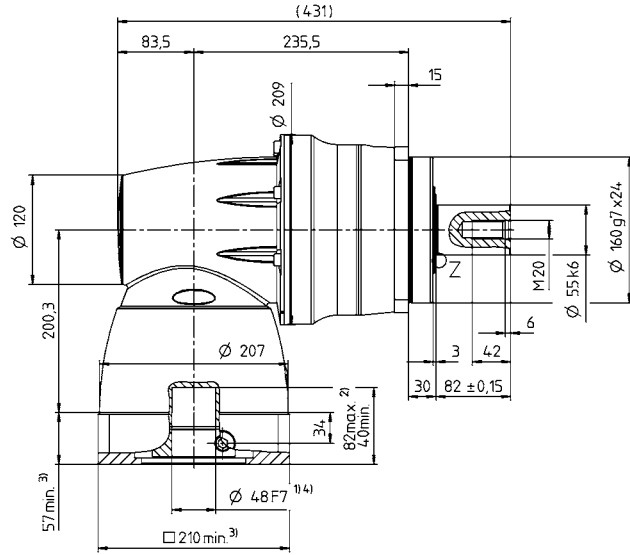
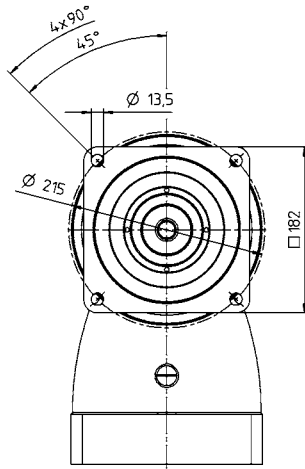
- ^{a)} At max. 10 % F_{2QMax}
- ^{b)} Valid for standard clamping hub diameter
- ^{c)} Refers to center of the output shaft or flange
- ^{d)} Please reduce input speed at higher ambient temperatures
- ^{e)} Smooth shaft

View A

Motor shaft diameter [mm]

2-stage

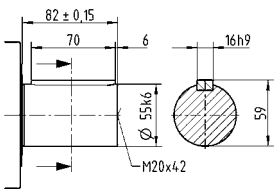
up to 48⁴⁾ (M)⁵⁾
clamping hub diameter



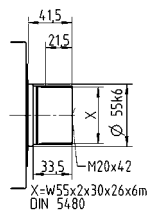
← A

Other output variants

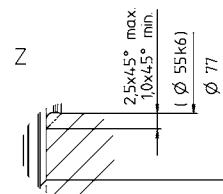
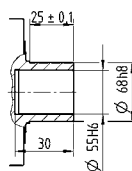
Shaft with key



Splined shaft (DIN 5480)



Shaft mounted



See technical data sheet for available clamping hub diameters (mass moment of inertia). Dimensions available on request.

- Non-tolerated dimensions are nominal dimensions
- ¹⁾ Check motor shaft fit
- ²⁾ Min./Max. permissible motor shaft length. Longer motor shafts are possible, please contact alpha.
- ³⁾ The dimensions depend on the motor
- ⁴⁾ Smaller motor shaft diameter is compensated by a bushing with a minimum thickness of 1 mm
- ⁵⁾ Standard clamping hub diameter

TPC+ 004 MF 2-stage

				2-stage							
Ratio	<i>i</i>			4	5	7	8	10	14	20	
Max. torque ^{a) b)}	T_{2a}	<i>Nm</i>		48	60	83	48	60	83	56	
		<i>in.lb</i>		425	531	735	425	531	735	496	
Max. acceleration torque ^{b)} (max. 1000 cycles per hour)	T_{2B}	<i>Nm</i>		40	50	66	40	50	66	42	
		<i>in.lb</i>		354	443	584	354	443	584	372	
Nominal torque (at n_n)	T_{2N}	<i>Nm</i>		28	28	28	28	28	28	18	
		<i>in.lb</i>		248	248	248	248	248	248	159	
Emergency stop torque ^{a) b)} (permitted 1000 times during the service life of the gearbox)	T_{2Not}	<i>Nm</i>		100	100	100	100	100	100	100	
		<i>in.lb</i>		885	885	885	885	885	885	885	
Permitted average input speed (at T_{2a} and 20 °C ambient temperature) ^{d)}	n_{1N}	n_{1T}		2900	2900	3100	3400	3400	3600	3600	
Max. input speed	n_{1Max}	<i>rpm</i>		6000	6000	6000	6000	6000	6000	6000	
Mean no load running torque ^{b)} (at $n_i = 3000$ rpm and 20 °C gearbox temperature)	T_{012}	<i>Nm</i>		2.1	1.8	1.5	1.3	1.2	1	0.84	
		<i>in.lb</i>		19	16	13	12	11	8.9	7.4	
Max. backlash	j_t	<i>arcmin</i>		Standard ≤ 5 / Reduced ≤ 3							
Torsional rigidity ^{b)}	C_{t21}	<i>Nm/arcmin</i>		4.8	6.2	7.6	6.1	7.4	8.5	7.3	
		<i>in.lb/arcmin</i>		42	55	67	54	65	75	65	
Tilting rigidity	C_{2K}	<i>Nm/arcmin</i>		85							
		<i>in.lb/arcmin</i>		752							
Max. axial force ^{c)}	F_{2AMax}	<i>N</i>		2119							
		<i>lb_f</i>		477							
Max. tilting moment	M_{2KMax}	<i>Nm</i>		110							
		<i>in.lb</i>		974							
Efficiency at full load	η	<i>%</i>		95							
Service life	L_h	<i>h</i>		> 20000							
Weight (incl. standard adapter plate)	m	<i>kg</i>		2.6							
		<i>lb_m</i>		6							
Operating noise (at reference ratio and reference speed – ratio-specific values available in cymex [®])	L_{PA}	<i>dB(A)</i>		≤ 68							
Max. permitted housing temperature		<i>°C</i>		+90							
		<i>F</i>		194							
Ambient temperature		<i>°C</i>		0 to +40							
		<i>F</i>		32 to 104							
Lubrication				Lubricated for life							
Direction of rotation				In- and output same direction							
Protection class				IP 65							
Metal bellows coupling (recommended product type – validate sizing with cymex [®])				BCT - 00015AAX - 031.500							
Bore diameter of coupling on the application side		<i>mm</i>		X = 012.000 - 028.000							
Mass moment of inertia (relates to the drive)	C	14	J_1	<i>kgcm²</i>	0.72	0.7	0.66	0.44	0.43	0.43	0.43
				<i>10⁻³ in.lb.s²</i>	0.64	0.62	0.58	0.39	0.38	0.38	0.38
Clamping hub diameter [mm]	E	19	J_1	<i>kgcm²</i>	1.05	1.03	0.99	0.77	0.76	0.76	0.75
				<i>10⁻³ in.lb.s²</i>	1	1	1	1	1	1	1

Please use our sizing software cymex[®] for a detailed sizing – www.wittenstein-cymex.com
Please contact us for optimum sizing at S1 conditions (Continuous operation).

^{a)} At max. 10 % M_{2KMax}

^{b)} Valid for standard clamping hub diameter

^{c)} Refers to center of the output shaft or flange

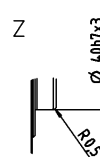
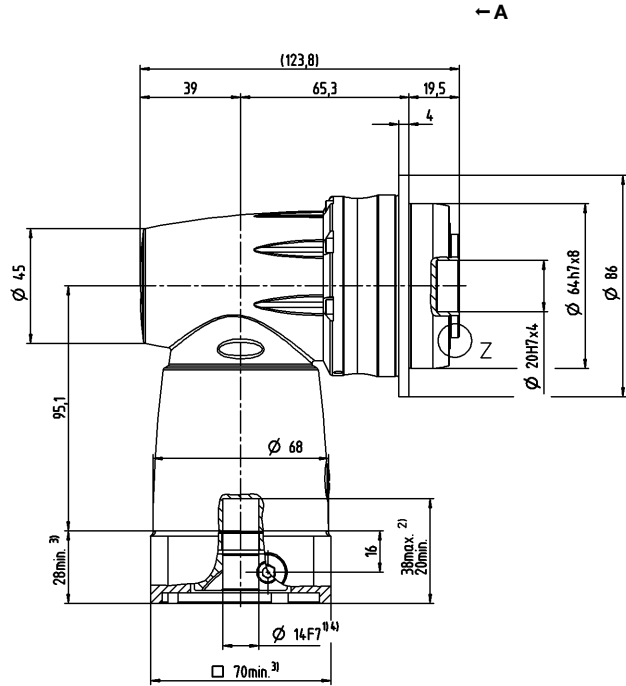
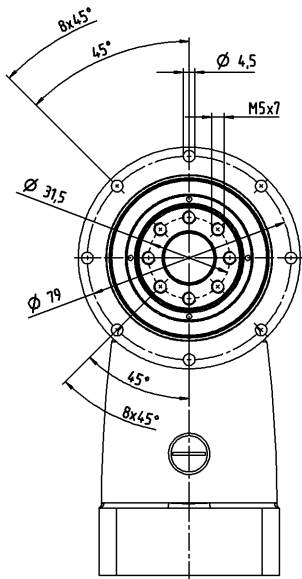
^{d)} Please reduce input speed at higher ambient temperatures

View A

Motor shaft diameter [mm]

2-stage

up to 14 / 19⁴⁾
(C⁵⁾ / E) clamping
hub diameter



See technical data sheet for available clamping hub diameters (mass moment of inertia). Dimensions available on request.

Non-tolerated dimensions are nominal dimensions

¹⁾ Check motor shaft fit

²⁾ Min./Max. permissible motor shaft length. Longer motor shafts are possible, please contact alpha.

³⁾ The dimensions depend on the motor

⁴⁾ Smaller motor shaft diameter is compensated by a bushing with a minimum thickness of 1 mm

⁵⁾ Standard clamping hub diameter

TPC+ 010 MF 2-stage

				2-stage							
Ratio	<i>i</i>			4	5	7	8	10	14	20	
Max. torque ^{a) b)}	T_{2a}	<i>Nm</i>		144	180	210	144	180	210	168	
		<i>in.lb</i>		1275	1593	1859	1275	1593	1859	1487	
Max. acceleration torque ^{b)} (max. 1000 cycles per hour)	T_{2B}	<i>Nm</i>		120	150	172	120	150	172	126	
		<i>in.lb</i>		1062	1328	1522	1062	1328	1522	1115	
Nominal torque (at n_n)	T_{2N}	<i>Nm</i>		75	75	75	75	75	75	60	
		<i>in.lb</i>		664	664	664	664	664	664	531	
Emergency stop torque ^{a) b)} (permitted 1000 times during the service life of the gearbox)	T_{2Not}	<i>Nm</i>		192	240	251	248	251	251	251	
		<i>in.lb</i>		1699	2124	2222	2195	2222	2222	2222	
Permitted average input speed (at T_{2a} and 20 °C ambient temperature) ^{d)}	n_{1N}	n_{1T}		2100	2100	2300	2650	2650	2800	2800	
Max. input speed	n_{1Max}	<i>rpm</i>		6000	6000	6000	6000	6000	6000	6000	
Mean no load running torque ^{b)} (at $n_1 = 3000$ rpm and 20 °C gearbox temperature)	T_{012}	<i>Nm</i>		4.2	3.7	3.2	2.9	2.7	2.1	1.9	
		<i>in.lb</i>		37	33	28	26	24	19	17	
Max. backlash	j_t	<i>arcmin</i>		Standard ≤ 4 / Reduced ≤ 2							
Torsional rigidity ^{b)}	C_{t21}	<i>Nm/arcmin</i>		12	16	20	16	20	23	21	
		<i>in.lb/arcmin</i>		106	142	177	142	177	204	186	
Tilting rigidity	C_{2K}	<i>Nm/arcmin</i>		225							
		<i>in.lb/arcmin</i>		1991							
Max. axial force ^{c)}	F_{2AMax}	<i>N</i>		2795							
		<i>lb_f</i>		629							
Max. tilting moment	M_{2KMax}	<i>Nm</i>		270							
		<i>in.lb</i>		2390							
Efficiency at full load	η	%		95							
Service life	L_h	<i>h</i>		> 20000							
Weight (incl. standard adapter plate)	m	<i>kg</i>		5.8							
		<i>lb_m</i>		13							
Operating noise (at reference ratio and reference speed – ratio-specific values available in cymex [®])	L_{PA}	<i>dB(A)</i>		≤ 68							
Max. permitted housing temperature		°C		+90							
		<i>F</i>		194							
Ambient temperature		°C		0 to +40							
		<i>F</i>		32 to 104							
Lubrication				Lubricated for life							
Direction of rotation				In- and output same direction							
Protection class				IP 65							
Metal bellows coupling (recommended product type – validate sizing with cymex [®])				BCT - 00060AAX - 050.000							
Bore diameter of coupling on the application side		<i>mm</i>		X = 014.000 - 035.000							
Mass moment of inertia (relates to the drive) Clamping hub diameter [mm]	E	19	J_1	<i>kgcm²</i>	2.41	2.27	1.99	1.29	1.26	1.22	1.21
				<i>10⁻³ in.lb.s²</i>	2.13	2.01	1.76	1.14	1.12	1.08	1.07
	H	28	J_1	<i>kgcm²</i>	3.85	3.71	3.43	2.73	2.7	2.66	2.64
				<i>10⁻³ in.lb.s²</i>	3.41	3.28	3.04	2.42	2.39	2.35	2.34

Please use our sizing software cymex[®] for a detailed sizing – www.wittenstein-cymex.com
Please contact us for optimum sizing at S1 conditions (Continuous operation).

^{a)} At max. 10 % M_{2KMax}

^{b)} Valid for standard clamping hub diameter

^{c)} Refers to center of the output shaft or flange

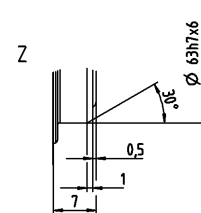
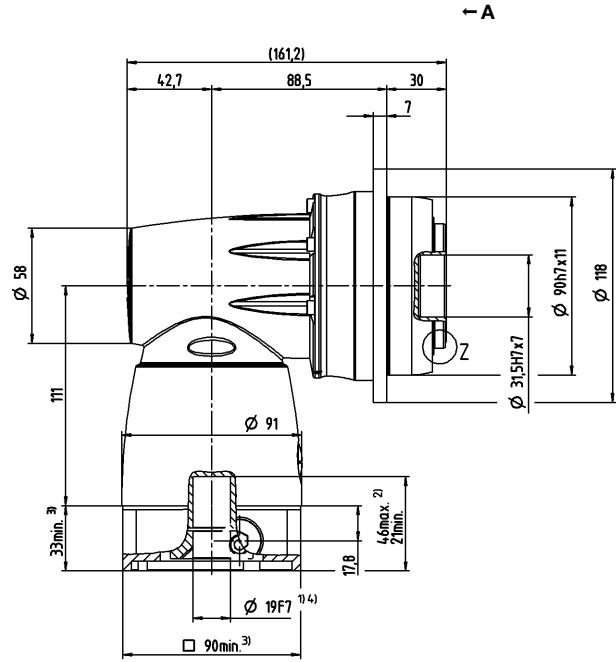
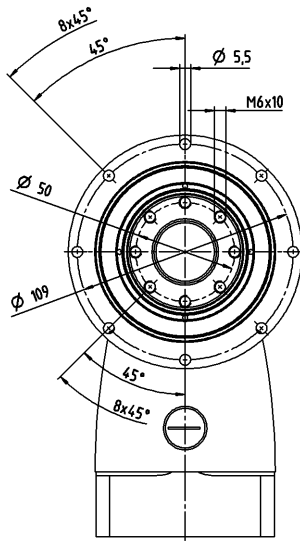
^{d)} Please reduce input speed at higher ambient temperatures

View A

Motor shaft diameter [mm]

2-stage

up to 19/28⁴⁾
(E⁵⁾/H) clamping
hub diameter



See technical data sheet for available clamping hub diameters (mass moment of inertia). Dimensions available on request.

Non-tolerated dimensions are nominal dimensions
1) Check motor shaft fit

2) Min./Max. permissible motor shaft length. Longer motor shafts are possible, please contact alpha.

3) The dimensions depend on the motor

4) Smaller motor shaft diameter is compensated by a bushing with a minimum thickness of 1 mm

5) Standard clamping hub diameter

TPC+ 025 MF 2-stage

				2-stage							
Ratio	<i>i</i>			4	5	7	8	10	14	20	
Max. torque ^{a) b)}	T_{2a}	<i>Nm</i>		352	380	352	352	380	352	352	
		<i>in.lb</i>		3115	3363	3115	3115	3363	3115	3115	
Max. acceleration torque ^{b)} (max. 1000 cycles per hour)	T_{2B}	<i>Nm</i>		324	380	352	324	380	352	318	
		<i>in.lb</i>		2868	3363	3115	2868	3363	3115	2815	
Nominal torque (at n_n)	T_{2N}	<i>Nm</i>		170	170	170	180	175	170	120	
		<i>in.lb</i>		1505	1505	1505	1593	1549	1505	1062	
Emergency stop torque ^{a) b)} (permitted 1000 times during the service life of the gearbox)	T_{2Not}	<i>Nm</i>		540	625	625	625	625	625	625	
		<i>in.lb</i>		4779	5532	5532	5532	5532	5532	5532	
Permitted average input speed (at T_{2a} and 20 °C ambient temperature) ^{d)}	n_{1N}	n_{1T}		1900	1900	2100	2300	2300	2400	2400	
Max. input speed	n_{1Max}	<i>rpm</i>		4500	4500	4500	4500	4500	4500	4500	
Mean no load running torque ^{b)} (at $n_i = 3000$ rpm and 20 °C gearbox temperature)	T_{012}	<i>Nm</i>		7.9	7.1	6.1	4.7	4.3	3.7	3.2	
		<i>in.lb</i>		70	63	54	42	38	33	28	
Max. backlash	j_t	<i>arcmin</i>		Standard ≤ 4 / Reduced ≤ 2							
Torsional rigidity ^{b)}	C_{t21}	<i>Nm/arcmin</i>		33	43	53	45	56	61	57	
		<i>in.lb/arcmin</i>		292	381	469	398	496	540	504	
Tilting rigidity	C_{2K}	<i>Nm/arcmin</i>		550							
		<i>in.lb/arcmin</i>		4868							
Max. axial force ^{c)}	F_{2AMax}	<i>N</i>		4800							
		<i>lb_f</i>		1080							
Max. tilting moment	M_{2KMax}	<i>Nm</i>		440							
		<i>in.lb</i>		3894							
Efficiency at full load	η	<i>%</i>		95							
Service life	L_h	<i>h</i>		> 20000							
Weight (incl. standard adapter plate)	m	<i>kg</i>		10.5							
		<i>lb_m</i>		23							
Operating noise (at reference ratio and reference speed – ratio-specific values available in cymex [®])	L_{PA}	<i>dB(A)</i>		≤ 68							
Max. permitted housing temperature		<i>°C</i>		+90							
		<i>F</i>		194							
Ambient temperature		<i>°C</i>		0 to +40							
		<i>F</i>		32 to 104							
Lubrication				Lubricated for life							
Direction of rotation				In- and output same direction							
Protection class				IP 65							
Metal bellows coupling (recommended product type – validate sizing with cymex [®])				BCT - 00150AAX - 063.000							
Bore diameter of coupling on the application side		<i>mm</i>		X = 019.000 - 042.000							
Mass moment of inertia (relates to the drive)	H	28	J_1	<i>kgcm²</i>	8.3	7.9	7	5.1	5	4.9	4.8
				<i>10⁻³ in.lb.s²</i>	7	7	6	5	4	4	4
Clamping hub diameter [mm]	K	38	J_1	<i>kgcm²</i>	15.4	14.9	14.1	12.2	12.1	12	11.9
				<i>10⁻³ in.lb.s²</i>	14	13	12	11	11	11	11

Please use our sizing software cymex[®] for a detailed sizing – www.wittenstein-cymex.com
Please contact us for optimum sizing at S1 conditions (Continuous operation).

^{a)} At max. 10 % M_{2KMax}

^{b)} Valid for standard clamping hub diameter

^{c)} Refers to center of the output shaft or flange

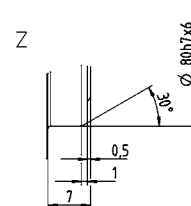
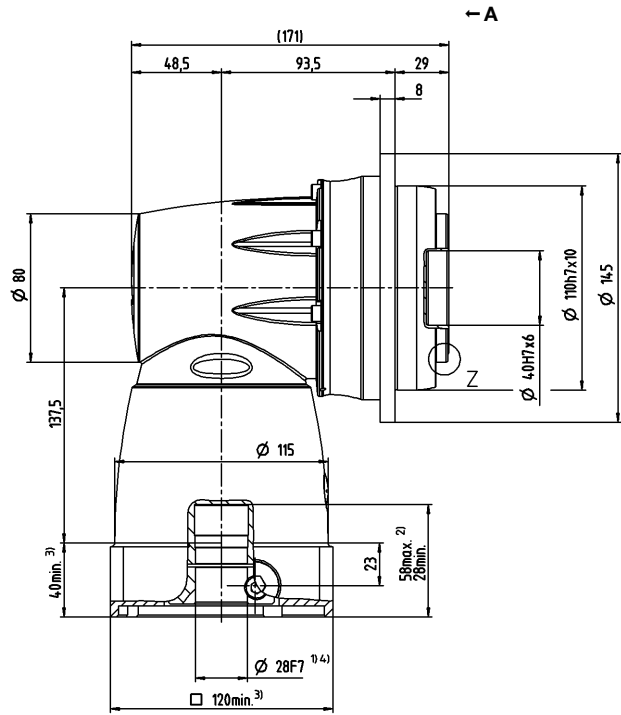
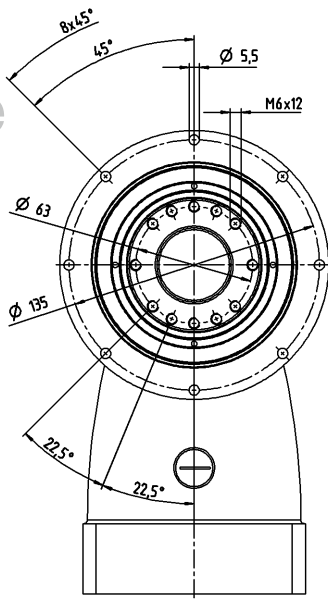
^{d)} Please reduce input speed at higher ambient temperatures

View A

Motor shaft diameter [mm]

2-stage

up to 28/38⁴⁾
(H⁵⁾/K) clamping
hub diameter



See technical data sheet for available clamping hub diameters (mass moment of inertia). Dimensions available on request.

Non-tolerated dimensions are nominal dimensions

- ¹⁾ Check motor shaft fit
- ²⁾ Min./Max. permissible motor shaft length. Longer motor shafts are possible, please contact alpha.
- ³⁾ The dimensions depend on the motor
- ⁴⁾ Smaller motor shaft diameter is compensated by a bushing with a minimum thickness of 1 mm
- ⁵⁾ Standard clamping hub diameter

TPC+ 050 MF 2-stage

			2-stage								
Ratio	<i>i</i>		4	5	7	8	10	14	20		
Max. torque ^{a) b)}	T_{2a}	Nm	840	992	868	840	992	868	720		
		in.lb	7435	8780	7682	7435	8780	7682	6373		
Max. acceleration torque ^{b)} (max. 1000 cycles per hour)	T_{2B}	Nm	700	840	840	700	840	840	648		
		in.lb	6196	7435	7435	6196	7435	7435	5735		
Nominal torque (at n_n)	T_{2N}	Nm	370	370	370	370	370	370	240		
		in.lb	3275	3275	3275	3275	3275	3275	2124		
Emergency stop torque ^{a) b)} (permitted 1000 times during the service life of the gearbox)	T_{2Not}	Nm	960	1200	1250	1240	1250	1250	1250		
		in.lb	8497	10621	11064	10975	11064	11064	11064		
Permitted average input speed (at T_{2a} and 20 °C ambient temperature) ^{d)}	n_{1N}	n_{1T}	1200	1200	1300	1500	1500	1600	1600		
Max. input speed	n_{1Max}	rpm	4500	4500	4500	4500	4500	4500	4500		
Mean no load running torque ^{b)} (at $n_1 = 3000$ rpm and 20 °C gearbox temperature)	T_{012}	Nm	19	16	14	13	11	9.4	7.8		
		in.lb	168	142	124	115	97	83	69		
Max. backlash	j_t	arcmin	Standard ≤ 4 / Reduced ≤ 2								
Torsional rigidity ^{b)}	C_{t21}	Nm/arcmin	73	93	111	93	113	124	111		
		in.lb/arcmin	646	823	982	823	1000	1097	982		
Tilting rigidity	C_{2K}	Nm/arcmin	560								
		in.lb/arcmin	4956								
Max. axial force ^{c)}	F_{2AMax}	N	6130								
		lb _f	1379								
Max. tilting moment	M_{2KMax}	Nm	1379								
		in.lb	12205								
Efficiency at full load	η	%	95								
Service life	L_h	h	> 20000								
Weight (incl. standard adapter plate)	m	kg	21.5								
		lb _m	48								
Operating noise (at reference ratio and reference speed – ratio-specific values available in cymex [®])	L_{PA}	dB(A)	≤ 70								
Max. permitted housing temperature		°C	+90								
		F	194								
Ambient temperature		°C	0 to +40								
		F	32 to 104								
Lubrication			Lubricated for life								
Direction of rotation			In- and output same direction								
Protection class			IP 65								
Metal bellows coupling (recommended product type – validate sizing with cymex [®])			BCT - 00300AAX - 080.000								
Bore diameter of coupling on the application side		mm	X = 024.000 - 060.000								
Mass moment of inertia (relates to the drive) Clamping hub diameter [mm]	K	38	J_1	kgcm ²	32.3	30.8	27.9	19.4	19	18.7	18.5
				10 ⁻³ in.lb.s ²	29	27	25	17	17	17	16

Please use our sizing software cymex[®] for a detailed sizing – www.wittenstein-cymex.com
Please contact us for optimum sizing at S1 conditions (Continuous operation).

^{a)} At max. 10 % M_{2KMax}

^{b)} Valid for standard clamping hub diameter

^{c)} Refers to center of the output shaft or flange

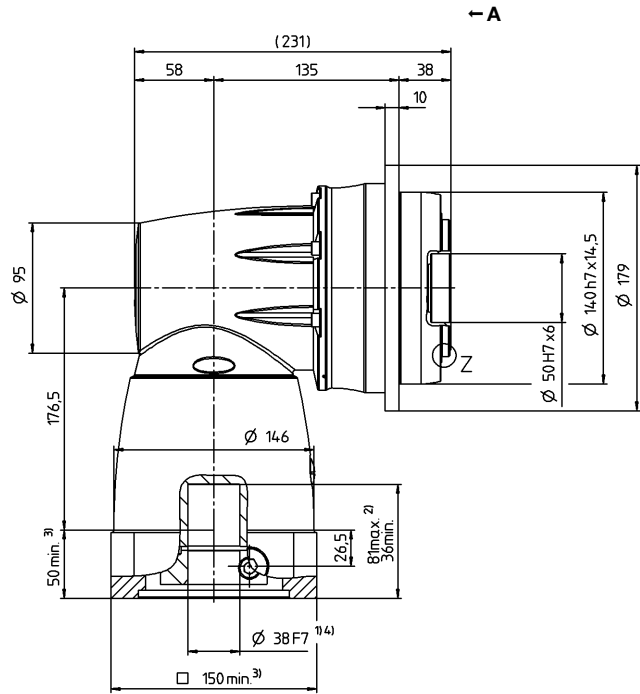
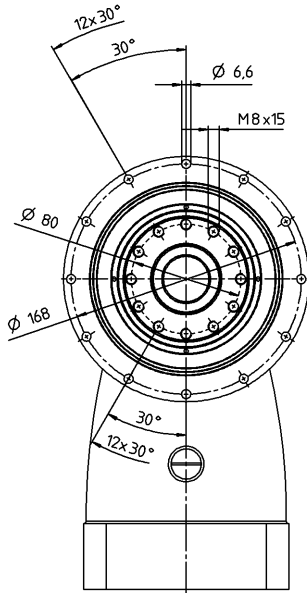
^{d)} Please reduce input speed at higher ambient temperatures

View A

Motor shaft diameter [mm]

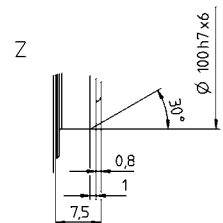
2-stage

up to 38⁴⁾ (K)⁵⁾
clamping hub diameter



Bevel gearboxes

TPC+



See technical data sheet for available clamping hub diameters (mass moment of inertia). Dimensions available on request.

- Non-tolerated dimensions are nominal dimensions
- ¹⁾ Check motor shaft fit
- ²⁾ Min./Max. permissible motor shaft length. Longer motor shafts are possible, please contact alpha.
- ³⁾ The dimensions depend on the motor
- ⁴⁾ Smaller motor shaft diameter is compensated by a bushing with a minimum thickness of 1 mm
- ⁵⁾ Standard clamping hub diameter

TPC+ 110 MF 2-stage

				2-stage							
Ratio	<i>i</i>			4	5	7	8	10	14	20	
Max. torque ^{a) b)}	T_{2a}	<i>Nm</i>		1512	1890	2560	1512	1890	2560	2240	
		<i>in.lb</i>		13382	16728	22658	13382	16728	22658	19826	
Max. acceleration torque ^{b)} (max. 1000 cycles per hour)	T_{2B}	<i>Nm</i>		1260	1575	1920	1260	1575	1920	1680	
		<i>in.lb</i>		11152	13940	16994	11152	13940	16994	14869	
Nominal torque (at n_n)	T_{2N}	<i>Nm</i>		700	750	750	700	750	750	750	
		<i>in.lb</i>		6196	6638	6638	6196	6638	6638	6638	
Emergency stop torque ^{a) b)} (permitted 1000 times during the service life of the gearbox)	T_{2Not}	<i>Nm</i>		1560	1950	2730	2740	3075	3075	3075	
		<i>in.lb</i>		13807	17259	24163	24251	27216	27216	27216	
Permitted average input speed (at T_{2a} and 20 °C ambient temperature) ^{d)}	n_{1N}	n_{1T}		900	900	1000	1200	1200	1300	1300	
Max. input speed	n_{1Max}	<i>rpm</i>		4000	4000	4000	4000	4000	4000	4000	
Mean no load running torque ^{b)} (at $n_1 = 3000$ rpm and 20 °C gearbox temperature)	T_{012}	<i>Nm</i>		37	32	28	20	17	15	13	
		<i>in.lb</i>		327	283	248	177	150	133	115	
Max. backlash	j_t	<i>arcmin</i>		Standard ≤ 4 / Reduced ≤ 2							
Torsional rigidity ^{b)}	C_{t21}	<i>Nm/arcmin</i>		181	242	324	278	345	407	390	
		<i>in.lb/arcmin</i>		1602	2142	2868	2461	3054	3602	3452	
Tilting rigidity	C_{2K}	<i>Nm/arcmin</i>		1452							
		<i>in.lb/arcmin</i>		12851							
Max. axial force ^{c)}	F_{2AMax}	<i>N</i>		10050							
		<i>lb_f</i>		2261							
Max. tilting moment	M_{2KMax}	<i>Nm</i>		3280							
		<i>in.lb</i>		29031							
Efficiency at full load	η	<i>%</i>		95							
Service life	L_h	<i>h</i>		> 20000							
Weight (incl. standard adapter plate)	m	<i>kg</i>		50.7							
		<i>lb_m</i>		112							
Operating noise (at reference ratio and reference speed – ratio-specific values available in cymex [®])	L_{PA}	<i>dB(A)</i>		≤ 70							
Max. permitted housing temperature		<i>°C</i>		+90							
		<i>F</i>		194							
Ambient temperature		<i>°C</i>		0 to +40							
		<i>F</i>		32 to 104							
Lubrication				Lubricated for life							
Direction of rotation				In- and output same direction							
Protection class				IP 65							
Metal bellows coupling (recommended product type – validate sizing with cymex [®])				BCT - 01500AAX - 125.000							
Bore diameter of coupling on the application side		<i>mm</i>		X = 050.000 - 080.000							
Mass moment of inertia (relates to the drive) Clamping hub diameter [mm]	M	48	J_1	<i>kgcm²</i>	121.2	112.6	94.7	52.1	50	47.9	46.7
				<i>10⁻³ in.lb.s²</i>	107	100	84	46	44	42	41

Please use our sizing software cymex[®] for a detailed sizing – www.wittenstein-cymex.com
Please contact us for optimum sizing at S1 conditions (Continuous operation).

^{a)} At max. 10 % M_{2KMax}

^{b)} Valid for standard clamping hub diameter

^{c)} Refers to center of the output shaft or flange

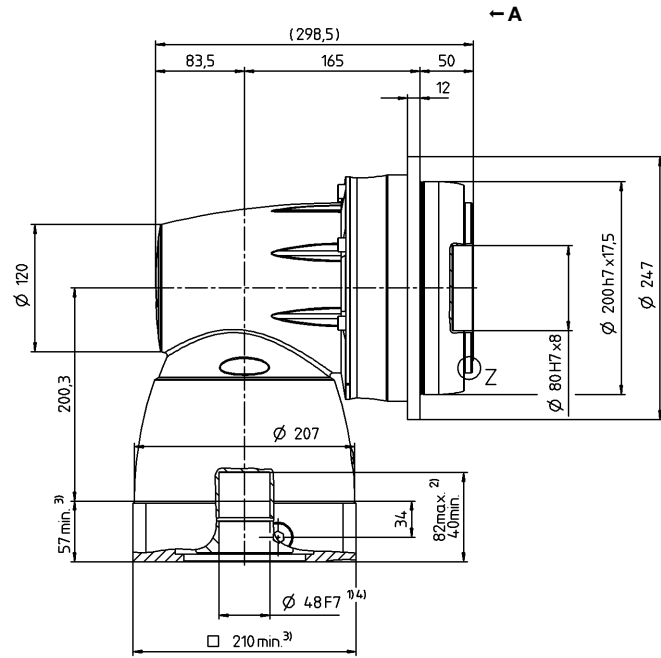
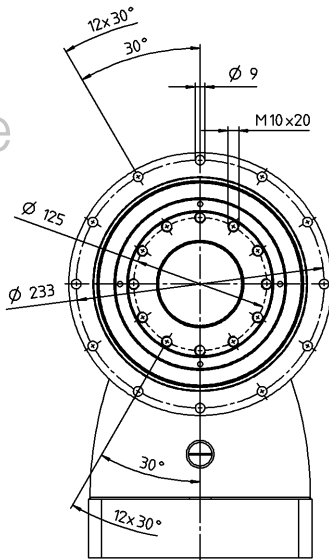
^{d)} Please reduce input speed at higher ambient temperatures

View A

Motor shaft diameter [mm]

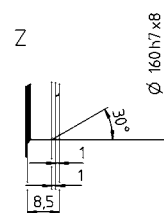
2-stage

up to 48⁴⁾ (M)⁵⁾
clamping hub diameter



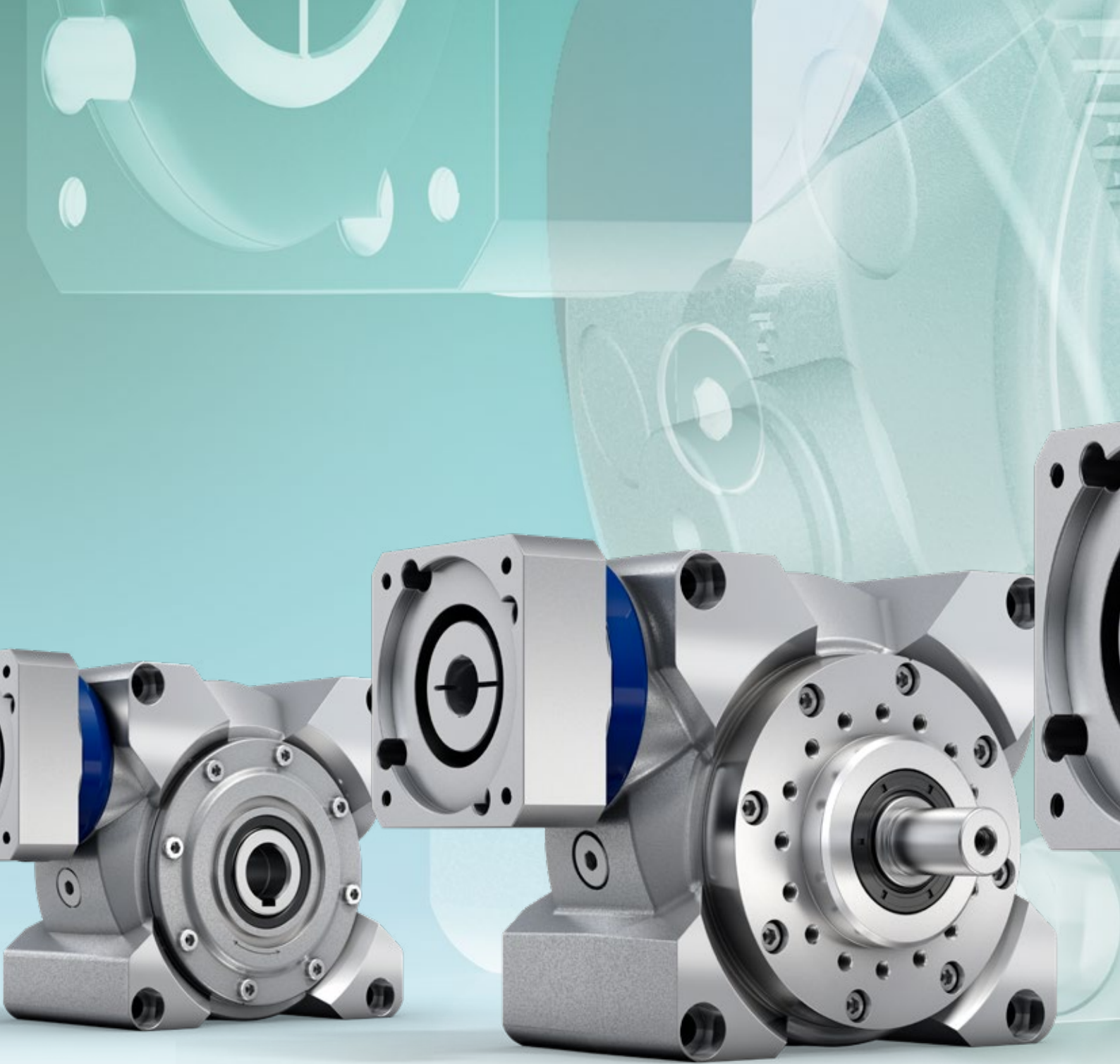
Bevel gearboxes

TPC+

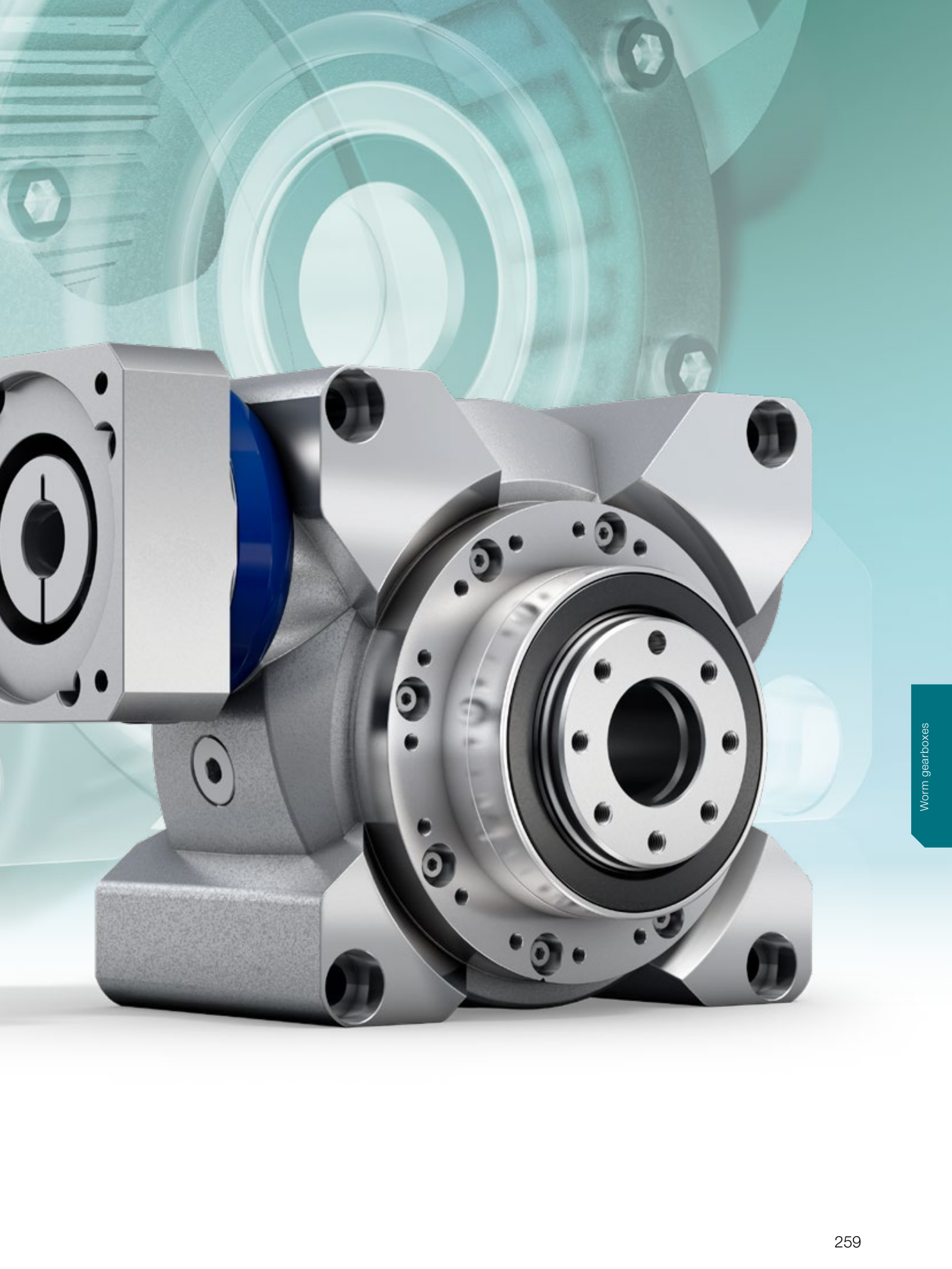


See technical data sheet for available clamping hub diameters (mass moment of inertia). Dimensions available on request.

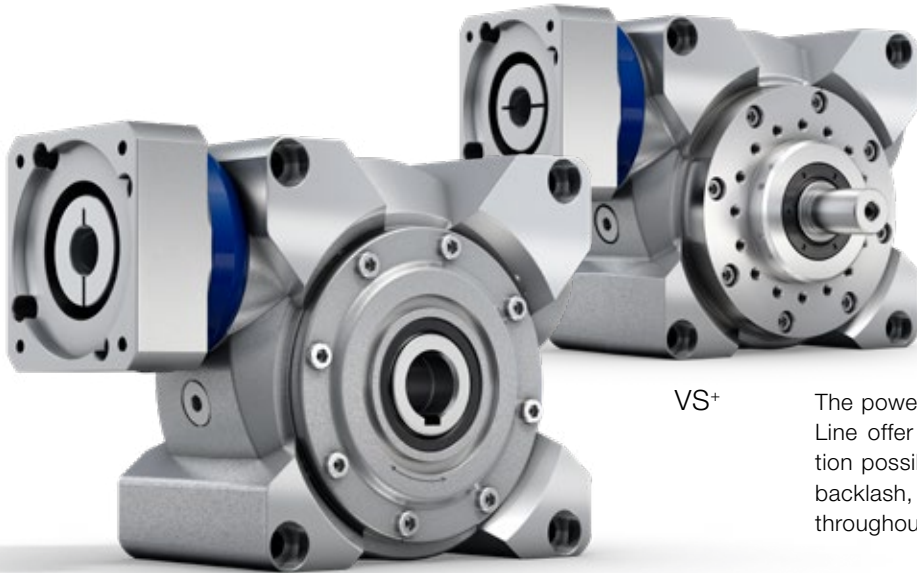
- Non-tolerated dimensions are nominal dimensions
- ¹⁾ Check motor shaft fit
- ²⁾ Min./Max. permissible motor shaft length. Longer motor shafts are possible, please contact alpha.
- ³⁾ The dimensions depend on the motor
- ⁴⁾ Smaller motor shaft diameter is compensated by a bushing with a minimum thickness of 1 mm
- ⁵⁾ Standard clamping hub diameter



Worm gearboxes VH⁺ / VS⁺ / VT⁺
Flexible powerhouses



VH+ / VS+ / VT+ – Precision worm gearboxes



VH+

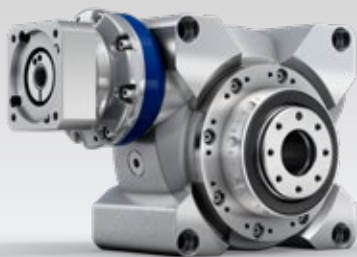
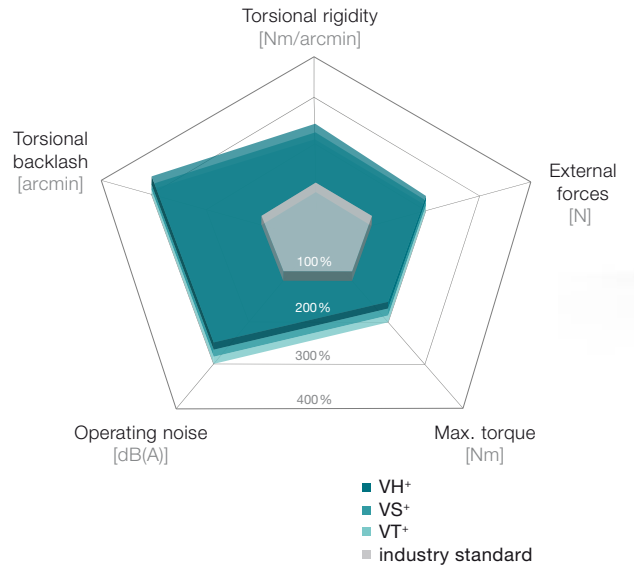
VS+

The powerful V-Drive worm gears of the alpha Advanced Line offer flexible output shapes and countless application possibilities. With high-quality toothing and constant backlash, the gearboxes remain exceptionally efficient throughout their entire service life.

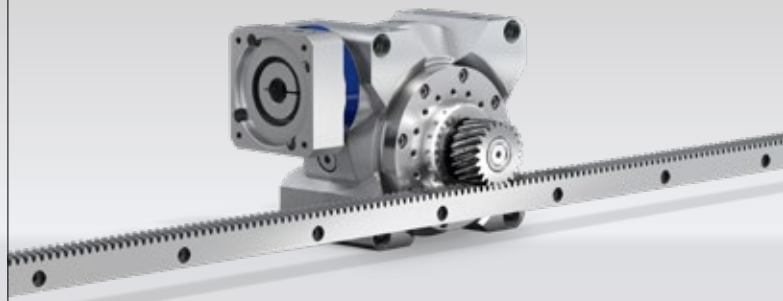
Product highlights

- Max. torsional backlash [arcmin]** ≤ 3 (Standard) / ≤ 2 (Reduced)
- Constant, low torsional backlash** consistently high quality and high positioning accuracy guaranteed throughout its lifespan
- No stick-slip effect** owing to the enhanced hollow-flank teeth
- Optimally sized output bearing** for absorbing high axial and radial forces in cyclic or continuous operation
- Hollow-flank teeth** with high overload capacity owing to the low specific tooth pressure

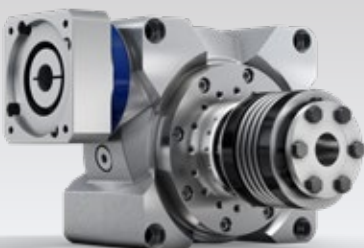
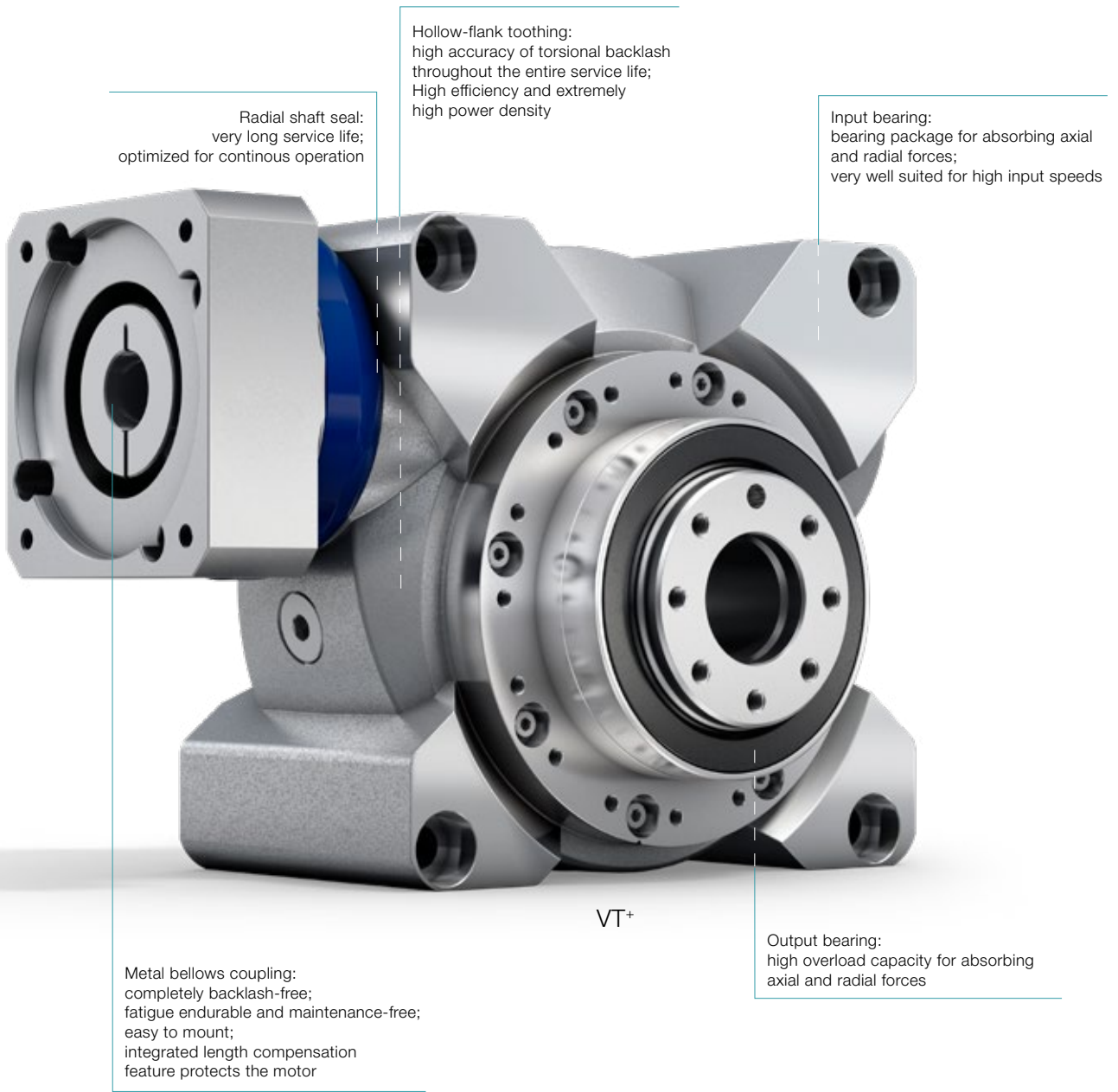
V-Drive Advanced compared to the industry standard



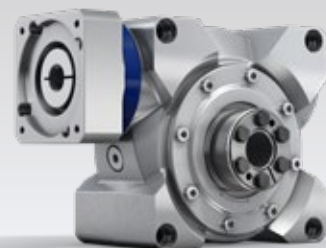
VT+ with integrated planetary input stage for higher ratios



VS+ in linear system



VS+ with metal bellows coupling BC3



VH+ with shrink disk

VH+ 040 MF 1-/2-stage

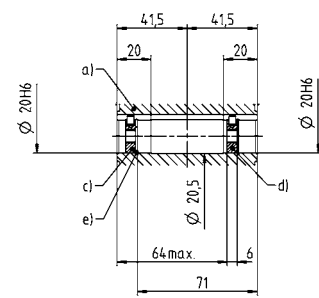
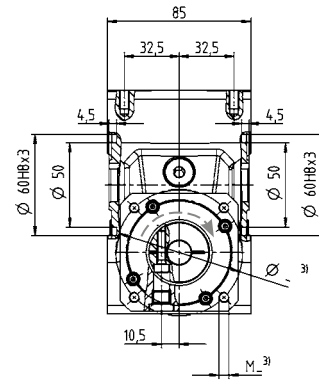
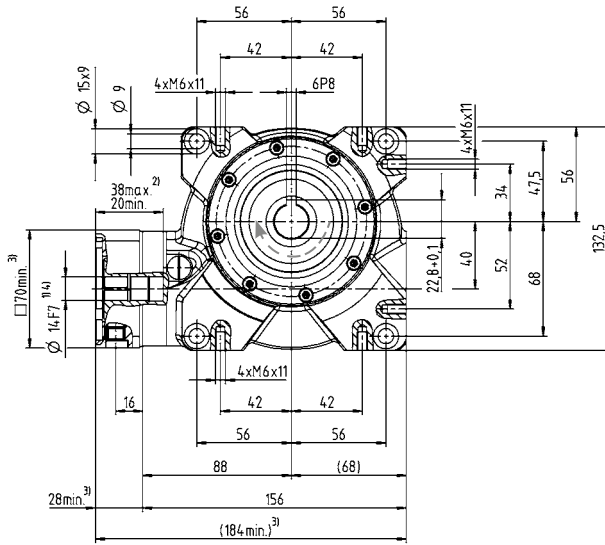
			1-stage						2-stage								
Ratio	<i>i</i>		4	7	10	16	28	40	50	70	100	140	200	280	400		
Max. torque ^{a) b)} (at $n_1 = 500$ rpm)	T_{2a}	Nm	74	82	98	101	106	98	98	82	98	106	98	106	98		
		in.lb	655	726	867	894	938	867	867	726	867	938	867	938	867		
Torque for constant backlash (over the lifetime)	T_{2Servo}	Nm	17	24	25	26	29	25	25	24	25	29	25	29	25		
		in.lb	150	212	221	230	257	221	221	212	221	257	221	257	221		
Emergency stop torque ^{a) b)} (permitted 1000 times during the service life of the gearbox)	T_{2Not}	Nm	118	126	125	129	134	122	125	126	125	134	122	134	122		
		in.lb	1044	1115	1106	1142	1186	1080	1106	1115	1106	1186	1080	1186	1080		
Permitted average input speed (at 20 °C ambient temperature) ^{d)}	n_{1N}	rpm	4000						4400								
Max. input speed	n_{1Max}	rpm	6000														
Mean no load running torque ^{b)} (at $n_1 = 3000$ rpm and 20 °C gearbox temperature)	T_{012}	Nm	0.8	0.7	0.6	0.5	0.4	0.4	0.4	0.2	0.2	0.4	0.4	0.3	0.2		
		in.lb	7.1	6.2	5.3	4.4	3.5	3.5	3.5	1.8	1.8	3.5	3.5	2.7	1.8		
Max. backlash	j_1	arcmin	Standard ≤ 3 / Reduced ≤ 2						Standard ≤ 4 / Reduced ≤ 3								
Torsional rigidity ^{b)}	C_{121}	Nm/arcmin	4.5						5								
		in.lb/arcmin	40						40								
Max. axial force ^{c)}	F_{2AMax}	N	3000						3000								
		lb _f	675						675								
Max. lateral force ^{c)}	F_{2QMax}	N	2400						2400								
		lb _f	540						540								
Max. tilting moment	M_{2KMax}	Nm	205						205								
		in.lb	1814						1814								
Efficiency at full load (at $n_1 = 500$ rpm)	η	%	93	90	88	82	73	67	86	88	86	71	65	71	65		
Service life	L_h	h	> 20000														
Weight (incl. standard adapter plate)	m	kg	5.0						5.6								
		lb _m	11.1						12.0								
Operating noise (at reference ratio and reference speed – ratio-specific values available in cymex [®])	L_{PA}	dB(A)	≤ 54						≤ 58								
Max. permitted housing temperature		°C	+90														
		F	194														
Ambient temperature		°C	-15 to +40														
		F	5 to 104														
Lubrication			Lubricated for life														
Direction of rotation			In- and output same direction														
Protection class			IP 65														
Shrink disc (Standard version)			SD 024x050 S2														
Max. torque (without axial force)	T_{max}	Nm	250														
Mass moment of inertia (relates to the drive) Clamping hub diameter [mm]	C	14	J_1	kgcm ²	0.52	0.38	0.34	0.32	0.32	0.31	0.25	0.28	0.24	0.23	0.19	0.18	0.18
				10 ⁻³ in.lb.s ²	0.46	0.34	0.30	0.28	0.28	0.27	0.22	0.25	0.21	0.20	0.17	0.16	0.16
	E	19	J_1	kgcm ²	0.54	0.40	0.37	0.35	0.34	0.33	0.36	0.40	0.36	0.34	0.30	0.30	0.30
				10 ⁻³ in.lb.s ²	0.48	0.35	0.33	0.31	0.30	0.29	0.32	0.35	0.32	0.30	0.27	0.27	0.27

Please use our sizing software cymex[®] for a detailed sizing – www.wittenstein-cymex.com
Please contact us for optimum sizing at S1 conditions (Continuous operation).

- ^{a)} At max. 10 % F_{2QMax}
- ^{b)} Valid for standard clamping hub diameter
- ^{c)} Refers to center of the output shaft or flange
- ^{d)} Please reduce input speed at higher ambient temperatures

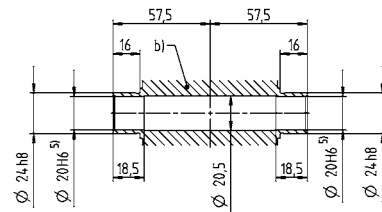
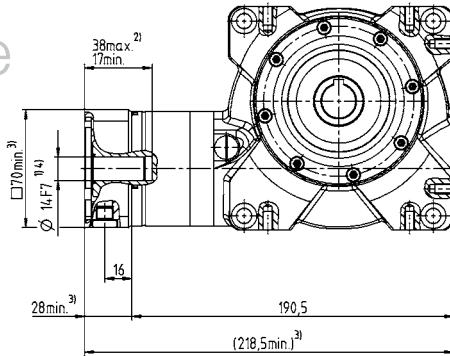
1-stage

up to 14/19⁴⁾
(C⁶⁾/E) clamping
hub diameter



2-stage

up to 14/19⁴⁾
(C⁶⁾/E) clamping
hub diameter



Motor shaft diameter [mm]

Worm gearboxes

VH+

- a) Hollow shaft, keywayed
- b) Hollow shaft, smooth
- c) End disc for screw M6
- d) End disc as forcing washer for screw M8
- e) Locking ring – DIN 472

See technical data sheet for available clamping hub diameters (mass moment of inertia). Dimensions available on request.

Non-tolerated dimensions are nominal dimensions

- ¹⁾ Check motor shaft fit.
- ²⁾ Min. / Max. permissible motor shaft length.
Longer motor shafts are adaptable, please contact us.
- ³⁾ The dimensions depend on the motor.
- ⁴⁾ Smaller motor shaft diameter is compensated by a bushing with a minimum thickness of 1 mm.
- ⁵⁾ Tolerance h6 for mounted shaft.
- ⁶⁾ Standard clamping hub diameter

VH+ 050 MF 1-/2-stage

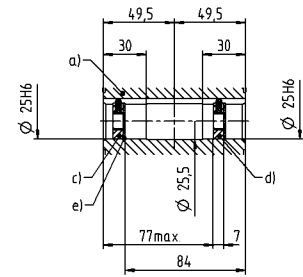
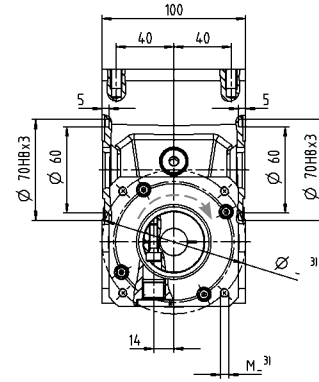
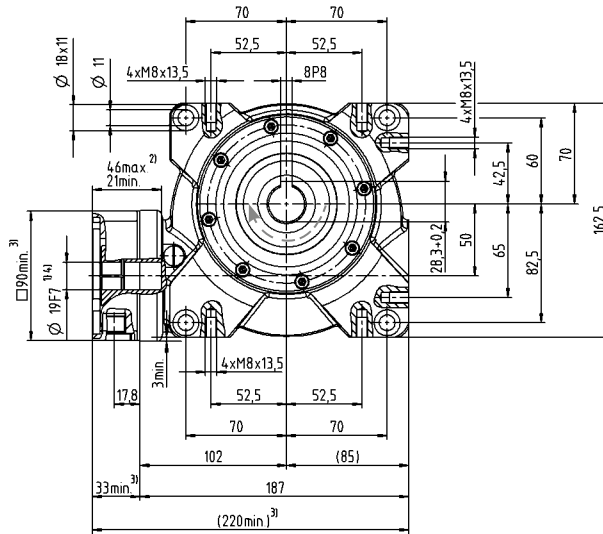
			1-stage						2-stage								
Ratio	i		4	7	10	16	28	40	50	70	100	140	200	280	400		
Max. torque ^{a) b)} (at $n_1 = 500$ rpm)	T_{2a}	Nm	165	180	182	193	204	183	182	180	182	204	183	204	183		
		in.lb	1460	1593	1611	1708	1805	1620	1611	1593	1611	1805	1620	1805	1620		
Torque for constant backlash (over the lifetime)	T_{2Servo}	Nm	54	71	74	81	90	74	74	71	74	90	74	90	74		
		in.lb	478	628	655	717	797	655	655	628	655	797	655	797	655		
Emergency stop torque ^{a) b)} (permitted 1000 times during the service life of the gearbox)	T_{2Not}	Nm	230	242	242	250	262	236	242	242	242	262	236	262	236		
		in.lb	2036	2142	2142	2213	2319	2089	2142	2142	2142	2319	2089	2319	2089		
Permitted average input speed (at 20 °C ambient temperature) ^{d)}	n_{1N}	rpm	4000						3500								
Max. input speed	n_{1Max}	rpm	6000														
Mean no load running torque ^{b)} (at $n_1 = 3000$ rpm and 20 °C gearbox temperature)	T_{012}	Nm	2.3	2.2	1.6	1.5	1.2	1.1	0.7	0.5	0.4	0.6	0.6	0.4	0.4		
		in.lb	20.4	19.5	14.2	13.3	10.6	9.7	6.2	4.4	3.5	5.3	5.3	3.5	3.5		
Max. backlash	j_1	arcmin	Standard ≤ 3 / Reduced ≤ 2						Standard ≤ 4 / Reduced ≤ 3								
Torsional rigidity ^{b)}	C_{121}	Nm/arcmin	8														
		in.lb/arcmin	71														
Max. axial force ^{c)}	F_{2AMax}	N	5000														
		lb _f	1125														
Max. lateral force ^{c)}	F_{2QMax}	N	3800														
		lb _f	855														
Max. tilting moment	M_{2KMax}	Nm	409														
		in.lb	3620														
Efficiency at full load (at $n_1 = 500$ rpm)	η	%	92	89	86	82	72	64	84	87	84	70	62	70	62		
Service life	L_h	h	> 20000														
Weight (incl. standard adapter plate)	m	kg	8.0						8.7								
		lb _m	17.7						19.0								
Operating noise (at reference ratio and reference speed – ratio-specific values available in cymex [®])	L_{PA}	dB(A)	≤ 62														
Max. permitted housing temperature		°C	+90														
		F	194														
Ambient temperature		°C	-15 to +40														
		F	5 to 104														
Lubrication			Lubricated for life														
Direction of rotation			In- and output same direction														
Protection class			IP 65														
Shrink disc (Standard version)			SD 030x060 S2V														
Max. torque (without axial force)	T_{max}	Nm	550														
Mass moment of inertia (relates to the drive) Clamping hub diameter [mm]	C	14	J_1	kgcm ²	-	-	-	-	-	-	0.80	0.80	0.80	0.70	0.70	0.70	0.70
				10 ⁻³ in.lb.s ²	-	-	-	-	-	-	0.71	0.71	0.71	0.62	0.62	0.62	0.62
	E	19	J_1	kgcm ²	1.50	1.21	1.12	1.03	1.00	1.05	1.20	1.30	1.20	1.10	1.10	1.10	1.10
				10 ⁻³ in.lb.s ²	1.33	1.07	0.99	0.91	0.89	0.93	1.06	1.15	1.06	0.97	0.97	0.97	0.97
	G	24	J_1	kgcm ²	1.6	1.32	1.23	1.14	1.11	1.15	-	-	-	-	-	-	-
				10 ⁻³ in.lb.s ²	1.4	1.2	1.1	1.0	0.98	1.0	-	-	-	-	-	-	-

Please use our sizing software cymex[®] for a detailed sizing – www.wittenstein-cymex.com
Please contact us for optimum sizing at S1 conditions (Continuous operation).

- ^{a)} At max. 10 % F_{2QMax}
- ^{b)} Valid for standard clamping hub diameter
- ^{c)} Refers to center of the output shaft or flange
- ^{d)} Please reduce input speed at higher ambient temperatures

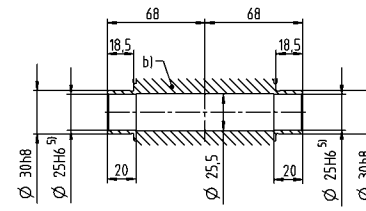
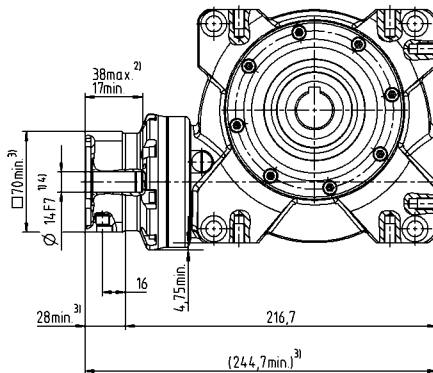
1-stage

up to 19/24⁴⁾
(E⁶⁾/G) clamping
hub diameter



2-stage

up to 14/19⁴⁾
(C⁶⁾/E) clamping
hub diameter



Motor shaft diameter [mm]

Worm gearboxes

VH+

- a) Hollow shaft, keywayed
- b) Hollow shaft, smooth
- c) End disc for screw M10
- d) End disc as forcing washer for screw M12
- e) Locking ring – DIN 472

See technical data sheet for available clamping hub diameters (mass moment of inertia). Dimensions available on request.

- Non-tolerated dimensions are nominal dimensions
- ¹⁾ Check motor shaft fit.
- ²⁾ Min. / Max. permissible motor shaft length.
Longer motor shafts are adaptable, please contact us.
- ³⁾ The dimensions depend on the motor.
- ⁴⁾ Smaller motor shaft diameter is compensated by a bushing with a minimum thickness of 1 mm.
- ⁵⁾ Tolerance h6 for mounted shaft.
- ⁶⁾ Standard clamping hub diameter

VH+ 063 MF 1-/2-stage

			1-stage						2-stage								
Ratio	<i>i</i>		4	7	10	16	28	40	50	70	100	140	200	280	400		
Max. torque ^{a) b)} (at $n_1 = 500$ rpm)	T_{2a}	Nm	319	353	364	372	392	363	364	353	364	392	363	392	363		
		in.lb	2823	3124	3221	3292	3469	3213	3221	3124	3221	3469	3213	3469	3213	3469	
Torque for constant backlash (over the lifetime)	T_{2Servo}	Nm	198	210	225	221	229	226	225	210	225	229	226	229	226		
		in.lb	1752	1859	1991	1956	2027	2000	1991	1859	1991	2027	2000	2027	2000		
Emergency stop torque ^{a) b)} (permitted 1000 times during the service life of the gearbox)	T_{2Not}	Nm	460	484	491	494	518	447	491	484	494	518	447	518	447		
		in.lb	4071	4283	4345	4372	4584	3956	4345	4283	4372	4584	3956	4584	3956		
Permitted average input speed (at 20 °C ambient temperature) ^{d)}	n_{1N}	rpm	4000						3100								
Max. input speed	n_{1Max}	rpm	4500														
Mean no load running torque ^{b)} (at $n_1 = 3000$ rpm and 20 °C gearbox temperature)	T_{012}	Nm	4.2	3.1	3	2.4	2.3	2.2	1.2	0.7	0.7	1.1	1.1	0.8	0.6		
		in.lb	37.2	27.4	26.6	21.2	20.4	19.5	10.6	6.2	6.2	9.7	9.7	7.1	5.3		
Max. backlash	j_1	arcmin	Standard ≤ 3 / Reduced ≤ 2						Standard ≤ 4 / Reduced ≤ 3								
Torsional rigidity ^{b)}	C_{121}	Nm/arcmin	28														
		in.lb/arcmin	248														
Max. axial force ^{c)}	F_{2AMax}	N	8250														
		lb _f	1856														
Max. lateral force ^{c)}	F_{2QMax}	N	6000														
		lb _f	1350														
Max. tilting moment	M_{2KMax}	Nm	843														
		in.lb	7461														
Efficiency at full load (at $n_1 = 500$ rpm)	η	%	93	91	88	83	74	68	86	89	86	72	66	72	66		
Service life	L_h	h	> 20000														
Weight (incl. standard adapter plate)	m	kg	13.0						13.7								
		lb _m	28.7						30.0								
Operating noise (at reference ratio and reference speed – ratio-specific values available in cymex [®])	L_{PA}	dB(A)	≤ 64														
Max. permitted housing temperature		°C	+90														
		F	194														
Ambient temperature		°C	-15 to +40														
		F	5 to 104														
Lubrication			Lubricated for life														
Direction of rotation			In- and output same direction														
Protection class			IP 65														
Shrink disc (Standard version)			SD 036x072 S2V														
Max. torque (without axial force)	T_{max}	Nm	640														
Mass moment of inertia (relates to the drive) Clamping hub diameter [mm]	E	19	J_1	kgcm ²	-	-	-	-	-	-	2.60	2.80	2.50	2.40	2.40	2.40	2.30
				10 ⁻³ in.lb.s ²	-	-	-	-	-	-	2.30	2.48	2.21	2.12	2.12	2.12	2.04
	G	24	J_1	kgcm ²	-	-	-	-	-	-	4.10	4.30	4.10	4.00	4.00	3.90	3.90
				10 ⁻³ in.lb.s ²	-	-	-	-	-	-	3.63	3.81	3.63	3.54	3.54	3.45	3.45
	H	28	J_1	kgcm ²	4.80	3.89	3.65	3.56	3.52	3.47	-	-	-	-	-	-	-
				10 ⁻³ in.lb.s ²	4.25	3.44	3.23	3.15	3.12	3.07	-	-	-	-	-	-	-

Please use our sizing software cymex[®] for a detailed sizing – www.wittenstein-cymex.com
Please contact us for optimum sizing at S1 conditions (Continuous operation).

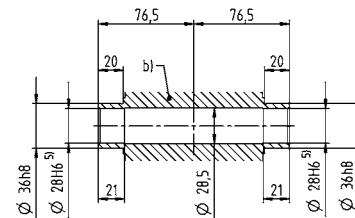
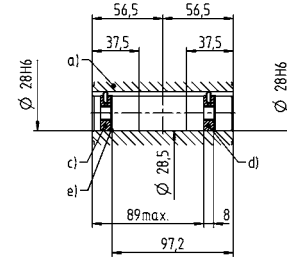
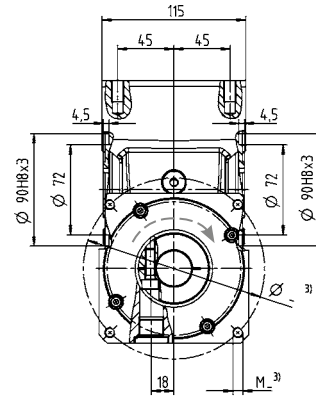
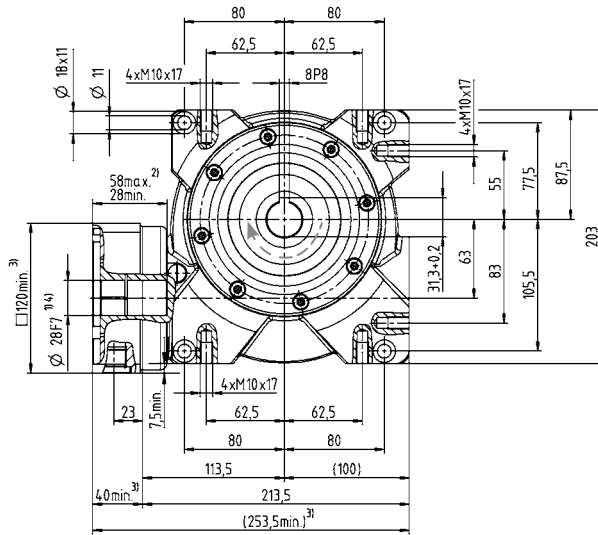
- ^{a)} At max. 10 % F_{2QMax}
- ^{b)} Valid for standard clamping hub diameter
- ^{c)} Refers to center of the output shaft or flange
- ^{d)} Please reduce input speed at higher ambient temperatures

View A

← A

1-stage

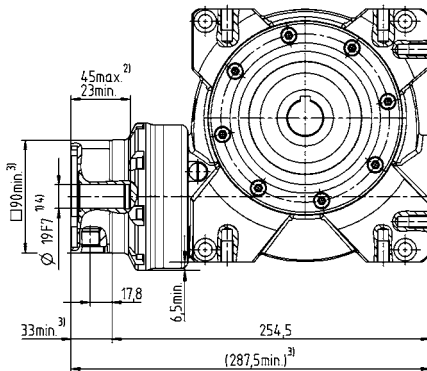
up to 28⁴⁾ (H)⁶⁾
clamping hub diameter



Motor shaft diameter [mm]

2-stage

up to 19/24⁴⁾
(E⁶⁾/G) clamping
hub diameter



- a) Hollow shaft, keywayed
- b) Hollow shaft, smooth
- c) End disc for screw M10
- d) End disc as forcing washer for screw M12
- e) Locking ring – DIN 472

See technical data sheet for available clamping hub diameters (mass moment of inertia). Dimensions available on request.

Non-tolerated dimensions are nominal dimensions

- ¹⁾ Check motor shaft fit.
- ²⁾ Min. / Max. permissible motor shaft length.
Longer motor shafts are adaptable, please contact us.
- ³⁾ The dimensions depend on the motor.
- ⁴⁾ Smaller motor shaft diameter is compensated by a bushing with a minimum thickness of 1 mm.
- ⁵⁾ Tolerance h6 for mounted shaft.
- ⁶⁾ Standard clamping hub diameter

Worm gearboxes

VH+

VH+ 080 MF 1-/2-stage

			1-stage						2-stage							
Ratio	<i>i</i>		4	7	10	16	28	40	50	70	100	140	200	280	400	
Max. torque ^{a) b)} (at $n_1 = 500$ rpm)	T_{2a}	Nm	578	646	672	702	785	676	672	646	672	785	676	785	676	
		in.lb	5115	5717	5947	6213	6947	5983	5947	5717	5947	6947	5983	6947	5983	
Torque for constant backlash (over the lifetime)	T_{2Servo}	Nm	469	601	613	677	764	631	613	601	613	764	631	764	631	
		in.lb	4151	5319	5425	5991	6761	5584	5425	5319	5425	6761	5584	6761	5584	
Emergency stop torque ^{a) b)} (permitted 1000 times during the service life of the gearbox)	T_{2Not}	Nm	938	993	963	1005	1064	941	963	993	963	1064	941	1064	941	
		in.lb	8301	8788	8523	8894	9416	8328	8523	8788	8523	9416	8328	9416	8328	
Permitted average input speed (at 20 °C ambient temperature) ^{d)}	n_{1N}	rpm	3500						2900							
Max. input speed	n_{1Max}	rpm	4000						4500							
Mean no load running torque ^{b)} (at $n_1 = 3000$ rpm and 20 °C gearbox temperature)	T_{012}	Nm	7.2	7.1	6.5	5	4.8	4.5	2.8	1.6	1.5	2.4	2.4	1.8	1.3	
		in.lb	63.7	62.8	57.5	44.3	42.5	39.8	24.8	14.2	13.3	21.2	21.2	15.9	11.5	
Max. backlash	j_1	arcmin	Standard ≤ 3 / Reduced ≤ 2						Standard ≤ 4 / Reduced ≤ 3							
Torsional rigidity ^{b)}	C_{121}	Nm/arcmin	78													
		in.lb/arcmin	690													
Max. axial force ^{c)}	F_{2AMax}	N	13900													
		lb _f	3128													
Max. lateral force ^{c)}	F_{2QMax}	N	9000													
		lb _f	2025													
Max. tilting moment	M_{2KMax}	Nm	1544													
		in.lb	13664													
Efficiency at full load (at $n_1 = 500$ rpm)	η	%	94	92	89	86	77	70	87	90	87	75	68	75	68	
Service life	L_h	h	> 20000													
Weight (incl. standard adapter plate)	m	kg	27.0						29.5							
		lb _m	59.7						68.0							
Operating noise (at reference ratio and reference speed – ratio-specific values available in cymex [®])	L_{PA}	dB(A)	≤ 66						≤ 68							
Max. permitted housing temperature		°C	+90													
		F	194													
Ambient temperature		°C	-15 to +40													
		F	5 to 104													
Lubrication			Lubricated for life													
Direction of rotation			In- and output same direction													
Protection class			IP 65													
Shrink disc (Standard version)			SD 050x090 S2V													
Max. torque (without axial force)	T_{max}	Nm	1400													
Mass moment of inertia (relates to the drive)	G 24	J_1	kgcm ²	-	-	-	-	-	-	10.40	10.10	10.10	8.80	9.50	9.40	9.30
			10 ⁻³ in.lb.s ²	-	-	-	-	-	-	9.20	8.94	8.94	7.79	8.41	8.32	8.23
Clamping hub diameter [mm]	K 38	J_1	kgcm ²	20.30	16.75	16.79	15.37	15.26	15.90	17.30	17.00	17.10	15.80	16.40	16.30	16.20
			10 ⁻³ in.lb.s ²	17.97	14.82	14.86	13.60	13.51	14.07	15.31	15.05	15.13	13.98	14.51	14.43	14.34

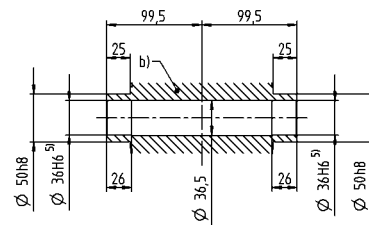
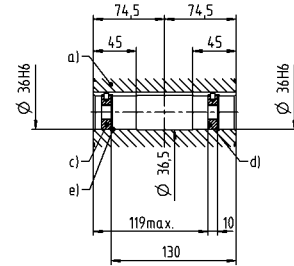
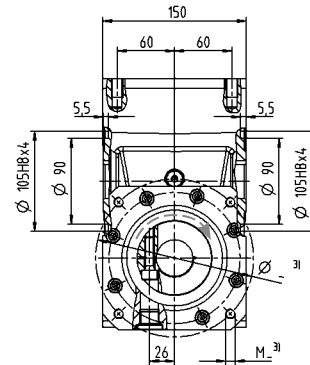
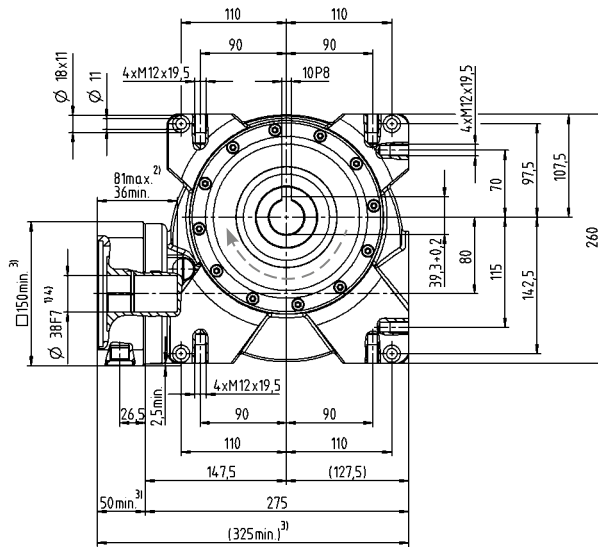
Please use our sizing software cymex[®] for a detailed sizing – www.wittenstein-cymex.com
Please contact us for optimum sizing at S1 conditions (Continuous operation).

- ^{a)} At max. 10 % F_{2QMax}
- ^{b)} Valid for standard Clamping hub diameter
- ^{c)} Refers to center of the output shaft or flange
- ^{d)} Please reduce input speed at higher ambient temperatures

← A

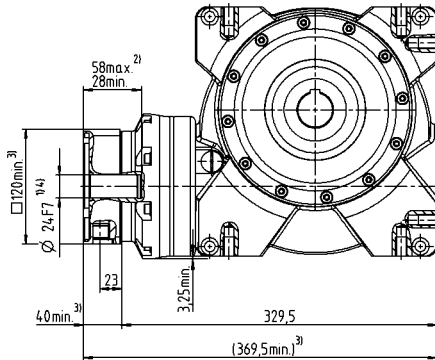
1-stage

up to 38⁴⁾ (K)⁶⁾
clamping hub diameter



2-stage

up to 24/38⁴⁾
(G⁶⁾/K) clamping
hub diameter



- a) Hollow shaft, keywayed
- b) Hollow shaft, smooth
- c) End disc for screw M12
- d) End disc as forcing washer for screw M16
- e) Locking ring – DIN 472

See technical data sheet for available clamping hub diameters (mass moment of inertia). Dimensions available on request.

Non-tolerated dimensions are nominal dimensions

- ¹⁾ Check motor shaft fit.
- ²⁾ Min. / Max. permissible motor shaft length.
Longer motor shafts are adaptable, please contact us.
- ³⁾ The dimensions depend on the motor.
- ⁴⁾ Smaller motor shaft diameter is compensated by a bushing with a minimum thickness of 1 mm.
- ⁵⁾ Tolerance h6 for mounted shaft.
- ⁶⁾ Standard clamping hub diameter

Motor shaft diameter [mm]

Worm gearboxes

VH+

VH+ 100 MF 1-/2-stage

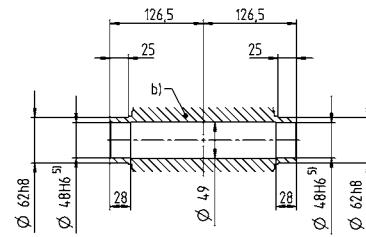
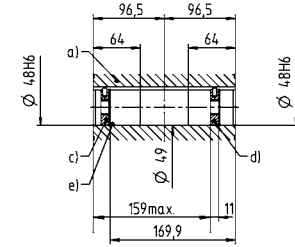
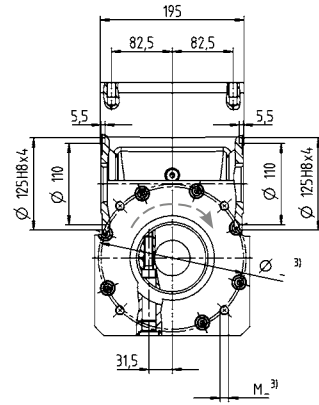
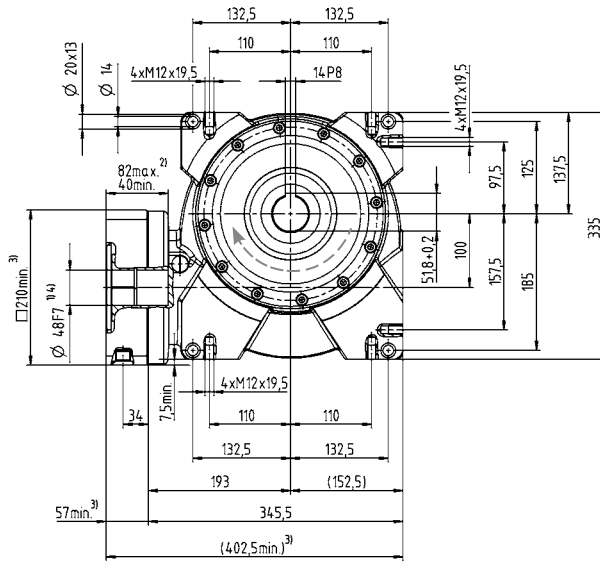
			1-stage						2-stage								
Ratio	<i>i</i>		4	7	10	16	28	40	50	70	100	140	200	280	400		
Max. torque ^{a) b)} (at $n_1 = 500$ rpm)	T_{2a}	Nm	1184	1336	1377	1392	1505	1376	1377	1336	1377	1505	1376	1505	1376		
		in.lb	10478	11824	12186	12319	13319	12178	12186	11825	12186	13319	12178	13319	12178		
Torque for constant backlash (over the lifetime)	T_{2Servo}	Nm	1155	1304	1343	1359	1469	1343	1343	1304	1343	1469	1343	1469	1343		
		in.lb	10222	11540	11886	12027	13001	11886	11886	11541	11886	13001	11886	13001	11886		
Emergency stop torque ^{a) b)} (permitted 1000 times during the service life of the gearbox)	T_{2Not}	Nm	1819	1932	1940	1955	2073	1856	1940	1940	1940	2073	1856	2073	1856		
		in.lb	16098	17098	17169	17302	18346	16426	17169	17169	17169	18346	16426	18346	16426		
Permitted average input speed (at 20 °C ambient temperature) ^{d)}	n_{1N}	rpm	3000						2700								
Max. input speed	n_{1Max}	rpm	3500						4000								
Mean no load running torque ^{b)} (at $n_1 = 3000$ rpm and 20 °C gearbox temperature)	T_{012}	Nm	12.2	10.5	9.8	9.1	8.2	7.2	4.1	2.3	2.2	3.8	3.6	2.6	2		
		in.lb	108.0	92.9	86.7	80.5	72.6	63.7	36.3	20.4	19.5	33.6	31.9	23.0	17.7		
Max. backlash	j_1	arcmin	Standard ≤ 3 / Reduced ≤ 2						Standard ≤ 4 / Reduced ≤ 3								
Torsional rigidity ^{b)}	C_{121}	Nm/arcmin	153						153								
		in.lb/arcmin	1354						1354								
Max. axial force ^{c)}	F_{2AMax}	N	19500						19500								
		lb _f	4388						4388								
Max. lateral force ^{c)}	F_{2QMax}	N	14000						14000								
		lb _f	3150						3150								
Max. tilting moment	M_{2KMax}	Nm	3059						3059								
		in.lb	27072						27072								
Efficiency at full load (at $n_1 = 500$ rpm)	η	%	95	93	91	87	80	76	89	89	89	78	74	78	74		
Service life	L_h	h	> 20000														
Weight (incl. standard adapter plate)	m	kg	51.0						53.6								
		lb _m	112.7						118.0								
Operating noise (at reference ratio and reference speed – ratio-specific values available in cymex [®])	L_{PA}	dB(A)	≤ 70														
Max. permitted housing temperature		°C	+90														
		F	194														
Ambient temperature		°C	-15 to +40														
		F	5 to 104														
Lubrication			Lubricated for life														
Direction of rotation			In- and output same direction														
Protection class			IP 65														
Shrink disc (Standard version)			SD 062x110 S2V														
Max. torque (without axial force)	T_{max}	Nm	2300														
Mass moment of inertia (relates to the drive)	K	38	J_1	kgcm ²	-	-	-	-	-	-	31.70	33.00	31.10	30.10	30.40	30.00	29.80
				10 ⁻³ in.lb.s ²	-	-	-	-	-	-	28.05	29.21	27.52	26.64	26.90	26.55	26.37
Clamping hub diameter [mm]	M	48	J_1	kgcm ²	50.25	40.70	38.77	39.62	37.15	37.47	46.40	47.70	45.80	44.80	45.10	44.70	44.50
				10 ⁻³ in.lb.s ²	44.47	36.02	34.31	35.06	32.88	33.16	41.06	42.21	40.53	39.65	39.91	39.56	39.38

Please use our sizing software cymex[®] for a detailed sizing – www.wittenstein-cymex.com
Please contact us for optimum sizing at S1 conditions (Continuous operation).

- ^{a)} At max. 10 % F_{2QMax}
- ^{b)} Valid for standard Clamping hub diameter
- ^{c)} Refers to center of the output shaft or flange
- ^{d)} Please reduce input speed at higher ambient temperatures

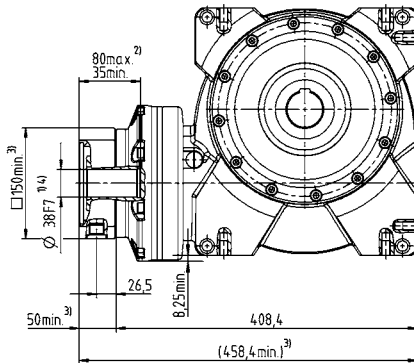
1-stage

up to 48⁴⁾ (M⁶⁾
clamping hub diameter



2-stage

up to 38 / 48⁴⁾
(K⁶⁾ / M) clamping hub diameter



Motor shaft diameter [mm]

Worm gearboxes

VH+

- a) Hollow shaft, keywayed
- b) Hollow shaft, smooth
- c) End disc for screw M16
- d) End disc as forcing washer for screw M20
- e) Locking ring – DIN 472

See technical data sheet for available clamping hub diameters (mass moment of inertia). Dimensions available on request.

Non-tolerated dimensions are nominal dimensions

- ¹⁾ Check motor shaft fit.
- ²⁾ Min. / Max. permissible motor shaft length.
Longer motor shafts are adaptable, please contact us.
- ³⁾ The dimensions depend on the motor.
- ⁴⁾ Smaller motor shaft diameter is compensated by a bushing with a minimum thickness of 1 mm.
- ⁵⁾ Tolerance h6 for mounted shaft.
- ⁶⁾ Standard clamping hub diameter

VS+ 050 MF 1-/2-stage

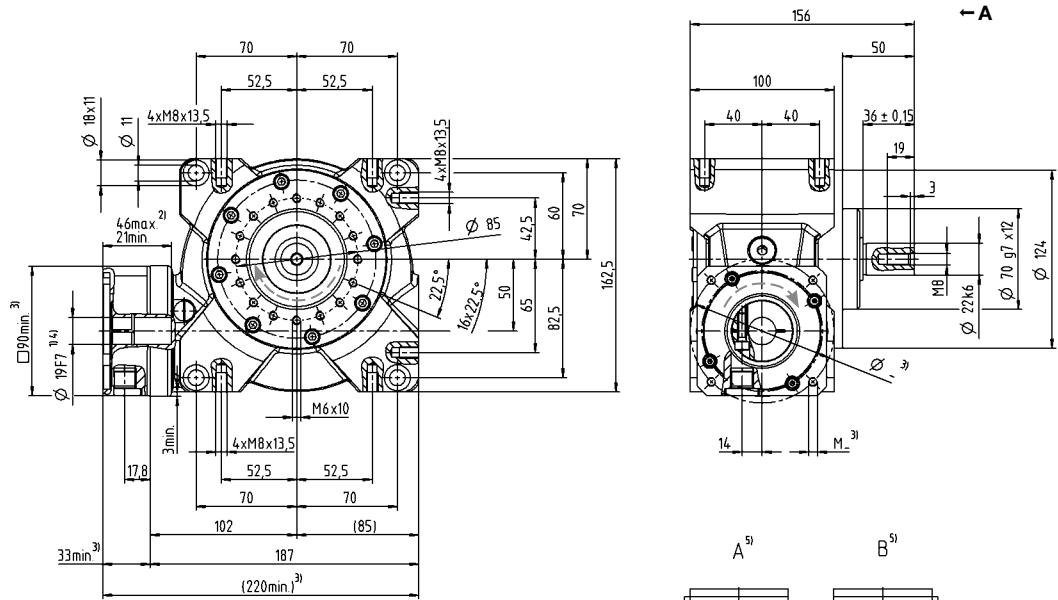
			1-stage						2-stage								
Ratio	<i>i</i>		4	7	10	16	28	40	50	70	100	140	200	280	400		
Max. torque ^{a) b) e)} (at $n_1 = 500$ rpm)	T_{2a}	Nm	165	180	182	193	204	183	182	180	182	204	183	204	183		
		in.lb	1460	1593	1611	1708	1805	1620	1611	1593	1611	1805	1620	1805	1620		
Torque for constant backlash (over the lifetime)	T_{2Servo}	Nm	54	71	74	81	90	74	74	71	74	90	74	90	74		
		in.lb	478	628	655	717	797	655	655	628	655	797	655	797	655		
Emergency stop torque ^{a) b) e)} (permitted 1000 times during the service life of the gearbox)	T_{2Not}	Nm	230	242	242	250	262	236	242	242	242	262	236	262	236		
		in.lb	2036	2142	2142	2213	2319	2089	2142	2142	2142	2319	2089	2319	2089		
Permitted average input speed (at 20 °C ambient temperature) ^{d)}	n_{1N}	rpm	4000						3500								
Max. input speed	n_{1Max}	rpm	6000														
Mean no load running torque ^{b)} (at $n_1 = 3000$ rpm and 20 °C gearbox temperature)	T_{012}	Nm	2.3	2.2	1.6	1.5	1.2	1.1	0.7	0.5	0.4	0.6	0.6	0.4	0.4		
		in.lb	20.4	19.5	14.2	13.3	10.6	9.7	6.2	4.4	3.5	5.3	5.3	3.5	3.5		
Max. backlash	j_i	arcmin	Standard ≤ 3 / Reduced ≤ 2						Standard ≤ 4 / Reduced ≤ 3								
Torsional rigidity ^{b)}	C_{121}	Nm/arcmin	8														
		in.lb/arcmin	71														
Max. axial force ^{c)}	F_{2AMax}	N	5000														
		lb _f	1125														
Max. lateral force ^{c)}	F_{2QMax}	N	3800														
		lb _f	855														
Max. tilting moment	M_{2KMax}	Nm	409														
		in.lb	3620														
Efficiency at full load (at $n_1 = 500$ rpm)	η	%	92	89	86	82	72	64	84	87	84	70	62	70	62		
Service life	L_h	h	> 20000														
Weight (incl. standard adapter plate)	m	kg	9.0						9.7								
		lb _m	19.9						21.0								
Operating noise (at reference ratio and reference speed – ratio-specific values available in cymex [®])	L_{PA}	dB(A)	≤ 62														
Max. permitted housing temperature		°C	+90														
		F	194														
Ambient temperature		°C	-15 to +40														
		F	5 to 104														
Lubrication			Lubricated for life														
Direction of rotation			In- and output same direction														
Protection class			IP 65														
Metal bellows coupling (recommended product type – validate sizing with cymex [®])			BC3 - 00200A - 022.000 - X														
Bore diameter of coupling on the application side		mm	X = 015.000 - 044.000														
Mass moment of inertia (relates to the drive) Clamping hub diameter [mm]	C	14	J_1	kgcm ²	-	-	-	-	-	-	0.80	0.80	0.80	0.70	0.70	0.70	0.70
				10 ⁻³ in.lb.s ²	-	-	-	-	-	-	0.71	0.71	0.71	0.62	0.62	0.62	0.62
	E	19	J_1	kgcm ²	1.50	1.21	1.12	1.03	1.00	1.05	1.20	1.30	1.20	1.10	1.10	1.10	1.10
				10 ⁻³ in.lb.s ²	1.33	1.07	0.99	0.91	0.89	0.93	1.06	1.15	1.06	0.97	0.97	0.97	0.97
	G	24	J_1	kgcm ²	1.6	1.32	1.23	1.14	1.11	1.15	-	-	-	-	-	-	-
				10 ⁻³ in.lb.s ²	1.4	1.2	1.1	1.0	0.98	1.0	-	-	-	-	-	-	-

Please use our sizing software cymex[®] for a detailed sizing – www.wittenstein-cymex.com
Please contact us for optimum sizing at S1 conditions (Continuous operation).

- ^{a)} At max. 10 % F_{2QMax}
- ^{b)} Valid for standard clamping hub diameter
- ^{c)} Refers to center of the output shaft or flange
- ^{d)} Please reduce input speed at higher ambient temperatures
- ^{e)} Smooth shaft

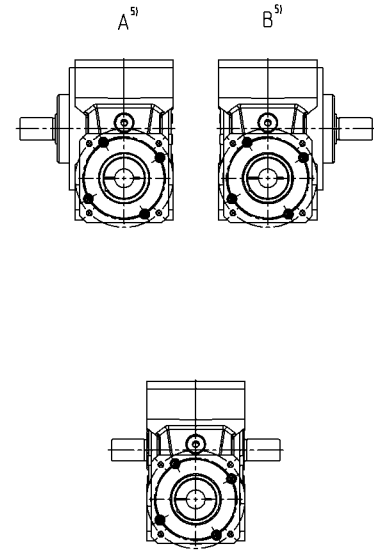
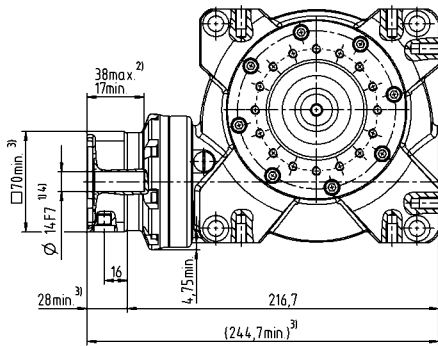
1-stage

up to 19/24⁴⁾
(E⁶⁾/G) clamping
hub diameter



2-stage

up to 14/19⁴⁾
(C⁶⁾/E) clamping
hub diameter



Optional dual-shaft output. Drawings available upon request.
Involute gearing is not possible.

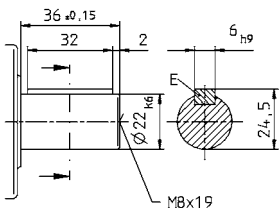
Motor shaft diameter [mm]

Worm gearboxes

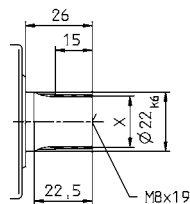
VS+

Other output variants

Shaft with key



Spined shaft (DIN 5480)



See technical data sheet for available clamping hub diameters (mass moment of inertia). Dimensions available on request.

Non-tolerated dimensions are nominal dimensions

- ¹⁾ Check motor shaft fit.
- ²⁾ Min./Max. permissible motor shaft length. Longer motor shafts are adaptable, please contact us.
- ³⁾ The dimensions depend on the motor.
- ⁴⁾ Smaller motor shaft diameter is compensated by a bushing with a minimum thickness of 1 mm.
- ⁵⁾ Output side
- ⁶⁾ Standard clamping hub diameter

VS+ 063 MF 1-/2-stage

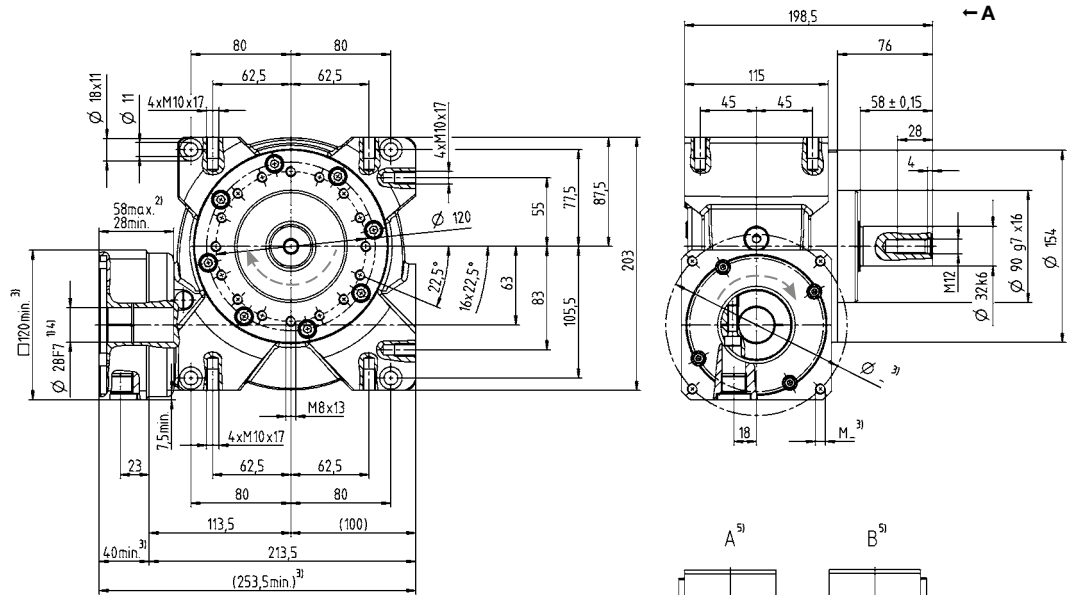
			1-stage						2-stage								
Ratio	<i>i</i>		4	7	10	16	28	40	50	70	100	140	200	280	400		
Max. torque ^{a) b) e)} (at $n_1 = 500$ rpm)	T_{2a}	Nm	319	353	364	372	392	363	364	353	364	392	363	392	363		
		in.lb	2823	3124	3221	3292	3469	3213	3221	3124	3221	3469	3213	3469	3213		
Torque for constant backlash (over the lifetime)	T_{2Servo}	Nm	198	210	225	221	229	226	225	210	225	229	226	229	226		
		in.lb	1752	1859	1991	1956	2027	2000	1991	1859	1991	2027	2000	2027	2000		
Emergency stop torque ^{a) b) e)} (permitted 1000 times during the service life of the gearbox)	T_{2Not}	Nm	460	484	491	494	518	447	491	484	494	518	447	518	447		
		in.lb	4071	4283	4345	4372	4584	3956	4345	4283	4372	4584	3956	4584	3956		
Permitted average input speed (at 20 °C ambient temperature) ^{d)}	n_{1N}	rpm	4000						3100								
Max. input speed	n_{1Max}	rpm	4500														
Mean no load running torque ^{b)} (at $n_1 = 3000$ rpm and 20 °C gearbox temperature)	T_{012}	Nm	4.2	3.1	3	2.4	2.3	2.2	1.2	0.7	0.7	1.1	1.1	0.8	0.6		
		in.lb	37.2	27.4	26.6	21.2	20.4	19.5	10.6	6.2	6.2	9.7	9.7	7.1	5.3		
Max. backlash	j_i	arcmin	Standard ≤ 3 / Reduced ≤ 2						Standard ≤ 4 / Reduced ≤ 3								
Torsional rigidity ^{b)}	C_{121}	Nm/arcmin	28														
		in.lb/arcmin	248														
Max. axial force ^{c)}	F_{2AMax}	N	8250														
		lb _f	1856														
Max. lateral force ^{c)}	F_{2QMax}	N	6000														
		lb _f	1350														
Max. tilting moment	M_{2KMax}	Nm	843														
		in.lb	7461														
Efficiency at full load (at $n_1 = 500$ rpm)	η	%	93	91	88	83	74	68	86	89	86	72	66	72	66		
Service life	L_h	h	> 20000														
Weight (incl. standard adapter plate)	m	kg	16.0						16.7								
		lb _m	35.4						37.0								
Operating noise (at reference ratio and reference speed – ratio-specific values available in cymex [®])	L_{PA}	dB(A)	≤ 64														
Max. permitted housing temperature		°C	+90														
		F	194														
Ambient temperature		°C	-15 to +40														
		F	5 to 104														
Lubrication			Lubricated for life														
Direction of rotation			In- and output same direction														
Protection class			IP 65														
Metal bellows coupling (recommended product type – validate sizing with cymex [®])			BC3 - 00500A - 032.000 - X														
Bore diameter of coupling on the application side		mm	X = 024.000 - 056.000														
Mass moment of inertia (relates to the drive) Clamping hub diameter [mm]	E	19	J_1	kgcm ²	-	-	-	-	-	-	2.60	2.80	2.50	2.40	2.40	2.40	2.30
				10 ⁻³ in.lb.s ²	-	-	-	-	-	-	2.30	2.48	2.21	2.12	2.12	2.12	2.04
	G	24	J_1	kgcm ²	-	-	-	-	-	-	4.10	4.30	4.10	4.00	4.00	3.90	3.90
				10 ⁻³ in.lb.s ²	-	-	-	-	-	-	3.63	3.81	3.63	3.54	3.54	3.45	3.45
H	28	J_1	kgcm ²	4.80	3.89	3.65	3.56	3.52	3.47	-	-	-	-	-	-	-	
			10 ⁻³ in.lb.s ²	4.25	3.44	3.23	3.15	3.12	3.07	-	-	-	-	-	-	-	

Please use our sizing software cymex[®] for a detailed sizing – www.wittenstein-cymex.com
Please contact us for optimum sizing at S1 conditions (Continuous operation).

- ^{a)} At max. 10 % F_{2QMax}
- ^{b)} Valid for standard clamping hub diameter
- ^{c)} Refers to center of the output shaft or flange
- ^{d)} Please reduce input speed at higher ambient temperatures
- ^{e)} Smooth shaft

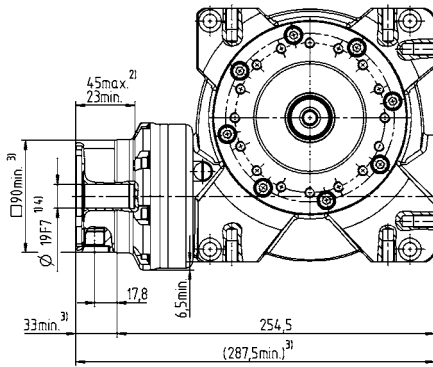
1-stage

up to 28⁴⁾ (H)⁶⁾
clamping hub diameter



2-stage

up to 19/24⁴⁾
(E⁶⁾/G) clamping hub diameter



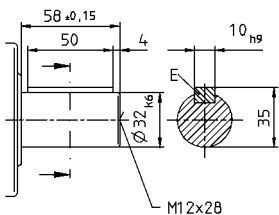
Motor shaft diameter [mm]

Optional dual-shaft output. Drawings available upon request.
Involute gearing is not possible.

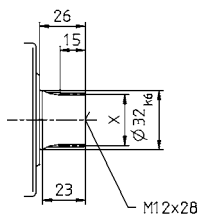
Worm gearboxes

Other output variants

Shaft with key



Spined shaft (DIN 5480)



See technical data sheet for available clamping hub diameters (mass moment of inertia). Dimensions available on request.

Non-tolerated dimensions are nominal dimensions

¹⁾ Check motor shaft fit.

²⁾ Min./Max. permissible motor shaft length.

Longer motor shafts are adaptable, please contact us.

³⁾ The dimensions depend on the motor.

⁴⁾ Smaller motor shaft diameter is compensated by a bushing with a minimum thickness of 1 mm.

⁵⁾ Output side

⁶⁾ Standard clamping hub diameter

VS+

VS+ 080 MF 1-/2-stage

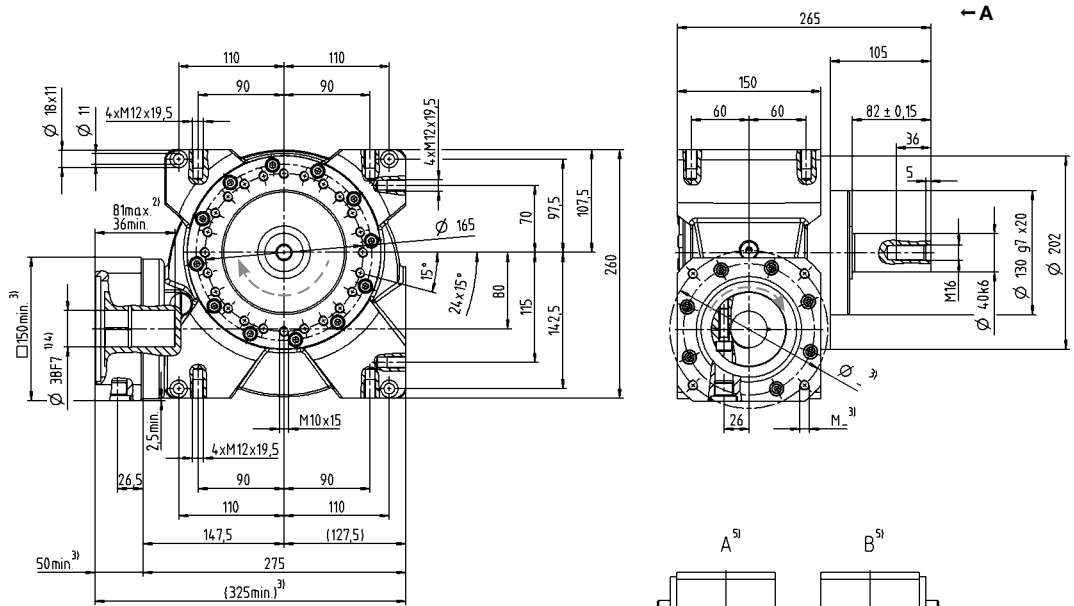
			1-stage						2-stage							
Ratio	<i>i</i>		4	7	10	16	28	40	50	70	100	140	200	280	400	
Max. torque ^{a) b) e)} (at $n_1 = 500$ rpm)	T_{2a}	Nm	578	646	672	702	785	676	672	646	672	785	676	785	676	
		in.lb	5115	5717	5947	6213	6947	5983	5947	5717	5947	6947	5983	6947	5983	
Torque for constant backlash (over the lifetime)	T_{2Servo}	Nm	469	601	613	677	764	631	613	601	613	764	631	764	631	
		in.lb	4151	5319	5425	5991	6761	5584	5425	5319	5425	6761	5584	6761	5584	
Emergency stop torque ^{a) b) e)} (permitted 1000 times during the service life of the gearbox)	T_{2Not}	Nm	938	993	963	1005	1064	941	963	993	963	1064	941	1064	941	
		in.lb	8301	8788	8523	8894	9416	8328	8523	8788	8523	9416	8328	9416	8328	
Permitted average input speed (at 20 °C ambient temperature) ^{d)}	n_{1N}	rpm	3500						2900							
Max. input speed	n_{1Max}	rpm	4000						4500							
Mean no load running torque ^{b)} (at $n_1 = 3000$ rpm and 20 °C gearbox temperature)	T_{012}	Nm	7.2	7.1	6.5	5	4.8	4.5	2.8	1.6	1.5	2.4	2.4	1.8	1.3	
		in.lb	63.7	62.8	57.5	44.3	42.5	39.8	24.8	14.2	13.3	21.2	21.2	15.9	11.5	
Max. backlash	j_i	arcmin	Standard ≤ 3 / Reduced ≤ 2						Standard ≤ 4 / Reduced ≤ 3							
Torsional rigidity ^{b)}	C_{121}	Nm/arcmin	78						78							
		in.lb/arcmin	690						690							
Max. axial force ^{c)}	F_{2AMax}	N	13900						13900							
		lb _f	3128						3128							
Max. lateral force ^{c)}	F_{2QMax}	N	9000						9000							
		lb _f	2025						2025							
Max. tilting moment	M_{2KMax}	Nm	1544						1544							
		in.lb	13664						13664							
Efficiency at full load (at $n_1 = 500$ rpm)	η	%	94	92	89	86	77	70	87	90	87	75	68	75	68	
Service life	L_h	h	> 20000													
Weight (incl. standard adapter plate)	m	kg	33.0						35.5							
		lb _m	72.9						78.0							
Operating noise (at reference ratio and reference speed – ratio-specific values available in cymex [®])	L_{PA}	dB(A)	≤ 66						≤ 68							
Max. permitted housing temperature		°C	+90													
		F	194													
Ambient temperature		°C	-15 to +40													
		F	5 to 104													
Lubrication			Lubricated for life													
Direction of rotation			In- and output same direction													
Protection class			IP 65													
Metal bellows coupling (recommended product type – validate sizing with cymex [®])			BC3 - 00800A - 040.000 - X													
Bore diameter of coupling on the application side		mm	X = 030.000 - 060.000													
Mass moment of inertia (relates to the drive)	G 24	J_i	kgcm ²	-	-	-	-	-	-	10.40	10.10	10.10	8.80	9.50	9.40	9.30
			10 ⁻³ in.lb.s ²	-	-	-	-	-	-	9.20	8.94	8.94	7.79	8.41	8.32	8.23
Clamping hub diameter [mm]	K 38	J_i	kgcm ²	20.30	16.56	16.69	15.33	15.24	15.90	17.30	17.00	17.10	15.80	16.40	16.30	16.20
			10 ⁻³ in.lb.s ²	17.97	14.66	14.77	13.57	13.49	14.07	15.31	15.05	15.13	13.98	14.51	14.43	14.34

Please use our sizing software cymex[®] for a detailed sizing – www.wittenstein-cymex.com
Please contact us for optimum sizing at S1 conditions (Continuous operation).

- ^{a)} At max. 10 % F_{2QMax}
- ^{b)} Valid for standard Clamping hub diameter
- ^{c)} Refers to center of the output shaft or flange
- ^{d)} Please reduce input speed at higher ambient temperatures
- ^{e)} Smooth shaft

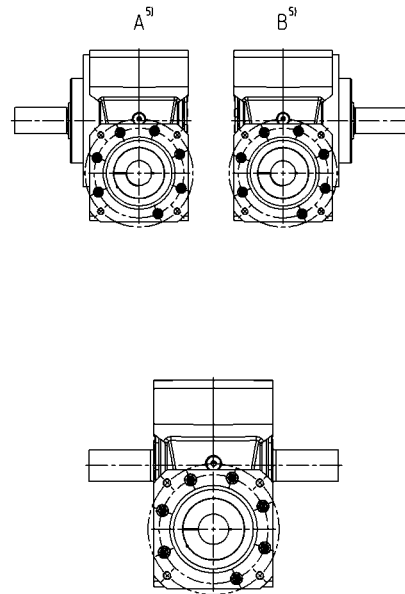
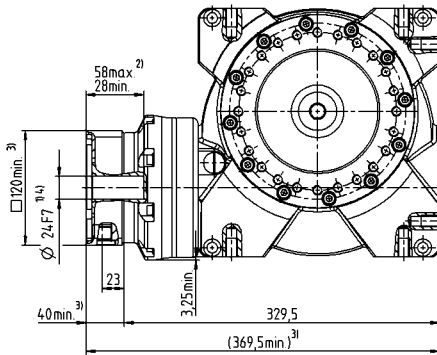
1-stage

up to 38⁴⁾ (K)⁶⁾
clamping hub diameter



2-stage

up to 24/38⁴⁾
(G⁶⁾/K) clamping hub diameter



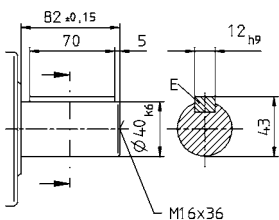
Optional dual-shaft output. Drawings available upon request.
Involute gearing is not possible.

Motor shaft diameter [mm]

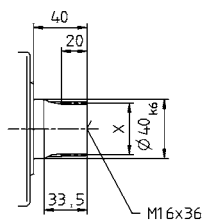
Worm gearboxes

Other output variants

Shaft with key



Spined shaft (DIN 5480)



See technical data sheet for available clamping hub diameters (mass moment of inertia). Dimensions available on request.

Non-tolerated dimensions are nominal dimensions

- ¹⁾ Check motor shaft fit.
- ²⁾ Min./Max. permissible motor shaft length. Longer motor shafts are adaptable, please contact us.
- ³⁾ The dimensions depend on the motor.
- ⁴⁾ Smaller motor shaft diameter is compensated by a bushing with a minimum thickness of 1 mm.
- ⁵⁾ Output side
- ⁶⁾ Standard clamping hub diameter

VS+

VS+ 100 MF 1-/2-stage

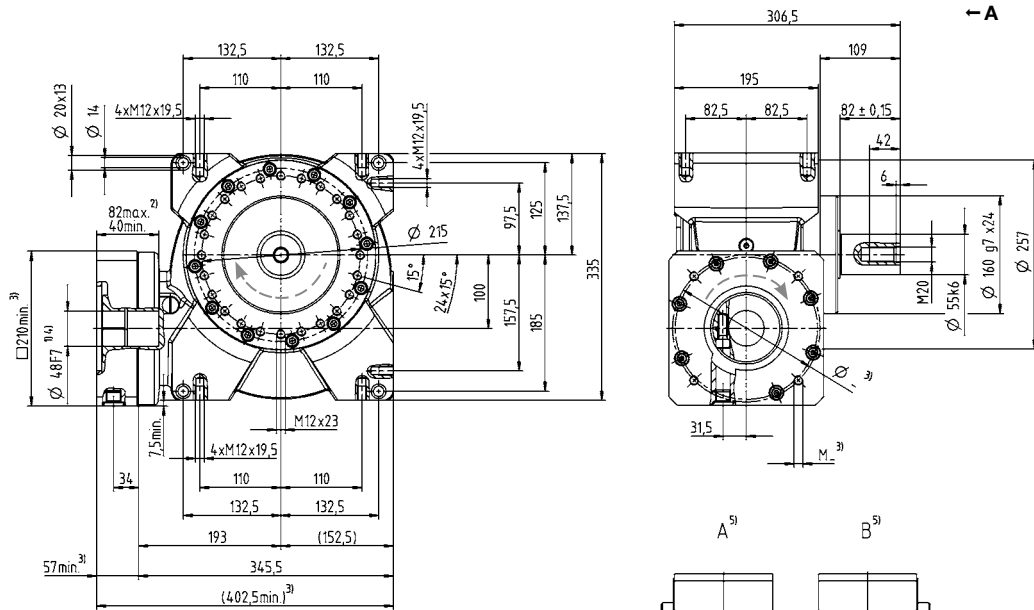
			1-stage						2-stage								
Ratio	<i>i</i>		4	7	10	16	28	40	50	70	100	140	200	280	400		
Max. torque ^{a) b) e)} (at $n_1 = 500$ rpm)	T_{2a}	Nm	1184	1336	1377	1392	1505	1376	1377	1336	1377	1505	1376	1505	1376		
		in.lb	10478	11824	12186	12319	13319	12178	12186	11825	12186	13319	12178	13319	12178		
Torque for constant backlash (over the lifetime)	T_{2Servo}	Nm	1155	1304	1343	1359	1469	1343	1343	1304	1343	1469	1343	1469	1343		
		in.lb	10222	11540	11886	12027	13001	11886	11886	11541	11886	13001	11886	13001	11886		
Emergency stop torque ^{a) b) e)} (permitted 1000 times during the service life of the gearbox)	T_{2Not}	Nm	1819	1932	1940	1955	2073	1856	1940	1940	1940	2073	1856	2073	1856		
		in.lb	16098	17098	17169	17302	18346	16426	17169	17169	17169	18346	16426	18346	16426		
Permitted average input speed (at 20 °C ambient temperature) ^{d)}	n_{1N}	rpm	3000						2700								
Max. input speed	n_{1Max}	rpm	3500						4000								
Mean no load running torque ^{b)} (at $n_1 = 3000$ rpm and 20 °C gearbox temperature)	T_{012}	Nm	12.2	10.5	9.8	9.1	8.2	7.2	4.1	2.3	2.2	3.8	3.6	2.6	2		
		in.lb	108.0	92.9	86.7	80.5	72.6	63.7	36.3	20.4	19.5	33.6	31.9	23.0	17.7		
Max. backlash	j_1	arcmin	Standard ≤ 3 / Reduced ≤ 2						Standard ≤ 4 / Reduced ≤ 3								
Torsional rigidity ^{b)}	C_{121}	Nm/arcmin							153								
		in.lb/arcmin							1354								
Max. axial force ^{c)}	F_{2AMax}	N							19500								
		lb _f							4388								
Max. lateral force ^{c)}	F_{2QMax}	N							14000								
		lb _f							3150								
Max. tilting moment	M_{2KMax}	Nm							3059								
		in.lb							27072								
Efficiency at full load (at $n_1 = 500$ rpm)	η	%	95	93	91	87	80	76	89	89	89	78	74	78	74		
Service life	L_h	h	> 20000														
Weight (incl. standard adapter plate)	m	kg	62.0						64.6								
		lb _m	137.0						143.0								
Operating noise (at reference ratio and reference speed – ratio-specific values available in cymex [®])	L_{PA}	dB(A)	≤ 70														
Max. permitted housing temperature		°C	+90														
		F	194														
Ambient temperature		°C	-15 to +40														
		F	5 to 104														
Lubrication			Lubricated for life														
Direction of rotation			In- and output same direction														
Protection class			IP 65														
Metal bellows coupling (recommended product type – validate sizing with cymex [®])			BC3 - 01500A - 055.000 - X														
Bore diameter of coupling on the application side		mm	X = 035.000 - 070.000														
Mass moment of inertia (relates to the drive)	K	38	J_1	kgcm ²	-	-	-	-	-	-	31.70	33.00	31.10	30.10	30.40	30.00	29.80
				10 ⁻³ in.lb.s ²	-	-	-	-	-	-	28.05	29.21	27.52	26.64	26.90	26.55	26.37
Clamping hub diameter [mm]	M	48	J_1	kgcm ²	50.02	40.63	38.73	39.60	37.14	37.47	46.40	47.70	45.80	44.80	45.10	44.70	44.50
				10 ⁻³ in.lb.s ²	44.27	35.96	34.28	35.05	32.87	33.16	41.06	42.21	40.53	39.65	39.91	39.56	39.38

Please use our sizing software cymex[®] for a detailed sizing – www.wittenstein-cymex.com
Please contact us for optimum sizing at S1 conditions (Continuous operation).

- ^{a)} At max. 10 % F_{2QMax}
- ^{b)} Valid for standard clamping hub diameter
- ^{c)} Refers to center of the output shaft or flange
- ^{d)} Please reduce input speed at higher ambient temperatures
- ^{e)} Smooth shaft

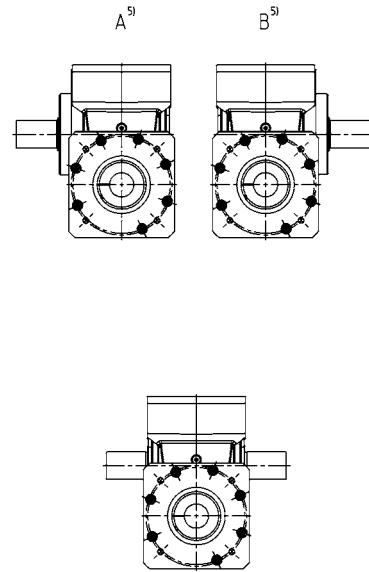
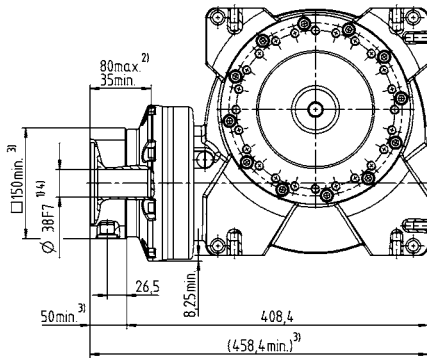
1-stage

up to 48⁴⁾ (M⁶⁾
clamping hub diameter



2-stage

up to 38/48⁴⁾
(K⁶⁾/M) clamping hub diameter



Optional dual-shaft output. Drawings available upon request.
Involute gearing is not possible.

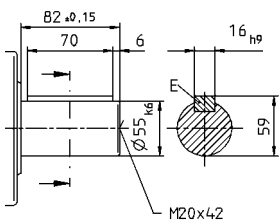
Motor shaft diameter [mm]

Worm gearboxes

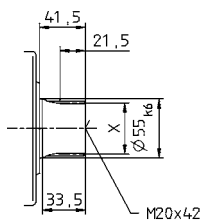
VS+

Other output variants

Shaft with key



Splined shaft (DIN 5480)



See technical data sheet for available clamping hub diameters (mass moment of inertia). Dimensions available on request.

Non-tolerated dimensions are nominal dimensions

¹⁾ Check motor shaft fit.

²⁾ Min./Max. permissible motor shaft length.

Longer motor shafts are adaptable, please contact us.

³⁾ The dimensions depend on the motor.

⁴⁾ Smaller motor shaft diameter is compensated by a bushing with a minimum thickness of 1 mm.

⁵⁾ Output side

⁶⁾ Standard clamping hub diameter

VT+ 050 MF 1-/2-stage

			1-stage						2-stage								
Ratio	i		4	7	10	16	28	40	50	70	100	140	200	280	400		
Max. torque ^{a) b)} (at $n_1 = 500$ rpm)	T_{2a}	Nm	165	180	182	193	204	183	182	180	182	204	183	204	183		
		in.lb	1460	1593	1611	1708	1805	1620	1611	1593	1611	1805	1620	1805	1620		
Torque for constant backlash (over the lifetime)	T_{2Servo}	Nm	54	71	74	81	90	74	74	71	74	90	74	90	74		
		in.lb	478	628	655	717	797	655	655	628	655	797	655	797	655		
Emergency stop torque ^{a) b)} (permitted 1000 times during the service life of the gearbox)	T_{2Not}	Nm	230	242	242	250	262	236	242	242	242	262	236	262	236		
		in.lb	2036	2142	2142	2213	2319	2089	2142	2142	2142	2319	2089	2319	2089		
Permitted average input speed (at 20 °C ambient temperature) ^{d)}	n_{1N}	rpm	4000						3500								
Max. input speed	n_{1Max}	rpm	6000														
Mean no load running torque ^{b)} (at $n_1 = 3000$ rpm and 20 °C gearbox temperature)	T_{012}	Nm	2.3	2.2	1.6	1.5	1.2	1.1	0.7	0.5	0.4	0.6	0.6	0.4	0.4		
		in.lb	20.4	19.5	14.2	13.3	10.6	9.7	6.2	4.4	3.5	5.3	5.3	3.5	3.5		
Max. backlash	j_i	arcmin	Standard ≤ 3 / Reduced ≤ 2						Standard ≤ 4 / Reduced ≤ 3								
Torsional rigidity ^{b)}	C_{121}	Nm/arcmin	17						8								
		in.lb/arcmin	150						71								
Max. axial force ^{c)}	F_{2AMax}	N							5000								
		lb _f							1125								
Max. tilting moment	M_{2KMax}	Nm							409								
		in.lb							3620								
Efficiency at full load (at $n_1 = 500$ rpm)	η	%	92	89	86	82	72	64	84	87	84	70	62	70	62		
Tilting rigidity	C_{2K}	Nm/arcmin							504								
		in.lb/arcmin							4460								
Service life	L_h	h	> 20000														
Weight (incl. standard adapter plate)	m	kg	9.0						9.5								
		lb _m	19.9						21.0								
Operating noise (at reference ratio and reference speed – ratio-specific values available in cymex [®])	L_{PA}	dB(A)	≤ 62														
Max. permitted housing temperature		°C	+90														
		F	194														
Ambient temperature		°C	-15 to +40														
		F	5 to 104														
Lubrication			Lubricated for life														
Direction of rotation			In- and output same direction														
Protection class			IP 65														
Metal bellows coupling (recommended product type – validate sizing with cymex [®])			BCT-00060AAX-050.000														
Bore diameter of coupling on the application side		mm	X = 014.000 - 035.000														
Mass moment of inertia (relates to the drive) Clamping hub diameter [mm]	C	14	J_1	kgcm ²	-	-	-	-	-	-	0.80	0.80	0.80	0.70	0.70	0.70	0.70
				10 ⁻³ in.lb.s ²	-	-	-	-	-	-	0.71	0.71	0.71	0.62	0.62	0.62	0.62
	E	19	J_1	kgcm ²	1.50	1.21	1.12	1.03	1.00	1.05	1.20	1.30	1.20	1.10	1.10	1.10	1.10
				10 ⁻³ in.lb.s ²	1.33	1.07	0.99	0.91	0.89	0.93	1.06	1.15	1.06	0.97	0.97	0.97	0.97
	G	24	J_1	kgcm ²	1.6	1.32	1.23	1.14	1.11	1.15	-	-	-	-	-	-	-
				10 ⁻³ in.lb.s ²	1.4	1.2	1.1	1.0	0.98	1.0	-	-	-	-	-	-	-

Please use our sizing software cymex[®] for a detailed sizing – www.wittenstein-cymex.com
Please contact us for optimum sizing at S1 conditions (Continuous operation).

^{a)} At max. 10 % M_{2KMax}

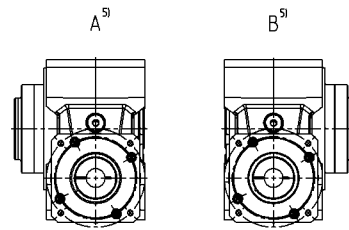
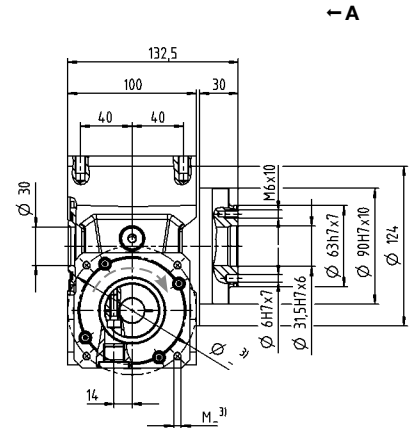
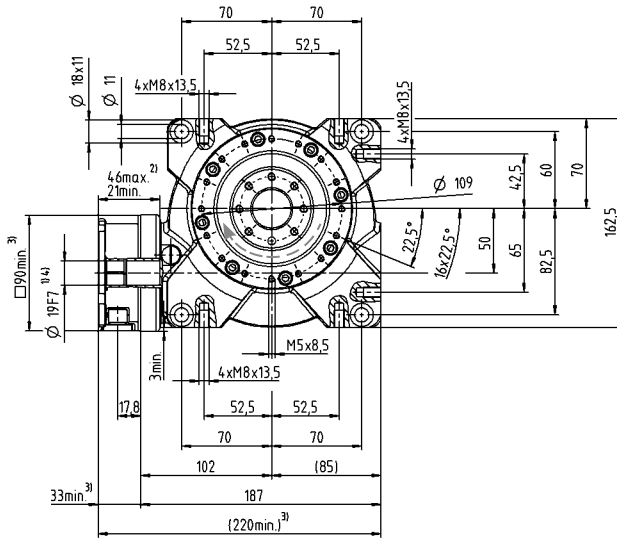
^{b)} Valid for standard clamping hub diameter

^{c)} Refers to center of the output shaft or flange

^{d)} Please reduce input speed at higher ambient temperatures

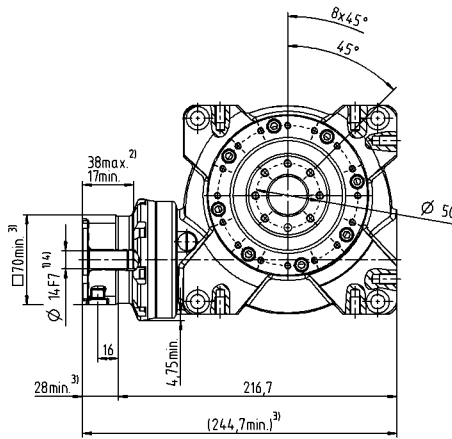
1-stage

up to 19/24⁴⁾
(E⁶⁾/G) clamping
hub diameter



2-stage

up to 14/19⁴⁾
(C⁶⁾/E) clamping
hub diameter



Motor shaft diameter [mm]

Worm gearboxes

See technical data sheet for available clamping hub diameters (mass moment of inertia). Dimensions available on request.

Non-tolerated dimensions are nominal dimensions

¹⁾ Check motor shaft fit.

²⁾ Min. / Max. permissible motor shaft length.

Longer motor shafts are adaptable, please contact us.

³⁾ The dimensions depend on the motor.

⁴⁾ Smaller motor shaft diameter is compensated by a bushing with a minimum thickness of 1 mm.

⁵⁾ Output side

⁶⁾ Standard clamping hub diameter

VT+

VT+ 063 MF 1-/2-stage

			1-stage						2-stage								
Ratio	<i>i</i>		4	7	10	16	28	40	50	70	100	140	200	280	400		
Max. torque ^{a) b)} (at $n_1 = 500$ rpm)	T_{2a}	Nm	319	353	364	372	392	363	364	353	364	392	363	392	363		
		in.lb	2823	3124	3221	3292	3469	3213	3221	3124	3221	3469	3213	3469	3213		
Torque for constant backlash (over the lifetime)	T_{2Servo}	Nm	198	210	225	221	229	226	225	210	225	229	226	229	226		
		in.lb	1752	1859	1991	1956	2027	2000	1991	1859	1991	2027	2000	2027	2000		
Emergency stop torque ^{a) b)} (permitted 1000 times during the service life of the gearbox)	T_{2Not}	Nm	460	484	491	494	518	447	491	484	494	518	447	518	447		
		in.lb	4071	4283	4345	4372	4584	3956	4345	4283	4372	4584	3956	4584	3956		
Permitted average input speed (at 20 °C ambient temperature) ^{d)}	n_{1N}	rpm	4000						3100								
Max. input speed	n_{1Max}	rpm	4500														
Mean no load running torque ^{b)} (at $n_1 = 3000$ rpm and 20 °C gearbox temperature)	T_{012}	Nm	4.2	3.1	3	2.4	2.3	2.2	1.2	0.7	0.7	1.1	1.1	0.8	0.6		
		in.lb	37.2	27.4	26.6	21.2	20.4	19.5	10.6	6.2	6.2	9.7	9.7	7.1	5.3		
Max. backlash	j_i	arcmin	Standard ≤ 3 / Reduced ≤ 2						Standard ≤ 4 / Reduced ≤ 3								
Torsional rigidity ^{b)}	C_{121}	Nm/arcmin	50						28								
		in.lb/arcmin	443						248								
Max. axial force ^{c)}	F_{2AMax}	N	8250														
		lb _f	1856														
Max. tilting moment	M_{2KMax}	Nm	843														
		in.lb	7461														
Efficiency at full load (at $n_1 = 500$ rpm)	η	%	93	91	88	83	74	68	86	89	86	72	66	72	66		
Tilting rigidity	C_{2K}	Nm/arcmin	603														
		in.lb/arcmin	5337														
Service life	L_h	h	> 20000														
Weight (incl. standard adapter plate)	m	kg	15.0						15.2								
		lb _m	33						34.0								
Operating noise (at reference ratio and reference speed – ratio-specific values available in cymex [®])	L_{PA}	dB(A)	≤ 64														
Max. permitted housing temperature		°C	+90														
		F	194														
Ambient temperature		°C	-15 to +40														
		F	5 to 104														
Lubrication			Lubricated for life														
Direction of rotation			In- and output same direction														
Protection class			IP 65														
Metal bellows coupling (recommended product type – validate sizing with cymex [®])			BCT-00150AAX-063.000														
Bore diameter of coupling on the application side		mm	X = 019.000 - 042.000														
Mass moment of inertia (relates to the drive) Clamping hub diameter [mm]	E	19	J_1	kgcm ²	-	-	-	-	-	-	2.60	2.80	2.50	2.40	2.40	2.40	2.30
				10 ⁻³ in.lb.s ²	-	-	-	-	-	-	2.30	2.48	2.21	2.12	2.12	2.12	2.04
	G	24	J_1	kgcm ²	-	-	-	-	-	-	4.10	4.30	4.10	4.00	4.00	3.90	3.90
				10 ⁻³ in.lb.s ²	-	-	-	-	-	-	3.63	3.81	3.63	3.54	3.54	3.45	3.45
H	28	J_1	kgcm ²	4.80	3.89	3.65	3.56	3.52	3.47	-	-	-	-	-	-	-	
			10 ⁻³ in.lb.s ²	4.25	3.44	3.23	3.15	3.12	3.07	-	-	-	-	-	-	-	

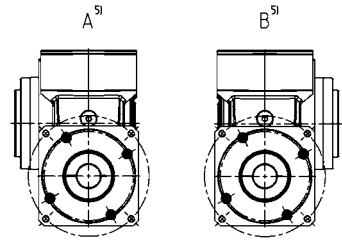
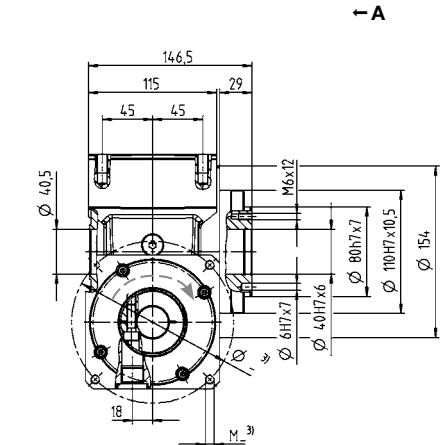
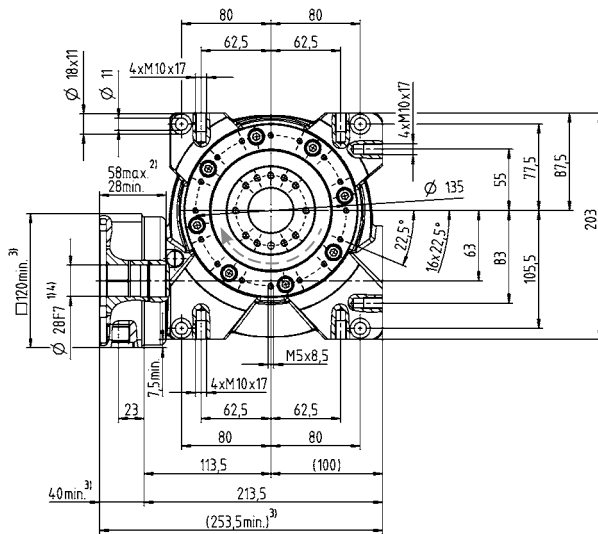
Please use our sizing software cymex[®] for a detailed sizing – www.wittenstein-cymex.com
Please contact us for optimum sizing at S1 conditions (Continuous operation).

- ^{a)} At max. 10 % M_{2KMax}
- ^{b)} Valid for standard clamping hub diameter
- ^{c)} Refers to center of the output shaft or flange
- ^{d)} Please reduce input speed at higher ambient temperatures

View A

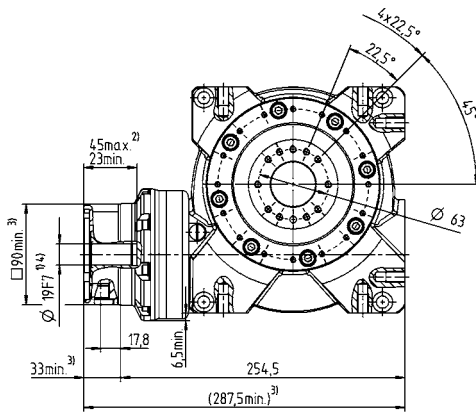
1-stage

up to 28⁴⁾ (H)⁶⁾
clamping hub diameter



2-stage

up to 19/24⁴⁾ (E⁶⁾/G)
clamping hub diameter



Motor shaft diameter [mm]

Worm gearboxes

See technical data sheet for available clamping hub diameters (mass moment of inertia). Dimensions available on request.

Non-tolerated dimensions are nominal dimensions

¹⁾ Check motor shaft fit.

²⁾ Min. / Max. permissible motor shaft length.

Longer motor shafts are adaptable, please contact us.

³⁾ The dimensions depend on the motor.

⁴⁾ Smaller motor shaft diameter is compensated by a bushing with a minimum thickness of 1 mm.

⁵⁾ Output side

⁶⁾ Standard clamping hub diameter

VT⁺

VT+ 080 MF 1-/2-stage

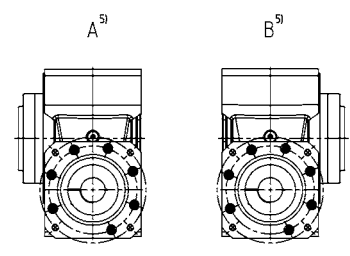
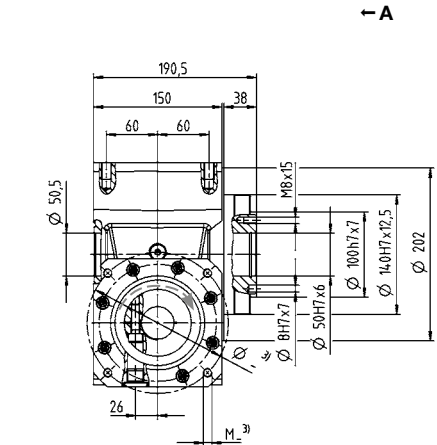
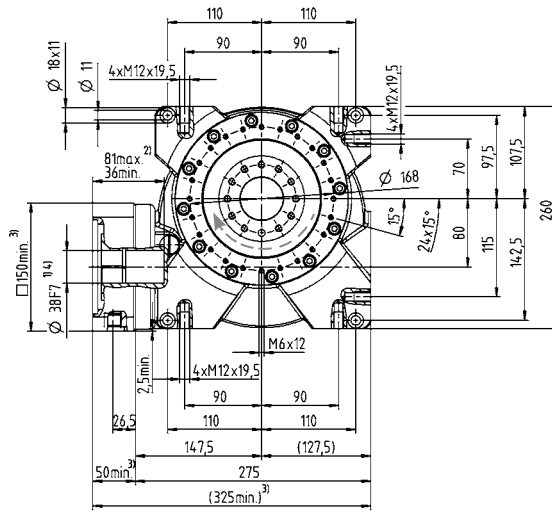
			1-stage						2-stage								
Ratio	<i>i</i>		4	7	10	16	28	40	50	70	100	140	200	280	400		
Max. torque ^{a) b)} (at $n_n = 500$ rpm)	T_{2a}	Nm	578	646	672	702	785	676	672	646	672	785	676	785	676		
		in.lb	5115	5717	5947	6213	6947	5983	5947	5717	5947	6947	5983	6947	5983		
Torque for constant backlash (over the lifetime)	T_{2Servo}	Nm	469	601	613	677	764	631	613	601	613	764	631	764	631		
		in.lb	4151	5319	5425	5991	6761	5584	5425	5319	5425	6761	5584	6761	5584		
Emergency stop torque ^{a) b)} (permitted 1000 times during the service life of the gearbox)	T_{2Not}	Nm	938	993	963	1005	1064	941	963	993	963	1064	941	1064	941		
		in.lb	8301	8788	8523	8894	9416	8328	8523	8788	8523	9416	8328	9416	8328		
Permitted average input speed (at 20 °C ambient temperature) ^{d)}	n_{1N}	rpm	3500						2900								
Max. input speed	n_{1Max}	rpm	4000						4500								
Mean no load running torque ^{b)} (at $n_n = 3000$ rpm and 20 °C gearbox temperature)	T_{012}	Nm	7.2	7.1	6.5	5	4.8	4.5	2.8	1.6	1.5	2.4	2.4	1.8	1.3		
		in.lb	63.7	62.8	57.5	44.3	42.5	39.8	24.8	14.2	13.3	21.2	21.2	15.9	11.5		
Max. backlash	j_i	arcmin	Standard ≤ 3 / Reduced ≤ 2						Standard ≤ 4 / Reduced ≤ 3								
Torsional rigidity ^{b)}	C_{121}	Nm/arcmin	113						78								
		in.lb/arcmin	1000						690								
Max. axial force ^{c)}	F_{2AMax}	N	13900						13900								
		lb _f	3128						3128								
Max. tilting moment	M_{2KMax}	Nm	1544						1544								
		in.lb	13664						13664								
Efficiency at full load (at $n_n = 500$ rpm)	η	%	94	92	89	86	77	70	87	90	87	75	68	75	68		
Tilting rigidity	C_{2K}	Nm/arcmin	1178						1178								
		in.lb/arcmin	10425						10425								
Service life	L_h	h	> 20000						> 20000								
Weight (incl. standard adapter plate)	m	kg	32.0						33.5								
		lb _m	70.7						74.0								
Operating noise (at reference ratio and reference speed – ratio-specific values available in cymex [®])	L_{PA}	dB(A)	≤ 66						≤ 68								
Max. permitted housing temperature		°C	+90						+90								
		F	194						194								
Ambient temperature		°C	-15 to +40						-15 to +40								
		F	5 to 104						5 to 104								
Lubrication			Lubricated for life						Lubricated for life								
Direction of rotation			In- and output same direction						In- and output same direction								
Protection class			IP 65						IP 65								
Metal bellows coupling (recommended product type – validate sizing with cymex [®])			BCT-00300AAX-080.000						BCT-00300AAX-080.000								
Bore diameter of coupling on the application side		mm	X = 024.000 - 060.000						X = 024.000 - 060.000								
Mass moment of inertia (relates to the drive) Clamping hub diameter [mm]	G	24	J_1	kgcm ²	-	-	-	-	-	10.40	10.10	10.10	8.80	9.50	9.40	9.30	
				10 ⁻³ in.lb.s ²	-	-	-	-	-	9.20	8.94	8.94	7.79	8.41	8.32	8.23	
	K	38	J_1	kgcm ²	20.30	16.56	16.69	15.33	15.24	15.90	17.30	17.00	17.10	15.80	16.40	16.30	16.20
				10 ⁻³ in.lb.s ²	17.97	14.66	14.77	13.57	13.49	14.07	15.31	15.05	15.13	13.98	14.51	14.43	14.34

Please use our sizing software cymex[®] for a detailed sizing – www.wittenstein-cymex.com
Please contact us for optimum sizing at S1 conditions (Continuous operation).

- ^{a)} At max. 10 % M_{2KMax}
- ^{b)} Valid for standard clamping hub diameter
- ^{c)} Refers to center of the output shaft or flange
- ^{d)} Please reduce input speed at higher ambient temperatures

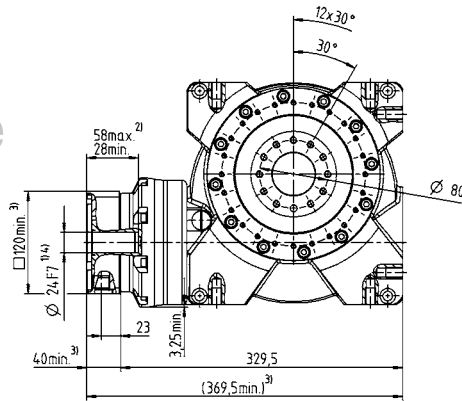
1-stage

up to 38⁴⁾ (K)⁶⁾
clamping hub diameter



2-stage

up to 24/38⁴⁾
(G⁶⁾/K) clamping
hub diameter



Motor shaft diameter [mm]

Worm gearboxes

See technical data sheet for available clamping hub diameters (mass moment of inertia). Dimensions available on request.

Non-tolerated dimensions are nominal dimensions

- ¹⁾ Check motor shaft fit.
- ²⁾ Min. / Max. permissible motor shaft length.
Longer motor shafts are adaptable, please contact us.
- ³⁾ The dimensions depend on the motor.
- ⁴⁾ Smaller motor shaft diameter is compensated by a bushing with a minimum thickness of 1 mm.
- ⁵⁾ Output side
- ⁶⁾ Standard clamping hub diameter

VT+

VT+ 100 MF 1-/2-stage

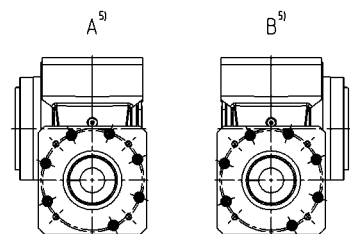
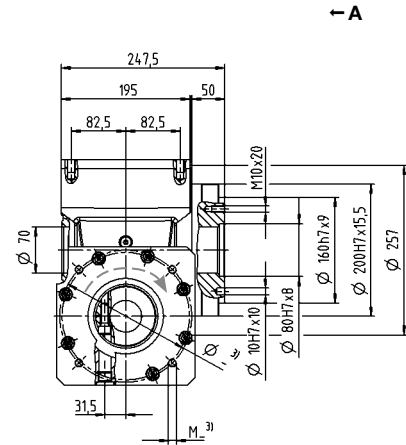
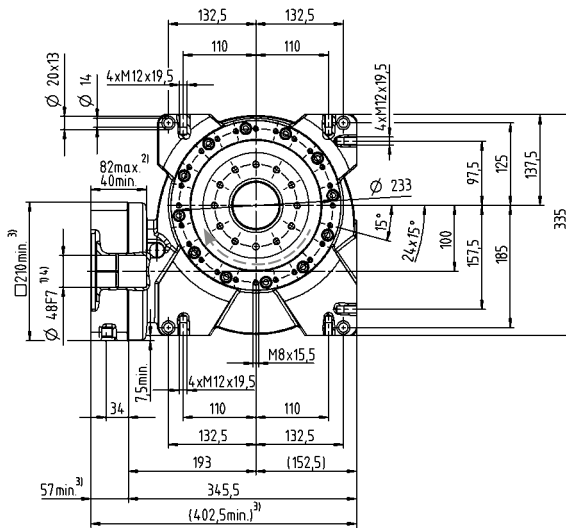
			1-stage						2-stage								
Ratio	<i>i</i>		4	7	10	16	28	40	50	70	100	140	200	280	400		
Max. torque ^{a) b)} (at $n_n = 500$ rpm)	T_{2a}	Nm	1184	1336	1377	1392	1505	1376	1377	1336	1377	1505	1376	1505	1376		
		in.lb	10478	11824	12186	12319	13319	12178	12186	11825	12186	13319	12178	13319	12178		
Torque for constant backlash (over the lifetime)	T_{2Servo}	Nm	1155	1304	1343	1359	1469	1343	1343	1304	1343	1469	1343	1469	1343		
		in.lb	10222	11540	11886	12027	13001	11886	11886	11541	11886	13001	11886	13001	11886		
Emergency stop torque ^{a) b)} (permitted 1000 times during the service life of the gearbox)	T_{2Not}	Nm	1819	1932	1940	1955	2073	1856	1940	1940	1940	2073	1856	2073	1856		
		in.lb	16098	17098	17169	17302	18346	16426	17169	17169	17169	18346	16426	18346	16426		
Permitted average input speed (at 20 °C ambient temperature) ^{d)}	n_{1N}	rpm	3000						2700								
Max. input speed	n_{1Max}	rpm	3500						4000								
Mean no load running torque ^{b)} (at $n_n = 3000$ rpm and 20 °C gearbox temperature)	T_{012}	Nm	12.2	10.5	9.8	9.1	8.2	7.2	4.1	2.3	2.2	3.8	3.6	2.6	2		
		in.lb	108.0	92.9	86.7	80.5	72.6	63.7	36.3	20.4	19.5	33.6	31.9	23.0	17.7		
Max. backlash	j_i	arcmin	Standard ≤ 3 / Reduced ≤ 2						Standard ≤ 4 / Reduced ≤ 3								
Torsional rigidity ^{b)}	C_{121}	Nm/arcmin	213						153								
		in.lb/arcmin	1885						1354								
Max. axial force ^{c)}	F_{2AMax}	N	19500														
		lb _f	4388														
Max. tilting moment	M_{2KMax}	Nm	3059														
		in.lb	27072														
Efficiency at full load (at $n_n = 500$ rpm)	η	%	95	93	91	87	80	76	89	89	89	78	74	78	74		
Tilting rigidity	C_{2K}	Nm/arcmin	2309														
		in.lb/arcmin	20435														
Service life	L_h	h	> 20000														
Weight (incl. standard adapter plate)	m	kg	63.0						64.6								
		lb _m	139.0						143.0								
Operating noise (at reference ratio and reference speed – ratio-specific values available in cymex [®])	L_{PA}	dB(A)	≤ 70														
Max. permitted housing temperature		°C	+90														
		F	194														
Ambient temperature		°C	-15 to +40														
		F	5 to 104														
Lubrication			Lubricated for life														
Direction of rotation			In- and output same direction														
Protection class			IP 65														
Metal bellows coupling (recommended product type – validate sizing with cymex [®])			BCT-01500AAX-125.000														
Bore diameter of coupling on the application side		mm	X = 050.000 - 080.000														
Mass moment of inertia (relates to the drive)	K	38	J_1	kgcm ²	-	-	-	-	-	31.70	33.00	31.10	30.10	30.40	30.00	29.80	
				10 ⁻³ in.lb.s ²	-	-	-	-	-	28.05	29.21	27.52	26.64	26.90	26.55	26.37	
Clamping hub diameter [mm]	M	48	J_1	kgcm ²	50.02	40.63	38.73	39.60	37.14	37.47	46.40	47.70	45.80	44.80	45.10	44.70	44.50
				10 ⁻³ in.lb.s ²	44.27	35.96	34.28	35.05	32.87	33.16	41.06	42.21	40.53	39.65	39.91	39.56	39.38

Please use our sizing software cymex[®] for a detailed sizing – www.wittenstein-cymex.com
Please contact us for optimum sizing at S1 conditions (Continuous operation).

- ^{a)} At max. 10 % M_{2KMax}
- ^{b)} Valid for standard clamping hub diameter
- ^{c)} Refers to center of the output shaft or flange
- ^{d)} Please reduce input speed at higher ambient temperatures

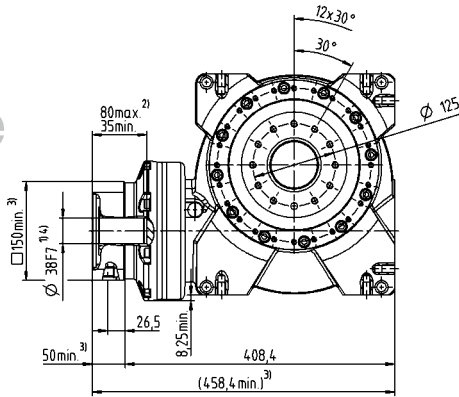
1-stage

up to 48⁴⁾ (M⁶⁾
clamping hub diameter



2-stage

up to 38 / 48⁴⁾
(K⁶⁾ / M) clamping hub diameter



Motor shaft diameter [mm]

Worm gearboxes

See technical data sheet for available clamping hub diameters (mass moment of inertia). Dimensions available on request.

- Non-tolerated dimensions are nominal dimensions
- ¹⁾ Check motor shaft fit.
- ²⁾ Min. / Max. permissible motor shaft length.
Longer motor shafts are adaptable, please contact us.
- ³⁾ The dimensions depend on the motor.
- ⁴⁾ Smaller motor shaft diameter is compensated by a bushing with a minimum thickness of 1 mm.
- ⁵⁾ Output side
- ⁶⁾ Standard clamping hub diameter

VT+

Application-specific solutions

The right solution for all requirements

Varying customer requirements create major challenges for Delta robots and require continuous further development of the drives. For more than ten years, WITTENSTEIN has been developing and manufacturing gearbox and servo actuator solutions for Delta robots that are just as individual as the applications of our customers. With unique engineering experience, recognized methodological competencies and software expertise as well as a high-performance product portfolio, we offer our customers the security of a technically and economically refined drive design for highly dynamic, multidimensional movement profiles.





Hygienically safe drive

Our products with hygienic design are specially developed for challenging food processing applications, made of highly resistant stainless steel and ideal for cleaning with aggressive cleaning agents and disinfectants.

Direct process integration allows new freedom in design and an open machine concept without encasings.

DP+ – The right solution for all requirements

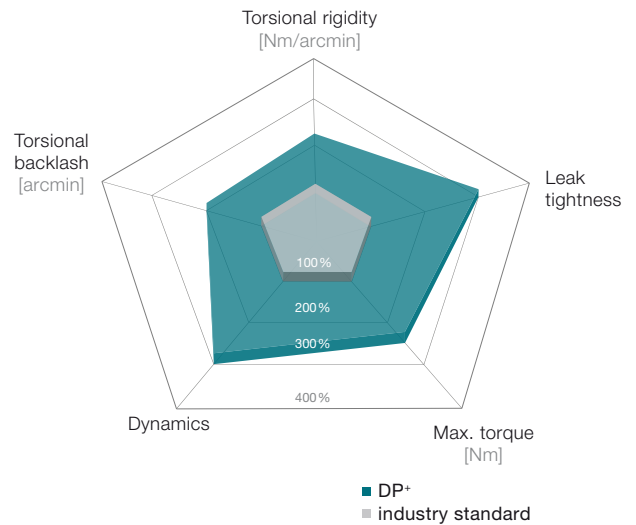


The DP+ planetary gearbox was specially developed for use in Delta robotics applications. Various characteristics allow use of the gearbox in dry, spray and wet areas (HDP+). In addition to an optimized sealing system, this drive solution includes advantages such as improved dynamics due to the optimized moment of inertia. The DP+ is available in four sizes and covers a ratio range of $i = 16 - 55$.

Product highlights

- Reliability** Extremely reliable gearboxes prevent cost-intensive machine breakdowns
- Positioning accuracy** Minimal backlash and extreme rigidity ensure maximum positioning accuracy at the tool center point
- Speed** Highest speeds increase machine output
- Maintenance** Highest quality standards guarantee a long service life and extend maintenance intervals
- Consistently high performance** Constant backlash throughout the service life of the gearbox ensures a consistently high performance
- Low inertia** Use of an servo actuator further reduces inertia

The DP+ compared to the industry standard



Dry area



Fields of application: Secondary packaging, Handling, Mounting, Intralogistics ...

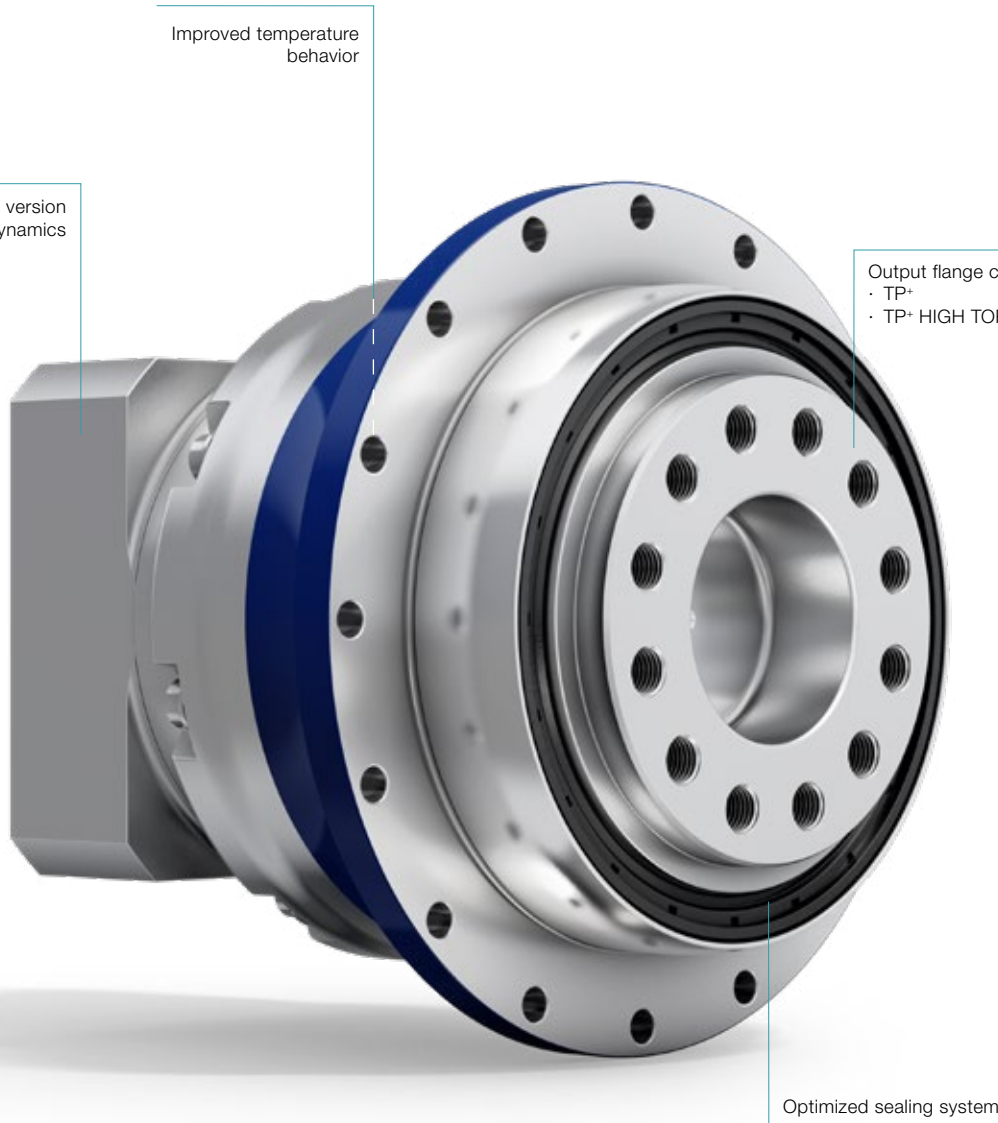
Spray area (close to the process)



Fields of application: Pharmaceutical industry, Medical technology, Primary packaging without hygiene design requirements, Clean room...



More information on Delta robotics: simply scan the QR code with your smartphone.



Improved temperature behavior

Mass inertia optimized version for improved dynamics

Output flange compatible with:
· TP+
· TP+ HIGH TORQUE

Optimized sealing system

Application-spec. solutions

💧 Wet area (integrated in the process)



HDP+

Fields of application: Primary packaging with hygiene design requirements

We are happy to advise you on individual solutions for your project-specific requirements.



Custom solutions

DP+ 004 MF 2-stage

			2-stage											
Ratio	<i>i</i>		16	20	21	25	28	31	32	35	40	50		
Max. torque ^{a) b)}	T_{2a}	Nm	57	57	60	72	57	50	57	72	57	72		
		in.lb	507	507	533	634	507	442	507	634	507	634		
Max. acceleration torque ^{b)} (max. 1000 cycles per hour)	T_{2B}	Nm	57	57	48	66	57	48	57	66	57	66		
		in.lb	507	507	425	584	507	425	507	584	507	584		
Nominal torque (at n_n)	T_{2N}	Nm	39	41	32	41	45	36	39	45	46	48		
		in.lb	342	365	286	361	403	320	343	399	406	421		
Emergency stop torque ^{a) b)} (permitted 1000 times during the service life of the gearbox)	T_{2Not}	Nm	100	100	100	100	100	100	100	100	100	100		
		in.lb	885	885	885	885	885	885	885	885	885	885		
Permitted average input speed (at T_{2a} and 20 °C ambient temperature) ^{d)}	n_{1N}	rpm	4000	4000	4000	4000	4000	4000	4000	4000	4000	4800		
Max. input speed	n_{1Max}	rpm	7500	7500	7500	7500	7500	7500	7500	7500	7500	7500		
Mean no load running torque ^{b)} (at $n_1 = 3000$ rpm and 20 °C gearbox temperature)	T_{012}	Nm	0.28	0.23	0.24	0.22	0.21	0.22	0.21	0.17	0.18	0.17		
		in.lb	2.5	2.0	2.1	1.9	1.9	1.9	1.9	1.5	1.6	1.5		
Max. backlash	j_t	arcmin	Standard ≤ 4 / Reduced ≤ 2											
Torsional rigidity ^{b)}	C_{t21}	Nm/arcmin	12	12	10	12	12	9	12	12	11	12		
		in.lb/arcmin	106	106	89	106	106	80	106	106	97	106		
Tilting rigidity	C_{2K}	Nm/arcmin	85											
		in.lb/arcmin	752											
Max. axial force ^{c)}	F_{2AMax}	N	2119											
		lb _f	477											
Max. tilting moment	M_{2KMax}	Nm	110											
		in.lb	974											
Efficiency at full load	η	%	94											
Service life	L_h	h	> 20000											
Weight (incl. standard adapter plate)	m	kg	1.5											
		lb _m	3.3											
Operating noise (at reference ratio and reference speed – ratio-specific values available in cymex [®])	L_{PA}	dB(A)	≤ 54											
Max. permitted housing temperature		°C	+90											
		F	194											
Ambient temperature		°C	-15 to +40											
		F	5 to 104											
Lubrication			Lubricated for life											
Direction of rotation			In- and output same direction											
Protection class			IP 65											
Metal bellows coupling (recommended product type – validate sizing with cymex [®])			-											
Bore diameter of coupling on the application side		mm	-											
Mass moment of inertia (relates to the drive) Clamping hub diameter [mm] Optimized mass inertia version available on request	B	11	J_1	kgcm ²	0.078	0.070	0.074	0.068	0.062	0.072	0.062	0.061	0.057	0.057
				10 ⁻³ in.lb.s ²	0.069	0.062	0.065	0.060	0.055	0.064	0.055	0.054	0.050	0.050
	C	14	J_1	kgcm ²	0.17	0.17	0.17	0.16	0.16	0.17	0.16	0.16	0.15	0.15
				10 ⁻³ in.lb.s ²	0.15	0.15	0.15	0.15	0.14	0.15	0.14	0.14	0.14	0.14

Please use our sizing software cymex[®] for a detailed sizing – www.wittenstein-cymex.com

^{a)} At max. 10 % M_{2KMax}

^{b)} Valid for standard clamping hub diameter

^{c)} Refers to center of the output shaft or flange

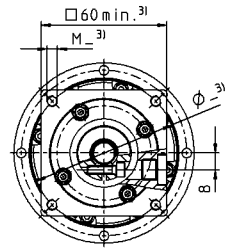
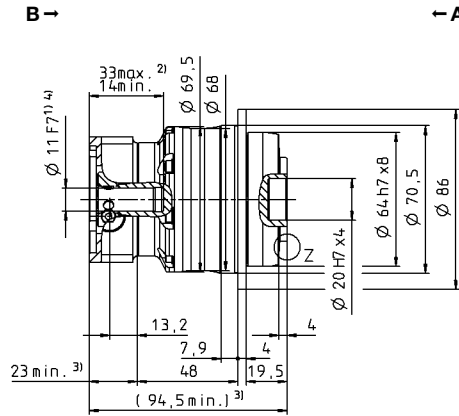
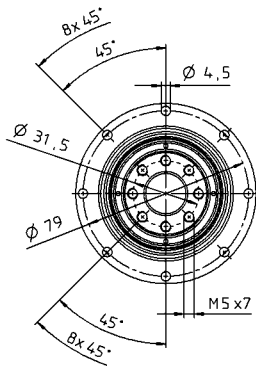
^{d)} Please reduce input speed at higher ambient temperatures

View A

View B

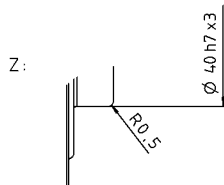
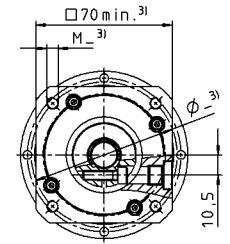
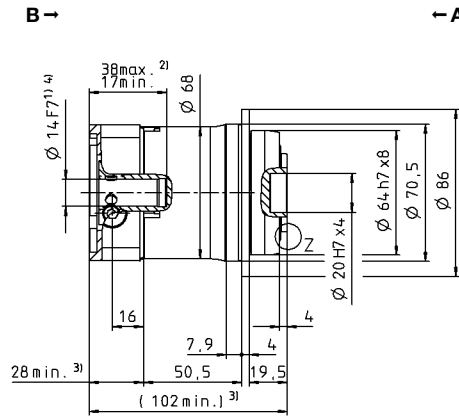
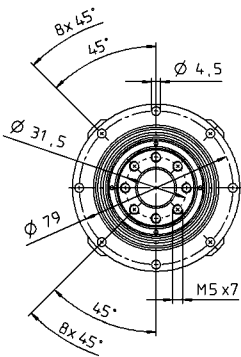
2-stage

up to 11⁴⁾ (B)⁵⁾
clamping hub
diameter



Motor shaft diameter [mm]

up to 14⁴⁾ (C)
clamping hub
diameter



Non-tolerated dimensions are nominal dimensions

¹⁾ Check motor shaft fit

²⁾ Min./Max. permissible motor shaft length. Longer motor shafts are possible, please contact alpha.

³⁾ The dimensions depend on the motor

⁴⁾ Smaller motor shaft diameter is compensated by a bushing with a minimum thickness of 1 mm

⁵⁾ Standard clamping hub diameter

DP+ 010 MF 2-stage

			2-stage											
Ratio	i		16	20	21	25	28	31	32	35	40	50		
Max. torque ^{a) b)}	T_{2a}	Nm	157	126	133	158	157	121	157	158	154	158		
		in.lb	1392	1118	1174	1398	1392	1071	1392	1398	1363	1398		
Max. acceleration torque ^{b)} (max. 1000 cycles per hour)	T_{2B}	Nm	157	126	120	158	157	121	157	158	154	158		
		in.lb	1392	1113	1062	1398	1392	1071	1392	1398	1363	1398		
Nominal torque (at n_n)	T_{2N}	Nm	106	101	96	124	107	87	119	126	112	126		
		in.lb	935	895	850	1097	945	770	1053	1118	987	1118		
Emergency stop torque ^{a) b)} (permitted 1000 times during the service life of the gearbox)	T_{2Not}	Nm	251	251	251	251	251	251	251	251	251	251		
		in.lb	2222	2222	2222	2222	2222	2222	2222	2222	2222	2222		
Permitted average input speed (at T_{2a} and 20 °C ambient temperature) ^{d)}	n_{1N}	rpm	3500	3500	3500	3500	3500	3500	3500	3500	3500	3800		
Max. input speed	n_{1Max}	rpm	7500	7500	7500	7500	7500	7500	7500	7500	7500	7500		
Mean no load running torque ^{b)} (at $n_1 = 3000$ rpm and 20 °C gearbox temperature)	T_{012}	Nm	0.56	0.48	0.47	0.44	0.40	0.40	0.40	0.28	0.32	0.32		
		in.lb	5.0	4.2	4.2	3.9	3.5	3.5	3.5	2.5	2.8	2.8		
Max. backlash	j_t	arcmin	Standard ≤ 3 / Reduced ≤ 1											
Torsional rigidity ^{b)}	C_{t21}	Nm/arcmin	32	32	26	32	31	24	31	32	30	30		
		in.lb/arcmin	283	283	230	283	274	212	274	283	266	266		
Tilting rigidity	C_{2K}	Nm/arcmin	225											
		in.lb/arcmin	1991											
Max. axial force ^{c)}	F_{2AMax}	N	2795											
		lb _f	629											
Max. tilting moment	M_{2KMax}	Nm	270											
		in.lb	2390											
Efficiency at full load	η	%	94											
Service life	L_h	h	> 20000											
Weight (incl. standard adapter plate)	m	kg	3.6											
		lb _m	8.0											
Operating noise (at reference ratio and reference speed – ratio-specific values available in cymex [®])	L_{PA}	dB(A)	≤ 55											
Max. permitted housing temperature		°C	+90											
		F	194											
Ambient temperature		°C	-15 to +40											
		F	5 to 104											
Lubrication			Lubricated for life											
Direction of rotation			In- and output same direction											
Protection class			IP 65											
Metal bellows coupling (recommended product type – validate sizing with cymex [®])			-											
Bore diameter of coupling on the application side		mm	-											
Mass moment of inertia (relates to the drive) Clamping hub diameter [mm] Optimized mass inertia version available on request	B	11	J_1	kgcm ²	0.17	0.14	0.15	0.13	0.11	0.14	0.11	0.10	0.09	0.09
				10 ⁻³ in.lb.s ²	0.15	0.12	0.13	0.12	0.10	0.12	0.10	0.09	0.08	0.08
	C	14	J_1	kgcm ²	0.24	0.21	0.22	0.20	0.18	0.21	0.18	0.18	0.17	0.17
				10 ⁻³ in.lb.s ²	0.21	0.19	0.20	0.18	0.16	0.18	0.16	0.16	0.15	0.15
	E	19	J_1	kgcm ²	0.56	0.53	0.55	0.53	0.51	0.53	0.51	0.50	0.49	0.49
				10 ⁻³ in.lb.s ²	0.50	0.47	0.48	0.47	0.45	0.47	0.45	0.44	0.43	0.43

Please use our sizing software cymex[®] for a detailed sizing – www.wittenstein-cymex.com

^{a)} At max. 10 % M_{2KMax}

^{b)} Valid for standard clamping hub diameter

^{c)} Refers to center of the output shaft or flange

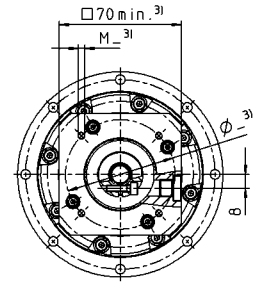
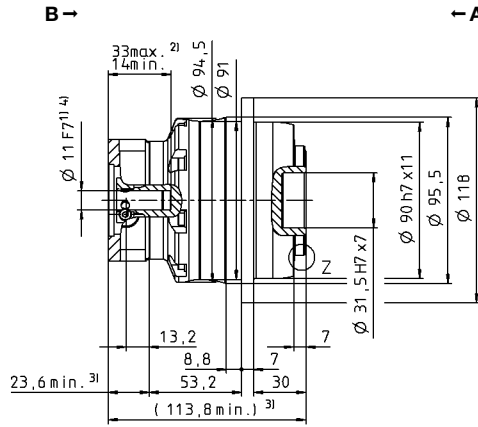
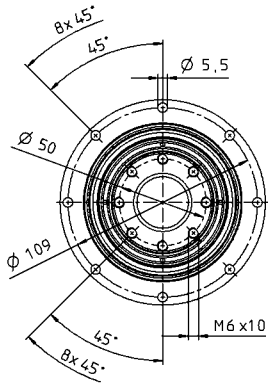
^{d)} Please reduce input speed at higher ambient temperatures

View A

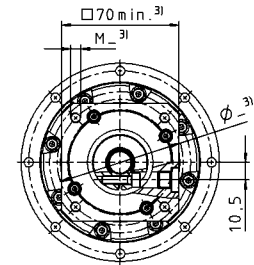
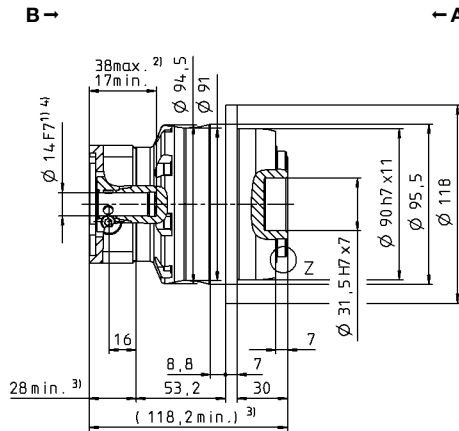
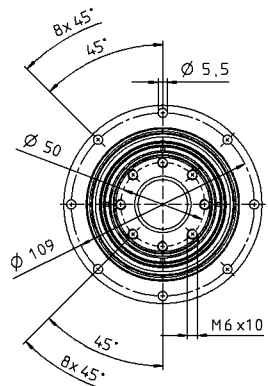
View B

2-stage

up to 11⁴⁾ (B)
clamping hub diameter

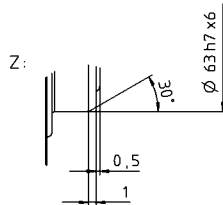
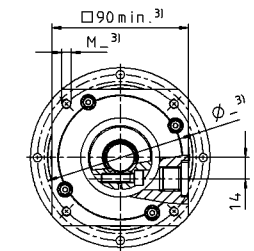
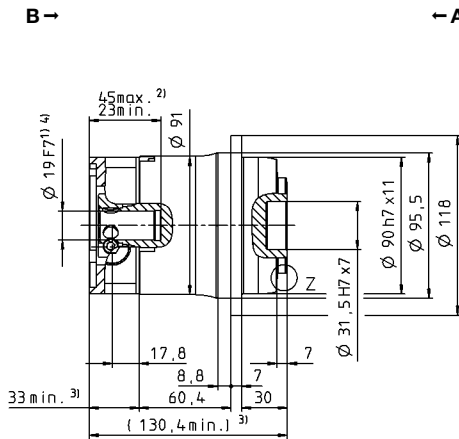
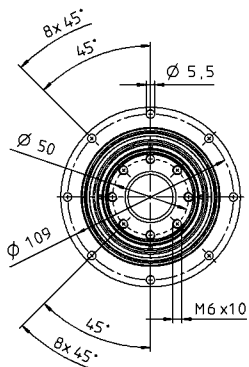


up to 14⁴⁾ (C)⁵⁾
clamping hub diameter



Motor shaft diameter [mm]

up to 19⁴⁾ (E)
clamping hub diameter



Non-tolerated dimensions are nominal dimensions

¹⁾ Check motor shaft fit

²⁾ Min./Max. permissible motor shaft length. Longer motor shafts are possible, please contact alpha.

³⁾ The dimensions depend on the motor

⁴⁾ Smaller motor shaft diameter is compensated by a bushing with a minimum thickness of 1 mm

⁵⁾ Standard clamping hub diameter

DP+ 025 MF 2-stage

			2-stage											
Ratio	<i>i</i>		16	20	21	25	28	31	32	35	40	50		
Max. torque ^{a) b)}	T_{2a}	Nm	352	352	352	380	352	352	352	380	352	380		
		in.lb	3115	3115	3115	3363	3115	3115	3115	3115	3363	3115	3363	
Max. acceleration torque ^{b)} (max. 1000 cycles per hour)	T_{2B}	Nm	352	352	330	380	352	330	352	380	352	380		
		in.lb	3115	3115	2921	3363	3115	2921	3115	3363	3115	3363		
Nominal torque (at n_n)	T_{2N}	Nm	250	267	211	265	282	231	251	294	282	304		
		in.lb	2213	2366	1872	2348	2492	2047	2220	2598	2492	2691		
Emergency stop torque ^{a) b)} (permitted 1000 times during the service life of the gearbox)	T_{2Not}	Nm	625	625	625	625	625	625	625	625	625	625		
		in.lb	5532	5532	5532	5532	5532	5532	5532	5532	5532	5532		
Permitted average input speed (at T_{2a} and 20 °C ambient temperature) ^{d)}	n_{1N}	rpm	2800	2800	2800	2800	2800	2800	2800	2800	2800	3100		
Max. input speed	n_{1Max}	rpm	7500	7500	7500	7500	7500	7500	7500	7500	7500	7500		
Mean no load running torque ^{b)} (at $n_i = 3000$ rpm and 20 °C gearbox temperature)	T_{012}	Nm	1.2	1.0	1.1	0.90	0.80	0.84	0.80	0.60	0.59	0.50		
		in.lb	10	8.9	9.9	8.0	7.1	7.4	7.1	5.3	5.2	4.4		
Max. backlash	j_t	arcmin	Standard ≤ 3 / Reduced ≤ 1											
Torsional rigidity ^{b)}	C_{t21}	Nm/arcmin	81	81	70	83	80	54	80	82	76	80		
		in.lb/arcmin	717	717	620	735	708	478	708	726	673	708		
Tilting rigidity	C_{2K}	Nm/arcmin	550											
		in.lb/arcmin	4868											
Max. axial force ^{c)}	F_{2AMax}	N	4800											
		lb _f	1080											
Max. tilting moment	M_{2KMax}	Nm	440											
		in.lb	3894											
Efficiency at full load	η	%	94											
Service life	L_h	h	> 20000											
Weight (incl. standard adapter plate)	m	kg	6.7											
		lb _m	14.8											
Operating noise (at reference ratio and reference speed – ratio-specific values available in cymex [®])	L_{PA}	dB(A)	≤ 58											
Max. permitted housing temperature		°C	+90											
		F	194											
Ambient temperature		°C	-15 to +40											
		F	5 to 104											
Lubrication			Lubricated for life											
Direction of rotation			In- and output same direction											
Protection class			IP 65											
Metal bellows coupling (recommended product type – validate sizing with cymex [®])			-											
Bore diameter of coupling on the application side		mm	-											
Mass moment of inertia (relates to the drive) Clamping hub diameter [mm] Optimized mass inertia version available on request	C	14	J_1	kgcm ²	0.66	0.55	0.60	0.53	0.44	0.55	0.44	0.43	0.38	0.38
				10 ⁻³ in.lb.s ²	0.58	0.48	0.53	0.47	0.39	0.49	0.39	0.38	0.34	0.33
	E	19	J_1	kgcm ²	0.83	0.71	0.77	0.70	0.61	0.72	0.61	0.60	0.55	0.55
				10 ⁻³ in.lb.s ²	0.73	0.63	0.68	0.62	0.54	0.64	0.54	0.53	0.49	0.48
	G	24	J_1	kgcm ²	2.20	2.08	2.14	2.07	1.98	2.09	1.98	1.97	1.92	1.92
				10 ⁻³ in.lb.s ²	1.95	1.84	1.89	1.83	1.75	1.85	1.75	1.74	1.70	1.70
	H	28	J_1	kgcm ²	2.00	1.91	1.96	1.89	1.82	1.85	1.89	1.81	1.76	1.76
				10 ⁻³ in.lb.s ²	1.77	1.69	1.73	1.67	1.61	1.64	1.67	1.60	1.56	1.56

Please use our sizing software cymex[®] for a detailed sizing – www.wittenstein-cymex.com

^{a)} At max. 10 % M_{2KMax}

^{b)} Valid for standard clamping hub diameter

^{c)} Refers to center of the output shaft or flange

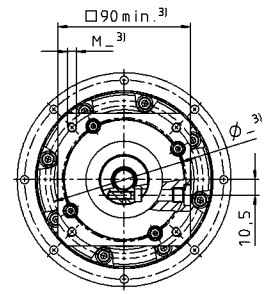
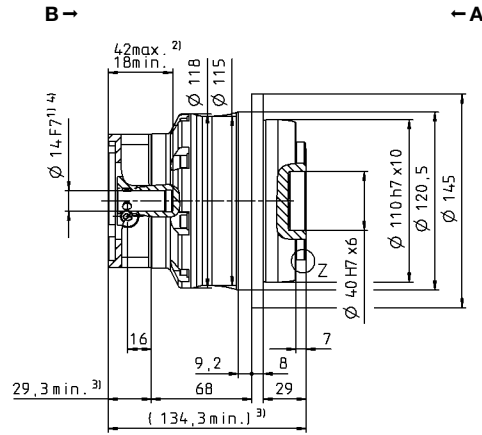
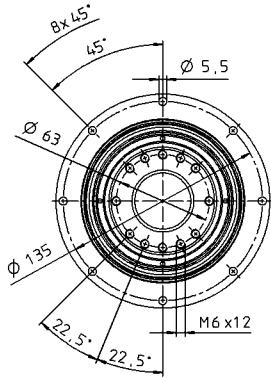
^{d)} Please reduce input speed at higher ambient temperatures

View A

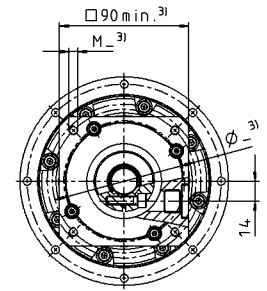
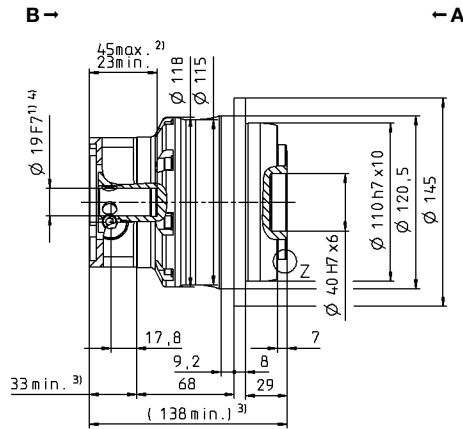
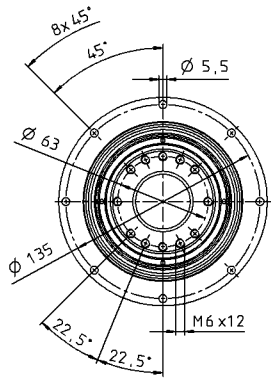
View B

2-stage

up to 14⁴⁾ (C)
clamping hub diameter

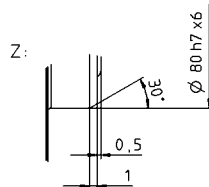
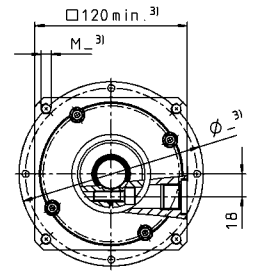
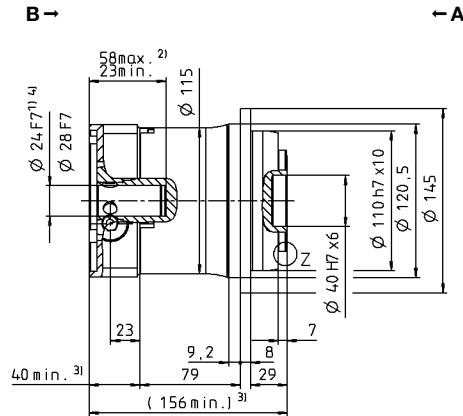
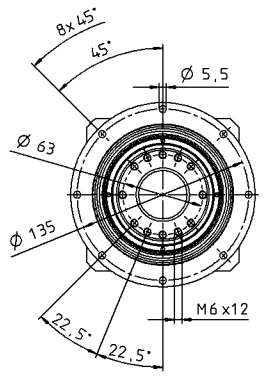


up to 19⁴⁾ (E)⁵⁾
clamping hub diameter



Motor shaft diameter [mm]

up to 24/28⁴⁾
(G/H) clamping hub diameter



Non-tolerated dimensions are nominal dimensions

¹⁾ Check motor shaft fit

²⁾ Min./Max. permissible motor shaft length. Longer motor shafts are possible, please contact alpha.

³⁾ The dimensions depend on the motor

⁴⁾ Smaller motor shaft diameter is compensated by a bushing with a minimum thickness of 1 mm

⁵⁾ Standard clamping hub diameter

DP+ 050 MF 2-stage

			2-stage											
Ratio	<i>i</i>		16	20	21	25	28	31	32	35	40	50		
Max. torque ^{a) b)}	T_{2a}	Nm	825	825	660	825	825	682	825	825	825	825		
		in.lb	7302	7302	5842	7302	7302	6036	7302	7302	7302	7302		
Max. acceleration torque ^{b)} (max. 1000 cycles per hour)	T_{2B}	Nm	825	825	660	825	825	682	825	825	825	825		
		in.lb	7302	7302	5842	7302	7302	6036	7302	7302	7302	7302		
Nominal torque (at n_n)	T_{2N}	Nm	461	493	393	489	545	431	464	541	607	585		
		in.lb	4078	4361	2476	4332	4824	3812	4104	4792	5370	5179		
Emergency stop torque ^{a) b)} (permitted 1000 times during the service life of the gearbox)	T_{2Not}	Nm	1250	1250	1250	1250	1250	1250	1250	1250	1250	1250		
		in.lb	11064	11064	11064	11064	11064	11064	11064	11064	11064	11064		
Permitted average input speed (at T_{2a} and 20 °C ambient temperature) ^{d)}	n_{1N}	rpm	2900	2900	2900	2900	2900	2900	2900	2900	2900	3200		
Max. input speed	n_{1Max}	rpm	6250	6250	6250	6250	6250	6250	6250	6250	6250	6250		
Mean no load running torque ^{b)} (at $n_i = 3000$ rpm and 20 °C gearbox temperature)	T_{012}	Nm	2.8	2.4	2.2	2.6	2.0	1.9	2.0	1.5	1.5	1.2		
		in.lb	25	22	20	23	17	17	17	14	13	11		
Max. backlash	j_t	arcmin	Standard ≤ 3 / Reduced ≤ 1											
Torsional rigidity ^{b)}	C_{t21}	Nm/arcmin	180	185	145	180	180	130	180	175	175	175		
		in.lb/arcmin	1593	1637	1283	1593	1593	1151	1593	1549	1549	1549		
Tilting rigidity	C_{2K}	Nm/arcmin	560											
		in.lb/arcmin	4956											
Max. axial force ^{c)}	F_{2AMax}	N	6130											
		lb _f	1379											
Max. tilting moment	M_{2KMax}	Nm	1379											
		in.lb	11816											
Efficiency at full load	η	%	94											
Service life	L_h	h	> 20000											
Weight (incl. standard adapter plate)	m	kg	14.1											
		lb _m	31.2											
Operating noise (at reference ratio and reference speed – ratio-specific values available in cymex [®])	L_{PA}	dB(A)	≤ 60											
		°C	+90											
Max. permitted housing temperature		F	194											
		°C	-15 to +40											
Ambient temperature		F	5 to 104											
Lubrication			Lubricated for life											
Direction of rotation			In- and output same direction											
Protection class			IP 65											
Metal bellows coupling (recommended product type – validate sizing with cymex [®])			-											
Bore diameter of coupling on the application side		mm	-											
Mass moment of inertia (relates to the drive) Clamping hub diameter [mm] Optimized mass inertia version available on request	E	19	J_1	kgcm ²	2.53	2.08	2.30	2.01	1.67	2.12	1.67	1.64	1.44	1.42
				10 ⁻³ in.lb.s ²	2.24	1.84	2.04	1.78	1.48	1.88	1.48	1.45	1.27	1.26
	G	24	J_1	kgcm ²	3.22	2.77	2.99	2.70	2.37	2.81	2.37	2.33	2.13	2.12
				10 ⁻³ in.lb.s ²	2.85	2.45	2.65	2.39	2.10	2.49	2.10	2.06	1.89	1.88
	K	38	J_1	kgcm ²	10.3	9.83	10.1	9.77	9.43	9.88	9.43	9.40	9.20	9.18
				10 ⁻³ in.lb.s ²	9.12	8.70	8.94	8.65	8.35	8.74	8.35	8.32	8.14	8.12

Please use our sizing software cymex[®] for a detailed sizing – www.wittenstein-cymex.com

^{a)} At max. 10 % M_{2KMax}

^{b)} Valid for standard clamping hub diameter

^{c)} Refers to center of the output shaft or flange

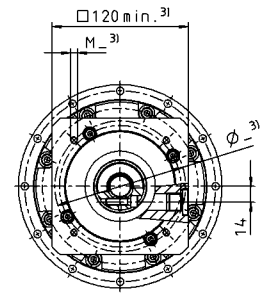
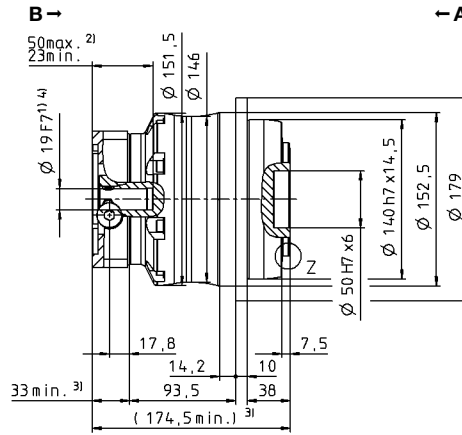
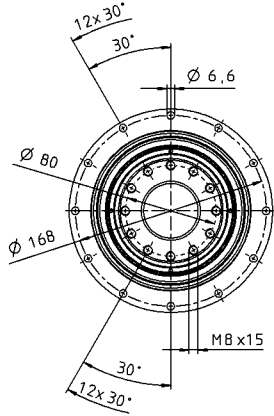
^{d)} Please reduce input speed at higher ambient temperatures

View A

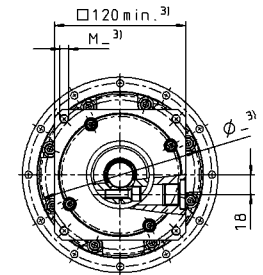
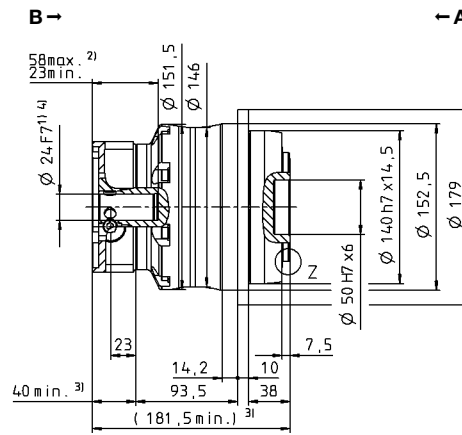
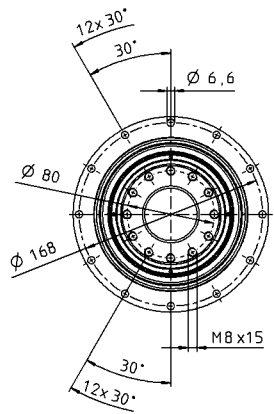
View B

2-stage

up to 19⁴⁾ (E)
clamping hub diameter

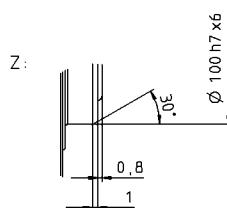
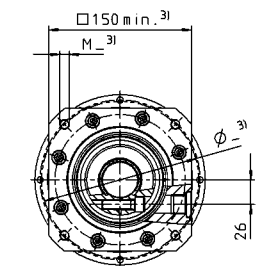
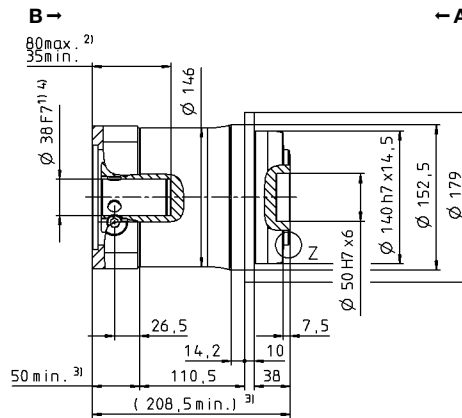
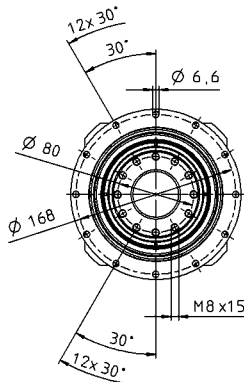


up to 24⁴⁾ (G)⁵⁾
clamping hub diameter



Motor shaft diameter [mm]

up to 38⁴⁾ (K)
clamping hub diameter



Non-tolerated dimensions are nominal dimensions

¹⁾ Check motor shaft fit

²⁾ Min./Max. permissible motor shaft length. Longer motor shafts are possible, please contact alpha.

³⁾ The dimensions depend on the motor

⁴⁾ Smaller motor shaft diameter is compensated by a bushing with a minimum thickness of 1 mm

⁵⁾ Standard clamping hub diameter

DP+ 010 MA 2-stage

			2-stage					
Ratio	<i>i</i>		22	27.5	38.5	55		
Max. torque ^{a) b)}	T_{2a}	Nm	315	315	315	315		
		in.lb	2788	2788	2788	2788		
Max. acceleration torque ^{b)} (max. 1000 cycles per hour)	T_{2B}	Nm	230	230	230	230		
		in.lb	2036	2036	2036	2036		
Nominal torque (at n_n)	T_{2N}	Nm	140	137	139	147		
		in.lb	1242	1213	1230	1303		
Emergency stop torque ^{a) b)} (permitted 1000 times during the service life of the gearbox)	T_{2Not}	Nm	525	525	525	525		
		in.lb	4647	4647	4647	4647		
Permitted average input speed (at T_{2a} and 20 °C ambient temperature) ^{d)}	n_{1N}	rpm	4000	4000	4000	4000		
Max. input speed	n_{1Max}	rpm	7500	7500	7500	7500		
Mean no load running torque ^{b)} (at $n_1 = 3000$ rpm and 20 °C gearbox temperature)	T_{012}	Nm	0.52	0.47	0.41	0.38		
		in.lb	4.6	4.2	4.0	3.4		
Max. backlash	j_t	arcmin	≤ 1					
Torsional rigidity ^{b)}	C_{t21}	Nm/arcmin	43	43	43	42		
		in.lb/arcmin	381	381	381	372		
Tilting rigidity	C_{2K}	Nm/arcmin	225					
		in.lb/arcmin	1991					
Max. axial force ^{c)}	F_{2AMax}	N	2795					
		lb _f	629					
Max. tilting moment	M_{2KMax}	Nm	400					
		in.lb	3540					
Efficiency at full load	η	%	94					
Service life	L_h	h	> 20000					
Weight (incl. standard adapter plate)	m	kg	3.2					
		lb _m	7.1					
Operating noise (at reference ratio and reference speed – ratio-specific values available in cymex [®])	L_{PA}	dB(A)	≤ 56					
Max. permitted housing temperature		°C	+90					
		F	194					
Ambient temperature		°C	-15 to +40					
		F	5 to 104					
Lubrication			Lubricated for life					
Direction of rotation			In- and output same direction					
Protection class			IP 65					
Metal bellows coupling (recommended product type – validate sizing with cymex [®])			-					
Bore diameter of coupling on the application side		mm	-					
Mass moment of inertia (relates to the drive) Clamping hub diameter [mm] Optimized mass inertia version available on request	C	14	J_1	kgcm ²	0.21	0.18	0.16	0.14
				10 ⁻³ in.lb.s ²	0.19	0.16	0.14	0.12
	E	19	J_1	kgcm ²	0.52	0.50	0.47	0.46
				10 ⁻³ in.lb.s ²	0.46	0.44	0.42	0.41

Please use our sizing software cymex[®] for a detailed sizing – www.wittenstein-cymex.com

^{a)} At max. 10 % M_{2KMax}

^{b)} Valid for standard clamping hub diameter

^{c)} Refers to center of the output shaft or flange

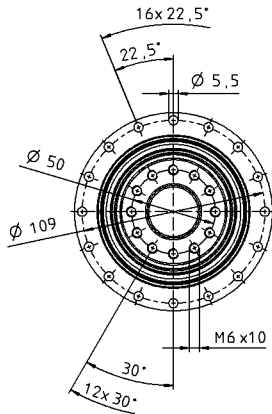
^{d)} Please reduce input speed at higher ambient temperatures

View A

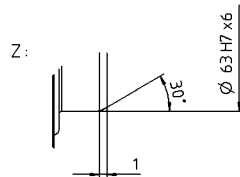
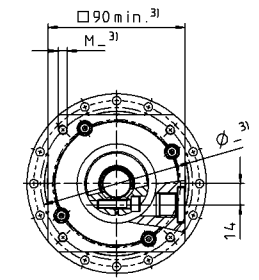
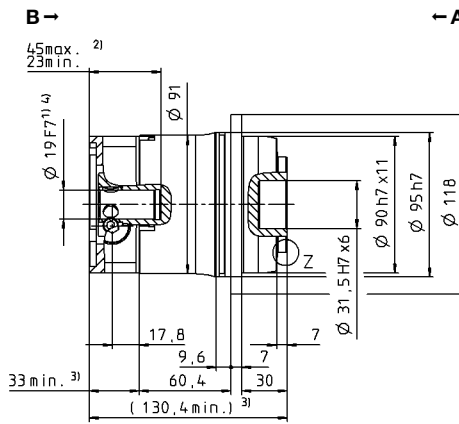
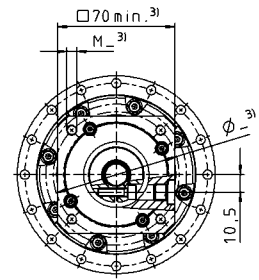
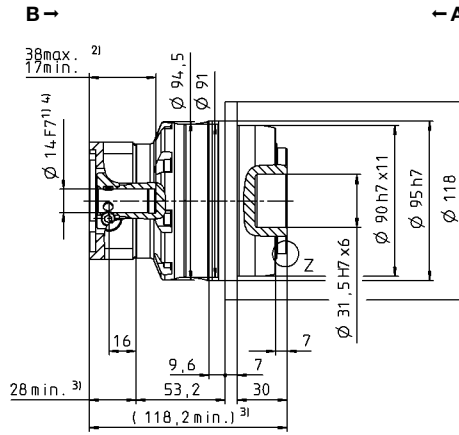
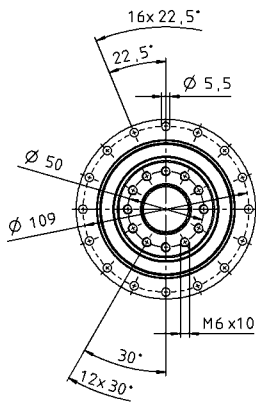
View B

2-stage

up to 14⁴⁾ (C)⁵⁾
clamping hub
diameter



up to 19⁴⁾ (E)
clamping hub
diameter



Non-tolerated dimensions are nominal dimensions

¹⁾ Check motor shaft fit

²⁾ Min./Max. permissible motor shaft length. Longer motor shafts are possible, please contact alpha.

³⁾ The dimensions depend on the motor

⁴⁾ Smaller motor shaft diameter is compensated by a bushing with a minimum thickness of 1 mm

⁵⁾ Standard clamping hub diameter

DP+ 025 MA 2-stage

			2-stage					
Ratio	<i>i</i>		22	27.5	38.5	55		
Max. torque ^{a) b)}	T_{2a}	Nm	583	583	583	583		
		in.lb	5160	5160	5160	5160		
Max. acceleration torque ^{b)} (max. 1000 cycles per hour)	T_{2B}	Nm	530	530	530	530		
		in.lb	4691	4691	4691	4691		
Nominal torque (at n_n)	T_{2N}	Nm	312	314	371	413		
		in.lb	2762	2775	3286	3652		
Emergency stop torque ^{a) b)} (permitted 1000 times during the service life of the gearbox)	T_{2Not}	Nm	1200	1200	1200	1200		
		in.lb	10621	10621	10621	10621		
Permitted average input speed (at T_{2a} and 20 °C ambient temperature) ^{d)}	n_{1N}	rpm	3500	3500	3500	3500		
Max. input speed	n_{1Max}	rpm	7500	7500	7500	7500		
Mean no load running torque ^{b)} (at $n_1 = 3000$ rpm and 20 °C gearbox temperature)	T_{012}	Nm	1.0	0.87	0.78	0.70		
		in.lb	9.2	7.7	6.9	6.2		
Max. backlash	j_t	arcmin	≤ 1					
Torsional rigidity ^{b)}	C_{t21}	Nm/arcmin	105	105	105	100		
		in.lb/arcmin	929	929	929	885		
Tilting rigidity	C_{2K}	Nm/arcmin	550					
		in.lb/arcmin	4868					
Max. axial force ^{c)}	F_{2AMax}	N	4800					
		lb _f	1080					
Max. tilting moment	M_{2KMax}	Nm	550					
		in.lb	4868					
Efficiency at full load	η	%	94					
Service life	L_h	h	> 20000					
Weight (incl. standard adapter plate)	m	kg	5.6					
		lb _m	12.4					
Operating noise (at reference ratio and reference speed – ratio-specific values available in cymex [®])	L_{PA}	dB(A)	≤ 58					
Max. permitted housing temperature		°C	+90					
		F	194					
Ambient temperature		°C	-15 to +40					
		F	5 to 104					
Lubrication			Lubricated for life					
Direction of rotation			In- and output same direction					
Protection class			IP 65					
Metal bellows coupling (recommended product type – validate sizing with cymex [®])			-					
Bore diameter of coupling on the application side		mm	-					
Mass moment of inertia (relates to the drive) Clamping hub diameter [mm] Optimized mass inertia version available on request	E	19	J_1	kgcm ²	0.87	0.70	0.60	0.55
				10 ⁻³ in.lb.s ²	0.77	0.62	0.53	0.49
	G	24	J_1	kgcm ²	2.39	2.22	2.12	2.07
				10 ⁻³ in.lb.s ²	2.12	1.96	1.88	1.83

Please use our sizing software cymex[®] for a detailed sizing – www.wittenstein-cymex.com

^{a)} At max. 10 % M_{2KMax}

^{b)} Valid for standard clamping hub diameter

^{c)} Refers to center of the output shaft or flange

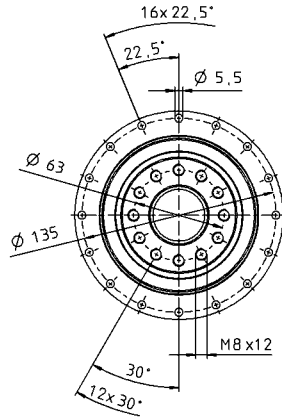
^{d)} Please reduce input speed at higher ambient temperatures

View A

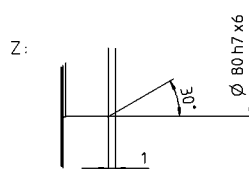
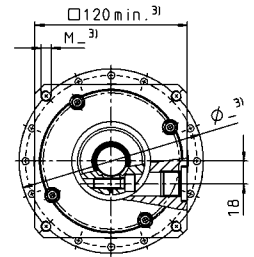
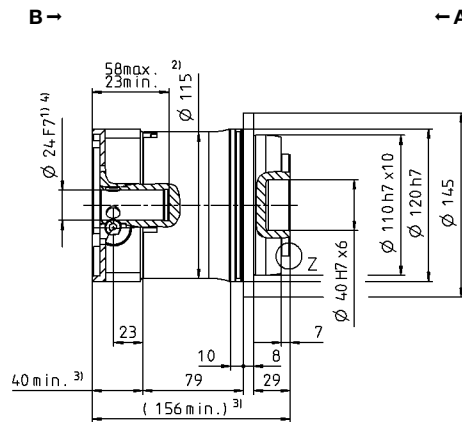
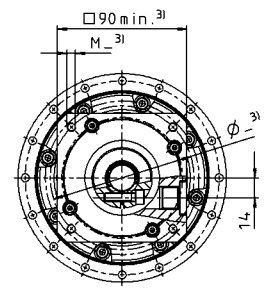
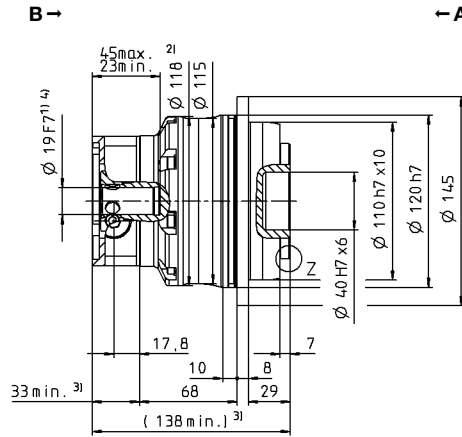
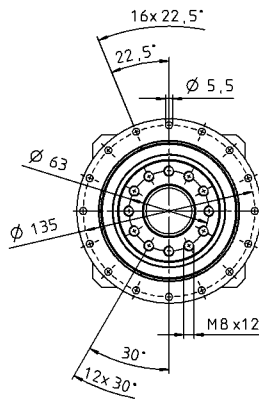
View B

2-stage

up to 19⁴⁾ (E)⁵⁾
clamping hub
diameter



up to 24⁴⁾ (G)
clamping hub
diameter



Non-tolerated dimensions are nominal dimensions

¹⁾ Check motor shaft fit

²⁾ Min./Max. permissible motor shaft length. Longer motor shafts are possible, please contact alpha.

³⁾ The dimensions depend on the motor

⁴⁾ Smaller motor shaft diameter is compensated by a bushing with a minimum thickness of 1 mm

⁵⁾ Standard clamping hub diameter

DP+ 050 MA 2-stage

			2-stage					
Ratio	<i>i</i>		22	27.5	38.5	55		
Max. torque ^{a) b)}	T_{2a}	Nm	1402	1402	1402	1402		
		in.lb	12406	12406	12406	12406		
Max. acceleration torque ^{b)} (max. 1000 cycles per hour)	T_{2B}	Nm	992	992	992	992		
		in.lb	8780	8780	8780	8780		
Nominal torque (at n_n)	T_{2N}	Nm	523	566	638	717		
		in.lb	4632	5005	5649	6348		
Emergency stop torque ^{a) b)} (permitted 1000 times during the service life of the gearbox)	T_{2Not}	Nm	2375	2375	2375	2375		
		in.lb	21021	21021	21021	21021		
Permitted average input speed (at T_{2a} and 20 °C ambient temperature) ^{d)}	n_{1N}	rpm	3000	3000	3000	3000		
Max. input speed	n_{1Max}	rpm	6250	6250	6250	6250		
Mean no load running torque ^{b)} (at $n_1 = 3000$ rpm and 20 °C gearbox temperature)	T_{012}	Nm	2.7	2.4	2.1	1.7		
		in.lb	23.9	21.2	18.9	15.0		
Max. backlash	j_t	arcmin	≤ 1					
Torsional rigidity ^{b)}	C_{t21}	Nm/arcmin	220	220	220	220		
		in.lb/arcmin	1947	1947	1947	1947		
Tilting rigidity	C_{2K}	Nm/arcmin	560					
		in.lb/arcmin	4956					
Max. axial force ^{c)}	F_{2AMax}	N	6130					
		lb _f	1379					
Max. tilting moment	M_{2KMax}	Nm	1335					
		in.lb	11816					
Efficiency at full load	η	%	94					
Service life	L_h	h	> 20000					
Weight (incl. standard adapter plate)	m	kg	12.5					
		lb _m	27.6					
Operating noise (at reference ratio and reference speed – ratio-specific values available in cymex [®])	L_{PA}	dB(A)	≤ 60					
Max. permitted housing temperature		°C	+90					
		F	194					
Ambient temperature		°C	-15 to +40					
		F	5 to 104					
Lubrication			Lubricated for life					
Direction of rotation			In- and output same direction					
Protection class			IP 65					
Metal bellows coupling (recommended product type – validate sizing with cymex [®])			-					
Bore diameter of coupling on the application side		mm	-					
Mass moment of inertia (relates to the drive) Clamping hub diameter [mm] Optimized mass inertia version available on request	G	24	J_1	kgcm ²	3.80	3.33	3.00	2.80
				10 ⁻³ in.lb.s ²	3.36	2.95	2.66	2.48
	K	38	J_1	kgcm ²	10.7	10.3	9.90	9.70
				10 ⁻³ in.lb.s ²	9.47	9.12	8.76	8.58

Please use our sizing software cymex[®] for a detailed sizing – www.wittenstein-cymex.com

^{a)} At max. 10 % M_{2KMax}

^{b)} Valid for standard clamping hub diameter

^{c)} Refers to center of the output shaft or flange

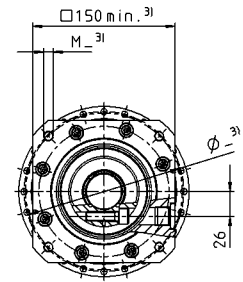
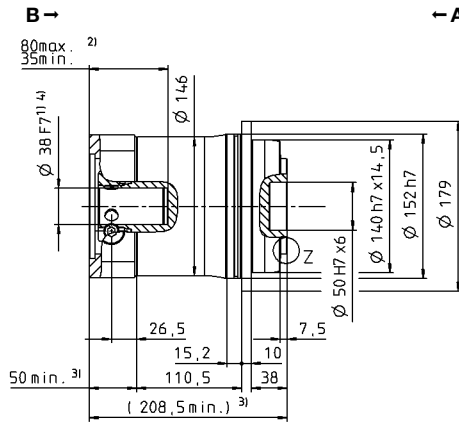
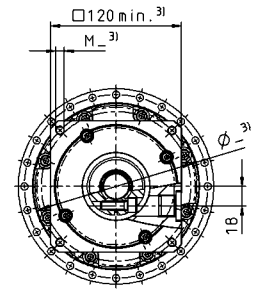
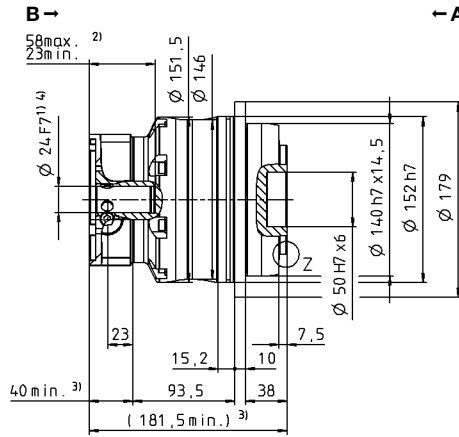
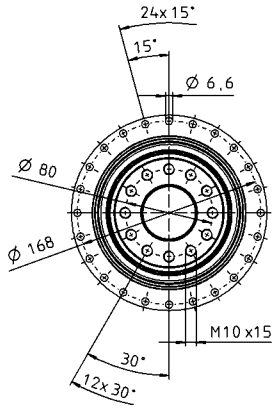
^{d)} Please reduce input speed at higher ambient temperatures

View A

View B

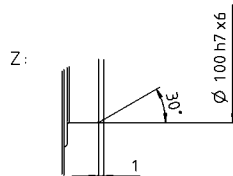
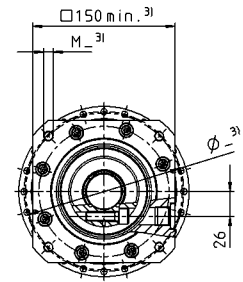
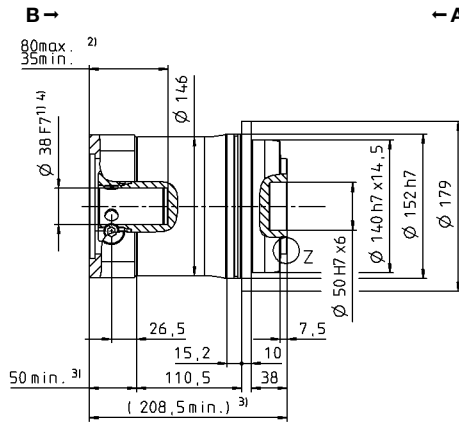
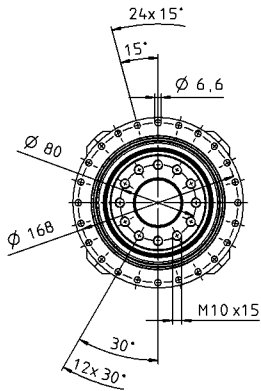
2-stage

up to 24⁴⁾ (G)⁵⁾
clamping hub
diameter



Motor shaft diameter [mm]

up to 38⁴⁾ (K)
clamping hub
diameter



Non-tolerated dimensions are nominal dimensions

¹⁾ Check motor shaft fit

²⁾ Min./Max. permissible motor shaft length. Longer motor shafts are possible, please contact alpha.

³⁾ The dimensions depend on the motor

⁴⁾ Smaller motor shaft diameter is compensated by a bushing with a minimum thickness of 1 mm

⁵⁾ Standard clamping hub diameter

HDP+ – Cleanliness guaranteed



HDP+

Product highlights

Positioning accuracy: Minimal backlash and extreme torsional rigidity ensure maximum positioning accuracy

New freedom in design through direct process integration

Resistance: Resistant against chemical cleaning agents and disinfectants

Cleaning: Fast, efficient and safe cleaning, also suitable for CIP processes

Consistently high performance: Constant backlash throughout the service life of the gearbox ensures a consistently high performance

Max. achievable leak tightness: IP69X (max. 30 bar)

Sterile, highly dynamic and outstanding positioning accuracy – the HDP+ meets the strict hygiene requirements of production and packaging facilities. The gearbox in hygienic design not only offers you maximum safety against contamination-related product and process risks, but also guarantees maximum system availability and productivity.

HDP+ is setting new industrial standards in hygienic design

Benefits for system manufacturers

- Integration in a system constructed according to Hygiene Design requirements (certification available)
- Meets legal obligations (machinery directive, food hygiene regulation)
- Reduction of individual parts simplifies production / assembly and allows a more compact machine design
- Greater overall system effectiveness
- Competitive advantage through innovation

Benefits for operators

- Easier, faster cleaning: shorter CIP / SIP times
- Improved reliability and longer life
- Quick and easy disassembly
- Reduced consumption of cleaning materials
- Minimal costs for maintenance and repair
- Cost savings: competitive advantage and lower end user price
- Increased food safety



Used for fish processing



Used for filling and packing milk products

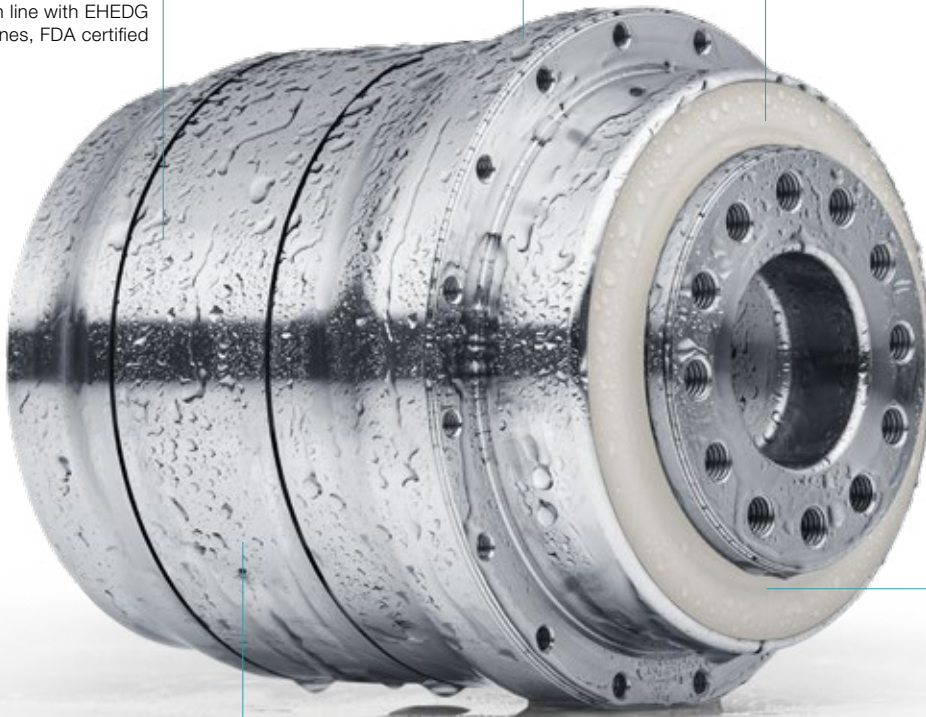


More information on hygienic design solutions: Simply scan the QR code with your smartphone.

Smooth rolled surface in hygienic steel 1.4404

Triple sealing concept guarantees optimal reliability

Designed in line with EHEDG guidelines, FDA certified



Seals resistant to cleaning materials have IP69X protection (max. 30 bar)

No dead spaces

Application-spec. solutions



Used for portioning meat products



The high-precision HDP* is ideal for Delta robotics applications

HDP+ 010 MA 2-stage

			2-stage					
Ratio	<i>i</i>		22	27.5	38.5	55		
Max. torque ^{a) b)}	T_{2a}	Nm	252	252	252	252		
		in.lb	2230	2230	2230	2230		
Max. acceleration torque ^{b)} (max. 1000 cycles per hour)	T_{2B}	Nm	185	185	185	185		
		in.lb	1637	1637	1637	1637		
Nominal torque (at n_n)	T_{2N}	Nm	140	137	139	147		
		in.lb	1242	1213	1230	1303		
Emergency stop torque ^{a) b)} (permitted 1000 times during the service life of the gearbox)	T_{2Not}	Nm	525	525	525	525		
		in.lb	4647	4647	4647	4647		
Permitted average input speed (at T_{2a} and 20 °C ambient temperature) ^{d)}	n_{1N}	rpm	4000	4000	4000	4000		
Max. input speed	n_{1Max}	rpm	7500	7500	7500	7500		
Mean no load running torque ^{b)} (at $n_1 = 3000$ rpm and 20 °C gearbox temperature)	T_{012}	Nm	0.52	0.47	0.38	0.38		
		in.lb	4.6	4.2	3.4	3.4		
Max. backlash	j_t	arcmin	≤ 1					
Torsional rigidity ^{b)}	C_{t21}	Nm/arcmin	43	43	43	42		
		in.lb/arcmin	381	381	381	372		
Tilting rigidity	C_{2K}	Nm/arcmin	225					
		in.lb/arcmin	1991					
Max. axial force ^{c)}	F_{2AMax}	N	2795					
		lb _f	629					
Max. tilting moment	M_{2KMax}	Nm	400					
		in.lb	3540					
Efficiency at full load	η	%	94					
Service life	L_h	h	> 20000					
Weight (incl. standard adapter plate)	m	kg	7.3					
		lb _m	16.1					
Operating noise (at reference ratio and reference speed – ratio-specific values available in cymex [®])	L_{PA}	dB(A)	≤ 56					
Max. permitted housing temperature		°C	+90					
		F	194					
Ambient temperature		°C	-15 to +40					
		F	5 to 104					
Lubrication			Lubricated for life					
Direction of rotation			In- and output same direction					
Protection class			IP 69X					
Metal bellows coupling (recommended product type – validate sizing with cymex [®])			-					
Bore diameter of coupling on the application side		mm	-					
Mass moment of inertia (relates to the drive) Clamping hub diameter [mm] Optimized mass inertia version available on request	C	14	J_1	kgcm ²	0.21	0.18	0.16	0.14
				10 ⁻³ in.lb.s ²	0.19	0.16	0.14	0.12
	E	19	J_1	kgcm ²	0.52	0.50	0.47	0.46
				10 ⁻³ in.lb.s ²	0.46	0.44	0.42	0.41

Please use our sizing software cymex[®] for a detailed sizing – www.wittenstein-cymex.com

^{a)} At max. 10 % M_{2KMax}

^{b)} Valid for standard clamping hub diameter

^{c)} Refers to center of the output shaft or flange

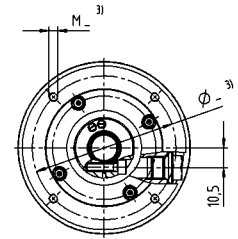
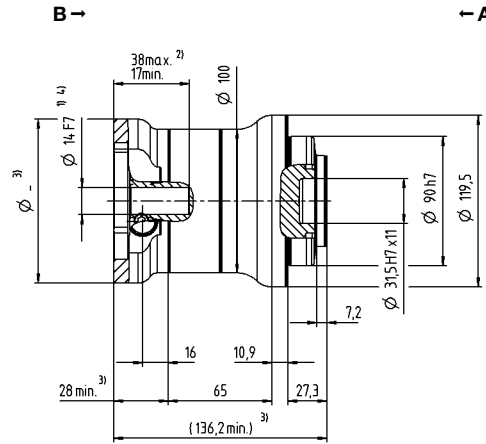
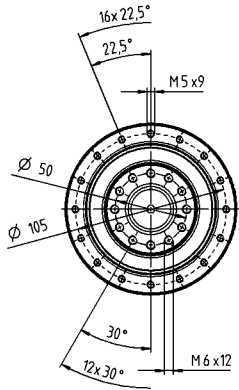
^{d)} Please reduce input speed at higher ambient temperatures

View A

View B

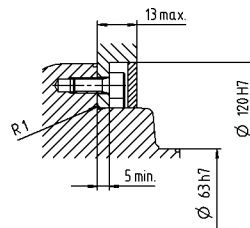
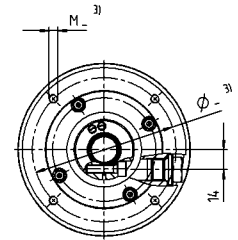
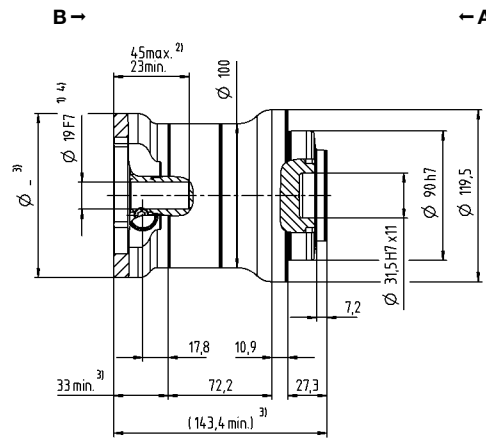
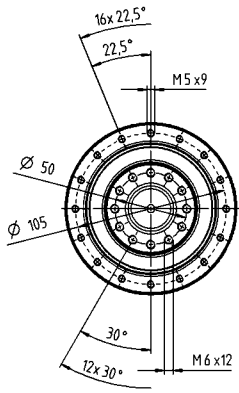
2-stage

up to 14⁴⁾ (C)⁵⁾
clamping hub
diameter



Motor shaft diameter [mm]

up to 19⁴⁾ (E)
clamping hub
diameter



Mounting accessories:
Mounting kit comprising seals and
O-rings available as an option.

Non-tolerated dimensions are nominal dimensions

¹⁾ Check motor shaft fit

²⁾ Min./Max. permissible motor shaft length. Longer motor shafts are possible, please contact alpha.

³⁾ The dimensions depend on the motor

⁴⁾ Smaller motor shaft diameter is compensated by a bushing with a minimum thickness of 1 mm

⁵⁾ Standard clamping hub diameter

HDP+ 025 MA 2-stage

			2-stage					
Ratio	i		22	27.5	38.5	55		
Max. torque ^{a) b)}	T_{2a}	Nm	466	466	466	466		
		in.lb	4128	4128	4128	4128		
Max. acceleration torque ^{b)} (max. 1000 cycles per hour)	T_{2B}	Nm	425	425	425	425		
		in.lb	3762	3762	3762	3762		
Nominal torque (at n_n)	T_{2N}	Nm	312	314	371	413		
		in.lb	2762	2775	3286	3652		
Emergency stop torque ^{a) b)} (permitted 1000 times during the service life of the gearbox)	T_{2Not}	Nm	1200	1200	1200	1200		
		in.lb	10621	10621	10621	10621		
Permitted average input speed (at T_{2a} and 20 °C ambient temperature) ^{d)}	n_{1N}	rpm	3500	3500	3500	3500		
Max. input speed	n_{1Max}	rpm	7500	7500	7500	7500		
Mean no load running torque ^{b)} (at $n_1 = 3000$ rpm and 20 °C gearbox temperature)	T_{012}	Nm	1.0	0.87	0.78	0.70		
		in.lb	9.2	7.7	6.9	6.2		
Max. backlash	j_t	arcmin	≤ 1					
Torsional rigidity ^{b)}	C_{t21}	Nm/arcmin	100	100	100	100		
		in.lb/arcmin	885	885	885	885		
Tilting rigidity	C_{2K}	Nm/arcmin	550					
		in.lb/arcmin	4868					
Max. axial force ^{c)}	F_{2AMax}	N	4800					
		lb _f	1080					
Max. tilting moment	M_{2KMax}	Nm	550					
		in.lb	4868					
Efficiency at full load	η	%	94					
Service life	L_h	h	> 20000					
Weight (incl. standard adapter plate)	m	kg	11.1					
		lb _m	24.5					
Operating noise (at reference ratio and reference speed – ratio-specific values available in cymex [®])	L_{PA}	dB(A)	≤ 58					
Max. permitted housing temperature		°C	+90					
		F	194					
Ambient temperature		°C	-15 to +40					
		F	5 to 104					
Lubrication			Lubricated for life					
Direction of rotation			In- and output same direction					
Protection class			IP 69X					
Metal bellows coupling (recommended product type – validate sizing with cymex [®])			-					
Bore diameter of coupling on the application side		mm	-					
Mass moment of inertia (relates to the drive) Clamping hub diameter [mm] Optimized mass inertia version available on request	E	19	J_1	kgcm ²	0.87	0.70	0.60	0.55
				10 ⁻³ in.lb.s ²	0.77	0.62	0.53	0.49
	G	24	J_1	kgcm ²	2.39	2.22	2.12	2.07
				10 ⁻³ in.lb.s ²	2.12	1.96	1.88	1.83

Please use our sizing software cymex[®] for a detailed sizing – www.wittenstein-cymex.com

^{a)} At max. 10 % M_{2KMax}

^{b)} Valid for standard clamping hub diameter

^{c)} Refers to center of the output shaft or flange

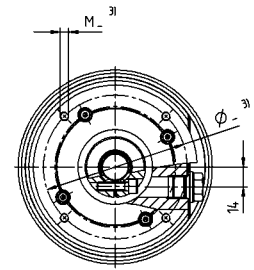
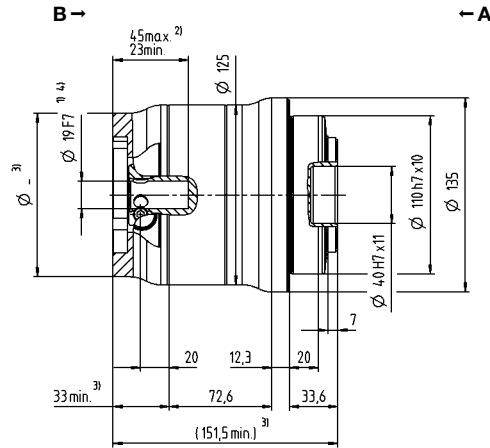
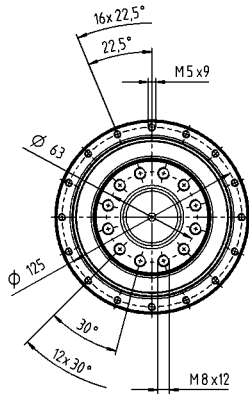
^{d)} Please reduce input speed at higher ambient temperatures

View A

View B

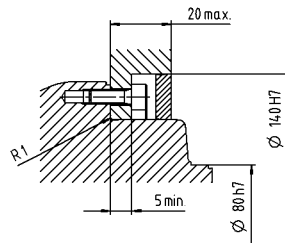
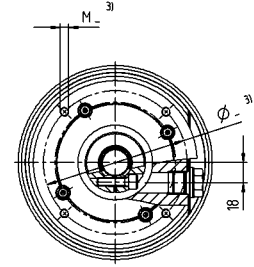
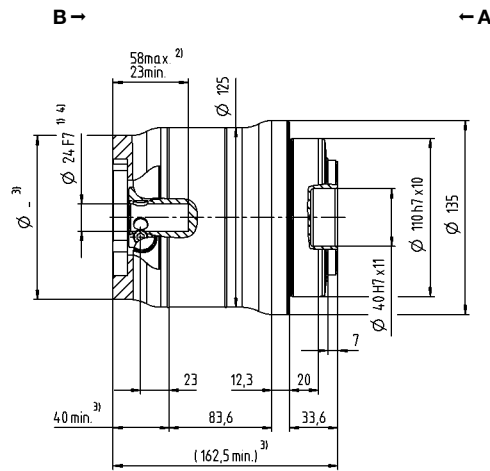
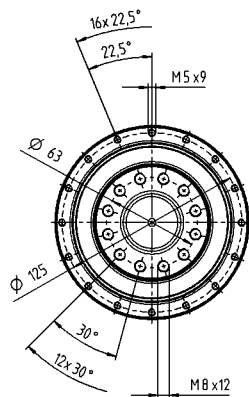
2-stage

up to 19⁴⁾ (E)⁵⁾
clamping hub diameter



Motor shaft diameter [mm]

up to 24⁴⁾ (G)
clamping hub diameter



Mounting accessories:
Mounting kit comprising seals and
O-rings available as an option.

Non-tolerated dimensions are nominal dimensions

¹⁾ Check motor shaft fit

²⁾ Min./Max. permissible motor shaft length. Longer motor shafts are possible, please contact alpha.

³⁾ The dimensions depend on the motor

⁴⁾ Smaller motor shaft diameter is compensated by a bushing with a minimum thickness of 1 mm

⁵⁾ Standard clamping hub diameter

HDP+ 050 MA 2-stage

			2-stage					
Ratio	<i>i</i>		22	27.5	38.5	55		
Max. torque ^{a) b)}	T_{2a}	Nm	1121	1121	1121	1121		
		in.lb	9925	9925	9925	9925		
Max. acceleration torque ^{b)} (max. 1000 cycles per hour)	T_{2B}	Nm	795	795	795	795		
		in.lb	7036	7036	7036	7036		
Nominal torque (at n_n)	T_{2N}	Nm	523	566	638	717		
		in.lb	4632	5005	5649	6348		
Emergency stop torque ^{a) b)} (permitted 1000 times during the service life of the gearbox)	T_{2Not}	Nm	2375	2375	2375	2375		
		in.lb	21021	21021	21021	21021		
Permitted average input speed (at T_{2a} and 20 °C ambient temperature) ^{d)}	n_{1N}	rpm	3000	3000	3000	3000		
Max. input speed	n_{1Max}	rpm	6250	6250	6250	6250		
Mean no load running torque ^{b)} (at $n_1 = 3000$ rpm and 20 °C gearbox temperature)	T_{012}	Nm	2.7	2.4	2.1	1.7		
		in.lb	23.9	21.2	18.9	15.0		
Max. backlash	j_t	arcmin	≤ 1					
Torsional rigidity ^{b)}	C_{t21}	Nm/arcmin	210	210	210	210		
		in.lb/arcmin	1859	1859	1859	1859		
Tilting rigidity	C_{2K}	Nm/arcmin	560					
		in.lb/arcmin	4956					
Max. axial force ^{c)}	F_{2AMax}	N	6130					
		lb _f	1379					
Max. tilting moment	M_{2KMax}	Nm	1335					
		in.lb	11816					
Efficiency at full load	η	%	94					
Service life	L_h	h	> 20000					
Weight (incl. standard adapter plate)	m	kg	21.9					
		lb _m	48.4					
Operating noise (at reference ratio and reference speed – ratio-specific values available in cymex [®])	L_{PA}	dB(A)	≤ 60					
			+90					
Max. permitted housing temperature		°C	+90					
		F	194					
Ambient temperature		°C	-15 to +40					
		F	5 to 104					
Lubrication			Lubricated for life					
Direction of rotation			In- and output same direction					
Protection class			IP 69X					
Metal bellows coupling (recommended product type – validate sizing with cymex [®])			-					
Bore diameter of coupling on the application side		mm	-					
Mass moment of inertia (relates to the drive) Clamping hub diameter [mm] Optimized mass inertia version available on request	G	24	J_1	kgcm ²	3.80	3.33	3.00	2.80
				10 ⁻³ in.lb.s ²	3.36	2.95	2.66	2.48
	K	38	J_1	kgcm ²	10.7	10.3	9.90	9.70
				10 ⁻³ in.lb.s ²	9.47	9.12	8.76	8.58

Please use our sizing software cymex[®] for a detailed sizing – www.wittenstein-cymex.com

^{a)} At max. 10 % M_{2KMax}

^{b)} Valid for standard clamping hub diameter

^{c)} Refers to center of the output shaft or flange

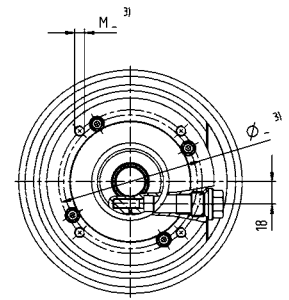
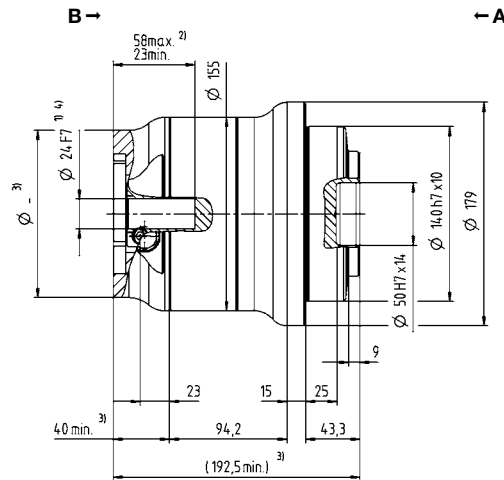
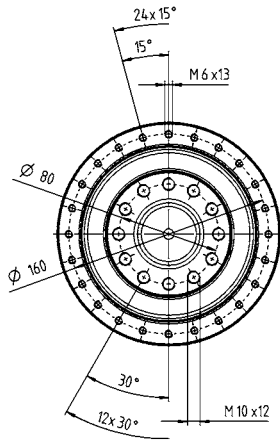
^{d)} Please reduce input speed at higher ambient temperatures

View A

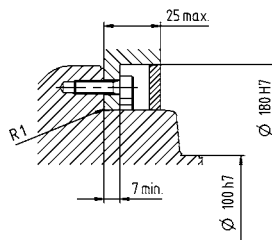
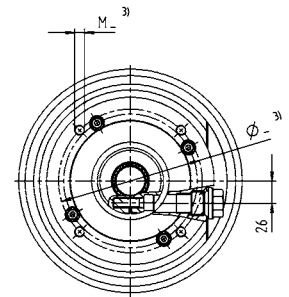
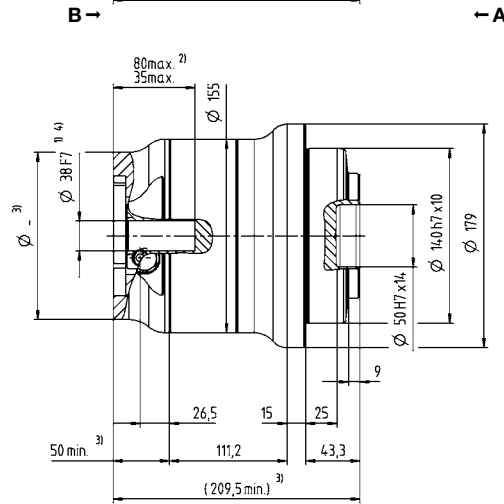
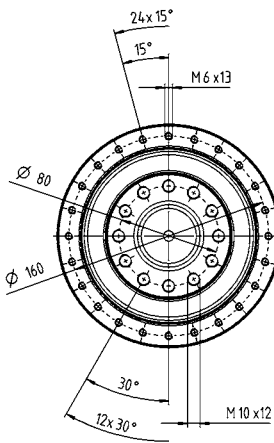
View B

2-stage

up to 24⁴⁾ (G)⁵⁾
clamping hub
diameter



up to 38⁴⁾ (K)
clamping hub
diameter



Mounting accessories:
Mounting kit comprising seals and
O-rings available as an option.

Non-tolerated dimensions are nominal dimensions

¹⁾ Check motor shaft fit

²⁾ Min./Max. permissible motor shaft length. Longer motor shafts are possible, please contact alpha.

³⁾ The dimensions depend on the motor

⁴⁾ Smaller motor shaft diameter is compensated by a bushing with a minimum thickness of 1 mm

⁵⁾ Standard clamping hub diameter

Motor shaft diameter [mm]

Basic Line gearbox overview



Product type		CP	CPS	CPK	CPSK	CVH	CVS
Version		MF	MF	MF	MF	MF / MT	MF / MT
Ratio ^{c)}	min. $i =$	3	3	3	3	7	7
	max. $i =$	100	100	100	100	40	40
Max. torsional backlash [arcmin] ^{c)}	Standard	≤ 12	≤ 12	≤ 13	≤ 15	≤ 15	≤ 15
	Reduced	–	–	–	–	–	–
Output shape							
Smooth shaft		x	x	x	x	–	x
Shaft with key ^{d)}		x	x	x	x	–	x
Splined shaft (DIN 5480)		–	–	–	–	–	–
Blind hollow shaft		–	–	–	–	–	–
Hollow shaft interface		–	–	–	–	x	–
Keyed hollow shaft		–	–	–	–	x	–
Flanged hollow shaft		–	–	–	–	–	–
Flange		–	–	–	–	–	–
System output		–	–	–	–	–	–
Output on both sides		–	–	–	–	x	x
Input type							
Motor-mounted		x	x	x	x	x	x
Self-contained version ^{b)}		–	–	–	–	–	–
Characteristic							
Flange with slotted holes		–	–	–	–	–	–
ATEX ^{a)}		–	–	–	–	–	–
Food-grade lubrication ^{a) b)}		x	x	x	x	x	x
Corrosion resistant ^{a) b)}		–	–	–	–	–	–
Optimized mass inertia ^{a)}		–	–	–	–	–	–
System solutions							
Linear system (rack / pinion)		–	–	–	–	–	–
Servo actuator		–	–	–	–	–	–
Accessories (please refer to the product pages for further options)							
Coupling		x	x	x	x	–	x
Shrink disc		–	–	–	–	x	–

^{a)} Power reduction: technical data available on request

^{b)} Please contact WITTENSTEIN alpha

^{c)} In relation to reference sizes

^{d)} Power reduction: Please use our sizing software cymex[®] for a detailed sizing – www.wittenstein-cymex.com

Value Line gearbox overview



Product type		NP	NPL	NPS	NPT	NPR	NPK	NPLK	NPSK	NPTK	NPRK	NVH	NVS	HDV
Version		MF / MA	MF / MA	MF / MA	MF / MA	MF / MA	MF	MF	MF	MF	MF	MF	MF	MF / MT
Ratio [Ⓐ]	min. $i =$	3	3	3	3	3	3	3	3	3	3	4	4	4
	max. $i =$	100	100	100	100	100	100	100	100	100	100	400	400	100
Max. torsional backlash [arcmin] [Ⓒ]	Standard	≤ 8	≤ 8	≤ 8	≤ 8	≤ 8	≤ 11	≤ 11	≤ 11	≤ 11	≤ 11	≤ 6	≤ 6	≤ 10
	Reduced	-	-	-	-	-	-	-	-	-	-	-	-	-
Output type														
Smooth shaft		x	x	x	-	x	x	x	x	-	x	-	x	x
Shaft with key [Ⓓ]		x	x	x	-	x	x	x	x	-	x	-	x	x
Splined shaft (DIN 5480)		-	x	x	-	x	-	x	x	-	x	-	-	-
Blind hollow shaft		-	-	-	-	-	-	-	-	-	-	-	-	-
Hollow shaft interface		-	-	-	-	-	-	-	-	-	-	x	-	-
Keyed hollow shaft		-	-	-	-	-	-	-	-	-	-	x	-	-
Flanged hollow shaft		-	-	-	-	-	-	-	-	-	-	-	-	-
Flange		-	-	-	x	-	-	-	-	x	-	-	-	-
System output		-	-	-	-	-	-	-	-	-	-	-	-	-
Output on both sides		-	-	-	-	-	-	-	-	-	-	x	x	-
Input type														
Motor-mounted		x	x	x	x	x	x	x	x	x	x	x	x	x
Self-contained version [Ⓑ]		-	-	-	-	-	-	-	-	-	-	-	-	-
Characteristic														
Flange with slotted holes		-	-	-	-	x	-	-	-	-	x	-	-	-
ATEX [Ⓐ]		-	-	-	-	-	-	-	-	-	-	-	-	-
Food-grade lubrication [Ⓐ] [Ⓑ]		x	x	x	x	x	x	x	x	x	x	x	x	x
Corrosion resistant [Ⓐ] [Ⓑ]		-	-	-	-	-	-	-	-	-	-	x	x	x
Optimized mass inertia [Ⓐ]		-	-	-	-	-	-	-	-	-	-	-	-	-
System solutions														
Linear system (rack / pinion)		x	x	x	-	x	x	x	x	-	x	-	x	-
Servo actuator		-	-	-	-	-	-	-	-	-	-	-	-	x
Accessories (please refer to the product pages for further options)														
Coupling		x	x	x	x	x	x	x	x	-	x	-	x	-
Shrink disc		-	-	-	-	-	-	-	-	-	-	x	-	-

[Ⓐ] Power reduction: technical data available on request

[Ⓑ] Please contact WITTENSTEIN alpha

[Ⓒ] In relation to reference sizes

[Ⓓ] Power reduction: Please use our sizing software cymex® for a detailed sizing – www.wittenstein-cymex.com

Advanced Line gearbox overview



Product type		SP+	SP+ HIGH SPEED	SP+ HIGH SPEED friction optimized	TP+	TP+ HIGH TORQUE	HG+	SK+	SPK+
Version		MF	MC	MC-L	MF	MA	MF	MF	MF
Catalog page		26	26	26	80	80	128	140	150
Ratio ^{c)}	min. i =	3	3	3	4	22	3	3	12
	max. i =	100	100	10	100	302.5	100	100	10000
Max. torsional backlash [arcmin] ^{c)}	Standard	≤ 3	≤ 4	≤ 4	≤ 3	≤ 1	≤ 4	≤ 4	≤ 4
	Reduced	≤ 1	≤ 2	≤ 2	≤ 1	–	–	–	≤ 2
Output shape									
Smooth shaft		x	x	x	–	–	–	x	x
Shaft with key ^{d)}		x	x	x	–	–	–	x	x
Splined shaft (DIN 5480)		x	x	x	–	–	–	x	x
Blind hollow shaft		x	x	x	–	–	–	–	x
Hollow shaft interface		–	–	–	–	–	x	–	–
Keyed hollow shaft		–	–	–	–	–	–	–	–
Flanged hollow shaft		–	–	–	–	–	–	–	–
Flange		–	–	–	x	x	–	–	–
System output		–	–	–	x	x	–	–	–
Output on both sides		–	–	–	–	–	x	x	x
Input type									
Motor-mounted		x	x	x	x	x	x	x	x
Self-contained version ^{b)}		x	–	–	x	–	–	–	–
Characteristic									
Flange with slotted holes		x	–	–	–	–	–	–	–
ATEX ^{a)}		x	x	–	–	–	x	x	–
Food-grade lubrication ^{a) b)}		x	x	x	x	x	x	x	x
Corrosion resistant ^{a) b)}		x	x	x	x	x	x	x	x
Optimized mass inertia ^{a)}		x	x	x	x	x	–	–	–
System solutions									
Linear system (rack / pinion)		x	x	–	x	x	–	x	x
Servo actuator		x	–	–	x	x	–	–	–
Accessories (please refer to the product pages for further options)									
Coupling		x	x	x	x	x	–	x	x
Shrink disc		x	x	x	–	–	x	–	x

^{a)} Power reduction: technical data available on request

^{b)} Please contact WITTENSTEIN alpha

^{c)} In relation to reference sizes

^{d)} Power reduction: Please use our sizing software cymex® for a detailed sizing – www.wittenstein-cymex.com



TK+	TPK+	TPK+ HIGH TORQUE	SC+	SPC+	TPC+	VH+	VS+	VT+	DP+	HDP+
MF	MF	MA	MF	MF	MF	MF	MF	MF	MF / MA	MA
178	188	188	228	238	248	262	272	280	292	308
3	12	66	1	4	4	4	4	4	16	22
100	10000	5500	2	20	20	400	400	400	55	55
≤ 4	≤ 4	≤ 1.3	≤ 4	≤ 4	≤ 4	≤ 3	≤ 3	≤ 3	≤ 3	≤ 1
-	≤ 2	-	-	≤ 2	≤ 2	≤ 2	≤ 2	≤ 2	≤ 1	-

-	-	-	x	x	-	-	x	-	-	-
-	-	-	x	x	-	-	x	-	-	-
-	-	-	-	x	-	-	x	-	-	-
-	-	-	-	x	-	-	-	-	-	-
-	-	-	-	-	-	x	-	-	-	-
-	-	-	-	-	-	x	-	-	-	-
x	-	-	-	-	-	-	-	x	-	-
-	x	x	-	-	x	-	-	-	x	x
-	x	x	-	-	x	-	-	-	-	-
x	x	x	-	-	-	x	x	-	-	-

x	x	x	x	x	x	x	x	x	x	x
-	-	-	-	-	-	-	-	-	-	-

-	-	-	-	-	-	-	-	-	-	-
x	-	-	-	-	-	-	-	-	-	-
x	x	x	x	x	x	x	x	x	x	x
x	x	x	-	-	-	x	x	x	x	x
-	-	-	-	-	-	-	-	-	x	x

x	x	x	x	x	x	-	x	x	-	-
-	-	-	-	-	-	-	-	-	-	-

x	x	x	x	x	x	-	x	x	-	-
-	-	-	-	x	-	x	-	-	-	-

Premium Line gearbox overview



Product type		XP ⁺	RP ⁺	XPK ⁺	RPK ⁺	XPC ⁺	RPC ⁺
Version		MF / MC	MF / MA	MF	MA	MF	MA
Ratio ^{c)}	min. $i =$	3	22	12	48	4	22
	max. $i =$	100	220	1000	5500	20	55
Max. torsional backlash [arcmin] ^{c)}	Standard	≤ 3	≤ 1	≤ 4	≤ 1.3	≤ 4	≤ 1.3
	Reduced	≤ 1	–	≤ 2	–	≤ 2	–
Output shape							
Smooth shaft		x	–	x	–	x	–
Shaft with key ^{d)}		x	–	x	–	x	–
Splined shaft (DIN 5480)		x	–	x	–	x	–
Blind hollow shaft		x	–	x	–	x	–
Hollow shaft interface		–	–	–	–	–	–
Keyed hollow shaft		–	–	–	–	–	–
Flanged hollow shaft		–	–	–	–	–	–
Flange		–	x	–	x	–	x
System output		x	x	x	x	x	x
Output on both sides		–	–	–	–	–	–
Input type							
Motor-mounted		x	x	x	x	x	x
Self-contained version ^{b)}		x	–	–	–	–	–
Characteristic							
Flange with slotted holes		x	x	x	x	x	x
ATEX ^{a)}		–	–	–	–	–	–
Food-grade lubrication ^{a) b)}		x	x	x	x	x	x
Corrosion resistant ^{a) b)}		–	–	–	–	–	–
Optimized mass inertia ^{a)}		x	x	–	–	–	–
System solutions							
Linear system (rack / pinion)		x	x	x	x	x	x
Servo actuator		x	x	–	–	–	–
Accessories (please refer to the product pages for further options)							
Coupling		x	–	x	–	x	–
Shrink disc		x	–	x	–	x	–

^{a)} Power reduction: technical data available on request

^{b)} Please contact WITTENSTEIN alpha

^{c)} In relation to reference sizes

^{d)} Power reduction: Please use our sizing software cymex[®] for a detailed sizing – www.wittenstein-cymex.com

Overview of gearbox variants

SP 100 S - MF 1 - 10 - 0G 1 - 2S

Characteristic:

B = Modular output combination
C = Reverse centering
E = ATEX
F = Food grade lubrication
G = Grease
H = Food-grade grease
L = Friction optimized
R = Flange with slotted holes
S = Standard
W = Corrosion resistant

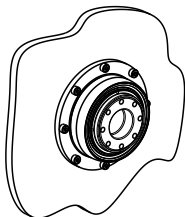
Explanation of variants deviating from the standard:

B = Modular output combination

An additional backward output type is available for hypoid gearboxes. See page 353 for details.

C = Reverse centering

To save space, this variant offers greater flexibility in mounting the product on the machine.



E = ATEX

Devices bearing the Ex symbol comply with EU Directive 2014/34/EN (ATEX) and are approved for use in defined explosion-prone zones. Performance data is limited and can be found in the operating instructions.

F = Food grade lubrication

These products are available with food-grade lubrication and can therefore be used in the food industry. Please note that the torque ratings in the catalog are reduced by 20 % (excluding V-Drive).

G = Grease

This variant allows you to lubricate selected products with grease instead of oil. Please note that the torque ratings in the catalog are reduced by 20 %.

H = Food-grade grease

This variant allows you to lubricate selected products with food-safe grease instead of oil. Please note that the torque ratings in the catalog are reduced by 40%.

L = Friction optimized

A friction-optimized variant is available for HIGH SPEED products.

Design changes allow the products to be used particularly in applications with high temperature sensitivity, high nominal speeds or long duty cycles.

R = Flange with slotted holes

This output type is designed for linear applications with rack and pinion or belt pulley. Integrated slotted holes enable easy positioning of the pinion or simple tensioning of the belt.

W = Corrosion resistant

These products can be used in corrosive environments, e.g. in the food industry, pharmaceutical industry or packaging industry. All external product areas have been designed to avoid corrosion. In addition the products are provided with food-grade grease lubrication. Please note that the torque ratings in the catalog are reduced by 20 % (excluding V-Drive).

alpha Advanced Linear Systems

Strong performance in the advanced segment

Advanced Linear Systems are adapted to applications with average to high demands in terms of smooth running, positioning accuracy and feed force. Different gearbox versions and options such as HIGH TORQUE or HIGH SPEED can be selected to utilize the most appropriate system for the application. Typical fields of application include wood, plastic and composite machining, machining centers and automation.

The alpha preferred linear system – The best of each segment

Our preferred linear systems in the Advanced Segment are always comprised of the perfect combination of gearbox, pinion, rack and lubrication system. The systems are optimized to achieve the required feed force, feed speed, rigidity and degree of utilization of the individual components.



For further information, refer to our alpha Linear Systems catalog and our website:
www.wittenstein-alpha.com/linear-systems

For a wide range of applications

Linear systems from WITTENSTEIN alpha are suitable for a wide range of applications and industries. New standards and advantages have been achieved in the following areas:

- Smooth operation
- Positioning accuracy
- Feed force
- Power density
- Rigidity
- Easy installation
- Design options
- Scalability

Together with a comprehensive range of services, we pledge to support you from the initial concept to the design, installation and commissioning phase. We will also ensure a consistent supply of spare parts.

Your benefits at a glance

Perfectly adapted linear systems available with planetary, right-angle and worm gearboxes or as an actuator

Optionally with INIRA®

Large individual configuration range due to numerous pinion/gearbox combinations



INIRA®: The revolution in rack assembly



Simply scan the QR code using your smartphone to see INIRA® in action.

INIRA® combines our existing innovative concepts for the simple, safe and efficient installation of racks. INIRA® clamping, INIRA® adjusting and INIRA® pinning have already made the assembly process much faster, more accurate and more ergonomic. Available for the Advanced and Premium Linear Systems.

INIRA® clamping: Simply faster and more ergonomic
Previously, enormous effort was required to clamp racks to the machine bed using screw clamps. INIRA® clamping integrates the clamping device in the rack. The rack incorporates a mounting sleeve which is guided over the head of the fastening screw to ensure quick and ergonomic clamping.

INIRA® pinning: Simply better and more efficient
The previous method used for pinning racks was extremely time-consuming. Precision bores have to be drilled and the chips generated must be carefully removed from the assembly. INIRA® pinning now offers a completely new solution for the chipless pinning of racks, which reduces installation times considerably (time spent on each rack ~ 1 min).

INIRA® adjusting: Simply safer and more precise
In combination with INIRA® clamping, INIRA® adjusting is the ideal solution for perfectly adjusting the transition between two rack segments. The innovative setting tool can adjust the transition extremely reliably and precisely, accurate to the micrometer.



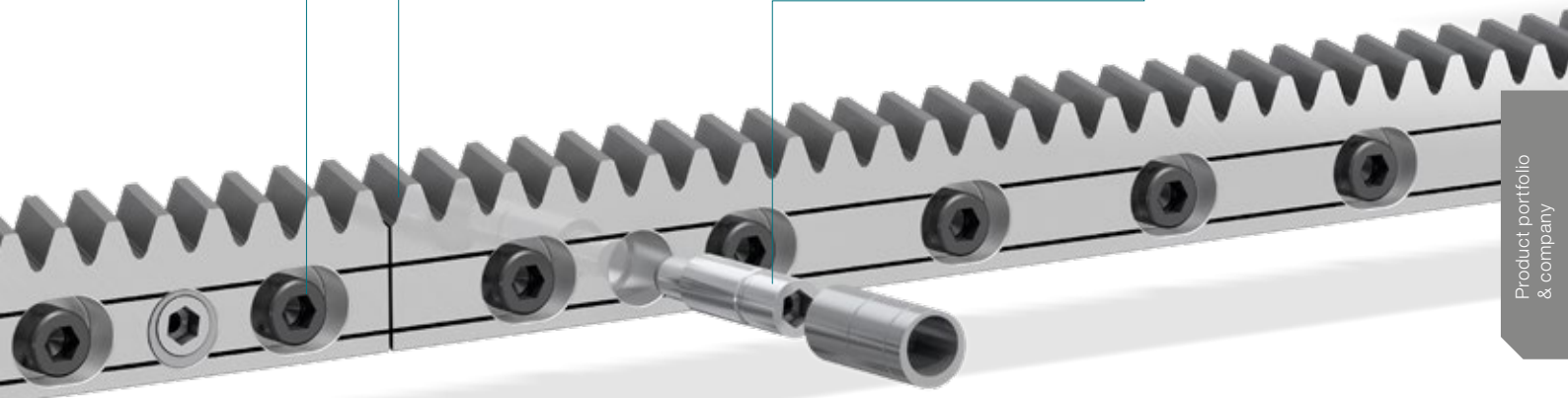
INIRA® clamping



INIRA® adjusting



INIRA® pinning



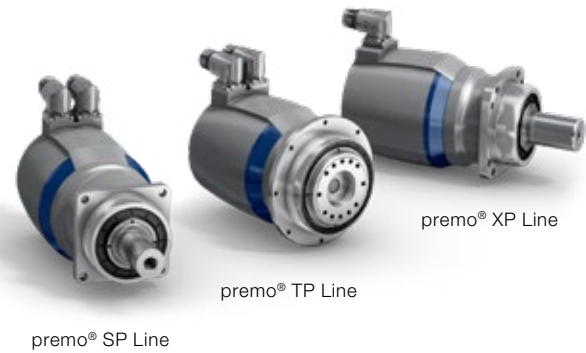
Precision meets motion = premo® by WITTENSTEIN alpha

premo® is a new, powerful servo actuator platform that combines absolute precision with perfect movement. The central idea behind this first fully scalable servo actuator platform is uncompromising flexibility from the viewpoint of the user. Motors and gearboxes with application-related graduated performance characteristics can be configured modularly to individual servo actuators. The result is a

highly versatile modular system with customizable power, designed for a wide variety of applications. The core of the servo actuator is a torsionally rigid precision gearbox with low backlash and excellent torque density combined with the equally powerful, permanent magnet servo motor with a split winding that guarantees low cogging and minimal velocity ripple.

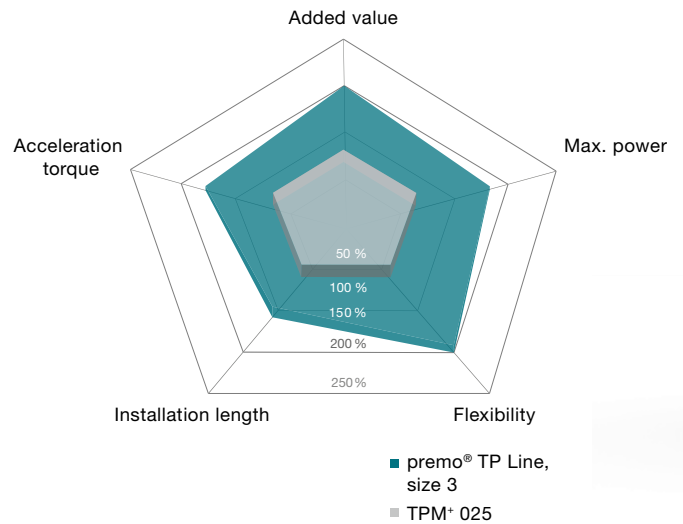
premo® – clearly superior in performance

- Higher machine performance thanks to higher acceleration torque
- High torque density combined with a compact design allow for the realization of higher performance machines with significant space saving
- Improved connectivity to next generation controllers from leading system providers through the use of digital feedback (EnDat 2.2, DSL, HIPERFACE DSL®, DRIVE-CLiQ)
- Compatibility for high bus voltages up to 750 V DC
- Reduced wiring requirement through single-connector technology
- Improved reliability and safety through the use of more powerful brakes and SIL 2 encoders



Product highlights

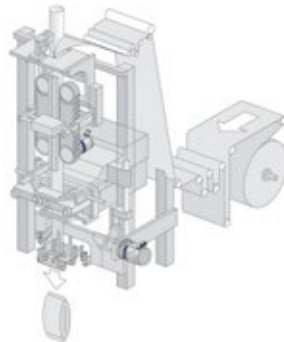
- Optimized power density for greater energy efficiency and productivity
- Flexible mechanical and electrical interfaces for high scalability
- Variety of options for individually upgrading the basic configuration



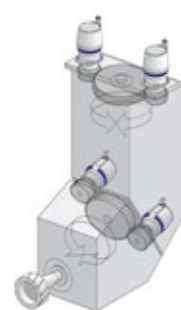
premo® application examples



Handling portal
premo® SP Line



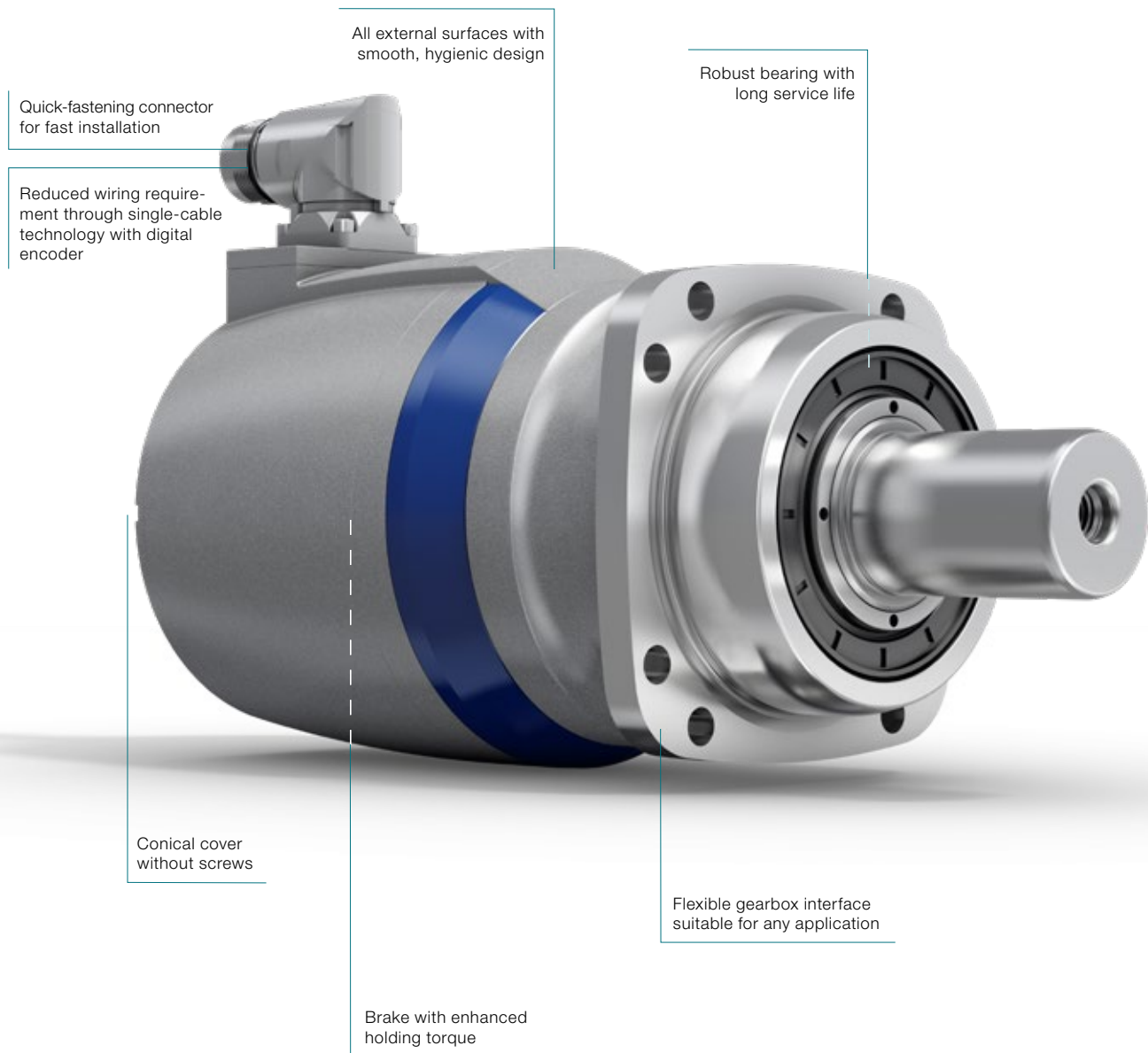
Fill and Seal machine
premo® TP Line



Milling cutter for a machining center
premo® XP Line

Typical fields of application and industry solutions

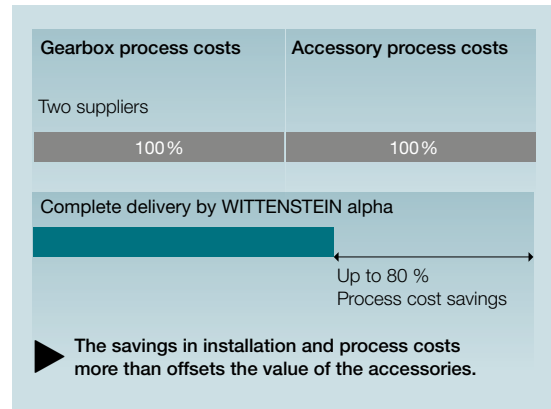
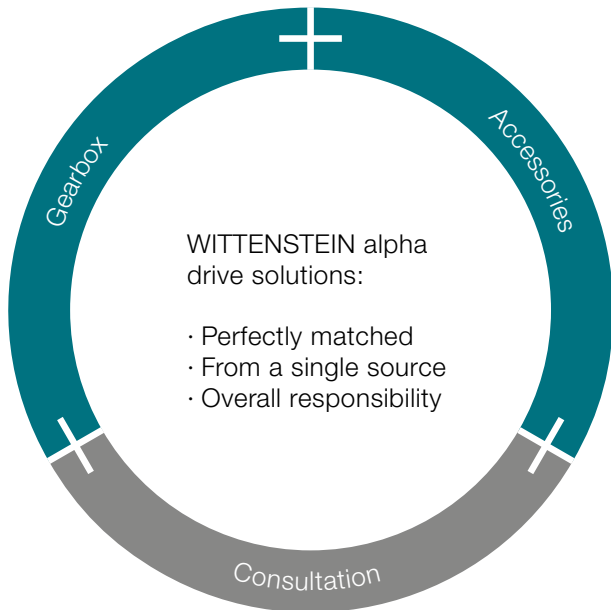
- Delta robot (axes 1–3, swivel axis)
- Handling portal (Z-axis, swivel/rotating axis)
- Machine tool reaming (rotating axes A–C, tool changer)
- Fill and Seal Machine (incl. jaw stroke, sealing jaw, blade)
- Folding carton packaging (incl. assembly/folding, filling valve)
- Plastic thermoform (tool axis)



Accessories – smart additions for intelligent performance

Gearboxes, accessories and consulting from a single source

Optimization of your added value chain
Use the combination of gearbox and accessories in a complete package to streamline your internal processes.



Shrink disks

Shrink disks are frictional hub / shaft connections. Together with our hollow shaft or mounted shaft gearboxes for mounting directly on load shafts, machines can be designed to take up a minimal installation space.

The benefits:

- Simple mounting and removal
- Quick selection, easy and convenient
- Optional: corrosion resistant version



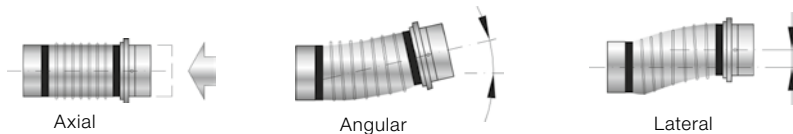
Preferred shrink disk series

To view a wide range of nickel-plated, stainless steel and other shrink disks as well as all the relevant technical data and dimensions, visit our homepage www.wittenstein-alpha.com

Couplings

Couplings are used for compensating misalignment during assembly and material-related heat expansion

Compensation for shaft misalignment



Metal bellows coupling

- Compensation for shaft misalignment
- Completely backlash free
- Corrosion resistant version available as an option (BC2, BC3, BCT)
- High torsional rigidity



Elastomer coupling

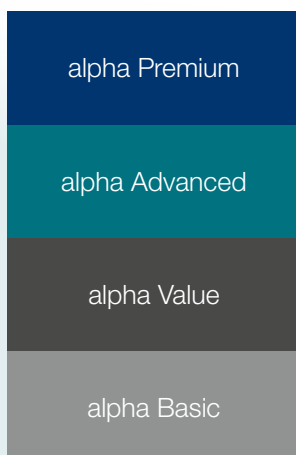
- Compensation for shaft misalignment
- Completely backlash free
- Selectable torsional rigidity/damping
- Compact design
- Extremely simple installation (plug-in)



Torque limiter

- Compensation for shaft misalignment
- Completely backlash free
- Precise, preset overload protection (switch-off in 1 – 3 ms)
- Precise repeat accuracy
- Just one protection element per axis

Preferred coupling series



Preferred series are defined for the relevant gearbox segments to make selection easier. Preferred couplings are defined based on the maximum torque that the gearbox can transmit. Standard industrial conditions for the number of cycles (1000/h) and ambient temperature were adopted.

Please note that the coupling load is based on the torque that the gearbox can transmit and not the torque in your application. We recommend using our cymex®5 design software to create a more detailed design. (www.wittenstein-cymex.com)

For more coupling types, please visit www.wittenstein-alpha.com

Support at each interaction stage

With the WITTENSTEIN alpha service concept, we are also setting new standards in the field of customer support.

Global presence

Our global consultation network will help you overcome your complex challenges through our extensive experience, a variety of design tools and individual engineering services.

Speed counts

Our speedline® team guarantees fast response times in the area of logistics. We provide on-site support during the installation and commissioning of mechanical systems to give you a sustained competitive edge.

Personal consultation

Our highly qualified and committed expert personnel will accompany you throughout the entire product lifecycle - around the clock. When it comes to customer support, you can count on us!

Design

Consultation
CAD POINT
SIZING ASSISTANT
Sizing software cymex®
Engineering

Installation

speedline® delivery
Installation on-site
Operating & installation instructions
Pick-up & return service

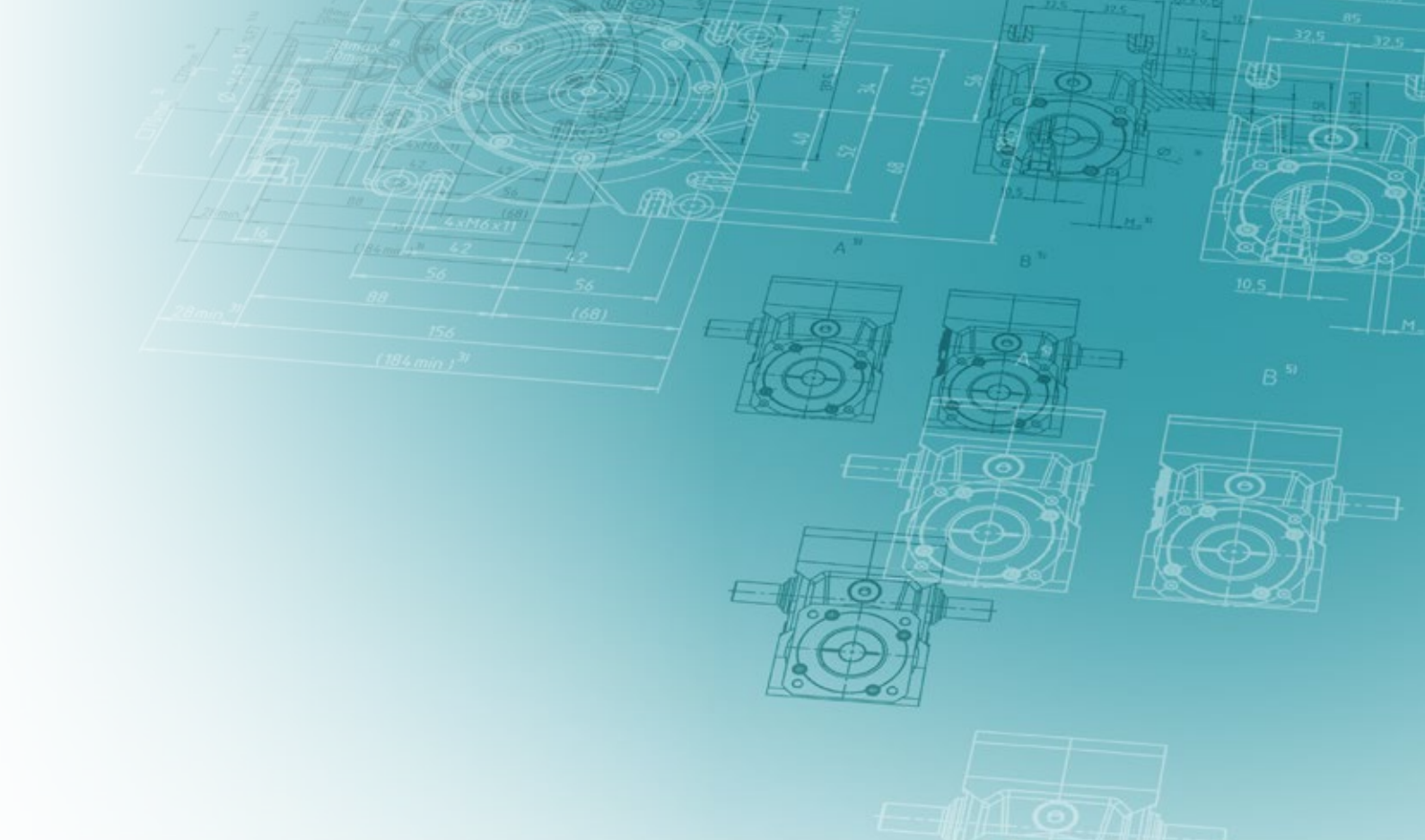


We are happy to advise you:

24 h service hotline: +49 7931 493-12900

No matter where you need us:

A comprehensive sales and service network provides quick availability and competent support worldwide.



Maintenance

24 h service hotline
Maintenance and inspection
Repair
cymex® statistics
Modernization

Training

Product training
Sizing training
Installation training
Service training

Support at each interaction stage

Design

Whatever your requirements are: we offer the right design methodology. Use the CAD POINT to gain easy access to CAD files, the SIZING ASSISTANT for creating simple

designs, cymex® 5 for precise dimensioning and our engineering service for individual solutions.

Consultation

- Personal contact on-site
- Professional application calculations and drive design create the best solutions



CAD POINT

- 3D data of selected solution
- Online comparison with motor geometry
- Transparent and simple selection of required components

Engineering

Catalog gearboxes:

- Advanced software tools for accurate calculation, simulation and analysis of the drive train
- Optimization of your productivity and reduction in development costs



SIZING ASSISTANT

- Efficient online design within seconds
- Convenient comparison function
- Automatic geometry adjustment

Special gearboxes:

- Gearing design and development
- Development and production of special gearboxes
- Send all inquiries to: sondergetriebe@wittenstein.de



cymex® 5 sizing software

- Dimensioning, design and evaluation of the entire drive train
- Reliable, efficient design
- Optimization of drive system



Installation

All delivered products are perfectly matched to your application environment and fully operational right away.

Our service experts support you in the installation and commissioning of complex mechatronic systems, guaranteeing maximum availability of your plant.

speedline® delivery

Tel. +49 7931 493-10444

- Delivery of standard series in 24 or 48 hours ex works*
- Outstanding flexibility for fast deliveries at short notice

Operating and installation instructions

- Detailed explanations of how to use the product
- Motor installation videos
- Assembly videos on rack and pinion system

Installation on-site

- Professional installation
- Optimal integration of the system in your application
- Explanation of the drive function

Pick-up and return service

- Cost savings through minimization of downtimes
- Professional logistics organization
- Reduction of transport risks through customized, direct pick-up and delivery



* Non-binding delivery time depending on part availability.

Support at each interaction stage

Maintenance

WITTENSTEIN alpha guarantees fast repairs of the highest quality and precision – with short throughput times and intensive support. In addition, we will provide you with information about various measurements, material

analyses and condition monitoring inspections. You can rely on short response times, unbureaucratic processing and individual support.

24 h service hotline

Tel. +49 7931 493-12900

- Available round the clock
- Personal, prompt service for resolving time-critical maintenance issues

cymex® statistics

- Systematic field data acquisition
- Reliability calculations (MTBF)
- Customized evaluations

Maintenance and inspection

- Documentation regarding condition and expected service life
- Maintaining required state
- Customized maintenance schedules

Modernization

- Professional retrofitting
- Reliable compatibility testing of existing solutions

Repair

- Restoring to required state
- Short throughput times
- Immediate response in time-critical situations



Training

Discover how our products function and how they can add value to your application. We offer you training courses at our premises or on-site at your plant. Benefit from

practice-oriented learning methods and a highly skilled team of trainers.

Product training

Greater knowledge enables greater achievement. We will be pleased to share our expert knowledge with you: Profit from our many years of experience and learn more about the product portfolio of WITTENSTEIN alpha.

Installation training

We offer you individual training courses on-site for your system application of selected linear axes as well as professional installation.

Sizing training

Become a design expert! We will provide you with training courses on our design software, adapted to your requirements. Whether for beginners or experts, for occasional or regular users – we adapt our training course to your wishes and requirements.

Service training

Participation in a service training course is a prerequisite for sourcing spare parts at the parts list level. We offer you training courses at our premises or on-site at your plant. Moreover, we regularly host maintenance workshops at which the participants are instructed in safe handling during mounting of the motor to the gearbox as well as the independent replacement of wearing parts and gearbox assemblies.



The WITTENSTEIN group – The company and its fields of business



WITTENSTEIN

With approximately 2,900 employees worldwide, WITTENSTEIN SE stands for innovation, precision and excellence in the world of mechatronic drive technology, both nationally and internationally. The group is active in six innovative fields of business. Furthermore, WITTENSTEIN SE is represented by some 60 subsidiaries in around 40 countries in all important technology and sales markets worldwide.



Our fields of expertise

We provide know-how for a host of different sectors:

- Machine and plant construction
- Software development
- Aerospace
- Automotive & E-mobility
- Energy
- Oil & Gas Exploration and Production
- Medical technology
- Measurement and testing technology
- Nanotechnology
- Simulation



WITTENSTEIN alpha GmbH
High-precision servo drives and linear systems



WITTENSTEIN motion control GmbH
Customized linear and rotary servo systems



WITTENSTEIN cyber motor GmbH
Highly dynamic servo motors and drive electronics



WITTENSTEIN intens GmbH
Smart drive solutions in and on the human body



WITTENSTEIN aerospace & simulation GmbH
Mechatronic drive systems for aerospace & simulation



attocube systems AG
Nanoprecision drive and measurement technology solutions

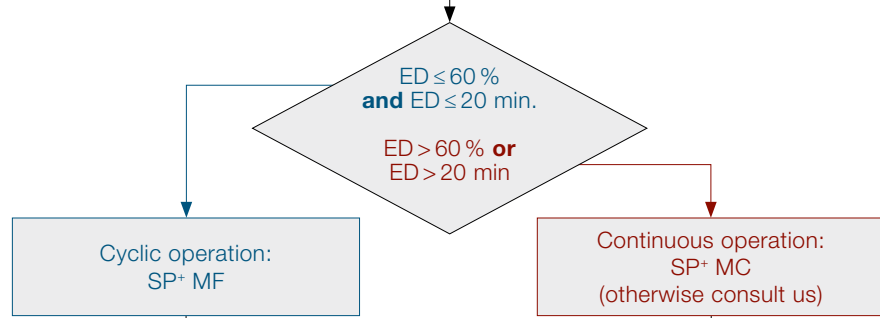
Gearbox general – Detailed sizing

Cyclic operation **S5** and continuous operation **S1**

Calculate the duty cycle ED

$$ED = \frac{(t_b + t_c + t_d)}{(t_b + t_c + t_d + t_e)} \cdot 100$$

$$ED = t_b + t_c + t_d$$



$$Z_n = \frac{3600}{(t_b + t_c + t_d + t_e)} \quad \text{see diagram 1}$$

f_s is dependent on Z_n see diagram 2

Calculate the number of cycles Z_n

Calculate the shock factor f_s see diagram 2

T_{2b} depends on the application

$$T_{2b, fs} = T_{2b} \cdot f_s$$

Calculate the max. acceleration torque at the output including the shock factor $T_{2b, fs}$

$$f_0 = \frac{t_{\alpha 1} + \dots + t_{\alpha n}}{t_{ges}}$$

t_α = elevation time
 t_α = operating time with

$$T_{2b, fs} \geq T_{2B}$$

Calculate the elevation range f_0

Calculate the average elevation speed $n_{2m\alpha}$

$$n_{2m} = \frac{|n_{2b}| \cdot t_b + \dots + |n_{2n}| \cdot t_n}{t_b + \dots + t_n} \quad \text{incl. pause time}$$

$$n_{2m\alpha} = \frac{|n_{2\alpha 1}| \cdot t_{\alpha 1} + \dots + |n_{2\alpha n}| \cdot t_{\alpha n}}{t_{\alpha 1} + \dots + t_{\alpha n}}$$

Calculate the relevant output shaft revolutions f_α

Calculate of $T_{2\alpha, zul}$ see diagramm 3

$$f_\alpha = n_{2m\alpha} \cdot L_h \cdot f_0$$

L_h = required service life

$$T_{2b, fs} \leq T_{2\alpha, zul}$$

no Select a larger gearbox or please consult

yes

Calculate the max. output speed n_{2max} see diagram 1

i depends on
 - required output speed (for the application)
 - reasonable input speed (gearbox / motor)

$$n_{1max} = n_{2max} \cdot i$$

$$n_{1max} \leq n_{1Mot max}$$

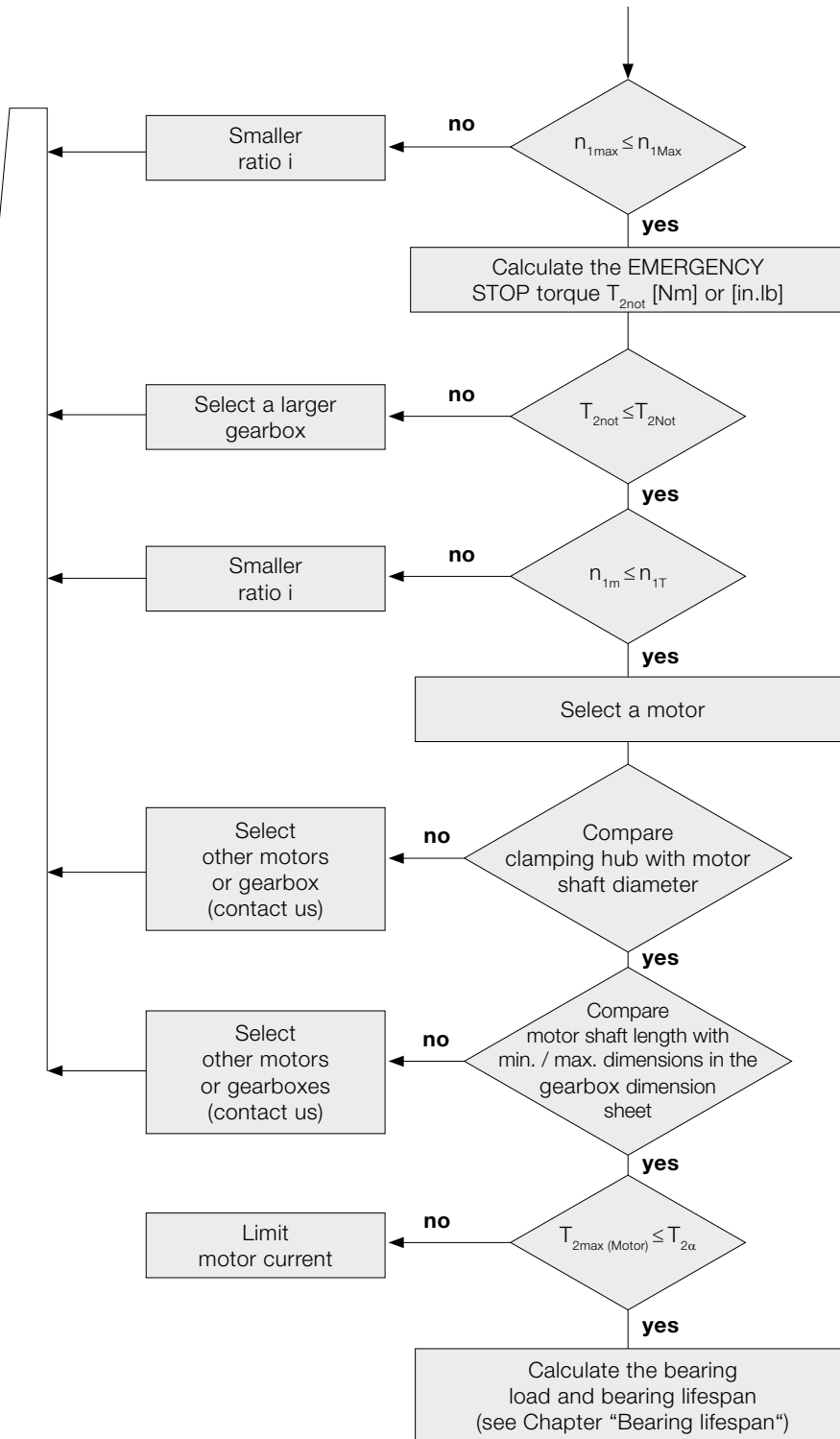
T – consisting of corresponding output and input torque

$$T_{1b} = T_{2b} \cdot \frac{1}{i} \cdot \frac{1}{\eta} \quad T_{1b} \leq T_{Mot max}$$

λ – from resulting inertia ratio.
 Guide value: $1 \leq \lambda \leq 10$
 (see alphabet for calculation)

Calculate the ratio i

n_{2max} depends on the application



Please refer to the relevant technical data for information on the max. permissible characteristic values for your gearbox.

T_{2not} depends on the application

$$n_{1m} = n_{2m} \cdot i$$

$$D_{W, Mot} \leq D_{clamping\ hub}$$

The motor shaft must be inserted far enough into the clamping hub.

The motor shaft must protrude far enough into the clamping hub without making contact.

$$T_{2max (Motor)} = T_{1max (Motor)} \cdot i \cdot \eta_{gearbox}$$

The gearbox should not be damaged when the motor operates at full load, limit the motor current if necessary.

Diagram 1
Standard collective load at output. At input speeds up to rated speed n_{1N} or thermal speed limit n_{1T} , the temperature of the gearbox will not exceed 90 °C under average ambient conditions.

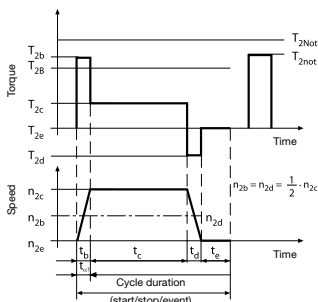


Diagram 2
Large number of cycles combined with short acceleration times may cause the drive train to vibrate. Use the shock factor f_s to include the resulting excess torque values in calculations.

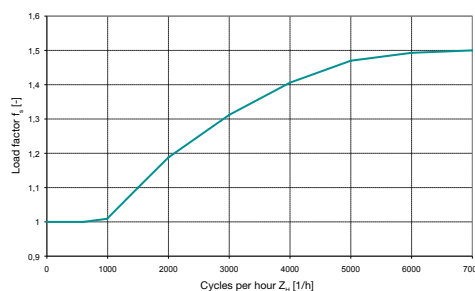
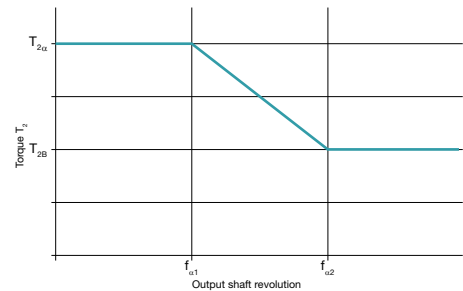
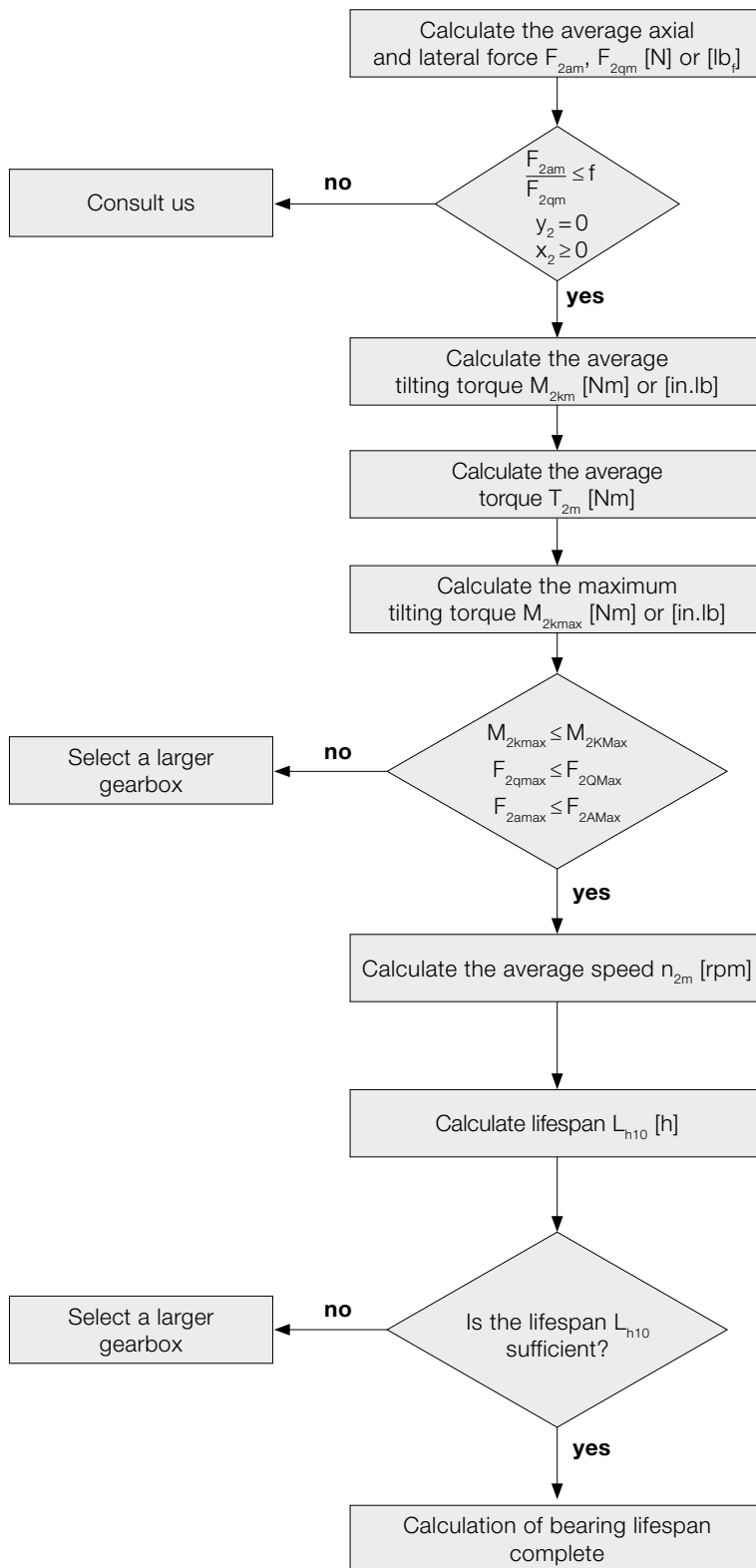


Diagram 3
The transmittable torque $T_{2u,per}$ of the gearbox is dependent on the number of output shaft revolutions. In the lower output shaft revolution range, the fatigue strength range of the toothing can be fully utilized up to the maximum value T_{2u} .



Gearbox general – Detailed sizing

Bearing lifespan L_{h10}



$$F_{2am} = \sqrt[3]{\frac{|n_{2b}| \cdot t_b \cdot |F_{2ab}|^3 + \dots + |n_{2n}| \cdot t_n \cdot |F_{2an}|^3}{|n_{2b}| \cdot t_b + \dots + |n_{2n}| \cdot t_n}}$$

$$F_{2qm} = \sqrt[3]{\frac{|n_{2b}| \cdot t_b \cdot |F_{2qb}|^3 + \dots + |n_{2n}| \cdot t_n \cdot |F_{2qn}|^3}{|n_{2b}| \cdot t_b + \dots + |n_{2n}| \cdot t_n}}$$

$$M_{2km} = \frac{F_{2am} \cdot y_2 + F_{2qm} \cdot (x_2 + z_2)^a}{W}$$

$$T_{2m} = \sqrt[3]{\frac{|n_{2b}| \cdot t_b \cdot |T_{2b}|^3 + \dots + |n_{2n}| \cdot t_n \cdot |T_{2n}|^3}{|n_{2b}| \cdot t_b + \dots + |n_{2n}| \cdot t_n}}$$

$$M_{2kmax} = \frac{F_{2amax} \cdot y_2 + F_{2qmax} \cdot (x_2 + z_2)^a}{W}$$

^{a)} x, y, z in mm

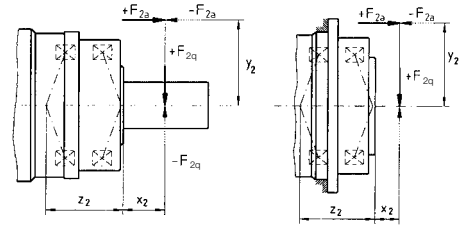
$$n_{2m} = \frac{n_{2b} \cdot t_b + \dots + n_{2n} \cdot t_n}{t_b + \dots + t_n}$$

$$L_{h10} = \frac{16666}{n_{2m}} \cdot \left[\frac{K1_2}{M_{2km}} \right]^{p_2}$$

	metric	inch
W	1000	1

	TP ⁺ /TPK ⁺	SP ⁺ /SPK ⁺
f	0.37	0.40

Example with output shaft and flange:



SP ⁺ /SPK ⁺ /SPC ⁺		060	075	100	140	180	210	240
z ₂	[mm]	42.2	44.8	50.5	63.0	79.2	94.0	99.0
	[in]	1.66	1.76	1.99	2.48	3.12	3.70	3.90
K _{1,2}	[Nm]	795	1109	1894	3854	9456	15554	19521
	[in.lb]	7036	9815	16762	34108	83686	137653	172761
p ₂		3.33	3.33	3.33	3.33	3.33	3.33	3.33

TP ⁺ /TPK ⁺ / TPC ⁺ /DP ⁺		004	010	025	050	110	300	500	2000	4000
z ₂	[mm]	57.6	82.7	94.5	81.2	106.8	140.6	157	216	283
	[in]	2.27	3.26	3.72	3.20	4.21	5.48	6.12	8.50	11.1
K _{1,2}	[Nm]	536	1325	1896	4048	9839	18895	27251	96400	184000
	[in.lb]	4744	11726	16780	35825	87075	167220	241171	853140	1628400
p ₂		3.33	3.33	3.33	3.33	3.33	3.33	3.33	3.33	3.33

HDP ⁺		010	025	050
z ₂	[mm]	90.4	99.1	83.5
	[in]	3.56	3.90	3.29
K _{1,2}	[Nm]	1325	1896	4048
	[in.lb]	11726	16780	35825
p ₂		3.33	3.33	3.33

TK⁺/SK⁺/HG⁺/SC⁺/VH⁺/VS⁺/VT⁺: Calculation using cymex®.
Please contact us for further information.

Hypoid gearboxes – Detailed sizing

Gearbox types and sizes			TK* 004 SK* 060 HG* 060	SPK* 075 TPK* 010 TPK* 025 MA	TK* 010 SK* 075 HG* 075	SPK* 100 TPK* 025 TPK* 050 MA
Dimensions of rearward drive						
Solid shaft:	diameter	$\varnothing D_{KG}$ mm	16	16	22	22
	length	L mm	28 ±0.15	28 ±0.15	36 ±0.15	36 ±0.15
Hollow shaft interface outer diameter		$\varnothing D_{HB}$ mm	18	18	24	24
Hollow shaft interface inner diameter		$\varnothing d_{HB}$ mm	15	15	20	20
Hollow shaft interface length		L_{HW} mm	14	14	16	16
Distance from input axis		A mm	42.9	42.9	52.6	52.6
Key dimensions (E = key as per DIN 6885, sheet 1, form A)	l	mm	25	25	32	32
	b_{H9}	mm	5	5	6	6
	a	mm	2	2	2	2
	h	mm	18	18	24.5	24.5
Output shaft threaded bore		B	M5x12.5	M5x12.5	M8x19	M8x19
Permissible load of rearward drive						
Max. acceleration torque ^{c)}	$T_{3a,zul}$	$= T_{2a,zul}$ on the condition that $T_{2b,fs} + T_{3b,fs} \leq T_{2a,zul}$	Please contact us	$= T_{2a,zul}$ on the condition that $T_{2b,fs} + T_{3b,fs} \leq T_{2a,zul}$	Please contact us	
Nominal output torque ^{c)}	T_{3N}	$= T_{2N} - T_{2n}$	Please contact us	$= T_{2N} - T_{2n}$	Please contact us	
EMERGENCY STOP torque ^{c)}	T_{3Not}	$= T_{2Not} - T_{2not}$		$= T_{2Not} - T_{2not}$		
Max. axial force ^{b)}	F_{3Amax}	1500	1500	1800	1800	
Max. lateral force ^{b)}	F_{3Qmax}	2300	2300	3000	3000	
Max. tilting torque	M_{3Kmax}	60	60	100	100	
Calculation of average tilting torque at the rearward drive						
Factor for tilting torque calculation	z_3 mm	11.9	11.9	15.6	15.6	
Distance between axial force and center of gearbox	y_3 mm	Application-dependent				
Distance between lateral force and shaft collar	x_3 mm	Application-dependent				

^{a)} Connection via shrink discs

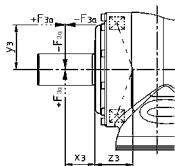
^{b)} Refers to center of shaft

^{c)} See also page 336, "Detailed dimensioning – Gearbox"

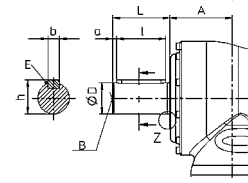
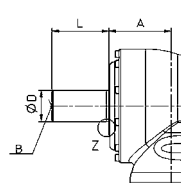
Rearward drive:

Smooth shaft

Shaft with key

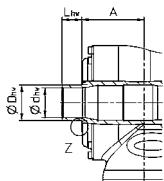


$$M_{3K} = F_{3a} \cdot y_3 + F_{3q} \cdot (x_3 + z_3)$$



TK* 025 SK* 100 HG* 100	SPK* 140 TPK* 050 TPK* 110 MA	TK* 050 SK* 140 HG* 140	SPK* 180 SPK* 240 TPK* 110 TPK* 500 TPK* 300 MA	TK* 110 SK* 180 HG* 180	SPK* 210 TPK* 300 TPK* 500 MA
32	32	40	40	55	55
58 ±0.15	58 ±0.15	82 ±0.15	82 ±0.15	82 ±0.15	82 ±0.15
36	36	50	50	68	68
30	30	40	40	55	55
20	20	25	25	25	25
63.5	63.5	87	87	107.8	107.8
50	50	70	70	70	70
10	10	12	12	16	16
4	4	5	5	6	6
35	35	43	43	59	59
M12x28	M12x28	M16x36	M16x36	M20x42	M20x42
$= T_{2\alpha,zul}$ on the condition that $T_{2b,fs} + T_{3b,fs} \leq T_{2\alpha,zul}$	Please contact us	$= T_{2\alpha,zul}$ on the condition that $T_{2b,fs} + T_{3b,fs} \leq T_{2\alpha,zul}$	Please contact us	$= T_{2\alpha,zul}$ on the condition that $T_{2b,fs} + T_{3b,fs} \leq T_{2\alpha,zul}$	Please contact us
$= T_{2N} - T_{2n}$		$= T_{2N} - T_{2n}$		$= T_{2N} - T_{2n}$	
$= T_{2Not} - T_{2not}$		$= T_{2Not} - T_{2not}$		$= T_{2Not} - T_{2not}$	
2000	2000	9900	9900	4000	4000
3300	3300	9500	9500	11500	11500
150	150	580	580	745	745
16.5	16.5	20	20	23.75	23.75
Application-dependent					
Application-dependent					

Hollow shaft interface ^{a)}



Hollow shaft



No connection possible

Cover



No connection possible

Worm gearboxes – Detailed sizing

A: Simplified sizing for servo motors based on the maximum motor torque: $M_{max} * i \leq T_{2\alpha}$

B: Sizing based on the application

Step 1:

Determine the application data

$$T_{2b} = \text{_____ [Nm]} \quad n_{1n} = \text{_____ [rpm]}$$

Step 2:

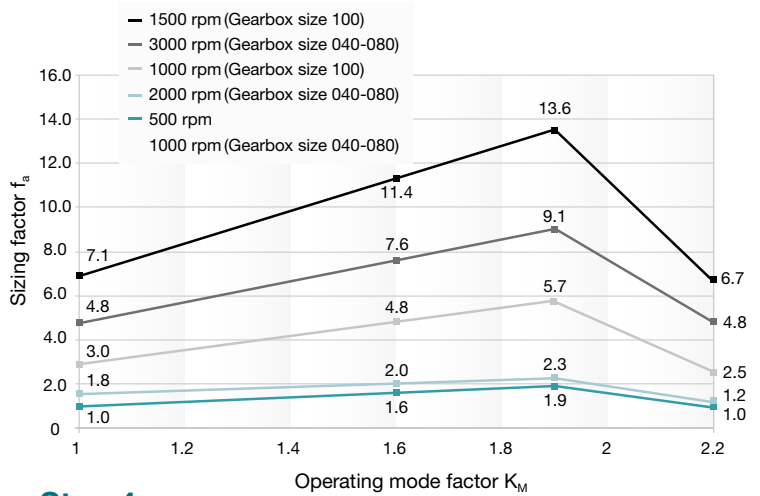
Determine the operating mode factor $K_M = \text{_____}$

Typical applications	Cycle	Torque characteristic	Operating mode factor K_M
Format changing, e.g. in packaging machines, drives for processing equipment, actuators etc.	S5 operation: Low duty cycle Small number of cycles Low dynamics		1.0
Tool changers with low dynamics, pick & place gantry axes, tire building machines etc.	S5 operation: Medium duty cycle Small number of cycles Medium dynamics		1.6
Linear axes in plasma, laser or water jet cutters, portals, tool changers with high dynamics	S5 operation: Medium duty cycle Medium number of cycles High dynamics		1.9
Roller drives in printing presses, star drives in rackers etc.	S1 operation: High duty cycle		2.2

cymex® 5 also allows sizing calculations for other applications / cycles!

Step 3:

Determine the sizing factor f_a with the operating mode factor K_M $f_a = \text{_____}$



Step 4:

Compare the equivalent application torque with the maximum gearbox $T_{2\alpha}$ (see table, Step 5)

$$T_{2eq} = f_a * T_{2b} \leq T_{2\alpha}$$

$$T_{2eq} = \text{_____} * \text{_____} \leq T_{2\alpha}$$

$$T_{2eq} = \text{_____ [Nm]} \leq \text{_____ [Nm]}$$

We recommend using a vent screw for duty cycles $\geq 60\%$, longer than 20 min (S1 operation) and $n_{1N} \geq 3000$ rpm.

Step 5: Quick selection of the technical data

			V-Drive Advanced				
			040	050	063	080	100
Ratio	i		4 - 400				
Maximum torque ^{a)} (at $n_1 = 500$ rpm)	$T_{2\alpha}$	Nm	74-106	165-204	319-372	578-785	1184-1505
		in.lb	655-938	1460-1805	2823-3292	5115-6947	10478-13319
Max. input speed	n_{1max}	rpm	6000	6000	4500	4000 / 4500 ^{b)}	3500 / 4000 ^{b)}
Max. lateral force	$F_{2\alpha Max}$	N	2400	3800	6000	9000	14000
		lb _f	540	855	1350	2025	3150
Operating noise (with $n_1 = 3000$ rpm no load)	L_{PA}	dB(A)	≤ 54	≤ 62	≤ 64	≤ 66	≤ 70
Max. torsional backlash	j_t	arcmin	≤ 3	≤ 3	≤ 3	≤ 3	≤ 3
Service life (For calculation see "Information")	L_h	h	> 20000	> 20000	> 20000	> 20000	> 20000

^{a)} The maximum torques depend on the ratio.

^{b)} First value for single-stage version, second value for two-stage version.

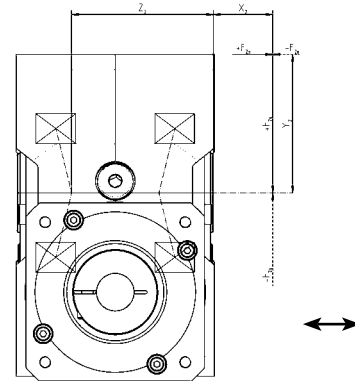
Account must be taken of the lateral and axial forces at the output:

Please also carry out steps 6 and 7 if forces are present at the output (e.g. if timing belt pulleys, pinions or levers are mounted there).

Step 6 (if external forces are present):

Determine the forces acting on the output and check the boundary conditions

- Lateral force $F_{2q} = \underline{\hspace{2cm}}$ [N]
- Lateral force distance $x_2 = \underline{\hspace{2cm}}$ [mm]
- Axial force $F_{2a} = \underline{\hspace{2cm}}$ [N]
- Axial force distance $y_2 = \underline{\hspace{2cm}}$ [mm]
- (required if F_{2a} is present)



Conditions if axial force F_{2a} is present:

- 1. $F_{2a} \leq 0.25 * F_{2q} \Rightarrow (\underline{\hspace{2cm}} \leq 0.25 * \underline{\hspace{2cm}})$ Met Not met: Sizing with cymex® 5
- 2. $y_2 \leq x_2 \Rightarrow (\underline{\hspace{2cm}} \leq \underline{\hspace{2cm}})$ Met Not met: Sizing with cymex® 5

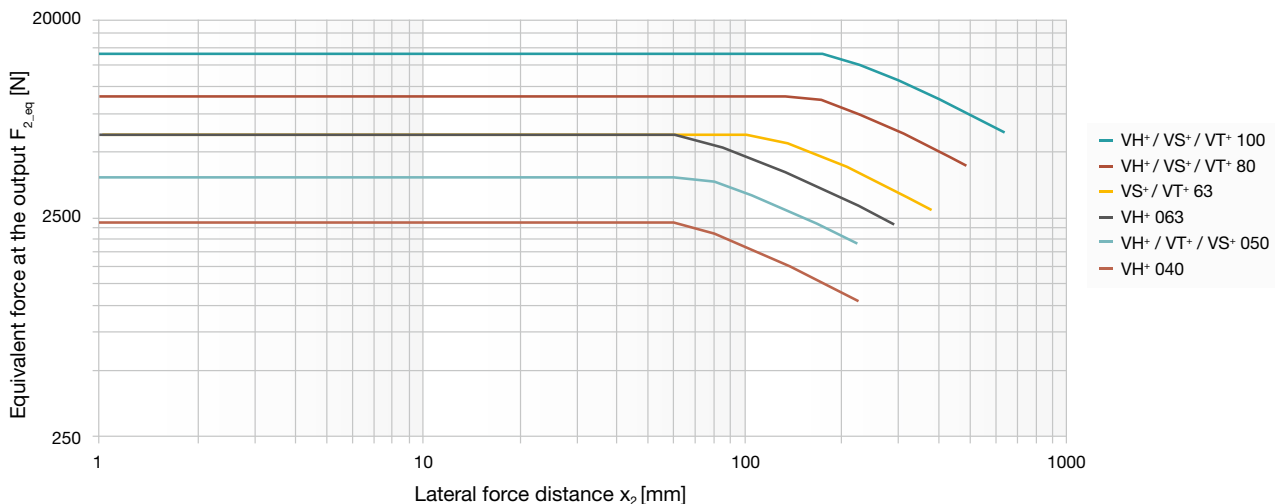
Step 7:

Determine the maximum equivalent force acting on the output $F_{2,eq}$

$F_{2,eq} = F_{2q} + 0.25 * F_{2a} \leq F_{2QMax}$ (F_{2QMax} can be determined from the diagram below)

$F_{2,eq} = \underline{\hspace{2cm}} + 0.25 * \underline{\hspace{2cm}} \leq \underline{\hspace{2cm}}$

$F_{2,eq} = \underline{\hspace{2cm}}$ [N] \leq $\underline{\hspace{2cm}}$ [N] Met Not met: Sizing with cymex® 5



Glossary – the alphabet

Adapter plate

WITTENSTEIN alpha uses a system of standardized adapter plates to connect the motor and the gearbox, making it possible to mount a WITTENSTEIN alpha gearbox to any desired motor without difficulty.

Angular minute

A degree is subdivided into 60 angular minutes (= 60 arcmin = 60').

Example:

If the torsional backlash is $j_t = 1$ arcmin, the output can be turned $1/60^\circ$. The repercussions for the application are determined by the arc length:

$$b = 2 \cdot \pi \cdot r \cdot \alpha^\circ / 360^\circ$$

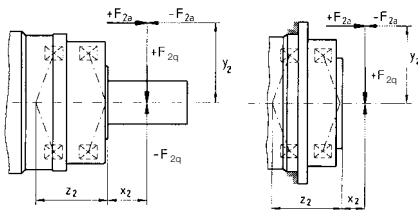
Example:

A pinion with a radius $r = 50$ mm mounted on a gearbox with torsional backlash $j_t = 3$ arcmin can be turned $b = 0.04$ mm.

Axial force (F_{2AMax})

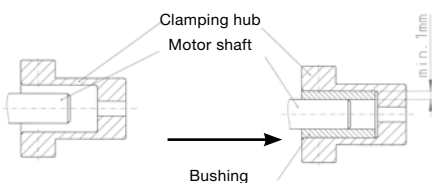
The axial force acting on a gearbox runs parallel to its output shaft or perpendicular to its output shaft. It may be applied with axial offset via a lever arm y_2 under certain circumstances, in which case it also generates a bending moment. If the axial force exceeds the permissible catalog values (max. axial force F_{2AMax}), additional design features (e.g. axial bearings) must be implemented to absorb these forces.

Example with output shaft and flange:



Bushing

If the motor shaft diameter is smaller than the → **clamping hub**, a bushing is used to compensate the difference in diameter. The bushing must have a minimum thickness of 1 mm and a motor shaft diameter of 2 mm.



CAD POINT

Performance data, dimension sheets and CAD data for all types of gearbox can be found online in our CAD POINT together with comprehensive documentation of the selection. (www.wittenstein-cad-point.com)

Clamping hub

The clamping hub ensures a frictional connection between the motor shaft and gearbox. A → **bushing** is used as the connecting element if the motor shaft diameter is smaller than that of the clamping hub. Optionally, a positive connection via a parallel key is also possible.

Continuous operation (S1)

Continuous operation is defined by the → **duty cycle**. If the duty cycle is greater than 60 % and / or longer than 20 minutes, this qualifies as continuous operation. → **Operating modes**

Cyclic operation (S5)

Cyclic operation is defined via the → **duty cycle**. If the duty cycle is less than 60 % and shorter than 20 minutes, it qualifies as cyclic operation (→ **operating modes**).

cymex®

cymex® is the calculation software developed by our company for dimensioning complete drive trains. The software enables the precise simulation of motion and load variables. The software is available for download from our website (www.wittenstein-cymex.com). We can also provide training to enable you to make full use of all the possibilities provided by the software.

Degree of protection (IP)

The various degrees of protection are defined in DIN EN 60529 "Degrees of protection offered by enclosure (IP code)". The IP degree of protection (International Protection) is represented by two digits. The first digit indicates the protection against the ingress of impurities and the second the protection against the ingress of water.

Example:

IP65

Protection against the ingress of dust (dust-proof)

Protection against spray water

Duty cycle (DC)

The cycle determines the duty cycle DC. The times for acceleration (t_b), constant travel if applicable (t_c) and deceleration (t_d) combined yield the duty cycle in minutes. The duty cycle is expressed as a percentage with inclusion of the pause time t_e .

$$DC [\%] = \frac{t_b + t_c + t_d}{t_b + t_c + t_d + t_e} \cdot 100 \frac{\text{Motion duration}}{\text{Cycle duration}}$$

$$DC [\text{min}] = t_b + t_c + t_d$$

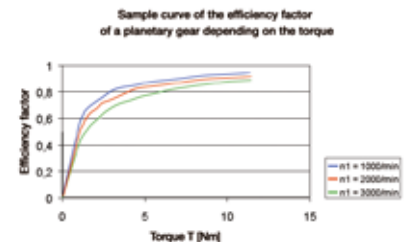
Emergency stop torque (T_{2Not})

The Emergency stop torque T_{2Not} is the maximum permissible torque at the gearbox output and must not be reached more than 1000 times during the life of the gearbox. It must never be exceeded!

Efficiency (η)

Efficiency [%] η is the ratio of output power to input power. Power lost through friction reduces efficiency to less than 1 or 100 %.

$$\eta = P_{\text{off}} / P_{\text{on}} = (P_{\text{on}} - P_{\text{loss}}) / P_{\text{on}}$$



WITTENSTEIN alpha always measures the efficiency of a gearbox during operation at full load. If the input power or torque are lower, the efficiency rating is also lower due to the constant no-load torque. Power losses do not increase as a result. A lower efficiency is also expected at high speeds (see illustration).



Ex symbol

Devices bearing the Ex symbol comply with EU Directive 94 / 9 / EC (ATEX) and are approved for use in defined explosion-hazardous zones.

Detailed information on explosion groups and categories, as well as further information on the relevant gearbox are available upon request.

Food-grade lubrication (F)

These products are designed with food-grade lubrication and can therefore be used in the food industry. Note the reduced torques compared to the standard products. (V-Drive excluded). The exact torques can be found in cymex® 5 or CAD POINT.

HIGH SPEED (MC)

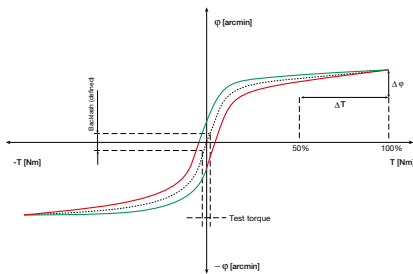
The HIGH SPEED version of our gearbox has been specially developed for applications in continuous operation at high input speeds, e.g. as found in the printing and packaging industries.

HIGH TORQUE (MA)

WITTENSTEIN alpha gearboxes are also available in a HIGH TORQUE version. These gearboxes are particularly suited to applications requiring extremely high torques and maximum stiffness.

Hysteresis curve

The hysteresis is measured to determine the torsional rigidity of a gearbox. The result of this measurement is known as the hysteresis curve.



If the input shaft is locked, the gearbox is continuously loaded and relieved at the output in both directions up to a defined torque. The torsional angle is plotted against the torque. This yields a closed curve from which the → **torsional backlash** and → **torsional rigidity** can be calculated.

Jerk (j)

Jerk is derived from acceleration and is defined as the change in acceleration within a unit of time. The term impact is used if the acceleration curve changes abruptly and the jerk is infinitely large.

Lateral force ($F_{2QM_{max}}$)

The max. lateral force $F_{2QM_{max}}$ [N] is the force component acting at right angles to the output shaft or parallel to the output flange. It acts perpendicular to the → axial force and can assume an axial distance of x_2 in relation to the shaft nut or shaft flange, which acts as a lever arm. The lateral force produces a bending moment (see also → axial force).

Mass inertia ratio ($\lambda = \text{Lambda}$)

The mass inertia ratio λ is the ratio of external inertia (application side) to internal inertia (motor and gearbox side). It is an important parameter determining the controllability of an application. Accurate control of dynamic processes becomes more difficult with differing mass moments of inertia and as λ becomes greater. WITTENSTEIN alpha recommends that a guideline value of $\lambda < 5$ is maintained. A gearbox reduces the external mass moment of inertia by a factor of $1/i^2$.

$$\lambda = \frac{J_{\text{extern}}}{J_{\text{intern}}}$$

J reduced externally at input:

$$J'_{\text{external}} = J_{\text{external}} / i^2$$

Simple applications ≤ 10

Dynamic applications ≤ 5

Highly dynamic applications ≤ 1

Mass moment of inertia (J)

The mass moment of inertia J [kg/cm²] is a measurement of the effort applied by an object to maintain its momentary condition (at rest or moving).

Mesh frequency (f_z)

The mesh frequency may cause problems regarding vibrations in an application, especially if the excitation frequency corresponds to an intrinsic frequency of the application. The mesh frequency can be calculated for planetary gearboxes from WITTENSTEIN alpha (exception: gearboxes with ratio $i = 8$) using the formula $f_z = 1.8 \cdot n_2$ [rpm] and on planetary gearboxes from WITTENSTEIN alpha, is independent of the ratio. If it does indeed become problematic, the intrinsic frequency of the system can be changed or another gearbox (e.g. hypoid gearbox) with a different mesh frequency can be selected.

No-load running torque (T_{012})

The no-load running torque T_{012} is the torque which must be applied to a gearbox in order to overcome the internal friction; it is therefore considered lost torque. The values specified in the catalog are calculated by WITTENSTEIN alpha at a speed of $n_1 = 3000$ rpm and an ambient temperature of 20 °C.

T_{012} :	0	1 → 2
	without load	from input side towards output side

Idling torques decrease during operation.

NSF

Lubricants certified as grade H1 by the NSF (National Sanitation Foundation) can be used in the food sector where occasional unavoidable contact with food cannot be excluded.

Operating modes

(continuous operation **S1** and cyclic operation **S5**)

Gearboxes are selected depending on whether the motion profile is characterized by frequent acceleration and deceleration phases in → **cyclic operation** (S5) as well as pauses, or whether it is designed for → **continuous operation** (S1), i.e. with long phases of constant motion.

Operating noise (L_{PA})

The gear ratio and speed affect the noise level. As a general rule: A higher speed means a higher noise level, while a higher ratio means a lower noise level. The values specified in our catalog are based on a reference ratio and speed. The reference speed is either $n_1 = 3000$ rpm or $n_1 = 2000$ rpm depending on the size of the gearbox. You can find ratio-specific values in cymex® – www.wittenstein-cymex.com.

Output shaft revolution (f_α)

Factor f_α determines the number of life time cycles for the required gearbox service life. It describes the number of revolutions at the output used to assess the torque permitted at the output.

→ Refer to this term for further details.

Glossary – the alphabet

Positioning accuracy

The positioning accuracy is determined by the angular deviation from a setpoint and equals the sum of the torsional angles due to load → **(torsional rigidity and torsional backlash)** and kinetics → **(synchronization error) occurring simultaneously in practise** .

Quality control

All Premium and Advanced gearboxes are subject to a final inspection before they leave the WITTENSTEIN alpha factory to ensure that they are all delivered within specification.

Ratio (i)

The gear ratio i indicates the factor by which the gearbox transforms the three relevant parameters of motion (speed, torque and mass moment of inertia). The factor is a result of the geometry of the gearing elements (Example: $i = 10$).

$$\begin{array}{ccc}
 n_1 = 3000 \text{ min}^{-1} & \begin{array}{l} \nearrow :i \\ \searrow \cdot i \end{array} & \begin{array}{l} T_2 = 200 \text{ Nm} \\ n_2 = 300 \text{ min}^{-1} \end{array} \\
 T_1 = 20 \text{ Nm} & & \\
 J_1 = 0,10 \text{ kgm}^2 & \longleftarrow & J_2 = 10 \text{ kgm}^2 \\
 & & \text{(Application)}
 \end{array}$$

Safety note

For applications with special safety requirements (e.g. vertical axes, clamped drives), we recommend exclusive use of our Premium and Advanced products (excluding V-Drive).

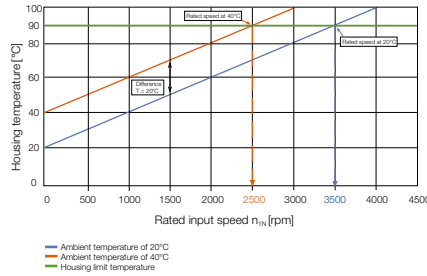
SIZING ASSISTANT

The online SIZING ASSISTANT from WITTENSTEIN alpha allows the efficient selection of a gearbox in seconds. You can use various motor or application entry options to select the right gearbox for your application in seconds (www.sizing-assistant.com).

Speed (n)

Two speeds are of relevance when dimensioning a gearbox: the maximum speed and the thermal speed limit at the input. The maximum permissible speed n_{1Max} must not be exceeded because it serves as the basis for dimensioning → **cyclic operation**. The nominal speed n_{1N} must not be exceeded in → **continuous operation**. The thermal speed limit n_{1T} at an ambient temperature of 20° C, is determined by the maximum

gearbox temperature of $T = 90^\circ \text{ C}$ at no-load. As can be seen in the diagram below, the temperature limit is reached more quickly in the presence of an elevated outside temperature. In other words: the nominal input speed must be reduced if the ambient temperature is high. The values applicable to your gearbox are available from WITTENSTEIN alpha on request.



Delivery of speedline®

If necessary, you can receive delivery of standard series in 24 or 48 hours ex works. Outstanding flexibility for fast deliveries at short notice

Synchronization

Synchronization refers to the measurable speed variation between the input and output during one revolution of the output shaft. It is caused by manufacturing tolerances and causes minute angular deviations and ratio fluctuations.

Technical data

You can download further technical data relating to the entire product portfolio from our website

Tilting rigidity

The tilting rigidity C_{2K} [Nm/arcmin] of the gearbox consists of the bending stiffness of the output or pinion shaft and the stiffness of the output bearing. It is defined as the quotient of tilting moment M_{2K} [Nm] and tilting angle Φ [arcmin]

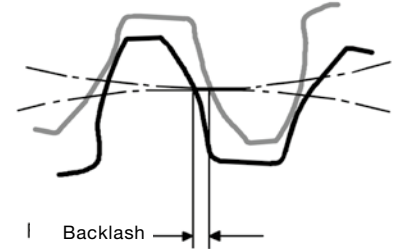
$$C_{2K} = M_{2K} / \Phi.$$

Tilting torque (M_{2K})

The tilting torque M_{2K} is a result of the → **axial and lateral forces** applied and their respective points of application in relation to the inner radial bearing on the output side.

Torsional backlash (j_t)

Torsional backlash j_t [arcmin] is the maximum angle of torsion of the output shaft in relation to the input. Simply put, the torsional backlash represents the gap between two tooth flanks.



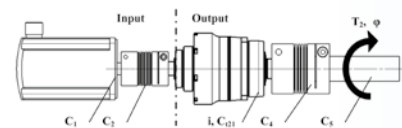
Torsional backlash is measured with the input shaft locked.

The output is then loaded with a defined test torque in order to overcome the internal gearbox friction. The main factor affecting torsional backlash is the face clearance between the gear teeth. The low torsional backlash of WITTENSTEIN alpha gearboxes is due to their high manufacturing accuracy and the specific combination of gear wheels.

Torsional rigidity (C_{t21})

Torsional rigidity [Nm/arcmin] C_{t21} is defined as the quotient of applied torque and resulting torsion angle ($C_{t21} = \Delta T / \Delta \Phi$). It shows the torque required to turn the output shaft by one angular minute. The torsional rigidity can be determined from the → **hysteresis curve**.

Torsional rigidity C , angle of torsion Φ



Reduce all torsional rigidity values at the output:

$$C_{(n),out} = C_{(n),in} * i^2$$

with i = Gearbox ratio [-]

$C_{(n)}$ = Individual rigidity values [Nm/arcmin]

→ Refer to this term for further details.

Note: The torsional rigidity C_{t21} for the gearbox always relates to the output.

Series connection of torsional rigidity values

$$1/C_{\text{tot}} = 1/C_{1,\text{out}} + 1/C_{2,\text{out}} + \dots + 1/C_{(n)}$$

Angle of torsion Φ [arcmin]

$$\Phi = T_2 * 1/C_{\text{tot}}$$

with T_2 = output torque [Nm]

Torque (M)

The torque is the actual driving force of a rotary motion. The force and lever arm combine to produce the torque that acts around the axis of rotation. $M = F \cdot l$

Torque ($T_{2\alpha}$)

$T_{2\alpha}$ represents the maximum torque transmitted by the gearbox. This value may decrease depending on the application-specific conditions and the precise evaluation of the movement profile.



Glossary – Formulae

Formulae

Torque [Nm]	$T = J \cdot \alpha$	J = Mass moment of inertia [kgm ²] α = Angular acceleration [1/s ²]
Torque [Nm]	$T = F \cdot l$	F = Force [N] l = Lever, length [m]
Acceleration force [N]	$F_b = m \cdot a$	m = Mass [kg] a = Linear acceleration [m/s ²]
Frictional force [N]	$F_{\text{Reib}} = m \cdot g \cdot \mu$	g = Acceleration due to gravity 9.81 m/s ² μ = Coefficient of friction
Angular speed [1/s]	$\omega = 2 \cdot \pi \cdot n / 60$	n = Speed [rpm] π = PI = 3.14...
Linear speed [m/s]	$v = \omega \cdot r$	v = Linear speed [m/s] r = Radius [m]
Linear speed [m/s] (spindle)	$v_{\text{sp}} = \omega \cdot h / (2 \cdot \pi)$	h = Screw pitch [m]
Linear acceleration [m/s²]	$a = v / t_b$	t_b = Acceleration time [s]
Angular acceleration [1/s²]	$\alpha = \omega / t_b$	
Pinion path [mm]	$s = m_n \cdot z \cdot \pi / \cos \beta$	m_n = Normal module [mm] z = Number of teeth [-] β = Helix angle [°]

Conversion table

1 mm	= 0.039 in
1 Nm	= 8.85 in.lb
1 kgcm²	= 8.85 x 10 ⁻⁴ in.lb.s ²
1 N	= 0.225 lb _f
1 kg	= 2.21 lb _m

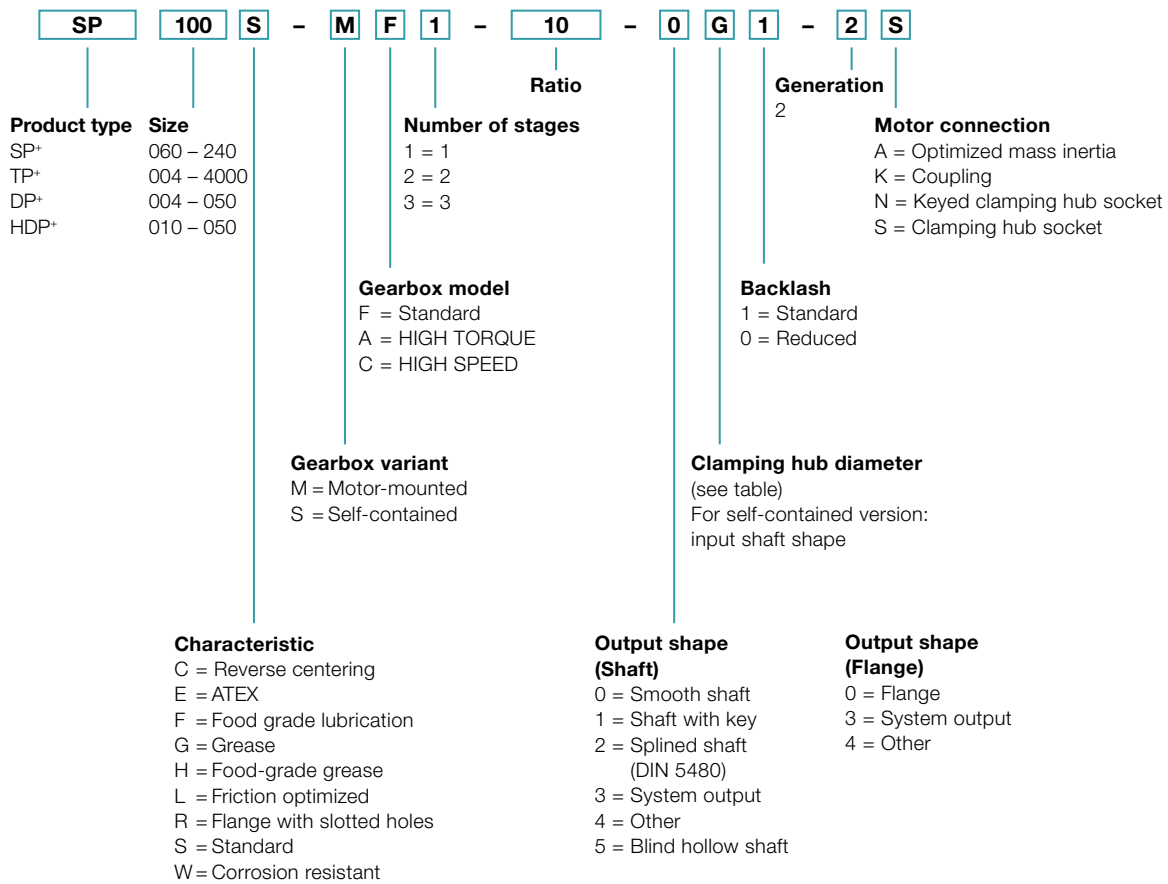
Symbol

Symbol	Unit	Designation
C	Nm/arcmin	Stiffness
ED	%, min	Duty cycle
F	N	Force
f_s	–	Load factor
f_e	–	Factor for duty cycle
i	–	Ratio
j	arcmin	Backlash
J	kgm ²	Mass moment of inertia
$K1$	Nm	Factor for bearing calculation
L	h	Service life
L_{PA}	dB(A)	Operating noise
m	kg	Mass
M	Nm	Torque
n	rpm	Speed
p	–	Exponent for bearing calculation
η	%	Efficiency
t	s	Time
T	Nm	Torque
v	m/min	Linear speed
z	1/h	Number of cycles

Index

Index	Designation
Capital letter	Permissible values
Small letter	Actual values
1	Input
2	Output
A/a	Axial
B/b	Acceleration
c	Constant
d	Deceleration
e	Pause
h	Hours
K/k	Tilting
m	Mean
Max/max	Maximum
Mot	Motor
N	Nominal
Not/not	Emergency stop
0	No load
Q/q	Lateral
t	Torsional
T	Tangential

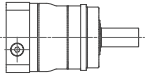
Ordering code – Planetary gearbox



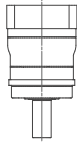
Mounting positions and clamping hub diameters

Clamping hub diameter
(see technical data sheet for possible diameters)

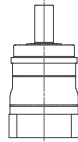
B5
Horizontal



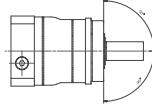
V1
Output vertical downwards



V3
Output vertical upwards



S
Can be tilted $\pm 90^\circ$
from a horizontal position



Code letter	mm	Code letter	mm
B	11	I	32
C	14	K	38
E	19	M	48
G	24	N	55
H	28	O	60

Intermediate sizes possible using bushings with a minimum thickness of 1 mm.

For information purposes only – not required when placing orders!

Exceptions:

- The mounting position of TP+ 2000 / 4000 must be specified.
- DP+ / HDP+ products are designed for mounting position B5 as standard!

If the mounting position is different, contact WITTENSTEIN alpha without fail.

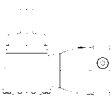
Ordering code – Hypoid- / Bevel gearboxes

SPK⁺ 100 S - M F 2 - 50 - 0 E 1 - 1 K 0 1

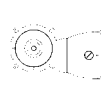
<p>Product type</p> <p>SK⁺ 060 – 180 SPK⁺ 075 – 240 SC⁺ 060 – 180 SPC⁺ 060 – 180 HG⁺ 060 – 180 TK⁺ 004 – 110 TPK⁺ 010 – 4000 TPC⁺ 004 – 180</p>	<p>Size</p> <p>060 – 180 075 – 240 060 – 180 060 – 180 060 – 180 004 – 110 010 – 4000 004 – 180</p>	<p>Ratio</p> <p>50</p>	<p>Number of stages</p> <p>1 = 1 2 = 2 3 = 3 4 = 4</p>	<p>Generation</p> <p>1</p>	<p>Number of output stages</p> <p>0 = 0 1 = 1 2 = 2</p>	<p>Backlash</p> <p>1 = Standard 0 = Reduced</p>	<p>Number of input stages</p> <p>0 = 0 1 = 1</p>	<p>Gearbox variant</p> <p>M = Motor-mounted</p>	<p>Clamping hub diameter</p> <p>(see table)</p>	<p>Motor connection</p> <p>K = Coupling S = Clamping hub socket</p>	<p>Characteristic</p> <p>B = Modular output combination E = ATEX F = Food grade lubrication S = Standard W = Corrosion resistant</p>	<p>Output shape (Shaft)</p> <p>0 = Smooth shaft 1 = Shaft with key 2 = Splined shaft (DIN 5480) 3 = System output 4 = Other 5 = Blind hollow shaft</p>	<p>Output shape (Flange)</p> <p>0 = Flange 3 = System output 4 = Other 5 = Flanged hollow shaft</p>	<p>Output shape (Hollow shaft)</p> <p>5 = Hollow shaft interface / Hollow shaft 6 = Hollow shaft interface / Hollow shaft interface</p>
---	---	-------------------------------	--	-----------------------------------	--	---	--	--	--	---	---	--	---	---

Mounting positions

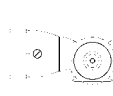
B5 / V3
Output horizontal/
motor shaft vertical upwards



B5 / V1
Output horizontal/
motor shaft vertical downwards



V1 / B5
Output vertical downwards/
motor shaft horizontal



V3 / B5
Output vertical upwards/
motor shaft horizontal

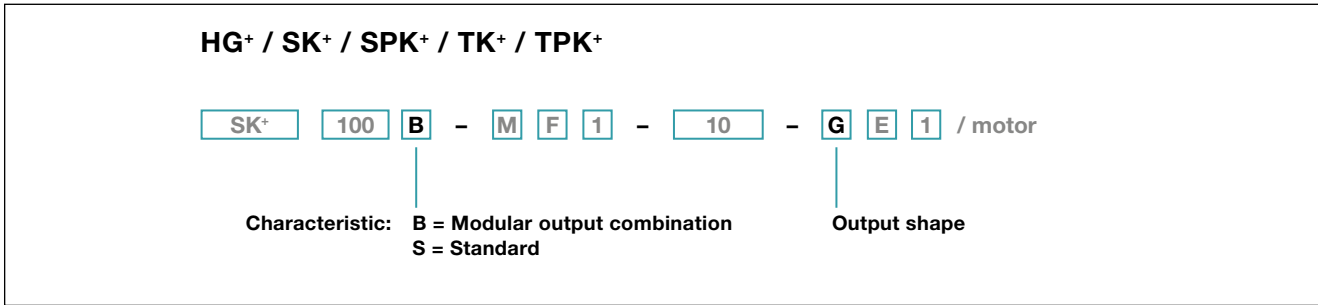
B5 / B5
Output horizontal/
motor shaft horizontal

Please note the orientation when placing your order.

Exceptions:

- The mounting position of TPK⁺ 2000 / 4000 must be specified.
- If the mounting position is different, contact WITTENSTEIN alpha without fail.

Characteristic: Modular output combination (B)



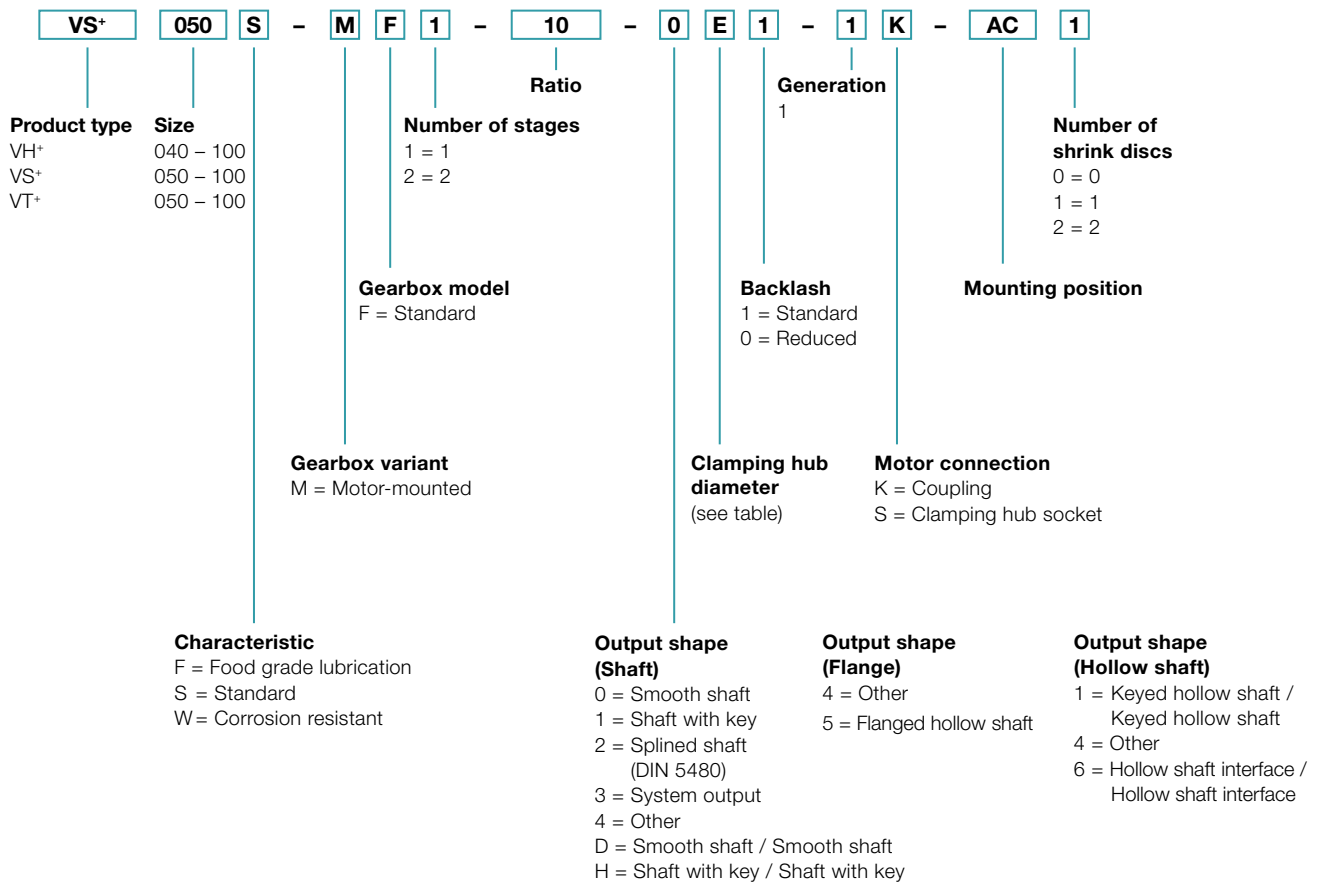
When selecting an output combination from the modular system, please select the letter „B“ as the characteristic in the ordering code. The digit for the required output shape is the modular matrix system.

Example: If you opt for an SK+ with a smooth shaft and require an additional output in the form of a shaft with key, then select the letter „G“ and enter in the order key under „Output shape“.

		Backward					
		Output shape					
Front							
		Smooth shaft	Shaft with key	Hollow shaft interface	Hollow shaft	Cover	
SK+ / SPK+	 Smooth shaft	D	G	A	-	0*	
	 Shaft with key	E	H	B	-	1*	
	 Splined shaft (DIN 5480)	F	I	C	-	2*	
SPK+	 Blind hollow shaft	O	P	N	-	5*	
TK+	 Flanged hollow shaft	D	G	6	5*	0	
TPK+	 Flange	D	G	6	-	0*	
HG+	 Hollow shaft	D	G	6*	5*	0	

* Standard version: please specify characteristic „S“ in the order code

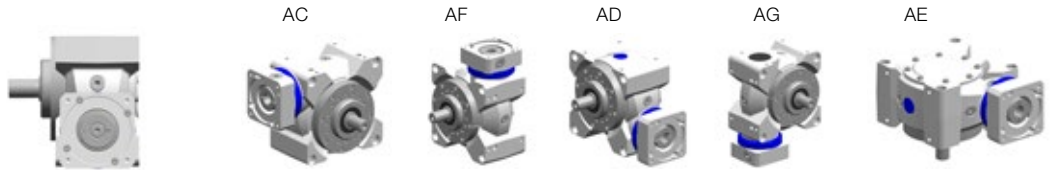
Ordering code – Worm gearboxes



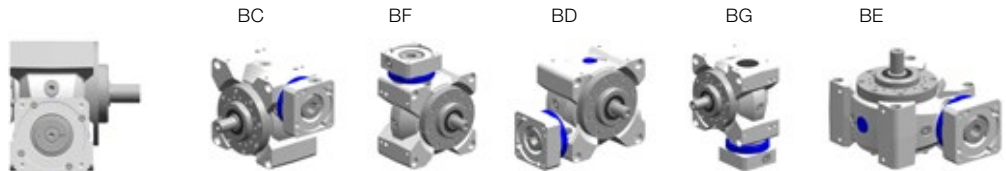
Mounting positions and clamping hub diameters

Mounting position (only relevant for oil volume)

Output side A:
View of motor interface,
Output left
Only valid for VS⁺, VT⁺



Output side B:
View of motor interface,
Output right
Only valid for VS⁺, VT⁺



For VH⁺ and VS⁺ with dual-shaft output or hollow shaft, A and B in the mounting position must be replaced with 0 (zero).

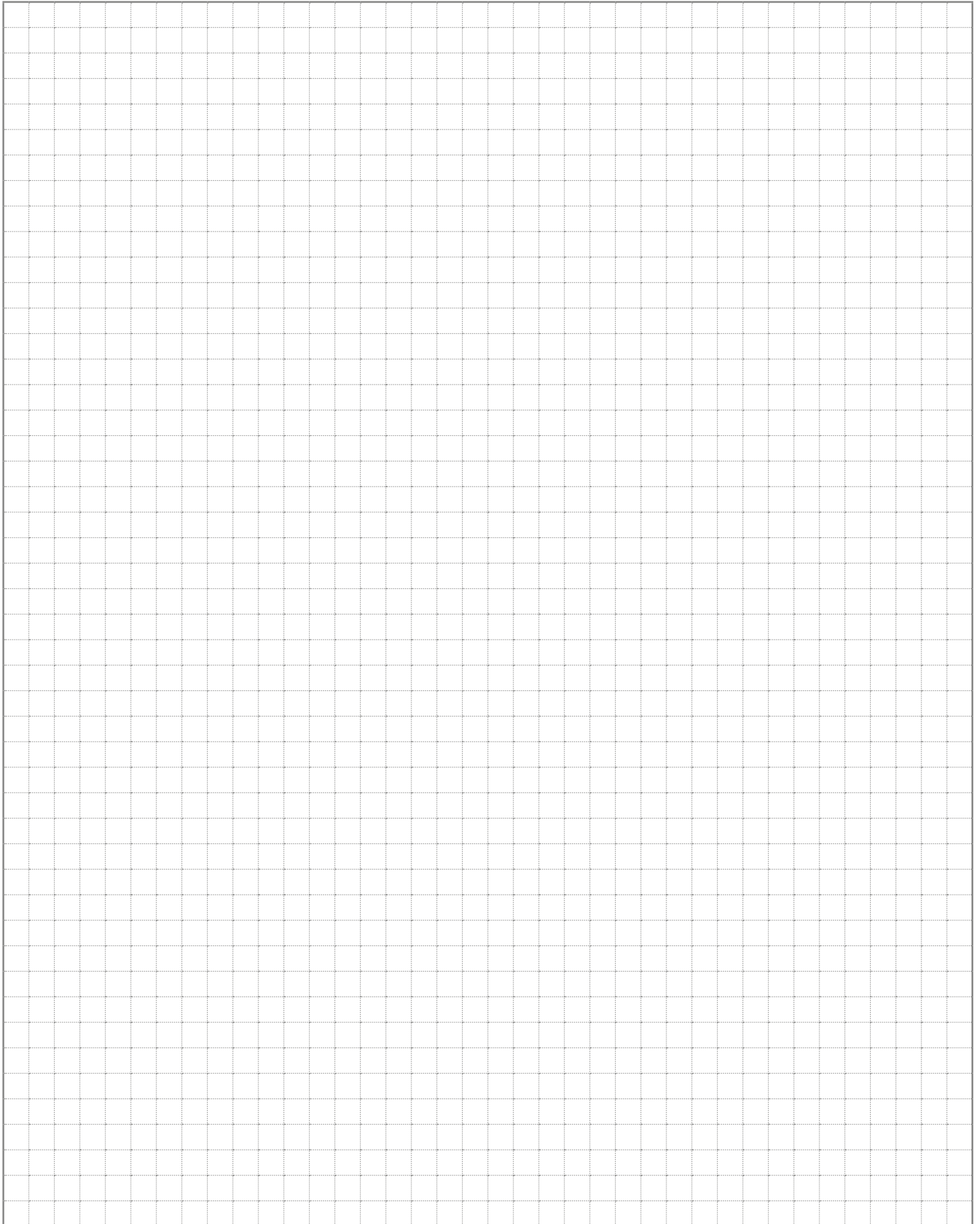
Clamping hub diameter

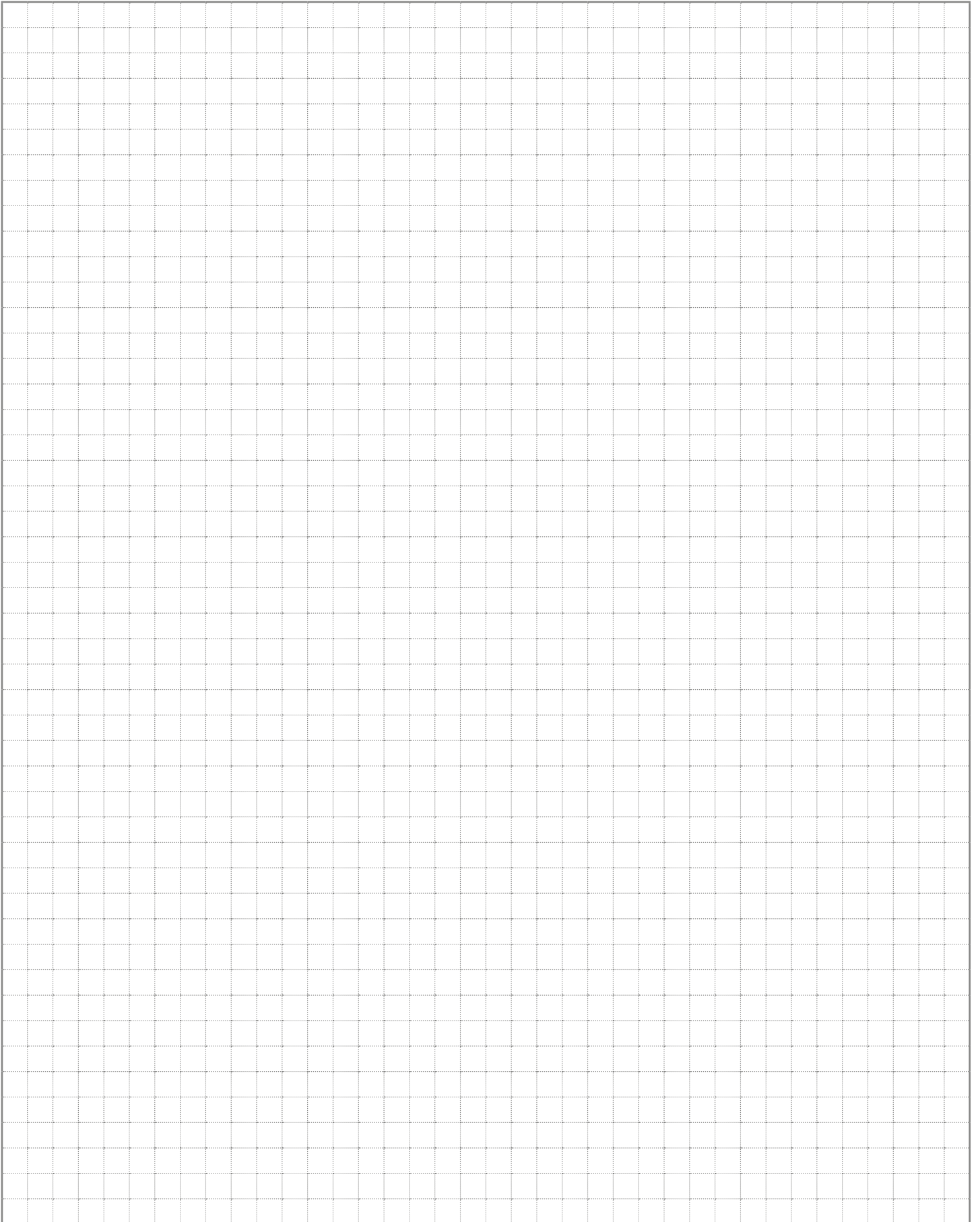
(see technical data sheet for possible diameters)

Code letter	mm	Code letter	mm
B	11	I	32
C	14	K	38
E	19	M	48
G	24	N	55
H	28	O	60

Intermediate diameters possible in combination with a bushing with a minimum thickness of 1 mm.

YOUR NOTE







alpha

WITTENSTEIN Inc. · 1249 Humbracht Circle · Bartlett, IL 60103 · USA · Phone 1-630-540-5300

Subject to technical changes. alpha Advanced Line

WITTENSTEIN alpha – **Intelligent** drive systems

www.wittenstein-us.com

The entire world of drive technology – Catalogs available on request or online at www.wittenstein-us.com/catalogs



alpha Advanced Line. Maximum power density and outstanding positioning accuracy for complex applications.



alpha Basic / Value Line. Reliable, flexible and economical solutions for a wide range of applications.



alpha Linear Systems. Precise, dynamic system solutions for every requirement.



alpha Mechatronic Systems. Energy-efficient, versatile and flexible mechatronic drive systems.