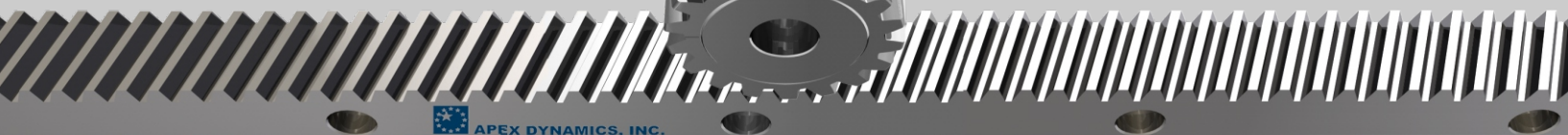
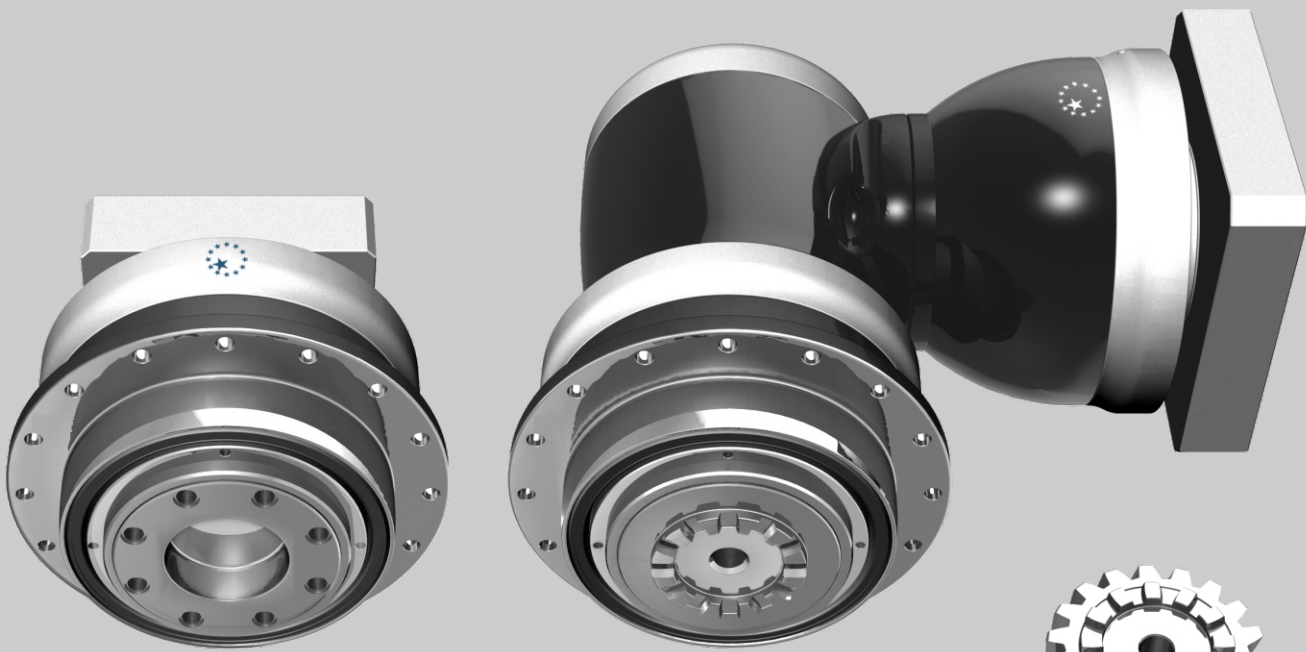




APEX DYNAMICS, INC.

**High Torque
High Precision
Planetary Gearbox**

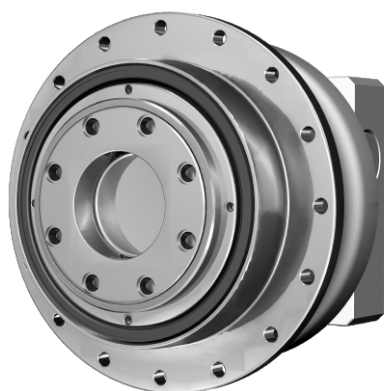
**AP / APK
APC / APCK - SERIES**



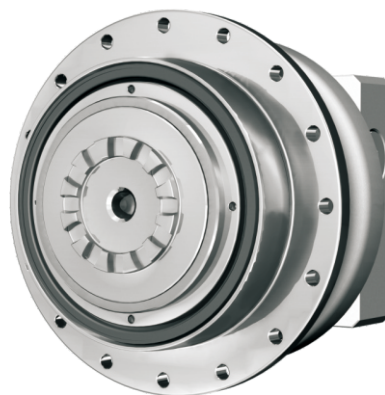
Gearbox Series - AP / APK / APC / APCK

► Features:

- High Torque
- Optimized Output Torque & Inertia Moment
- High Precision
- Long Service Life
- Low Noise
- Limited Temperature Rise
- Support Flange/Curvic Interface
- Suitable for Rack & Pinion Applications



AP



APC



APK



APCK

Order Code

API10 — 005.5⁽¹⁾ / MOTOR

APK110 — 005.5⁽¹⁾ / MOTOR

Motor Type

Ratio

Gearbox Size

Gearbox Size

AP 110 / 140 / 200 / 255 / 285 / 355 / 450

APC 110 / 140 / 200 / 255 / 285 / 355 / 450

APK 110 / 140 / 200 / 255 / 285 / 355 / 450

APCK 110 / 140 / 200 / 255 / 285 / 355 / 450

Ratio

AP/APC (1 Stg.) 5.5

AP/APC (2 Stg.) 22 / 27.5 / 38.5 / 55

AP/APC (3 Stg.) 88 / 110 / 154 / 220

APK/APCK (2 Stg.) 5.5 / 11 / 22 / 27.5 / 38.5 / 55

APK/APCK (3 Stg.) 88 / 110 / 137.5 / 154 / 220 / 385

APK/APCK (4 Stg.) 440 / 550 / 770 / 1078 / 1540 / 2695 / 3850 / 5500

Motor Type : Manufacturer and Model

(1) Ratio ($i = N_{in} / N_{out}$).



©2017 by APEX DYNAMICS, INC.

APEX DYNAMICS, INC. reserves modification and copyrights of all technical specifications, illustrations and drawings in this catalog in allowance for continuous products development and advancement. For the newest data and information, please visit <http://www.apexdyna.com/>

Performance - AP/APC Gearbox

Model No.	Stage	Ratio ⁽¹⁾	AP 110 APC 110	AP 140 APC 140	AP 200 APC 200	AP 255 APC 255	AP 285 APC 285	AP 355 APC 355	AP 450 APC 450	
Nominal Output Torque T _{2N}	1	5.5	370	645	1,430	2,175	4,060	-	-	
		2	22	375	650	1,445	2,200	4,100	6,995	13,810
			27.5	375	655	1,445	2,200	4,105	7,000	13,825
	38.5		375	655	1,450	2,200	4,110	7,010	13,845	
	55		315	655	1,450	2,205	4,110	7,020	13,855	
	3	88	380	655	1,450	2,205	4,115	7,025	13,865	
		110	380	655	1,450	2,205	4,115	7,025	13,870	
		154	380	655	1,450	2,205	4,120	7,030	13,875	
		220	380	655	1,450	2,205	4,120	7,030	13,875	
Emergency Stop Torque T _{2NOT}	Nm	1,2,3	5.5~220	3 times T _{2N}						
Max. Acceleration Torque T _{2B}	Nm	1,2,3	5.5~220	1.5 times T _{2N}						
No Load Running Torque ⁽²⁾	Nm	1	5.5	2.5	7.1	14	22	28	-	-
		2	22~55	1.1	3.7	8	12	18	17	26
		3	88~220	0.7	1.6	4	4.5	6.5	6	12
Backlash ⁽³⁾	arcmin	1,2,3	5.5~220	≤ 1						
Torsional Rigidity	Nm/arcmin	1,2,3	5.5~220	95	205	650	1,200	1,800	2,850	5,700
Nominal Input Speed n _{1N}	rpm	1	5.5	3,600	3,000	2,700	2,400	2,100	-	-
		2	22~55	4,600	4,000	3,700	3,400	3,100	2,500	2,000
		3	88~220	5,000	4,600	4,000	3,700	3,400	3,100	2,500
Max. Input Speed n _{1B}	rpm	1	5.5	6,000	5,000	4,500	4,000	3,500	-	-
		2	22~55	7,000	6,000	5,500	5,000	4,500	4,000	3,500
		3	88~220	7,000	7,000	6,000	5,500	5,000	4,500	4,000
Max. Axial Load F _{2a} ⁽⁴⁾	N	1,2,3	5.5~220	4,070	8,530	17,000	26,900	39,200	101,500	143,700
Max. Tilting Moment M _{2k} ⁽⁴⁾	Nm	1,2,3	5.5~220	480	1,310	3,530	5,920	9,230	29,100	63,300
Service Life ⁽⁵⁾	hr	1,2,3	5.5~220	20,000						
Operating Temp.	°C	1,2,3	5.5~220	-10° C ~ 90° C						
Degree of Gearbox Protection		1,2,3	5.5~220	IP65						
Lubrication		1,2,3	5.5~220	Synthetic lubrication grease						
Mounting Position		1,2,3	5.5~220	All directions						
Running Noise ⁽²⁾	dB(A)	1	5.5	≤ 64	≤ 66	≤ 66	≤ 68	≤ 68	-	-
		2	22~55	≤ 62	≤ 64	≤ 66	≤ 67	≤ 67	≤ 68	≤ 70
		3	88~220	≤ 62	≤ 64	≤ 66	≤ 66	≤ 67	≤ 67	≤ 68
Efficiency η	%	1	5.5	≥ 97%						
		2	22~55	≥ 94%						
		3	88~220	≥ 92%						

(1) Ratio (i = N_{in} / N_{out}).

(2) These values are measured by gearbox with ratio = 5.5 (1-stage), 55 (2-stage) or 220 (3-stage) at 3,000 rpm without load.

(3) Backlash is measured at 2% of Nominal Output Torque T_{2N}.

(4) Applied to the output flange/curvic center at 100 rpm. The calculation formula please refer to Fig. 1.

(5) Continuous operation is not recommended.

$$\text{Max. Tilting Moment } M_{2K} = \frac{F_{2a} * Y + F_{2r} * (X + Z_2)}{1000}$$

M_{2k} : [Nm]

F_{2a}, F_{2r} : [N]

X, Y, Z₂ : [mm]

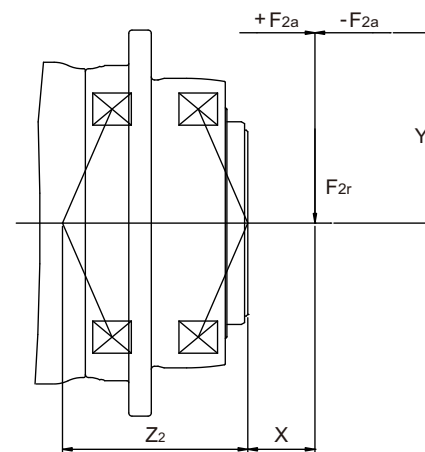


Fig. 1

AP / APK	110	140	200	255	285	355	450
Z ₂ [mm]	106.2	90	122.8	133.2	175.5	220.6	275.3

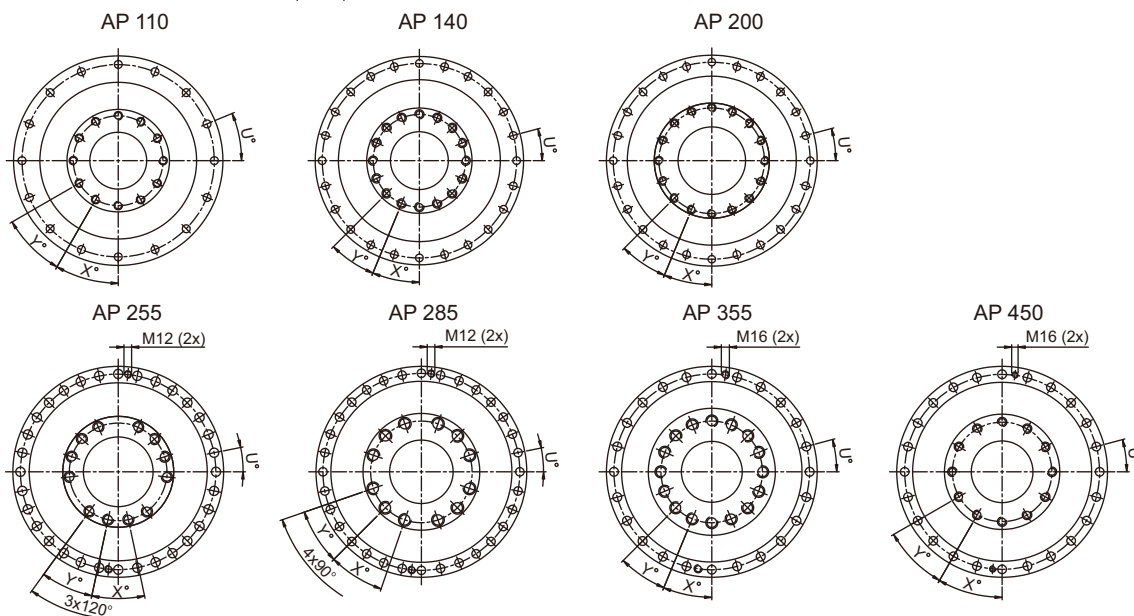
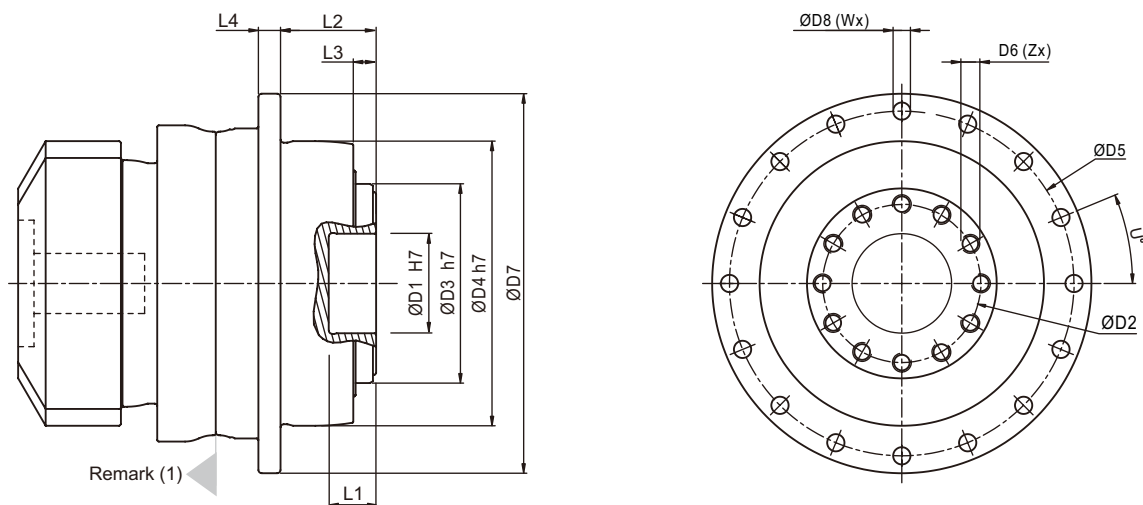
Inertia - AP/APC Gearbox

Model No.		AP/APC 110			AP/APC 140			AP/APC 200			AP/APC 255			AP/APC 285		
$\varnothing^{(A)}$	Stage	1	2	3	1	2	3	1	2	3	1	2	3	1	2	3
14	kg·cm ²	-	-	0.21	-	-	-	-	-	-	-	-	-	-	-	-
19		1.68	0.68	0.63	-	-	0.68	-	-	-	-	-	-	-	-	-
24		4.89	4.52	-	6.83	5.04	4.52	-	-	5.04	-	-	-	-	-	-
28		6.18	-	-	6.69	6.33	-	-	-	6.33	-	-	7.18	-	-	-
32		8.58	-	-	9.6	8.73	-	-	10.1	8.73	-	-	10.1	-	-	-
35		13.89	-	-	15.05	14.04	-	15.79	15.54	14.04	-	17.75	15.54	-	-	17.75
38		18.91	-	-	20.82	19.05	-	21.3	21.32	19.05	-	23.26	21.32	-	27.05	23.26
42		-	-	-	22.71	-	-	23.43	23.2	-	24.84	25.4	-	-	28.95	25.4
48		-	-	-	55.58	-	-	59.06	56.07	-	60.55	61.02	-	64.93	64.66	61.02
55		-	-	-	-	-	-	-	-	-	88.2	-	-	92.99	-	-
60		-	-	-	-	-	-	-	-	-	-	-	-	115.8	-	-

Model No.		AP/APC 355		AP/APC 450	
$\varnothing^{(A)}$	Stage	2	3	2	3
14	kg·cm ²	-	-	-	-
19		-	-	-	-
24		-	-	-	-
28		-	-	-	-
32		-	-	-	-
35		-	-	-	-
38		-	-	-	27.05
42		28.79	25.4	-	28.95
48		92.76	61.02	106.06	64.66
55		105.41	-	118.67	-
60		-	-	127.37	-

(A) \varnothing = Input shaft diameter.

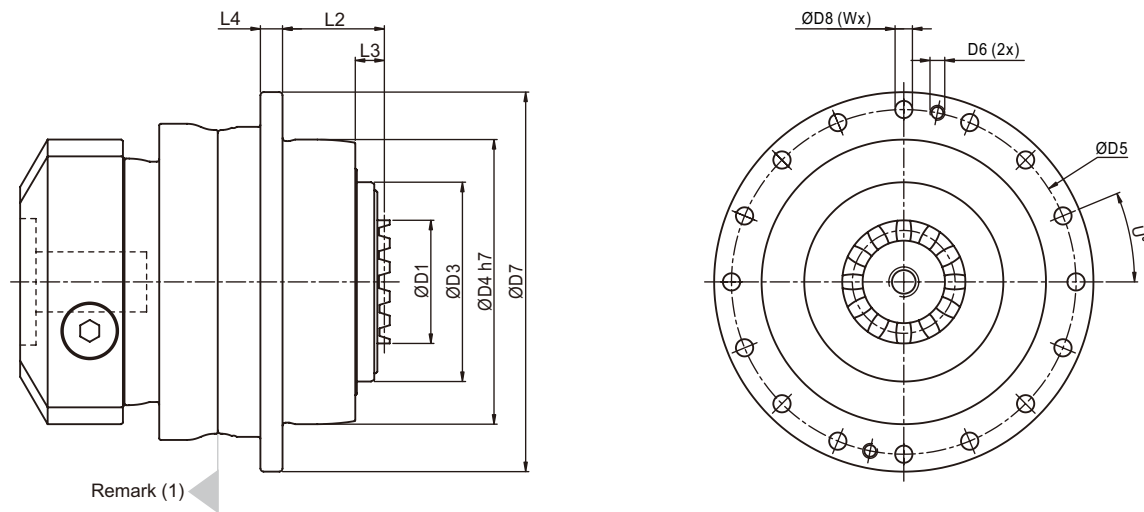
Dimension - AP Gearbox



Dimension	AP 110	AP 140	AP 200	AP 255	AP 285	AP 355	AP 450
D1 H7	40	50	80	100	100	120	155
D2	63	80	125	140	160	200	250
D3 h7	80	100	160	180	200	250	315
D4 h7	110	140	200	255	285	355	450
D5	135	168	233	280	310	385	490
D6 x Pitch x Deep	M8x1.25Px12	M8x1.25Px15	M10x1.5Px20	M16x2Px25	M24x3Px37	M24x3Px32	M30x3.5Px40
D7	147	180	249.5	302	332	415	530
D8	5.5	6.6	9	13.5	13.5	17.5	22
L1	15	15	16	16	16	35	24
L2	29	38	50	66	75	80	85
L3	7	7.5	8.5	13.5	16.5	20	20
L4	8	10	12	18	20	45	60
X in Degree	30	22.5	22.5	24	26	22.5	30
Y in Degree	30	22.5	22.5	24	26	22.5	30
Z	12	16	16	12	12	16	12
U in Degree	22.5	15	15	11.25	11.25	15	15
W	16	24	24	32	32	24	24

(1) Dimensions are related to motor interface. Please contact APEX for details.

Dimension - APC Gearbox



Dimension	APC 110	APC 140	APC 200	APC 255	APC 285	APC 355	APC 450
D1	46	60	80	90	120	120	132
D3	80	100	160	180	200	250	315
D4 h7	110	140	200	255	285	355	450
D5	135	168	233	280	310	385	490
D6	-	-	-	M12	M12	M16	M16
D7	147	180	249.5	302	332	415	530
D8	5.5	6.6	9	13.5	13.5	17.5	22
L2	31.5	40.5	52.5	68.5	77.5	82.5	87.5
L3	9.5	10	11	16	19	22.5	22.5
L4	8	10	12	18	20	45	60
U in Degree	22.5	15	15	11.25	11.25	15	15
W	16	24	24	32	32	24	24

(1) Dimensions are related to motor interface. Please contact APEX for details.

Performance - APK / APCK Gearbox

Model No.	Stage	Ratio ⁽¹⁾	APK 110 APCK 110	APK 140 APCK 140	APK 200 APCK 200	APK 255 APCK 255	APK 285 APCK 285	APK 355 APCK 355	APK 450 APCK 450	
Nominal Output Torque T_{2N}	2	22	375	655	1,445	2,200	4,110	7,010	-	
		27.5	375	655	1,445	2,200	4,110	7,015	-	
		38.5	375	655	1,450	2,200	4,110	7,020	-	
		55	315	655	1,450	2,205	4,115	7,025	-	
	3	88	380	655	1,450	2,205	4,115	7,025	13,870	
		110	380	655	1,450	2,205	4,115	7,025	13,870	
		137.5	380	655	1,450	2,205	4,120	7,030	13,875	
		154	380	655	1,450	2,205	4,120	7,030	13,875	
		220	380	655	1,450	2,205	4,120	7,030	13,200	
		385	380	655	1,450	2,205	4,120	7,030	13,880	
	4	440	380	655	1,450	2,205	4,120	7,030	13,880	
		550	380	655	1,450	2,210	4,120	7,030	13,880	
		770	380	655	1,450	2,210	4,120	7,030	13,880	
		1,078	380	655	1,450	2,210	4,120	7,035	13,880	
		1,540	380	655	1,450	2,210	4,120	7,035	13,885	
		2,695	380	655	1,450	2,210	4,120	7,035	13,885	
3,850		380	655	1,450	2,210	4,120	7,035	13,885		
5,500	315	655	1,450	2,210	4,120	7,035	14,010			
Emergency Stop Torque T_{2NOT}	Nm	2,3,4	22~5,500		2 times T_{2N}					
Max. Acceleration Torque T_{2B}	Nm	2,3,4	22~5,500		1.5 times T_{2N}					
No Load Running Torque ⁽²⁾	Nm	2	22~55	2	3.1	6	13	16	20	-
		3	88~385	1.4	2.4	4.6	7	8.5	10.5	13
		4	440~5,500	0.2	0.3	0.6	0.9	1.2	1.8	2.5
Backlash ⁽³⁾	arcmin	2,3,4	22~5,500		≤ 1.2					
Torsional Rigidity	Nm/arcmin	2	22~55	56	112	389	642	1,275	2,500	-
		3	88~385	56	112	389	642	1,275	2,500	5,100
		4	440~5,500	45	85	310	535	1,050	1,700	2,700
Nominal Input Speed n_{1N}	rpm	2	22~55	2,800	2,700	2,200	2,100	2,000	1,600	-
		3	88~385	3,000	2,800	2,700	2,200	2,100	2,100	2,000
		4	440~5,500	5,500	4,600	4,600	4,000	3,700	3,700	3,400
Max. Input Speed n_{1B}	rpm	2	22~55	6,000	4,500	4,500	4,000	3,000	2,500	-
		3	88~385	6,000	6,000	4,500	4,000	4,000	4,000	3,000
		4	440~5,500	7,000	7,000	7,000	6,000	5,500	5,500	5,000
Max. Axial Load F_{2a} ⁽⁴⁾	N	2,3,4	22~5,500	4,070	8,530	17,000	26,900	39,200	101,500	143,700
Max. Tilting Moment M_{2t} ⁽⁴⁾	Nm	2,3,4	22~5,500	480	1,310	3,530	5,920	9,230	29,100	63,300
Service Life ⁽⁵⁾	hr	2,3,4	22~5,500		20,000					
Operating Temp.	°C	2,3,4	22~5,500		-10° C ~ 90° C					
Degree of Gearbox Protection		2,3,4	22~5,500		IP65					
Lubrication		2,3,4	22~5,500		Synthetic lubrication grease					
Mounting Position		2,3,4	22~5,500		All directions					
Running Noise ⁽²⁾	dB(A)	2,3,4	22~5,500	≤ 68	≤ 68	≤ 70	≤ 70	≤ 72	≤ 74	≤ 76
Efficiency η	%	2	22~5,500	$\geq 94\%$						
		3	88~385	$\geq 92\%$						
		4	440~5,500	$\geq 90\%$						

(1) Ratio ($i = N_{in} / N_{out}$).

(2) These values are measured by gearbox with ratio = 55 (2-stage), 385 (3-stage) or 5,500 (4-stage) at 3,000 rpm without load.

(3) Backlash is measured at 2% of Nominal Output Torque T_{2N} .

(4) Applied to the output flange/curvic center at 100 rpm. The calculation formula please refer to page (3)

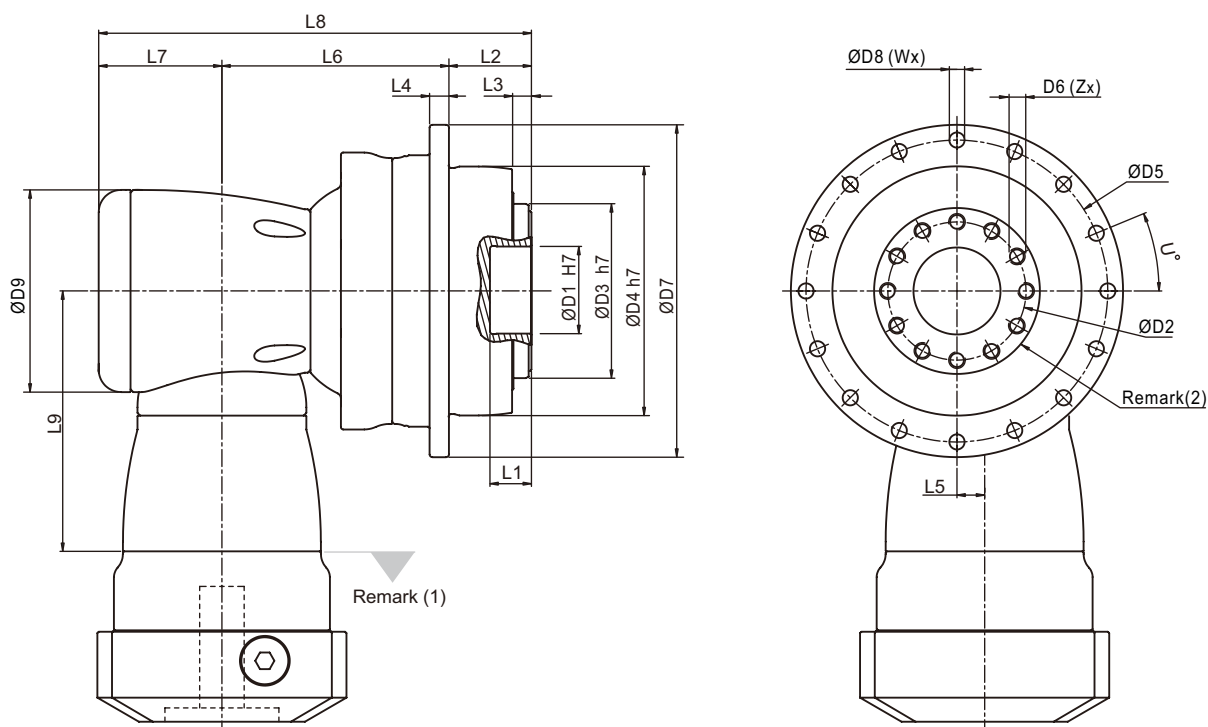
(5) Continuous operation is not recommended.

Inertia - APK / APCK Gearbox

Model No.	APK/APCK 110			APK/APCK 140			APK/APCK 200			APK/APCK 255			APK/APCK 285			APK/APCK 355			APK/APCK 450	
$\varnothing^{(A)}$ Stage	2	3	4	2	3	4	2	3	4	2	3	4	2	3	4	2	3	4	3	4
8	-	-	0.17	-	-	-	-	-	-	-	-	-	-	-	-	-	-	-	-	-
11	-	-	0.17	-	-	-	-	-	-	-	-	-	-	-	-	-	-	-	-	-
14	-	0.47	-	-	-	0.53	-	-	-	-	-	-	-	-	-	-	-	-	-	-
19	1.64	0.63	-	-	1.64	0.68	-	-	1.83	-	-	-	-	-	-	-	-	-	-	-
24	4.74	-	-	5.05	4.74	4.52	-	5.05	5.04	-	-	5.63	-	-	-	-	-	-	-	-
28	-	-	-	6.55	5.96	-	-	6.55	-	-	6.98	7.18	-	-	-	-	-	-	-	-
32	-	-	-	9.47	-	-	10.18	9.47	-	-	10.18	10.1	-	-	-	-	-	-	-	-
35	-	-	-	14.91	-	-	15.21	14.91	-	15.21	15.21	15.54	-	15.21	15.54	-	-	15.54	-	17.75
38	-	-	-	20.69	-	-	20.7	20.69	-	20.7	20.7	21.32	21.69	20.7	21.32	-	20.7	21.32	21.69	23.26
42	-	-	-	-	-	-	22.83	-	-	22.83	-	-	23.59	22.83	23.2	25.28	22.83	23.2	23.59	25.4
48	-	-	-	-	-	-	58.45	-	-	58.45	-	-	59.3	58.45	56.07	61.61	58.45	56.07	59.3	61.02
55	-	-	-	-	-	-	-	-	-	-	-	-	-	-	-	89.67	-	-	-	-

(A) \varnothing = Input shaft diameter.

Dimension - APK (2 Stage) Gearbox (Ratio i = 22 ~ 55)

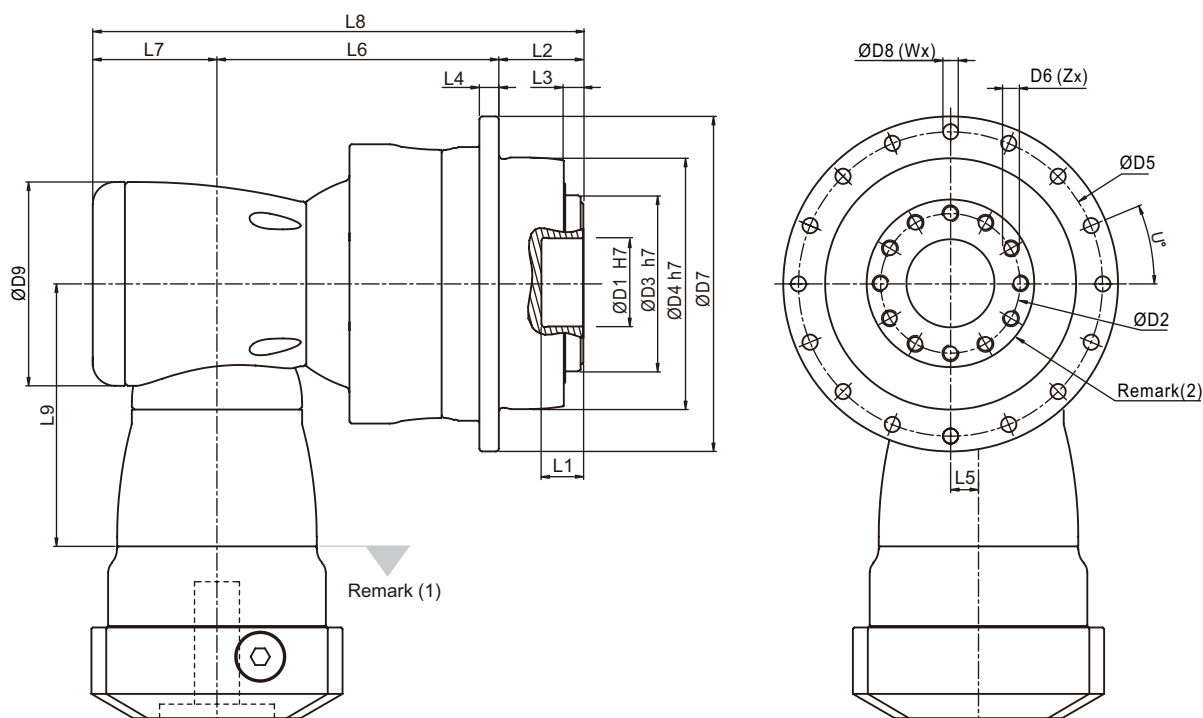


Dimension	APK 110	APK 140	APK 200	APK 255	APK 285	APK 355
D1 H7	40	50	80	100	100	120
D2	63	80	125	140	160	200
D3 h7	80	100	160	180	200	250
D4 h7	110	140	200	255	285	355
D5	135	168	233	280	310	385
D6 x Pitch x Deep	M8x1.25Px12	M8x1.25Px15	M10x1.5Px20	M16x2Px25	M24x3Px37	M24x3Px32
D7	147	180	249.5	302	332	415
D8	5.5	6.6	9	13.5	13.5	17.5
D9	116	163	210	210	255	300
L1	15	15	16	16	16	35
L2	29	38	50	66	75	80
L3	7	7.5	8.5	13.5	16.5	20
L4	8	10	12	18	20	45
L5	17	25	31	31	36	43
L6	114	147.5	175	191.5	249.5	290
L7	68.3	89	115	115	131	165
L8	211.3	274.5	340	372.5	455.5	535
L9	129	173.5	228	228	265.5	294.5
X in Degree	30	22.5	22.5	24	26	22.5
Y in Degree	30	22.5	22.5	24	26	22.5
Z	12	16	16	12	12	16
U in Degree	22.5	15	15	11.25	11.25	15
W	16	24	24	32	32	24

(1) Dimensions are related to motor interface. Please contact APEX for details.

(2) Flange Interface, please refer to page (5).

Dimension - APK (3 Stage) Gearbox (Ratio $i = 88 \sim 385$)

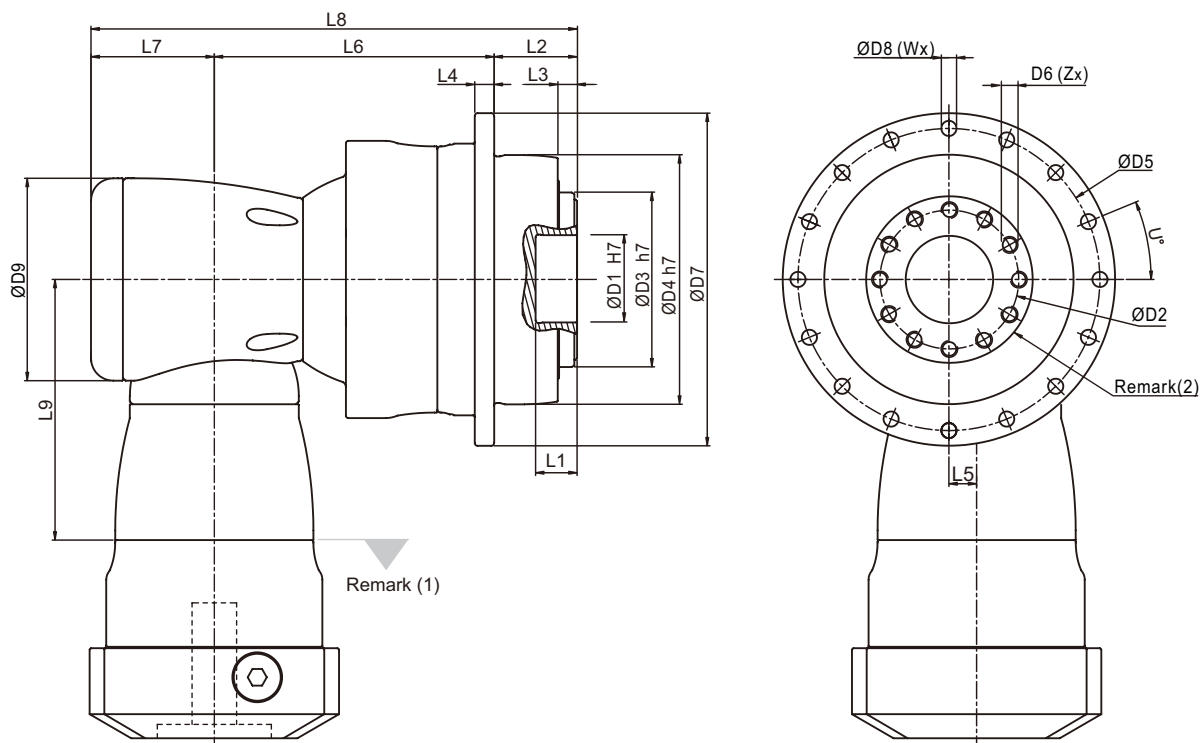


Dimension	APK 110	APK 140	APK 200	APK 255	APK 285	APK 355	APK 450
D1 H7	40	50	80	100	100	120	155
D2	63	80	125	140	160	200	250
D3 h7	80	100	160	180	200	250	315
D4 h7	110	140	200	255	285	355	450
D5	135	168	233	280	310	385	490
D6 x Pitch x Deep	M8x1.25Px12	M8x1.25Px15	M10x1.5Px20	M16x2Px25	M24x3Px37	M24x3Px32	M30x3.5Px40
D7	147	180	249.5	302	332	415	530
D8	5.5	6.6	9	13.5	13.5	17.5	22
D9	94	116	163	210	210	210	255
L1	15	15	16	16	16	35	24
L2	29	38	50	66	75	80	85
L3	7	7.5	8.5	13.5	16.5	20	20
L4	8	10	12	18	20	45	60
L5	13	17	25	31	31	31	36
L6	132	164	216.5	254.5	300	332	447.5
L7	53	68.3	89	115	115	115	131
L8	214	270.3	355.5	435.5	490	527	663.5
L9	114.5	129	173.5	228	228	228	265.5
X in Degree	30	22.5	22.5	24	26	22.5	30
Y in Degree	30	22.5	22.5	24	26	22.5	30
Z	12	16	16	12	12	16	12
U in Degree	22.5	15	15	11.25	11.25	15	15
W	16	24	24	32	32	24	24

(1) Dimensions are related to motor interface. Please contact APEX for details.

(2) Flange Interface, please refer to page (5).

Dimension - APK (4 Stage) Gearbox (Ratio i = 440 ~ 5,500)

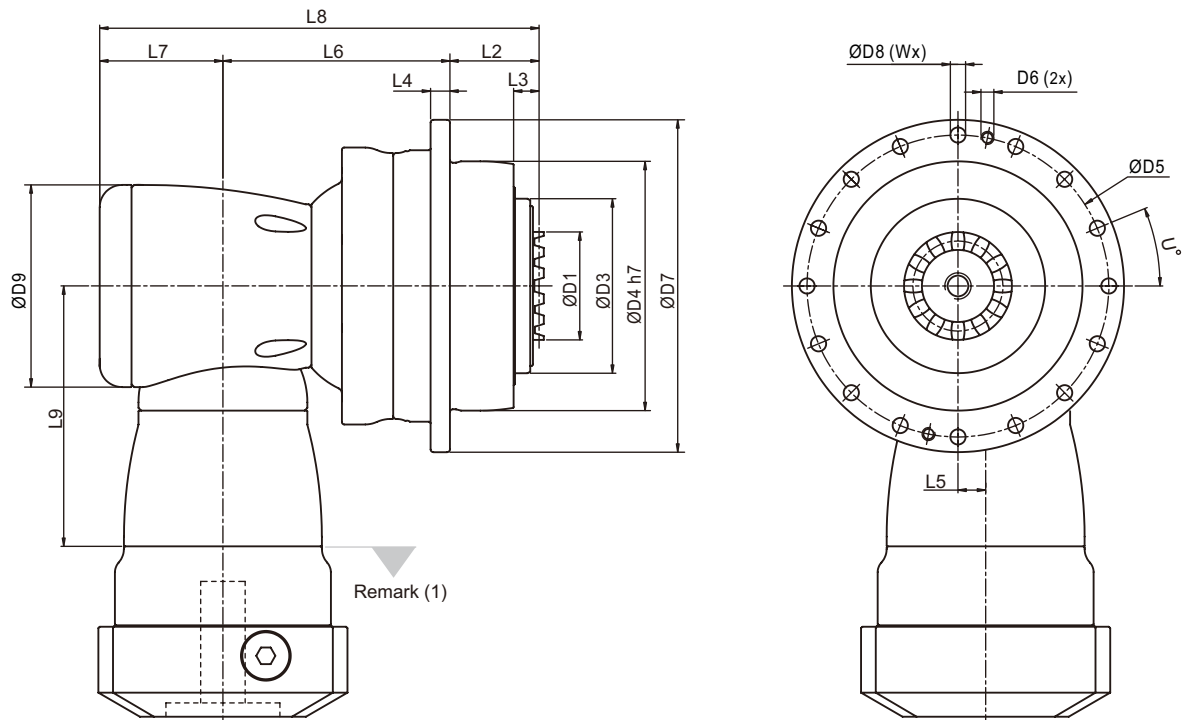


Dimension	APK 110	APK 140	APK 200	APK 255	APK 285	APK 355	APK 450
D1 H7	40	50	80	100	100	120	155
D2	63	80	125	140	160	200	250
D3 h7	80	100	160	180	200	250	315
D4 h7	110	140	200	255	285	355	450
D5	135	168	233	280	310	385	490
D6 x Pitch x Deep	M8x1.25Px12	M8x1.25Px15	M10x1.5Px20	M16x2Px25	M24x3Px37	M24x3Px32	M30x3.5Px40
D7	147	180	249.5	302	332	415	530
D8	5.5	6.6	9	13.5	13.5	17.5	22
D9	94	116	163	210	210	210	255
L1	15	15	16	16	16	35	24
L2	29	38	50	66	75	80	85
L3	7	7.5	8.5	13.5	16.5	20	20
L4	8	10	12	18	20	45	60
L5	13	17	25	31	31	31	36
L6	132	164	216.5	254.5	300	332	447.5
L7	53	68.3	89	115	115	115	131
L8	214	270.3	355.5	435.5	490	527	663.5
L9	114.5	129	173.5	228	228	228	265.5
X in Degree	30	22.5	22.5	24	26	22.5	30
Y in Degree	30	22.5	22.5	24	26	22.5	30
Z	12	16	16	12	12	16	12
U in Degree	22.5	15	15	11.25	11.25	15	15
W	16	24	24	32	32	24	24

(1) Dimensions are related to motor interface. Please contact APEX for details.

(2) Flange Interface, please refer to page (5).

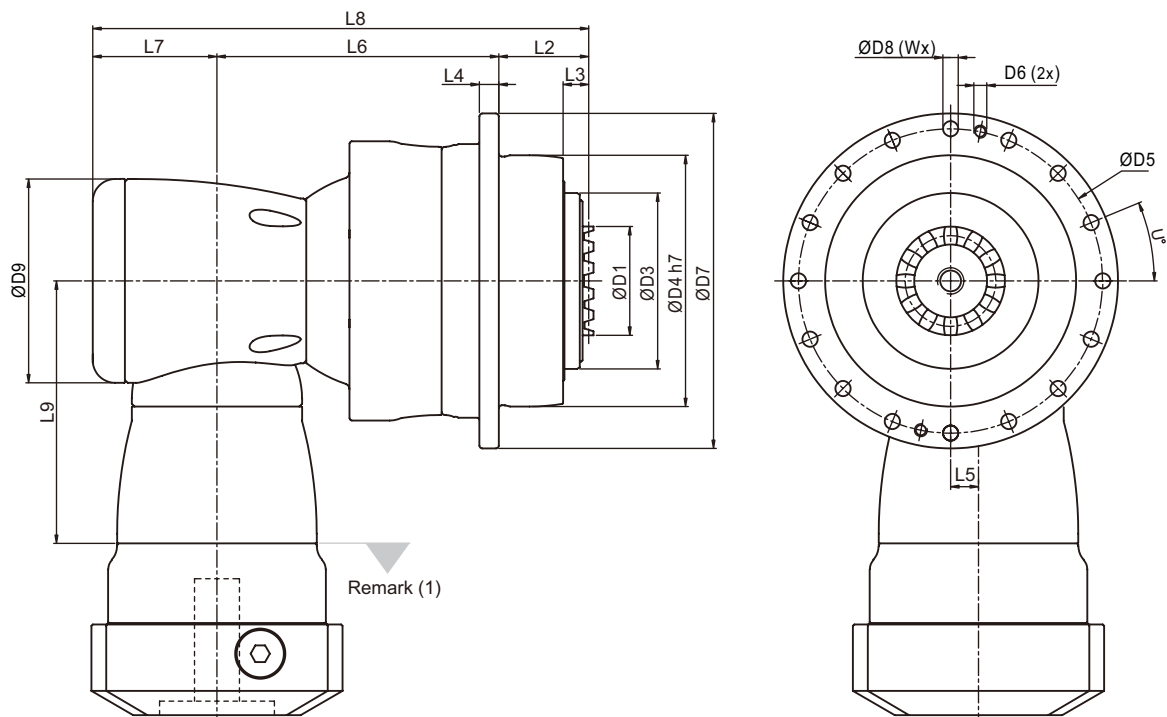
Dimension - APCK (2 Stage) Gearbox (Ratio $i = 22 \sim 55$)



Dimension	APCK 110	APCK 140	APCK 200	APCK 255	APCK 285	APCK 355
D1	46	60	80	90	120	120
D3	80	100	160	180	200	250
D4 h7	110	140	200	255	285	355
D5	135	168	233	280	310	385
D6	-	-	-	M12	M12	M16
D7	147	180	249.5	302	332	415
D8	5.5	6.6	9	13.5	13.5	17.5
D9	116	163	210	210	255	300
L2	31.5	40.5	52.5	68.5	77.5	82.5
L3	9.5	10	11	16	19	22.5
L4	8	10	12	18	20	45
L5	17	25	31	31	36	43
L6	114	147.5	175	191.5	249.5	290
L7	68.3	89	115	115	131	165
L8	213.8	277	342.5	375	458	537.5
L9	129	173.5	228	228	265.5	294.5
U in Degree	22.5	15	15	11.25	11.25	15
W	16	24	24	32	32	24

(1) Dimensions are related to motor interface. Please contact APEX for details.

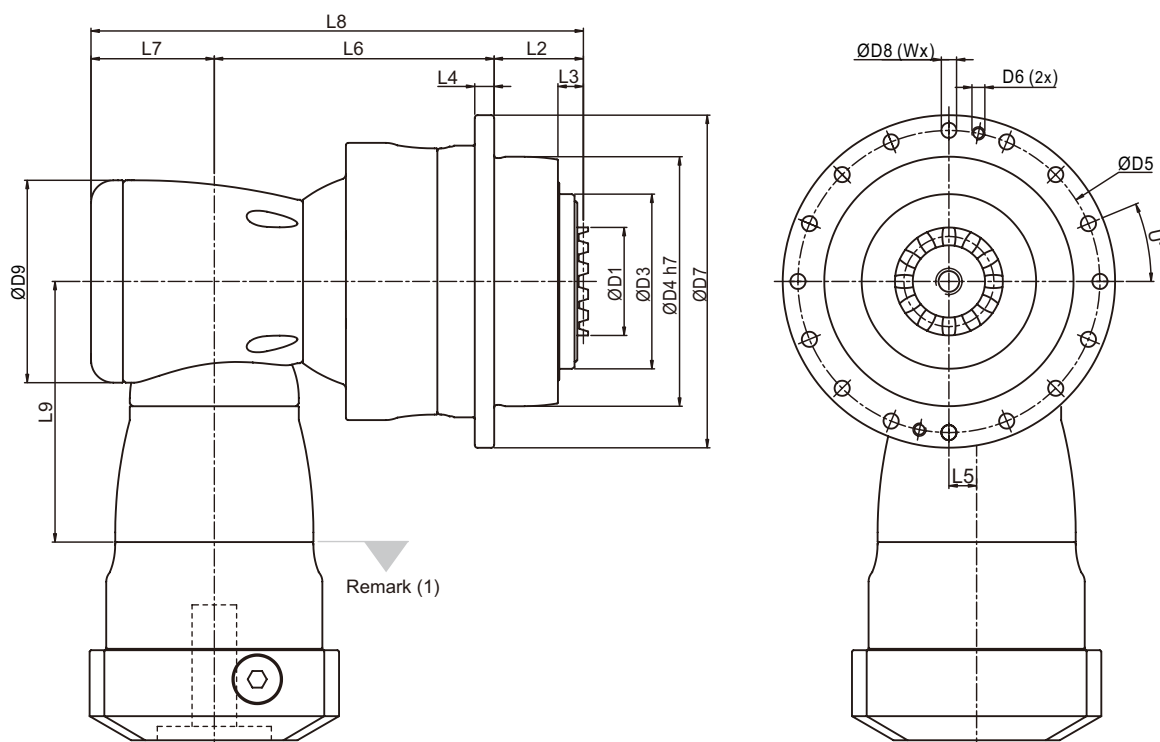
Dimension - APCK (3 Stage) Gearbox (Ratio i = 88 ~ 385)



Dimension	APCK 110	APCK 140	APCK 200	APCK 255	APCK 285	APCK 355	APCK 450
D1	46	60	80	90	120	120	132
D3	80	100	160	180	200	250	315
D4 h7	110	140	200	255	285	355	450
D5	135	168	233	280	310	385	490
D6	-	-	-	M12	M12	M16	M16
D7	147	180	249.5	302	332	415	530
D8	5.5	6.6	9	13.5	13.5	17.5	22
D9	94	116	163	210	210	210	255
L2	31.5	40.5	52.5	68.5	77.5	82.5	87.5
L3	9.5	10	11	16	19	22.5	22.5
L4	8	10	12	18	20	45	60
L5	13	17	25	31	31	31	36
L6	132	164	216.5	254.5	300	332	447.5
L7	53	68.3	89	115	115	115	131
L8	216.5	272.8	358	438	492.5	529.5	666
L9	114.5	129	173.5	228	228	228	265.5
U in Degree	22.5	15	15	11.25	11.25	15	15
W	16	24	24	32	32	24	24

(1) Dimensions are related to motor interface. Please contact APEX for details.

Dimension - APCK (4 Stage) Gearbox (Ratio $i = 440 \sim 5,500$)



Dimension	APCK 110	APCK 140	APCK 200	APCK 255	APCK 285	APCK 355	APCK 450
D1	46	60	80	90	120	120	132
D3	80	100	160	180	200	250	315
D4 h7	110	140	200	255	285	355	450
D5	135	168	233	280	310	385	490
D6	-	-	-	M12	M12	M16	M16
D7	147	180	249.5	302	332	415	530
D8	5.5	6.6	9	13.5	13.5	17.5	22
D9	94	116	163	210	210	210	255
L2	31.5	40.5	52.5	68.5	77.5	82.5	87.5
L3	9.5	10	11	16	19	22.5	22.5
L4	8	10	12	18	20	45	60
L5	13	17	25	31	31	31	36
L6	132	164	216.5	254.5	300	332	447.5
L7	53	68.3	89	115	115	115	131
L8	216.5	272.8	358	438	492.5	529.5	666
L9	114.5	129	173.5	228	228	228	265.5
U in Degree	22.5	15	15	11.25	11.25	15	15
W	16	24	24	32	32	24	24

(1) Dimensions are related to motor interface. Please contact APEX for details.

Performance - APK / APCK (2 Stage) Gearbox (Ratio i = 5.5~11)

Model No.		Stage	Ratio ⁽¹⁾	APK 110 APCK 110	APK 140 APCK 140	APK 200 APCK 200	APK 255 APCK 255	APK 285 APCK 285
Nominal Output Torque T_{2N}	Nm	2	5.5	370	645	1,435	2,180	4,080
			11	375	650	1,440	2,195	4,100
Emergency Stop Torque T_{2NOT}	Nm	2	5.5~11	2 times T_{2N}				
Max. Acceleration Torque T_{2B}	Nm	2	5.5~11	1.5 times T_{2N}				
No Load Running Torque ⁽²⁾	Nm	2	5.5~11	5.8	12	25	48	95
Backlash ⁽³⁾	arcmin	2	5.5~11	≤ 1.3				
Torsional Rigidity	Nm/arcmin	2	5.5~11	56	112	389	642	1,275
Nominal Input Speed n_{IN}	rpm	2	5.5~11	3,000	2,300	1,800	1,500	1,100
Max. Input Speed n_{IB}	rpm	2	5.5~11	5,500	4,500	3,500	3,000	2,200
Max. Axial Load F_{2a} ⁽⁴⁾	N	2	5.5~11	4,070	8,530	17,000	26,900	39,200
Max. Tilting Moment M_{2k} ⁽⁴⁾	Nm	2	5.5~11	480	1,310	3,530	5,920	9,230
Service Life ⁽⁵⁾	hr	2	5.5~11	20,000				
Operating Temp.	°C	2	5.5~11	-10° C ~ 90° C				
Degree of Gearbox Protection		2	5.5~11	IP65				
Lubrication		2	5.5~11	Synthetic lubrication grease				
Mounting Position		2	5.5~11	All directions				
Running Noise ⁽²⁾	dB(A)	2	5.5~11	≤ 68	≤ 70	≤ 70	≤ 72	≤ 74
Efficiency η	%	2	5.5~11	$\geq 95\%$				

(1) Ratio ($i = N_{in} / N_{out}$).

(2) These values are measured by gearbox with ratio = 11 (2-stage) at 3,000 rpm without load.

(3) Backlash is measured at 2% of Nominal Output Torque T_{2N} .

(4) Applied to the output flange/curvic center at 100 rpm. The calculation formula please refer to page (3).

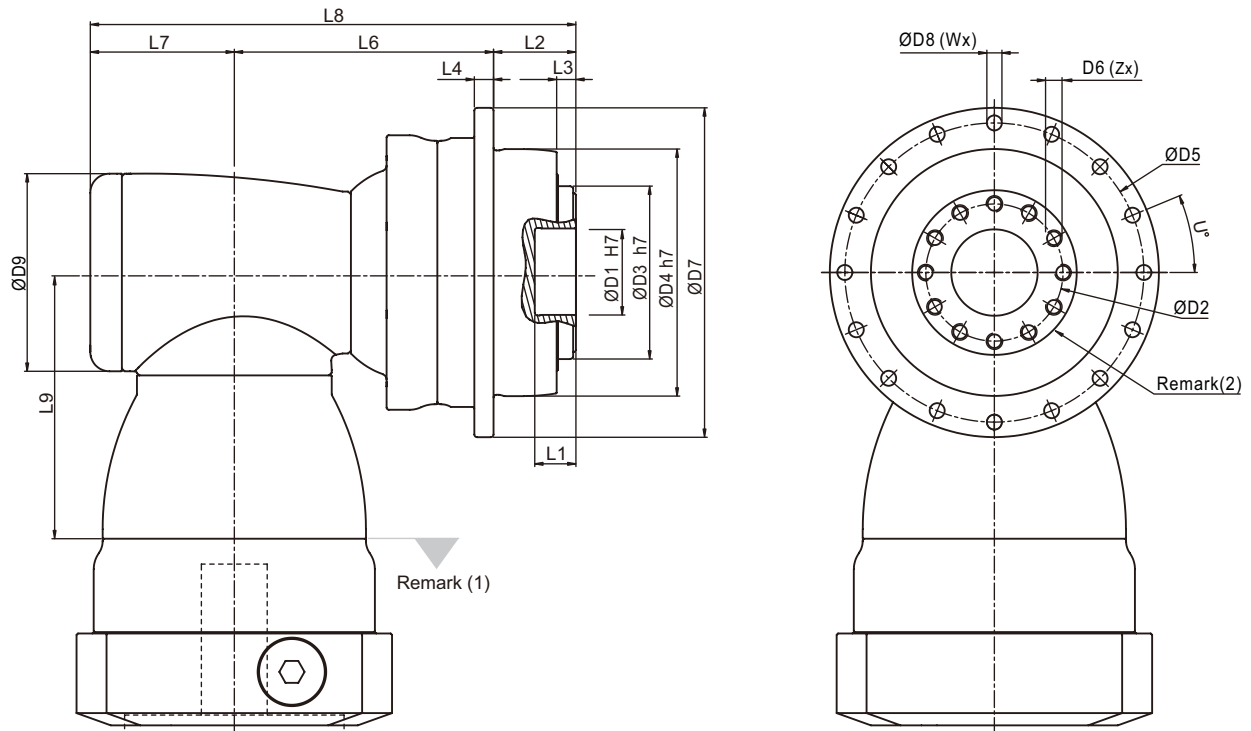
(5) Continuous operation is not recommended.

Inertia - APK / APCK (2 Stage) Gearbox (Ratio i = 5.5~11)

Model No.		APK/APCK 110	APK/APCK 140	APK/APCK 200	APK/APCK 255	APK/APCK 285
$\varnothing^{(A)}$	Stage	2	2	2	2	2
19	kg·cm ²	1.71	-	-	-	-
24		5.05	6.92	-	-	-
28		6.55	6.98	-	-	-
32		9.47	10.18	-	-	-
35		14.91	15.21	15.21	-	-
38		20.69	20.7	20.7	-	-
42		-	22.83	22.83	23.59	-
48		-	58.45	58.45	59.3	61.61
55		-	-	-	86.95	89.67
60		-	-	-	-	112.49

(A) \varnothing = Input shaft diameter.

Dimension - APK (2 Stage) Gearbox (Ratio $i = 5.5 \sim 11$)

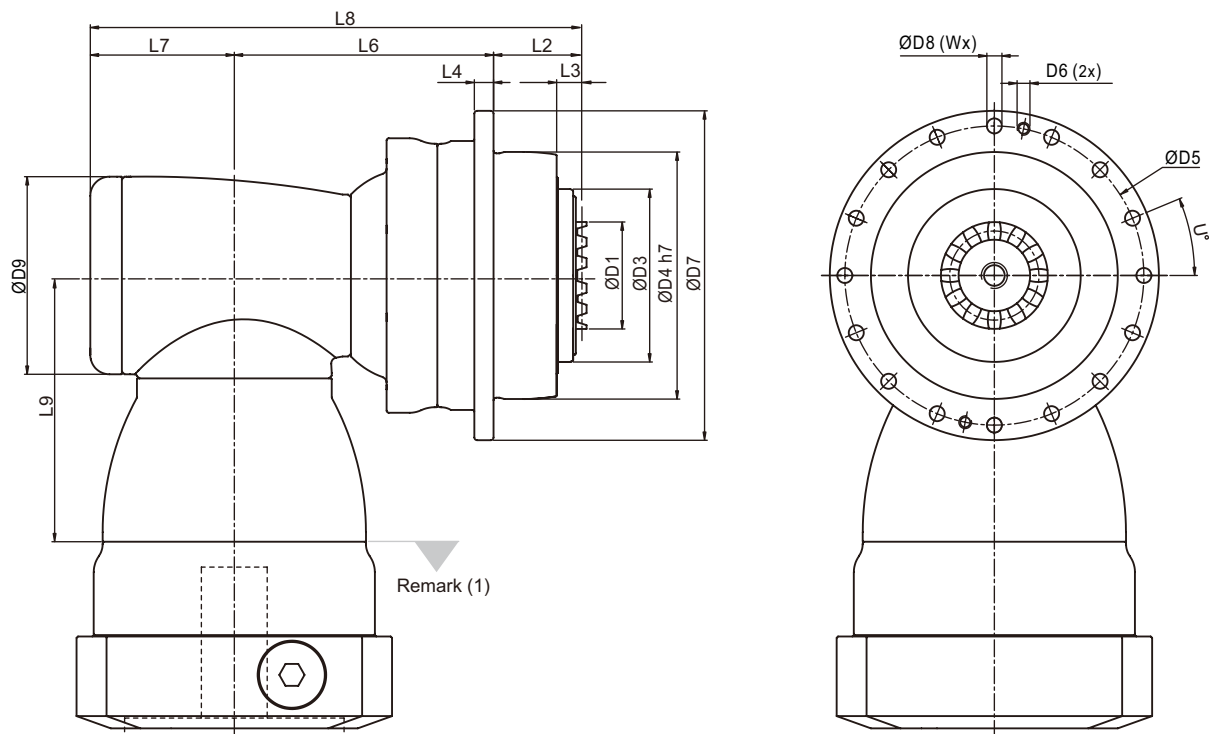


Dimension	APK 110	APK 140	APK 200	APK 255	APK 285
D1 H7	40	50	80	100	100
D2	63	80	125	140	160
D3 h7	80	100	160	180	200
D4 h7	110	140	200	255	285
D5	135	168	233	280	310
D6 x Pitch x Deep	M8x1.25Px12	M8x1.25Px15	M10x1.5Px20	M16x2Px25	M24x3Px37
D7	147	180	249.5	302	332
D8	5.5	6.6	9	13.5	13.5
D9	116	156	156	195	240
L1	15	15	16	16	16
L2	29	38	50	66	75
L3	7	7.5	8.5	13.5	16.5
L4	8	10	12	18	20
L6	124.5	175.5	185	199	265.5
L7	76	97.5	97.5	105.5	141
L8	229.5	311	332.5	370.5	481.5
L9	147.5	196.5	196.5	229	260
X in Degree	30	22.5	22.5	24	26
Y in Degree	30	22.5	22.5	24	26
Z	12	16	16	12	12
U in Degree	22.5	15	15	11.25	11.25
W	16	24	24	32	32

(1) Dimensions are related to motor interface. Please contact APEX for details.

(2) Flange Interface, please refer to page (5).

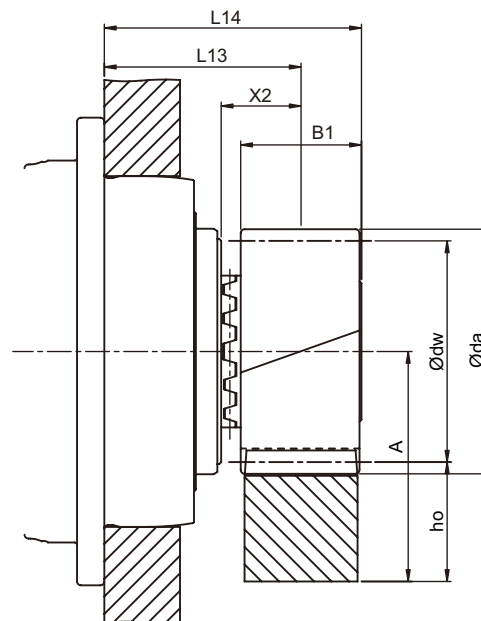
Dimension - APCK (2 Stage) Gearbox (Ratio $i = 5.5 \sim 11$)



Dimension	APCK 110	APCK 140	APCK 200	APCK 255	APCK 285
D1	46	60	80	90	120
D3	80	100	160	180	200
D4 h7	110	140	200	255	285
D5	135	168	233	280	310
D6	-	-	-	M12	M12
D7	147	180	249.5	302	332
D8	5.5	6.6	9	13.5	13.5
D9	116	156	156	195	240
L2	31.5	40.5	52.5	68.5	77.5
L3	9.5	10	11	16	19
L4	8	10	12	18	20
L6	124.5	175.5	185	199	265.5
L7	76	97.5	97.5	105.5	141
L8	232	313.5	335	373	484
L9	147.5	196.5	196.5	229	260
U in Degree	22.5	15	15	11.25	11.25
W	16	24	24	32	32

(1) Dimensions are related to motor interface. Please contact APEX for details.

Pinion with Curvic Coupling



Quality DIN4 / Alloy Steel

Tooth Thickness Tolerance : e24
 Left - Hand Helical
 Helical Angle $\beta = 19^\circ 31' 42'' (19.5283^\circ)$
 Pressure Angle $\alpha = 20^\circ$
 Case - Hardened and Teeth Ground

$$A = h_o + \frac{\text{Ø}dw}{2}$$

Gearbox Model	Mn	Z ⁽¹⁾	X ⁽²⁾	da ⁽³⁾	d ⁽⁴⁾	dw ⁽⁵⁾	B1	X2	L13	L14	L ⁽⁶⁾	Order Code
APC/APCK 110	3	20	0.3897	72	63.662	66	31	20.5	49.5	65	200	A03L20
APC/APCK 140	4	19	0.4102	91.92	80.639	83.92	41	25.5	63.5	84	253.335	A04L19
APC/APCK 200	5	19	0.4002	114.8	100.798	104.8	51	30.5	80.5	106	316.666	A05L19
APC/APCK 255	6	19	0.4035	137.8	120.958	125.8	61	35.5	101.5	132	380	A06L19
APC/APCK 285	8	19	0.4108	183.85	161.277	167.85	81	45.5	120.5	161	506.667	A08L19
APC/APCK 355	8	19	0.4108	183.85	161.277	167.85	81	45.5	125.5	166	506.667	A08L19
APC/APCK 450	10	18	0.4257	219.5	190.986	199.5	101	55.5	140.5	191	600	A10L18

(1) Number of teeth (2) Profile modification factor (3) Diameter of addendum circle (4) Pitch circle diameter (5) Working pitch circle diameter
 (6) Pitch circle length $L = \pi \times d$

Pinion material carburized and quenched, surface hardness reached 60 HRC.
 Teeth surface ground to reduce noise and improve wear resistance.

■ Table I. The max permitted torque and feed-force of rack and pinion.

Gearbox Model	Unit	Mn	Z ⁽¹⁾	dw ⁽²⁾	F _{2T} ⁽³⁾	T _{2B} ⁽⁴⁾	M
		[mm]		[mm]	[N]	[Nm]	[kg]
APC/APCK 110		3	20	66	18,535	590	0.92
APC/APCK 140		4	19	83.92	31,003	1,250	1.98
APC/APCK 200		5	19	104.8	48,612	2,450	3.81
APC/APCK 255		6	19	125.8	63,907	3,865	6.61
APC/APCK 285		8	19	167.85	131,265	10,585	15.49
APC/APCK 355 ⁽⁵⁾		8	19	167.85	131,761	10,625	15.49
APC/APCK 450 ⁽⁶⁾		10	18	199.5	204,308	19,510	28.13

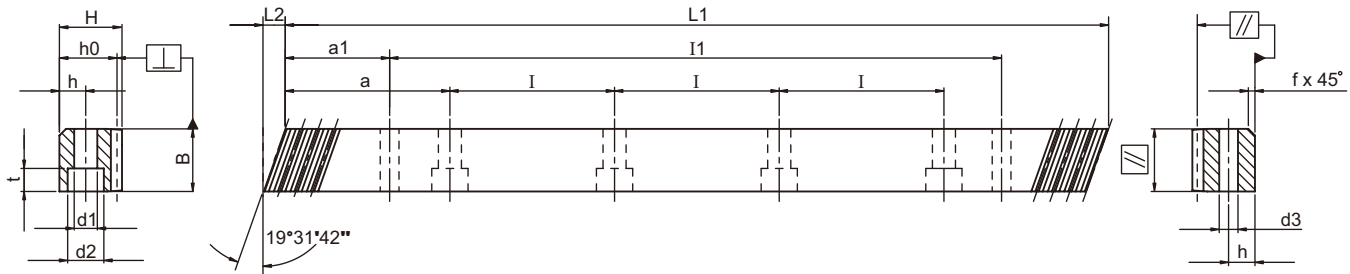
(1) Number of teeth (2) Working pitch circle diameter (3) Maximal Feed-Force (4) Maximal Driving Torque (5) Calculated under the basis of speed 1.5 m/s

- In Table I, the max. permissible torque of the curvic plate pinion and the rack is calculated under the basis of speed 3 m/s. This condition is under providing good lubrication (using the automatic lubrication system or applied grease manually every day), the tooth root strength factor $SF \geq 1.4$, teeth surface strength coefficient $SH \geq 1$, the safety factor $SB \approx 1$ and the required service life of 20,000 hours. By higher speed, the max. permissible torque reduced. The user needs to increase the safety factor for the application. Please visit APEX website (www.apexdyna.com/) for the backlash value by different center height.

Rack with Helical Teeth

Quality 5 / Alloy Steel

Tooth Thickness Tolerance : $-15 \sim 0 \mu\text{m}$
 Right - Hand Helical
 Helical Angle $\beta = 19^\circ 31' 42'' (19.5283^\circ)$
 Pressure Angle $\alpha = 20^\circ$
 Material Carburized, Induction Hardened
 Teeth Ground and all Sides Ground

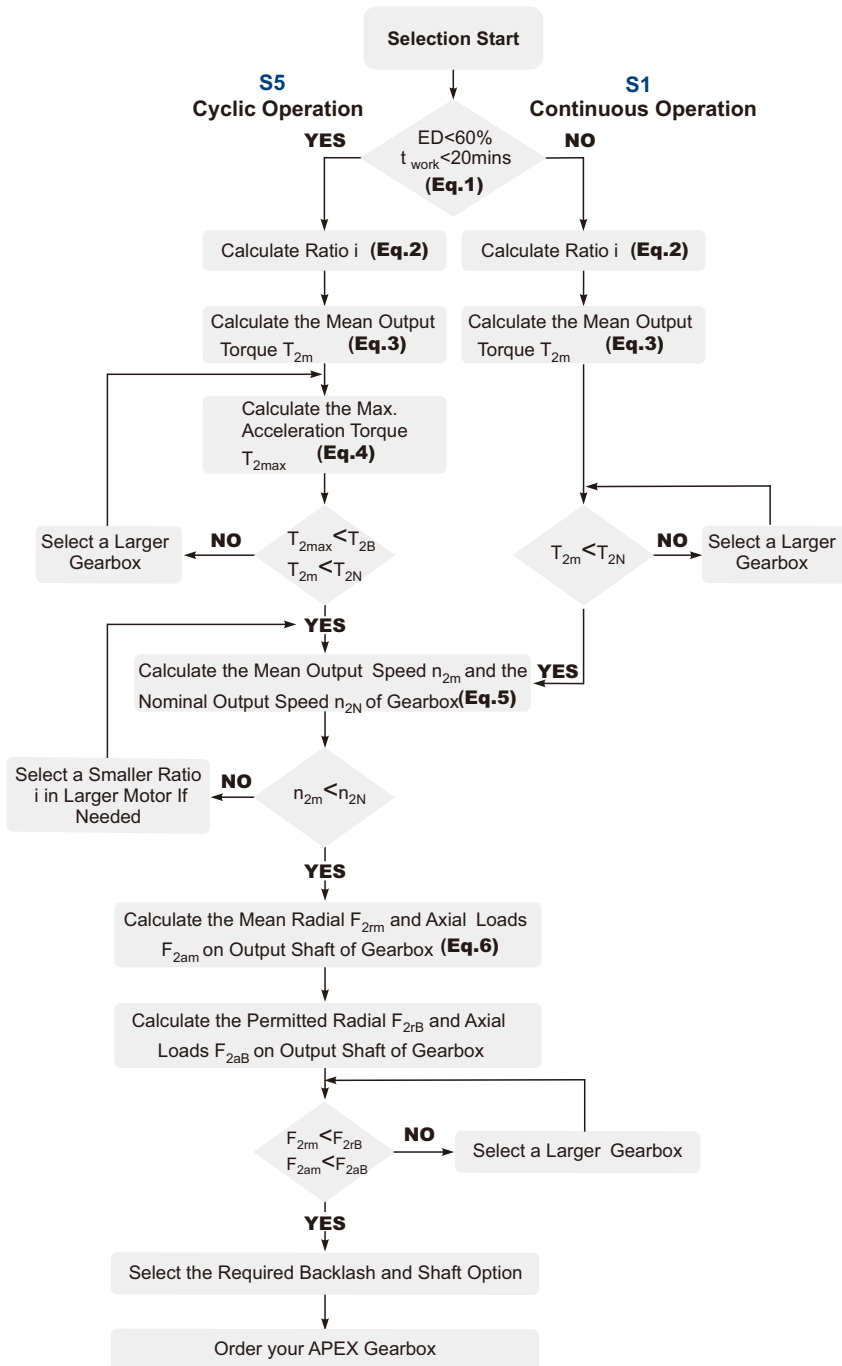


Mn	Pt ⁽¹⁾	L1	L2	Teeth No.	B	H	ho	f	a	I	Holes No.	h	d1	d2	t	a1	I1	d3	fp ⁽²⁾	Fp ⁽³⁾	Order Code
3	10.00002	500	10.3	50	29	29	26	2	62.5	125	4	9	10	15	9	35	430	7.7	0.006	0.023	0305R050M10
3	10.00002	1,000	10.3	100	29	29	26	2	62.5	125	8	9	10	15	9	35	930	7.7	0.006	0.026	0305R100M10
3	10.00002	1,250	10.3	125	29	29	26	2	62.5	125	10	9	10	15	9	35	1,180	7.7	0.006	0.026	0305R125M10
3	10.00002	1,500	10.3	150	29	29	26	2	62.5	125	12	9	10	15	9	35	1,430	7.7	0.006	0.026	0305R150M10
3	10.00002	1,750	10.3	175	29	29	26	2	62.5	125	14	9	10	15	9	35	1,680	7.7	0.006	0.026	0305R175M10
3	10.00002	2,000	10.3	200	29	29	26	2	62.5	125	16	9	10	15	9	35	1,930	7.7	0.007	0.03	0305R200M10
4	13.33335	506.67	13.8	38	39	39	35	3	62.5	125	4	12	10	15	9	33.3	433	7.7	0.007	0.025	0405R050C10
4	13.33335	1,000	13.8	75	39	39	35	3	62.5	125	8	12	10	15	9	33.3	933.4	7.7	0.007	0.028	0405R100C10
4	13.33335	1,000	13.8	75	39	39	35	3	62.5	125	8	12	14	20	13	33.3	933.4	11.7	0.007	0.028	0405R100CS0
4	13.33335	1,253.34	13.8	94	39	39	35	3	62.5	125	10	12	10	15	9	33.3	1186.7	7.7	0.007	0.028	0405R125C10
4	13.33335	1,506.67	13.8	113	39	39	35	3	62.5	125	12	12	10	15	9	33.3	1,433.4	7.7	0.007	0.028	0405R150C10
4	13.33335	1,506.67	13.8	113	39	39	35	3	62.5	125	12	12	14	20	13	33.3	1,433.4	11.7	0.007	0.028	0405R150CS0
4	13.33335	1,760	13.8	132	39	39	35	3	62.5	125	14	12	10	15	9	33.3	1,693.4	7.7	0.007	0.028	0405R175C10
4	13.33335	2,000	13.8	150	39	39	35	3	62.5	125	16	12	10	15	9	33.3	1,933.4	7.7	0.008	0.032	0405R200C10
4	13.33335	2,000	13.8	150	39	39	35	3	62.5	125	16	12	14	20	13	33.3	1,933.4	11.7	0.008	0.032	0405R200CS0
5	16.66669	1,000	17.4	60	49	39	34	3	62.5	125	8	12	14	20	13	37.5	925	11.7	0.007	0.028	0505R100C10
6	20.00003	1,000	20.9	50	59	49	43	3	62.5	125	8	16	18	26	17	37.5	925	15.7	0.007	0.028	0605R100C10
8	26.66671	960	28	36	79	79	71	3	60	120	8	25	22	33	21	120	720	19.7	0.008	0.031	0805R100C10
10	33.33339	1,000	35.1	30	99	99	89	3	62.5	125	8	32	33	48	32	125	750	19.7	0.008	0.031	1005R100C10

(1) Teeth Pitch Pt = Module x $\pi / \cos \beta$ (2) fp = Single Pitch Error (3) Fp = Total Pitch Error

■ Please refer to APEX Rack & Pinion catalog for other models

Selection of the optimum gearbox



Recommended (for S5 Cycle Operation)

The general design is given for

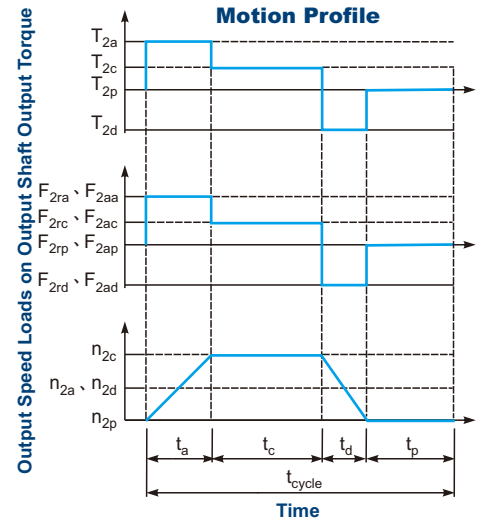
$$\frac{J_L}{i^2} \leq 4 \times J_m$$

The optimal design is given for

$$\frac{J_L}{i^2} \cong J_m$$

J_L Load Inertia

J_m Motor Inertia



$$1. ED = \frac{t_a + t_c + t_d}{t_{cycle}} \times 100\%, t_{work} = t_a + t_c + t_d$$

Index : a. Acceleration, c. Constant,
d. Deceleration, p. Pause (Eq.1)

$$2. i \cong \frac{n_m}{n_{work}}$$

n_m Output Speed of the Motor
 n_{work} Working Speed (Eq.2)

$$3. T_{2m} = 3 \sqrt{\frac{n_{2a} \times t_a \times T_{2a}^3 + n_{2c} \times t_c \times T_{2c}^3 + n_{2d} \times t_d \times T_{2d}^3}{n_{2a} \times t_a + n_{2c} \times t_c + n_{2d} \times t_d}}$$

(Eq.3)

$$4. T_{2max} = T_{mB} \times i \times K_s \times \eta$$

where K_s is

K_s	No. of Cycles / hr
1.0	0 ~ 1,000
1.1	1,000 ~ 1,500
1.3	1,500 ~ 2,000
1.6	2,000 ~ 3,000
1.8	3,000 ~ 5,000

T_{mB} Max. Output Torque of the Motor

η Efficiency of the Gearbox (Eq.4)

$$5. n_{2a} = n_{2d} = \frac{1}{2} \times n_{2c}$$

$$n_{2m} = \frac{n_{2a} \times t_a + n_{2c} \times t_c + n_{2d} \times t_d}{t_a + t_c + t_d}$$

$$n_{2N} = \frac{n_{1N}}{i}$$

(Eq.5)

$$6. F_{2rm} = 3 \sqrt{\frac{n_{2a} \times t_a \times F_{2ra}^3 + n_{2c} \times t_c \times F_{2rc}^3 + n_{2d} \times t_d \times F_{2rd}^3}{n_{2a} \times t_a + n_{2c} \times t_c + n_{2d} \times t_d}}$$

$$F_{2am} = 3 \sqrt{\frac{n_{2a} \times t_a \times F_{2aa}^3 + n_{2c} \times t_c \times F_{2ac}^3 + n_{2d} \times t_d \times F_{2ad}^3}{n_{2a} \times t_a + n_{2c} \times t_c + n_{2d} \times t_d}}$$

(Eq.6)

Glossary

Emergency Stop Torque T_{2NOT}	Nm	The Emergency Stop Torque is the maximum permitted torque at the output of gearbox. This may happen only occasionally and may not exceed 1,000 times during the whole service life.
Max. Acceleration Torque T_{2B}	Nm	Under the Cyclic Operation (S5), the Max. Acceleration Torque is the maximum torque which can be transmitted only briefly to the output of gearbox up to 1,000 cycles/hr.
No Load Running Torque	Nm	The No Load Running Torque is the min. torque to overcome the internal friction of a gearbox without loading*.
Nominal Input Speed n_{1N}	rpm	The Nominal Input Speed is the permitted input speed of gearbox by the Continuous Operation (S1) while the housing temperature does not exceed 90°C. This value is measured at environment temperature 25°C.
Max. Input Speed n_{1B}	rpm	The Max. Input Speed is the max. permitted input speed of gearbox by the Cyclic operation (S5). This value is measured at environment temperature 25°C and serves as the absolute limit of the gearbox.
Backlash	arcmin	<p>The Backlash is the maximum angular measurement between two teeth of gears when the transverse operation occurs (refer to Diagram 1). The arcmin is the measurement unit for the backlash. One arcmin equals 1/60 degree, symbolized as 1'.</p> <p style="text-align: right;">Diagram 1</p>
Torsional Rigidity	Nm/arcmin	<p>Torsional Rigidity is the quotient ($\Delta T / \Delta \theta$) between the applied torque and resulting torsion angle. This value indicates how much torque is needed on the gearbox to rotate the output shaft for 1 arcmin. The Torsional Rigidity can be determined by Hysteresis Curve.</p> <p>Hysteresis Curve When the input shaft is locked, increase torque at the output slowly up to T_{2B} in both directions and then release the torque gradually. According to the measured torque and torsion angle, a closed curve will be acquired as in the Diagram 2.</p> <p style="text-align: right;">Diagram 2</p>
Radial Load And Axial Load	N	<p>The permitted radial and axial loads on output shaft of the gearbox depend on the design of the gearbox supporting bearings.</p> <p>For more information, please refer to APEX website.</p> <p style="text-align: right;">F_{2r} Radial Load F_{2a} Axial Load</p>
Efficiency η	%	The transmission efficiency of the gears inside a gearbox (without friction).
Operating Temperature	°C	The Operating Temperature indicates the temperature of gearbox housing.
Degree of Protection		IP code stands for International Protection standard. The IP65 as example: the first IP number stands for protection degree against dust; the second IP number stands for protection against liquid.
Lubrication		APEX uses synthetic lubrication grease. Alternate greases are available, please contact APEX.
Running Noise	dB(A)	The Running Noise is measured depends on gearbox size, the ratio and the speed*. Higher speed usually induces higher noise level, while higher ratio induces lower noise level.
Moment of Inertia J_1	kg.cm ²	The Moment of Inertia J_1 is a measurement of the effort applied to an object to maintain its momentary condition at rest or rotating.
Breakaway Torque	Nm	The Breakaway Torque is the minimum torque to start the rotation from the input side of gearbox. A smaller size or a higher ratio gearbox requests less Breakaway Torque.
Back Driving Torque	Nm	The Back Driving Torque is the minimum torque to start the rotation from the output side of gearbox. A larger size or a higher ratio gearbox requires greater Back Driving Torque.

* This value is measured at environment temperature 25°C and the input speed 3,000 rpm. If the Nominal Input Speed n_{1N} of gearbox is lower than 3,000 rpm, this value is measured by that specific Nominal Input Speed.

Note



**APEX TAIWAN NORTH
ANDEK AUTOMATION CO.,LTD**
TEL +886-02-82262655
13F-5, No.2, Jian 8th Rd., Jhonghe Dist., New
Taipei City 235, TAIWAN
sales@andtek.com.tw
www.apexdyna.com



**APEX TAIWAN CENTRAL
ANDEK AUTOMATION CO.,LTD**
TEL +886-04-23594286
9F-6, No.925, Sec.4, Taiwan Blvd., Xitun Dist.
Taichung City 407 TAIWAN
sales@andtek.com.tw
www.apexdyna.com



**APEX TAIWAN SOUTH
MEN JENN ELECTRIC CO., LTD.**
TEL +886-06-2337332 ~ 6
No.774, Zhonghua Rd., Yongkang Dist., Tainan
City 710, TAIWAN
menjenn@ms24.hinet.net
www.apexdyna.com



APEX DYNAMICS INC. SHANGHAI
TEL +86-21-69220577
No.128 ZHUYING Road QINGPU Industry Area,
Shanghai, CHINA
sales@apexdyna.cn
www.apexdyna.com



APEX DYNAMICS SHENZHEN, LTD.
TEL +86-755-84516325
No. 1102A of D area , CFG mansion ,Bao Yuan
Road , Bao'an District , Shenzhen ,CHINA.
sales@szapexdyna.com
www.szapexdyna.com



APEX DYNAMICS BEIJING, LTD.
TEL +86-10-69570691
NO.1,YaoPingRoad,SongZhuang Town, Tongzhou
istrict, Beijing, CHINA.
bjapexdyna@163.com
www.bjapex.cn



CHONGQING APEX DYNAMICS CO., LTD.
TEL +86-23-67686860
406, Building 5, No.68, Jinyu Avenue, Beibu New
Area, Chongqing, CHINA
sales@cqaexdyna.com
www.apexdyna.com



APEX (XIAMEN) DYNAMICS TECHNOLOGY CO., LTD.
TEL +86-0592-720-5279
Unit B-3,1F.,No.129,Jingquan Road, Jimei District,
Xiamen, Fujian, CHINA
sales@xmapexdyna.com
www.xmapexdyna.com



APEX DYNAMICS USA, INC.
TEL +1-631-2449040
885 Marconi Avenue Ronkonkoma, NY 11779
U.S.A.
sales@apexdynamicsusa.com
www.apexdynamicsusa.com



APEX DYNAMICS KOREA
TEL +82-31-8179992
1246-32, Seongsuk-dong, Ilsandong-gu, Goyang-city,
Gyeonggi-Do, KOREA (R.O.K) 410-570
sales@apexdynakorea.co.kr
www.apexdynakorea.co.kr



APEX DYNAMICS JAPAN
TEL +81-092-4511202
1-13-3, Sannou, Hakata-ku, Fukuoka-Shi 812-0015,
JAPAN
sales@apexdyna.jp
www.apexdyna.jp



APEX DYNAMICS SINGAPORE PTE LTD
TEL +65-62-626228
3 South Buona Vista Road, #05-15 & #06-15.
SINGAPORE 118136
sales@apexdyna.com.sg
www.apexdyna.com.sg



APEX DYNAMICS (THAILAND) CO., LTD.
TEL +66-2-3266233
73 Soi Ladkrabang 30, Kadkrabang Rd.,Bangkok
10520, THAILAND
sales@apexdyna.co.th
www.apexdyna.co.th



APEX DYNAMICS BV
TEL +31-492-509995
Churchilllaan 101 5705 BK Helmond, NETHERLANDS
sales@apexdyna.nl
www.apexdyna.nl
www.apexdyna.be



**APEX DYNAMICS
POLSKA SP. Z O.O.**
TEL +48-12-6304728
Krakowska 50, 32-083 Balice, POLAND
sales@apexdyna.pl
www.apexdyna.pl



APEX DYNAMICS SPAIN, S.L.
TEL +34-93-6562990
Poligono Industrial Moli dels Frases, Calle Cnº
12,08620 - Sant Vicenç dels Horts, Barcelona, SPAIN
apexdyna@apexdyna.es
www.apexdyna.es



APEX DYNAMICS IRAN.
TEL +98-21-66593517
APT#6, 3rd Flr, No.5, 3rd Kowsar St., Sattarkhan
Ave., Tehran, IRAN
alahyari@farasvco.com
www.apexdyna.ir



APEKS REDUKTOR VE DISLI SAN. TIC. LTD. STI.
TEL +90-232-4589960
10042 Sok.No:10 AOSB Çiğli-İzmir, TURKEY
sales@apexdyna.com.tr
www.apexdyna.com.tr



APEX DYNAMICS AUSTRALIA PTY LTD.
TEL +613-95-852739
36 Taunton Drive, Cheltenham, Victoria 3192
AUSTRALIA.
sales@apexdyna.com.au
www.apexdyna.com.au



APEX DYNAMICS (I) JV
TEL +91-80-55345541
GAT NO. 279, KHED SHIVAPUR BAUG, TALUKA
HAVELI PUNE- 412205 INDIA.
sales@apexdyna.co.in
www.apexdyna.co.in



APEX DYNAMICS FRANCE SAS
TEL +33-160-135097
11 - Burospace F - 91570 -
Bièvres, FRANCE
info@apexdyna.fr
www.apexdyna.fr



APEX DYNAMICS SWEDEN AB
TEL +46-75-242444
Fredrikbergsgatan 2 SE-573 92 Tranås, SWEDEN
sales@apexdyna.se
www.apexdyna.se



PT.APEX DYNAMICS INDONESIA
TEL +62 21 2928 3681
Rukan Aralia Blok HY43 no.11, Harapan Indah 11,
Bekasi - Jawa Barat, INDONESIA 17214
sales@apexdyna.co.id
www.apexdyna.co.id



APEX DYNAMICS GERMANY GMBH
TEL +49-7181-9329955
Spanninger Str. 9, 73650 Winterbach, GERMANY
Langer@apexdynamics.de
www.apexdynamics.de



APEX DYNAMICS CZECH S.R.O.
TEL +420-577-663877
tř. Tomáše Bati 1851 765 02 Otrokovice ČESKÁ
REPUBLIKA
info@apexdynaczech.cz
www.apexdynaczech.cz



APEX DYNAMICS РОССИЯ
TEL +7-495-2255452
+7-495-6462422
г.Москва, ул. Южнопортовая, дом 7, строение
"С", 3-й этаж
info@apexdynarussia.ru
www.apexdynarussia.ru



APEX DYNAMICS UK LIMITED
TEL +44-1827-253340
2 Centurion Way, Centurion Park, Tamworth
Staffs, B77 5PN, UK
sales@apexdynamicsuk.com
www.apexdynamicsuk.com



APEX DYNAMICS SWITZERLAND AG
TEL +41-55-4517020 Talstrasse 24, CH-8852
Aitendorf, SWITZERLAND
info@apexdyna.ch
www.apexdyna.ch



APEX DYNAMICS MOTION SDN BHD
TEL +60 7237 1055
No.1, Jalan Perniagaan Setia 3, Taman
Perniagaan Setia, 81100 Johor Bahru, Johor,
MALAYSIA (Setia Business Park 2 @ Iskandar
Malaysia)
sales@apexdyna.com.sg
www.apexdyna.com.sg



APEX DYNAMICS BRAZIL
TEL +55-47-30298700
Rua Senador Petrônio Portela, 47 - Bloco 5, Zona
Industrial Norte - CEP 89218-575 - Joinville (SC)
luacan@neoyama.com.br
adriano.duarte@neoyama.com.br
www.neoyama.com.br



APEX DYNAMICS ITALY
TEL +39 02.36634521
VIA E. DE AMICIS, 2 – 20091 BRESSO (MI)
info@apexdynamics.it
www.apexdynamics.it



APEX DYNAMICS, INC.

No10. Keyuan 3rd RD.Situn District, Taichung City 40763, Taiwan (R.O.C)
Tel:886-4-24650219 | Fax:886-4-24650118
sales@apexdyna.com | http://www.apexdyna.com

APEX-2017-11-AP/APK/APC/APCK Series-1.0E-TWN

