

Configure a Model Number

Output Shaft Orientation

Type	Prefix
Horizontal	H
Vertical	V

Mounting Style

Type	Prefix
Shaft Mount (Hollow Shaft)	Y
Housing Mount (Solid Shaft)	U
Flange (Solid Shaft)	F
Foot (Solid Shaft)	H

Input Connection

Input Connection	Prefix	
	Reducer	Motor
Free Input Shaft		
Input Motor Adapter	J	JM
W/Input Motor Flange & Hollow Bore	X	XM

Modification

	Prefix
Unit build with special modifications	S
Shrink Disc	S
No special modifications applied	

Motor Power (HP or kW)

(if supplied and/or mounted by Sumitomo; applies only to 1750 RPM)

HP	(kW)	Prefix
1/8	(0.1)	01
1/4	(0.2)	02
1/3	(0.25)	03
1/2	(0.4)	05
3/4	(0.55)	08
1	(0.75)	1
1 1/2	(1.1)	1H
2	(1.5)	2
3	(2.2)	3
5	(3.7)	5
7 1/2	(5.5)	8
10	(7.5)	10
15	(11)	15
20	(15)	20
25	(18.5)	25
30	(22)	30
40	(30)	40
50	(37)	50
60	(45)	60
75	(55)	75

When ordering, the following information should be included:

- NEMA frame size for C-face adapter
- Motor Specification if supplied and/or mounted by Sumitomo (230/460 VAC 60 Hz is supplied in the United States, unless otherwise specified)
- Bushing Bore size must be supplied

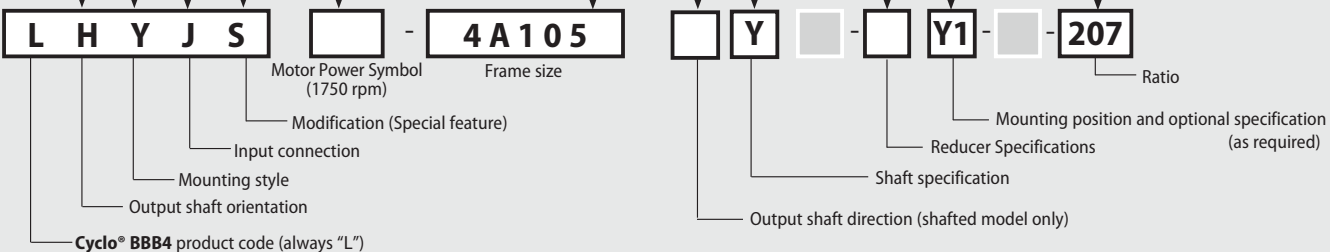
Optional conduit box positions must be specified, otherwise Y1 is supplied.

Frame Size

Single Reduction			
4A100	4B125	4C170	4E175
4A105	4B140	4C175	4E180
4A110	4B145	4D160	4E185
4A115	4B160	4D165	4E190
4A120	4B165	4D170	4E195
4A125	4C140	4D175	4F180
4A140	4C145	4D180	4F185
4A145	4C160	4D185	4F190
4B120	4C165	4E170	4F195
Double Reduction			
4A10DA	4B16DA	4C17DC	4E17DC
4A12DA	4B16DB	4D16DA	4E18DA
4A12DB	4B16DC	4D16DB	4E18DB
4A14DA	4C14DA	4D16DC	4E19DA
4A14DB	4C14DB	4D17DA	4E19DB
4A14DC	4C14DC	4D17DB	4F18DA
4B12DA	4C16DA	4D17DC	4F18DB
4B12DB	4C16DB	4D18DA	4F19DA
4B14DA	4C16DC	4D18DB	4F19DB
4B14DB	4C17DA	4E17DA	
4B14DC	4C17DB	4E17DB	

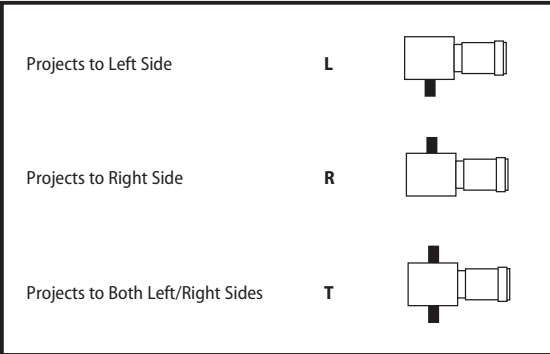
Reducer Specifications

Specification	Suffix
Standard	
Shovel Base	SB
Torque Limiter	TL



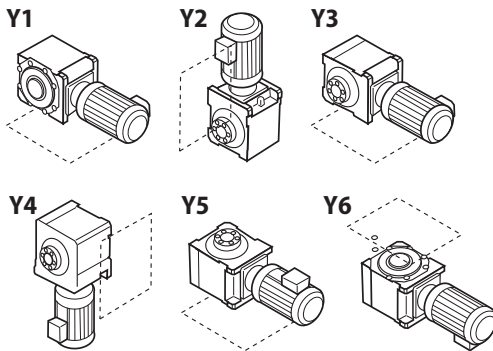
Nomenclature

Driven Shaft Direction (Shafted Model Only)



Shaft Specifications

Input Shaft	OUTPUT SHAFT		Suffix
	Hollow	Solid	
mm	Key (mm)	mm	
Inch	Key (Inch)	Inch	K
mm	Taper-Grip®		M
Inch	Taper-Grip®		Y



Mounting Positions

Nominal and Exact Ratio

Nomenclature Example:

LHYJS – 4A105Y – Y1 – 207

- L** – Cyclo® Bevel Buddybox
- H** – Horizontal Output Shaft
- Y** – Shaft Mount (Hollow Shaft)
- J** – C-Face Input
- S** – Modification (Special feature)
- 4A105** – Frame Size
- Y** – Taper-Grip® Bushing output, inch shaft input
- Y1** – Installation Position
- 207** – Ratio

Nominal and Exact Ratios

BBB4 with Planetary Input				BBB4 with Planetary Input Single Reduction			
Nominal Ratio		Frame Size	Exact Ratio	Nominal Ratio		Frame Size	Exact Ratio
Input	Overall			Input	Overall		
3	11	4A10	10.50	6	21	All	21.0
		4A12	10.89	7	22		22.4
		4A14		8	25		24.5
		4B14		11	28		28.0
		4B16	10.85	13	35		35.2
		4C16		15	39		38.5
		4D16		17	46		45.5
		4D17	10.5	19	53		52.5
		4E17		21	60		59.5
		4E18		25	67		67.2
		4F18	10.82	29	74		73.5
		4E19		35	80		80.0
4F19	43	88		87.5			
4A10	13	4A10	12.99	49	102	101.5	
4A12		12.80	51	112	112.0		
4A14		12.95	55	123	122.5		
4B14			59	129	128.5		
4B16			67	151	150.5		
4C16		12.80	71	179	178.5		
4D16			79	207	206.5		
4D17			87	249	248.5		
4E17		13.09	95	305	304.5		
4E18			119	417	416.5		
4F18					4A10	416.5	
4E19		4	4E19	13.01			
4F19	14.21						
4A10	14.00						
4A12	14.16		104	364	364.0		
4A14			121	424	423.5		
4B14			143	501	500.5		
4B16	14.00		165	578	577.5		
4C16			195	683	682.5		
4D16			231	809	808.5		
4D17	14.32		273	956	955.5		
4E17			319	1117	1116.5		
4E18			377	1320	1319.5		
4F18	14.23	473	1656	1655.5			
4E19		559	1957	1956.5			
4F19		649	2272	2271.5			
4A10	16	4A10	15.36	731	2559	2558.5	
4A12		15.65	841	2944	2943.5		
4A14		16.00	1003	3511	3510.5		
4B14			1247	4365	4364.5		
4B16			1479	5177	5176.5		
4C16		16.26	1849	6472	6471.5		
4D16			2065	7228	7227.5		
4D17			2537	8880	8879.5		
4E17		16.17	3045	10658	10657.5		
4E18			3481	12184	12183.5		
4F18			4437	15530	15529.5		
4E19		15.63	5133	17966	17965.5		
4F19	6177		21620	21619.5			
4A10	5		4A10	16.80	7569	26492	26491.5
4A12		17.12					
4A14		17.50					
4B14							
4B16							
4C16		17.78					
4D16							
4D17							
4E17		17.68					
4E18							
4F18							
4E19		15.47					
4F19							
4A10	18		4A10	16.80			
4A12		17.12					
4A14		17.50					
4B14							
4B16							
4C16		17.78					
4D16							
4D17							
4E17		17.68					
4E18							
4F18							
4E19		15.47					
4F19							
4A10	5		4A10	16.80			
4A12		17.12					
4A14		17.50					
4B14							
4B16							
4C16		17.78					
4D16							
4D17							
4E17		17.68					
4E18							
4F18							
4E19		15.47					
4F19							

Speed Reducers

Nomenclature